

# LMX2582 High Performance, Wideband PLLatinum™ RF Synthesizer With Integrated VCO

## 1 Features

- Output Frequency Range from 20 to 5500 MHz
- Industry Leading Phase Noise Performance
  - VCO Phase Noise:  $-144.5$  dBc/Hz at 1-MHz Offset for 1.8-GHz Output
  - Normalized PLL Noise Floor:  $-231$  dBc/Hz
  - Normalized PLL Flicker Noise:  $-126$  dBc/Hz
  - 47-fs RMS Jitter (12 kHz to 20 MHz) for 1.8 GHz Output
- Input Clock Frequency Up to 1400 MHz
- Phase Detector Frequency Up to 200 MHz, and Up to 400 MHz in Integer-N Mode
- Supports Fractional-N and Integer-N Modes
- Dual Differential Outputs
- Innovative Solution to Reduce Spurs
- Programmable Phase Adjustment
- Programmable Charge Pump Current
- Programmable Output Power Level
- SPI or uWire (4-Wire Serial Interface)
- Single Power Supply Operation: 3.3 V

## 2 Applications

- Test and Measurement Equipment
- Cellular Base-Station
- Microwave Backhaul
- High-Performance Clock Source for High-Speed Data Converters
- Software Defined Radio

## 3 Description

The LMX2582 device is a low-noise, wideband RF PLL with integrated VCO that supports a frequency range from 20 MHz to 5.5 GHz. The device supports both fractional-N and integer-N modes, with a 32-bit fractional divider allowing fine frequency selection. Integrated noise of 47 fs for 1.8-GHz output makes it an ideal low-noise source. Combining best-in-class PLL and integrated VCO noise with integrated LDOs, this device removes the need for multiple discrete devices in high performance systems.

The device accepts input frequencies up to 1.4 GHz, which combined with frequency dividers and programmable low noise multiplier allows flexible frequency planning. The additional programmable low-noise multiplier lets users mitigate the impact of integer boundary spurs. In Fractional-N mode, the device can adjust the output phase by a 32-bit resolution. For applications that need fast frequency changes, the device supports a fast calibration option which takes less than 25  $\mu$ s.

This performance is achieved by using single 3.3-V supply. It supports 2 flexible differential outputs that can be configured as single-ended outputs as well. Users can choose to program one output from the VCO and the second from the channel divider. When not being used, each output can be muted separately.

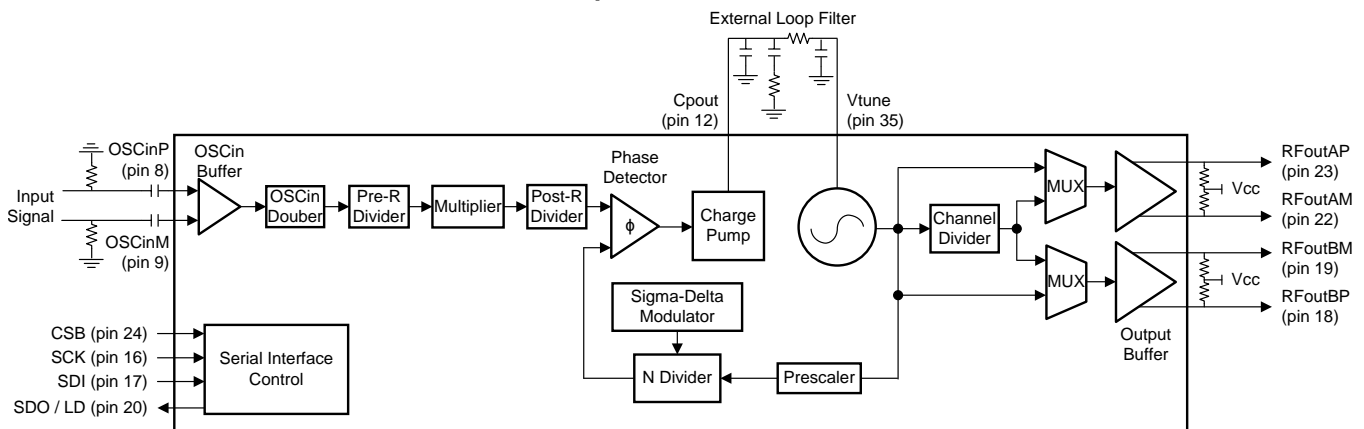
### Device Information (1)

| PART NUMBER | DESCRIPTION | BODY SIZE (NOM)   |
|-------------|-------------|-------------------|
| LMX2582RHAT | WQFN (40)   | 6.00 mm x 6.00 mm |
| LMX2582RHAR |             |                   |

(1) For all available packages, see the orderable addendum at the end of the data sheet.

(2) T = Tape; R = Reel

### Simplified Schematic



## Table of Contents

|  |    |  |    |
|--|----|--|----|
| <b>1 Features</b> .....                        | 1  | 7.5 Programming .....  | 18 |
| <b>2 Applications</b> .....                    | 1  | 7.6 Register Maps .....  | 19 |
| <b>3 Description</b> .....                     | 1  | <b>8 Application and Implementation</b> .....                    | 29 |
| <b>4 Revision History</b> .....                | 2  | 8.1 Application Information .....                                | 29 |
| <b>5 Pin Configuration and Functions</b> ..... | 4  | 8.2 Typical Application .....                                    | 36 |
| <b>6 Specifications</b> .....                  | 6  | <b>9 Power Supply Recommendations</b> .....                      | 38 |
| 6.1 Absolute Maximum Ratings .....             | 6  | <b>10 Layout</b> .....   | 38 |
| 6.2 ESD Ratings .....                          | 6  | 10.1 Layout Guidelines .....                                     | 38 |
| 6.3 Recommended Operating Conditions .....     | 6  | 10.2 Layout Example .....  | 38 |
| 6.4 Thermal Information .....                  | 6  | <b>11 Device and Documentation Support</b> .....                 | 39 |
| 6.5 Electrical Characteristics .....           | 7  | 11.1 Device Support .....  | 39 |
| 6.6 Timing Requirements .....                  | 8  | 11.2 Documentation Support .....                                 | 39 |
| 6.7 Typical Characteristics .....              | 10 | 11.3 Receiving Notification of Documentation Updates .....       | 39 |
| <b>7 Detailed Description</b> .....            | 13 | 11.4 Community Resources .....                                   | 39 |
| 7.1 Overview .....                             | 13 | 11.5 Trademarks .....  | 39 |
| 7.2 Functional Block Diagram .....             | 13 | 11.6 Electrostatic Discharge Caution .....                       | 39 |
| 7.3 Functional Description .....               | 13 | 11.7 Glossary .....  | 39 |
| 7.4 Device Functional Modes .....              | 18 | <b>12 Mechanical, Packaging, and Orderable Information</b> ..... | 40 |

## 4 Revision History

### Changes from Revision B (February 2017) to Revision C

Page

- Changed *Channel Divider Setting as a Function of the Desired Output Frequency* table .....

16

### Changes from Revision A (December 2015) to Revision B

Page

- Removed < 25- $\mu$ s Fast Calibration Mode bullet from *Features* .....
- Updated data sheet text to the latest documentation and translations standards .....
- Changed pin 30 name from: Rext to: NC .....
- Changed CDM value from:  $\pm 1250$  V to:  $\pm 750$  V .....
- Changed parameter name from: Maximum reference input frequency to: reference input frequency .....
- Removed the charge pump current TYP range '0 to 12' and split range into MIN (0) and MAX (12) columns .....
- Added 10 kHz test conditions for the  $PN_{open\ loop}$  parameter .....
- Added HD2, HD3, and Spur\_PFD parameters to the *Electrical Characteristics* table .....
- Changed the high level input voltage minimum value of from: 1.8 to: 1.4 .....
- Moved all typical values in the *Timing Requirements* table to minimum column .....
- Changed text from: the rising edge of the LE signal to: the rising edge of the last CLK signal .....
- Changed text from: the shift registers to an actual counter to: the shift registers to a register bank .....
- Changed high input value from: 700 to: 200 .....
- Changed high input value from: 1400 to: 400 .....
- Changed minimum output frequency step from:  $F_{pd} / PLL\_DEN$  to:  $F_{pd} \times PLL\_N\_PRE / PLL\_DEN / [Channel\ divider\ value]$  .....
- Added content to the *Voltage Controlled Oscillator* section .....
- Changed text from: output dividers to: channel dividers .....
- Changed *Channel Divider Setting as a Function of the Desired Output Frequency* table .....
- Changed output frequency from: 3600 to: 3550 .....
- Changed VCO frequency from: 7200 to: 7100 .....
- Changed Phase shift (degrees) from:  $360 \times MASH\_SEED / PLL\_N\_DEN / [Channel\ divider\ value]$  to:  $360 \times$

16

|  |    |
|--|----|
| MASH_SEED x PLL_N_PRE / PLL_N_DEN / [Channel divider value]" .....                                       | 17 |
| • Changed register 7, 8, 19, 23, 32, 33, 34, 46, and 64 descriptions .....                               | 19 |
| • Added registers 20, 22, 25, 59, and 61 .....   | 19 |
| • Added registers 2, 4, and 62 to <i>Register Table</i> .....  | 20 |
| • Changed register 38 in <i>Register Table</i> .....   | 20 |
| • Changed register descriptions from: Program to default to: Program to Register Map default values..... | 21 |
| • Added <i>R2 Register Field Descriptions</i> .....  | 22 |
| • Added <i>R4 Register Field Descriptions</i> .....  | 22 |
| • Added <i>R62 Register Field Descriptions</i> .....   | 28 |
| • Updated content in the <i>Decreasing Lock Time</i> section .....                                       | 34 |
| • Changed typical application image .....  | 36 |
| • Changed charge pump value from: 4.8 to: 20.....  | 36 |
| • Changed R2 value from: 0.068 to: 68 .....  | 36 |

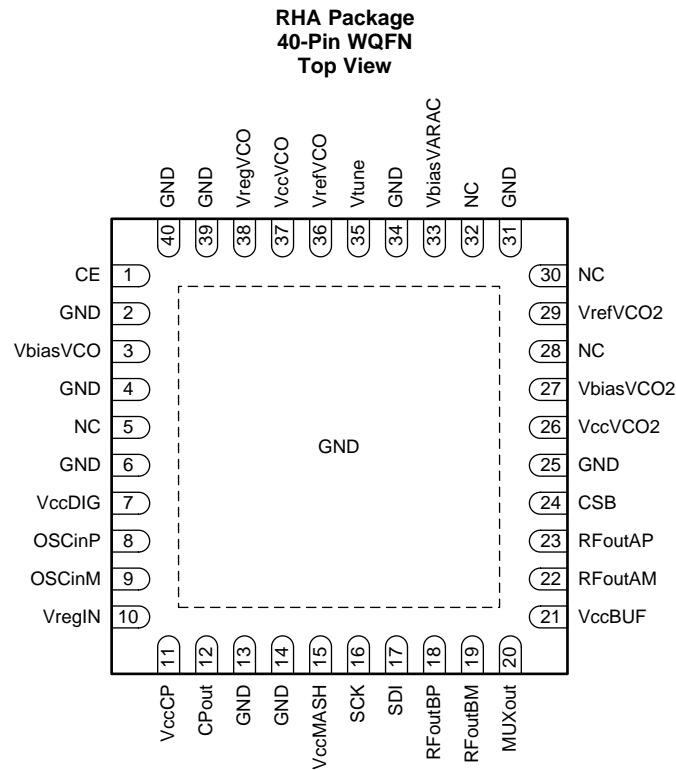
---

**Changes from Original (December 2015) to Revision A**
**Page**

|   |   |
|---|---|
| • Changed device status from product preview to production data, and released full data sheet ..... | 1 |
|---|---|

---

## 5 Pin Configuration and Functions



### Pin Functions

| PIN     |                                     | TYPE   | DESCRIPTION  |
|---------|-------------------------------------|--------|--|
| NAME    | NO.                                 |        |  |
| CE      | 1                                   | Input  | Chip Enable input. Active high powers on the device.   |
| CPout   | 12                                  | Output | Charge pump output. Recommend connecting C1 of loop filter close to pin.   |
| CSB     | 24                                  | Input  | SPI chip select bar or uWire latch enable (abbreviated as LE in <a href="#">Figure 1</a> ). High impedance CMOS input. 1.8 to 3.3-V logic.                                     |
| DAP     | GND                                 | Ground | RFout ground.  |
| GND     | 2, 4, 6, 13, 14, 25, 31, 34, 39, 40 | Ground | VCO ground.  |
| MUXout  | 20                                  | Output | Programmable with register MUXOUT_SEL to be readback SDO or lock detect indicator (active high).   |
| NC      | 5, 28, 30, 32                       | —      | Not connected.   |
| OSCinP  | 8                                   | Input  | Differential reference input clock (+). High input impedance. Requires connecting series capacitor (0.1- $\mu$ F recommended).   |
| OSCinM  | 9                                   | Input  | Differential reference input clock (-). High input impedance. Requires connecting series capacitor (0.1- $\mu$ F recommended).   |
| RFoutAM | 22                                  | Output | Differential output A (-). This output requires a pull up component for proper biasing. A 50- $\Omega$ resistor or inductor may be used. Place as close to output as possible. |
| RFoutAP | 23                                  | Output | Differential output A (+). This output requires a pull up component for proper biasing. A 50- $\Omega$ resistor or inductor may be used. Place as close to output as possible. |
| RFoutBM | 19                                  | Output | Differential output B (-). This output requires a pull up component for proper biasing. A 50- $\Omega$ resistor or inductor may be used. Place as close to output as possible. |
| RFoutBP | 18                                  | Output | Differential output B (+). This output requires a pull up component for proper biasing. A 50- $\Omega$ resistor or inductor may be used. Place as close to output as possible. |
| SCK     | 16                                  | Input  | SPI or uWire clock (abbreviated as CLK in <a href="#">Figure 1</a> ). High impedance CMOS input. 1.8 to 3.3-V logic.   |

**Pin Functions (continued)**

| PIN                  |     | TYPE   | DESCRIPTION   |
|----------------------|-----|--------|---|
| NAME                 | NO. |        |   |
| SDI                  | 17  | Input  | SPI or uWire data (abbreviated as DATA in <a href="#">Figure 1</a> ). High impedance CMOS input. 1.8 to 3.3-V logic.              |
| VbiasVARAC           | 33  | Bypass | VCO varactor internal voltage, access for bypass. Requires connecting 10- $\mu$ F capacitor to VCO ground.                        |
| VbiasVCO             | 3   | Bypass | VCO bias internal voltage, access for bypass. Requires connecting 10- $\mu$ F capacitor to VCO ground. Place close to pin.        |
| VbiasVCO2            | 27  | Bypass | VCO bias internal voltage, access for bypass. Requires connecting 1- $\mu$ F capacitor to VCO ground.                             |
| V <sub>CC</sub> BUF  | 21  | Supply | Output buffer supply. Requires connecting 0.1- $\mu$ F capacitor to RFout ground.   |
| V <sub>CC</sub> CP   | 11  | Supply | Charge pump supply. Recommend connecting 0.1- $\mu$ F capacitor to charge pump ground.  |
| V <sub>CC</sub> DIG  | 7   | Supply | Digital supply. Recommend connecting 0.1- $\mu$ F capacitor to digital ground.  |
| V <sub>CC</sub> MASH | 15  | Supply | Digital supply. Recommend connecting 0.1- $\mu$ F and 10- $\mu$ F capacitor to digital ground.                                    |
| V <sub>CC</sub> VCO  | 37  | Supply | VCO supply. Recommend connecting 0.1- $\mu$ F and 10- $\mu$ F capacitor to ground.  |
| V <sub>CC</sub> VCO2 | 26  | Supply | VCO supply. Recommend connecting 0.1- $\mu$ F and 10- $\mu$ F capacitor to VCO ground.  |
| VrefVCO              | 36  | Bypass | VCO supply internal voltage, access for bypass. Requires connecting 10- $\mu$ F capacitor to ground.                              |
| VrefVCO2             | 29  | Bypass | VCO supply internal voltage, access for bypass. Requires connecting 10- $\mu$ F capacitor to VCO ground.                          |
| VregIN               | 10  | Bypass | Input reference path internal voltage, access for bypass. Requires connecting 1- $\mu$ F capacitor to ground. Place close to pin. |
| VregVCO              | 38  | Bypass | VCO supply internal voltage, access for bypass. Requires connecting 1- $\mu$ F capacitor to ground.                               |
| Vtune                | 35  | Input  | VCO tuning voltage input. This signal should be kept away from noise sources.   |

## 6 Specifications

### 6.1 Absolute Maximum Ratings

over operating free-air temperature range (unless otherwise noted)<sup>(1)</sup>

|                    |   | MIN                               | MAX                         | UNIT            |
|--------------------|---|-----------------------------------|-----------------------------|-----------------|
| V <sub>CC</sub>    | Power supply voltage                                  | -0.3                              | 3.6                         | V               |
| V <sub>IN</sub>    | Input voltage to pins other than V <sub>CC</sub> pins | -0.3                              | V <sub>CC</sub> + 0.3       | V               |
| V <sub>OSCin</sub> | Voltage on OSCin (pin 8 and pin 9)                    | ≤1.8 with V <sub>CC</sub> Applied | ≤1 with V <sub>CC</sub> = 0 | V <sub>pp</sub> |
| T <sub>L</sub>     | Lead temperature (solder 4 s)                         |                                   | 260                         | °C              |
| T <sub>J</sub>     | Junction temperature                                  | -40                               | 150                         | °C              |
| T <sub>stg</sub>   | Storage temperature                                   | -65                               | 150                         | °C              |

- (1) Stresses beyond those listed under *Absolute Maximum Ratings* may cause permanent damage to the device. These are stress ratings only, which do not imply functional operation of the device at these or any other conditions beyond those indicated under *Recommended Operating Conditions*. Exposure to absolute-maximum-rated conditions for extended periods may affect device reliability.

### 6.2 ESD Ratings

|                    |                         | VALUE  | UNIT  |
|--------------------|-------------------------|--|-------|
| V <sub>(ESD)</sub> | Electrostatic discharge | Human-body model (HBM), per ANSI/ESDA/JEDEC JS-001 <sup>(1)</sup>              | ±2500 |
|                    |                         | Charged-device model (CDM), per JEDEC specification JESD22-C101 <sup>(2)</sup> | ±750  |
|                    |                         | Machine model (MM) ESD stress voltage  | ±250  |

- (1) JEDEC document JEP155 states that 500-V HBM allows safe manufacturing with a standard ESD control process. Manufacturing with less than 500-V HBM is possible with the necessary precautions. Pins listed as ±2500 V may actually have higher performance.
- (2) JEDEC document JEP157 states that 250-V CDM allows safe manufacturing with a standard ESD control process. Manufacturing with less than 250-V CDM is possible with the necessary precautions. Pins listed as ±1250 V may actually have higher performance.

### 6.3 Recommended Operating Conditions

over operating free-air temperature range (unless otherwise noted)

|                 |                      | MIN  | NOM | MAX  | UNIT |
|-----------------|----------------------|------|-----|------|------|
| V <sub>CC</sub> | Power supply voltage | 3.15 |     | 3.45 | V    |
| T <sub>A</sub>  | Ambient temperature  | -40  |     | 85   | °C   |
| T <sub>J</sub>  | Junction temperature |      |     | 125  | °C   |

### 6.4 Thermal Information

| THERMAL METRIC <sup>(1)</sup> |  | LMX2582    | UNIT |
|-------------------------------|--|------------|------|
|                               |  | RHA (WQFN) |      |
|                               |  | 40 PINS    |      |
| R <sub>θJA</sub>              | Junction-to-ambient thermal resistance       | 30.5       | °C/W |
| R <sub>θJC(top)</sub>         | Junction-to-case (top) thermal resistance    | 15.3       | °C/W |
| R <sub>θJB</sub>              | Junction-to-board thermal resistance         | 5.4        | °C/W |
| ψ <sub>JT</sub>               | Junction-to-top characterization parameter   | 0.2        | °C/W |
| ψ <sub>JB</sub>               | Junction-to-board characterization parameter | 5.3        | °C/W |
| R <sub>θJC(bot)</sub>         | Junction-to-case (bottom) thermal resistance | 0.9        | °C/W |

- (1) For more information about traditional and new thermal metrics, see the *Semiconductor and IC Package Thermal Metrics* application report.

## 6.5 Electrical Characteristics

 $3.15\text{ V} \leq V_{CC} \leq 3.45\text{ V}$ ,  $-40^{\circ}\text{C} \leq T_A \leq 85^{\circ}\text{C}$ .

Typical values are at  $V_{CC} = 3.3\text{ V}$ ,  $25^{\circ}\text{C}$  (unless otherwise noted)

| PARAMETER                             |   | TEST CONDITIONS  | MIN  | TYP  | MAX  | UNIT               |
|---------------------------------------|---|--|------|------|------|--------------------|
| <b>POWER SUPPLY</b>                   |   |  |      |      |      |                    |
| $V_{CC}$                              | Supply voltage  |  |      | 3.3  |      | V                  |
| $I_{CC}$                              | Supply current  | Single 5.4-GHz, 0-dBm output <sup>(1)</sup>                      |      | 250  |      | mA                 |
| $I_{PD}$                              | Powerdown current   |  |      | 3.7  |      | mA                 |
| <b>OUTPUT CHARACTERISTICS</b>         |   |  |      |      |      |                    |
| $F_{out}$                             | Output frequency  |  | 20   |      | 5500 | MHz                |
| $P_{out}$                             | Typical high output power                                       | Output = 3 GHz, 50- $\Omega$ pullup, single-ended <sup>(2)</sup> |      | 8    |      | dBm                |
| <b>INPUT SIGNAL PATH</b>              |   |  |      |      |      |                    |
| REFin                                 | Reference input frequency                                       |  | 5    |      | 1400 | MHz                |
| REFv                                  | Reference input voltage   | AC-coupled, differential <sup>(3)</sup>                          | 0.2  |      | 2    | Vppd               |
| MULin                                 | Input signal path multiplier input frequency                    |  | 40   |      | 70   | MHz                |
| MULout                                | Input signal path multiplier output frequency                   |  | 180  |      | 250  | MHz                |
| <b>PHASE DETECTOR AND CHARGE PUMP</b> |   |  |      |      |      |                    |
| PDF                                   | Phase detector frequency  |  | 5    |      | 200  | MHz                |
|                                       |   | Extended range mode <sup>(4)</sup>                               | 0.25 |      | 400  | MHz                |
| CPI                                   | Charge pump current   | Programmable   | 0    |      | 12   | mA                 |
| <b>PLL PHASE NOISE</b>                |   |  |      |      |      |                    |
| PLL_flicker_Norm                      | Normalized PLL Flicker Noise <sup>(5)</sup>                     |  |      | -126 |      | dBc/Hz             |
| PLL_FOM                               | Normalized PLL Noise Floor (PLL Figure of Merit) <sup>(5)</sup> |  |      | -231 |      | dBc/Hz             |
| <b>VCO</b>                            |   |  |      |      |      |                    |
| $ \Delta T_{CL} $                     | Allowable temperature drift <sup>(6)</sup>                      | VCO not being recalibrated                                       |      |      | 125  | $^{\circ}\text{C}$ |

- (1) For typical total current consumption of 250 mA: 100-MHz input frequency, OSCin doubler bypassed, pre-R divider bypassed, multiplier bypassed, post-R divider bypassed, 100-MHz phase detector frequency, 0.468-mA charge pump current, channel divider off, one output on, 5.4GHz output frequency, 50- $\Omega$  output pullup, 0-dBm output power (differential). See the [Application and Implementation](#) section for more information.
- (2) For a typical high output power for a single-ended output, with 50- $\Omega$  pullup on both M and P side, register OUTx\_POW = 63. Un-used side terminated with 50- $\Omega$  load.
- (3) There is internal voltage biasing so the OSCinM and OSCinP pins must always be AC-coupled (capacitor in series). Vppd is differential peak-to-peak voltage swing. If there is a differential signal (two are negative polarity of each other), the total swing is one subtracted by the other, each should be 0.1 to 1-Vppd. If there is a single-ended signal, it can have 0.2 to 2 Vppd. See the [Application and Implementation](#) section for more information.
- (4) To use phase detector frequencies lower than 5-MHz set register FCAL\_LPFADJ = 3. To use phase detector frequencies higher than 200 MHz, you must be in integer mode, set register PFD\_CTL = 3 (to use single PFD mode), set FCAL\_HPFD\_ADJ = 3. For more information, see the [Detailed Description](#) section.
- (5) The PLL noise contribution is measured using a clean reference and a wide loop bandwidth and is composed into flicker and flat components.  $PLL_{flat} = PLL_{FOM} + 20 \times \log(F_{vco}/F_{pd}) + 10 \times \log(F_{pd} / 1\text{Hz})$ .  $PLL_{flicker}(\text{offset}) = PLL_{flicker\_Norm} + 20 \times \log(F_{vco} / 1\text{GHz}) - 10 \times \log(\text{offset} / 10\text{kHz})$ . Once these two components are found, the total PLL noise can be calculated as  $PLL_{Noise} = 10 \times \log(10^{PLL_{Flat} / 10} + 10^{PLL_{flicker} / 10})$ .
- (6) Not tested in production. Ensured by characterization. Allowable temperature drift refers to programming the device at an initial temperature and allowing this temperature to drift without reprogramming the device, and still have the device stay in lock. This change could be up or down in temperature and the specification does not apply to temperatures that go outside the recommended operating temperatures of the device.

## Electrical Characteristics (continued)

 $3.15\text{ V} \leq V_{CC} \leq 3.45\text{ V}$ ,  $-40^\circ\text{C} \leq T_A \leq 85^\circ\text{C}$ .

 Typical values are at  $V_{CC} = 3.3\text{ V}$ ,  $25^\circ\text{C}$  (unless otherwise noted)

| PARAMETER                |  | TEST CONDITIONS  | MIN | TYP                   | MAX             | UNIT   |
|--------------------------|--|--|-----|-----------------------|-----------------|--------|
| PN <sub>open loop</sub>  | Output = 900 MHz                             | 10 kHz   |     | -105.7                |                 | dBc/Hz |
|                          |  | 100 kHz  |     | -129.8                |                 |        |
|                          |  | 1 MHz  |     | -150.4                |                 |        |
|                          |  | 10 MHz   |     | -160.6                |                 |        |
|                          |  | 100 MHz  |     | -161.1                |                 |        |
|                          | Output = 1.8 GHz                             | 10 kHz   |     | -99.5                 |                 |        |
|                          |  | 100 kHz  |     | -123.6                |                 |        |
|                          |  | 1 MHz  |     | -144.5                |                 |        |
|                          |  | 10 MHz   |     | -157.2                |                 |        |
|                          |  | 100 MHz  |     | -157.7                |                 |        |
|                          | Output = 5.5 GHz                             | 10 kHz   |     | -89.7                 |                 |        |
|                          |  | 100 kHz  |     | -114.0                |                 |        |
|                          |  | 1 MHz  |     | -134.9                |                 |        |
|                          |  | 10 MHz   |     | -151.3                |                 |        |
|                          |  | 100 MHz  |     | -153.3                |                 |        |
| HD2                      | 2nd Order Harmonic Distortion <sup>(7)</sup> | Testing output A, output at 5 GHz, output power level at 8.5-dBm, single-ended output, other end terminated with 50 Ω. |     | -27                   |                 | dBc    |
| HD3                      | 3rd Order Harmonic Distortion <sup>(7)</sup> |  |     | -25                   |                 | dBc    |
| <b>DIGITAL INTERFACE</b> |  |  |     |                       |                 |        |
| V <sub>IH</sub>          | High level input voltage                     |  | 1.4 |                       | V <sub>CC</sub> | V      |
| V <sub>IL</sub>          | Low level input voltage                      |  | 0   |                       | 0.4             | V      |
| I <sub>IH</sub>          | High level input current                     |  | -25 |                       | 25              | μA     |
| I <sub>IL</sub>          | Low level input current                      |  | -25 |                       | 25              | μA     |
| V <sub>OH</sub>          | High level output voltage                    | Load/Source Current of -350 μA   |     | V <sub>CC</sub> - 0.4 |                 | V      |
| V <sub>OL</sub>          | Low level output voltage                     | Load/Sink Current of 500 μA  |     | 0.4                   |                 | V      |
| SPIW                     | Highest SPI write speed                      |  |     | 75                    |                 | MHz    |
| SPIR                     | SPI read speed                               |  |     | 50                    |                 | MHz    |
| Spur_PFD                 | Phase frequency detector spur                | PFD = 20 MHz, output = 5.4 GHz   |     | -93                   |                 | dBc    |

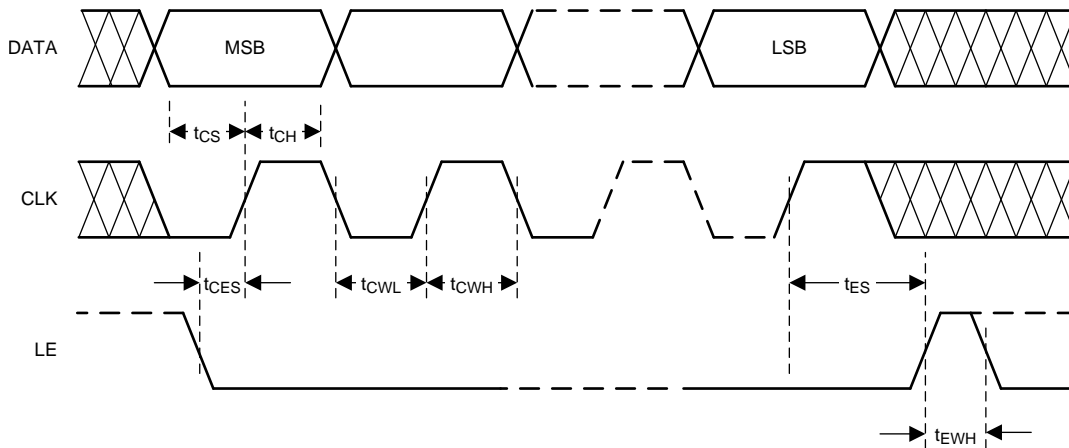
(7) This parameter is verified by characterization on evaluation board, not tested in production.

## 6.6 Timing Requirements

 $3.15\text{ V} \leq V_{CC} \leq 3.45\text{ V}$ ,  $-40^\circ\text{C} \leq T_A \leq 85^\circ\text{C}$ , except as specified. Typical values are at  $V_{CC} = 3.3\text{ V}$ ,  $T_A = 25^\circ\text{C}$ 

|                         |                            | MIN          | TYP | MAX | UNIT |
|-------------------------|----------------------------|--------------|-----|-----|------|
| <b>MICROWIRE TIMING</b> |                            |              |     |     |      |
| tES                     | Clock to enable low time   | See Figure 1 | 5   |     | ns   |
| tCS                     | Data to clock setup time   |              | 2   |     | ns   |
| tCH                     | Data to clock hold time    |              | 2   |     | ns   |
| tCWH                    | Clock pulse width high     |              | 5   |     | ns   |
| tCWL                    | Clock pulse width low      |              | 5   |     | ns   |
| tCES                    | Enable to clock setup time |              | 5   |     | ns   |
| tEWH                    | Enable pulse width high    |              | 2   |     | ns   |





**Figure 1. Serial Data Input Timing Diagram**

There are several considerations for programming:

- A slew rate of at least 30 V/ $\mu$ s is recommended for the CLK, DATA, LE
- The DATA is clocked into a shift register on each rising edge of the CLK signal. On the rising edge of the last CLK signal, the data is sent from the shift registers to a register bank
- The LE pin may be held high after programming and clock pulses are ignored
- The CLK signal should not be high when LE transitions to low
- When CLK and DATA lines are shared between devices, TI recommends diving down the voltage to the CLK, DATA, and LE pins closer to the minimum voltage. This provides better noise immunity
- If the CLK and DATA lines are toggled while the VCO is in lock, as is sometimes the case when these lines are shared with other parts, the phase noise may be degraded during the time of this programming

## 6.7 Typical Characteristics

T<sub>A</sub> = 25°C (unless otherwise noted)

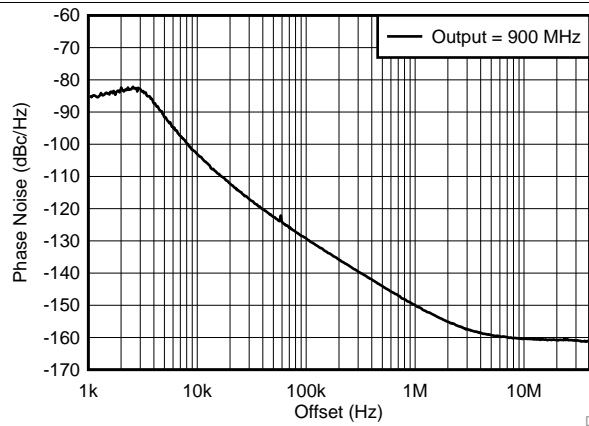


Figure 2. 900-MHz Output - Closed-Loop Phase Noise

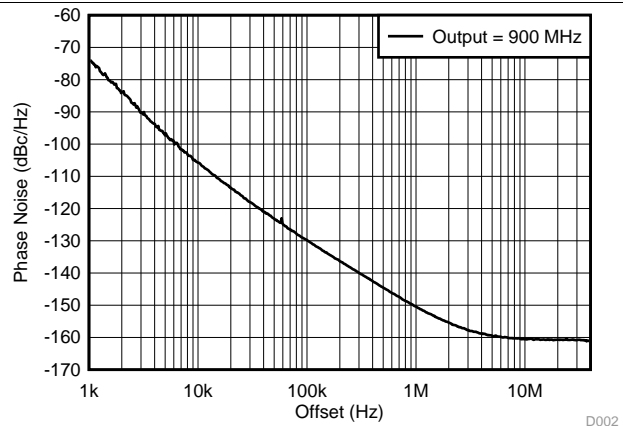


Figure 3. 900-MHz Output - Open-Loop Phase Noise

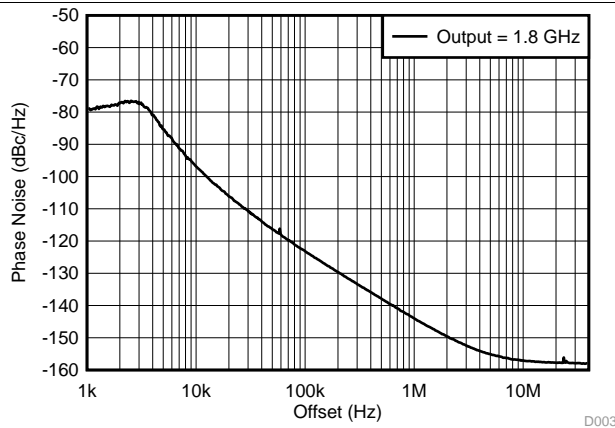


Figure 4. 1.8-GHz Output - Closed-Loop Phase Noise

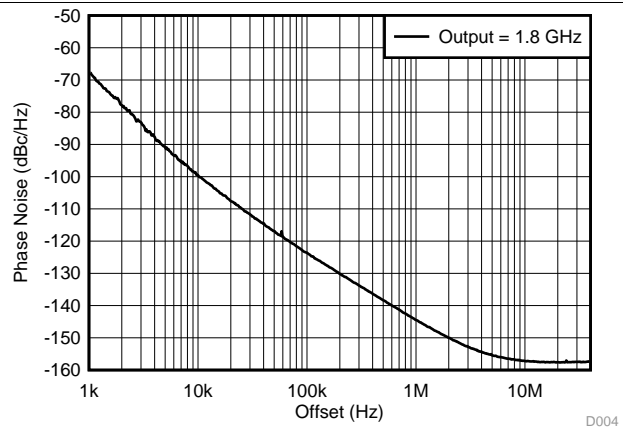


Figure 5. 1.8-GHz Output - Open-Loop Phase Noise

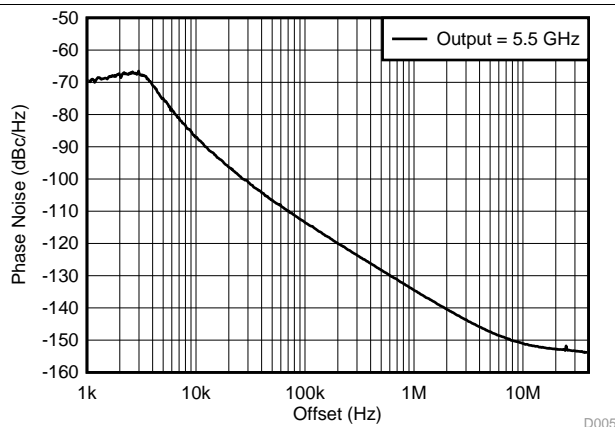


Figure 6. 5.5-GHz Output - Closed-Loop Phase Noise

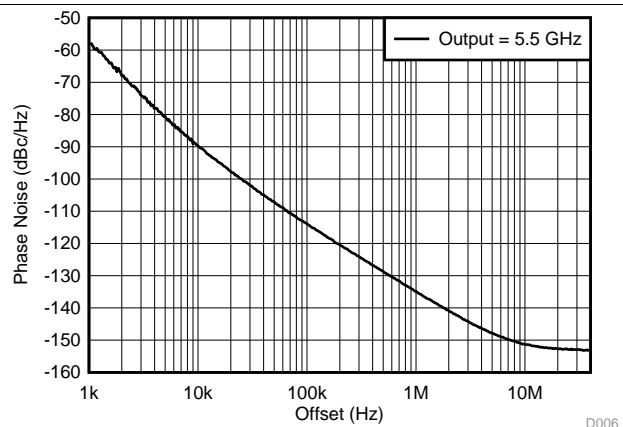


Figure 7. 5.5-GHz Output - Open-Loop Phase Noise

Typical Characteristics (continued)

T<sub>A</sub> = 25°C (unless otherwise noted)

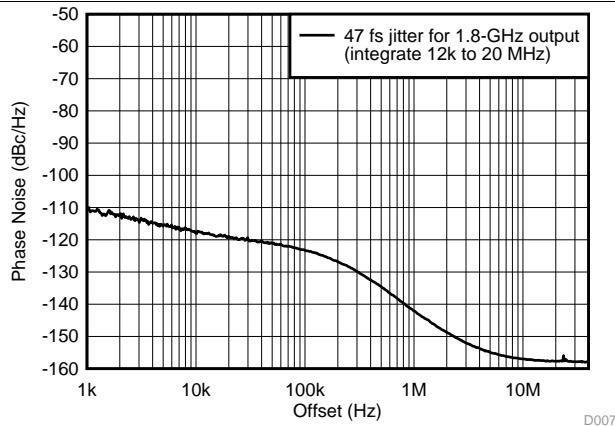


Figure 8. Integrated Jitter (47 fs) - 1.8-GHz Output

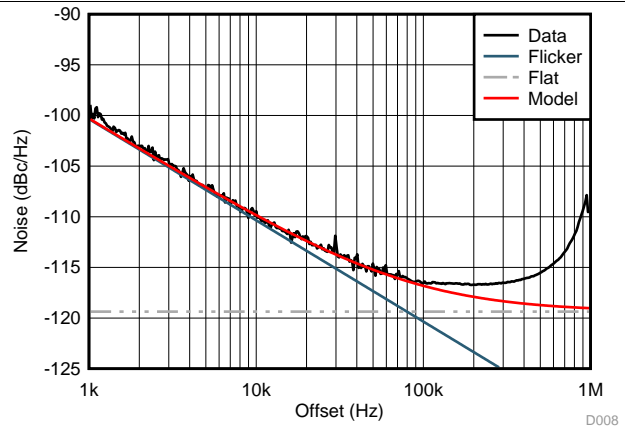


Figure 9. 5.4-GHz Output Wide Loop Bandwidth – Showing PLL Performance

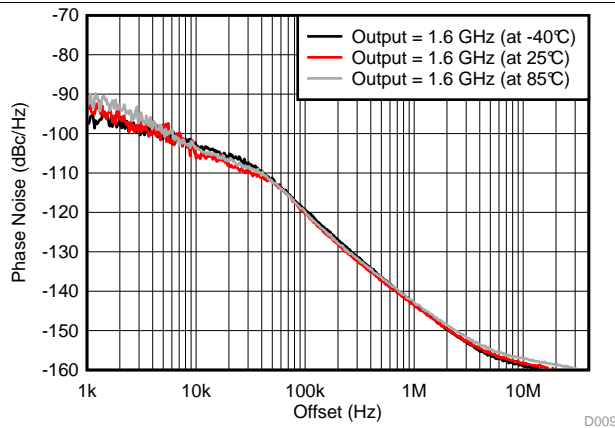


Figure 10. Variation of Phase Noise Across Temperature

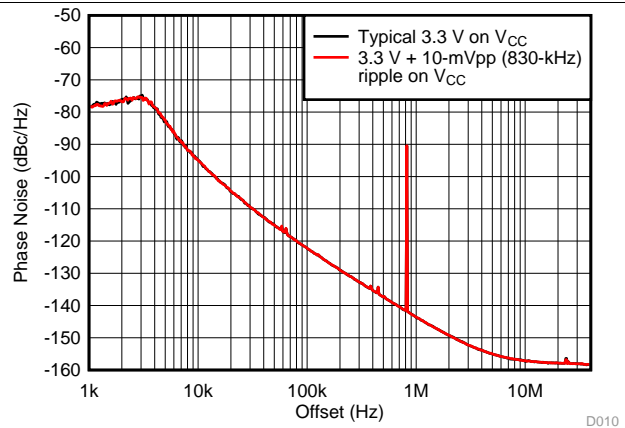


Figure 11. Impact of Supply Ripple on 1.8-GHz Output Phase Noise

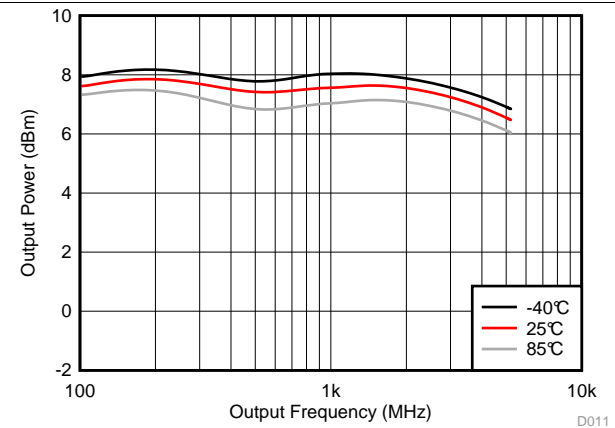


Figure 12. High Output Power (50-Ω Pullup, Single-Ended) vs Output Frequency

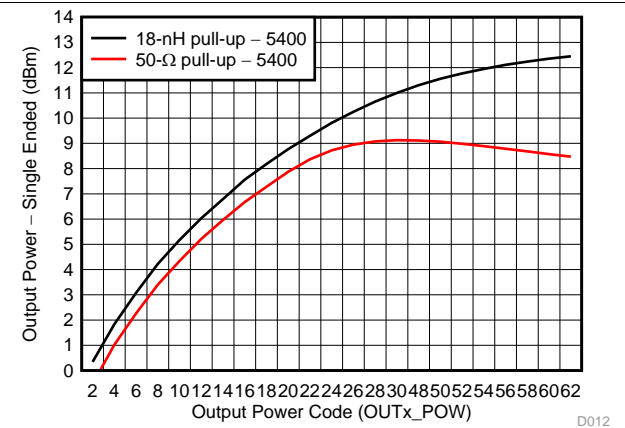
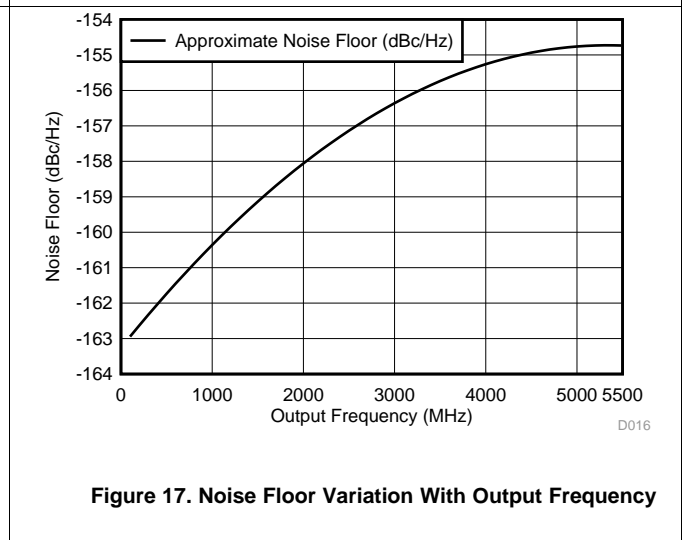
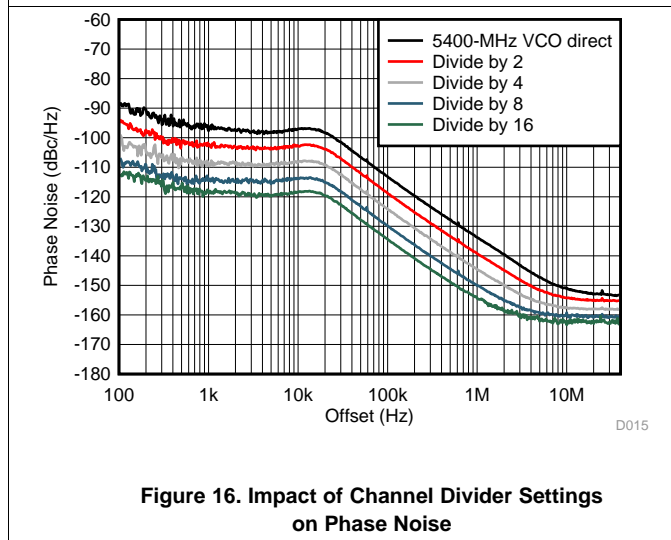
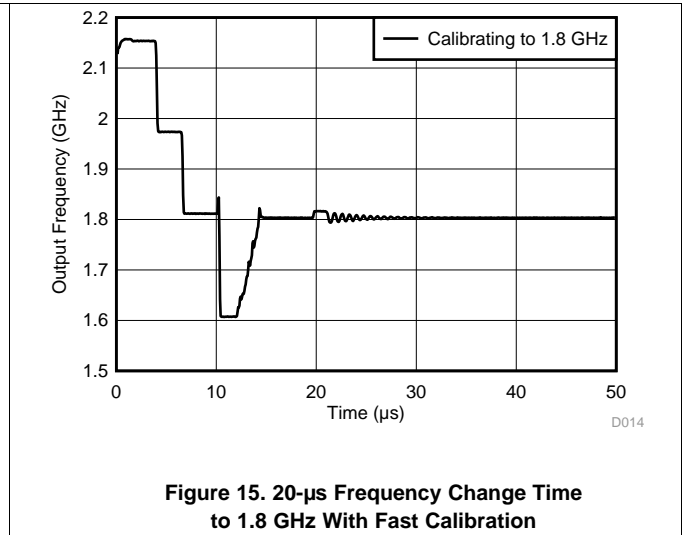
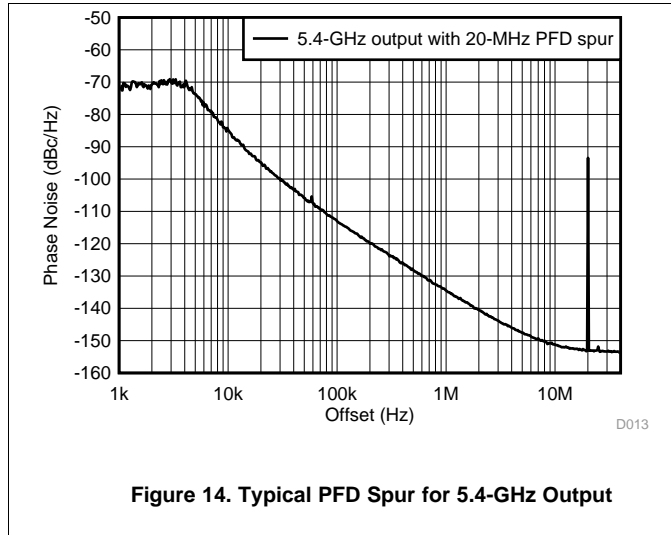


Figure 13. Output Power at 5.4-GHz Output vs OUTx\_POW Code (1 - 31, 48 - 63)

### Typical Characteristics (continued)

T<sub>A</sub> = 25°C (unless otherwise noted)



## 7 Detailed Description

### 7.1 Overview

The LMX2582 is a high performance wideband synthesizer (PLL with integrated VCO). The output frequency range is from 20 MHz to 5.5 GHz. The VCO core covers an octave from 3.55 to 7.1 GHz. The output channel divider covers the frequency range from 20 MHz to the low bound of the VCO core.

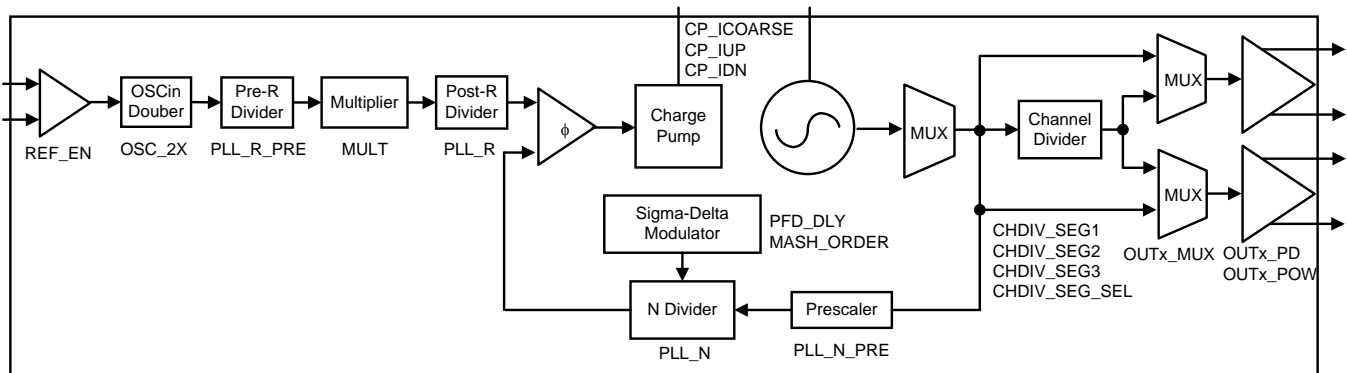
The input signal frequency has a wide range from 5 to 1400 MHz. Following the input, there is an programmable OSCin doubler, a pre-R divider (previous to multiplier), a multiplier, and then a post-R divider (after multiplier) for flexible frequency planning between the input (OSCin) and the phase detector.

The phase detector (PFD) can take frequencies from 5 to 200 MHz, but also has extended modes down to 0.25 MHz and up to 400 MHz. The phase-lock loop (PLL) contains a Sigma-Delta modulator (1st to 4th order) for fractional N-divider values. The fractional denominator is programmable to 32-bit long, allowing a very fine resolution of frequency step. There is a phase adjust feature that allows shifting of the output phase in relation to the input (OSCin) by a fraction of the size of the fractional denominator.

The output power is programmable and can be designed for high power at a specific frequency by the pullup component at the output pin.

The digital logic is a standard 4-wire SPI or uWire interface and is 1.8-V and 3.3-V compatible.

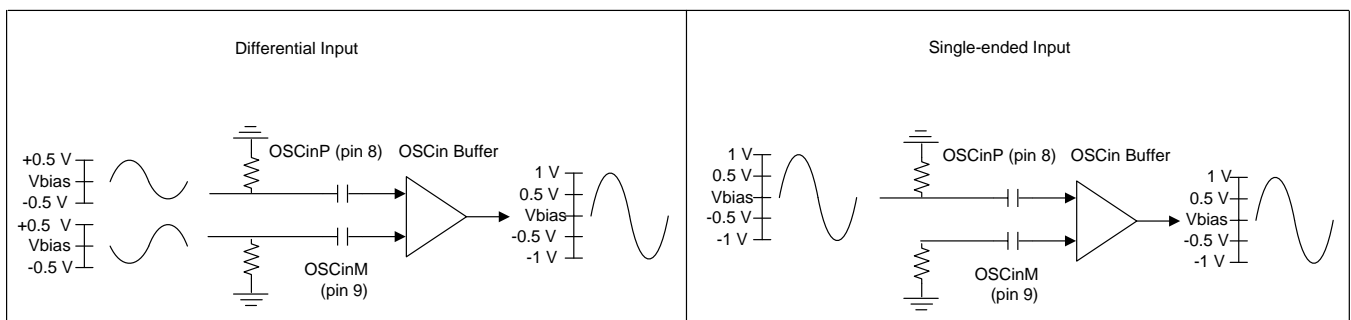
### 7.2 Functional Block Diagram



### 7.3 Functional Description

#### 7.3.1 Input Signal

An input signal is required for the PLL to lock. The input signal is also used for the VCO calibration, so a proper signal needs to be applied before the start of programming. The input signal goes to the OSCinP and OSCinM pins of the device (there is internal biasing which requires AC-coupling caps in series before the pin). This is a differential buffer so the total swing is the OSCinM signal subtracted by the OSCinP signal. Both differential signals and single-ended signal can be used. Below is an example of the max signal level in each mode. It is important to have proper termination and matching on both sides (see [Application and Implementation](#)).



**Figure 18. Differential vs Single-Ended Mode**

## Functional Description (continued)

### 7.3.2 Input Signal Path

The input signal path contains the components between the input (OSCin) buffer and the phase detector. The best PLL noise floor is achieved with a 200-MHz input signal for the highest dual-phase detector frequency. To address a wide range of applications, the input signal path contains the below components for flexible configuration before the phase detector. Each component can be bypassed. See [Table 1](#) for usage boundaries if engaging a component.

- **OSCin doubler:** This is low noise frequency doubler which can be used to multiply input frequencies by two. The doubler uses both the rising and falling edge of the input signal so the input signal must have 50% duty cycle if enabling the doubler. The best PLL noise floor is achieved with 200-MHz PFD, thus the doubler is useful if, for example, a very low-noise, 100-MHz input signal is available instead.
- **Pre-R divider:** This is a frequency divider capable of very high frequency inputs. Use this to divide any input frequency up to 1400-MHz, and then the post-R divider if lower frequencies are needed.
- **Multiplier:** This is a programmable, low noise multiplier. In combination with the Pre-R and Post-R dividers, the multiplier offers the flexibility to set a PFD away from frequencies that may create critical integer boundary spurs with the VCO and output frequencies. See the [Application and Implementation](#) section for an example. The user should not use the doubler while using the low noise programmable multiplier.
- **Post-R divider:** Use this divider to divide down to frequencies below 5 MHz in extended PFD mode.

**Table 1. Boundaries for Input Path Components**

|                | INPUT     |            | OUTPUT    |            |
|----------------|-----------|------------|-----------|------------|
|                | LOW (MHz) | HIGH (MHz) | LOW (MHz) | HIGH (MHz) |
| Input signal   | 5         | 1400       |           |            |
| OSCin doubler  | 5         | 200        | 10        | 400        |
| Pre-R divider  | 10        | 1400       | 5         | 700        |
| Multiplier     | 40        | 70         | 180       | 250        |
| Post-R divider | 5         | 250        | 0.25      | 125        |
| PFD            | 0.25      | 400        |           |            |

### 7.3.3 PLL Phase Detector and Charge Pump

The PLL phase detector, also known as phase frequency detector (PFD), compares the outputs of the post-R divider and N divider and generates a correction current with the charge pump corresponding to the phase error until the two signals are aligned in phase (the PLL is locked). The charge pump output goes through external components (loop filter) which turns the correction current pulses into a DC voltage applied to the tuning voltage ( $V_{\text{tune}}$ ) of the VCO. The charge pump gain level is programmable and allow to modify the loop bandwidth of the PLL.

The default architecture is a dual-loop PFD which can operate between 5 to 200 MHz. To use it in extended range mode the PFD has to be configured differently:

- **Extended low phase detector frequency mode:** For frequencies between 250 kHz and 5 MHz, low PFD mode can be activated ( $\text{FCAL\_LPFD\_ADJ} = 3$ ).  $\text{PLL\_N\_PRE}$  also needs to be set to 4.
- **Extended high phase detector frequency mode:** For frequencies between 200 and 400 MHz, high PFD mode can be activated ( $\text{FCAL\_HPFD\_ADJ} = 3$ ). The PFD also has to be set to single-loop PFD mode ( $\text{PFD\_CTL} = 3$ ). This mode only works if using integer-N, and PLL noise floor will be about 6-dB higher than in dual-loop PFD mode.

### 7.3.4 N Divider and Fractional Circuitry

The N divider (12 bits) includes a multi-stage noise shaping (MASH) sigma-delta modulator with programmable order from 1st to 4th order, which performs fractional compensation and can achieve any fractional denominator from 1 to  $(2^{32} - 1)$ . Using programmable registers, PLL\_N is the integer portion and PLL\_NUM / PLL\_DEN is the fractional portion, thus the total N divider value is determined by  $PLL\_N + PLL\_NUM / PLL\_DEN$ . This allows the output frequency to be a fractional multiplication of the phase detector frequency. The higher the denominator the finer the resolution step of the output. There is a N divider prescaler (PLL\_N\_PRE) between the VCO and the N divider which performs a division of 2 or 4. 2 is selected typically for higher performance in fractional mode and 4 may be desirable for lower power operation and when N is approaching max value.

$$F_{vco} = F_{pd} \times PLL\_N\_PRE \times (PLL\_N + PLL\_NUM / PLL\_DEN)$$

$$\text{Minimum output frequency step} = F_{pd} \times PLL\_N\_PRE / PLL\_DEN / [\text{Channel divider value}]$$

Typically, higher modulator order pushes the noise out in frequency and may be filtered out with the PLL. However, several tradeoff needs to be made. [Table 2](#) shows the suggested minimum N value while in fractional mode as a function of the sigma-delta modulator order. It also describe the recommended register setting for the PFD delay (register PFD\_DLY\_SEL).

**Table 2. MASH Order and N Divider**

|   | INTEGER-N | 1st ORDER | 2nd ORDER | 3rd ORDER | 4th ORDER |
|---|-----------|-----------|-----------|-----------|-----------|
| Minimum N divider (low bound)               | 9         | 11        | 16        | 18        | 30        |
| PFD delay recommended setting (PFD_DLY_SEL) | 1         | 1         | 2         | 2         | 8         |

### 7.3.5 Voltage Controlled Oscillator

The voltage controlled oscillator (VCO) is fully integrated. The frequency range of the VCO is from 3.55 to 7.1 GHz so it covers one octave. Channel dividers allow the generation of all other lower frequencies. The VCO-doubler allow the generation of all other higher frequencies. The output frequency of the VCO is inverse proportional to the DC voltage present at the tuning voltage point on pin Vtune. The tuning range is 0 V to 2.5 V. 0 V generates the maximum frequency and 2.5 V generates the minimum frequency. This VCO requires a calibration procedure for each frequency selected to lock on. Each VCO calibration will force the tuning voltage to mid value and calibrate the VCO circuit. Any frequency setting in fast calibration occurs in the range of Vtune pin 0 V to 2.5 V. The VCO is designed to remained locked over the entire temperature range the device can support. [Table 3](#) shows the VCO gain as a function of frequency.

**Table 3. Typical kVCO**

| VCO FREQUENCY (MHz) | kVCO (MHz/V) |
|---------------------|--------------|
| 3700                | 28           |
| 4200                | 30           |
| 4700                | 33           |
| 5200                | 36           |
| 5700                | 41           |
| 6200                | 47           |
| 6800                | 51           |

### 7.3.6 VCO Calibration

The VCO calibration is responsible of setting the VCO circuit to the target frequency. The frequency calibration routine is activated any time that the R0 register is programmed with the FCAL\_EN = 1. A valid input (OSCin) signal to the device must present before the VCO calibration begins. To see how to reduce the calibration time, refer to the [Application and Implementation](#) section.

### 7.3.7 Channel Divider

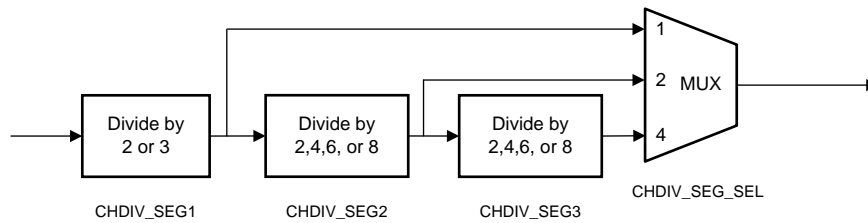


Figure 19. Channel Divider Diagram

To go below the VCO lower bound, the channel divider must be used. The channel divider consists of three programmable dividers controlled by the registers CHDIV\_SEG1, CHDIV\_SEG2, CHDIV\_SEG3. The Multiplexer (programmed with register CHDIV\_SEG\_SEL) selects which divider is included in the path. The minimum division is 2 while the maximum division is 192. Un-used dividers can be powered down to save current consumption. The entire channel divider can be powered down with register CHDIV\_EN = 0 or selectively setting registers CHDIV\_SEG1\_EN = 0, CHDIV\_SEG2\_EN = 0, CHDIV\_SEG3\_EN = 0. Unused buffers may also be powered down with registers CHDIV\_DISTA\_EN and CHDIV\_DIST\_EN. See Table 4 for a guideline of what channel divider setting to use when below a specific output frequency.

Table 4. Channel Divider Setting as a Function of the Desired Output Frequency

| Output Frequency |             | CHDIV Segments |      |      | total div | VCO Frequency |      |
|------------------|-------------|----------------|------|------|-----------|---------------|------|
| min              | max         | seg1           | seg2 | seg3 |           | min           | max  |
| 1775             | 3550        | 2              | 1    | 1    | 2         | 3550          | 7100 |
| 1184             | 2366.666667 | 3              | 1    | 1    | 3         | 3552          | 7100 |
| 888              | 1184        | 2              | 2    | 1    | 4         | 3552          | 4736 |
| 592              | 888         | 3              | 2    | 1    | 6         | 3552          | 5328 |
| 444              | 592         | 2              | 4    | 1    | 8         | 3552          | 4736 |
| 296              | 444         | 2              | 6    | 1    | 12        | 3552          | 5328 |
| 222              | 296         | 2              | 8    | 1    | 16        | 3552          | 4736 |
| 148              | 222         | 3              | 8    | 1    | 24        | 3552          | 5328 |
| 111              | 148         | 2              | 8    | 2    | 32        | 3552          | 4736 |
| 99               | 111         | 3              | 6    | 2    | 36        | 3564          | 3996 |
| 74               | 99          | 3              | 8    | 2    | 48        | 3552          | 4752 |
| 56               | 74          | 2              | 8    | 4    | 64        | 3584          | 4736 |
| 37               | 56          | 2              | 8    | 6    | 96        | 3552          | 5376 |
| 28               | 37          | 2              | 8    | 8    | 128       | 3584          | 4736 |
| 20               | 28          | 3              | 8    | 8    | 192       | 3840          | 5376 |



### 7.3.8 Output Distribution

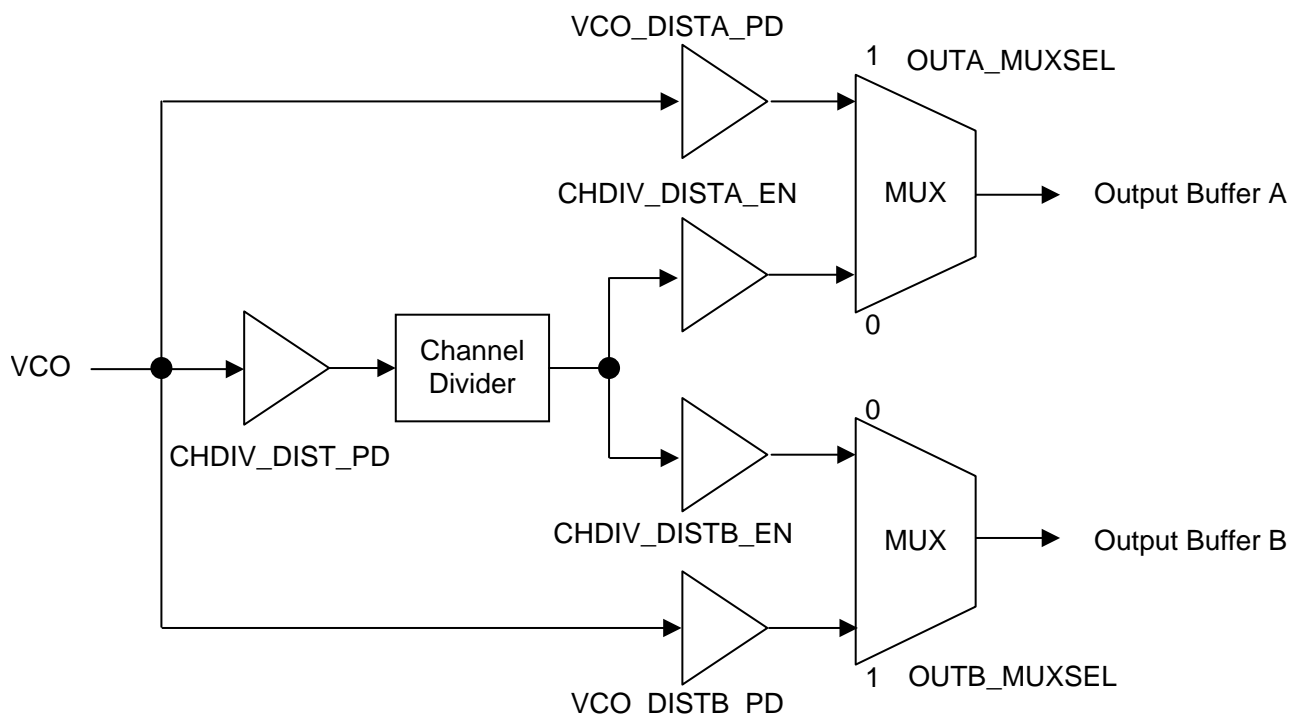


Figure 20. Output Distribution Diagram

For each output A or B, there is a mux which select the VCO output directly or the channel divider output. Before these selection MUX there are several buffers in the distribution path which can be configured depending on the route selected. By disabling unused buffers, unwanted signals can be isolated and unneeded current consumption can be eliminated.

### 7.3.9 Output Buffer

Each output buffer (A and B) have programmable gain with register OUTA\_POW and OUTB\_POW. The RF output buffer configuration is open-collector and requires an external pullup from RFout pin to  $V_{CC}$ . There are two pullup options that can be used with either resistor or inductor. Refer to the [Application and Implementation](#) section for design considerations.

1. Resistor pullup: placing a 50- $\Omega$  resistor pullup matches the output impedance to 50- $\Omega$ . However, maximum output power is limited. Output buffer current settings should be set to a value before output power is saturated (output power increases less for every step increase in output current value).
2. Inductor pullup: placing an inductor pullup creates a resonance at the frequency of interest. This offers higher output power for the same current and higher maximum output power. However, the output impedance is higher and additional matching may be required..

### 7.3.10 Phase Adjust

In fractional mode, the phase relationship between the output and the input can be changed with very fine resolution. Every time MASH\_SEED register is written, it will trigger a phase shift of the amount described in [Equation 1](#). The seed value should be less than the fractional-N denominator register PLL\_N\_DEN. The actual phase shift can be obtained with the following equation:

$$\text{Phase shift (degrees)} = 360 \times \text{MASH\_SEED} \times \text{PLL\_N\_PRE} / \text{PLL\_N\_DEN} / [\text{Channel divider value}] \quad (1)$$

## 7.4 Device Functional Modes

### 7.4.1 Power Down

Power up and down can be achieved using the CE pin (logic HIGH or LOW voltage) or the POWERDOWN register bit (0 or 1). When the device comes out of the powered-down state, either by pulling back CE pin HIGH (if it was powered down by CE pin) or by resuming the POWERDOWN bit to 0 (if it was powered down by register write), it is required that register R0 be programmed again to re-calibrate the device.

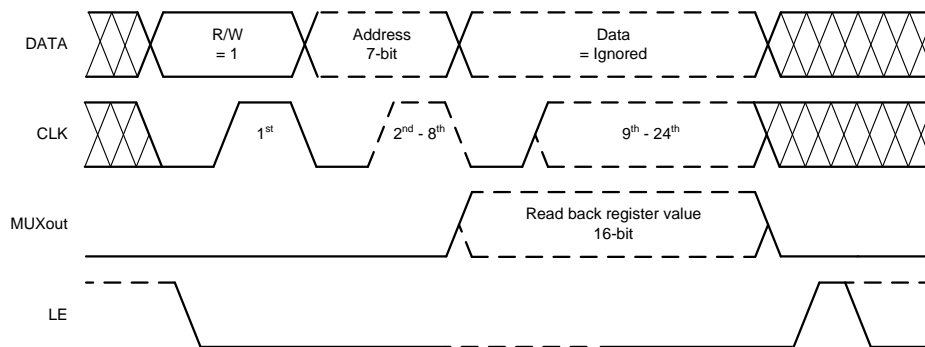
### 7.4.2 Lock Detect

The MUXout pin can be configured to output a signal that gives an indication for the PLL being locked. If lock detect is enabled ( $LD\_EN = 1$ ) and the MUXout pin is configured as lock detect output ( $MUXOUT\_SEL = 1$ ), when the device is locked, the MUXout pin output is a logic HIGH voltage, and when the device is unlocked, MUXout output is a logic LOW voltage.

### 7.4.3 Register Readback

The MUXout pin can be programmed ( $MUXOUT\_SEL = 0$ ) to use register readback serial data output. To read back a certain register value, use the following steps:

1. Set the R/W bit to 1; the data field contents are ignored.
2. Program this register to the device, readback serial data will be output starting at the 9th clock.



**Figure 21. Register Readback Timing Diagram**

## 7.5 Programming

The programming using 24-bit shift registers. The shift register consists of a R/W bit (MSB), followed by a 7-bit address field and a 16-bit data field. For the R/W (bit 23), 1 is read and 0 is write. The address field ADDRESS (bits 22:16) is used to decode the internal register address. The remaining 16 bits form the data field DATA (bits 15:0). While CSB is low, serial data is clocked into the shift register upon the rising edge of clock (data is programmed MSB first). When CSB goes high, data is transferred from the data field into the selected register bank.

### 7.5.1 Recommended Initial Power on Programming Sequence

When the device is first powered up, the device needs to be initialized and the ordering of this programming is very important. After this sequence is completed, the device should be running and locked to the proper frequency.

1. Apply power to the device and ensure the  $V_{CC}$  pins are at the proper levels
2. Ensure that a valid reference is applied to the OSCin pin
3. Soft reset the device (write  $R0[1] = 1$ )
4. Program the remaining registers
5. Frequency calibrate (write  $R0[3] = 1$ )

## Programming (continued)

### 7.5.2 Recommended Sequence for Changing Frequencies

The recommended sequence for changing frequencies is as follows:

1. Set the new N divider value (write R38[12:1])
2. Set the new PLL numerator (R45 and R44) and denominator (R41 and R40)
3. Frequency calibrate (write R0[3] = 1)

## 7.6 Register Maps

### 7.6.1 LMX2582 Register Map – Default Values

Figure 22. Register Table

| REG | R/W | ADDRESS[6:0] |    |    |    |    |    |    |              |              |    |          | DATA [15:0]     |    |                    |        |                |                |   |            |             |             |            |   |
|-----|-----|--------------|----|----|----|----|----|----|--------------|--------------|----|----------|-----------------|----|--------------------|--------|----------------|----------------|---|------------|-------------|-------------|------------|---|
|     |     | 23           | 22 | 21 | 20 | 19 | 18 | 17 | 16           | 15           | 14 | 13       | 12              | 11 | 10                 | 9      | 8              | 7              | 6 | 5          | 4           | 3           | 2          | 1 |
| 0   | R/W | 0            | 0  | 0  | 0  | 0  | 0  | 0  | 0            | 0            | 0  | LD_EN    | 0               | 0  | 0                  | 1      | FCAL_HP_FD_ADJ | FCAL_LP_FD_ADJ | 1 | FCAL_EN    | MUX_OUT_SEL | RESET       | POWER_DOWN |   |
| 1   | R/W | 0            | 0  | 0  | 0  | 0  | 0  | 1  | 0            | 0            | 0  | 0        | 1               | 0  | 0                  | 0      | 0              | 0              | 0 | 0          | 1           | CAL_CLK_DIV |            |   |
| 2   | R/W | 0            | 0  | 0  | 0  | 0  | 1  | 0  | 0            | 0            | 0  | 0        | 0               | 1  | 0                  | 1      | 0              | 0              | 0 | 0          | 0           | 0           | 0          | 0 |
| 4   | R/W | 0            | 0  | 0  | 0  | 1  | 0  | 0  | ACAL_CMP_DLY |              |    |          |                 |    |                    | 0      | 1              | 0              | 0 | 0          | 0           | 0           | 1          | 1 |
| 7   | R/W | 0            | 0  | 0  | 0  | 1  | 1  | 1  | 0            | 0            | 1  | 04       | 1               | 0  | 0                  | 0      | 1              | 0              | 1 | 1          | 0           | 0           | 1          | 0 |
| 8   | R/W | 0            | 0  | 0  | 1  | 0  | 0  | 0  | 0            | VCO_IDAC_OVR | 1  | 0        | VC_OCAPCTRL_OVR | 0  | 0                  | 1      | 0              | 0              | 0 | 0          | 0           | 1           | 0          | 0 |
| 9   | R/W | 0            | 0  | 0  | 1  | 0  | 0  | 1  | 0            | 0            | 0  | 0        | OSC_2X          | 0  | REF_EN             | 1      | 0              | 0              | 0 | 0          | 0           | 0           | 1          | 0 |
| 10  | R/W | 0            | 0  | 0  | 1  | 0  | 1  | 0  | 0            | 0            | 0  | 1        | MULT            |    |                    |        | 1              | 0              | 1 | 1          | 0           | 0           | 0          |   |
| 11  | R/W | 0            | 0  | 0  | 1  | 0  | 1  | 1  | 0            | 0            | 0  | PLL_R    |                 |    |                    |        |                | 1              | 0 | 0          | 0           |             |            |   |
| 12  | R/W | 0            | 0  | 0  | 1  | 1  | 0  | 0  | 0            | 1            | 1  | 1        | PLL_R_PRE       |    |                    |        |                |                |   |            |             |             |            |   |
| 13  | R/W | 0            | 0  | 0  | 1  | 1  | 0  | 1  | 0            | CP_EN        | 0  | 0        | 0               | 0  | PFD_CTL            | 0      | 0              | 0              | 0 | 0          | 0           | 0           | 0          | 0 |
| 14  | R/W | 0            | 0  | 0  | 1  | 1  | 1  | 0  | 0            | 0            | 0  | CP_IDN   |                 |    |                    | CP_IUP |                |                |   | CP_ICOARSE |             |             |            |   |
| 19  | R/W | 0            | 0  | 1  | 0  | 0  | 1  | 1  | 0            | 0            | 0  | VCO_IDAC |                 |    |                    |        |                | 1              | 0 | 1          |             |             |            |   |
| 20  | R/W | 0            | 0  | 1  | 0  | 1  | 0  | 0  | 0            | 0            | 0  | 0        | 0               | 0  | ACAL_VCO_IDAC_STRT |        |                |                |   |            |             |             |            |   |
| 22  | R/W | 0            | 0  | 1  | 0  | 1  | 1  | 0  | 0            | 0            | 1  | 0        | 0               | 0  | 1                  | 1      | VCO_CAPCTRL    |                |   |            |             |             |            |   |

**LMX2582**

SNAS680C – DECEMBER 2015 – REVISED JULY 2017

[www.ti.com](http://www.ti.com)

| REG | 23           | 22 | 21 | 20 | 19 | 18 | 17 | 16             | 15               | 14              | 13          | 12       | 11             | 10             | 9             | 8             | 7             | 6             | 5        | 4 | 3          | 2             | 1 | 0 |   |
|-----|--------------|----|----|----|----|----|----|----------------|------------------|-----------------|-------------|----------|----------------|----------------|---------------|---------------|---------------|---------------|----------|---|------------|---------------|---|---|---|
|     | ADDRESS[6:0] |    |    |    |    |    |    |                |                  |                 | DATA [15:0] |          |                |                |               |               |               |               |          |   |            |               |   |   |   |
| 23  | R/W          | 0  | 0  | 1  | 0  | 1  | 1  | 1              | 1                | FCAL_VCO_SELECT | VCO_SEL     |          | VC_OSEL_FORCE  | 0              | 0             | 0             | 1             | 0             | 0        | 0 | 0          | 0             | 1 | 0 |   |
| 24  | R/W          | 0  | 0  | 1  | 1  | 0  | 0  | 0              | 0                | 0               | 0           | 0        | 0              | 1              | 0             | 1             | 0             | 0             | 0        | 0 | 1          | 0             | 0 | 1 |   |
| 25  | R/W          | 0  | 0  | 1  | 1  | 0  | 0  | 1              | 0                | 0               | 0           | 0        | 0              | 0              | 0             | 0             | 0             | 0             | 0        | 0 | 0          | 0             | 0 | 0 |   |
| 28  | R/W          | 0  | 0  | 1  | 1  | 1  | 0  | 0              | 0                | 0               | 1           | 0        | 1              | 0              | 0             | 1             | 0             | 0             | 1        | 0 | 0          | 1             | 0 | 0 |   |
| 29  | R/W          | 0  | 0  | 1  | 1  | 1  | 0  | 1              | 0                | 0               | 0           | 0        | 0              | 0              | 0             | 1             | 0             | 0             | 0        | 0 | 0          | 1             | 0 | 0 |   |
| 30  | R/W          | 0  | 0  | 1  | 1  | 1  | 1  | 0              | 0                | 0               | 0           | 0        | 0              | MASH_THR       | 0             | 0             | 0             | 0             | 1        | 1 | 0          | 1             | 0 | 0 |   |
| 31  | R/W          | 0  | 0  | 1  | 1  | 1  | 1  | 1              | 0                | 0               | 0           | 0        | 0              | VC_ODISTB_PD   | VCO_DISTA_PD  | 0             | CHDIV_DIST_PD | 0             | 0        | 0 | 0          | 0             | 0 | 0 | 1 |
| 32  | R/W          | 0  | 1  | 0  | 0  | 0  | 0  | 0              | 0                | 0               | 1           | 0        | 0              | 0              | 0             | 1             | 0             | 0             | 0        | 0 | 1          | 0             | 1 | 0 |   |
| 33  | R/W          | 0  | 1  | 0  | 0  | 0  | 0  | 1              | 0                | 0               | 1           | 0        | 1              | 0              | 1             | 0             | 0             | 0             | 0        | 0 | 1          | 0             | 1 | 0 |   |
| 34  | R/W          | 0  | 1  | 0  | 0  | 0  | 1  | 0              | 1                | 1               | 0           | 0        | 0              | 0              | 1             | 1             | 1             | 1             | CHDIV_EN | 0 | 1          | 0             | 1 | 0 |   |
| 35  | R/W          | 0  | 1  | 0  | 0  | 0  | 1  | 1              | 0                | 0               | CHDIV_SEG2  |          |                |                | CHDIV_SEG3_EN | CHDIV_SEG2_EN | 0             | 0             | 1        | 1 | CHDIV_SEG1 | CHDIV_SEG1_EN | 1 |   |   |
| 36  | R/W          | 0  | 1  | 0  | 0  | 1  | 0  | 0              | 0                | 0               | 0           | 0        | CHDIV_DISTB_EN | CHDIV_DISTA_EN | 0             | 0             | 0             | CHDIV_SEG_SEL |          |   | CHDIV_SEG3 |               |   |   |   |
| 37  | R/W          | 0  | 1  | 0  | 0  | 1  | 0  | 1              | 0                | 1               | 0           | PLL_NPRE | 0              | 0              | 0             | 0             | 0             | 0             | 0        | 0 | 0          | 0             | 0 | 0 |   |
| 38  | R/W          | 0  | 1  | 0  | 0  | 1  | 1  | 0              | 0                | 0               | PLL_N       |          |                |                |               |               |               |               |          |   |            | 0             |   |   |   |
| 39  | R/W          | 0  | 1  | 0  | 0  | 1  | 1  | 1              | 1                | 0               | PFD_DLY     |          |                |                |               | 0             | 0             | 0             | 0        | 0 | 1          | 0             | 0 |   |   |
| 40  | R/W          | 0  | 1  | 0  | 1  | 0  | 0  | PLL_DEN[31:16] |                  |                 |             |          |                |                |               |               |               |               |          |   |            |               |   |   |   |
| 41  | R/W          | 0  | 1  | 0  | 1  | 0  | 0  | 1              | PLL_DEN[15:0]    |                 |             |          |                |                |               |               |               |               |          |   |            |               |   |   |   |
| 42  | R/W          | 0  | 1  | 0  | 1  | 0  | 1  | 0              | MASH_SEED[31:16] |                 |             |          |                |                |               |               |               |               |          |   |            |               |   |   |   |
| 43  | R/W          | 0  | 1  | 0  | 1  | 0  | 1  | 1              | MASH_SEED[15:0]  |                 |             |          |                |                |               |               |               |               |          |   |            |               |   |   |   |

| REG | 23           | 22 | 21 | 20 | 19 | 18 | 17 | 16 | 15             | 14 | 13           | 12          | 11 | 10 | 9                     | 8                     | 7                   | 6                               | 5 | 4          | 3          | 2 | 1            | 0               |
|-----|--------------|----|----|----|----|----|----|----|----------------|----|--------------|-------------|----|----|-----------------------|-----------------------|---------------------|---------------------------------|---|------------|------------|---|--------------|-----------------|
|     | ADDRESS[6:0] |    |    |    |    |    |    |    |                |    |              | DATA [15:0] |    |    |                       |                       |                     |                                 |   |            |            |   |              |                 |
| 44  | R/W          | 0  | 1  | 0  | 1  | 1  | 0  | 0  | PLL_NUM[31:16] |    |              |             |    |    |                       |                       |                     |                                 |   |            |            |   |              |                 |
| 45  | R/W          | 0  | 1  | 0  | 1  | 1  | 0  | 1  | PLL_NUM[15:0]  |    |              |             |    |    |                       |                       |                     |                                 |   |            |            |   |              |                 |
| 46  | R/W          | 0  | 1  | 0  | 1  | 1  | 1  | 0  | 0              | 0  | OUTA_POW     |             |    |    |                       | OUT<br>B_P<br>D       | OU<br>TA<br>_P<br>D | MAS<br>H_E<br>N                 | 1 | 0          | MASH_ORDER |   |              |                 |
| 47  | R/W          | 0  | 1  | 0  | 1  | 1  | 1  | 1  | 0              | 0  | OUTA_M<br>UX |             | 0  | 0  | 0                     | 1                     | 1                   | OUTB_POW                        |   |            |            |   |              |                 |
| 48  | R/W          | 0  | 1  | 1  | 0  | 0  | 0  | 0  | 0              | 0  | 0            | 0           | 0  | 1  | 1                     | 1                     | 1                   | 1                               | 1 | 1          | 1          | 1 | OUTB_M<br>UX |                 |
| 59  | R/W          | 0  | 1  | 1  | 1  | 0  | 1  | 1  | 0              | 0  | 0            | 0           | 0  | 0  | 0                     | 0                     | 0                   | MUX<br>OUT<br>_H<br>D<br>R<br>V | 0 | 0          | 0          | 0 | 0            |                 |
| 61  | R/W          | 0  | 1  | 1  | 1  | 1  | 0  | 1  | 0              | 0  | 0            | 0           | 0  | 0  | 0                     | 0                     | 0                   | 0                               | 0 | 0          | 0          | 0 | 0            | LD_<br>TYP<br>E |
| 62  | R/W          | 0  | 1  | 1  | 1  | 1  | 1  | 0  | 0              | 0  | 0            | 0           | 0  | 0  | 0                     | 0                     | 0                   | 0                               | 0 | 0          | 0          | 0 | 0            | 0               |
| 64  | R/W          | 1  | 0  | 0  | 0  | 0  | 0  | 0  | 0              | 0  | 0            | 0           | 0  | 0  | ACA<br>L_<br>F<br>AST | FC<br>AL<br>_F<br>AST | AJUMP_SIZE          |                                 | 1 | FJUMP_SIZE |            |   |              |                 |

### 7.6.1.1 Register Descriptions

**Table 5. R0 Register Field Descriptions**

| BIT   | FIELD       | TYPE | DEFAULT | DESCRIPTION  |
|-------|-------------|------|---------|--|
| 15:14 |             | R/W  |         | Program to Register Map default values   |
| 13    | LD_EN       | R/W  | 1       | Lock detect enable<br>1: enable<br>0: disable  |
| 12:9  |             | R/W  |         | Program to Register Map default values   |
| 8:7   | FCAL_HPFADJ | R/W  | 0       | Used for when PFD freq is high<br>3: PFD > 200 MHz<br>2: PFD > 150 MHz<br>1: PFD > 100 MHz<br>0: not used  |
| 6:5   | FCAL_LPFADJ | R/W  | 0       | Used for when PFD freq is low<br>3: PFD < 5 MHz<br>2: PFD < 10 MHz<br>1: PFD < 20 MHz<br>0: not used   |
| 4     | ACAL_EN     | R/W  | 1       | Enable amplitude calibration<br>1: enable (calibration algorithm will set VCO amplitude. For manual mode set register VCO_IDAC_OVR=1, and then set the VCO amplitude by register VCO_IDAC)<br>0: disable |
| 3     | FCAL_EN     | R/W  | 1       | Enable frequency calibration<br>1: enable (writing 1 to this register triggers the calibration sequence)<br>0: disable   |
| 2     | MUXOUT_SEL  | R/W  | 1       | Signal at MUXOUT pin<br>1: Lock Detect (3.3 V if locked, 0 V if unlocked)<br>0: Readback (3.3-V digital output)  |

**Table 5. R0 Register Field Descriptions (continued)**

| BIT | FIELD     | TYPE | DEFAULT | DESCRIPTION   |
|-----|-----------|------|---------|---|
| 1   | RESET     | R/W  | 0       | Reset<br>Write with a value of 1 to reset device (this register will self-switch back to 0) |
| 0   | POWERDOWN | R/W  | 0       | Powerdown whole device<br>1: power down<br>0: power up                                      |

**Table 6. R1 Register Field Descriptions**

| BIT  | FIELD       | TYPE | DEFAULT | DESCRIPTION   |
|------|-------------|------|---------|---|
| 15:3 |             | R/W  |         | Program to Register Map default values  |
| 2:0  | CAL_CLK_DIV | R/W  | 3       | Divides down the OSCin signal for calibration clock<br>Calibration Clock = OSCin / 2^CAL_CLK_DIV<br>Set this value so that calibration clock is less than but as close to 200MHz as possible if fast calibration time is desired. |

**Table 7. R2 Register Field Descriptions**

| BIT  | FIELD | TYPE | DEFAULT | DESCRIPTION                            |
|------|-------|------|---------|--|
| 15:0 |       | R/W  |         | Program to Register Map default values |

**Table 8. R4 Register Field Descriptions**

| BIT  | FIELD        | TYPE | DEFAULT | DESCRIPTION   |
|------|--------------|------|---------|---|
| 15:8 | ACAL_CMP_DLY | R/W  | 25      | VCO amplitude calibration delay. Lowering this value can speed calibration time |
| 7:0  |              | R/W  |         | Program to Register Map default values  |

**Table 9. R7 Register Field Descriptions**

| BIT  | FIELD | TYPE | DEFAULT | DESCRIPTION                            |
|------|-------|------|---------|--|
| 15:0 |       | R/W  |         | Program to Register Map default values |

**Table 10. R8 Register Field Descriptions**

| BIT   | FIELD           | TYPE | DEFAULT | DESCRIPTION  |
|-------|-----------------|------|---------|--|
| 15:14 |                 | R/W  |         | Program to Register Map default values   |
| 13    | VCO_IDAC_OVR    | R/W  | 0       | This is the over-ride bit for VCO amplitude (or IDAC value). When this is enabled, the VCO amplitude calibration function (ACAL_EN) is not used. VCO_IDAC register can be programmed to set the amplitude. Keep the VCO_IDAC value within 250 and 450.   |
| 12:11 |                 | R/W  |         | Program to Register Map default values   |
| 10    | VCO_CAPCTRL_OVR | R/W  | 0       | This is the over-ride bit for VCO capacitor bank code (or CAPCTRL value). When this is enabled, the VCO frequency calibration function (FCAL_EN) is not used. the VCO_CAPCTRL register can be programmed to set the VCO frequency within the selected VCO core. The VCO core is selected by setting VCO_SEL_FORCE=1 and then selecting the core with VCO_SEL=1,2,3,4,5,6, or 7 |
| 9:0   |                 | R/W  |         | Program to Register Map default values   |

**Table 11. R9 Register Field Descriptions**

| BIT   | FIELD  | TYPE | DEFAULT | DESCRIPTION                                       |
|-------|--------|------|---------|---|
| 15:12 |        | R/W  |         | Program to Register Map default values            |
| 11    | OSC_2X | R/W  | 0       | Reference path doubler<br>1: enable<br>0: disable |
| 10    |        | R/W  |         | Program to Register Map default values            |
| 9     | REF_EN | R/W  | 1       | Enable reference path<br>1: enable<br>0: disable  |
| 8:0   |        | R/W  |         | Program to Register Map default values            |

**Table 12. R10 Register Field Descriptions**

| BIT   | FIELD | TYPE | DEFAULT | DESCRIPTION  |
|-------|-------|------|---------|--|
| 15:12 |       | R/W  |         | Program to Register Map default values   |
| 11:7  | MULT  | R/W  | 1       | Input signal path multiplier (input range from 40 - 70 MHz, output range from 180 - 250 MHz) |
| 6:0   |       | R/W  |         | Program to Register Map default values   |

**Table 13. R11 Register Field Descriptions**

| BIT   | FIELD | TYPE | DEFAULT | DESCRIPTION                               |
|-------|-------|------|---------|---|
| 15:12 |       | R/W  |         | Program to Register Map default values    |
| 11:4  | PLL_R | R/W  | 1       | R divider after multiplier and before PFD |
| 3:0   |       | R/W  |         | Program to Register Map default values    |

**Table 14. R12 Register Field Descriptions**

| BIT   | FIELD     | TYPE | DEFAULT | DESCRIPTION   |
|-------|-----------|------|---------|---|
| 15:12 |           | R/W  |         | Program to Register Map default values              |
| 11:0  | PLL_R_PRE | R/W  | 1       | R divider after OSCin doubler and before multiplier |

**Table 15. R13 Register Field Descriptions**

| BIT   | FIELD   | TYPE | DEFAULT | DESCRIPTION   |
|-------|---------|------|---------|---|
| 15    |         | R/W  |         | Program to Register Map default values  |
| 14    | CP_EN   | R/W  | 1       | Enable charge pump<br>1: enable<br>0: disable   |
| 13:10 |         | R/W  |         | Program to Register Map default values  |
| 9:8   | PFD_CTL | R/W  | 0       | PFD mode<br>0: Dual PFD (default)<br>3: Single PFD (ONLY use if PFD freq is higher than 200MHz) |
| 7:0   |         | R/W  |         | Program to Register Map default values  |

**Table 16. R14 Register Field Descriptions**

| BIT   | FIELD      | TYPE | DEFAULT | DESCRIPTION  |
|-------|------------|------|---------|--|
| 15:12 |            | R/W  |         | Program to Register Map default values   |
| 11:7  | CP_IDN     | R/W  | 3       | Charge pump current (DN) – must equal to charge pump current (UP). Can activate any combination of bits.<br><bit 4>: 1.25 mA<br><bit 3>: 2.5 mA<br><bit 2>: 0.625 mA<br><bit 1>: 0.312 mA<br><bit 0>: 0.156 mA |
| 6:2   | CP_IUP     | R/W  | 3       | Charge pump current (UP) – must equal to charge pump current (DN). Can activate any combination of bits.<br><bit 4>: 1.25 mA<br><bit 3>: 2.5 mA<br><bit 2>: 0.625 mA<br><bit 1>: 0.312 mA<br><bit 0>: 0.156 mA |
| 1:0   | CP_ICOARSE | R/W  | 1       | charge pump gain multiplier - multiplies charge pump current by a given factor:<br>3: multiply by 2.5<br>2: multiply by 1.5<br>1: multiply by 2<br>0: no multiplication  |

**Table 17. R19 Register Field Descriptions**

| BIT   | FIELD    | TYPE | DEFAULT | DESCRIPTION   |
|-------|----------|------|---------|---|
| 15:12 |          | R/W  |         | Program to Register Map default values  |
| 11:3  | VCO_IDAC | R/W  | 300     | This is the VCO amplitude (or IDAC value). When VCO_IDAC is over-riden with VCO_IDAC_OVR=1, VCO amplitude calibration function (ACAL_EN) is not used. VCO_IDAC register can be programmed to set the amplitude. VCO_IDAC value must be kept within 250 and 450. |

**Table 17. R19 Register Field Descriptions (continued)**

| BIT | FIELD | TYPE | DEFAULT | DESCRIPTION                            |
|-----|-------|------|---------|--|
| 2:0 |       | R/W  |         | Program to Register Map default values |

**Table 18. R20 Register Field Descriptions**

| BIT  | FIELD              | TYPE | DEFAULT | DESCRIPTION  |
|------|--------------------|------|---------|--|
| 15:9 |                    | R/W  |         | Program to Register Map default values   |
| 8:0  | ACAL_VCO_IDAC_STRT | R/W  | 300     | This register is used to aid the VCO amplitude calibration function (ACAL_EN). By default the amplitude calibration function searches from the low end of VCO_IDAC until it reaches the target value. This can be set to a value closer to the target value, then the amplitude calibration time can be shortened (suggested value 300). |

**Table 19. R22 Register Field Descriptions**

| BIT  | FIELD       | TYPE | DEFAULT | DESCRIPTION   |
|------|-------------|------|---------|---|
| 15:8 |             | R/W  |         | Program to Register Map default values  |
| 7:0  | VCO_CAPCTRL | R/W  | 0       | This is the VCO capacitor bank code (or CAPCTRL value). When VCO_CAPCTRL is over-riden with VCO_CAPCTRL_OVR=1, VCO frequency calibration function (FCAL_EN) is not used. VCO_CAPCTRL register can be programmed to set the frequency in that core. VCO_SEL_FORCE=1 has to be set and VCO_SEL to select the VCO core, then CAPCTRL values between 0 to 183 will produce frequencies within this core (0 being the highest frequency and 183 the lowest). |

**Table 20. R23 Register Field Descriptions**

| BIT   | FIELD             | TYPE | DEFAULT | DESCRIPTION   |
|-------|-------------------|------|---------|---|
| 15    |                   | R/W  |         | Program to Register Map default values  |
| 14    | FCAL_VCO_SEL_STRT | R/W  | 0       | This is a register that aids the frequency calibration function. When this is enabled, a VCO core can be selected for the frequency calibration to start at, set by register VCO_SEL. By default the frequency calibration starts from VCO core 7 and works its way down. If you want for example to lock to a frequency in VCO core 1, you can set VCO_SEL to 2, so the calibration will start at VCO core 2 and end at target frequency at VCO core 1 faster. |
| 13:11 | VCO_SEL           | R/W  | 1       | This is the register used to select VCO cores. It works for VCO_CAPCTRL when VCO_CAPCTRL_OVR=1 and VCO_SEL_FORCE=1. It also aids the frequency calibration function with FCAL_VCO_SEL_STRT.   |
| 10    | VCO_SEL_FORCE     | R/W  | 0       | This register works to force selection of VCO cores. If VCO_CAPCTRL_OVR=1 and this register is enabled, you can select the VCO core to use with VCO_SEL.  |
| 9:0   |                   | R/W  |         | Program to Register Map default values  |

**Table 21. R24 Register Field Descriptions**

| BIT  | FIELD | TYPE | DEFAULT | DESCRIPTION        |
|------|-------|------|---------|--------------------|
| 15:0 |       | R/W  |         | Program to default |

**Table 22. R25 Register Field Descriptions**

| BIT  | FIELD | TYPE | DEFAULT | DESCRIPTION                            |
|------|-------|------|---------|--|
| 15:0 |       | R/W  |         | Program to Register Map default values |

**Table 23. R28 Register Field Descriptions**

| BIT  | FIELD | TYPE | DEFAULT | DESCRIPTION                            |
|------|-------|------|---------|--|
| 15:0 |       | R/W  |         | Program to Register Map default values |

**Table 24. R29 Register Field Descriptions**

| BIT  | FIELD | TYPE | DEFAULT | DESCRIPTION                            |
|------|-------|------|---------|--|
| 15:0 |       | R/W  |         | Program to Register Map default values |



**Table 25. R30 Register Field Descriptions**

| BIT   | FIELD       | TYPE | DEFAULT | DESCRIPTION                                   |
|-------|-------------|------|---------|---|
| 15:11 |             | R/W  |         | Program to Register Map default values        |
| 10    | MASH_DITHER | R/W  | 0       | MASH dithering: toggle on/off to randomize    |
| 9:1   |             | R/W  |         | Program to Register Map default values        |
| 0     | VCO_2X_EN   | R/W  | 0       | Enable VCO doubler<br>1: enable<br>0: disable |

**Table 26. R31 Register Field Descriptions**

| BIT   | FIELD         | TYPE | DEFAULT | DESCRIPTION  |
|-------|---------------|------|---------|--|
| 15:11 |               | R/W  |         | Program to Register Map default values                                     |
| 10    | VCO_DISTB_PD  | R/W  | 1       | Power down buffer between VCO and output B<br>1: power down<br>0: power up |
| 9     | VCO_DISTA_PD  | R/W  | 0       | Power down buffer between VCO and output A<br>1: power down<br>0: power up |
| 8     |               | R/W  |         | Program to Register Map default values                                     |
| 7     | CHDIV_DIST_PD | R/W  | 0       | Power down buffer between VCO and channel divider                          |
| 6:0   |               | R/W  |         | Program to Register Map default values                                     |

**Table 27. R32 Register Field Descriptions**

| BIT  | FIELD | TYPE | DEFAULT | DESCRIPTION                            |
|------|-------|------|---------|--|
| 15:0 |       | R/W  |         | Program to Register Map default values |

**Table 28. R33 Register Field Descriptions**

| BIT  | FIELD | TYPE | DEFAULT | DESCRIPTION                            |
|------|-------|------|---------|--|
| 15:0 |       | R/W  |         | Program to Register Map default values |

**Table 29. R34 Register Field Descriptions**

| BIT  | FIELD    | TYPE | DEFAULT | DESCRIPTION   |
|------|----------|------|---------|---|
| 15:6 |          | R/W  |         | Program to Register Map default values                      |
| 5    | CHDIV_EN | R/W  | 1       | Enable entire channel divider<br>1: enable<br>0: power down |
| 4:0  |          | R/W  |         | Program to Register Map default values                      |

**Table 30. R35 Register Field Descriptions**

| BIT   | FIELD         | TYPE | DEFAULT | DESCRIPTION  |
|-------|---------------|------|---------|--|
| 15:13 |               | R/W  |         | Program to Register Map default values   |
| 12:9  | CHDIV_SEG2    | R/W  | 1       | Channel divider segment 2<br>8: divide-by-8<br>4: divide-by-6<br>2: divide-by-4<br>1: divide-by-2<br>0: PD |
| 8     | CHDIV_SEG3_EN | R/W  | 0       | Channel divider segment 3<br>1: enable<br>0: power down (power down if not needed)                         |
| 7     | CHDIV_SEG2_EN | R/W  | 0       | Channel divider segment 2<br>1: enable<br>0: power down (power down if not needed)                         |
| 6:3   |               | R/W  |         | Program to Register Map default values   |
| 2     | CHDIV_SEG1    | R/W  | 1       | Channel divider segment 1<br>1: divide-by-3<br>0: divide-by-2  |
| 1     | CHDIV_SEG1_EN | R/W  | 0       | Channel divider segment 1<br>1: enable<br>0: power down (power down if not needed)                         |

**Table 30. R35 Register Field Descriptions (continued)**

| BIT | FIELD | TYPE | DEFAULT | DESCRIPTION                            |
|-----|-------|------|---------|--|
| 0   |       | R/W  |         | Program to Register Map default values |

**Table 31. R36 Register Field Descriptions**

| BIT   | FIELD          | TYPE | DEFAULT | DESCRIPTION  |
|-------|----------------|------|---------|--|
| 15:12 |                | R/W  |         | Program to Register Map default values   |
| 11    | CHDIV_DISTB_EN | R/W  | 0       | Enable buffer between channel divider and output B<br>1: enable<br>0: disable  |
| 10    | CHDIV_DISTA_EN | R/W  | 1       | Enable buffer between channel divider and output A<br>1: enable<br>0: disable  |
| 9:7   |                | R/W  |         | Program to Register Map default values   |
| 6:4   | CHDIV_SEG_SEL  | R/W  | 1       | Channel divider segment select<br>4: includes channel divider segment 1,2 and 3<br>2: includes channel divider segment 1 and 2<br>1: includes channel divider segment 1<br>0: PD |
| 3:0   | CHDIV_SEG3     | R/W  | 1       | Channel divider segment 3<br>8: divide-by-8<br>4: divide-by-6<br>2: divide-by-4<br>1: divide-by-2<br>0: PD   |

**Table 32. R37 Register Field Descriptions**

| BIT   | FIELD     | TYPE | DEFAULT | DESCRIPTION  |
|-------|-----------|------|---------|--|
| 15:13 |           | R/W  |         | Program to Register Map default values                   |
| 12    | PLL_N_PRE | R/W  | 0       | N-divider pre-scalar<br>1: divide-by-4<br>0: divide-by-2 |
| 11:0  |           | R/W  |         | Program to Register Map default values                   |

**Table 33. R38 Register Field Descriptions**

| BIT   | FIELD | TYPE | DEFAULT | DESCRIPTION                            |
|-------|-------|------|---------|--|
| 15:13 |       | R/W  |         | Program to Register Map default values |
| 12:1  | PLL_N | R/W  | 27      | Integer part of N-divider              |
| 0     |       | R/W  |         | Program to Register Map default values |

**Table 34. R39 Register Field Descriptions**

| BIT   | FIELD   | TYPE | DEFAULT | DESCRIPTION  |
|-------|---------|------|---------|--|
| 15:14 |         | R/W  |         | Program to Register Map default values   |
| 13:8  | PFD_DLY | R/W  | 2       | PFD Delay<br>32: Not used<br>16: 16 clock cycle delay<br>8: 12 clock cycle delay<br>4: 8 clock cycle delay<br>2: 6 clock cycle delay<br>1: 4 clock cycle delay |
| 7:0   |         | R/W  |         | Program to Register Map default values   |

**Table 35. R40 Register Field Descriptions**

| BIT  | FIELD          | TYPE | DEFAULT | DESCRIPTION                           |
|------|----------------|------|---------|---------------------------------------|
| 15:0 | PLL_DEN[31:16] | R/W  | 1000    | Denominator MSB of N-divider fraction |

**Table 36. R41 Register Field Descriptions**

| BIT  | FIELD         | TYPE | DEFAULT | DESCRIPTION                           |
|------|---------------|------|---------|---------------------------------------|
| 15:0 | PLL_DEN[15:0] | R/W  | 1000    | Denominator LSB of N-divider fraction |

**Table 37. R42 Register Field Descriptions**

| BIT  | FIELD            | TYPE | DEFAULT | DESCRIPTION   |
|------|------------------|------|---------|---------------|
| 15:0 | MASH_SEED[31:16] | R/W  | 0       | MASH seed MSB |

**Table 38. R43 Register Field Descriptions**

| BIT  | FIELD           | TYPE | DEFAULT | DESCRIPTION   |
|------|-----------------|------|---------|---------------|
| 15:0 | MASH_SEED[15:0] | R/W  | 0       | MASH seed LSB |

**Table 39. R44 Register Field Descriptions**

| BIT  | FIELD          | TYPE | DEFAULT | DESCRIPTION                         |
|------|----------------|------|---------|-------------------------------------|
| 15:0 | PLL_NUM[31:16] | R/W  | 0       | Numerator MSB of N-divider fraction |

**Table 40. R45 Register Field Descriptions**

| BIT  | FIELD         | TYPE | DEFAULT | DESCRIPTION                         |
|------|---------------|------|---------|-------------------------------------|
| 15:0 | PLL_NUM[15:0] | R/W  | 0       | Numerator LSB of N-divider fraction |

**Table 41. R46 Register Field Descriptions**

| BIT  | FIELD      | TYPE | DEFAULT | DESCRIPTION  |
|------|------------|------|---------|--|
| 15   |            | R/W  |         | Program to Register Map default values   |
| 13:8 | OUTA_POW   | R/W  | 15      | Output buffer A power increase power from 0 to 31 extra boost from 48 to 63  |
| 7    | OUTB_PD    | R/W  | 1       | Output buffer B power down<br>1: power down<br>0: power up   |
| 6    | OUTA_PD    | R/W  | 0       | Output buffer A power down<br>1: power down<br>0: power up   |
| 5    | MASH_EN    | R/W  | 1       | Enable sigma-delta modulator   |
| 4:3  |            | R/W  |         | Program to Register Map default values   |
| 2:0  | MASH_ORDER | R/W  | 3       | Sigma-delta modulator order<br>4: fourth order<br>3: third order<br>2: second order<br>1: first order<br>0: integer mode |

**Table 42. R47 Register Field Descriptions**

| BIT   | FIELD    | TYPE | DEFAULT | DESCRIPTION   |
|-------|----------|------|---------|---|
| 15:13 |          | R/W  |         | Program to Register Map default values  |
| 12:11 | OUTA_MUX | R/W  | 0       | Selects signal to the output buffer<br>2,3: reserved<br>1: Selects output from VCO<br>0: Selects the channel divider output |
| 10:6  |          | R/W  |         | Program to Register Map default values  |
| 5:0   | OUTB_POW | R/W  | 0       | Output buffer B power increase power from 0 to 31 extra boost from 48 to 63   |

**Table 43. R48 Register Field Descriptions**

| BIT  | FIELD    | TYPE | DEFAULT | DESCRIPTION   |
|------|----------|------|---------|---|
| 15:2 |          | R/W  |         | Program to Register Map default values  |
| 1:0  | OUTB_MUX | R/W  | 0       | Selects signal to the output buffer<br>2,3: reserved<br>1: Selects output from VCO<br>0: Selects the channel divider output |

**Table 44. R59 Register Field Descriptions**

| BIT  | FIELD       | TYPE | DEFAULT | DESCRIPTION   |
|------|-------------|------|---------|---|
| 15:6 |             | R/W  |         | Program to Register Map default values                              |
| 5    | MUXOUT_HDRV | R/W  | 0       | This bit enables higher current output at MUXOUT pin if value is 1. |
| 4:0  |             | R/W  |         | Program to Register Map default values                              |

**Table 45. R61 Register Field Descriptions**

| BIT  | FIELD   | TYPE | DEFAULT | DESCRIPTION  |
|------|---------|------|---------|--|
| 15:1 |         | R/W  |         | Program to Register Map default values   |
| 0    | LD_TYPE | R/W  | 1       | To use lock detect, set MUXOUT_SEL=1. Use this register to select type of lock detect:<br>0: Calibration status detect (this indicates if the auto-calibration process has completed successfully and will output from MUXout pin a logic HIGH when successful). 1: vtune detect (this checks if vtune is in the expected range of voltages and outputs from MUXout pin a logic HIGH if device is locked and LOW if unlocked). |

**Table 46. R62 Register Field Descriptions**

| BIT  | FIELD | TYPE | DEFAULT | DESCRIPTION                            |
|------|-------|------|---------|--|
| 15:0 |       | R/W  |         | Program to Register Map default values |

**Table 47. R64 Register Field Descriptions**

| BIT   | FIELD      | TYPE | DEFAULT | DESCRIPTION  |
|-------|------------|------|---------|--|
| 15:10 |            | R/W  |         | Program to Register Map default values                           |
| 9     | ACAL_FAST  | R/W  | 0       | Enable fast amplitude calibration<br>1: enable<br>0: disable     |
| 8     | FCAL_FAST  | R/W  | 0       | Enable fast frequency calibration<br>1: enable<br>0: disable     |
| 7:5   | AJUMP_SIZE | R/W  | 3       | When ACAL_FAST=1, use this register to select the jump increment |
| 4     |            | R/W  |         | Program to Register Map default values                           |
| 3:0   | FJUMP_SIZE | R/W  | 15      | When FCAL_FAST=1, use this register to select the jump increment |

## 8 Application and Implementation

### NOTE

Information in the following applications sections is not part of the TI component specification, and TI does not warrant its accuracy or completeness. TI's customers are responsible for determining suitability of components for their purposes. Customers should validate and test their design implementation to confirm system functionality.

### 8.1 Application Information

#### 8.1.1 Optimization of Spurs

##### 8.1.1.1 Understanding Spurs by Offsets

The first step in optimizing spurs is to be able to identify them by offset. Figure 23 gives a good example that can be used to isolate the following spur types.

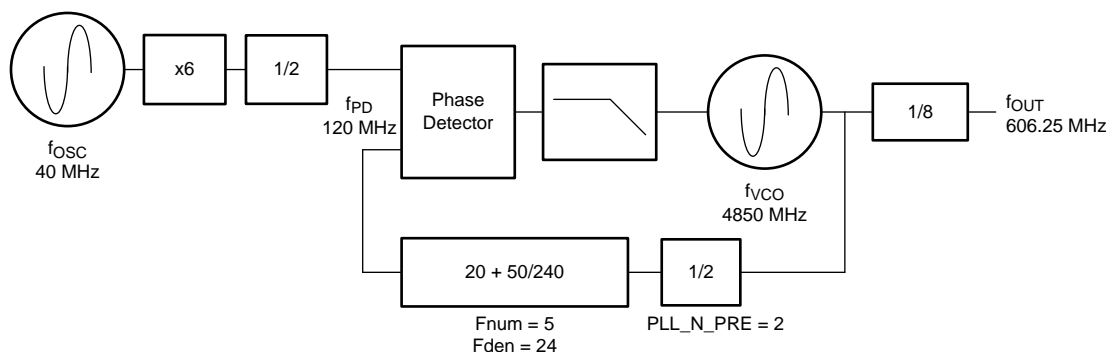


Figure 23. Spur Offset Frequency Example

Based on Figure 23, the most common spurs can be calculated from the frequencies. Note that the % is the modulus operator and is meant to mean the difference to the closest integer multiple. Some examples of how to use this operator are:  $36 \% 11 = 3$ ,  $1000.1 \% 50 = 0.1$ , and  $5023.7 \% 122.88 = 14.38$ . Applying this concept, the spurs at various offsets can be identified from Figure 23.

Table 48. Spur Definition Table

| SPUR TYPE            | OFFSET                                    | OFFSET IN Figure 23                  | COMMENTS   |
|----------------------|---|--------------------------------------|--|
| OSCin                | $f_{osc}$                                 | 40 MHz                               | This spur occurs at harmonics of the OSCin frequency.  |
| Fpd                  | $f_{PD}$                                  | 120 MHz                              | The phase detector spur has many possible mechanisms and occurs at multiples of the phase detector frequency.                                |
| $f_{OUT} \% f_{OSC}$ | $f_{OUT} \% f_{OSC}$                      | $606.25 \% 40 = 6.25$ MHz            | This spur is caused by mixing between the output and input frequencies.  |
| $f_{VCO} \% f_{OSC}$ | $f_{VCO} \% f_{OSC}$                      | $4850 \% 40 = 10$ MHz                | This spur is caused by mixing between the VCO and input frequencies.   |
| $f_{VCO} \% f_{PD}$  | $f_{VCO} \% f_{PD}$                       | $4850 \% 120 = 50$ MHz               | This spur would be the same offset as the integer boundary spur if $PLL\_N\_PRE=1$ , but can be different if this value is greater than one. |
| Integer Boundary     | $f_{PD} * (F_{num} \% F_{den}) / F_{den}$ | $120 \times (5 \% 24) / 24 = 25$ MHz | This is a single spur  |
| Primary Fractional   | $f_{PD} / F_{den}$                        | $120 / 24 = 5$ MHz                   | The primary fractional   |

**Application Information (continued)**
**Table 48. Spur Definition Table (continued)**

| SPUR TYPE      | OFFSET                                | OFFSET IN <a href="#">Figure 23</a>  | COMMENTS   |
|----------------|---------------------------------------|--|--|
| Sub-Fractional | $f_{PD} / F_{den} / k$<br>k=2,3, or 6 | First Order Modulator: None<br>2nd Order Modulator: $120/24/2 = 2.5$ MHz<br>3rd Order Modulator: $120/24/6 = 0.83333$ MHz<br>4th Order Modulator: $120/24/12 = 0.416666$ MHz | To Calculate k:<br>1st Order Modulator: k=1<br>2nd Order Modulator: k=1 if Fden is odd, k=2 if Fden is even<br>3rd Order Modulator: k=1 if Fden not divisible by 2 or 3, k=2 if Fden divisible by 2 not 3, k=3 if Fden divisible by 3 but not 2, Fden = 6 if Fden divisible by 2 and 3<br>4th Order Modulator: k=1 if Fden not divisible by 2 or 3, k=3 if Fden divisible by 3 but not 2, k=4 if Fden divisible by 2 but not 3, k=12 if Fden divisible by 2 and 3<br>Sub-Fractional Spurs exist if k>1 |

In the case that two different spur types occur at the same offset, either name would be correct. Some may name this by the more dominant cause, while others would simply name by choosing the name that is near the top of [Table 48](#).

**8.1.1.2 Spur Mitigation Techniques**

Once the spur is identified and understood, there will likely be a desire to try to minimize them. [Table 49](#) gives some common methods.

**Table 49. Spurs and Mitigation Techniques**

| SPUR TYPE            | WAYS TO REDUCE  | TRADE-OFF   |
|----------------------|---|---|
| OSCin                | <ol style="list-style-type: none"> <li>Use PLL_N_PRE = 2</li> <li>Use an OSCin signal with low amplitude and high slew rate (like LVDS).</li> </ol>   |   |
| Phase Detector       | <ol style="list-style-type: none"> <li>Decrease PFD_DLY</li> <li>To pin 11, use a series ferrite bead and a shunt 0.1-<math>\mu</math>F capacitor.</li> </ol>   |   |
| $f_{OUT} \% f_{OSC}$ | Use an OSCin signal with low amplitude and high slew rate (like LVDS)   |   |
| $f_{VCO} \% f_{OSC}$ | <ol style="list-style-type: none"> <li>To pin 7, use a series ferrite bead and a shunt 0.1-<math>\mu</math>F capacitor.</li> <li>Increase the offset of this spur by shifting the VCO frequency</li> <li>If multiple VCO frequencies are possible that yield the same spur offset, choose the higher VCO frequency.</li> </ol>  |   |
| $f_{VCO} \% f_{PD}$  | Avoid this spur by shifting the phase detector frequency (with the programmable input multiplier or R divider) or shifting the VCO frequency. This spur is better at higher VCO frequency.  |   |
| Integer Boundary     | <b>Methods for PLL Dominated Spurs</b> <ol style="list-style-type: none"> <li>Avoid the worst case VCO frequencies if possible.</li> <li>Strategically choose which VCO core to use if possible.</li> <li>Ensure good slew rate and signal integrity at the OSCin pin</li> <li>Reduce the loop bandwidth or add more filter poles for out of band spurs</li> <li>Experiment with modulator order and PFD_DLY</li> </ol> | Reducing the loop bandwidth may degrade the total integrated noise if the bandwidth is too narrow.        |
|                      | <b>Methods for VCO Dominated Spurs</b> <ol style="list-style-type: none"> <li>Avoid the worst case VCO frequencies if possible.</li> <li>Reduce Phase Detector Frequency</li> <li>Ensure good slew rate and signal integrity at the OSCin pin</li> <li>Make the impedance looking outwards from the OSCin pin close to 50 <math>\Omega</math>.</li> </ol>   | Reducing the phase detector may degrade the phase noise and also reduce the capacitance at the Vtune pin. |

**Table 49. Spurs and Mitigation Techniques (continued)**

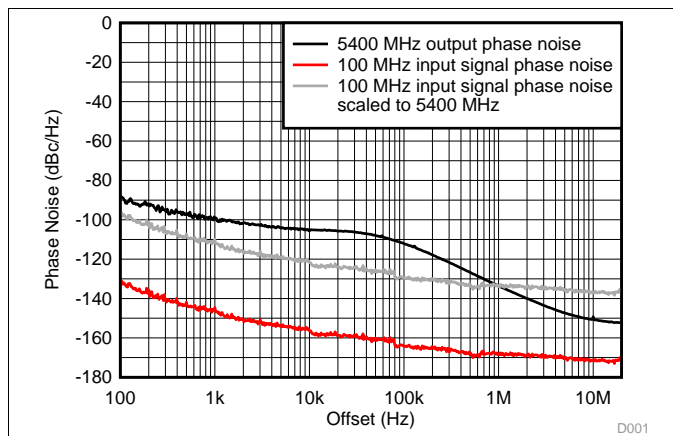
| SPUR TYPE          | WAYS TO REDUCE  | TRADE-OFF  |
|--------------------|---|--|
| Primary Fractional | <ol style="list-style-type: none"> <li>1. Decrease Loop Bandwidth</li> <li>2. Change Modulator Order</li> <li>3. Use Larger Unequivalent Fractions</li> </ol>   | Decreasing the loop bandwidth too much may degrade in-band phase noise. Also, larger unequivalent fractions only sometimes work  |
| Sub-Fractional     | <ol style="list-style-type: none"> <li>1. Use Dithering</li> <li>2. Use MASH seed</li> <li>3. Use Larger Equivalent Fractions</li> <li>4. Use Larger Unequivalent Fractions</li> <li>5. Reduce Modulator Order</li> <li>6. Eliminate factors of 2 or 3 in denominator (see <a href="#">AN-1879 Fractional N Frequency Synthesis</a> (SNAA062))</li> </ol> | Dithering and larger fractions may increase phase noise. MASH_SEED can be set between values 0 and Fden, which changes the sub-fractional spur behavior. This is a deterministic relationship and there will be one seed value that will give best result for this spur. |

**8.1.2 Configuring the Input Signal Path**

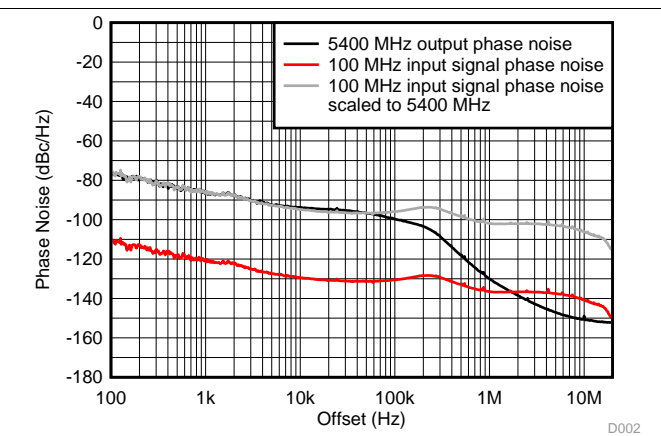
The input path is considered the portion of the device between the OSCin pin and the phase detector, which includes the input buffer, R dividers, and programmable multipliers. The way that these are configured can have a large impact on phase noise and fractional spurs.

**8.1.2.1 Input Signal Noise Scaling**

The input signal noise scales by  $20 \times \log(\text{output frequency} / \text{input signal frequency})$ , so always check this to see if the noise of the input signal scaled to the output frequency is close to the PLL in-band noise level. When that happens, the input signal noise is the dominant noise source, not the PLL noise floor.



**Figure 24. Phase Noise of 5.4-GHz Output With Low-Noise Input Signal**



**Figure 25. Phase Noise of 5.4-GHz Output With High-Noise Input Signal**

**8.1.3 Input Pin Configuration**

The OSCinM and OSCinP can be used to support both a single-ended or differential clock. In either configuration, the termination on both sides should match for best common-mode noise rejection. The slew rate and signal integrity of this signal can have an impact on both the phase noise and fractional spurs. Standard clocking types, LVDS, LVPECL, HCSL, and CMOS can all be used.

**8.1.4 Using the OSCin Doubler**

The lowest PLL flat noise is achieved with a low-noise 200-MHz input signal. If only a low-noise input signal with lower frequency is available (for example a 100-MHz source), you can use the low noise OSCin doubler to attain 200-MHz phase detector frequency. Because  $PLL\_flat = PLL\_FOM + 20 \times \log(Fvco/Fpd) + 10 \times \log(Fpd / 1Hz)$ , doubling Fpd theoretically gets  $-6$  dB from the  $20 \times \log(Fvco/Fpd)$  component,  $+3$  dB from the  $10 \times \log(Fpd / 1Hz)$  component, and cumulatively a  $-3$ -dB improvement.

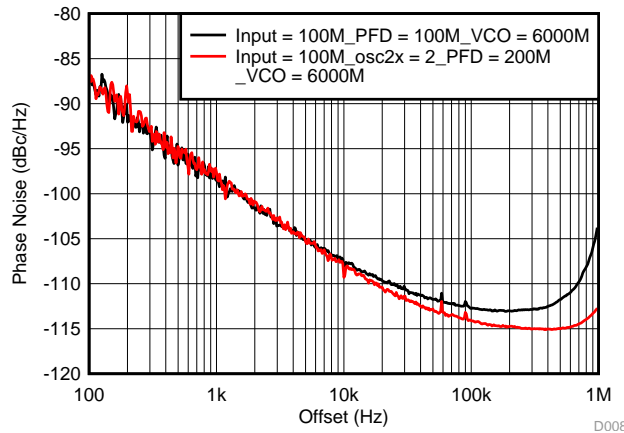


Figure 26. 100MHz Input With OSCin Doubler

### 8.1.5 Using the Input Signal Path Components

The ideal input is a low-noise, 200-MHz (or multiples of it) signal and 200-MHz phase detector frequency (highest dual PFD frequency). However, if spur mechanisms are understood, certain combinations of the R-divider and Multiplier can help. Refer to the *Optimization of Spurs* section for understanding spur types and their mechanisms first, then try this section for these specific spurs.

#### 8.1.5.1 Moving Phase Detector Frequency

Engaging the multiplier in the reference path allows more flexibility in setting the PFD frequency. One example use case of this is if  $F_{vco} \% F_{pd}$  is the dominant spur. This method can move the PFD frequency and thus the  $F_{vco} \% F_{pd}$ .

Example:  $F_{vco} = 3720.12$  MHz,  $F_{osc} = 300$  MHz, Pre-R divider = 5,  $F_{pd} = 60$  MHz,  $F_{vco}\%F_{osc} = 120.12$  MHz (Far out),  $F_{vco}\%F_{pd} = 120$  kHz (dominant). There is a  $F_{vco}\%F_{pd}$  spur at 120 kHz (refer to Figure 27).

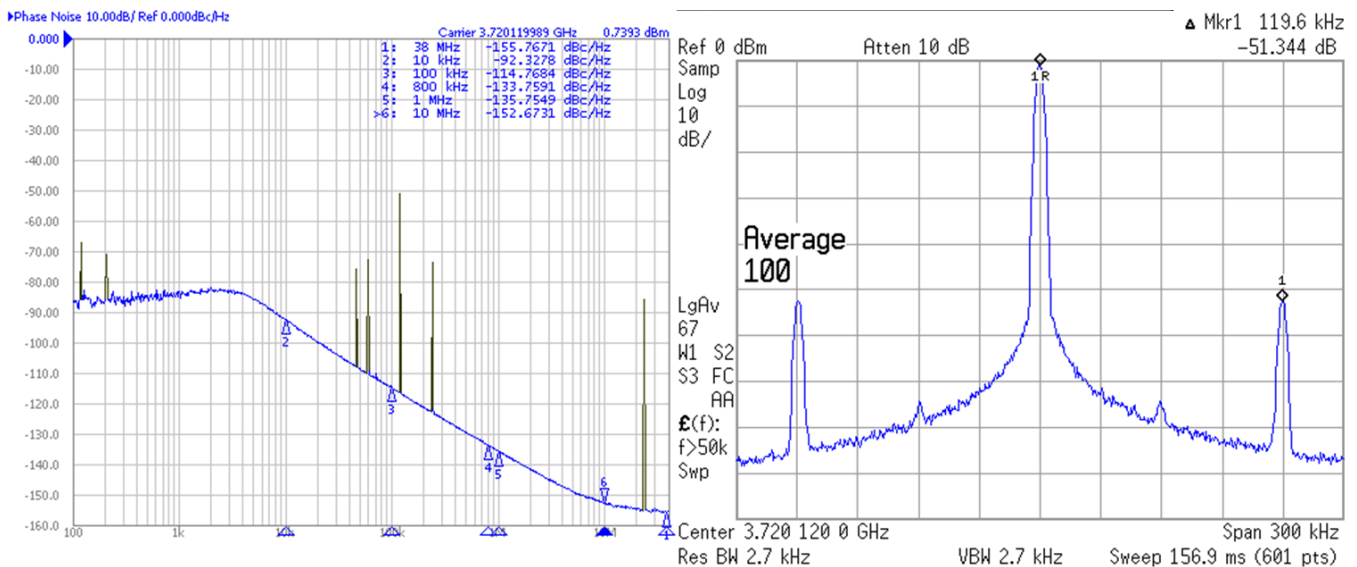


Figure 27.  $F_{vco} \% F_{pd}$  Spur

Then second case, using divider and multiplier, is  $F_{pd} = 53.57$  MHz away from 120-kHz spur.  $F_{vco} = 3720.12$  MHz,  $F_{osc} = 300$  MHz, Pre-R divider = 7, Multiplier = 5, Post-R divider = 4,  $F_{pd} = 53.57$  MHz,  $F_{vco}\%F_{osc} = 120.12$  MHz (Far out).  $F_{vco} \% F_{pd} = 23.79$  MHz (far out). There is a 20-dB reduction for the  $F_{vco} \% F_{pd}$  spur at 120 kHz (refer to Figure 28).



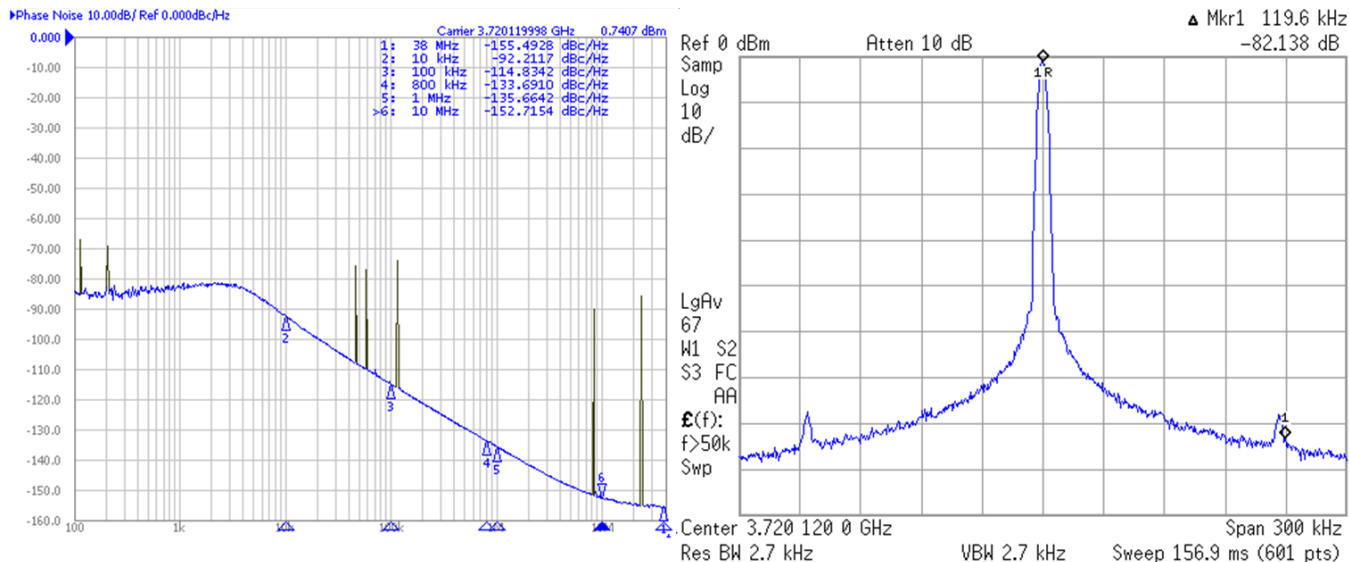


Figure 28. Moving Away From Fvco % Fpd Spur

### 8.1.5.2 Multiplying and Dividing by the Same Value

Although it may not seem like the first thing to try, the Fvco%Fosc and Fout%Fosc spur can sometimes be improved engaging the OSC\_2X bit and then dividing by 2. Although this gives the same phase detector frequency, the spur can be improved.

### 8.1.6 Designing for Output Power

If there is a desired frequency for highest power, use an inductor pullup and design for the value so that the resonance is at that frequency. Use the formula  $SRF = 1 / (2\pi \times \text{sqrt}[L \times C])$ .

Example: C = 1.4 pF (characteristic). If maximum power is targeted at 1 GHz, L = 18 nH. If maximum power is targeted at 3.3 GHz, L = 1.6 nH

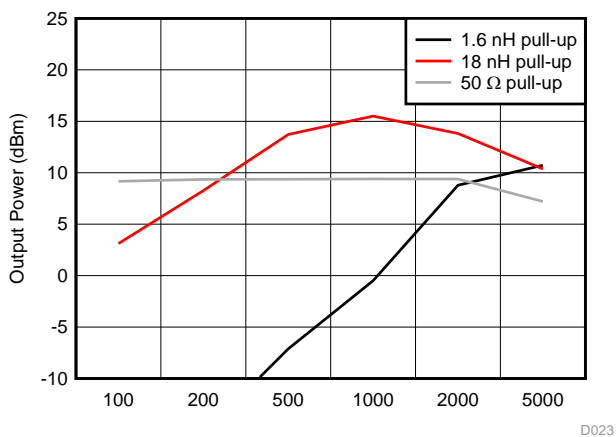


Figure 29. Output Power vs Pullup Type

### 8.1.7 Current Consumption Management

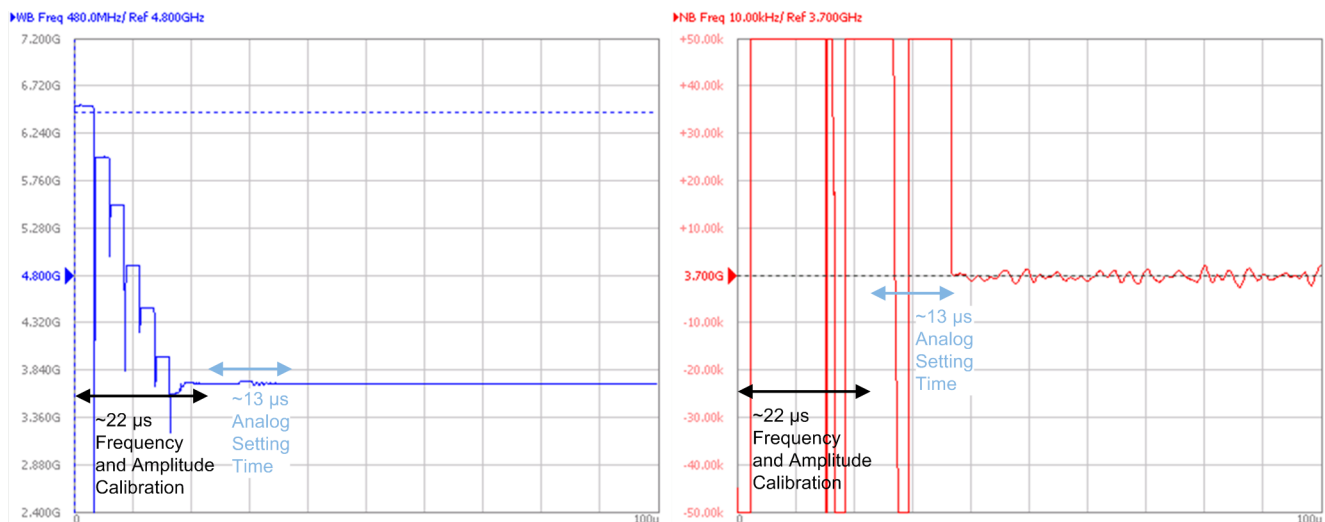
The starting point is the typical total current consumption of 250 mA: 100-MHz input frequency, OSCin doubler bypassed, Pre-R divider bypassed, multiplier bypassed, post-R divider bypassed, 100-MHz phase detector frequency, 0.468-mA charge pump current, channel divider off, one output on, 5400-MHz output frequency, 50-Ω output pullup, 0-dBm output power (differential). To understand current consumption changes due to engaging different functional blocks, refer to Table 50.

**Table 50. Typical Current Consumption Impact By Function**

| ACTION  | STEPS                             | PROGRAMMING        | INCREASE IN CURRENT (mA) |
|---|-----------------------------------|--------------------|--------------------------|
| Use input signal path                                 | Enable OSCin doubler              | OSC_2X = 1         | 7                        |
|   | Enable multiplier                 | MULT = 3,4,5, or 6 | 10                       |
| Add an output   | Route VCO to output B             | VCO_DISTB_PD = 0   | 8                        |
|   | Enable output B buffer            | OUTB_PD = 0        | 54                       |
| Increase output power from 0 to +10dBm (differential) | Set highest output buffer current | OUTA_POW = 63      | 53                       |
| Use channel divider                                   | Route channel divider to output   | CHDIV_DISTA_EN = 1 | 5                        |
|   | Enable channel divider            | CHDIV_EN = 1       | 18                       |
|   | Enable chdiv_seg1                 | CHDIV_SEG1_EN = 1  | 2                        |
|   | Enable chdiv_seg2                 | CHDIV_SEG2_EN = 1  | 5                        |
|   | Enable chdiv_seg3                 | CHDIV_SEG3_EN = 1  | 5                        |

### 8.1.8 Decreasing Lock Time

A calibration time of 590  $\mu$ s typically to lock to 7-GHz VCO can be achieved with default settings as specified in the [Electrical Characteristics](#) table. There are several registers that can be programmed to speed up this time. Lock time consists of the calibration time (time required to calibrate the VCO to the correct frequency range) plus the analog settling time (time lock the PLL in phase and frequency). For fast calibration set registers FCAL\_FAST = 1 and ACAL\_FAST = 1. Also set the calibration clock frequency [input reference frequency] / 2<sup>CAL\_CLK\_DIV</sup> to 200 MHz. The 20- $\mu$ s range lock time can be achieved if the amplitude comparator delay is low, set by register ACAL\_CMP\_DLY (5 in this example). If this is too low there is not enough time to make the decision of VCO amplitude to use and may result in non-optimal phase noise. The other approach is to turn off amplitude calibration with ACAL\_EN=0, then manually choose the amplitude with VCO\_IDAC (350 for example). This will also result in 20- $\mu$ s range calibration time. There are many other registers that can aid calibration time, for example ACAL\_VCO\_IDAC\_START lets the user choose what VCO amplitude to start with during amplitude calibration. Setting this value to around 350 will give faster times because it is close to the final amplitude for most final frequencies. FCAL\_VCO\_SEL\_START allows you to choose the VCO core to start with for the calibration instead of starting from core 7 by default. If you know you are locking to a frequency around VCO core 1, you can start from VCO 2 by setting VCO\_SEL=2, which should give faster lock times. Go to the [Register Maps](#) section for detailed information of these registers and their related registers. For fast analog settling time, design loop filter for very wide loop bandwidth (MHz range).



**Figure 30. Lock Time Screenshot**

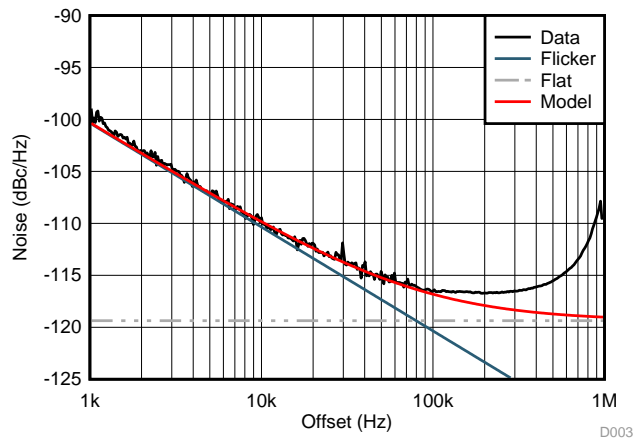
The calibration sweeps from the top of the VCO frequency range to the bottom. This example does a calibration to lock at 3.7 GHz (which is the worst case). For the left screenshot (Wideband Frequency view), see the sweeping from top to bottom of the VCO range. On the right screenshot (Narrowband Frequency view), see the analog settling time to the precise target frequency.

**8.1.9 Modeling and Understanding PLL FOM and Flicker Noise**

Follow these recommended settings to design for wide loop bandwidth and extract FOM and flicker noise. The flat model is the PLL noise floor modeled by:  $PLL\_flat = PLL\_FOM + 20 \times \log(Fvco/Fpd) + 10 \times \log(Fpd / 1 \text{ Hz})$ . The flicker noise (also known as 1/f noise) which changes by  $-10\text{dB} / \text{decade}$ , is modeled by:  $PLL\_flicker \text{ (offset)} = PLL\_flicker\_Norm + 20 \times \log(Fvco / 1 \text{ GHz}) - 10 \times \log(\text{offset} / 10\text{k Hz})$ . The cumulative model is the addition of both components:  $PLL\_Noise = 10 \times \log(10PLL\_Flat / 10 + 10PLL\_flicker / 10)$ . This is adjusted to fit the the measured data to extract the PLL\_FOM and PLL\_flicker\_Norm spec numbers.

**Table 51. Wide Loop Filter Design**

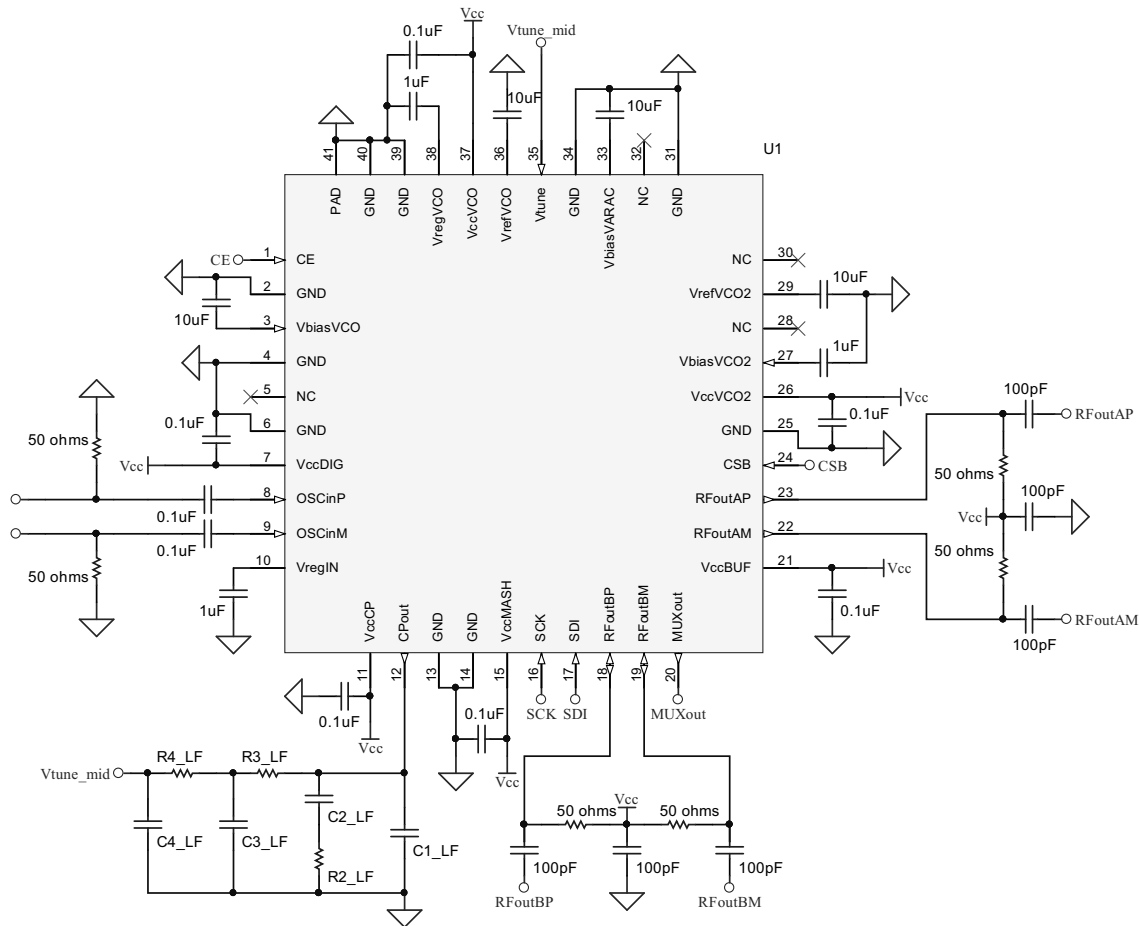
| PARAMETER               | VALUE |
|-------------------------|-------|
| PFD (MHz)               | 200   |
| Charge pump (mA)        | 12    |
| VCO frequency (MHz)     | 5400  |
| Loop bandwidth (kHz)    | 2000  |
| Phase margin (degrees)  | 30    |
| Gamma                   | 1.4   |
| Loop filter (2nd order) |       |
| C1 (nF)                 | 0.01  |
| C2 (nF)                 | 0.022 |
| R2 (kΩ)                 | 4.7   |



**Figure 31. FOM and Flicker Noise Modeling**

## 8.2 Typical Application

### 8.2.1 Design for Low Jitter



Copyright © 2016, Texas Instruments Incorporated

Figure 32. Typical Application Schematic

#### 8.2.1.1 Design Requirements

Refer to the design parameters shown in Table 52.

Table 52. Design Information

| PARAMETER               | VALUE |
|-------------------------|-------|
| PFD (MHz)               | 200   |
| Charge pump (mA)        | 20    |
| VCO frequency (MHz)     | 1800  |
| Loop bandwidth (kHz)    | 210   |
| Phase margin (degrees)  | 70    |
| Gamma                   | 3.8   |
| Loop filter (2nd order) |       |
| C1 (nF)                 | 4.7   |
| C2 (nF)                 | 100   |
| R2 ( $\Omega$ )         | 68    |

### 8.2.1.2 Detailed Design Procedure

The integration of phase noise over a certain bandwidth (jitter) is an performance specification that translates to signal-to-noise ratio. Phase noise inside the loop bandwidth is dominated by the PLL, while the phase noise outside the loop bandwidth is dominated by the VCO. As a rule of thumb, jitter is lowest if loop bandwidth is designed to the point where the two intersect. A higher phase margin loop filter design has less peaking at the loop bandwidth and thus lower jitter. The tradeoff with this as longer lock times and spurs should be considered in design as well.

### 8.2.1.3 Application Curve

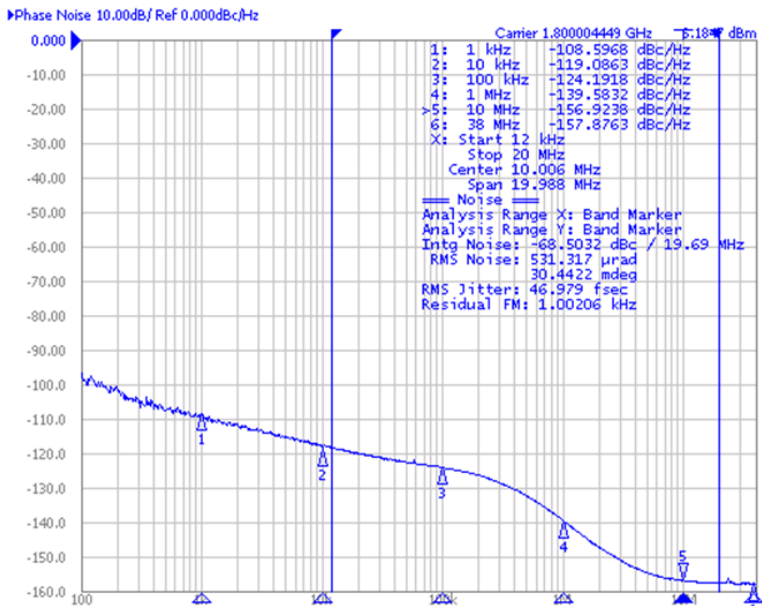


Figure 33. Typical Jitter

## 9 Power Supply Recommendations

TI recommends placing 100-nF spurs close to each of the power supply pins. If fractional spurs are a large concern, using a ferrite bead to each of these power supply pins can reduce spurs to a small degree.

## 10 Layout

### 10.1 Layout Guidelines

See EVM instructions for details. In general, the layout guidelines are similar to most other PLL devices. The followings are some outstanding guidelines.

- Place output pull up components close to the pin.
- Place capacitors close to the pins.
- Make sure input signal trace is well matched.
- Do not route any traces that carrying switching signal close to the charge pump traces and external VCO.

### 10.2 Layout Example

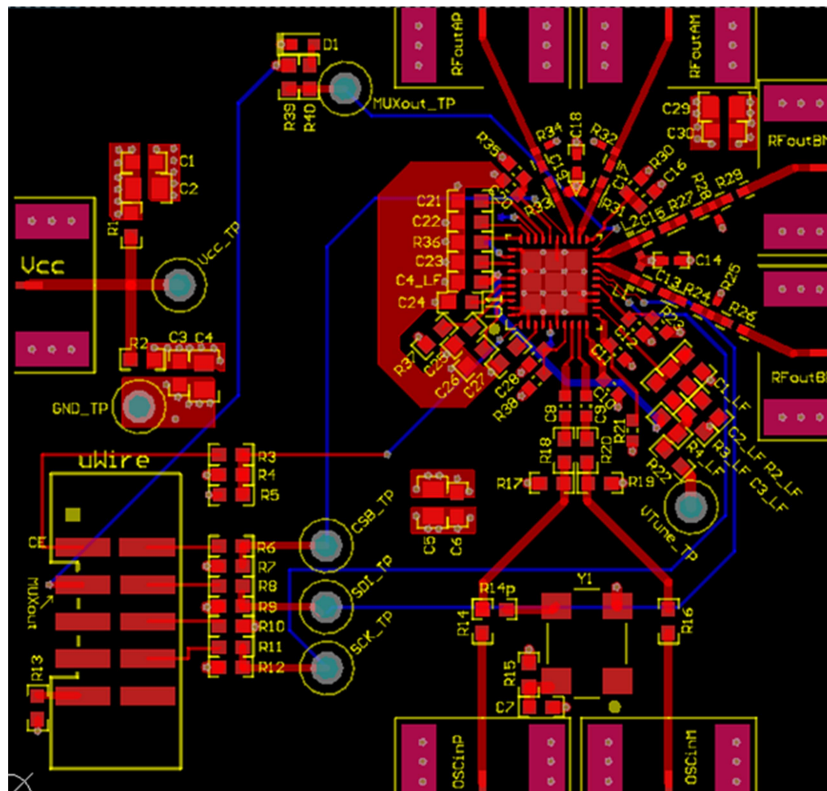


Figure 34. Recommended Layout

## 11 Device and Documentation Support

### 11.1 Device Support

#### 11.1.1 Development Support

Texas Instruments has several software tools to aid in the development at [www.ti.com](http://www.ti.com). Among these tools are:

- [CodeLoader](#) to understand how to program the EVM board.
- [Clock Design Tool](#) for designing loop filters, simulating phase noise, and simulating spurs.
- [EVM board instructions](#) for seeing typical measured data with detailed measurement conditions and a complete design.
- [Clock Architect](#) for designing and simulating the device and understanding how it might work with other devices.

### 11.2 Documentation Support

#### 11.2.1 Related Documentation

The following are recommended reading.

- [AN-1879 Fractional N Frequency Synthesis](#) (SNAA062)
- [PLL Performance, Simulation, and Design Handbook](#) (SNAA106)
- [9.8 GHz RF High Performance Synthesizer Operating From a Buck Converter Reference Design](#) (TIDUC22)
- [RF Sampling S-Band Radar Receiver Reference Design](#) (TIDUBS6)
- [9.8GHz RF CW Signal Generator Using Integrated Synthesizer With Spur Reduction Reference Design](#) (TIDUBM1)
- [2-GHz Complex Bandwidth DC-Coupled 14-bit Digitizer Reference Design](#) (TIDRLM6)

### 11.3 Receiving Notification of Documentation Updates

To receive notification of documentation updates, navigate to the device product folder on [ti.com](http://ti.com). In the upper right corner, click on *Alert me* to register and receive a weekly digest of any product information that has changed. For change details, review the revision history included in any revised document.

### 11.4 Community Resources

The following links connect to TI community resources. Linked contents are provided "AS IS" by the respective contributors. They do not constitute TI specifications and do not necessarily reflect TI's views; see TI's [Terms of Use](#).

**TI E2E™ Online Community** *TI's Engineer-to-Engineer (E2E) Community*. Created to foster collaboration among engineers. At [e2e.ti.com](http://e2e.ti.com), you can ask questions, share knowledge, explore ideas and help solve problems with fellow engineers.

**Design Support** *TI's Design Support* Quickly find helpful E2E forums along with design support tools and contact information for technical support.

### 11.5 Trademarks

E2E is a trademark of Texas Instruments.  
All other trademarks are the property of their respective owners.

### 11.6 Electrostatic Discharge Caution



These devices have limited built-in ESD protection. The leads should be shorted together or the device placed in conductive foam during storage or handling to prevent electrostatic damage to the MOS gates.

### 11.7 Glossary

[SLYZ022](#) — *TI Glossary*.

This glossary lists and explains terms, acronyms, and definitions.

## 12 Mechanical, Packaging, and Orderable Information

The following pages include mechanical, packaging, and orderable information. This information is the most current data available for the designated devices. This data is subject to change without notice and revision of this document. For browser-based versions of this data sheet, refer to the left-hand navigation.



**PACKAGING INFORMATION**

| Orderable Device | Status<br>(1) | Package Type | Package Drawing | Pins | Package Qty | Eco Plan<br>(2)         | Lead/Ball Finish<br>(6) | MSL Peak Temp<br>(3) | Op Temp (°C) | Device Marking<br>(4/5) | Samples                 |
|------------------|---------------|--------------|-----------------|------|-------------|-------------------------|-------------------------|----------------------|--------------|-------------------------|-------------------------|
| LMX2582RHAR      | ACTIVE        | VQFN         | RHA             | 40   | 2500        | Green (RoHS & no Sb/Br) | CU NIPDAUAG             | Level-3-260C-168 HR  | -40 to 85    | LMX2582                 | <a href="#">Samples</a> |
| LMX2582RHAT      | ACTIVE        | VQFN         | RHA             | 40   | 250         | Green (RoHS & no Sb/Br) | CU NIPDAUAG             | Level-3-260C-168 HR  | -40 to 85    | LMX2582                 | <a href="#">Samples</a> |

(1) The marketing status values are defined as follows:

**ACTIVE:** Product device recommended for new designs.

**LIFEBUY:** TI has announced that the device will be discontinued, and a lifetime-buy period is in effect.

**NRND:** Not recommended for new designs. Device is in production to support existing customers, but TI does not recommend using this part in a new design.

**PREVIEW:** Device has been announced but is not in production. Samples may or may not be available.

**OBSELETE:** TI has discontinued the production of the device.

(2) **RoHS:** TI defines "RoHS" to mean semiconductor products that are compliant with the current EU RoHS requirements for all 10 RoHS substances, including the requirement that RoHS substance do not exceed 0.1% by weight in homogeneous materials. Where designed to be soldered at high temperatures, "RoHS" products are suitable for use in specified lead-free processes. TI may reference these types of products as "Pb-Free".

**RoHS Exempt:** TI defines "RoHS Exempt" to mean products that contain lead but are compliant with EU RoHS pursuant to a specific EU RoHS exemption.

**Green:** TI defines "Green" to mean the content of Chlorine (Cl) and Bromine (Br) based flame retardants meet JS709B low halogen requirements of <=1000ppm threshold. Antimony trioxide based flame retardants must also meet the <=1000ppm threshold requirement.

(3) MSL, Peak Temp. - The Moisture Sensitivity Level rating according to the JEDEC industry standard classifications, and peak solder temperature.

(4) There may be additional marking, which relates to the logo, the lot trace code information, or the environmental category on the device.

(5) Multiple Device Markings will be inside parentheses. Only one Device Marking contained in parentheses and separated by a "-" will appear on a device. If a line is indented then it is a continuation of the previous line and the two combined represent the entire Device Marking for that device.

(6) Lead/Ball Finish - Orderable Devices may have multiple material finish options. Finish options are separated by a vertical ruled line. Lead/Ball Finish values may wrap to two lines if the finish value exceeds the maximum column width.

**Important Information and Disclaimer:**The information provided on this page represents TI's knowledge and belief as of the date that it is provided. TI bases its knowledge and belief on information provided by third parties, and makes no representation or warranty as to the accuracy of such information. Efforts are underway to better integrate information from third parties. TI has taken and continues to take reasonable steps to provide representative and accurate information but may not have conducted destructive testing or chemical analysis on incoming materials and chemicals. TI and TI suppliers consider certain information to be proprietary, and thus CAS numbers and other limited information may not be available for release.

In no event shall TI's liability arising out of such information exceed the total purchase price of the TI part(s) at issue in this document sold by TI to Customer on an annual basis.



## TAPE AND REEL INFORMATION



### QUADRANT ASSIGNMENTS FOR PIN 1 ORIENTATION IN TAPE



\*All dimensions are nominal

| Device      | Package Type | Package Drawing | Pins | SPQ  | Reel Diameter (mm) | Reel Width W1 (mm) | A0 (mm) | B0 (mm) | K0 (mm) | P1 (mm) | W (mm) | Pin1 Quadrant |
|-------------|--------------|-----------------|------|------|--------------------|--------------------|---------|---------|---------|---------|--------|---------------|
| LMX2582RHAR | VQFN         | RHA             | 40   | 2500 | 330.0              | 16.4               | 6.3     | 6.3     | 1.5     | 12.0    | 16.0   | Q1            |
| LMX2582RHAT | VQFN         | RHA             | 40   | 250  | 178.0              | 16.4               | 6.3     | 6.3     | 1.5     | 12.0    | 16.0   | Q1            |

**TAPE AND REEL BOX DIMENSIONS**


\*All dimensions are nominal

| Device      | Package Type | Package Drawing | Pins | SPQ  | Length (mm) | Width (mm) | Height (mm) |
|-------------|--------------|-----------------|------|------|-------------|------------|-------------|
| LMX2582RHAR | VQFN         | RHA             | 40   | 2500 | 367.0       | 367.0      | 38.0        |
| LMX2582RHAT | VQFN         | RHA             | 40   | 250  | 210.0       | 185.0      | 35.0        |

RHA (S-PVQFN-N40)

PLASTIC QUAD FLATPACK NO-LEAD



Bottom View

4204276/E 06/11

- NOTES:
- All linear dimensions are in millimeters. Dimensioning and tolerancing per ASME Y14.5M-1994.
  - This drawing is subject to change without notice.
  - QFN (Quad Flatpack No-Lead) Package configuration.
  - The package thermal pad must be soldered to the board for thermal and mechanical performance.
  - See the additional figure in the Product Data Sheet for details regarding the exposed thermal pad features and dimensions.
  - Package complies to JEDEC MO-220 variation VJJD-2.

## IMPORTANT NOTICE

Texas Instruments Incorporated (TI) reserves the right to make corrections, enhancements, improvements and other changes to its semiconductor products and services per JESD46, latest issue, and to discontinue any product or service per JESD48, latest issue. Buyers should obtain the latest relevant information before placing orders and should verify that such information is current and complete.

TI's published terms of sale for semiconductor products (<http://www.ti.com/sc/docs/stdterms.htm>) apply to the sale of packaged integrated circuit products that TI has qualified and released to market. Additional terms may apply to the use or sale of other types of TI products and services.

Reproduction of significant portions of TI information in TI data sheets is permissible only if reproduction is without alteration and is accompanied by all associated warranties, conditions, limitations, and notices. TI is not responsible or liable for such reproduced documentation. Information of third parties may be subject to additional restrictions. Resale of TI products or services with statements different from or beyond the parameters stated by TI for that product or service voids all express and any implied warranties for the associated TI product or service and is an unfair and deceptive business practice. TI is not responsible or liable for any such statements.

Buyers and others who are developing systems that incorporate TI products (collectively, "Designers") understand and agree that Designers remain responsible for using their independent analysis, evaluation and judgment in designing their applications and that Designers have full and exclusive responsibility to assure the safety of Designers' applications and compliance of their applications (and of all TI products used in or for Designers' applications) with all applicable regulations, laws and other applicable requirements. Designer represents that, with respect to their applications, Designer has all the necessary expertise to create and implement safeguards that (1) anticipate dangerous consequences of failures, (2) monitor failures and their consequences, and (3) lessen the likelihood of failures that might cause harm and take appropriate actions. Designer agrees that prior to using or distributing any applications that include TI products, Designer will thoroughly test such applications and the functionality of such TI products as used in such applications.

TI's provision of technical, application or other design advice, quality characterization, reliability data or other services or information, including, but not limited to, reference designs and materials relating to evaluation modules, (collectively, "TI Resources") are intended to assist designers who are developing applications that incorporate TI products; by downloading, accessing or using TI Resources in any way, Designer (individually or, if Designer is acting on behalf of a company, Designer's company) agrees to use any particular TI Resource solely for this purpose and subject to the terms of this Notice.

TI's provision of TI Resources does not expand or otherwise alter TI's applicable published warranties or warranty disclaimers for TI products, and no additional obligations or liabilities arise from TI providing such TI Resources. TI reserves the right to make corrections, enhancements, improvements and other changes to its TI Resources. TI has not conducted any testing other than that specifically described in the published documentation for a particular TI Resource.

Designer is authorized to use, copy and modify any individual TI Resource only in connection with the development of applications that include the TI product(s) identified in such TI Resource. NO OTHER LICENSE, EXPRESS OR IMPLIED, BY ESTOPPEL OR OTHERWISE TO ANY OTHER TI INTELLECTUAL PROPERTY RIGHT, AND NO LICENSE TO ANY TECHNOLOGY OR INTELLECTUAL PROPERTY RIGHT OF TI OR ANY THIRD PARTY IS GRANTED HEREIN, including but not limited to any patent right, copyright, mask work right, or other intellectual property right relating to any combination, machine, or process in which TI products or services are used. Information regarding or referencing third-party products or services does not constitute a license to use such products or services, or a warranty or endorsement thereof. Use of TI Resources may require a license from a third party under the patents or other intellectual property of the third party, or a license from TI under the patents or other intellectual property of TI.

TI RESOURCES ARE PROVIDED "AS IS" AND WITH ALL FAULTS. TI DISCLAIMS ALL OTHER WARRANTIES OR REPRESENTATIONS, EXPRESS OR IMPLIED, REGARDING RESOURCES OR USE THEREOF, INCLUDING BUT NOT LIMITED TO ACCURACY OR COMPLETENESS, TITLE, ANY EPIDEMIC FAILURE WARRANTY AND ANY IMPLIED WARRANTIES OF MERCHANTABILITY, FITNESS FOR A PARTICULAR PURPOSE, AND NON-INFRINGEMENT OF ANY THIRD PARTY INTELLECTUAL PROPERTY RIGHTS. TI SHALL NOT BE LIABLE FOR AND SHALL NOT DEFEND OR INDEMNIFY DESIGNER AGAINST ANY CLAIM, INCLUDING BUT NOT LIMITED TO ANY INFRINGEMENT CLAIM THAT RELATES TO OR IS BASED ON ANY COMBINATION OF PRODUCTS EVEN IF DESCRIBED IN TI RESOURCES OR OTHERWISE. IN NO EVENT SHALL TI BE LIABLE FOR ANY ACTUAL, DIRECT, SPECIAL, COLLATERAL, INDIRECT, PUNITIVE, INCIDENTAL, CONSEQUENTIAL OR EXEMPLARY DAMAGES IN CONNECTION WITH OR ARISING OUT OF TI RESOURCES OR USE THEREOF, AND REGARDLESS OF WHETHER TI HAS BEEN ADVISED OF THE POSSIBILITY OF SUCH DAMAGES.

Unless TI has explicitly designated an individual product as meeting the requirements of a particular industry standard (e.g., ISO/TS 16949 and ISO 26262), TI is not responsible for any failure to meet such industry standard requirements.

Where TI specifically promotes products as facilitating functional safety or as compliant with industry functional safety standards, such products are intended to help enable customers to design and create their own applications that meet applicable functional safety standards and requirements. Using products in an application does not by itself establish any safety features in the application. Designers must ensure compliance with safety-related requirements and standards applicable to their applications. Designer may not use any TI products in life-critical medical equipment unless authorized officers of the parties have executed a special contract specifically governing such use. Life-critical medical equipment is medical equipment where failure of such equipment would cause serious bodily injury or death (e.g., life support, pacemakers, defibrillators, heart pumps, neurostimulators, and implantables). Such equipment includes, without limitation, all medical devices identified by the U.S. Food and Drug Administration as Class III devices and equivalent classifications outside the U.S.

TI may expressly designate certain products as completing a particular qualification (e.g., Q100, Military Grade, or Enhanced Product). Designers agree that it has the necessary expertise to select the product with the appropriate qualification designation for their applications and that proper product selection is at Designers' own risk. Designers are solely responsible for compliance with all legal and regulatory requirements in connection with such selection.

Designer will fully indemnify TI and its representatives against any damages, costs, losses, and/or liabilities arising out of Designer's non-compliance with the terms and provisions of this Notice.