

TPS92638-Q1 具有 PWM 调光功能的 8 通道线性 LED 驱动器

1 特性

- 符合汽车应用要求
 - 器件温度 1 级: -40°C 至 125°C 的环境运行温度范围
 - 器件人体模型 (HBM) 静电放电 (ESD) 分类等级 H2
 - 器件充电器件模型 (CDM) ESD 分类等级 C3B
- 具有模拟和脉宽调制 (PWM) 调光功能的 8 通道 LED 驱动器
- 宽输入电压范围: $5\text{V} - 40\text{V}$
- 由基准电阻器设定的可调恒定输出电流
 - 最大电流: 每通道 70mA
 - 最大电流: 并行工作模式下为 560mA
 - 精度: 每通道 $\pm 3\%$
 - 精度: 每个器件 $\pm 4\%$
- PWM 调光输入 (PWM)
 - 开/关延时: $25\mu\text{s}$ (典型值), $45\mu\text{s}$ (最大值)
- 4 组 PWM 调光功能, 可控制 8 个通道
- 通过去毛刺脉冲实现 LED 开路和短路检测
- 用于报告开路、短路和热关断故障的故障引脚, 允许并行总线最多连接 15 个器件
- 高温电流折返功能, 可防止热关断, 具有可编程阈值
- 一个用于停车灯电流设定点的电阻
- 一个用于尾灯电流设定点的电阻
- 工作结温范围: -40°C 至 150°C
- 封装: 20 引脚耐热增强型 PWP 封装 (PDSO)

2 应用

LED 照明应用 (例如, 日行灯、航行灯、雾灯、后灯、停车灯或尾灯、室内照明)

3 说明

TPS92638-Q1 是一款具有 PWM 调光控制功能的 8 通道线性 LED 驱动器。其设计非常适合用于将多个 LED 灯串驱动至中等功率范围。

该器件可驱动多达八个灯串, 每个灯串上可有一到三个 LED, 每个通道的总电流高达 70mA 。可通过将多个输出并行以提供高达 560mA 的驱动电流。

在多灯串应用中, 该器件的优势在于可为 LED 灯串提供共阴极连接。因此, 对于具有低端电流感测功能的系统而言, 只需要一条回线即可, 而无需为每个 LED 灯串配一条回线。

该器件能够使 LED 电流在高电流与低电流之间切换, 以分别满足停车灯和尾灯应用的需求。可通过两个基准电阻为每个输出设置这两种 LED 电流级别。

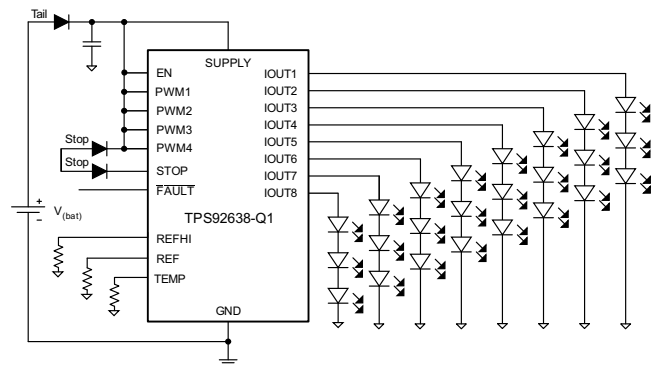
该器件包含温度监控器, 可在集成电路 (IC) 结温超过温度阈值时降低 LED 驱动电流。温度阈值可通过外部电阻进行编程。将 TEMP 引脚接地面可禁用热电流监视功能。可在出厂程序中选择将结温以模拟电压的形式输出。

器件信息(1)

器件型号	封装	封装尺寸 (标称值)
TPS92638-Q1	HTSSOP (20)	6.50mm x 4.40mm

(1) 如需了解所有可用封装, 请见数据表末尾的可订购产品附录。

4 典型应用电路原理图



目录

1	特性	1	9.1	Overview	13
2	应用	1	9.2	Functional Block Diagram	13
3	说明	1	9.3	Feature Description	14
4	典型应用电路原理图	1	9.4	Device Functional Modes	20
5	修订历史记录	2	10	Application and Implementation	21
6	Pin Configuration and Functions	3	10.1	Application Information	21
7	Specifications	4	10.2	Typical Applications	21
7.1	Absolute Maximum Ratings	4	11	Power Supply Recommendations	28
7.2	ESD Ratings	4	12	Layout	28
7.3	Recommended Operating Conditions	4	12.1	Layout Guidelines	28
7.4	Thermal Information	4	12.2	Layout Example	29
7.5	Electrical Characteristics	5	12.3	Thermal Information	29
7.6	Switching Characteristics	6	13	器件和文档支持	31
7.7	Typical Characteristics	7	13.1	商标	31
8	Parameter Measurement Information	12	13.2	静电放电警告	31
9	Detailed Description	13	13.3	术语表	31
			14	机械封装和可订购信息	31

5 修订历史记录

Changes from Revision A (November 2014) to Revision B Page

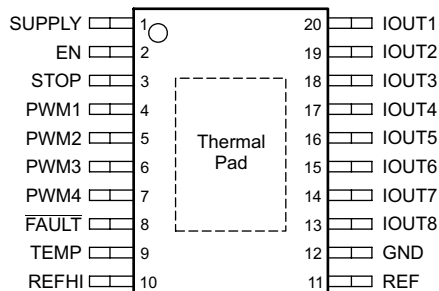
• 已更改通道精度和器件精度的值	1
• 已删除说明部分第四段的文本	1

Changes from Original (September 2014) to Revision A Page

• 已更改 特性列表中的一些条目	1
• 已更改 应用部分的条目	1
• 已更改 说明部分的段落文本	1
• Deleted the existing Pin Functions table and replaced with new one	3
• Added new sections and subsections to the data sheet beginning with the Specifications section	4

6 Pin Configuration and Functions

**20-Pin PDSO With PowerPAD Package
PWP Package
(Top View)**



Pin Functions

PIN		I/O	DESCRIPTION
NAME	NO.		
EN	2	I	Enable and shutdown
FAULT	8	I/O	Fault pin
GND	12	—	Ground
IOUT1	20	O	Current output pin
IOUT2	19	O	Current output pin
IOUT3	18	O	Current output pin
IOUT4	17	O	Current output pin
IOUT5	16	O	Current output pin
IOUT6	15	O	Current output pin
IOUT7	14	O	Current output pin
IOUT8	13	O	Current output pin
PWM1	4	I	PWM input and channel ON-OFF for CH1 and CH2
PWM2	5	I	PWM input and channel ON-OFF for CH3 and CH4
PWM3	6	I	PWM input and channel ON-OFF for CH5 and CH6
PWM4	7	I	PWM input and channel ON-OFF for CH7 and CH8
REF	11	I	Reference resistor terminal for normal current setting
REFHI	10	I	Reference resistor pin for stop light current setting
STOP	3	I	Signal input for the stop light
SUPPLY	1	I	Input pin – VBAT supply
TEMP	9	I	Temperature foldback threshold programming

7 Specifications

7.1 Absolute Maximum Ratings

 over operating free-air temperature range (unless otherwise noted)⁽¹⁾

		MIN	MAX	UNIT
SUPPLY, IOUTx, PWMx, EN, STOP	Unregulated input ⁽²⁾ ⁽³⁾	-0.3	45	V
$\overline{\text{FAULT}}$	See ⁽²⁾	-0.3	22	V
REF, REFHI, TEMP	See ⁽²⁾	-0.3	7	V
T _J	Virtual junction temperature range	-40	150	°C
T _A	Operating ambient temperature range	-40	125	°C
T _{stg}	Storage temperature range	-65	150	°C

- (1) Stresses beyond those listed under *Absolute Maximum Ratings* may cause permanent damage to the device. These are stress ratings only, which do not imply functional operation of the device at these or any other conditions beyond those indicated under *Recommended Operating Conditions*. Exposure to absolute-maximum-rated conditions for extended periods may affect device reliability.
- (2) All voltage values are with respect to GND.
- (3) Absolute maximum voltage 45 V for 200 ms

7.2 ESD Ratings

			VALUE	UNIT	
V _(ESD)	Electrostatic discharge	Human body model (HBM), per AEC Q100-002 ⁽¹⁾	±2000	V	
		Charged device model (CDM), per AEC Q100-011	Corner pins (SUPPLY, IOUT1, REF and REFHI)		±750
			Other pins		±500

- (1) AEC Q100-002 indicates that HBM stressing shall be in accordance with the ANSI/ESDA/JEDEC JS-001 specification.

7.3 Recommended Operating Conditions

over operating free-air temperature range (unless otherwise noted)

		MIN	NOM	MAX	UNIT
SUPPLY		5		40	V
V _{IH}	EN, STOP	2		40	V
	$\overline{\text{FAULT}}$	2		20	
	PWMx	2		40	
V _{IL}	EN, STOP	0		0.7	V
	$\overline{\text{FAULT}}$	0		0.7	
	PWMx	0		0.7	
REF, REFHI, TEMP		0		5	V
T _J	Operating junction temperature range	-40		150	°C

7.4 Thermal Information

THERMAL METRIC ⁽¹⁾		TPS92638-Q1	UNIT
		PWP (HTSSOP)	
		20 PINS	
R _{θJA}	Junction-to-ambient thermal resistance	37.8	°C/W
R _{θJC(top)}	Junction-to-case (top) thermal resistance	25.2	°C/W
R _{θJB}	Junction-to-board thermal resistance	21.7	°C/W
Ψ _{JT}	Junction-to-top characterization parameter	0.8	°C/W
Ψ _{JB}	Junction-to-board characterization parameter	21.5	°C/W
R _{θJC(bot)}	Junction-to-case (bottom) thermal resistance	2.1	°C/W

- (1) For more information about traditional and new thermal metrics, see the *Semiconductor and IC Package Thermal Metrics* application report, [SPRA953](#).

7.5 Electrical Characteristics

 $V_{(VIN)} = 14\text{ V}$, $T_J = -40^\circ\text{C}$ to 150°C (unless otherwise stated)

PARAMETER		TEST CONDITIONS	MIN	TYP	MAX	UNIT
SUPPLY VOLTAGE AND CURRENT (SUPPLY)						
$I_{(Quiescent)}$	Quiescent current	$V_{(PWMx)}$, $V_{(EN)} = \text{high}$, $I_{(IOUTx)} = 40\text{ mA}$	0.5	0.6	0.9	mA
$I_{(Shutdown)}$	Shutdown current	$V_{(PWMx)} = 0\text{ V}$, $V_{(EN)} = 0\text{ V}$			10	μA
$I_{(fault)}$	Shutdown current in fault mode (device to GND)	$V_{(PWMx)}$, $V_{(EN)} = \text{high}$, $V_{(FAULT)} = \text{low}$, $V_{(SUPPLY)} = 5\text{ V to } 40\text{ V}$, $I_{(IOUTx)} = 30\text{ mA}$	0.5	0.75	1	mA
	Shutdown current in fault mode (from SUPPLY)				1.15	
PWM, EN, STOP						
$I_{(EN-pd)}$	EN internal pulldown	$V_{(EN)} = 0\text{ V to } 40\text{ V}$	0.5		5	μA
$V_{IH(PWMx)}$	Logic input, high level ⁽¹⁾	PWMx rising from a low state, IOUTx disabled	1.161	1.222	1.283	V
$V_{IL(PWMx)}$	Logic input, low level ⁽¹⁾	PWMx falling from a high state, IOUTx enabled	1.119	1.178	1.237	V
$V_{(PWM-hys)}$	Hysteresis			44		mV
$I_{(PWM-pd)}$	PWMx internal pulldown current	$V_{(PWMx)} = 0\text{ V to } 20\text{ V}$		180	300	nA
		$V_{(PWMx)} = 20\text{ V to } 40\text{ V}$		0.2	2	μA
$I_{(STOP-PD)}$	STOP internal pulldown	$V_{(STOP)} = 0\text{ V to } 40\text{ V}$	0.1		1	μA
CURRENT REGULATION (IOUTx)						
$I_{(IOUTx)}$	Regulated output current range	Each channel, $V_{(PWMx)} = \text{high}$, $V_{(EN)} = \text{high}$ $V_{(SUPPLY)} > 5\text{ V}$, $V_{(IOUTx)} > 0.9\text{ V}$	2		70	mA
$I_{(IOUT_TOTAL)}$		8 channels in parallel mode, $V_{(PWMx)} = \text{high}$, $V_{(EN)} = \text{high}$, $V_{(SUPPLY)} > 5\text{ V}$, $V_{(IOUTx)} > 0.9\text{ V}$	16		560	mA
$\Delta I_{O(\text{channel})}$	Channel accuracy	$5\text{ mA} \leq I_{(IOUTx)} < 10\text{ mA}$, $V_{(SUPPLY)} = 5\text{ V} - 40\text{ V}$ Channel accuracy = $(I_{(IOUTx)} - I_{(avg)}) / I_{(avg)}$ ⁽²⁾	-7%		7%	
		$10\text{ mA} \leq I_{(IOUTx)} \leq 70\text{ mA}$, $V_{(SUPPLY)} = 5\text{ V} - 40\text{ V}$ Channel accuracy = $(I_{(IOUTx)} - I_{(avg)}) / I_{(avg)}$ ⁽²⁾	-3%		3%	
		$2\text{ mA} \leq I_{(IOUTx)} < 5\text{ mA}$, $V_{(SUPPLY)} = 5\text{ V} - 40\text{ V}$ Channel accuracy = $(I_{(IOUTx)} - I_{(avg)}) / I_{(avg)}$ ⁽²⁾	-18%		18%	
$\Delta I_{O(\text{device})}$	Device accuracy	$5\text{ mA} \leq I_{(IOUTx)} < 10\text{ mA}$, $V_{(SUPPLY)} = 5\text{ V to } 20\text{ V}$ Device accuracy = $(I_{(IOUTx)} - I_{(setting)}) / I_{(setting)}$ ⁽³⁾	-8%		8%	
		$10\text{ mA} \leq I_{(IOUTx)} \leq 70\text{ mA}$, $V_{(SUPPLY)} = 5\text{ V to } 20\text{ V}$ Device accuracy = $(I_{(IOUTx)} - I_{(setting)}) / I_{(setting)}$ ⁽³⁾	-4%		4%	
		$2\text{ mA} \leq I_{(IOUTx)} < 5\text{ mA}$, $V_{(SUPPLY)} = 5\text{ V to } 20\text{ V}$ Device accuracy = $(I_{(IOUTx)} - I_{(setting)}) / I_{(setting)}$ ⁽³⁾	-20%		20%	
		$5\text{ mA} \leq I_{(IOUTx)} < 10\text{ mA}$, $V_{(SUPPLY)} = 20\text{ V to } 40\text{ V}$ Device accuracy = $(I_{(IOUTx)} - I_{(setting)}) / I_{(setting)}$ ⁽³⁾	-10%		10%	
		$10\text{ mA} \leq I_{(IOUTx)} \leq 70\text{ mA}$, $V_{(SUPPLY)} = 20\text{ V to } 40\text{ V}$ Device accuracy = $(I_{(IOUTx)} - I_{(setting)}) / I_{(setting)}$ ⁽³⁾	-8%		8%	
		$2\text{ mA} \leq I_{(IOUTx)} < 5\text{ mA}$, $V_{(SUPPLY)} = 20\text{ V to } 40\text{ V}$ Device accuracy = $(I_{(IOUTx)} - I_{(setting)}) / I_{(setting)}$ ⁽³⁾	-20%		20%	
$V_{(REF)}$	Reference voltage	$I_{(IOUTx)} = 20\text{ mA}$	1.198	1.222	1.246	V
$V_{(REFHI)}$	STOP reference voltage		1.198	1.222	1.246	V
$G_{(I)}$	Ratio of $I_{(IOUTx)}$ to reference current $I_{(IOUTx)} / I_{(REF)}$ or $I_{(IOUTx)} / (I_{(REF)} + I_{(REFHI)})$			200		mA/mA
$V_{(DROP_IOUTx)}$	Dropout voltage	$I_{(IOUTx)} = 70\text{ mA}$		0.71	0.9	V
$V_{(DROP)}$		$I_{(IOUTx)} = 35\text{ mA}$		0.28	0.45	V

(1) V_{IH} and V_{IL} track each other. That is, both are simultaneously at MAX, MIN, or the same intermediate point. Therefore, there can be no overlap of the V_{IH} and V_{IL} values during normal operation.

(2) $I_{(AVG)} = [I_{(IOUT1)} + I_{(IOUT2)} + I_{(IOUT3)} + I_{(IOUT4)} + I_{(IOUT5)} + I_{(IOUT6)} + I_{(IOUT7)} + I_{(IOUT8)}] / 8$

(3) $I_{(setting)}$ is the target current set by $R_{(REF)}$.

Electrical Characteristics (continued)
 $V_{(VIN)} = 14\text{ V}$, $T_J = -40^\circ\text{C}$ to 150°C (unless otherwise stated)

PARAMETER	TEST CONDITIONS	MIN	TYP	MAX	UNIT
$I_{(slew)}$ Current slew-rate rise and fall times	Current rising from 10% to 90% or falling from 90% to 10% at $I_{(IOUTX)} = 35\text{ mA}$. ⁽⁴⁾	1.5	6	12	mA/ μs
	Current rising from 10% to 90% or falling from 90% to 10% at $I_{(IOUTX)} = 70\text{ mA}$. ⁽⁴⁾	3	6	12	mA/ μs
FAULT (FAULT)					
V_{OL} Logic output low level	500- μA external pullup			0.4	V
V_{OH} Logic output high level	1- μA external pulldown	2			V
$I_{(pulldown)}$ Strong pulldown current		600	780	1000	μA
$I_{(pullup)}$ Pullup current		4	8	12	μA
PROTECTION					
$V_{(OL_th)}$ Open-load detection voltage $V_{(OL_TH)} = V_{(SUPPLY)} - V_{(IOUTX)}$		50	100	150	mV
$V_{(OL_hys)}$ Open-load detection hysteresis		100	200	300	mV
$V_{(SHORT_th)}$ Short-detection voltage		0.846	0.89	0.935	V
$V_{(SHORT_hys)}$ Short-detection hysteresis		318	335	352	mV
$N_{(SHORT_deg)}$ Open-load detection PWM deglitch cycle number		7		8	Cycles
$R_{(REF_th)}$, $R_{(REFHI_th)}$ REF and REFHI pins, parallel-resistor short detection		1400		2300	Ω
THERMAL MONITOR					
$T_{(shutdown)}$ Thermal shutdown		155	170		$^\circ\text{C}$
$T_{(hys)}$ Thermal shutdown hysteresis			15		$^\circ\text{C}$
$T_{(th)}$ Thermal foldback activation temperature	$I_{(IOUTX)} = 90\% \times I_{(setting)}$, TEMP terminal floating	95	110	125	$^\circ\text{C}$
$I_{(TFC-min)}$ Minimum foldback current, ratio of $I_{(setting)}$		40%	50%	60%	
$V_{(T-disable)}$ Thermal-foldback-function disable threshold of $V_{(TEMP)}$		0		0.2	V
$K_{(temp1)}$ Change of $V_{(TEMP)}$ relative to $T_{(J)}$			25		mV/ $^\circ\text{C}$

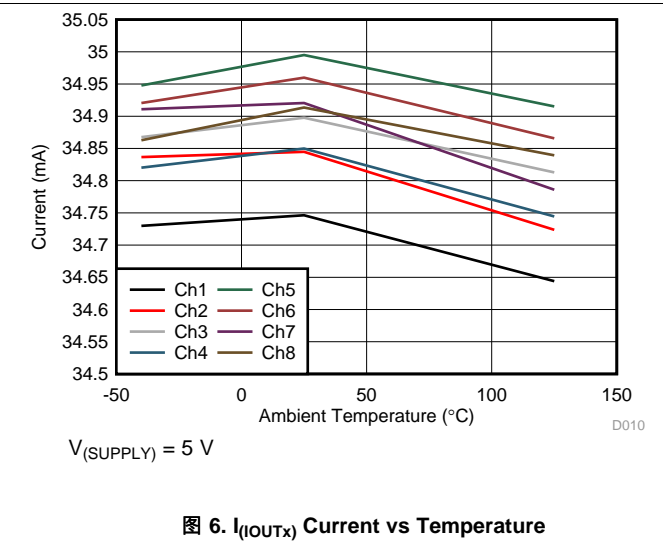
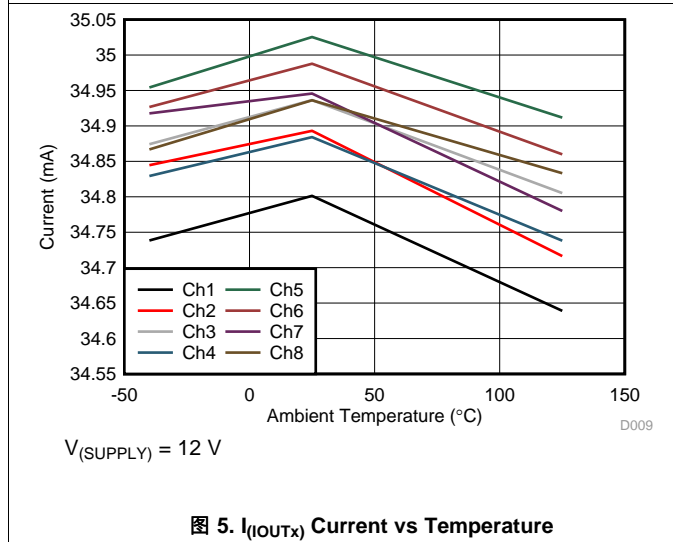
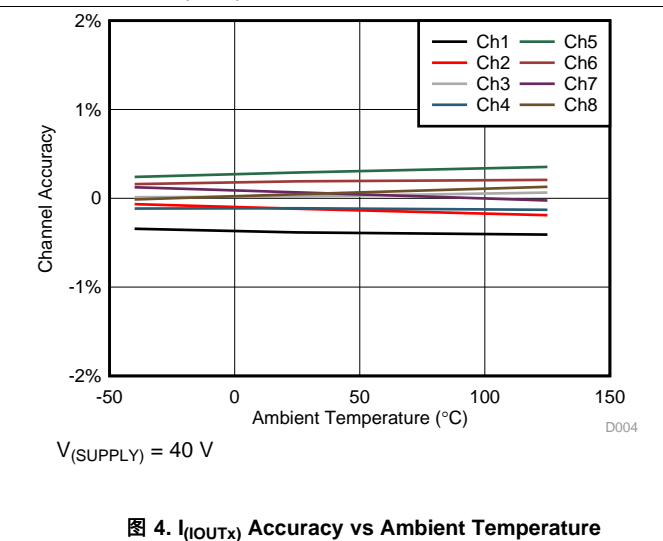
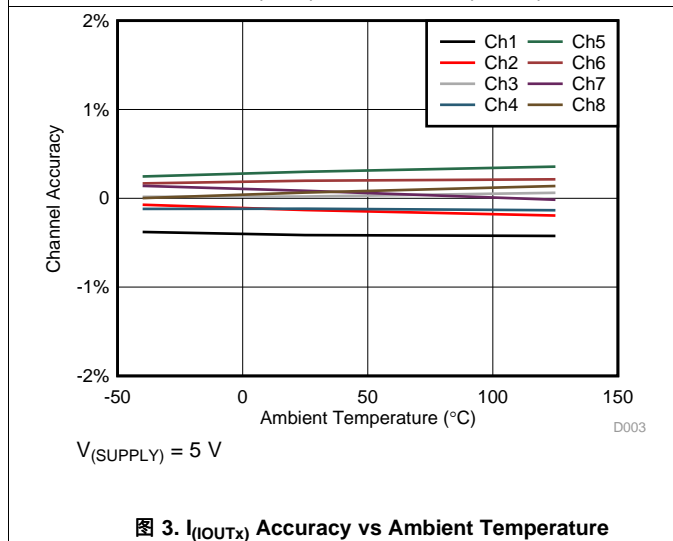
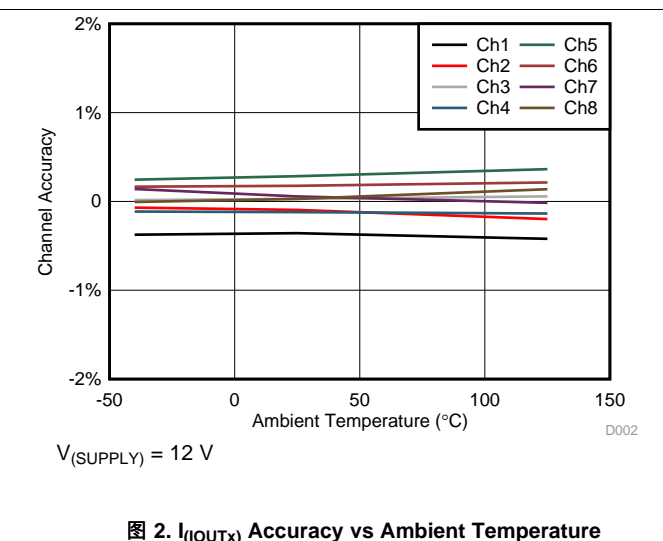
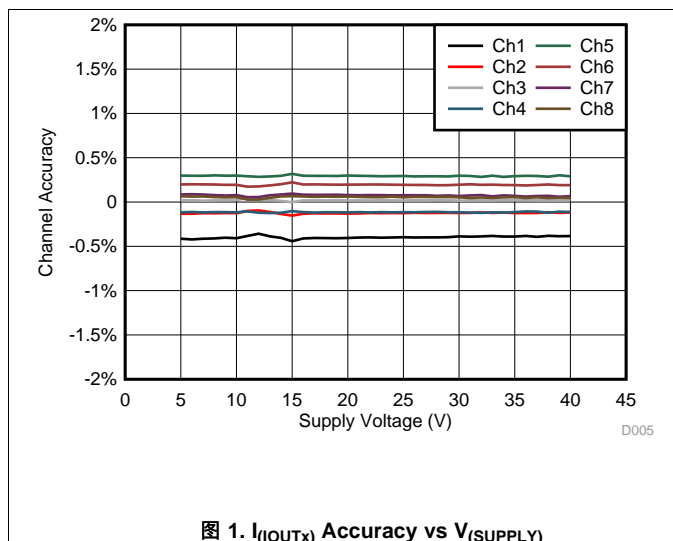
(4) See [Parameter Measurement Information](#) for the load model for the slew-rate test and delay-time test.

7.6 Switching Characteristics

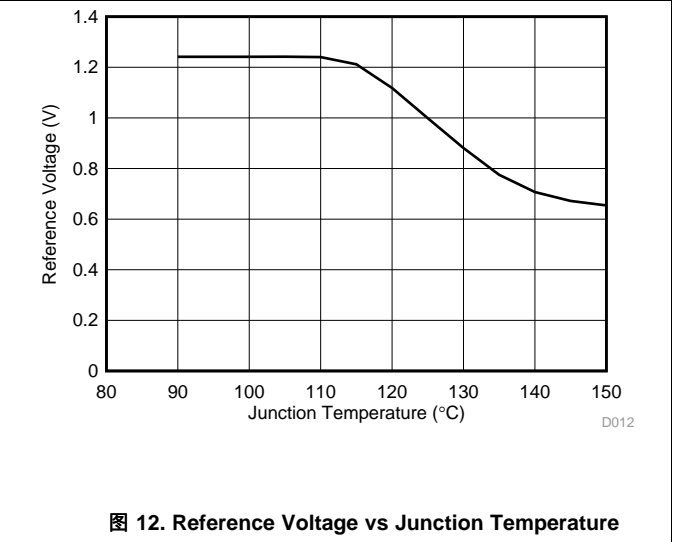
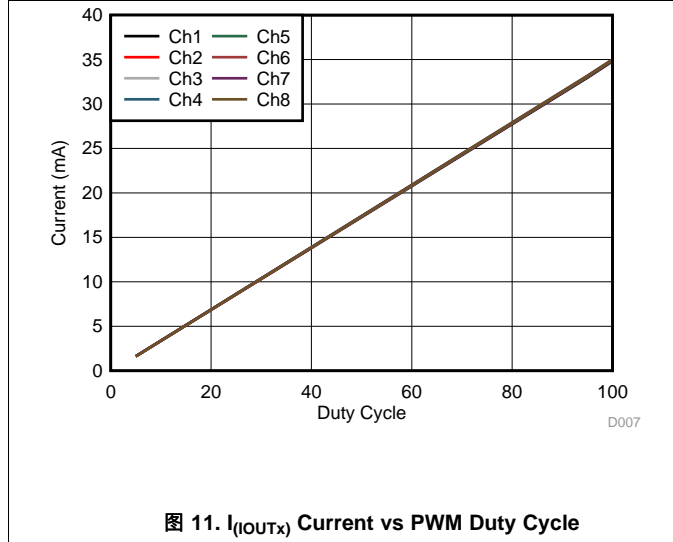
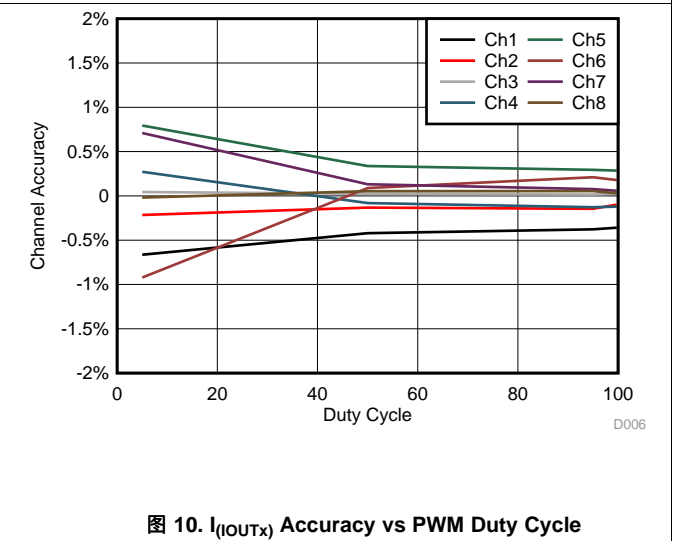
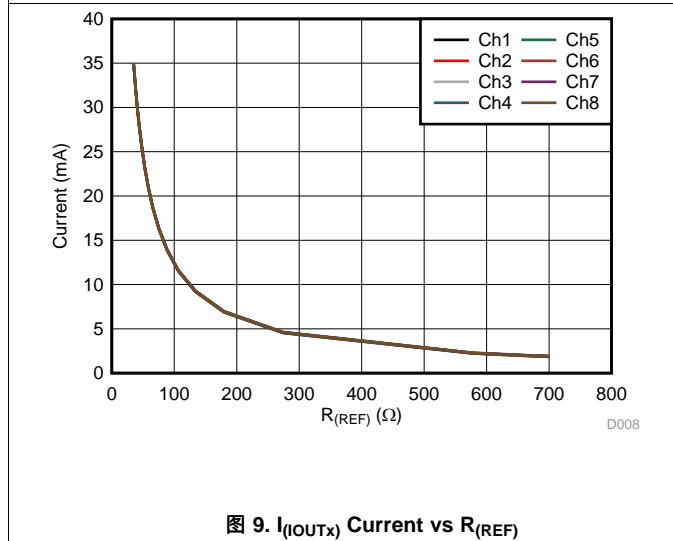
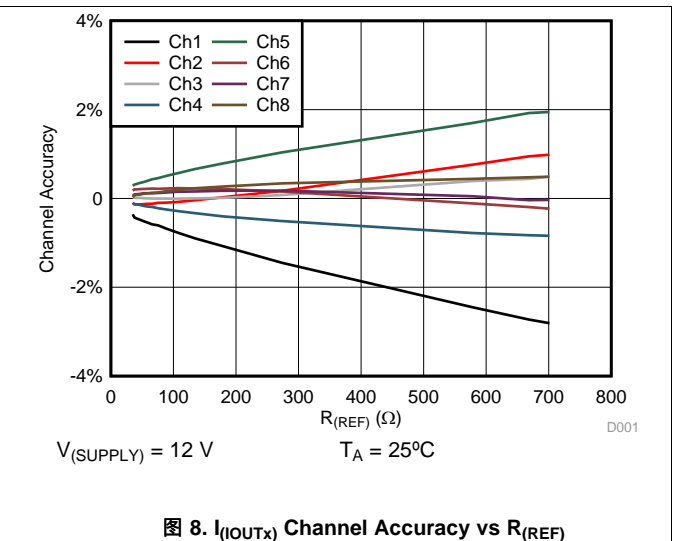
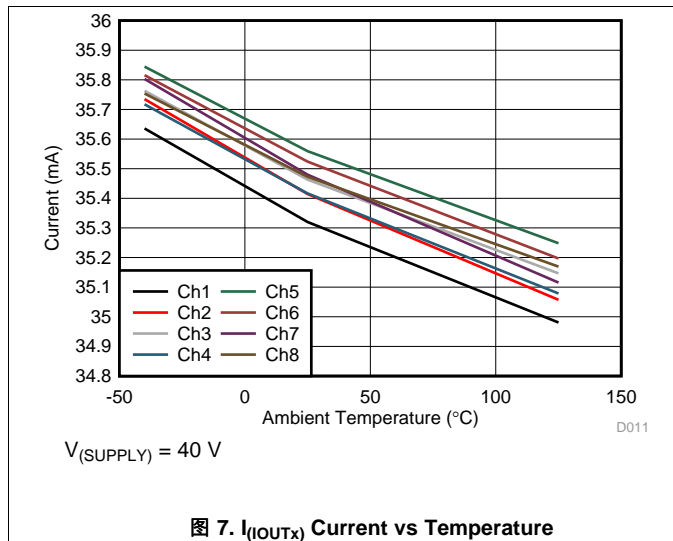
PARAMETER	TEST CONDITION	MIN	TYP	MAX	UNIT
$t_{(startup)}$ Start-up time	$V_{(SUPPLY)} > 5\text{ V}$, $I_{(IOUTX)} = 15\text{ mA}$, $I_{(setting)} = 30\text{ mA}$ ⁽¹⁾			150	μs
$t_{d(on)}$ Delay time between PWM rising edge to 10% of $I_{(IOUTX)}$	Two LEDs in series, 10-k Ω resistor in parallel		20	45	μs
$t_{d(off)}$ Delay time between PWM falling edge to 90% of $I_{(IOUTX)}$	Two LEDs in series, 10-k Ω resistor in parallel		20	45	μs
Open-load detection deglitch		1.2	2.2	3.2	ms
	During PWM, count the number of continuous cycles when $V_{(SUPPLY)} - V_{(IOUTX)} < V_{(OL_th)}$	7		8	Cycles
Short-detection deglitch		1.2	2.2	3.2	ms
	During PWM, count the number of continuous cycles when $V_{(IOUTX)} < V_{(SHORT_th)}$	7		8	Cycles

(1) Start-up is complete when $I_{(setting)}$ is 30 mA and $I_{(IOUTX)}$ increases from 0 to 15 mA.

7.7 Typical Characteristics



Typical Characteristics (接下页)



Typical Characteristics (接下页)

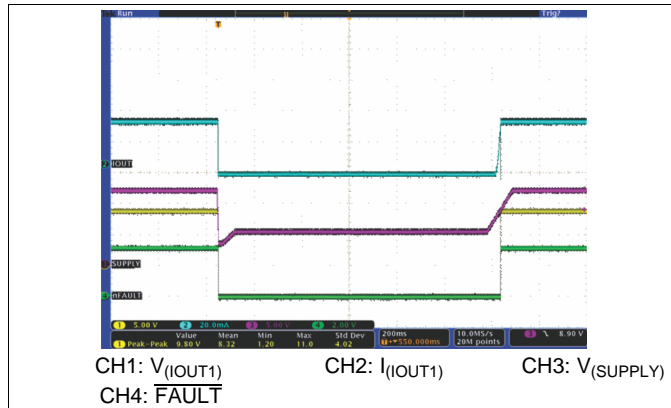


图 13. Cold Cranking Behavior

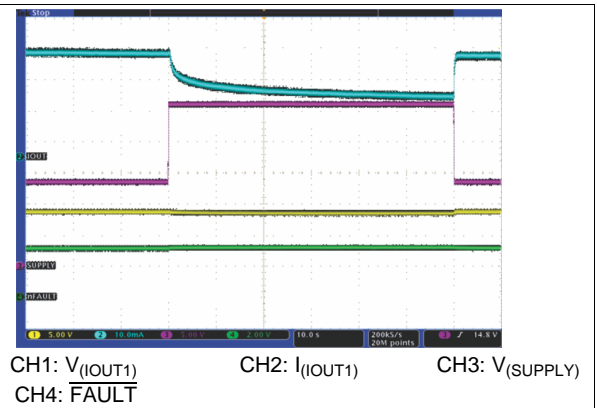


图 14. Jump Start From 13.5 V to 26 V

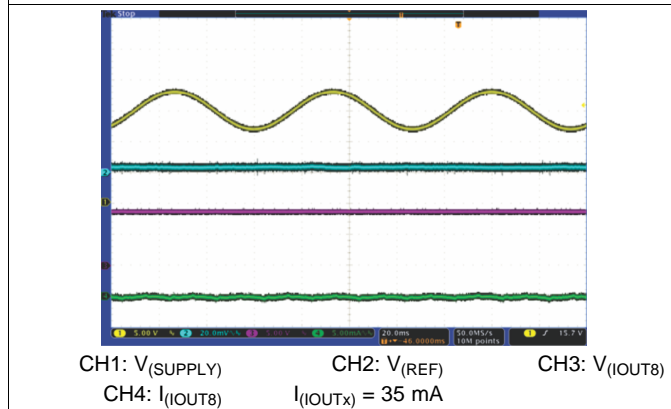


图 15. Superimposed Alternating Voltage, 12 V–18 V, 15 Hz

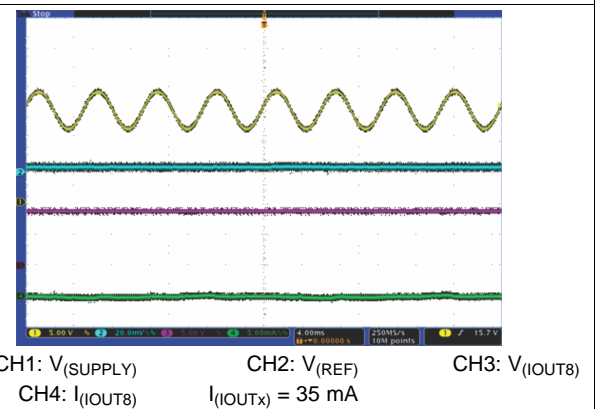


图 16. Superimposed Alternating Voltage, 12 V–18 V, 200 Hz

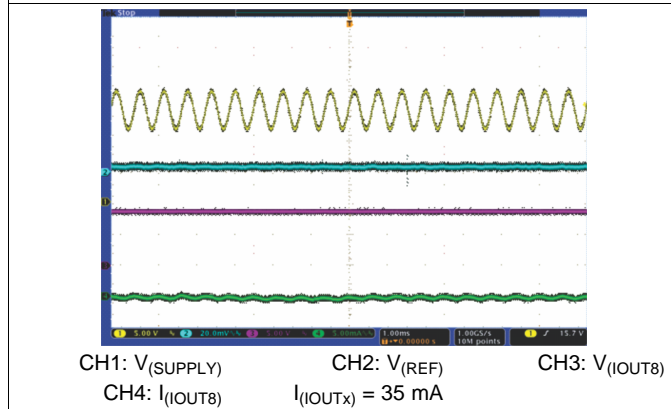


图 17. Superimposed Alternating Voltage, 12 V–18 V, 2 kHz

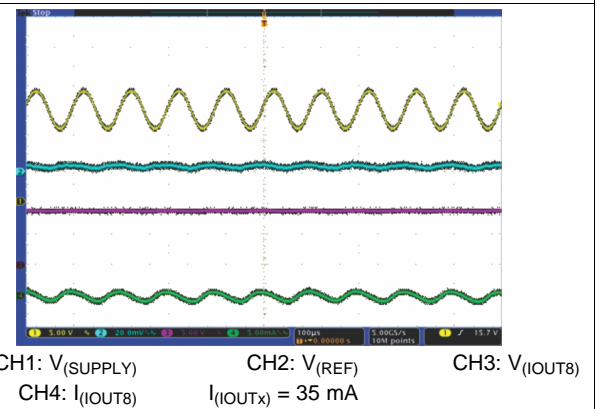
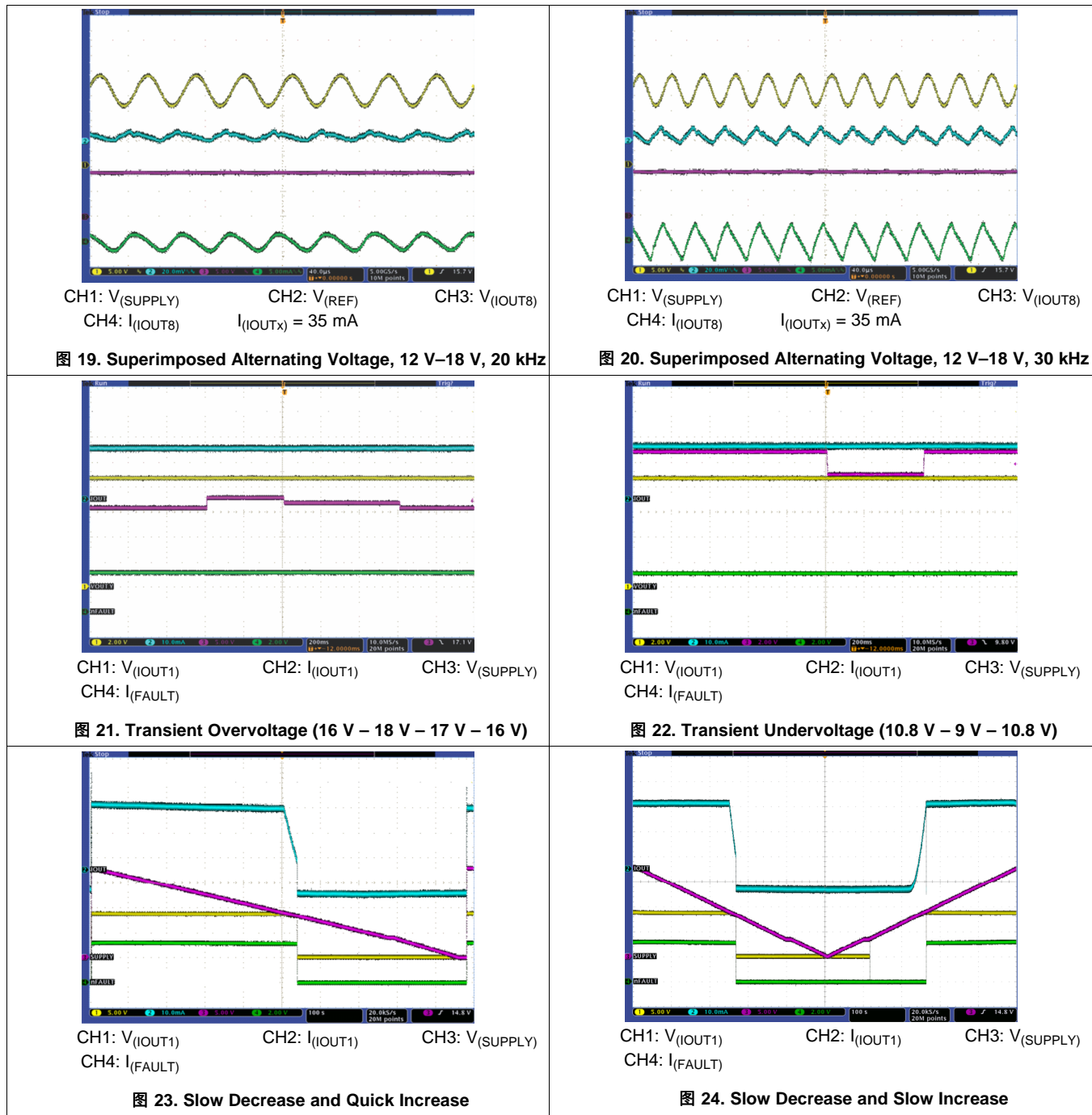


图 18. Superimposed Alternating Voltage, 12 V–18 V, 10 kHz

Typical Characteristics (接下页)



Typical Characteristics (接下页)

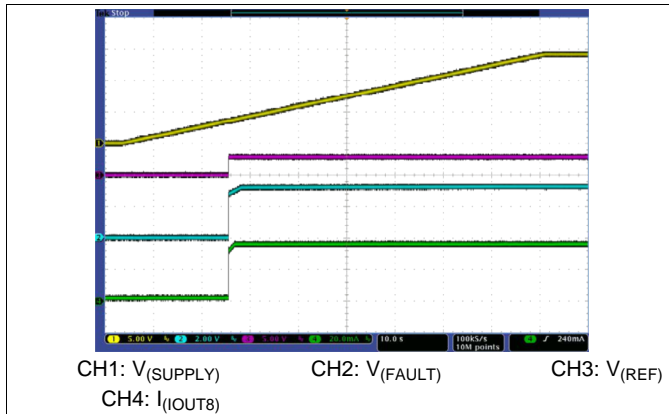


图 25. Slow Power Up ($V_{(SUPPLY)}$, $V_{(EN)}$, $V_{(PWMx)}$) Rise Together From 0 V to 14 V by 0.2 V/s)

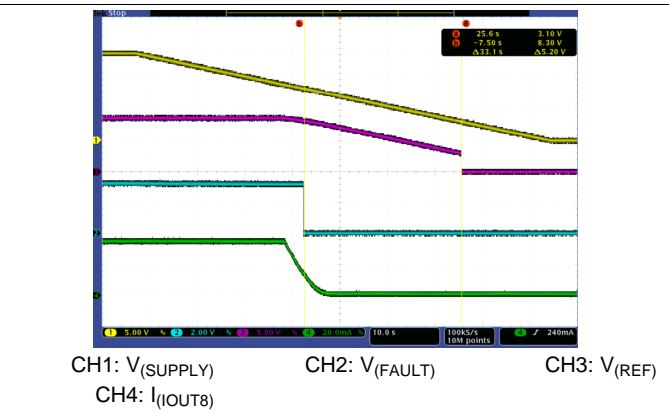


图 26. Slow Power Down ($V_{(SUPPLY)}$, $V_{(EN)}$, $V_{(PWMx)}$) Fall Together From 14 V to 0 V by 0.2 V/s)

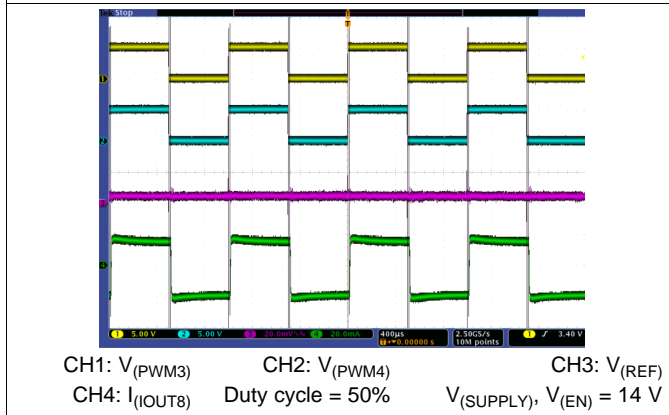


图 27. PWM Dimming, Dimming Frequency = 1000 Hz

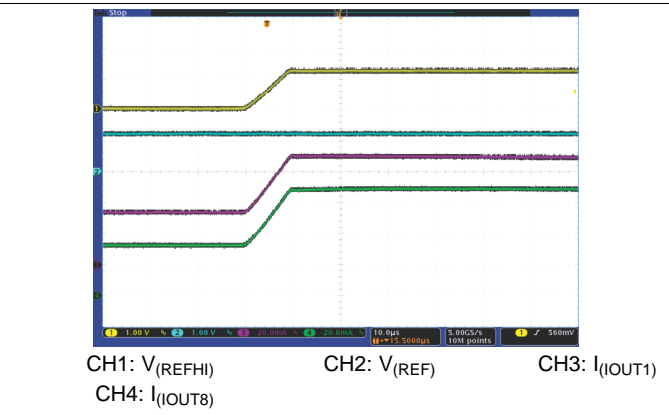


图 28. Load Transient, $I_{(IOUTx)}$ Increases From 35 mA to 70 mA

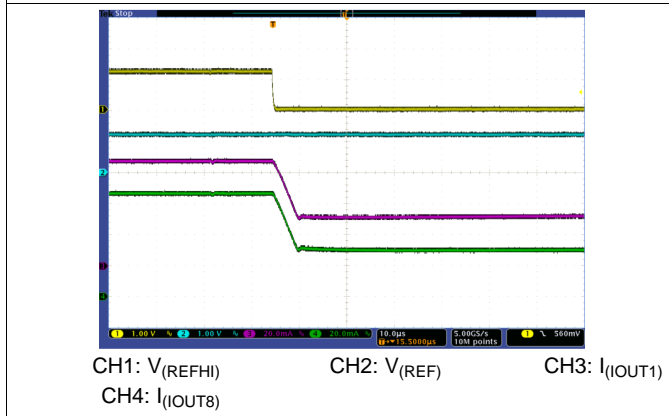


图 29. Load Transient, $I_{(IOUTx)}$ Decreases From 70 mA to 35 mA

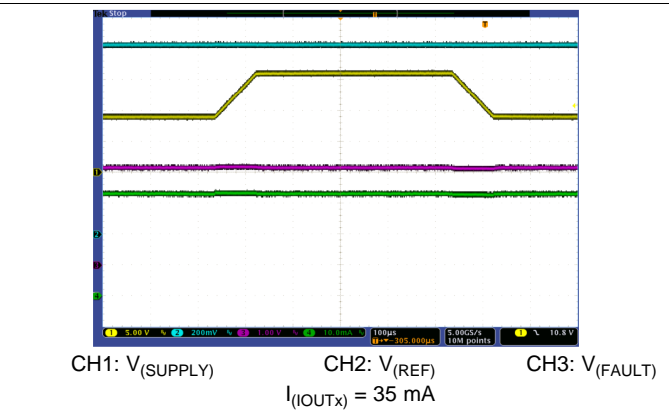


图 30. Line Transient, $V_{(SUPPLY)}$, $V_{(EN)}$, $V_{(PWMx)}$ Ramp From 9 V to 16 V to 9 V by 0.1 V/ μ s

TPS92638-Q1

ZHCSDK4B – SEPTEMBER 2014 – REVISED MARCH 2015

www.ti.com.cn

8 Parameter Measurement Information

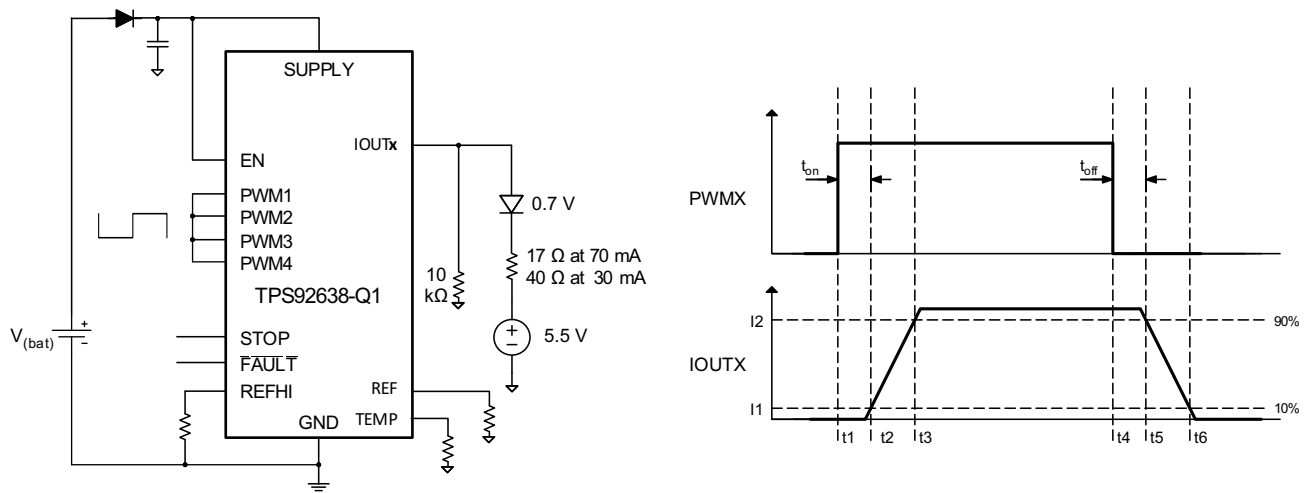


图 31. TPS92638-Q1 Test Circuit and Waveforms

9 Detailed Description

9.1 Overview

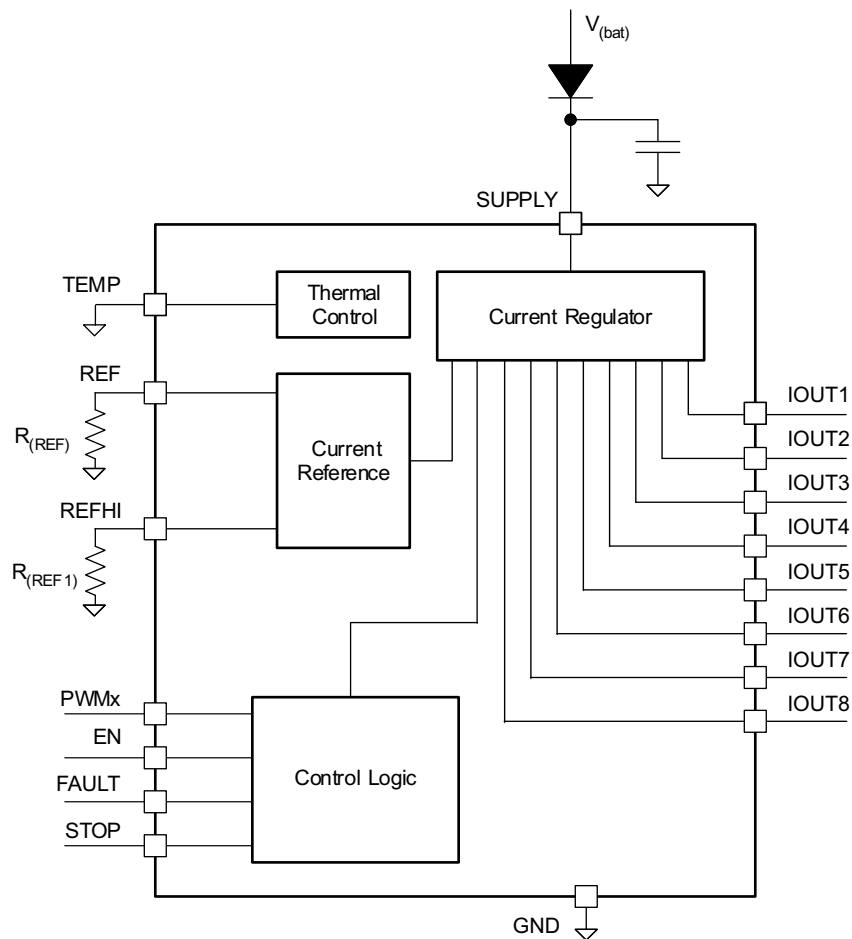
The TPS92638-Q1 device is an 8-channel constant-current regulator with PWM dimming, designed for high-brightness red or white LEDs in automotive lighting applications. Each channel has up to 70-mA current capability and 560 mA when paralleled. The device provides excellent current matching between channels and devices. The high-side current source allows LED common-cathode connection. The advanced control loop allows high accuracy between channels even with different numbers of LEDs connected on the output.

The design of the TPS92638-Q1 device is specifically for use in STOP-and-TAIL applications where the LED current switches between a high current (indicating stop or brake) and a lower current (for normal taillight operation).

The TPS92638-Q1 device monitors fault conditions on the output and reports its status on the $\overline{\text{FAULT}}$ pin. The device features output short-to-ground detection, open-load detection, and thermal shutdown. The $\overline{\text{FAULT}}$ pin allows maximum flexibility for determining the fault mode and reporting to the MCU in case of an error. For applications lacking an MCU, connecting multiple TPS92638-Q1 devices in a bus is an option.

Integrated thermal foldback protects the device from thermal shutdown by reducing the output current linearly when reaching a preset threshold. Provision for programming the temperature foldback threshold is through an external resistor. Tying the TEMP pin to ground disables this function.

9.2 Functional Block Diagram



9.3 Feature Description

9.3.1 LED Current Setting

Independent linear current regulators control the eight LED output channels. Global external resistors set the current of each channel. The device also features two current levels, intended for stop and tail applications.

The internal current reference, $I_{(REF)}$, has two possible values depending on the state of the STOP input: When STOP is low, REF, the current drawn from the REF pin, controls the output current. When STOP is high, the sum of the currents drawn from the REFHI pin and REF pin controls the output current.

Equations 公式 1 and 公式 2 calculate values for the current-setting resistors:

when STOP = low

$$I_{(OUTx-TAIL)} = \frac{V_{ref} \times G_{(l)}}{R_{(REF)}}$$

$$R_{(REF)} = \frac{V_{ref} \times G_{(l)}}{I_{(OUTx-TAIL)}}$$

(1)

when STOP = high

$$I_{(IOUTx-STOP)} = \frac{V_{ref} \times G_{(l)}}{R_{(REFHI)}} + \frac{V_{ref} \times G_{(l)}}{R_{(REF)}}$$

$$R_{(REFHI)} = \frac{V_{ref} \times G_{(l)}}{I_{(IOUTx-STOP)} - \frac{V_{ref} \times G_{(l)}}{R_{(REF)}}}$$

(2)

where

V_{ref} is the internal reference voltage

$G_{(l)}$ is the ratio of output current to reference current

9.3.2 PWM Control

The device features four independent PWM-bank dimming-control pins, each of which controls one bank consisting of two channels. A PWM input can also function as a shutdown pin for an unused bank. Tying PWM to ground disables the corresponding outputs. The PWM signal has a precise threshold, which a designer can use to define the start-up voltage of an LED as an undervoltage-lockout (UVLO) function with a divider resistor from SUPPLY. 表 1 shows the PWM bank mapping.

表 1. PWM Bank Mapping

PWM INPUT	CONTROLLED OUTPUTS
PWM1	OUT1, OUT2
PWM2	OUT3, OUT4
PWM3	OUT5, OUT6
PWM4	OUT7, OUT8

9.3.3 Fault Diagnostics

The TPS92638-Q1 device has a fault pin, \overline{FAULT} , which is for the short, open, and thermal-shutdown general faults. This arrangement allows the maximum flexibility based on all requirements and application conditions.

Connection the device \overline{FAULT} pin to the MCU allows for fault reporting. The \overline{FAULT} pin is an open-drain transistor with a weak internal pullup.

The device releases the FAULT bus when external circuitry toggles the FAULT bus, or on a power cycle of the device. In an application that has no MCU, only cycling power clears the fault.

The following faults result in the $\overline{\text{FAULT}}$ pin going low: thermal shutdown, open load, or output short circuit. For thermal shutdown and open LED, release of the $\overline{\text{FAULT}}$ pin occurs when the thermal shutdown or open-LED condition no longer exists. For other faults, the $\overline{\text{FAULT}}$ pin remains low even after the condition does not exist, and clearing is only possible by toggling $\overline{\text{FAULT}}$ or by power cycling of the device.

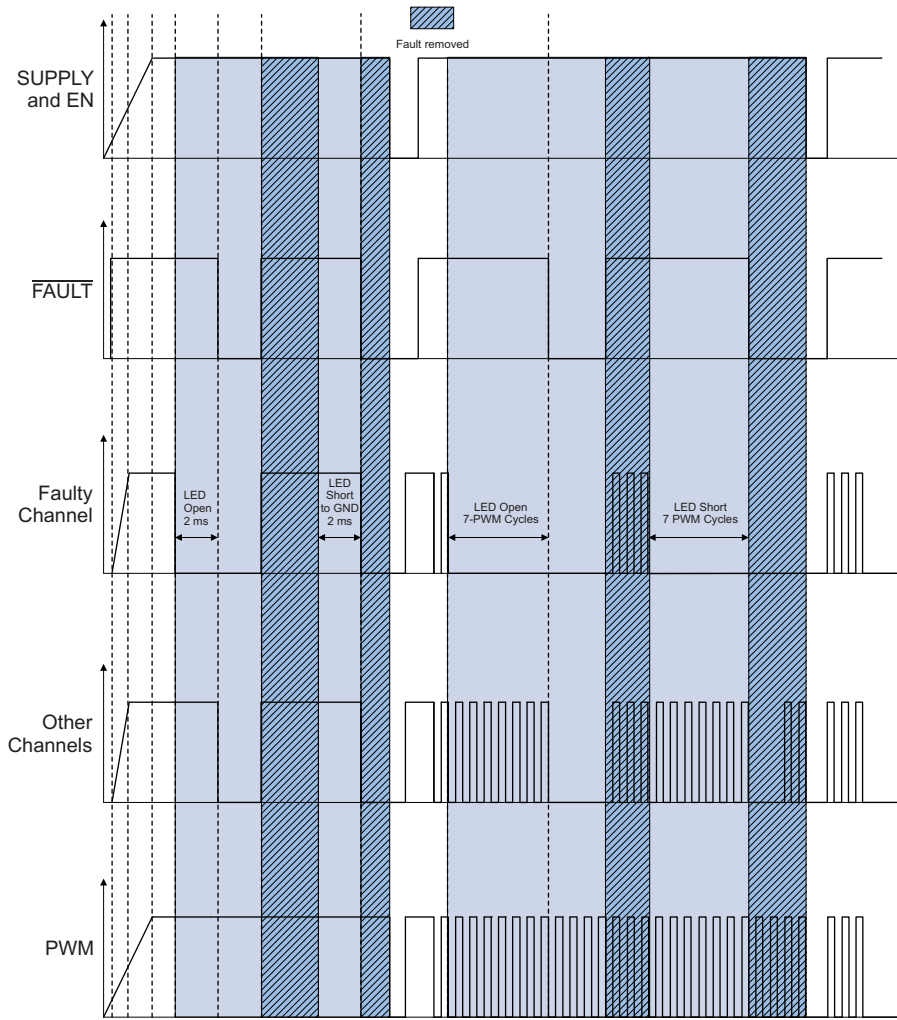


图 32. TPS92638-Q1 Device Fault-Handling Behavior, $\overline{\text{FAULT}}$ Bus Floating

The design of an application with no MCU allows the connecting together of up to 15 TPS92638-Q1 $\overline{\text{FAULT}}$ pins. When one or more devices have errors, their corresponding $\overline{\text{FAULT}}$ pins go low, thus pulling down the connected $\overline{\text{FAULT}}$ bus and shutting down all device outputs. 图 33 illustrates the $\overline{\text{FAULT}}$ line bus connection.

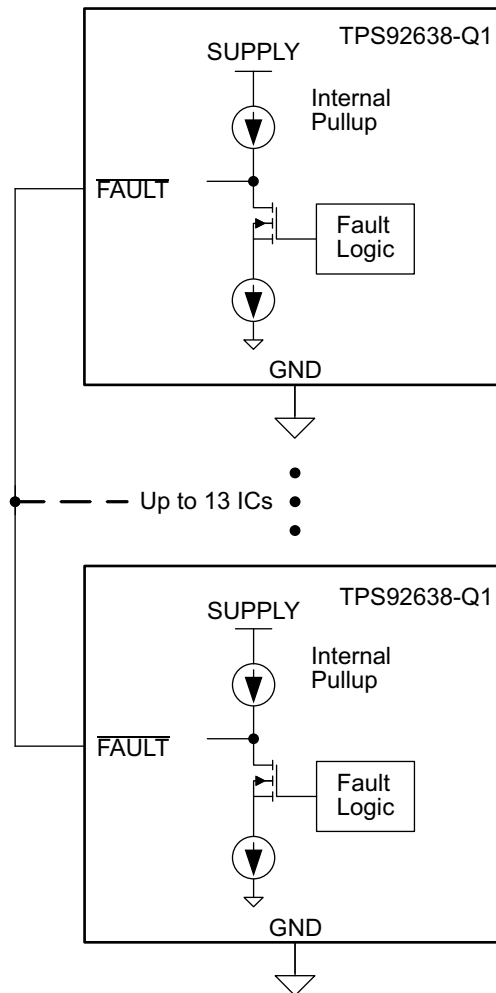


图 33. Connection of FAULT Line Bus

The device releases the FAULT bus by external circuitry pulling the FAULT bus high, by toggling of the EN pin, or by a power cycle of the device. In an application without an MCU, only a power cycle clears the fault. 图 34 is a detailed timing diagram.

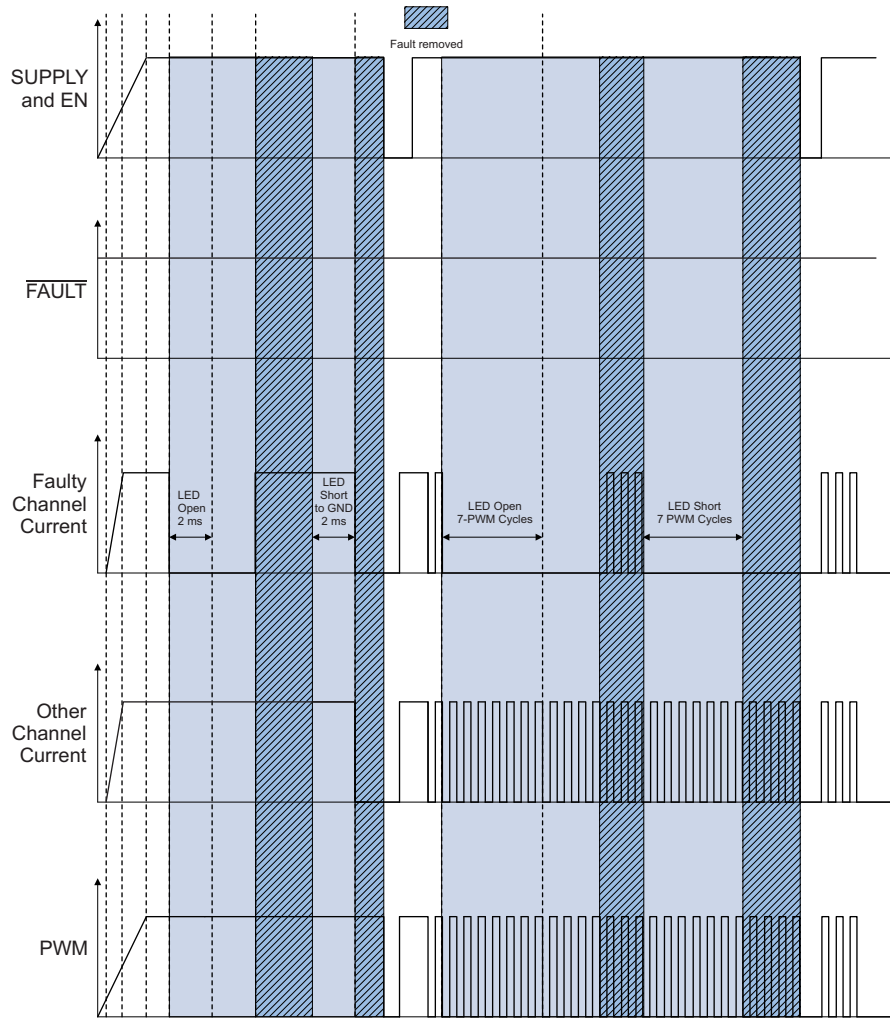


图 34. TPS92638-Q1 Device Fault-Handling Behavior, FAULT Bus Externally Pulled High

表 2. Fault Table

FAILURE MODE	JUDGMENT CONDITION			DIAGNOSTIC OUTPUT PIN ⁽¹⁾	ACTION	FAULT	DEVICE REACTION	FAILURE REMOVED	SELF CLEARING
	DETECTION VOLTAGE	CHANNEL STATUS	DETECTION MECHANISM						
Short Circuit: 1 or several LED strings	$V_{(SUPPLY)} > 5\text{ V}$	On	$V_{(IOUTx)} < 0.9\text{ V}$	$\overline{\text{FAULT}}$	Pulled low	Externally pulled high	Failing strings turned off, other CHs on	Toggle EN, power cycle	No
						Floating	All strings turned OFF	Toggle EN, power cycle	
Open Load: 1 or several LED strings	$V_{(SUPPLY)} > 5\text{ V}$	On	$V_{(SUPPLY)} - V_{(IOUTx)} < 100\text{ mV}$	$\overline{\text{FAULT}}$	Pulled low	Externally pulled high	All strings stay ON	Failure condition removed	Yes
						Floating	Failing strings stay ON, other CHs turned OFF	Failure condition removed	
Short to Battery: 1 or several LED strings	$V_{(SUPPLY)} > 5\text{ V}$	On or off	$V_{(SUPPLY)} - V_{(IOUTx)} < 100\text{ mV}$	$\overline{\text{FAULT}}$	Pulled low	Externally pulled high	All strings stay ON	Failure condition removed	Yes
						Floating	Failing strings stay ON, other CHs turned OFF	Failure condition removed	
Thermal Shutdown	$V_{(SUPPLY)} > 5\text{ V}$	On or off	$> 170^\circ\text{C}$	$\overline{\text{FAULT}}$	Pulled low	Externally pulled high	All strings turned OFF	Temperature $< 155^\circ\text{C}$	Yes
						Floating			
Thermal Foldback	$V_{(SUPPLY)} > 5\text{ V}$	On or off	$> 110^\circ\text{C}$	N/A	None	N/A	Reduced current to all strings	Temperature $< 100^\circ\text{C}$	Yes
Reference Resistor Short	$V_{(SUPPLY)} > 5\text{ V}$	On or off	$R_{(ref)} < 1400\ \Omega$	$\overline{\text{FAULT}}$	Pulled low	N/A	All strings turned off	Toggle EN, power cycle	No

(1) If tying the diagnostic $\overline{\text{FAULT}}$ pin high externally, the pullup must be strong enough to override the internal pulldown.

9.3.3.1 Open-Load Detection

The device detects an open-load condition when the voltage across the channel, $V_{(SUPPLY)} - V_{(IOUTx)}$, is less than the open-load detection voltage, $V_{(OLV)}$. When this condition is present for more than the open-load-detection deglitch time, 2 ms when PWM is 100% on or 7 continuous PMW duty cycles when in the PWM dimming mode, the device pulls $\overline{\text{FAULT}}$ low and turns off the faulted channel. With the $\overline{\text{FAULT}}$ pin tied high, all channels shut down. The channel recovers on removal of the open condition. Note that the device may also detect an open load if the sum of the forward voltages of the LEDs in a string is close to or greater than the supply voltage on the SUPPLY pin.

9.3.4 Thermal Foldback

The TPS92638-Q1 device integrates thermal shutdown protection to prevent the IC from overheating. In addition, to prevent LEDs from flickering due to rapid thermal changes, the device includes a programmable thermal current foldback feature to reduce power dissipation at high junction temperatures.

The TPS92638-Q1 device reduces the LED current as the silicon junction temperature of the TPS92638-Q1 device increases (see [图 35](#)). Mounting the TPS92638-Q1 device on the same thermal substrate as the LEDs allows use of this feature to limit the dissipation of the LEDs. As its junction temperature increases, the TPS92638-Q1 device reduces the regulated current level, thereby reducing the dissipated power in the TPS92638-Q1 and in the LEDs. The current reduction from the 100% level is typically 2% per degree Celsius until the point where the current drops to 50% of the full value, which occurs at $T_{(th)} + 20^\circ\text{C}$.

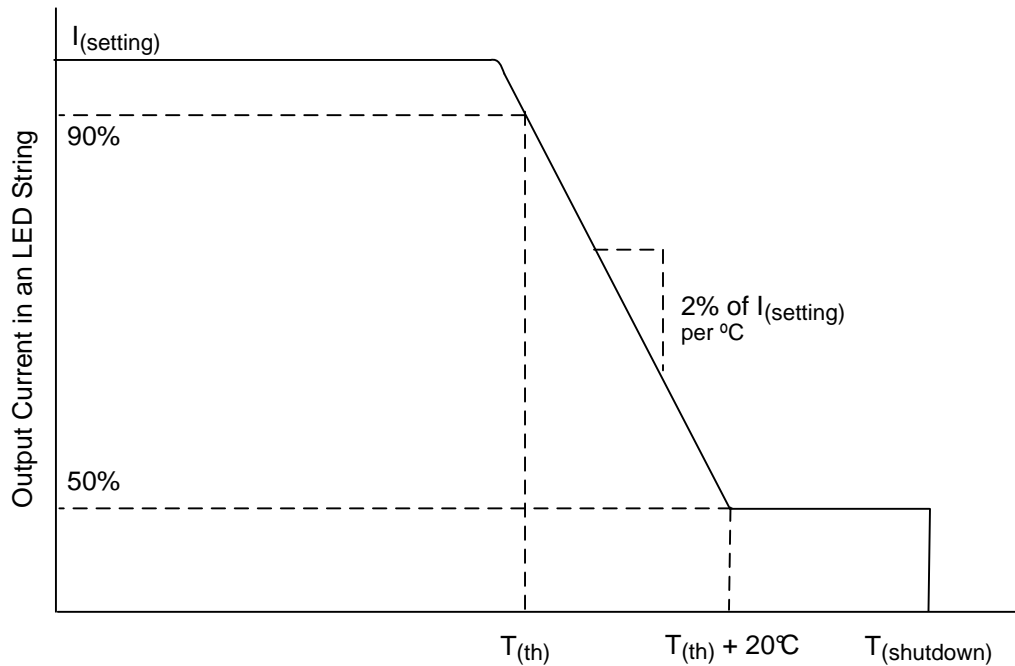


图 35. Thermal Foldback

Above this temperature, the device maintains the current at the 50% current level until the junction temperature reaches the overtemperature shutdown threshold, $T_{(shutdown)}$. Changing the voltage on the TEMP pin adjusts the temperature at which the current reduction begins. With TEMP left open, the definition of thermal monitor activation temperature is the temperature at which the current reduction begins, $T_{(th)}$. The specification of $T_{(th)}$ in the [Electrical Characteristics](#) table is at the 90% current level. $T_{(th)}$ increases as the voltage at the TEMP pin, $V_{(TEMP)}$, decreases. 公式 3 provides an approximate calculation of $T_{(th)}$.

$$T_{(th)} = -121.7 \text{ }^{\circ}C/V \times V_{(TEMP)} + 228.32^{\circ}C \quad (3)$$

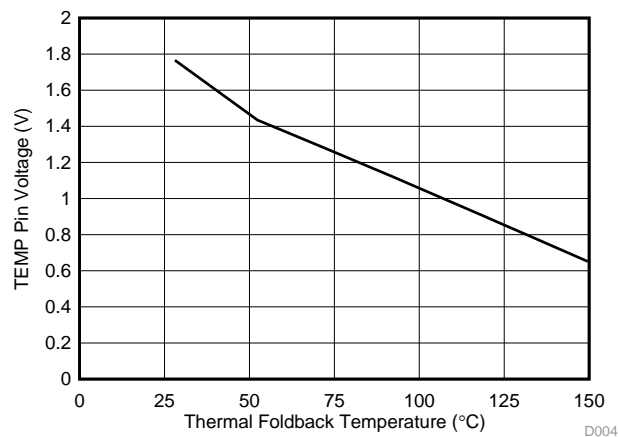


图 36. TEMP Pin Voltage vs Thermal Foldback Temperature

A resistor connected between TEMP and GND reduces $V_{(TEMP)}$ and increases $T_{(th)}$. A resistor connected between TEMP and a reference supply greater than 1 V increases $V_{(TEMP)}$ and reduces $T_{(th)}$.

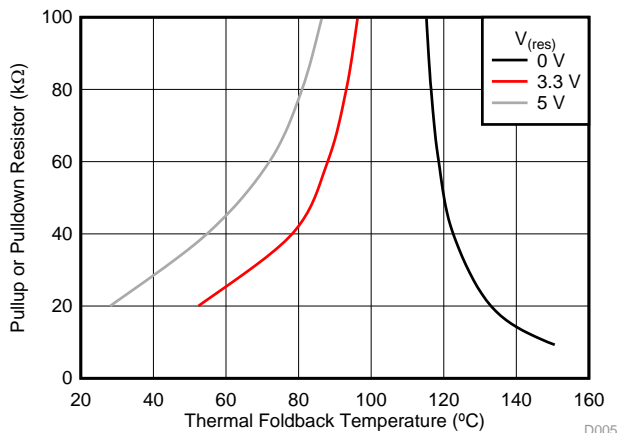


图 37. Pullup and Pulldown Resistors vs $T_{(th)}$

图 37 shows how the nominal value of the thermal monitor activation temperature varies with the voltage at TEMP and with a resistor $R_{(TEMP)}$, either connected to GND or pulled up to 3 V or to 5 V.

In extreme cases, if the junction temperature exceeds the overtemperature limit, $T_{(shutdown)}$, the device disables all regulators. Temperature monitoring continues, and the device re-activates the regulators, when the temperature drops below the specified hysteresis threshold.

Note that it is possible for the TPS92638-Q1 device to transition rapidly between thermal shutdown and normal operation. This can happen if the thermal mass attached to the exposed thermal pad is small and $T_{(th)}$ is too close to the shutdown temperature. The period of oscillation depends on $T_{(th)}$, the dissipated power, the thermal mass of any heatsink present, and the ambient temperature.

9.4 Device Functional Modes

The functional modes of the TPS92638-Q1 device are operational and non-operational. The device operates normally when $V_{(SUPPLY)}$ is at least 5 V and not greater than 40 V.

10 Application and Implementation

注

Information in the following applications sections is not part of the TI component specification, and TI does not warrant its accuracy or completeness. TI's customers are responsible for determining suitability of components for their purposes. Customers should validate and test their design implementation to confirm system functionality.

10.1 Application Information

The following discussion includes several applications showing how to implement the TPS92638-Q1 device for automotive lighting such as stop lights and taillights. Some of the examples demonstrate implementation of the fault bus function or detail use of the device for higher-current applications.

10.2 Typical Applications

10.2.1 PWM Dimming by Bank

The TPS92638-Q1 device provides four PWM banks for output dimming. A TLC555-Q1 PWM generator can be used on the to avoid the use of an MCU.

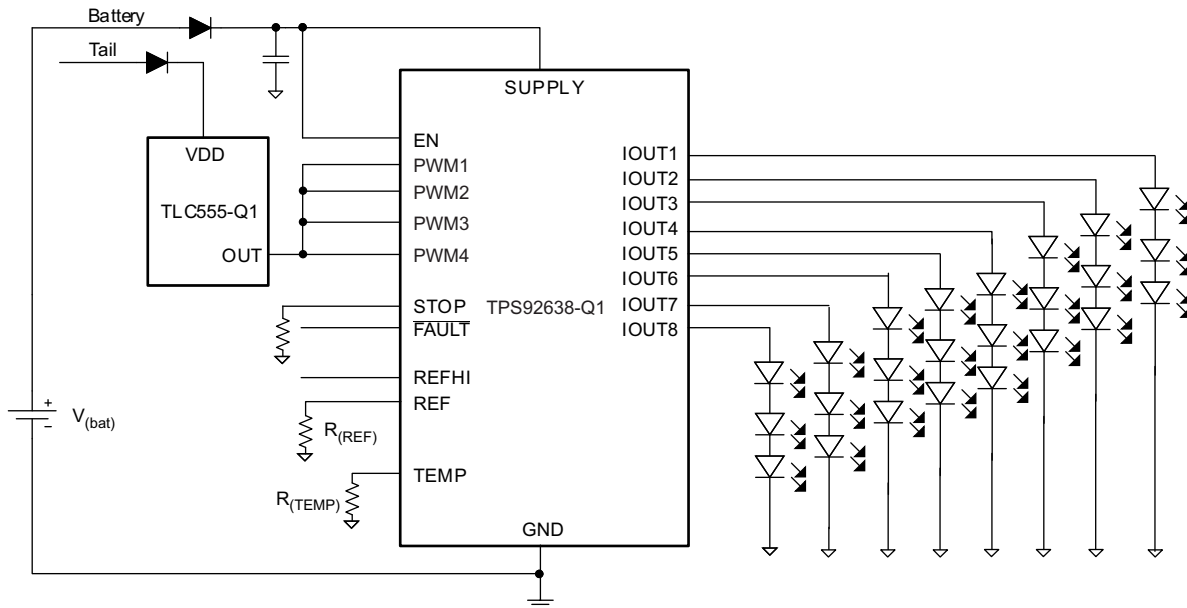


图 38. Schematic for PWM Dimming by Bank

10.2.1.1 Design Requirements

DESIGN PARAMETER	EXAMPLE VALUE
$I_{(TAIL)}^{(1)}$	20 mA
$I_{(STOP)}^{(1)}$	40 mA

(1) $I_{(TAIL)}$ = tail light current per channel; $I_{(STOP)}$ = stop light current per channel.

10.2.1.2 Detailed Design Procedure

The design uses the $R_{(REF)}$ reference resistor to set the maximum output current, and the TLC555-Q1 sets the PWM duty cycle to control the dimming ratio.

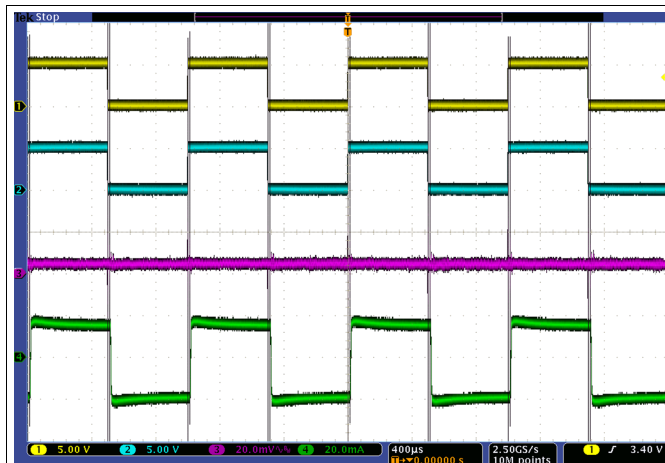
$$R_{(REF)} = V_{(REF)} \times \frac{G_{(I)}}{I_{(STOP)}} = 1.222 \times \frac{200}{0.04} = 6.11 \text{ k}\Omega$$

(4)

$$\text{Duty cycle} = \frac{I_{(\text{TAIL})}}{I_{(\text{STOP})}} = \frac{0.02}{0.04} = 0.5 = 50\%$$

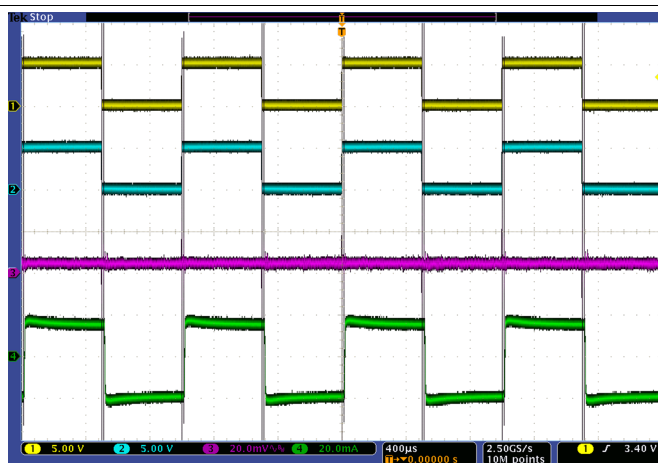
(5)

10.2.1.3 Application Performance Plots



SUPPLY = EN = 14 V PWM freq. = 1 kHz Duty cycle = 50%
 CH1: PWM1 CH2: PWM2 CH3: V_{ref}
 CH4: IOUT8

图 39. PWM Dimming by Bank, PWM1, PWM2, Analog Reference and Output Current



SUPPLY = EN = 14 V PWM freq. = 1 kHz Duty cycle = 50%
 CH1: PWM3 CH2: PWM4 CH3: V_{ref}
 CH4: IOUT8

图 40. PWM Dimming by Bank, PWM3, PWM4, Analog Reference and Output Current

10.2.2 Two Brightness Levels for TAIL and STOP Lights

For a typical TAIL and STOP application, implementation using the TPS92638-Q1 device with an integrated STOP and TAIL function is easy. The following schematic depicts the application circuit. In a typical application, two independent sources, namely Tail and Stop, power the stop and tail lights. Using blocking diodes D0 and D1 with the TPS92638-Q1 device allows merging the STOP and TAIL functions, powered by a single supply. Blocking diode D2 protects the STOP pin during a reverse battery scenario. The STOP pin has an internal pulldown resistor to ensure a low state when STOP is not active.

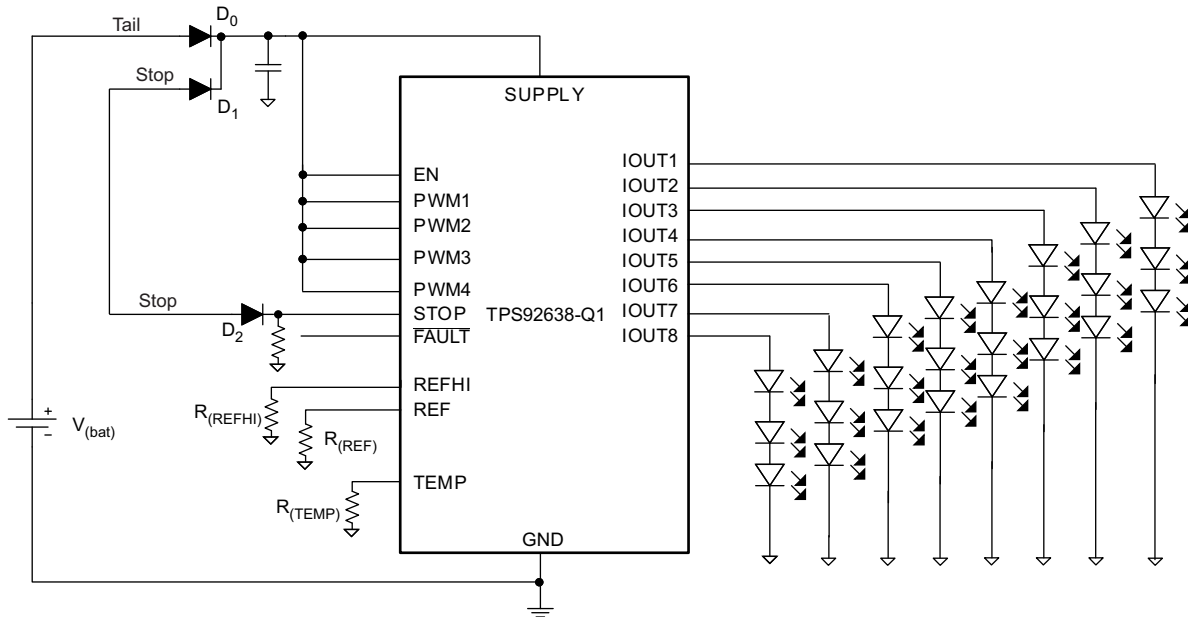


图 41. Schematic for Two Brightness Levels for TAIL and STOP Lights

10.2.2.1 Design Requirements

DESIGN PARAMETER	EXAMPLE VALUE
$I_{(TAIL)}^{(1)}$	10 mA
$I_{(STOP)}^{(1)}$	40 mA

(1) $I_{(TAIL)}$ = tail light current per channel; $I_{(STOP)}$ = stop light current per channel.

10.2.2.2 Detailed Design Procedure

Designing the application consists in calculating the values of resistors to be used for the desired output currents.

$$R_{(REF)} = V_{(REF)} \times \frac{G_{(I)}}{I_{(TAIL)}} = 1.222 \times \frac{200}{0.01} = 24.44 \text{ k}\Omega \quad (6)$$

$$R_{(REFHI)} = V_{(REFHI)} \times \frac{G_{(I)}}{I_{(STOP)} - I_{(TAIL)}} = 1.222 \times \frac{200}{0.04 - 0.01} = 8.146 \text{ k}\Omega \quad (7)$$

The recommended value for $R_{(STOP)}$ is 10 k Ω .

10.2.3 PWM Dimming by Modulated Supply

The TPS92638-Q1 device supports PWM dimming from the supply as depicted below. A high-side switch in the body control module (BCM) usually implements supply dimming. Due to the nature of the high-side switch, TPS92638-Q1 supply voltage is not strongly pulled down to ground, but depends on the decoupling capacitor and total current consumption. The TPS92638-Q1 device keeps the output current constant as long as supply voltage is adequate to overcome the LED forward voltage and dropout voltage.

When supply voltage drops too low to drive LEDs, the device shuts down the output channels on open-load detection. Therefore, TI recommends ensuring channel shutdown using the PWM or EN inputs. Thus a resistor string of R1 and R2 is recommended to ensure the lowest divided voltage is lower than PWM threshold.

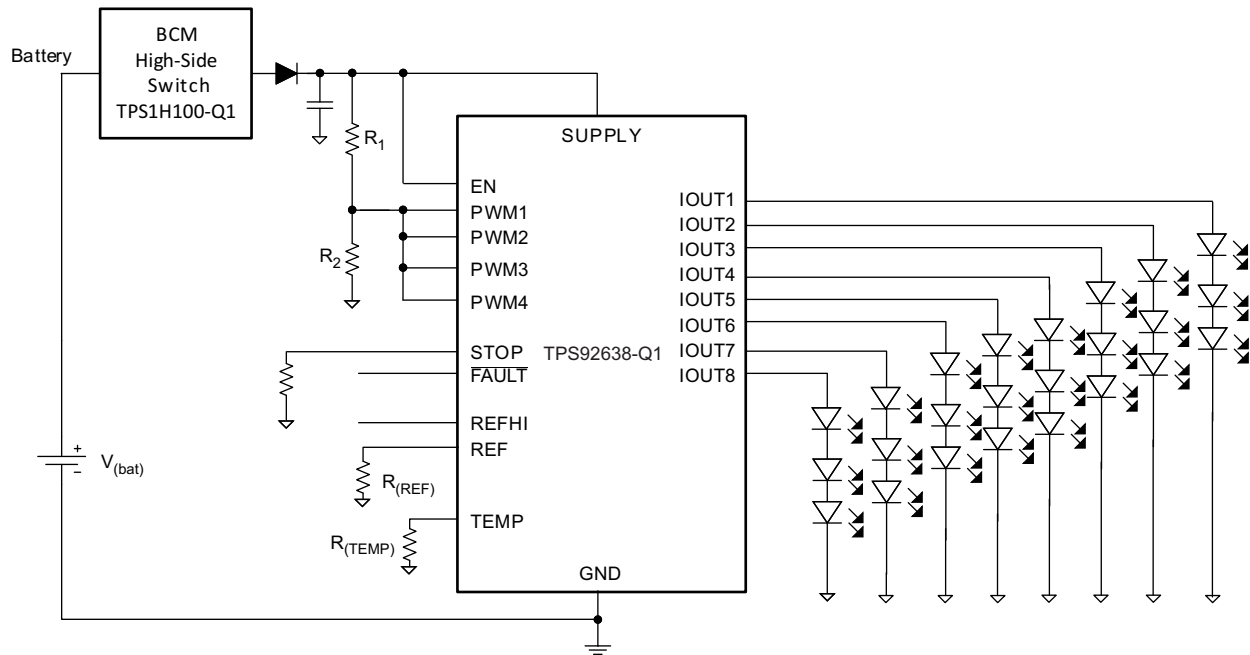


图 42. Schematic for PWM Dimming by Modulated Supply

10.2.3.1 Design Requirements

DESIGN PARAMETER	EXAMPLE VALUE
$I_{(TAIL)}^{(1)}$	30 mA
$I_{(STOP)}^{(1)}$	50 mA

(1) $I_{(TAIL)}$ = tail light current per channel; $I_{(STOP)}$ = stop light current per channel.

10.2.3.2 Design Procedure

The $R_{(REF)}$ reference resistor sets the current.

$$R_{(REF)} = V_{(REF)} \times \frac{G_{(I)}}{I_{(STOP)}} = 1.222 \times \frac{200}{0.05} = 4.888 \text{ k}\Omega \tag{8}$$

$$\text{Duty cycle} = \frac{I_{(TAIL)}}{I_{(STOP)}} = \frac{0.03}{0.05} = 0.6 = 60\% \tag{9}$$

$$V_{(SUPPLY) \text{ min}} \times \frac{R_2}{R_1 + R_2} < V_{(PWM_threshold)} \tag{10}$$

10.2.4 Driving LEDs From a Single Device With Channels in Parallel

The TPS92638-Q1 device the parallel driving of LED strings supports by combining multiple channels in parallel to achieve better thermal performance and higher current-driving capability.

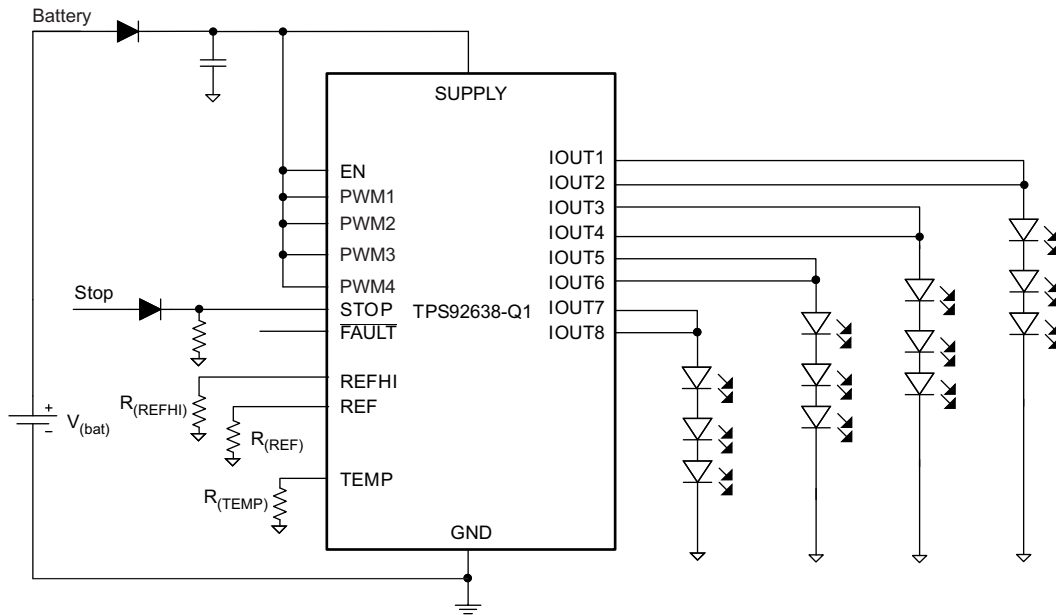


图 43. Schematic for Driving With a Single Device Using Parallel Channels

10.2.4.1 Design Requirements

DESIGN PARAMETER	EXAMPLE VALUE
$I_{(TAIL)}^{(1)}$	30 mA
$I_{(STOP)}^{(1)}$	100 mA

(1) $I_{(TAIL)}$ = tail light current per channel; $I_{(STOP)}$ = stop light current per channel.

10.2.4.2 Design Procedure

The $R_{(REF)}$ and $R_{(REFHI)}$ reference resistors set the current. $R_{(REF)}$ sets the tail current, and $R_{(REF)}$ and $R_{(REFHI)}$ set the stop current.

$$R_{(REF)} = V_{(REF)} \times \frac{G_{(I)}}{I_{(TAIL)} / N_{(channel)}} = 1.222 \times \frac{200}{0.03 / 2} = 16.29 \text{ k}\Omega \quad (11)$$

$$R_{(REFHI)} = V_{(REFHI)} \times \frac{G_{(I)}}{(I_{(STOP)} - I_{(TAIL)}) / N_{(channel)}} = 1.222 \times \frac{200}{(0.1 - 0.03) / 2} = 6.98 \text{ k}\Omega \quad (12)$$

10.2.5 Driving LEDs From Multiple Devices With Channels in Parallel

For design flexibility, there is also support for using multiple TPS92638-Q1 devices in parallel driving between different devices. The following diagram shows a combination that uses both devices and channels in parallel to drive high-current loads.

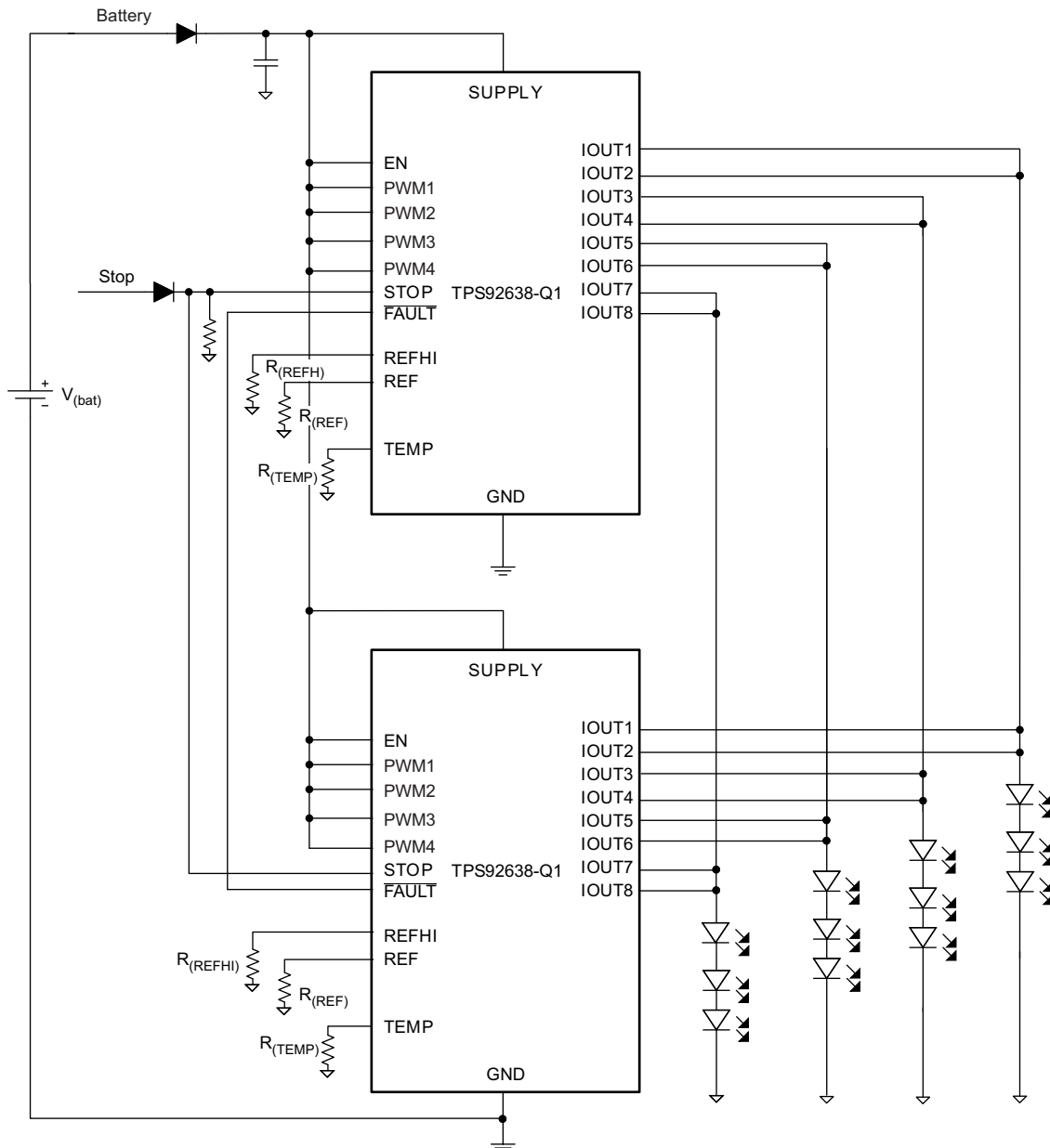


图 44. Schematic for Driving With Multiple Devices Using Parallel Channels

10.2.5.1 Design Requirements

DESIGN PARAMETER	EXAMPLE VALUE
$I_{(TAIL)}^{(1)}$	60 mA
$I_{(STOP)}^{(1)}$	200 mA

(1) $I_{(TAIL)}$ = tail light current per channel; $I_{(STOP)}$ = stop light current per channel.

10.2.5.2 Design Procedure

The $R_{(REFHI)}$ and $R_{(REF)}$ reference resistors set the current. $R_{(REF)}$ by itself sets the tail current. $R_{(REF)}$ and $R_{(REFHI)}$ together set the stop current. In different applications, reference resistors can be set to different values for different devices to achieve current flexibility. In this document, for simplicity, the application sets the same reference current in both devices.

$$R_{(REF)} = V_{(REF)} \times \frac{G_{(I)}}{I_{(TAIL)} / N_{(channel)}} = 1.222 \times \frac{200}{0.06 / 4} = 16.29 \text{ k}\Omega \quad (13)$$

$$R_{(REFHI)} = V_{(REFHI)} \times \frac{G_{(I)}}{(I_{(STOP)} - I_{(TAIL)}) / N_{(channel)}} = 1.222 \times \frac{200}{(0.2 - 0.06) / 4} = 6.98 \text{ k}\Omega \quad (14)$$

11 Power Supply Recommendations

The TPS92638-Q1 device is qualified for automotive applications. The normal power supply connection is therefore to an automobile electrical system that provides a voltage within the range specified in [Recommended Operating Conditions](#).

12 Layout

12.1 Layout Guidelines

In order to prevent thermal shutdown, T_J must be less than 150°C. If the input voltage is very high, the power dissipation might be large. Currently there is the TSSOP-EP package which has good thermal impedance, but at the same time, the PCB layout is also very important. Good PCB design can optimize heat transfer, which is absolutely essential for the long-term reliability of the device.

- Maximize the copper coverage on the PCB to increase the thermal conductivity of the board, because the major heat-flow path from the package to the ambient is through the copper on the PCB. Maximum copper is extremely important when there are not any heat sinks attached to the PCB on the other side of the package.
- Add as many thermal vias as possible directly under the package ground pad to optimize the thermal conductivity of the board.
- All thermal vias should be either plated shut or plugged and capped on both sides of the board to prevent solder voids. To ensure reliability and performance, the solder coverage should be at least 85%.

12.2 Layout Example

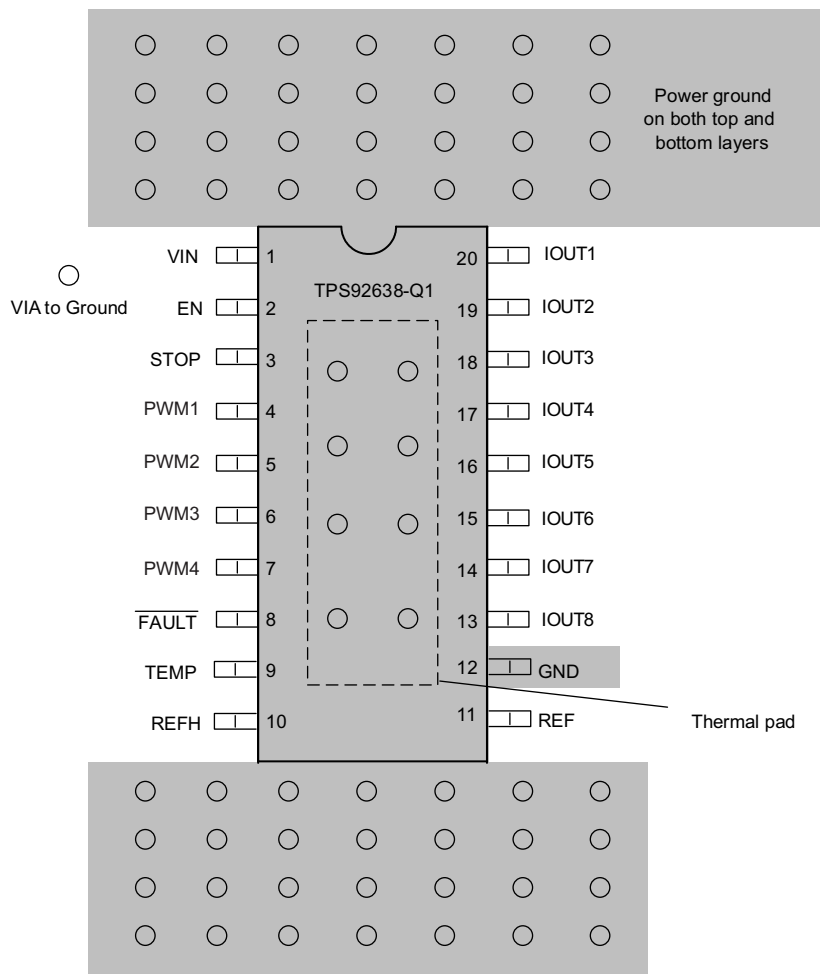


图 45. TPS92638-Q1 Layout Diagram

12.3 Thermal Information

This device operates a thermal shutdown (TSD) circuit as a protection from overheating. For continuous normal operation, the junction temperature should not exceed the thermal-shutdown trip point. If the junction temperature exceeds the thermal-shutdown trip point, the output turns off. When the junction temperature falls below the thermal-shutdown trip point minus hysteresis, the output turns on again.

Calculate the power dissipated by the device according to the following formula:

$$P_{(IC)} = V_{(SUPPLY)} \times I_{(SUPPLY)} - \sum_{k=1}^8 n_k \times V_{(LEDk)} \times I_{(LEDk)} - \frac{V_{(REF)}^2}{R_{(REF)}} - \frac{V_{(REFHI)}^2}{R_{(REFHI)}} \quad (15)$$

where:

- n_k = Number of LEDs for x channel
- $V_{(LEDk)}$ = Voltage drop across one LED for x channel
- $V_{(REF)}$ = Reference voltage, typically 1.24 V
- $I_{(LEDk)}$ = Average LED current for channel k

After determining the power dissipated by the device, calculate the junction temperature from the ambient temperature and the device thermal impedance.

Thermal Information (接下页)

$$T_J = T_A + R_{\theta JA} \times P_{(IC)} \quad (16)$$

where:

T_A = Ambient temperature

$R_{\theta JA}$ = Junction-to-ambient thermal impedance

$P_{(IC)}$ = Dissipated power

13 器件和文档支持

13.1 商标

All trademarks are the property of their respective owners.

13.2 静电放电警告



这些装置包含有限的内置 ESD 保护。存储或装卸时，应将导线一起截短或将装置放置于导电泡棉中，以防止 MOS 门极遭受静电损伤。

13.3 术语表

[SLYZ022](#) — TI 术语表。

这份术语表列出并解释术语、首字母缩略词和定义。

14 机械封装和可订购信息

以下页中包括机械封装和可订购信息。 这些信息是针对指定器件可提供的最新数据。 本数据随时可能发生变更并且不对本文档进行修订，恕不另行通知。 要获得这份数据表的浏览器版本，请查阅左侧的导航窗格。

重要声明

德州仪器(TI)及其下属子公司有权根据 JESD46 最新标准,对所提供的产品和服务进行更正、修改、增强、改进或其它更改,并有权根据 JESD48 最新标准中止提供任何产品和服务。客户在下订单前应获取最新的相关信息,并验证这些信息是否完整且是最新的。所有产品的销售都遵循在订单确认时所提供的TI 销售条款与条件。

TI 保证其所销售的组件的性能符合产品销售时 TI 半导体产品销售条件与条款的适用规范。仅在 TI 保证的范围内,且 TI 认为有必要时才会使用测试或其它质量控制技术。除非适用法律做出了硬性规定,否则没有必要对每种组件的所有参数进行测试。

TI 对应用帮助或客户产品设计不承担任何义务。客户应对其使用 TI 组件的产品和应用自行负责。为尽量减小与客户产品和应用相关的风险,客户应提供充分的设计与操作安全措施。

TI 不对任何 TI 专利权、版权、屏蔽作品权或其它与使用了 TI 组件或服务的组合设备、机器或流程相关的 TI 知识产权中授予的直接或隐含权限作出任何保证或解释。TI 所发布的与第三方产品或服务有关的信息,不能构成从 TI 获得使用这些产品或服务的许可、授权、或认可。使用此类信息可能需要获得第三方的专利权或其它知识产权方面的许可,或是 TI 的专利权或其它知识产权方面的许可。

对于 TI 的产品手册或数据表中 TI 信息的重要部分,仅在没有对内容进行任何篡改且带有相关授权、条件、限制和声明的情况下才允许进行复制。TI 对此类篡改过的文件不承担任何责任或义务。复制第三方的信息可能需要服从额外的限制条件。

在转售 TI 组件或服务时,如果对该组件或服务参数的陈述与 TI 标明的参数相比存在差异或虚假成分,则会失去相关 TI 组件或服务的所有明示或暗示授权,且这是不正当的、欺诈性商业行为。TI 对任何此类虚假陈述均不承担任何责任或义务。

客户认可并同意,尽管任何应用相关信息或支持仍可能由 TI 提供,但他们将独立负责满足与其产品及其在应用中使用的 TI 产品相关的所有法律、法规和安全相关要求。客户声明并同意,他们具备制定与实施安全措施所需的全部专业技术和知识,可预见故障的危险后果、监测故障及其后果、降低有可能造成人身伤害的故障的发生机率并采取适当的补救措施。客户将全额赔偿因在此类安全关键应用中使用任何 TI 组件而对 TI 及其代理造成的任何损失。

在某些场合中,为了推进安全相关应用有可能对 TI 组件进行特别的促销。TI 的目标是利用此类组件帮助客户设计和创立其特有的可满足适用的功能安全性标准和要求的终端产品解决方案。尽管如此,此类组件仍然服从这些条款。

TI 组件未获得用于 FDA Class III (或类似的生命攸关医疗设备)的授权许可,除非各方授权官员已经达成了专门管控此类使用的特别协议。

只有那些 TI 特别注明属于军用等级或“增强型塑料”的 TI 组件才是设计或专门用于军事/航空应用或环境的。购买者认可并同意,对并非指定面向军事或航空航天用途的 TI 组件进行军事或航空航天方面的应用,其风险由客户单独承担,并且由客户独立负责满足与此类使用相关的所有法律和法规要求。

TI 已明确指定符合 ISO/TS16949 要求的产品,这些产品主要用于汽车。在任何情况下,因使用非指定产品而无法达到 ISO/TS16949 要求, TI 不承担任何责任。

	产品		应用
数字音频	www.ti.com.cn/audio	通信与电信	www.ti.com.cn/telecom
放大器和线性器件	www.ti.com.cn/amplifiers	计算机及周边	www.ti.com.cn/computer
数据转换器	www.ti.com.cn/dataconverters	消费电子	www.ti.com.cn/consumer-apps
DLP® 产品	www.dlp.com	能源	www.ti.com.cn/energy
DSP - 数字信号处理器	www.ti.com.cn/dsp	工业应用	www.ti.com.cn/industrial
时钟和计时器	www.ti.com.cn/clockandtimers	医疗电子	www.ti.com.cn/medical
接口	www.ti.com.cn/interface	安防应用	www.ti.com.cn/security
逻辑	www.ti.com.cn/logic	汽车电子	www.ti.com.cn/automotive
电源管理	www.ti.com.cn/power	视频和影像	www.ti.com.cn/video
微控制器 (MCU)	www.ti.com.cn/microcontrollers		
RFID 系统	www.ti.com.cn/rfidsys		
OMAP应用处理器	www.ti.com.cn/omap		
无线连通性	www.ti.com.cn/wirelessconnectivity	德州仪器在线技术支持社区	www.deyisupport.com

邮寄地址: 上海市浦东新区世纪大道1568号, 中建大厦32楼邮政编码: 200122
Copyright © 2015, 德州仪器半导体技术(上海)有限公司

PACKAGING INFORMATION

Orderable Device	Status (1)	Package Type	Package Drawing	Pins	Package Qty	Eco Plan (2)	Lead/Ball Finish (6)	MSL Peak Temp (3)	Op Temp (°C)	Device Marking (4/5)	Samples
TPS92638QPWRQ1	ACTIVE	HTSSOP	PWP	20	2000	Green (RoHS & no Sb/Br)	CU NIPDAU	Level-3-260C-168 HR	-40 to 125	TPS92638	Samples

(1) The marketing status values are defined as follows:

ACTIVE: Product device recommended for new designs.

LIFEBUY: TI has announced that the device will be discontinued, and a lifetime-buy period is in effect.

NRND: Not recommended for new designs. Device is in production to support existing customers, but TI does not recommend using this part in a new design.

PREVIEW: Device has been announced but is not in production. Samples may or may not be available.

OBSOLETE: TI has discontinued the production of the device.

(2) Eco Plan - The planned eco-friendly classification: Pb-Free (RoHS), Pb-Free (RoHS Exempt), or Green (RoHS & no Sb/Br) - please check <http://www.ti.com/productcontent> for the latest availability information and additional product content details.

TBD: The Pb-Free/Green conversion plan has not been defined.

Pb-Free (RoHS): TI's terms "Lead-Free" or "Pb-Free" mean semiconductor products that are compatible with the current RoHS requirements for all 6 substances, including the requirement that lead not exceed 0.1% by weight in homogeneous materials. Where designed to be soldered at high temperatures, TI Pb-Free products are suitable for use in specified lead-free processes.

Pb-Free (RoHS Exempt): This component has a RoHS exemption for either 1) lead-based flip-chip solder bumps used between the die and package, or 2) lead-based die adhesive used between the die and leadframe. The component is otherwise considered Pb-Free (RoHS compatible) as defined above.

Green (RoHS & no Sb/Br): TI defines "Green" to mean Pb-Free (RoHS compatible), and free of Bromine (Br) and Antimony (Sb) based flame retardants (Br or Sb do not exceed 0.1% by weight in homogeneous material)

(3) MSL, Peak Temp. - The Moisture Sensitivity Level rating according to the JEDEC industry standard classifications, and peak solder temperature.

(4) There may be additional marking, which relates to the logo, the lot trace code information, or the environmental category on the device.

(5) Multiple Device Markings will be inside parentheses. Only one Device Marking contained in parentheses and separated by a "~" will appear on a device. If a line is indented then it is a continuation of the previous line and the two combined represent the entire Device Marking for that device.

(6) Lead/Ball Finish - Orderable Devices may have multiple material finish options. Finish options are separated by a vertical ruled line. Lead/Ball Finish values may wrap to two lines if the finish value exceeds the maximum column width.

Important Information and Disclaimer: The information provided on this page represents TI's knowledge and belief as of the date that it is provided. TI bases its knowledge and belief on information provided by third parties, and makes no representation or warranty as to the accuracy of such information. Efforts are underway to better integrate information from third parties. TI has taken and continues to take reasonable steps to provide representative and accurate information but may not have conducted destructive testing or chemical analysis on incoming materials and chemicals. TI and TI suppliers consider certain information to be proprietary, and thus CAS numbers and other limited information may not be available for release.

In no event shall TI's liability arising out of such information exceed the total purchase price of the TI part(s) at issue in this document sold by TI to Customer on an annual basis.

TAPE AND REEL INFORMATION

QUADRANT ASSIGNMENTS FOR PIN 1 ORIENTATION IN TAPE


*All dimensions are nominal

Device	Package Type	Package Drawing	Pins	SPQ	Reel Diameter (mm)	Reel Width W1 (mm)	A0 (mm)	B0 (mm)	K0 (mm)	P1 (mm)	W (mm)	Pin1 Quadrant
TPS92638QPWPRQ1	HTSSOP	PWP	20	2000	330.0	16.4	6.95	7.1	1.6	8.0	16.0	Q1

TAPE AND REEL BOX DIMENSIONS



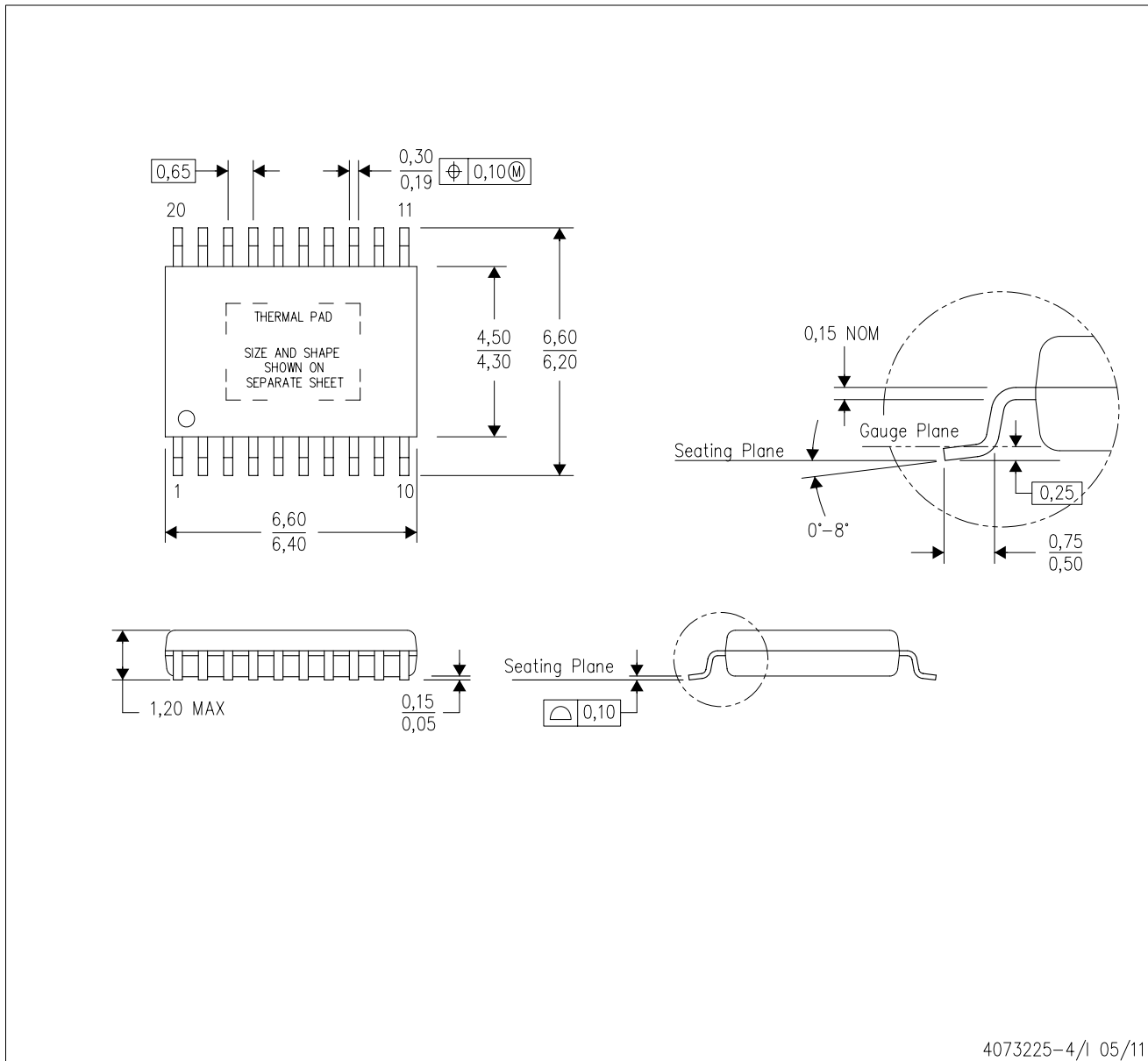
*All dimensions are nominal

Device	Package Type	Package Drawing	Pins	SPQ	Length (mm)	Width (mm)	Height (mm)
TPS92638QPWPRQ1	HTSSOP	PWP	20	2000	367.0	367.0	38.0

MECHANICAL DATA

PWP (R-PDSO-G20)

PowerPAD™ PLASTIC SMALL OUTLINE



- NOTES:
- All linear dimensions are in millimeters.
 - This drawing is subject to change without notice.
 - Body dimensions do not include mold flash or protrusions. Mold flash and protrusion shall not exceed 0.15 per side.
 - This package is designed to be soldered to a thermal pad on the board. Refer to Technical Brief, PowerPad Thermally Enhanced Package, Texas Instruments Literature No. SLMA002 for information regarding recommended board layout. This document is available at www.ti.com <<http://www.ti.com>>.
 - See the additional figure in the Product Data Sheet for details regarding the exposed thermal pad features and dimensions.
 - Falls within JEDEC MO-153

PowerPAD is a trademark of Texas Instruments.

THERMAL PAD MECHANICAL DATA

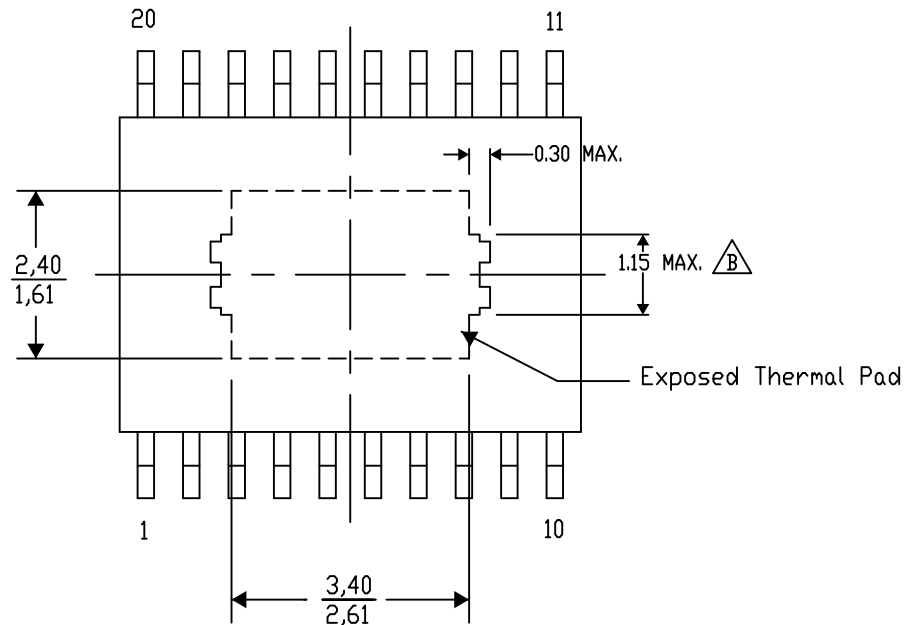
PWP (R-PDSO-G20) PowerPAD™ SMALL PLASTIC OUTLINE

THERMAL INFORMATION

This PowerPAD™ package incorporates an exposed thermal pad that is designed to be attached to a printed circuit board (PCB). The thermal pad must be soldered directly to the PCB. After soldering, the PCB can be used as a heatsink. In addition, through the use of thermal vias, the thermal pad can be attached directly to the appropriate copper plane shown in the electrical schematic for the device, or alternatively, can be attached to a special heatsink structure designed into the PCB. This design optimizes the heat transfer from the integrated circuit (IC).

For additional information on the PowerPAD package and how to take advantage of its heat dissipating abilities, refer to Technical Brief, PowerPAD Thermally Enhanced Package, Texas Instruments Literature No. SLMA002 and Application Brief, PowerPAD Made Easy, Texas Instruments Literature No. SLMA004. Both documents are available at www.ti.com.

The exposed thermal pad dimensions for this package are shown in the following illustration.



Top View

Exposed Thermal Pad Dimensions

4206332-15/AO 01/16

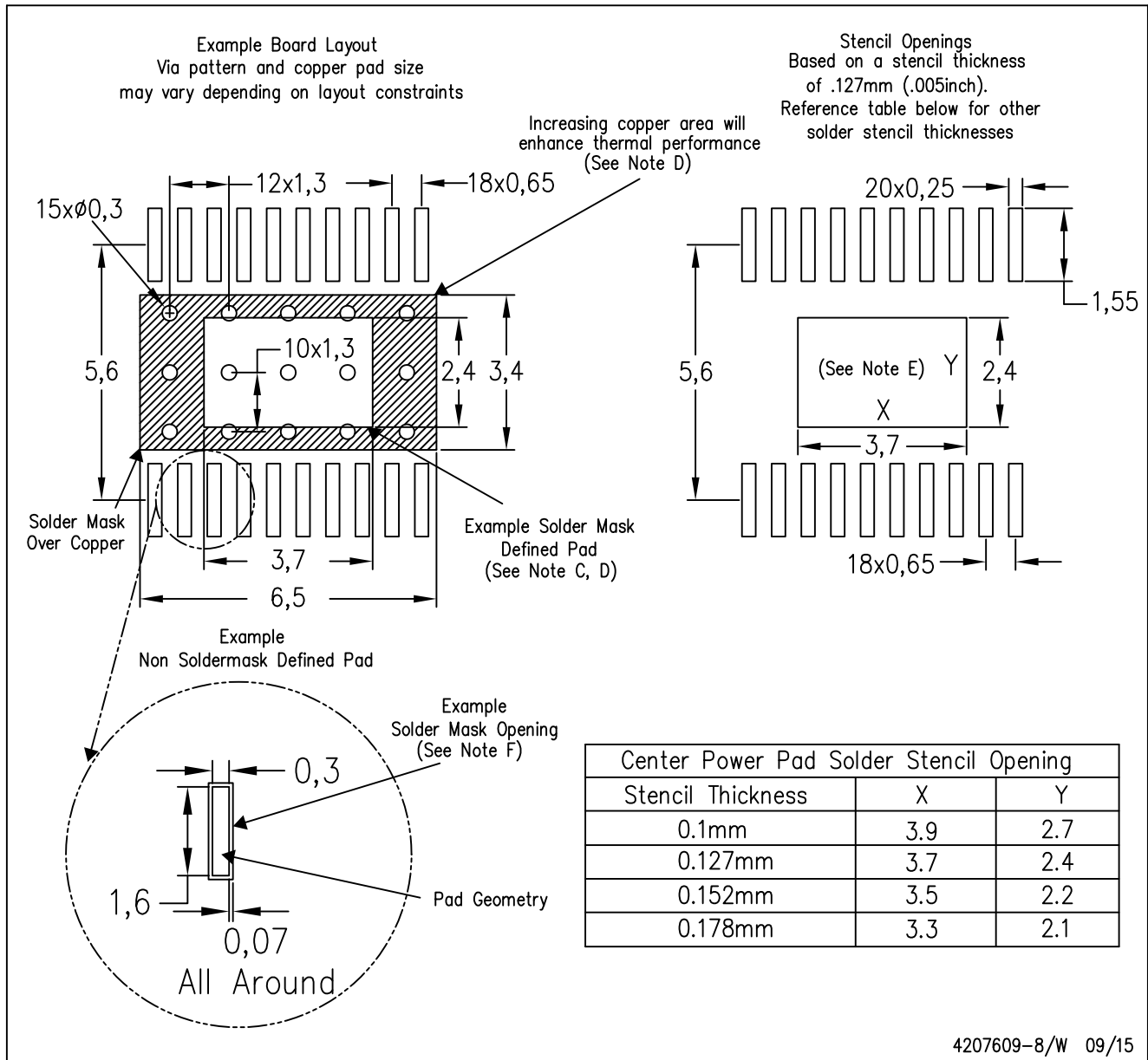
NOTE: A. All linear dimensions are in millimeters

 Exposed tie strap features may not be present.

PowerPAD is a trademark of Texas Instruments

PWP (R-PDSO-G20)

PowerPAD™ PLASTIC SMALL OUTLINE



- NOTES:
- A. All linear dimensions are in millimeters.
 - B. This drawing is subject to change without notice.
 - C. Customers should place a note on the circuit board fabrication drawing not to alter the center solder mask defined pad.
 - D. This package is designed to be soldered to a thermal pad on the board. Refer to Technical Brief, PowerPad Thermally Enhanced Package, Texas Instruments Literature No. SLMA002, SLMA004, and also the Product Data Sheets for specific thermal information, via requirements, and recommended board layout. These documents are available at www.ti.com <<http://www.ti.com>>. Publication IPC-7351 is recommended for alternate designs.
 - E. Laser cutting apertures with trapezoidal walls and also rounding corners will offer better paste release. Customers should contact their board assembly site for stencil design recommendations. Example stencil design based on a 50% volumetric metal load solder paste. Refer to IPC-7525 for other stencil recommendations.
 - F. Customers should contact their board fabrication site for solder mask tolerances between and around signal pads.

重要声明

德州仪器(TI) 及其下属子公司有权根据 JESD46 最新标准, 对所提供的产品和服务进行更正、修改、增强、改进或其它更改, 并有权根据 JESD48 最新标准中止提供任何产品和服务。客户在下订单前应获取最新的相关信息, 并验证这些信息是否完整且是最新的。所有产品的销售都遵循在订单确认时所提供的TI 销售条款与条件。

TI 保证其所销售的组件的性能符合产品销售时 TI 半导体产品销售条件与条款的适用规范。仅在 TI 保证的范围内, 且 TI 认为有必要时才会使用测试或其它质量控制技术。除非适用法律做出了硬性规定, 否则没有必要对每种组件的所有参数进行测试。

TI 对应用帮助或客户产品设计不承担任何义务。客户应对其使用 TI 组件的产品和应用自行负责。为尽量减小与客户产品和应用相关的风险, 客户应提供充分的设计与操作安全措施。

TI 不对任何 TI 专利权、版权、屏蔽作品权或其它与使用了 TI 组件或服务的组合设备、机器或流程相关的 TI 知识产权中授予的直接或间接版权限作出任何保证或解释。TI 所发布的与第三方产品或服务有关的信息, 不能构成从 TI 获得使用这些产品或服务的许可、授权、或认可。使用此类信息可能需要获得第三方的专利权或其它知识产权方面的许可, 或是 TI 的专利权或其它知识产权方面的许可。

对于 TI 的产品手册或数据表中 TI 信息的重要部分, 仅在没有对内容进行任何篡改且带有相关授权、条件、限制和声明的情况下才允许进行复制。TI 对此类篡改过的文件不承担任何责任或义务。复制第三方的信息可能需要服从额外的限制条件。

在转售 TI 组件或服务时, 如果对该组件或服务参数的陈述与 TI 标明的参数相比存在差异或虚假成分, 则会失去相关 TI 组件或服务的所有明示或暗示授权, 且这是不正当的、欺诈性商业行为。TI 对任何此类虚假陈述均不承担任何责任或义务。

客户认可并同意, 尽管任何应用相关信息或支持仍可能由 TI 提供, 但他们将独自负责满足与其产品及其应用中使用 TI 产品相关的所有法律、法规和安全相关要求。客户声明并同意, 他们具备制定与实施安全措施所需的全部专业技术和知识, 可预见故障的危险后果、监测故障及其后果、降低有可能造成人身伤害的故障的发生机率并采取适当的补救措施。客户将全额赔偿因在此类安全关键应用中使用任何 TI 组件而对 TI 及其代理造成的任何损失。

在某些场合中, 为了推进安全相关应用有可能对 TI 组件进行特别的促销。TI 的目标是利用此类组件帮助客户设计和创立其特有的可满足适用的功能安全性标准和要求的终端产品解决方案。尽管如此, 此类组件仍然服从这些条款。

TI 组件未获得用于 FDA Class III (或类似的生命攸关医疗设备) 的授权许可, 除非各方授权官员已经达成了专门管控此类使用的特别协议。

只有那些 TI 特别注明属于军用等级或“增强型塑料”的 TI 组件才是设计或专门用于军事/航空应用或环境的。购买者认可并同意, 对并非指定面向军事或航空航天用途的 TI 组件进行军事或航空航天方面的应用, 其风险由客户单独承担, 并且由客户独自负责满足与此类使用相关的所有法律和法规要求。

TI 已明确指定符合 ISO/TS16949 要求的产品, 这些产品主要用于汽车。在任何情况下, 因使用非指定产品而无法达到 ISO/TS16949 要求, TI 不承担任何责任。

	产品		应用
数字音频	www.ti.com.cn/audio	通信与电信	www.ti.com.cn/telecom
放大器和线性器件	www.ti.com.cn/amplifiers	计算机及周边	www.ti.com.cn/computer
数据转换器	www.ti.com.cn/dataconverters	消费电子	www.ti.com.cn/consumer-apps
DLP® 产品	www.dlp.com	能源	www.ti.com.cn/energy
DSP - 数字信号处理器	www.ti.com.cn/dsp	工业应用	www.ti.com.cn/industrial
时钟和计时器	www.ti.com.cn/clockandtimers	医疗电子	www.ti.com.cn/medical
接口	www.ti.com.cn/interface	安防应用	www.ti.com.cn/security
逻辑	www.ti.com.cn/logic	汽车电子	www.ti.com.cn/automotive
电源管理	www.ti.com.cn/power	视频和影像	www.ti.com.cn/video
微控制器 (MCU)	www.ti.com.cn/microcontrollers		
RFID 系统	www.ti.com.cn/rfidsys		
OMAP应用处理器	www.ti.com.cn/omap		
无线连通性	www.ti.com.cn/wirelessconnectivity	德州仪器在线技术支持社区	www.deyisupport.com

Mailing Address: Texas Instruments, Post Office Box 655303, Dallas, Texas 75265
Copyright © 2016, Texas Instruments Incorporated