

DCPA1 系列 1W、隔离式非稳压直流/直流转换器模块

1 特性

- 2.0kV 直流隔离（运行）
- 具有软启动，可减小浪涌电流
- 频率同步
- EN55022 B 类 EMC 性能
- UL1950 认证组件
- 7 引脚 PDIP 和 7 引脚 SOP 封装

2 应用

- 信号路径隔离
- 消除接地环路
- 数据采集
- 工业控制和仪器
- 测试设备

3 说明

DCPA1 系列是一系列 1W、隔离式非稳压直流/直流转换器模块。DCPA1 系列器件需要至少两个外部组件，其包含片上器件保护装置，且能够同步至外部时钟。

DCPA1 系列器件集 这些特性 和小型尺寸于一体，适合各种 应用且在需要信号路径隔离的 应用中 是一种易于使用的解决方案。

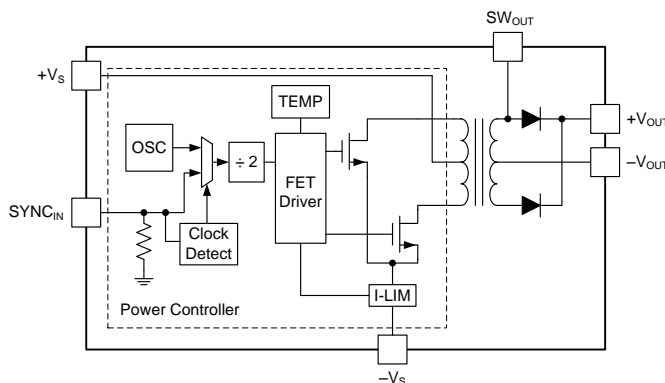
警告：此产品具有运行隔离功能，仅可用于信号隔离。不可作为需要增强型隔离的安全隔离电路的一部分使用。请参见 [功能描述](#) 部分中的定义。

器件信息 (1)

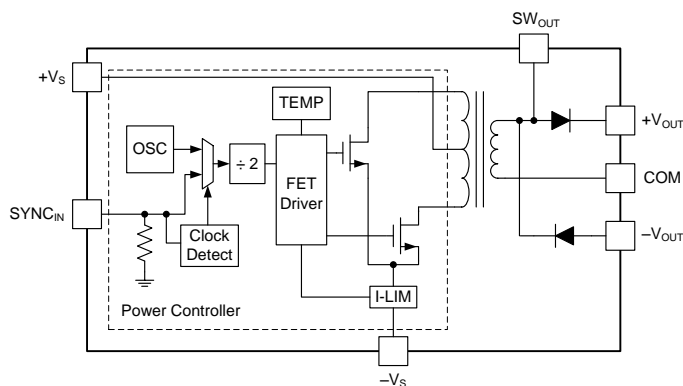
部件号	封装	封装尺寸（标称值）
DCPA1xxxx	PDIP (7)	19.18mm × 10.60mm
	SOP (7)	

(1) 要了解所有可用封装，请参见数据表末尾的可订购产品附录。

单路输出方框图



双路输出方框图



目录

1 特性	1	7.2 Functional Block Diagrams	13
2 应用	1	7.3 Feature Description	14
3 说明	1	8 Application and Implementation	17
4 修订历史记录	2	8.1 Application Information	17
5 Pin Configuration and Functions	3	8.2 Typical Application	18
6 Specifications	4	9 Power Supply Recommendations	19
6.1 Absolute Maximum Ratings	4	10 Layout	20
6.2 ESD Ratings	4	10.1 Layout Guidelines	20
6.3 Recommended Operating Conditions	4	10.2 Layout Example	20
6.4 Electrical Characteristics	4	11 器件和文档支持	21
6.5 Switching Characteristics	6	11.1 器件支持	21
6.6 Typical Characteristics (DCPA10505)	7	11.2 文档支持	21
6.7 Typical Characteristics (DCPA10512)	8	11.3 社区资源	21
6.8 Typical Characteristics (DCPA10515)	9	11.4 相关链接	21
6.9 Typical Characteristics (DCPA10505D)	10	11.5 商标	21
6.10 Typical Characteristics (DCPA10512D)	11	11.6 静电放电警告	22
6.11 Typical Characteristics (DCPA10515D)	12	11.7 Glossary	22
7 Detailed Description	13	12 机械、封装和可订购信息	22
7.1 Overview	13		

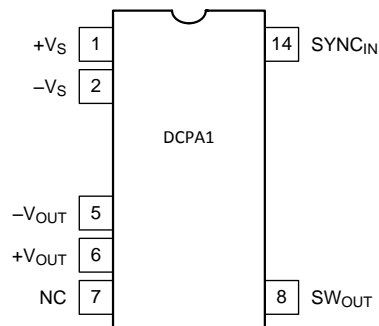
4 修订历史记录

注：之前版本的页码可能与当前版本有所不同。

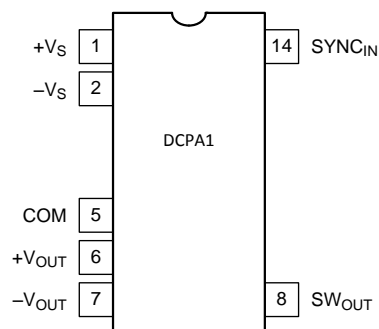
日期	修订版本	注释
2017 年 4 月	*	首次发布。

5 Pin Configuration and Functions

NVA and DUA Package
7-Pin PDIP and SOP (Single Output)
(Top View)



NVA and DUA Package
7-Pin PDIP and SOP (Dual Output)
(Top View)



Pin Functions

PIN NAME	PIN NUMBER		I/O ⁽¹⁾	Description
	SINGLE-OUTPUT	DUAL-OUTPUT		
COM	—	5	O	Output side common
NC	7	—	—	No connection
SYNC _{IN}	14	14	I	Synchronization. This pin is used to synchronize to an external clock. Internally it is pulled to GND. If valid clock is not detected on this pin, the SN6505 shifts automatically to internal clock.
SW _{OUT}	8	8	O	Unrectified transformer output.
+V _{OUT}	6	6	O	Positive output voltage
+V _S	1	1	I	Input voltage
-V _{OUT}	5	7	O	Negative output voltage
-V _S	2	2	I	Input side common

(1) I = Input, O = Output

6 Specifications

6.1 Absolute Maximum Ratings

over operating free-air temperature range (unless otherwise noted) ⁽¹⁾

		MIN	MAX	UNIT	
Input voltage	+V _S	-0.5	6	V	
	50ns transient	-1.0	7	V	
	SYNC _{IN}		-0.5	+V _S	V
		50ns transient	-1.0	6	V
Lead temperature (soldering, 10 s)			260	°C	
Storage temperature, T _{stg}		-60	125	°C	

(1) Stresses beyond those listed under *Absolute Maximum Ratings* may cause permanent damage to the device. These are stress ratings only, which do not imply functional operation of the device at these or any other conditions beyond those indicated under *Recommended Operating Conditions*. Exposure to absolute-maximum-rated conditions for extended periods may affect device reliability.

6.2 ESD Ratings

		VALUE	UNIT
V _(ESD)	Electrostatic discharge	Human-body model (HBM), per ANSI/ESDA/JEDEC JS-001 ⁽¹⁾	±1000
		Charged-device model (CDM), per JEDEC specification JESD22-C101 ⁽²⁾	±250

(1) JEDEC document JEP155 states that 500-V HBM allows safe manufacturing with a standard ESD control process.

(2) JEDEC document JEP157 states that 250-V CDM allows safe manufacturing with a standard ESD control process.

6.3 Recommended Operating Conditions

over operating free-air temperature range (unless otherwise noted)

		MIN	NOM	MAX	UNIT
Input voltage		4.5	5	5.5	V
Output power		0.05		1	W
Operating ambient temperature range		-40		100	°C

6.4 Electrical Characteristics

T_A = 25°C, +V_S = nominal, C_{IN} = 2.2 μF, C_{OUT} = 1.0 μF, (unless otherwise noted)

PARAMETER		TEST CONDITIONS		MIN	TYP	MAX	UNIT
OUTPUT							
P _{OUT}	Output power	Over +V _S range, I _{OUT} = 100% (full load)				1	W
I _{OUT}	Output current	DCPA10505				200	mA
		DCPA10505D				200 ⁽¹⁾	mA
		DCPA10512				83	mA
		DCPA10512D				83 ⁽¹⁾	mA
		DCPA10515				66	mA
		DCPA10515D				66 ⁽¹⁾	mA

(1) I_{OUT1} + I_{OUT2}

Electrical Characteristics (continued)

 $T_A = 25^\circ\text{C}$, $+V_S = \text{nominal}$, $C_{IN} = 2.2\ \mu\text{F}$, $C_{OUT} = 1.0\ \mu\text{F}$, (unless otherwise noted)

PARAMETER		TEST CONDITIONS	MIN	TYP	MAX	UNIT
V_{OUT}	Output voltage	$I_{OUT} = 100\% \text{ load }^{(2)}$	DCPA10505	5.0		V
			DCPA10505D	± 5.0		V
			DCPA10512	12.0		V
			DCPA10512D	± 12.0		V
			DCPA10515	15.0		V
			DCPA10515D	± 15.0		V
	Temperature variation	$-40^\circ\text{C} \leq T_A \leq 100^\circ\text{C}$, $I_{OUT} = 100\% \text{ load}$		0.02		$\% / ^\circ\text{C}$
Line regulation		$+V_S(\text{MIN}) \text{ to } +V_S(\text{TYP})$, $I_{OUT} = 10\% \text{ load}$		10%		
		$+V_S(\text{TYP}) \text{ to } +V_S(\text{MAX})$, $I_{OUT} = 10\% \text{ load}$		10%		
Load regulation ⁽³⁾		10% to 100% load		5%		
V_{RIPPLE}	Output voltage ripple ⁽⁴⁾	$C_{OUT} = 1\ \mu\text{F}$, $I_{OUT} = 50\%$		20		mV _{PP}
INPUT						
$+V_S$	Input voltage range		4.5		5.5	V
UVLO	$+V_S$ Undervoltage lockout	$+V_S$ increasing threshold			2.25	V
		$+V_S$ decreasing threshold	1.7			V
I_Q	Quiescent current	$I_{OUT} = 0\% \text{ load}$	DCPA10505	35		mA
			DCPA10505D	25		mA
			DCPA10512	29		mA
			DCPA10512D	36		mA
			DCPA10515	31		mA
			DCPA10515D	38		mA

(2) See Load Regulation graphs in the Typical Characterization section for typical voltage at all load conditions.

(3) Load regulation = $(V_{OUT} \text{ at } 10\% \text{ load} - V_{OUT} \text{ at } 100\%) / V_{OUT} \text{ at } 75\% \text{ load}$

(4) Guaranteed by design. Not production tested.

Electrical Characteristics (continued)

$T_A = 25^\circ\text{C}$, $+V_S = \text{nominal}$, $C_{IN} = 2.2\ \mu\text{F}$, $C_{OUT} = 1.0\ \mu\text{F}$, (unless otherwise noted)

PARAMETER		TEST CONDITIONS		MIN	TYP	MAX	UNIT	
ISOLATION								
V_{ISO}	Isolation	1-second flash test, voltage	DC	2.0 ⁽⁵⁾⁽⁴⁾			kVDC	
			AC	1.5 ⁽⁵⁾			kVrms	
		1-second flash test, leakage current				30		μA
		Continuous working voltage across isolation barrier	DC			60		VDC
			AC			42.5		VAC
		dV/dt			50		V/ms	
C_{ISO}	Barrier capacitance	$V_{ISO} = 750\ \text{Vrms}$			28		pF	
PERFORMANCE								
Efficiency		$I_{OUT} = 100\%$	DCPA10505	85%				
			DCPA10505D	85%				
			DCPA10512	87%				
			DCPA10512D	88%				
			DCPA10515	86%				
			DCPA10515D	86%				
Transient response ⁽⁴⁾		50% to 100% load step	DCPA10505	3.0%				
			DCPA10512	1.9%				
			DCPA10515	2.0%				
		50% to 100% load step per output ⁽⁶⁾	DCPA10505D	2.7%				
			DCPA10512D	2.0%				
			DCPA10515D	1.6%				
RELIABILITY								
Demonstrated		$T_A = 55^\circ\text{C}$			55		FITS	
CAPACITANCE								
C_{IN}	External input capacitance	Ceramic		2.2			μF	
C_{OUT}	External output capacitance	Ceramic		0.1	1.0	200	μF	
THERMAL SHUTDOWN								
T_{SD}	Die temperature at shutdown				168		$^\circ\text{C}$	
I_{SD}	Shutdown current				3		mA	

(5) See [Isolation Voltage](#) section for more information.

(6) Transient testing for dual output devices are tested with one output loaded with a 50% static load and the other output loaded with a 50% to 100% dynamic load step.

6.5 Switching Characteristics

at $T_A = +25^\circ\text{C}$, $+V_S = \text{nominal}$, $C_{IN} = 2.2\ \mu\text{F}$, $C_{OUT} = 1.0\ \mu\text{F}$, (unless otherwise noted)

PARAMETER		TEST CONDITIONS		MIN	TYP	MAX	UNIT
f_{OSC}	Oscillator frequency	$f_{SW} = f_{OSC}/2$			850		kHz
f_{SYNC}	Synchronization frequency range			750		1000	kHz
V_{IH}	High-level input threshold, $SYNC_{IN}$			0.7			V
V_{IL}	Low-level input threshold, $SYNC_{IN}$					0.3	V

6.6 Typical Characteristics (DCPA10505)

At $T_A = 25^\circ\text{C}$, $+V_S = \text{nominal}$, (unless otherwise noted)

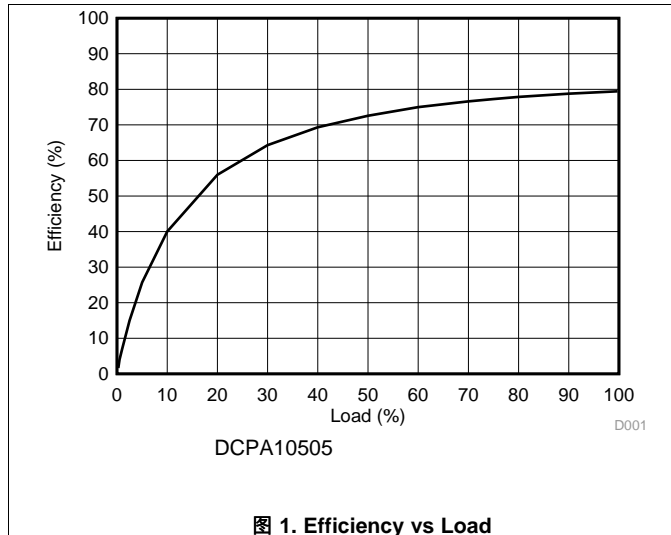


图 1. Efficiency vs Load

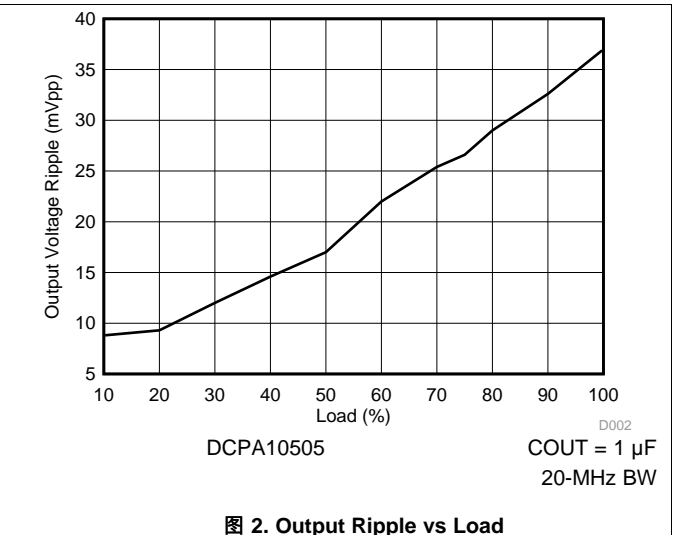


图 2. Output Ripple vs Load

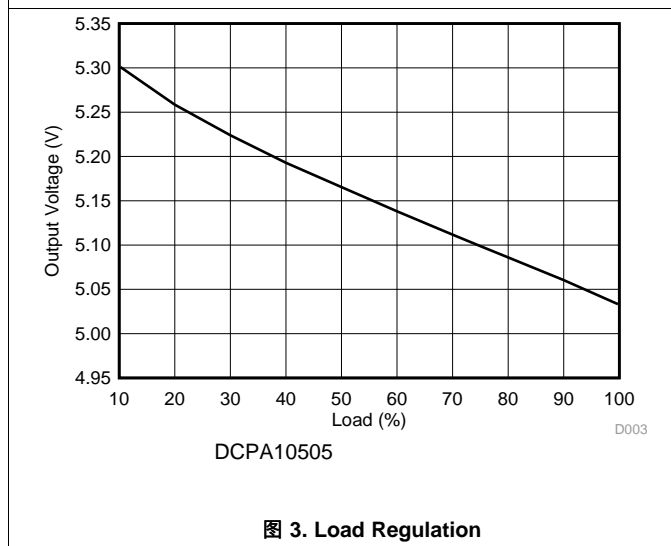


图 3. Load Regulation

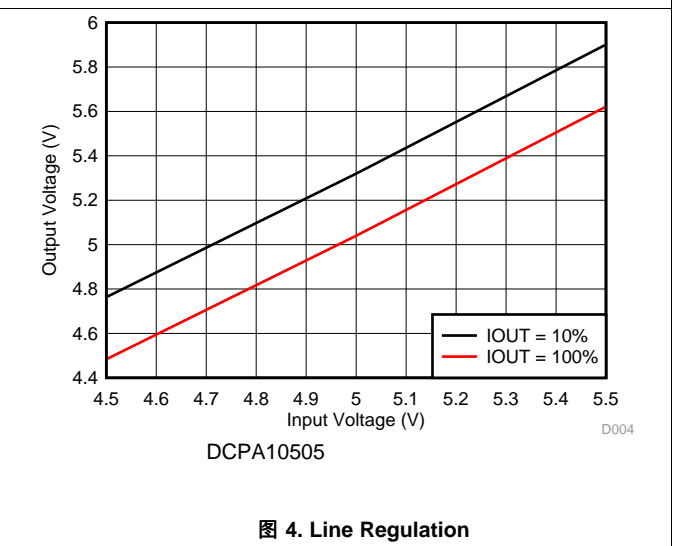


图 4. Line Regulation

6.7 Typical Characteristics (DCPA10512)

At $T_A = 25^\circ\text{C}$, $+V_S = \text{nominal}$, (unless otherwise noted)

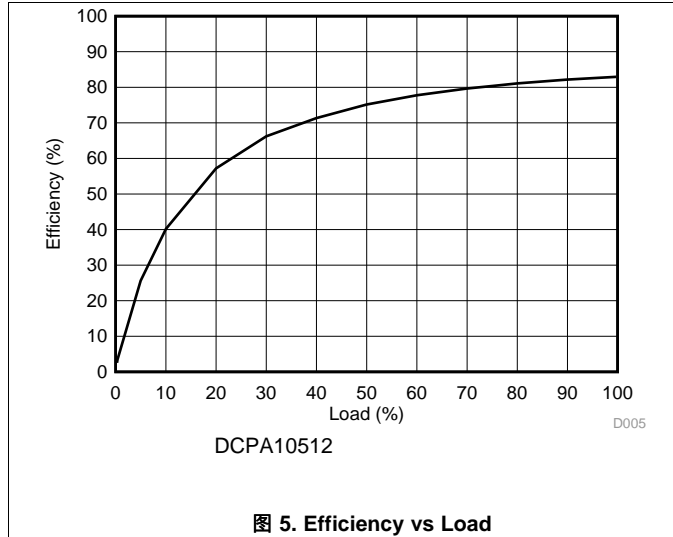


图 5. Efficiency vs Load

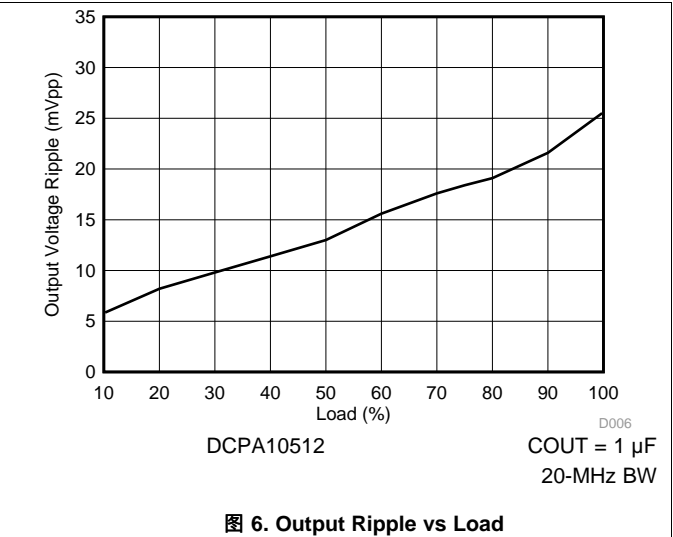


图 6. Output Ripple vs Load

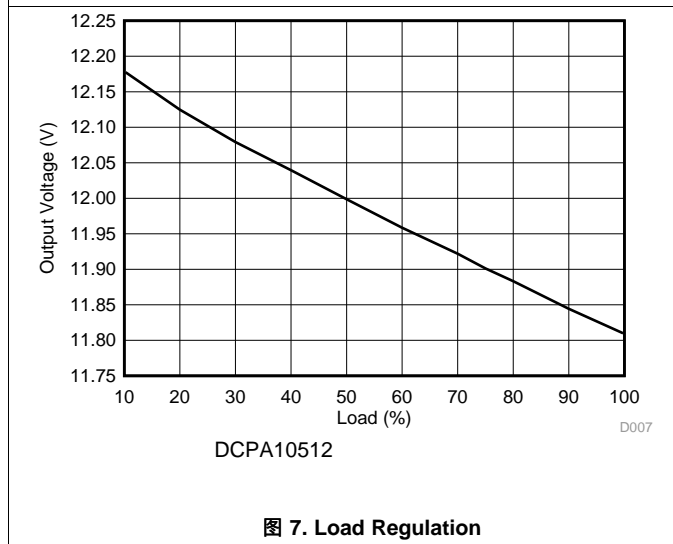


图 7. Load Regulation

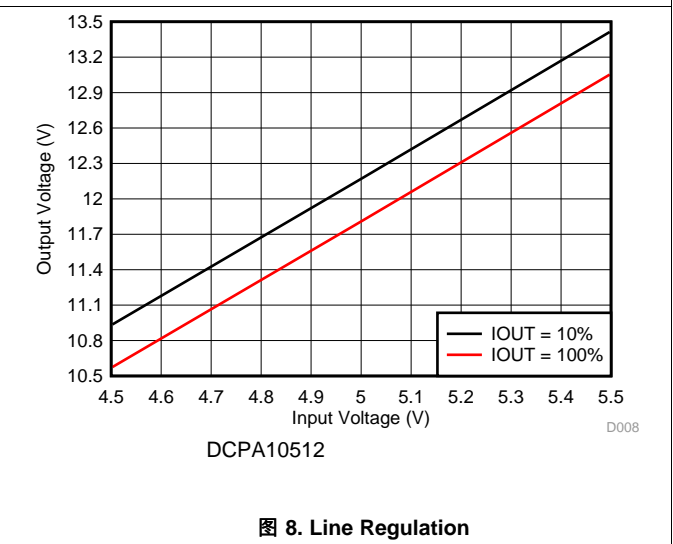


图 8. Line Regulation

6.8 Typical Characteristics (DCPA10515)

At $T_A = 25^\circ\text{C}$, $+V_S = \text{nominal}$, (unless otherwise noted)

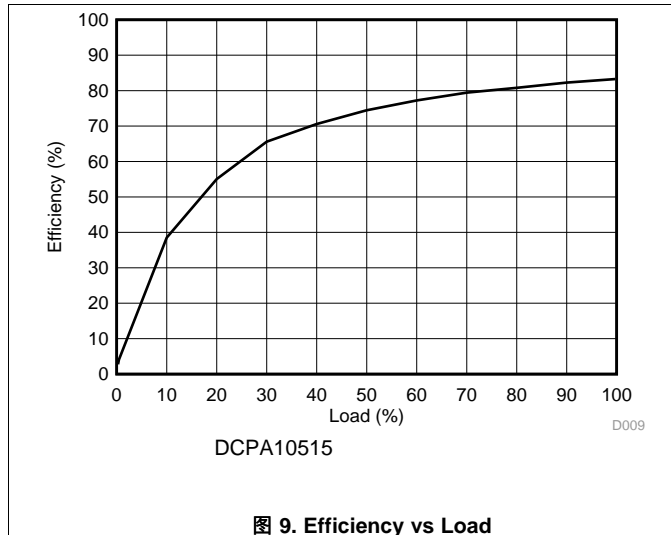


图 9. Efficiency vs Load

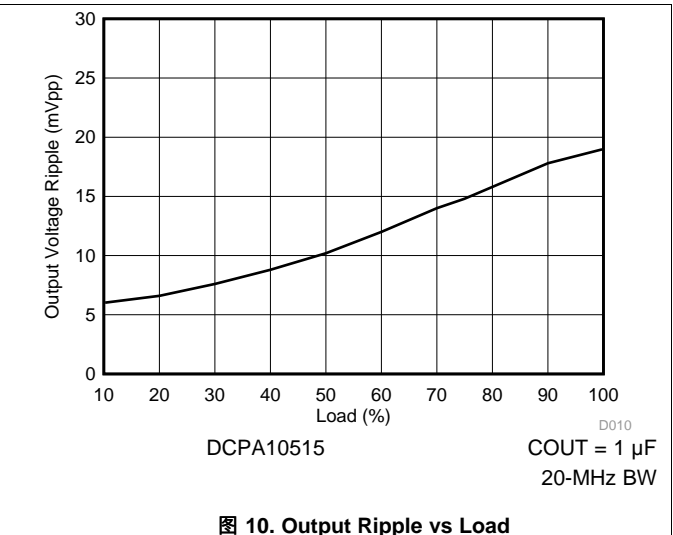


图 10. Output Ripple vs Load

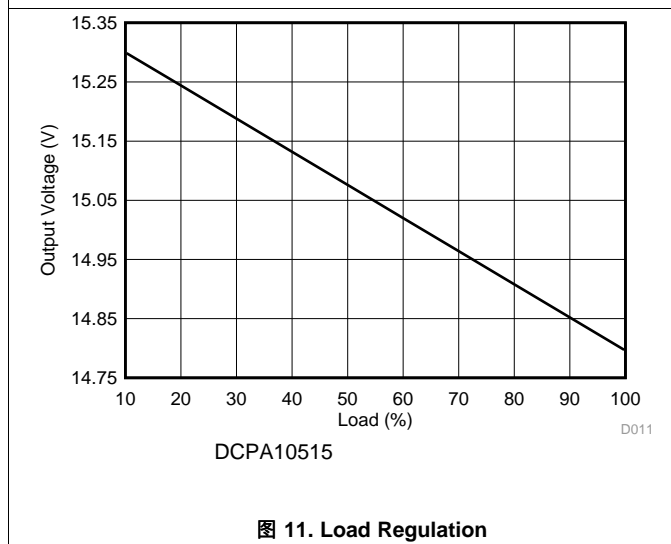


图 11. Load Regulation

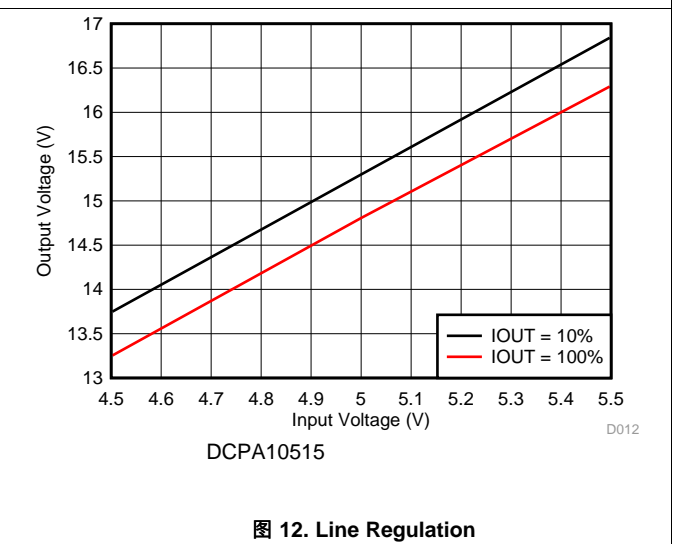
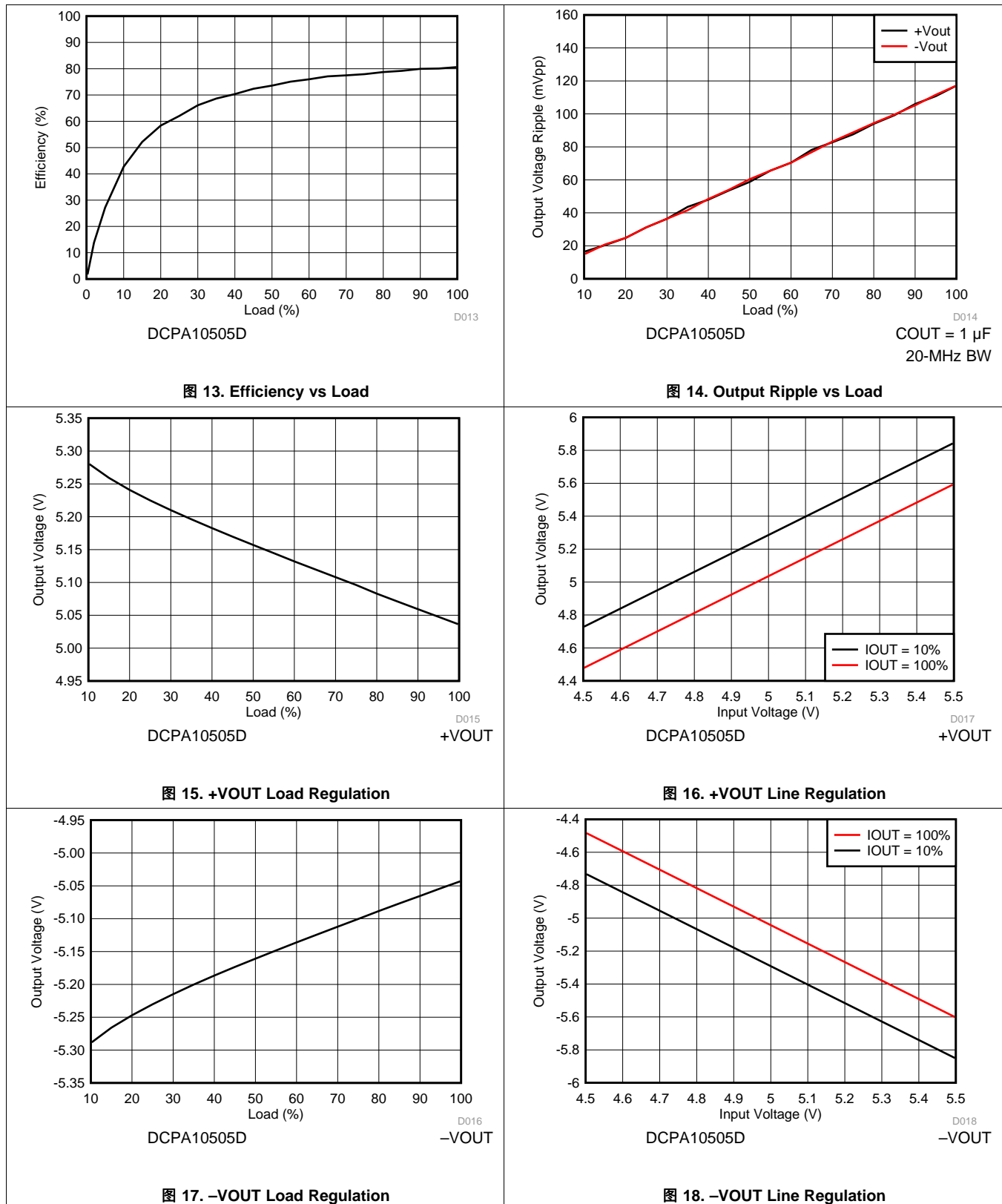


图 12. Line Regulation

6.9 Typical Characteristics (DCPA10505D)

At $T_A = 25^\circ\text{C}$, $+V_S = \text{nominal}$, (unless otherwise noted)



6.10 Typical Characteristics (DCPA10512D)

At $T_A = 25^\circ\text{C}$, $+V_S = \text{nominal}$, (unless otherwise noted)

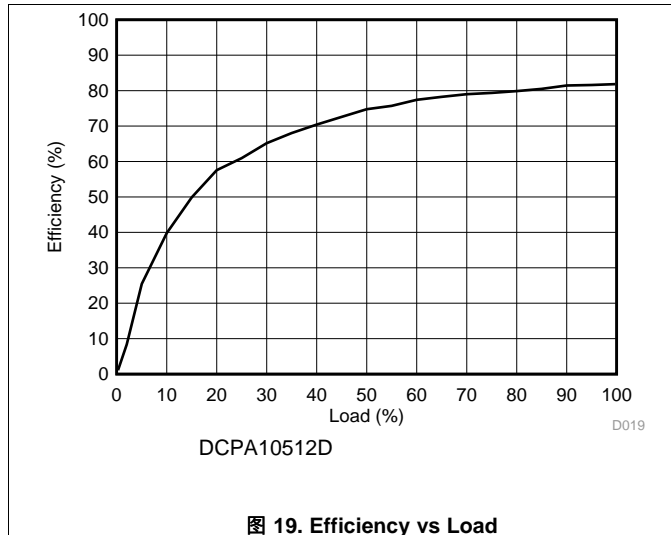


图 19. Efficiency vs Load

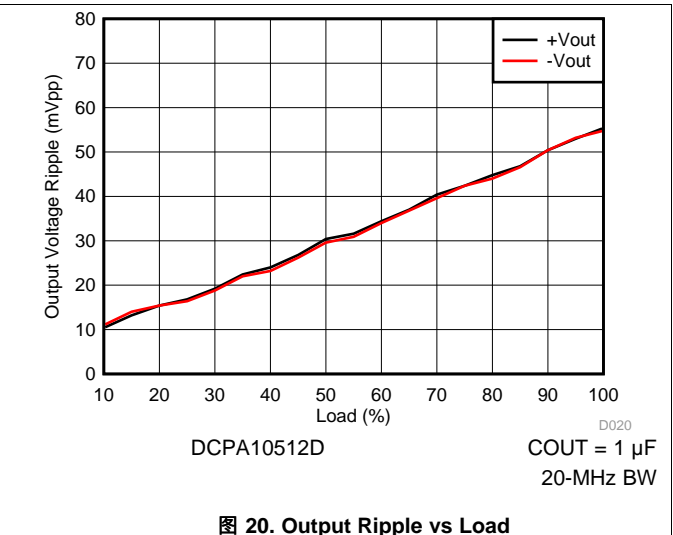


图 20. Output Ripple vs Load

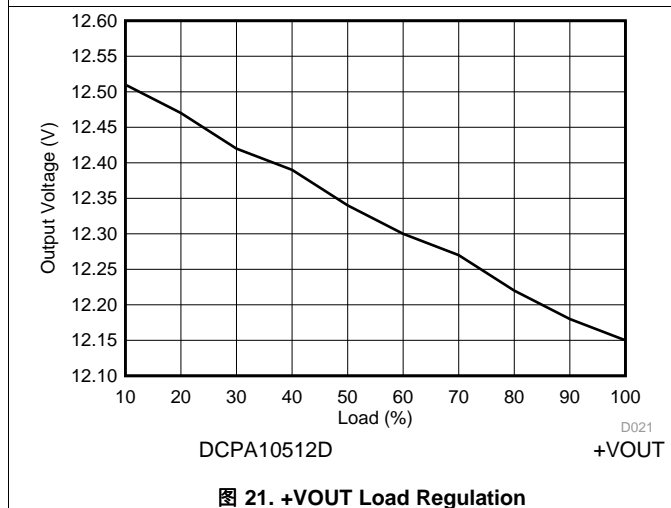


图 21. +VOUT Load Regulation

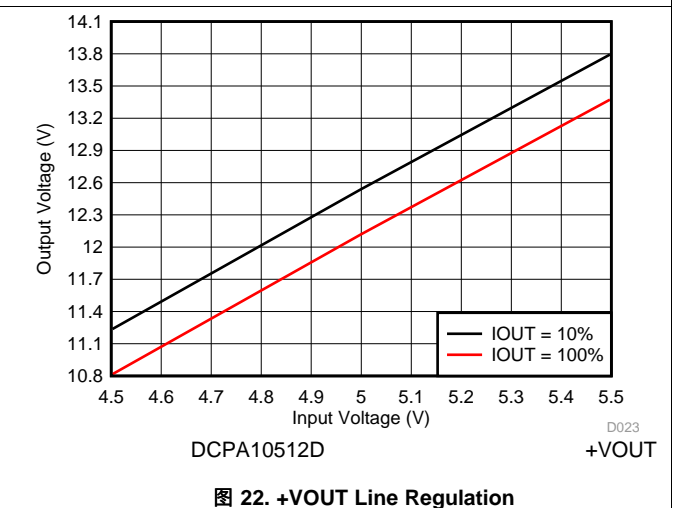


图 22. +VOUT Line Regulation

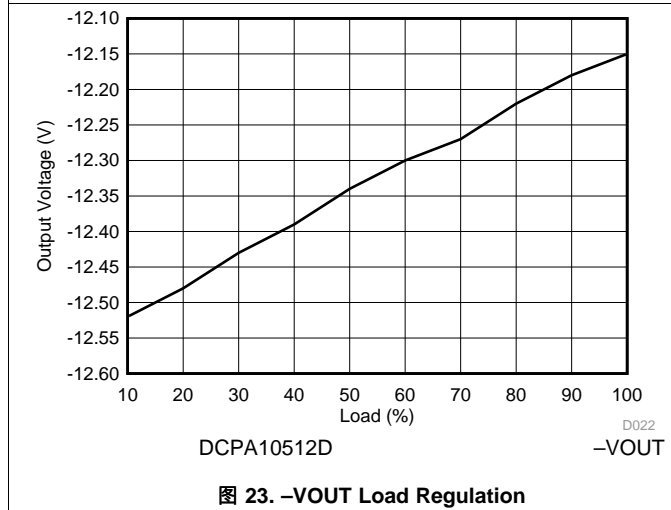


图 23. -VOUT Load Regulation

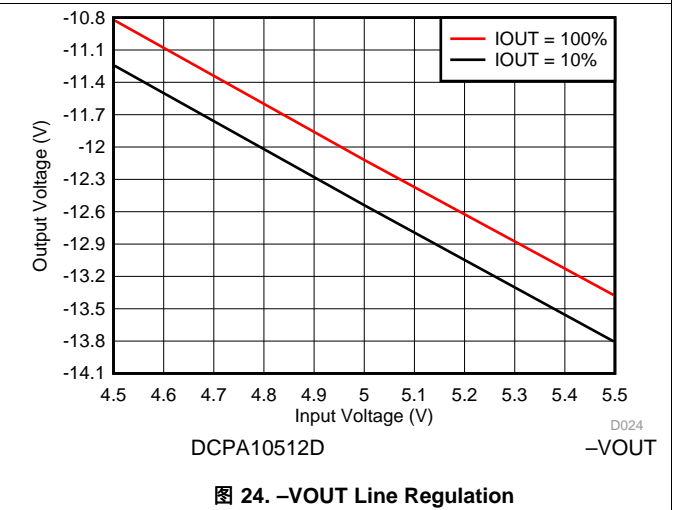


图 24. -VOUT Line Regulation

6.11 Typical Characteristics (DCPA10515D)

At $T_A = 25^\circ\text{C}$, $+V_S = \text{nominal}$, (unless otherwise noted)

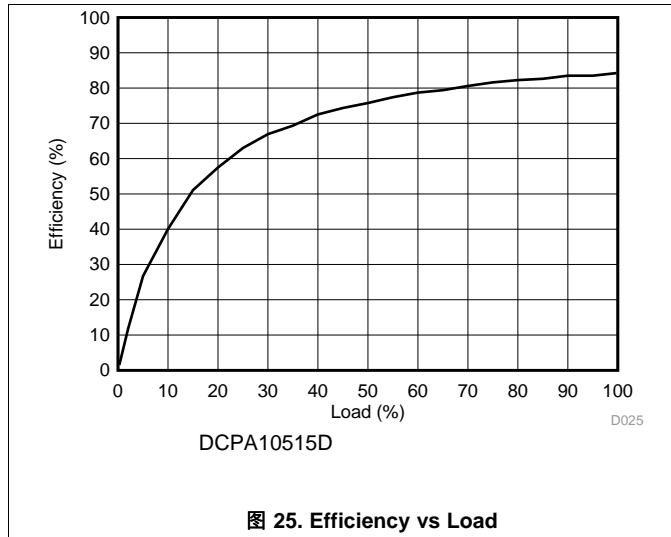


图 25. Efficiency vs Load

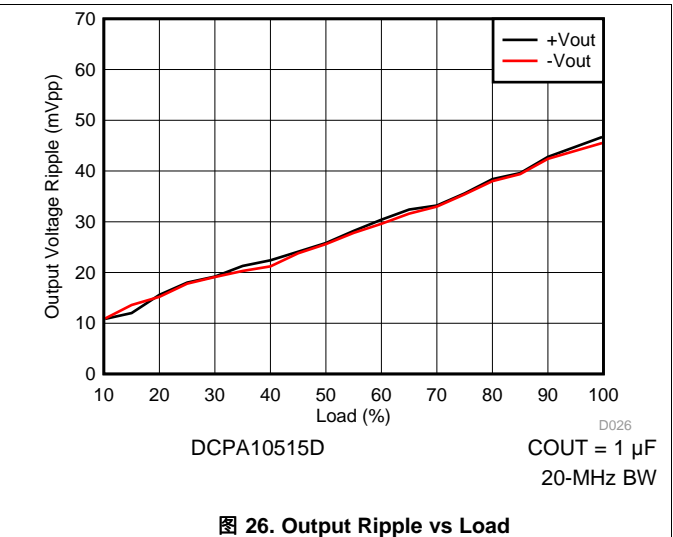


图 26. Output Ripple vs Load

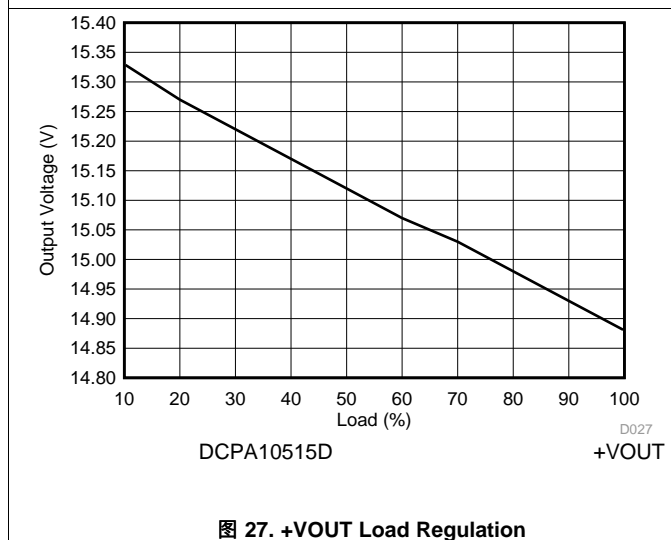


图 27. +VOUT Load Regulation

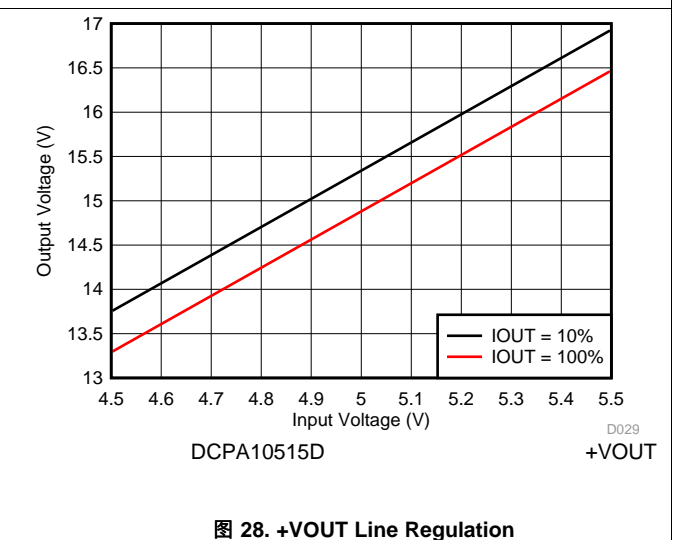


图 28. +VOUT Line Regulation

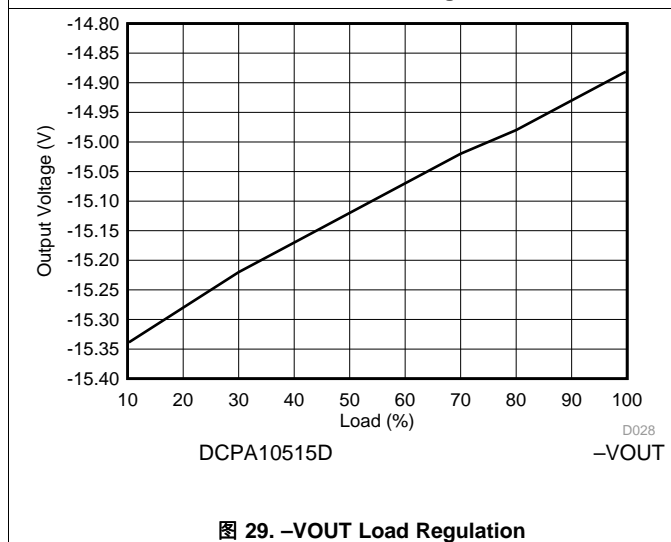


图 29. -VOUT Load Regulation

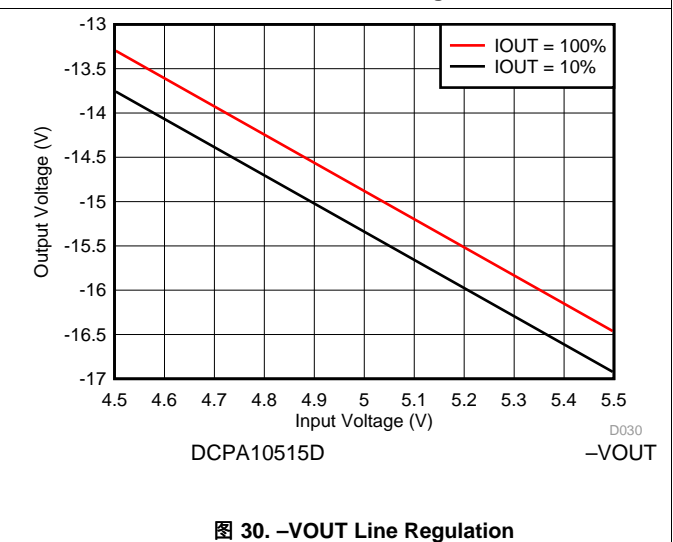


图 30. -VOUT Line Regulation

7 Detailed Description

7.1 Overview

The DCPA1 offers up to 1 W of isolated, unregulated output power from a 5-V input source with a typical efficiency of up to 87%. This efficiency is achieved through highly integrated packaging technology and the implementation of a custom power stage and control device. The DCPA1 devices are specified for operational isolation only. The circuit design uses an advanced BiCMOS and DMOS process.

7.2 Functional Block Diagrams

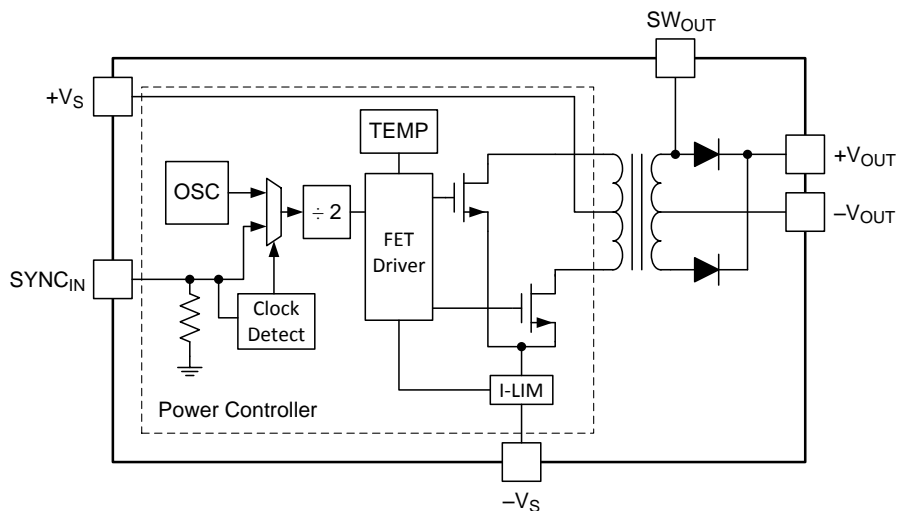


图 31. Single Output Device

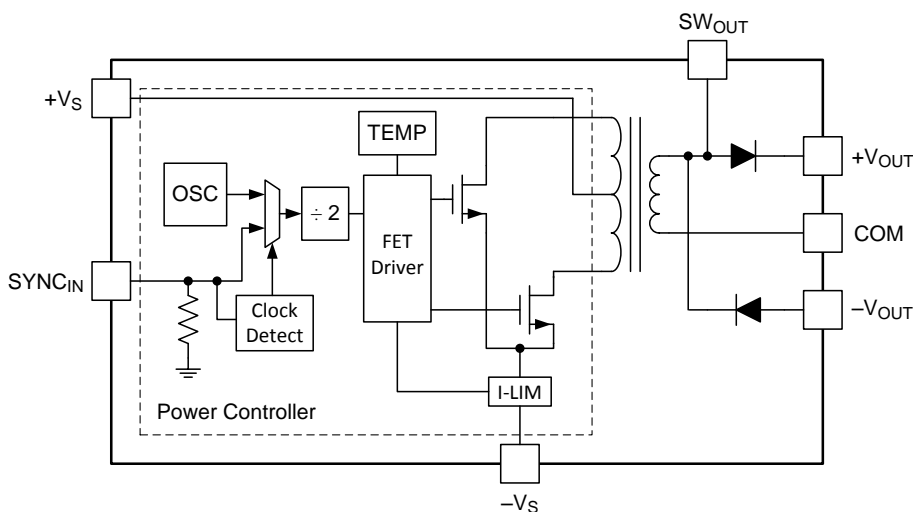


图 32. Dual Output Device

7.3 Feature Description

7.3.1 Isolation

Underwriters Laboratories, UL™ defines several classes of isolation that are used in modern power supplies.

Safety extra low voltage (SELV) is defined by UL (UL1950 E199929) as a secondary circuit which is so designated and protected that under normal and single fault conditions the voltage between any two accessible parts, or between an accessible part and the equipment earthing terminal for operational isolation does not exceed steady state 42 V peak or 60 V_{DC} for more than 1 second.

7.3.1.1 Operation or Functional Isolation

Operational or functional isolation is defined by the use of a high-potential (hipot) test only. Typically, this isolation is defined as the use of insulated wire in the construction of the transformer as the primary isolation barrier. The hipot one-second duration test (dielectric voltage, withstand test) is a production test used to verify that the isolation barrier is functioning. Products with operational isolation should never be used as an element in a safety-isolation system.

7.3.1.2 Basic or Enhanced Isolation

Basic or enhanced isolation is defined by specified creepage and clearance limits between the primary and secondary circuits of the power supply. Basic isolation is the use of an isolation barrier in addition to the insulated wire in the construction of the transformer. Input and output circuits must also be physically separated by specified distances.

7.3.1.3 Continuous Voltage

For a device that has no specific safety agency approvals (operational isolation), the continuous voltage that can be applied across the part in normal operation is less than 42.4 V_{RMS}, or 60 V_{DC}. Ensure that both input and output voltages maintain normal SELV limits. The isolation test voltage represents a measure of immunity to transient voltages.

WARNING

Do not use the device as an element of a safety isolation system that exceeds the SELV limit.

If the device is expected to function correctly with more than 42.4 V_{RMS} or 60 V_{DC} applied continuously across the isolation barrier, then the circuitry on both sides of the barrier must be regarded as operating at an unsafe voltage, and further isolation or insulation systems must form a barrier between these circuits and any user-accessible circuitry according to safety standard requirements.

7.3.1.4 Isolation Voltage

The terms *Hipot test*, *flash-tested*, *withstand voltage*, *proof voltage*, *dielectric withstand voltage*, and *isolation test voltage* all describe the same spec. The terms describe a test voltage applied for a specified time across a component designed to provide electrical isolation to verify the integrity of that isolation. TI's DCPA1 series of dc-dc converters are all 100% production tested at 1.5 kV_{AC} for one second.

7.3.1.5 Repeated High-Voltage Isolation Testing

Repeated high-voltage isolation testing of a barrier component can degrade the isolation capability, depending on materials, construction, and environment. The DCPA1 series of dc-dc converters have toroidal, enameled, wire isolation transformers with no additional insulation between the primary and secondary windings. While a device can be expected to withstand several times the stated test voltage, the isolation capability depends on the wire insulation. Any material, including this enamel (typically polyurethane), is susceptible to eventual chemical degradation when subject to very-high applied voltages. Therefore, strictly limit the number of high-voltage tests and repeated high-voltage isolation testing. However, if it is absolutely required, reduce the voltage by 20% from specified test voltage with a duration limit of one second per test.

Feature Description (接下页)

7.3.2 Power Stage

The DCPA1 series of devices uses a push-pull, center-tapped topology. The DCPA1 devices switch at 425 kHz (divide-by-2 from an 850-kHz oscillator).

7.3.3 Input and Output Capacitors

For all DCPA1 designs, a minimum 2.2- μ F, low-ESR, ceramic input capacitor is required. Place the input capacitor as close as possible to the device input pins, $+V_S$ and $-V_S$, to ensure good startup performance.

The recommended typical output capacitance for each output of any DCPA1 device is 1.0- μ F of low-ESR, ceramic capacitance. Adding additional output capacitance will aid in ripple reduction, however, any additional capacitance will also require additional input current at start-up.

7.3.4 Oscillator And Watchdog Circuit

The onboard, 850-kHz oscillator generates the switching frequency via a divide-by-2 circuit. The oscillator can be synchronized to an external source, and is used to minimize system noise. A watchdog circuit checks the operation of the oscillator circuit.

7.3.5 Synchronization

When more than one DC/DC converter is needed onboard, beat frequencies and other electrical interference can be generated. This interference occurs because of the small variations in switching frequencies between the DC/DC converters.

The DCPA1 series of devices overcomes this interference by allowing devices to synchronize to an external clock. The $SYNC_{IN}$ pin responds to the rising edge of the external clock. If the external clock is removed, the DCPA1 will return to the frequency of the internal oscillator. If unused, it is recommended to connect this pin to the input side common, $-V_S$.

7.3.6 SW_{OUT}

The SW_{OUT} pin is directly connected to one winding of the transformer secondary prior to the output rectifier. It is not recommended to pull current from this pin. Do not connect capacitance directly to this pin as it will degrade performance. The SW_{OUT} pin is not compatible with the $SYNC_{IN}$ pin, therefore these two pins should not be connected together.

7.3.7 Soft Start

The DCPA1 series of devices includes a soft-start feature that prevents high in-rush current during power up. Once input power is applied, there is a delay of typically 10 ms before the output voltage begins to rise. Once the output voltage begins to rise, the soft start time is typically 5 ms.

7.3.8 Load Regulation

The load regulation of the DCPA1 series of devices is specified at 10% to 100% load. Operation below 10% load may cause the output voltage to increase up to 40% higher than the typical output voltage. Placing a minimum 10% load will ensure the output voltage is within the range specified in the [Electrical Characteristics](#) table.

Feature Description (接下页)

7.3.9 Thermal Performance

The DCPA1 family of devices have been characterized to operate over an ambient temperature range of -40°C to $+100^{\circ}\text{C}$. The Safe Operating Area curve shown below in [图 33](#), represents the operating conditions of the DCPA1 devices where the maximum thermal ratings will not be exceeded. [图 33](#) shows that all DCPA1 devices can safely operate over the full ambient temperature range, without airflow, to the full current rating of the device.

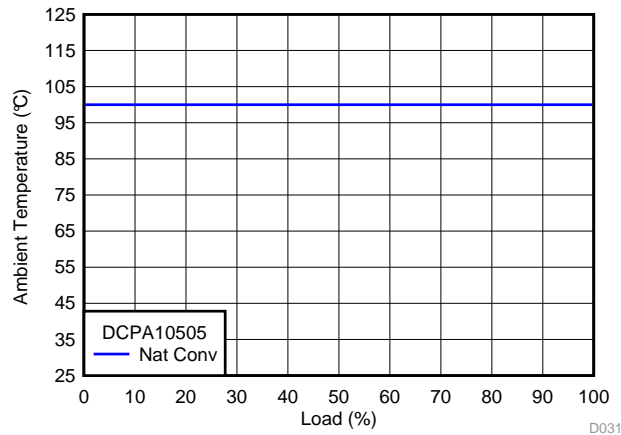


图 33. Thermal Safe Operating Area

7.3.9.1 Thermal Protection

The DCPA1 series of devices are protected by a thermal-shutdown circuit.

If the on-chip temperature rises above 150°C , the device shuts down. Normal operation resumes as soon as the temperature falls below 150°C . While the overtemperature condition continues, operation randomly cycles on and off. This cycling continues until the temperature is reduced.

7.3.10 Current Limit

For protection against a short circuit on the output, the DCPA1 series of devices have a built in current limit protection threshold of 1.75A (typical). These devices are not intended to be used at output currents greater than the device's output current rating as shown in the [Electrical Characteristics](#) table. Operating at currents greater than the device's current rating, but less than current limit threshold will cause excessive stress to the internal components. For protection against a partial short circuit condition, an input fuse or output fuse is recommended.

7.3.11 Construction

The basic construction of the DCPA1 series of devices is the same as standard integrated circuits. The molded package contains no substrate. The DCPA1 series of devices are constructed using an IC, rectifier diodes, and a wound magnetic toroid on a leadframe. Because the package contains no solder, the devices do not require any special printed circuit board (PCB) assembly processing. This architecture results in an isolated DC/DC converter with inherently high reliability.

8 Application and Implementation

注

Information in the following applications sections is not part of the TI component specification, and TI does not warrant its accuracy or completeness. TI's customers are responsible for determining suitability of components for their purposes. Customers should validate and test their design implementation to confirm system functionality.

8.1 Application Information

8.1.1 Ripple Reduction

The high switching frequency of 425 kHz allows simple filtering. To reduce output voltage ripple, it is recommended that a minimum of 1- μ F capacitor be used on the + V_{OUT} pin. For dual output devices, decouple both of the outputs to the COM pin. The required 2.2- μ F, low ESR ceramic input capacitor also helps to reduce ripple and noise. See *DC-to-DC Converter Noise Reduction* (SBVA012).

8.1.2 Connecting the DCPA1 in Series

Multiple DCPA1 isolated 1-W DC/DC converters can be connected in series to provide non-standard voltage rails. This configuration is possible by using the floating outputs provided by the galvanic isolation of the DCPA1 devices by connecting the + V_{OUT} from one DCPA1 to the - V_{OUT} of another as shown in 图 34. The synchronization feature allows easy synchronization to prevent power-rail beat frequencies at no additional filtering cost.

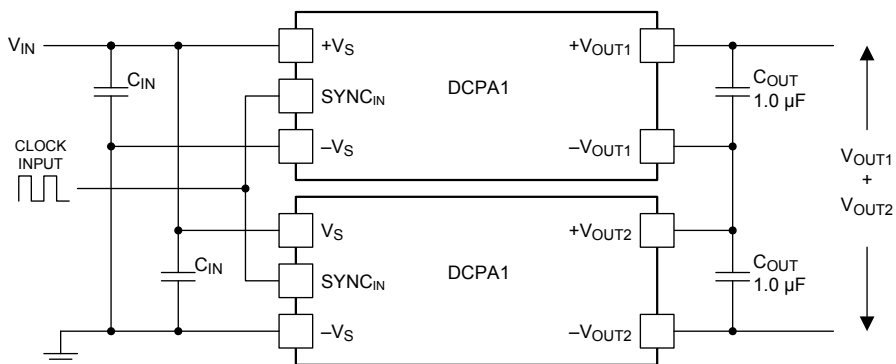


图 34. Multiple DCPA1 Devices Connected in Series

The outputs of a dual-output DCPA1 device can also be connected in series to provide two times the magnitude of + V_{OUT} , as shown in 图 35. For example, connect a dual-output, ± 15 -V, DCPA10515D device to provide a 30-V rail.

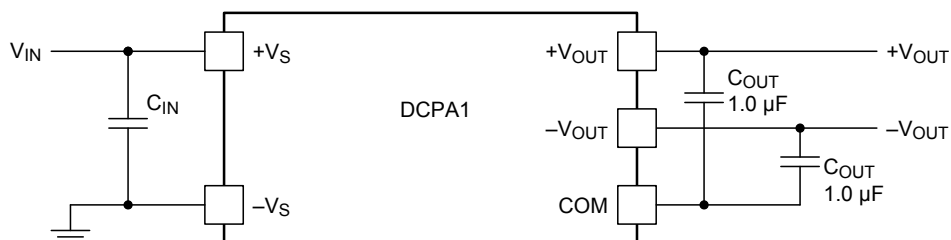


图 35. Dual Output Devices Connected in Series

8.1.3 Connecting the DCPA1 in Parallel

If the output power from one DCPA1 is not sufficient, it is possible to parallel the outputs of multiple DCPA1s, as shown in 图 36, (applies to single output devices only). The synchronization feature allows easy synchronization to prevent power-rail beat frequencies at no additional filtering cost.

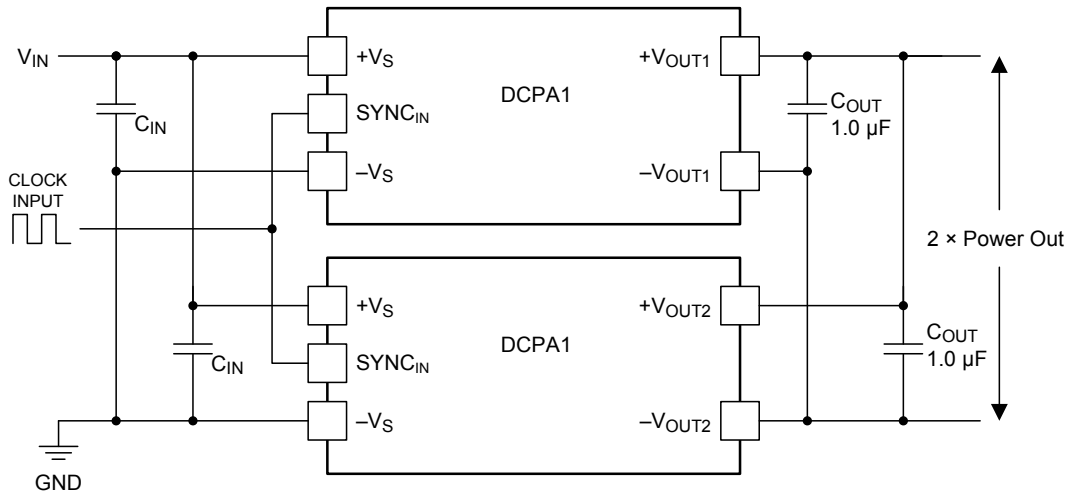


图 36. Multiple DCPA1 Devices Connected in Parallel

8.2 Typical Application

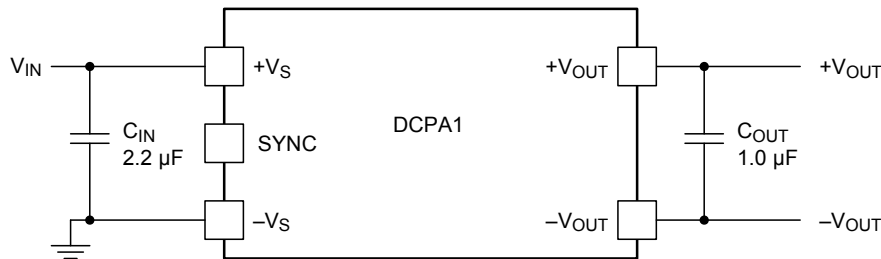


图 37. Typical DCPA10505 Application

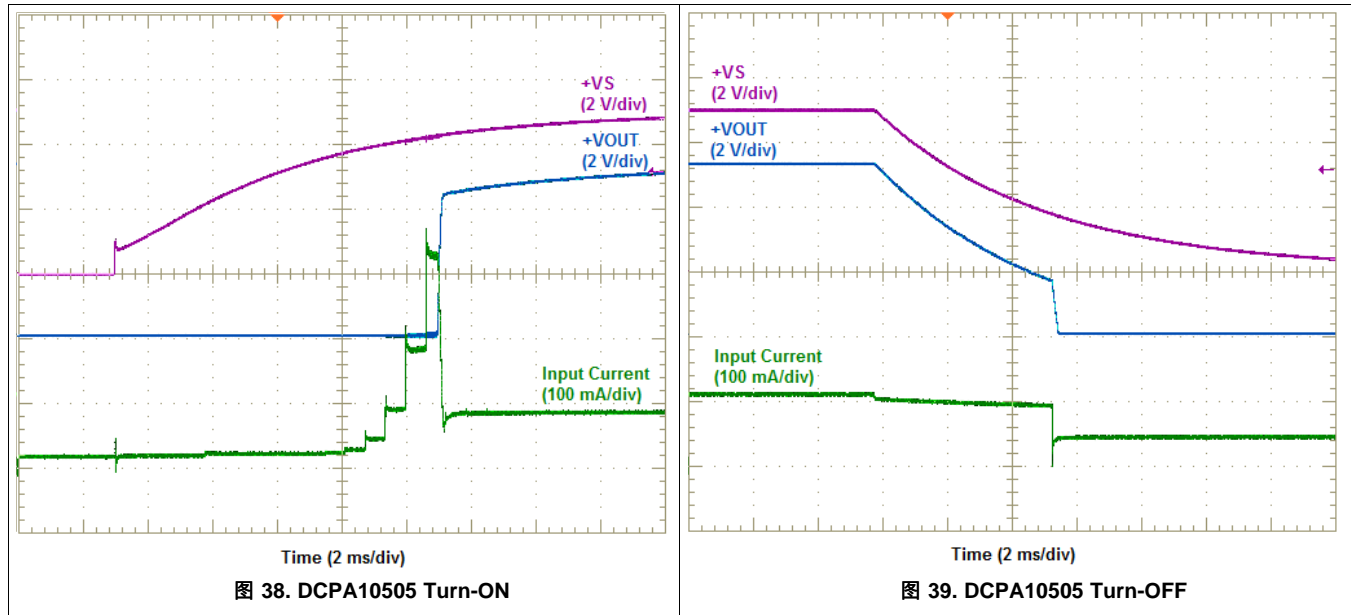
8.2.1 Design Requirements

For this design example, use the parameters listed in 表 1 and follow the design procedures shown in [Detailed Design Procedure](#) section.

表 1. Design Example Parameters

PARAMETER		VALUE	UNIT
$V_{(+VS)}$	Input voltage	5	V
$V_{(+VOUT)}$	Output voltage	5	V
I_{OUT}	Output current rating	200	mA
f_{SW}	Operating frequency	425	kHz

8.2.2 DCPA10505 Application Curves



8.2.3 Detailed Design Procedure

8.2.3.1 Input Capacitor

For all DCPA1, 5-V input voltage designs, select a 2.2- μ F low-ESR ceramic input capacitor to ensure a good startup performance.

8.2.3.2 Output Capacitor

For any DCPA1 design, select a 1.0- μ F low-ESR ceramic output capacitor to reduce output ripple.

8.2.3.3 SYNC_{IN} Pin

In a stand-alone application, it is recommended to connect this pin to the input side common, $-V_S$.

8.2.4 PCB Design

The copper losses (resistance and inductance) can be minimized by the use of mutual ground and power planes where possible. If that is not possible, use wide traces to reduce the losses. If several devices are being powered from a common power source, a star-connected system for the traces must be deployed. Do not connect the devices in series, because that type of connection cascades the resistive losses. The position of the decoupling capacitors is important. They must be as close to the devices as possible in order to reduce losses. See the [PCB Layout](#) section for more details.

9 Power Supply Recommendations

The DCPA1 is a switching power supply, and as such can place high peak current demands on the input supply. In order to avoid the supply falling momentarily during the fast switching pulses, ground and power planes should be used to connect the power to the input of DCPA1 device. If this connection is not possible, then the supplies must be connected in a star formation with the traces made as wide as possible.

10 Layout

10.1 Layout Guidelines

Due to the high power density of these devices, provide ground planes on the input and output rails.

Figure 40 shows the schematic for a single output DCPA1 device. Figure 40 illustrates a printed circuit board (PCB) layout for the schematics.

Including input power and ground planes provides a low-impedance path for the input power. For the output, the COM signal connects via a ground plane, while the connections for the positive and negative voltage outputs conduct via wide traces in order to minimize losses.

The output should be taken from the device using ground and power planes, thereby ensuring minimum losses.

The location of the decoupling capacitors in close proximity to their respective pins ensures low losses due to the effects of stray inductance, thus improving the ripple performance. This location is of particular importance to the input decoupling capacitor, because this capacitor supplies the transient current associated with the fast switching waveforms of the power drive circuits.

If the SYNC_{IN} pin is unused, it is recommended to connect this pin to the input side common, $-V_S$. Allow the SW_{OUT} pin, to remain configured as a floating pad.

10.2 Layout Example

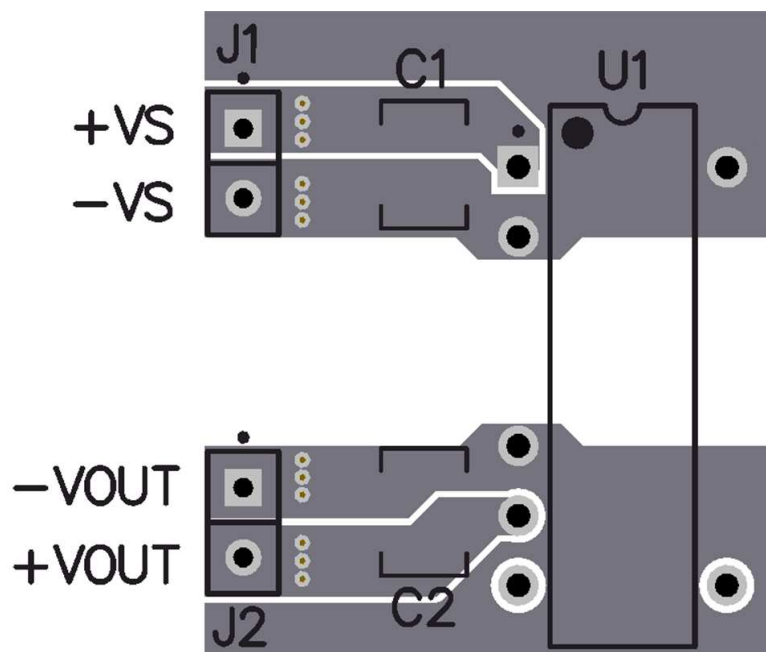


图 40. Typical Layout

11 器件和文档支持

11.1 器件支持

11.1.1 器件命名规则

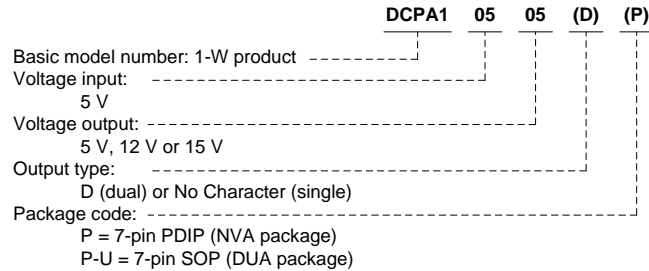


图 41. 补充订购信息

11.2 文档支持

11.2.1 相关文档

直流到直流转换器降噪 (SBVA012)

DCP01/02 系列直流/直流转换器的外部同步 (SBAA035)

优化 DCP01/02 系列直流/直流转换器的性能 (SBVA013)

11.3 社区资源

The following links connect to TI community resources. Linked contents are provided "AS IS" by the respective contributors. They do not constitute TI specifications and do not necessarily reflect TI's views; see TI's [Terms of Use](#).

TI E2E™ Online Community *TI's Engineer-to-Engineer (E2E) Community*. Created to foster collaboration among engineers. At e2e.ti.com, you can ask questions, share knowledge, explore ideas and help solve problems with fellow engineers.

Design Support *TI's Design Support* Quickly find helpful E2E forums along with design support tools and contact information for technical support.

11.4 相关链接

以下表格列出了快速访问链接。范围包括技术文档、支持与社区资源、工具和软件，并且可以快速访问样片或购买链接。

表 2. 相关链接

器件	产品文件夹	样片与购买	技术文档	工具与软件	支持与社区
DCPA10505	请单击此处	请单击此处	请单击此处	请单击此处	请单击此处
DCPA10505D	请单击此处	请单击此处	请单击此处	请单击此处	请单击此处
DCPA10512	请单击此处	请单击此处	请单击此处	请单击此处	请单击此处
DCPA10512D	请单击此处	请单击此处	请单击此处	请单击此处	请单击此处
DCPA10515	请单击此处	请单击此处	请单击此处	请单击此处	请单击此处
DCPA10515D	请单击此处	请单击此处	请单击此处	请单击此处	请单击此处

11.5 商标

E2E is a trademark of Texas Instruments.

Underwriters Laboratories, UL are trademarks of UL LLC.

All other trademarks are the property of their respective owners.

11.6 静电放电警告



这些装置包含有限的内置 ESD 保护。存储或装卸时，应将导线一起截短或将装置放置于导电泡棉中，以防止 MOS 门极遭受静电损伤。

11.7 Glossary

[SLYZ022](#) — *TI Glossary*.

This glossary lists and explains terms, acronyms, and definitions.

12 机械、封装和可订购信息

以下页中包括机械、封装和可订购信息。这些信息是针对指定器件可提供的最新数据。这些数据会在无通知且不对本文档进行修订的情况下发生改变。欲获得该数据表的浏览器版本，请查阅左侧的导航栏。

PACKAGING INFORMATION

Orderable Device	Status (1)	Package Type	Package Drawing	Pins	Package Qty	Eco Plan (2)	Lead/Ball Finish (6)	MSL Peak Temp (3)	Op Temp (°C)	Device Marking (4/5)	Samples
DCPA10505DP	ACTIVE	PDIP	NVA	7	25	Pb-Free (RoHS)	CU NIPDAU	N / A for Pkg Type	-40 to 100	DCPA10505DP	Samples
DCPA10505DP-U/700	ACTIVE	SOP	DUA	7	700	Pb-Free (RoHS)	CU NIPDAU	Level-3-260C-168 HR	-40 to 100	DCPA10505DP-U	Samples
DCPA10505P	ACTIVE	PDIP	NVA	7	25	Pb-Free (RoHS)	CU NIPDAU	N / A for Pkg Type	-40 to 100	DCPA10505P	Samples
DCPA10505P-U/700	ACTIVE	SOP	DUA	7	700	Pb-Free (RoHS)	CU NIPDAU	Level-3-260C-168 HR	-40 to 100	DCPA10505P-U	Samples
DCPA10512DP	ACTIVE	PDIP	NVA	7	25	Pb-Free (RoHS)	CU NIPDAU	N / A for Pkg Type	-40 to 100	DCPA10512DP	Samples
DCPA10512DP-U/700	ACTIVE	SOP	DUA	7	700	Pb-Free (RoHS)	CU NIPDAU	Level-3-260C-168 HR	-40 to 100	DCPA10512DP-U	Samples
DCPA10512P	ACTIVE	PDIP	NVA	7	25	Pb-Free (RoHS)	CU NIPDAU	N / A for Pkg Type	-40 to 100	DCPA10512P	Samples
DCPA10512P-U/700	ACTIVE	SOP	DUA	7	700	Pb-Free (RoHS)	CU NIPDAU	Level-3-260C-168 HR	-40 to 100	DCPA10512P-U	Samples
DCPA10515DP	ACTIVE	PDIP	NVA	7	25	Pb-Free (RoHS)	CU NIPDAU	N / A for Pkg Type	-40 to 100	DCPA10515DP	Samples
DCPA10515DP-U/700	ACTIVE	SOP	DUA	7	700	Pb-Free (RoHS)	CU NIPDAU	Level-3-260C-168 HR	-40 to 100	DCPA10515DP-U	Samples
DCPA10515P	ACTIVE	PDIP	NVA	7	25	Pb-Free (RoHS)	CU NIPDAU	N / A for Pkg Type	-40 to 100	DCPA10515P	Samples
DCPA10515P-U/700	ACTIVE	SOP	DUA	7	700	Pb-Free (RoHS)	CU NIPDAU	Level-3-260C-168 HR	-40 to 100	DCPA10515P-U	Samples

(1) The marketing status values are defined as follows:

ACTIVE: Product device recommended for new designs.

LIFEBUY: TI has announced that the device will be discontinued, and a lifetime-buy period is in effect.

NRND: Not recommended for new designs. Device is in production to support existing customers, but TI does not recommend using this part in a new design.

PREVIEW: Device has been announced but is not in production. Samples may or may not be available.

OBSOLETE: TI has discontinued the production of the device.

(2) **RoHS:** TI defines "RoHS" to mean semiconductor products that are compliant with the current EU RoHS requirements for all 10 RoHS substances, including the requirement that RoHS substance do not exceed 0.1% by weight in homogeneous materials. Where designed to be soldered at high temperatures, "RoHS" products are suitable for use in specified lead-free processes. TI may reference these types of products as "Pb-Free".

RoHS Exempt: TI defines "RoHS Exempt" to mean products that contain lead but are compliant with EU RoHS pursuant to a specific EU RoHS exemption.

Green: TI defines "Green" to mean the content of Chlorine (Cl) and Bromine (Br) based flame retardants meet JS709B low halogen requirements of ≤ 1000 ppm threshold. Antimony trioxide based flame retardants must also meet the ≤ 1000 ppm threshold requirement.

(3) MSL, Peak Temp. - The Moisture Sensitivity Level rating according to the JEDEC industry standard classifications, and peak solder temperature.

(4) There may be additional marking, which relates to the logo, the lot trace code information, or the environmental category on the device.

(5) Multiple Device Markings will be inside parentheses. Only one Device Marking contained in parentheses and separated by a "~" will appear on a device. If a line is indented then it is a continuation of the previous line and the two combined represent the entire Device Marking for that device.

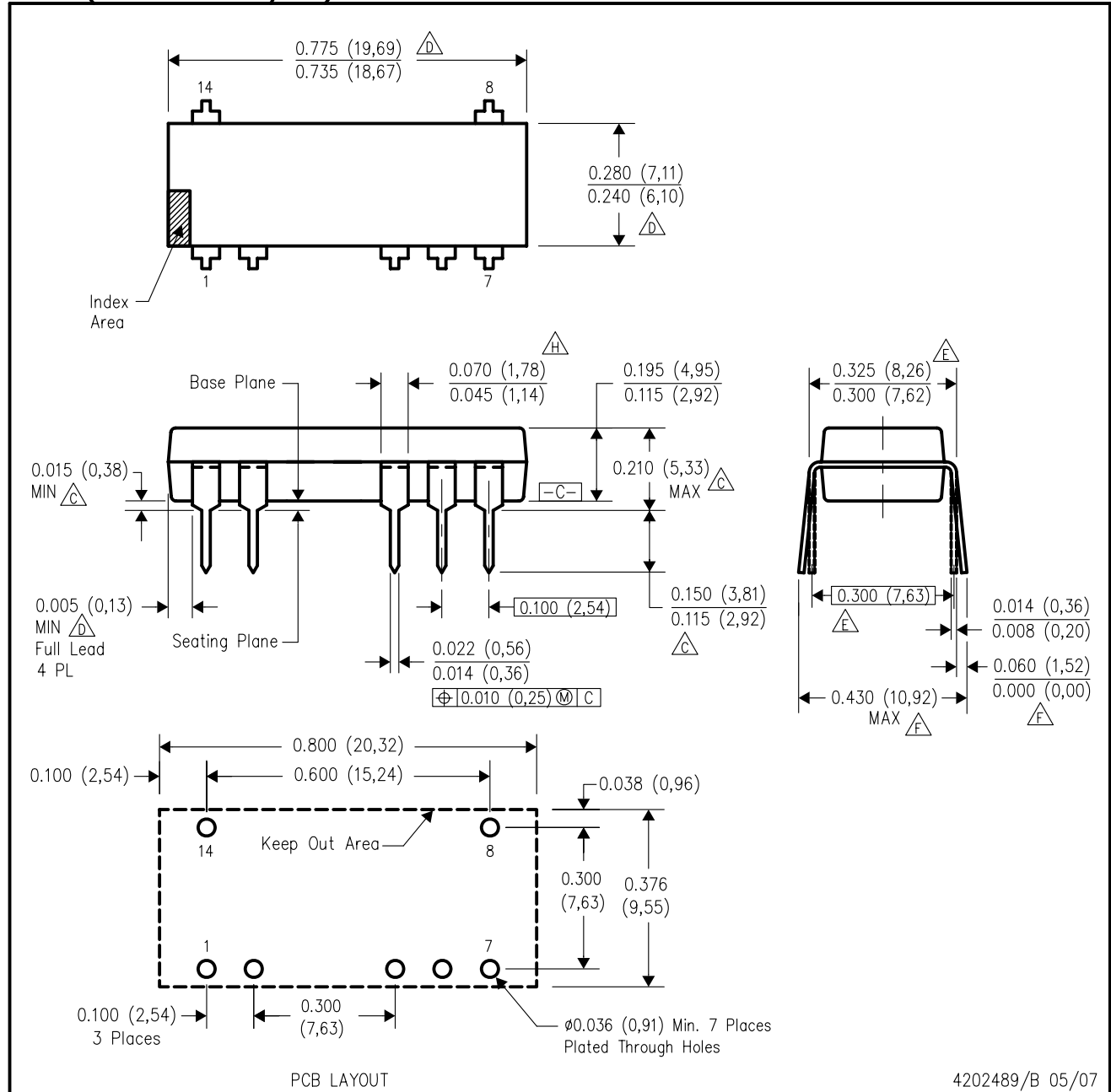
(6) Lead/Ball Finish - Orderable Devices may have multiple material finish options. Finish options are separated by a vertical ruled line. Lead/Ball Finish values may wrap to two lines if the finish value exceeds the maximum column width.

Important Information and Disclaimer: The information provided on this page represents TI's knowledge and belief as of the date that it is provided. TI bases its knowledge and belief on information provided by third parties, and makes no representation or warranty as to the accuracy of such information. Efforts are underway to better integrate information from third parties. TI has taken and continues to take reasonable steps to provide representative and accurate information but may not have conducted destructive testing or chemical analysis on incoming materials and chemicals. TI and TI suppliers consider certain information to be proprietary, and thus CAS numbers and other limited information may not be available for release.

In no event shall TI's liability arising out of such information exceed the total purchase price of the TI part(s) at issue in this document sold by TI to Customer on an annual basis.

NVA (R-PDIP-T7/14)

PLASTIC DUAL-IN-LINE

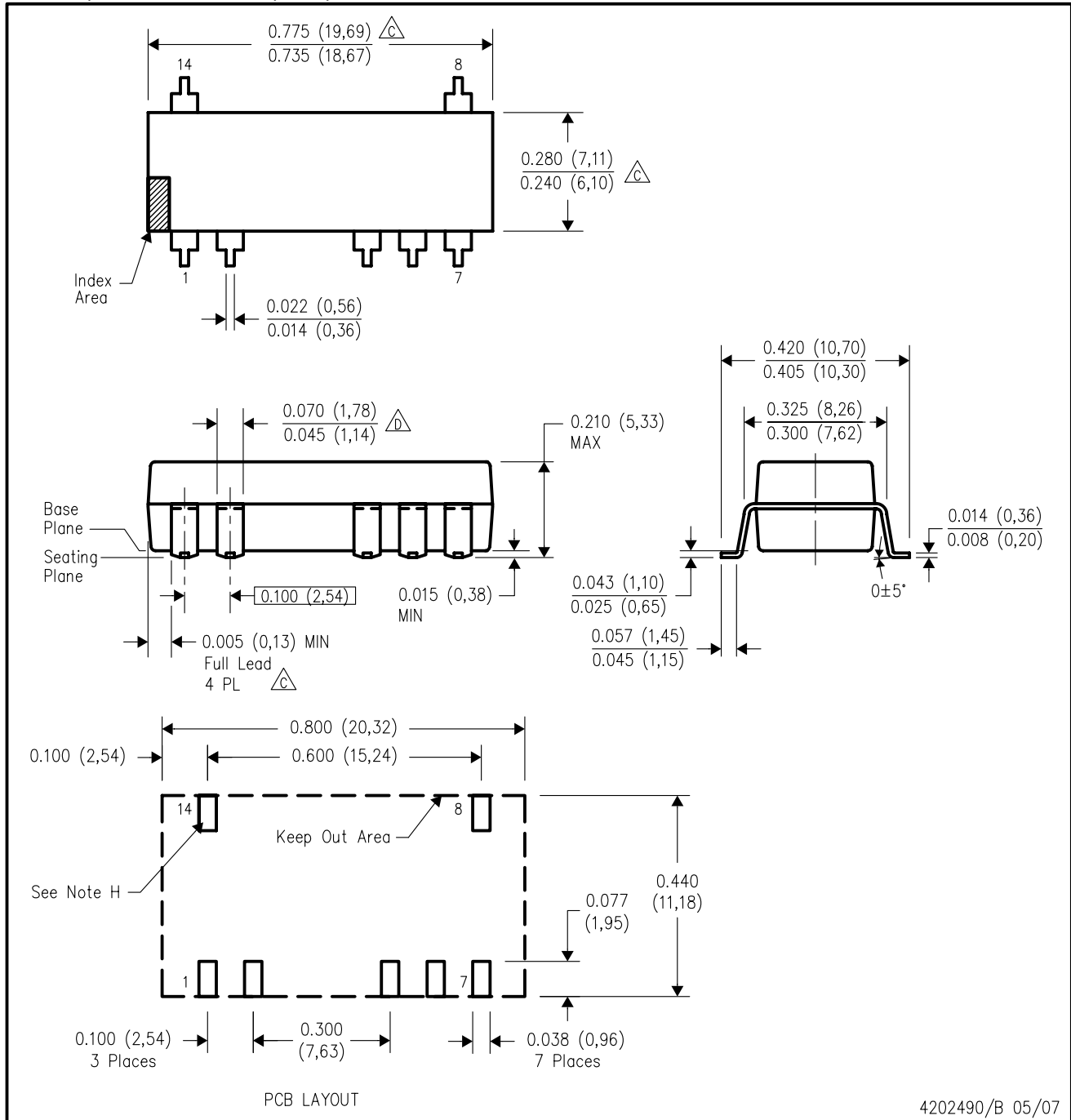


4202489/B 05/07

- NOTES:
- A. All linear dimensions are in inches (millimeters).
 - B. This drawing is subject to change without notice.
 - \triangle Dimensions are measured with the package seated in JEDEC seating plane gauge GS-3.
 - \triangle Dimensions do not include mold flash or protrusions. Mold flash or protrusions shall not exceed 0.010 (0,25).
 - \triangle Dimensions measured with the leads constrained to be perpendicular to Datum C.
 - \triangle Dimensions are measured at the lead tips with the leads unconstrained.
 - G. Pointed or rounded lead tips are preferred to ease insertion.
 - \triangle Lead shoulder maximum dimension does not include dambar protrusions. Dambar protrusions shall not exceed 0.010 (0,25).
 - I. Distance between leads including dambar protrusions to be 0.005 (0,13) minimum.
 - J. A visual index feature must be located within the cross-hatched area.
 - K. For automatic insertion, any raised irregularity on the top surface (step, mesa, etc.) shall be symmetrical about the lateral and longitudinal package centerlines.
 - L. Falls within JEDEC MS-001-AA.

DUA (R-PDSO-G7/14)

PLASTIC SMALL-OUTLINE



4202490/B 05/07

- NOTES:
- A. All linear dimensions are in inches (millimeters).
 - B. This drawing is subject to change without notice.
 - C. Dimensions do not include mold flash or protrusions. Mold flash or protrusions shall not exceed 0.010 (0,25).
 - D. Lead shoulder maximum dimension does not include dambar protrusions. Dambar protrusions shall not exceed 0.010 (0,25).
 - E. Distance between leads including dambar protrusions to be 0.005 (0,13) minimum.
 - F. A visual index feature must be located within the cross-hatched area.
 - G. For automatic insertion, any raised irregularity on the top surface (step, mesa, etc.) shall be symmetrical about the lateral and longitudinal package centerlines.
 - H. Power pin connections should be two or more vias per input, ground and output pin.

重要声明

德州仪器 (TI) 公司有权按照最新发布的 JESD46 对其半导体产品和服务进行纠正、增强、改进和其他修改，并不再按最新发布的 JESD48 提供任何产品和服务。买方在下订单前应获取最新的相关信息，并验证这些信息是否完整且是最新的。

TI 公布的半导体产品销售条款 (<http://www.ti.com/sc/docs/stdterms.htm>) 适用于 TI 已认证和批准上市的已封装集成电路产品的销售。另有其他条款可能适用于其他类型 TI 产品及服务的使用或销售。

复制 TI 数据表上 TI 信息的重要部分时，不得变更该等信息，且必须随附所有相关保证、条件、限制和通知，否则不得复制。TI 对该等复制文件不承担任何责任。第三方信息可能受到其它限制条件的制约。在转售 TI 产品或服务时，如果存在对产品或服务参数的虚假陈述，则会失去相关 TI 产品或服务的明示或暗示保证，且构成不公平的、欺诈性商业行为。TI 对此类虚假陈述不承担任何责任。

买方和在系统中整合 TI 产品的其他开发人员（总称“设计人员”）理解并同意，设计人员在设计应用时应自行实施独立的分析、评价和判断，且应全权负责并确保应用的安全性，及设计人员的应用（包括应用中使用的 TI 产品）应符合所有适用的法律法规及其他相关要求。设计人员就自己设计的应用声明，其具备制订和实施下列保障措施所需的一切必要专业知识，能够 (1) 预见故障的危险后果，(2) 监视故障及其后果，以及 (3) 降低可能导致危险的故障几率并采取适当措施。设计人员同意，在使用或分发包含 TI 产品的任何应用前，将彻底测试该等应用和该等应用中所用 TI 产品的功能。

TI 提供技术、应用或其他设计建议、质量特点、可靠性数据或其他服务或信息，包括但不限于与评估模块有关的参考设计和材料（总称“TI 资源”），旨在帮助设计人员开发整合了 TI 产品的应用，如果设计人员（个人，或如果是代表公司，则为设计人员的公司）以任何方式下载、访问或使用任何特定的 TI 资源，即表示其同意仅为该等目标，按照本通知的条款使用任何特定 TI 资源。

TI 所提供的 TI 资源，并未扩大或以其他方式修改 TI 对 TI 产品的公开适用的质保及质保免责声明；也未导致 TI 承担任何额外的义务或责任。TI 有权对其 TI 资源进行纠正、增强、改进和其他修改。除特定 TI 资源的公开文档中明确列出的测试外，TI 未进行任何其他测试。

设计人员只有在开发包含该等 TI 资源所列 TI 产品的应用时，才被授权使用、复制和修改任何相关 TI 资源。但并未依据禁止反言原则或其他法律授予您任何 TI 知识产权的任何其他明示或默示的许可，也未授予您 TI 或第三方的任何技术或知识产权的许可，该等许可包括但不限于任何专利权、版权、屏蔽作品权或与美国 TI 产品或服务的任何整合、机器制作、流程相关的其他知识产权。涉及或参考了第三方产品或服务的信息不构成使用此类产品或服务的许可或与其相关的保证或认可。使用 TI 资源可能需要您向第三方获得对该等第三方专利或其他知识产权的许可。

TI 资源系“按原样”提供。TI 兹免除对资源及其使用作出所有其他明确或默示的保证或陈述，包括但不限于对准确性或完整性、产权保证、无屡发故障保证，以及适销性、适合特定用途和不侵犯任何第三方知识产权的任何默认保证。TI 不负责任何申索，包括但不限于因组合产品所致或与之有关的申索，也不为或对设计人员进行辩护或赔偿，即使该等产品组合已列于 TI 资源或其他地方。对因 TI 资源或其使用引起或与之有关的任何实际的、直接的、特殊的、附带的、间接的、惩罚性的、偶发的、从属或惩戒性损害赔偿，不管 TI 是否获悉可能会产生上述损害赔偿，TI 概不负责。

除 TI 已明确指出特定产品已达到特定行业标准（例如 ISO/TS 16949 和 ISO 26262）的要求外，TI 不对未达到任何该等行业标准要求而承担任何责任。

如果 TI 明确宣称产品有助于功能安全或符合行业功能安全标准，则该等产品旨在帮助客户设计和创作自己的符合相关功能安全标准和要求的的应用。在应用内使用产品的行为本身不会配有安全特性。设计人员必须确保遵守适用于其应用的相关安全要求和标准。设计人员不可将任何 TI 产品用于关乎性命的医疗设备，除非已由各方获得授权的管理人员签署专门的合同对此类应用专门作出规定。关乎性命的医疗设备是指出现故障会导致严重身体伤害或死亡的医疗设备（例如生命保障设备、心脏起搏器、心脏除颤器、人工心脏泵、神经刺激器以及植入设备）。此类设备包括但不限于，美国食品药品监督管理局认定为 III 类设备的设备，以及在美国以外的其他国家或地区认定为同等类别设备的所有医疗设备。

TI 可能明确指定某些产品具备某些特定资格（例如 Q100、军用级或增强型产品）。设计人员同意，其具备一切必要专业知识，可以为自己的应用选择适合的产品，并且正确选择产品的风险由设计人员承担。设计人员单方面负责遵守与该等选择有关的所有法律或监管要求。

设计人员同意向 TI 及其代表全额赔偿因其不遵守本通知条款和条件而引起的任何损害、费用、损失和/或责任。

邮寄地址：上海市浦东新区世纪大道 1568 号中建大厦 32 楼，邮政编码：200122
Copyright © 2017 德州仪器半导体技术（上海）有限公司