

ADS1018-Q1 具有内部基准和温度传感器的汽车类、低功耗、兼容 SPI™ 的 12 位模数转换器

1 特性

- 符合汽车类应用标准
- 具有符合 AEC-Q100 的下列结果：
 - 温度等级 1: -40°C 至 +125°C
 - 人体放电模式 (HBM) 静电放电 (ESD) 分类等级 2
 - 组件充电模式 (CDM) ESD 分类等级 C6
- 12 位无噪声分辨率
- 宽电源电压范围: 2V 至 5.5V
- 低功耗：
 - 连续模式时: 只有 150μA
 - 单次模式: 自动断电
- 可编程数据传输速率范围: 128SPS 至 3300SPS
- 单周期稳定
- 内部低漂移电压基准
- 内部温度传感器: 2°C 误差 (最大值)
- 内部振荡器
- 内部可编程增益放大器 (PGA)
- 四个单端或两个差分输入

2 应用

- 电池管理系统
- 车用传感器
 - 热电偶
 - 电阻式温度检测器 (RTD)
 - 电化学气体传感器
 - 颗粒物传感器

3 说明

ADS1018-Q1 是一款精密的低功耗 12 位无噪声模数转换器 (ADC)，其具备测量最常见传感器信号所需的全部功能。ADS1018-Q1 集成了可编程增益放大器 (PGA)、电压基准、振荡器以及高精度温度传感器。凭借这些功能以及 2V 至 5.5V 的宽电源电压范围，ADS1018-Q1 非常适用于功率及空间受限型传感器测量应用。

ADS1018-Q1 以高达 3300 次/秒 (SPS) 的采样数据传输速率进行转换。PGA 的输入范围为 $\pm 256\text{mV}$ 至 $\pm 6.144\text{V}$ ，支持以高分辨率测量大信号和小信号。该器件通过输入复用器 (MUX) 测量双路差分输入或四路单端输入。高精度温度传感器用于监控系统级温度或对热电偶进行冷结点补偿。

ADS1018-Q1 可选择以连续转换模式或单次模式运行。该器件在单次模式下完成一次转换后便会自动断电。在空闲状态下，单次模式会显著降低流耗。所有数据均通过串行外设接口 (SPI™) 进行传输。

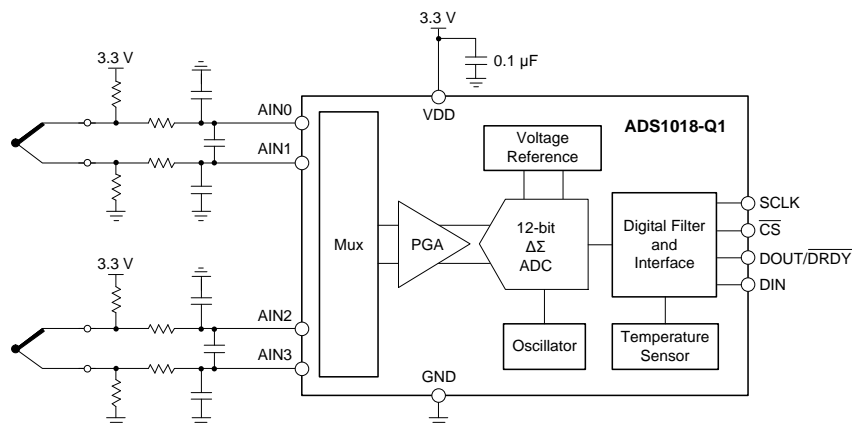
ADS1018-Q1 的额定工作温度范围 -40°C 至 +125°C。

器件信息⁽¹⁾

| 器件型号 | 封装 | 封装尺寸 (标称值) |
|------------|------------|-----------------|
| ADS1018-Q1 | VSSOP (10) | 3.00mm x 3.00mm |

(1) 要了解所有可用封装，请参见数据表末尾的封装选项附录。

K 型热电偶测量 使用集成温度传感器进行冷结点补偿



目录

| | | | | | |
|----------|---|-----------|-----------|---|-----------|
| 1 | 特性 | 1 | 8.4 | Device Functional Modes | 14 |
| 2 | 应用 | 1 | 8.5 | Programming | 15 |
| 3 | 说明 | 1 | 8.6 | Register Maps | 18 |
| 4 | 修订历史记录 | 2 | 9 | Application and Implementation | 20 |
| 5 | Device Comparison Table | 3 | 9.1 | Application Information | 20 |
| 6 | Pin Configuration and Functions | 3 | 9.2 | Typical Application | 25 |
| 7 | Specifications | 4 | 10 | Power-Supply Recommendations | 28 |
| 7.1 | Absolute Maximum Ratings | 4 | 10.1 | Power-Supply Sequencing | 28 |
| 7.2 | ESD Ratings | 4 | 10.2 | Power-Supply Decoupling | 28 |
| 7.3 | Recommended Operating Conditions | 4 | 11 | Layout | 29 |
| 7.4 | Thermal Information | 4 | 11.1 | Layout Guidelines | 29 |
| 7.5 | Electrical Characteristics | 5 | 11.2 | Layout Example | 30 |
| 7.6 | Timing Requirements: Serial Interface | 7 | 12 | 器件和文档支持 | 31 |
| 7.7 | Switching Characteristics: Serial Interface | 7 | 12.1 | 文档支持 | 31 |
| 7.8 | Typical Characteristics | 8 | 12.2 | 社区资源 | 31 |
| 8 | Detailed Description | 9 | 12.3 | 商标 | 31 |
| 8.1 | Overview | 9 | 12.4 | 静电放电警告 | 31 |
| 8.2 | Functional Block Diagram | 9 | 12.5 | Glossary | 31 |
| 8.3 | Feature Description | 10 | 13 | 机械、封装和可订购信息 | 31 |

4 修订历史记录

Changes from Original (October 2015) to Revision A

Page

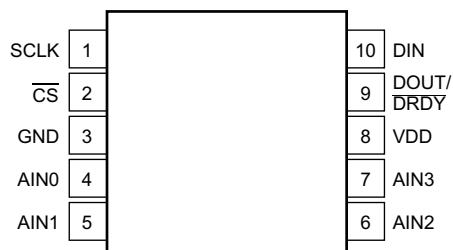
| | | |
|---|-------------------------|----------|
| • | 已从“产品预览”更改为“量产数据” | 1 |
|---|-------------------------|----------|

5 Device Comparison Table

| DEVICE | RESOLUTION (Bits) | MAXIMUM SAMPLE RATE (SPS) | INPUT CHANNELS Differential (Single-Ended) | PGA | INTERFACE | SPECIAL FEATURES |
|------------|-------------------|---------------------------|--|-----|------------------|--------------------|
| ADS1118-Q1 | 16 | 860 | 2 (4) | Yes | SPI | Temperature sensor |
| ADS1018-Q1 | 12 | 3300 | 2 (4) | Yes | SPI | Temperature sensor |
| ADS1115-Q1 | 16 | 860 | 2 (4) | Yes | I ² C | Comparator |
| ADS1015-Q1 | 12 | 3300 | 2 (4) | Yes | I ² C | Comparator |

6 Pin Configuration and Functions

**DGS Package
10-Pin VSSOP
Top View**



Pin Functions

| PIN | | TYPE | DESCRIPTION |
|-----|--------------------------------|----------------|--|
| NO. | NAME | | |
| 1 | SCLK | Digital input | Serial clock input |
| 2 | $\overline{\text{CS}}$ | Digital input | Chip select; active low. Connect to GND if not used. |
| 3 | GND | Supply | Ground |
| 4 | AIN0 | Analog input | Analog input 0. Leave unconnected or tie to VDD if not used. |
| 5 | AIN1 | Analog input | Analog input 1. Leave unconnected or tie to VDD if not used. |
| 6 | AIN2 | Analog input | Analog input 2. Leave unconnected or tie to VDD if not used. |
| 7 | AIN3 | Analog input | Analog input 3. Leave unconnected or tie to VDD if not used. |
| 8 | VDD | Supply | Power supply. Connect a 0.1- μ F power supply decoupling capacitor to GND. |
| 9 | DOUT/ $\overline{\text{DRDY}}$ | Digital output | Serial data output combined with data ready; active low |
| 10 | DIN | Digital input | Serial data input |

7 Specifications

7.1 Absolute Maximum Ratings

 over operating ambient temperature range (unless otherwise noted)⁽¹⁾

| | | MIN | MAX | UNIT |
|---------------------------|--|-----------|-----------|------|
| Power-supply voltage | VDD to GND | -0.3 | 5.5 | V |
| Analog input voltage | AIN0, AIN1, AIN2, AIN3 | GND - 0.3 | VDD + 0.3 | V |
| Digital input voltage | DIN, DOUT/ $\overline{\text{DRDY}}$, SCLK, $\overline{\text{CS}}$ | GND - 0.3 | VDD + 0.3 | V |
| Input current, continuous | Any pin except power supply pins | -10 | 10 | mA |
| Temperature | Junction, T _J | -40 | 150 | °C |
| | Storage, T _{stg} | -60 | 150 | |

- (1) Stresses beyond those listed under *Absolute Maximum Ratings* may cause permanent damage to the device. These are stress ratings only, which do not imply functional operation of the device at these or any other conditions beyond those indicated under *Recommended Operating Conditions*. Exposure to absolute-maximum-rated conditions for extended periods may affect device reliability.

7.2 ESD Ratings

| | | VALUE | UNIT |
|--|---|-------|------|
| V _(ESD) Electrostatic discharge | Human body model (HBM), per AEC Q100-002 ⁽¹⁾ | ±2000 | V |
| | Charged device model (CDM), per AEC Q100-011 | ±1000 | |

- (1) AEC Q100-002 indicates HBM stressing is done in accordance with the ANSI/ESDA/JEDEC JS-001 specification.

7.3 Recommended Operating Conditions

over operating ambient temperature range (unless otherwise noted)

| | | MIN | NOM | MAX | UNIT |
|--|---|-----------------------------|-----|-----|------|
| POWER SUPPLY | | | | | |
| VDD Power supply | VDD to GND | 2 | | 5.5 | V |
| ANALOG INPUTS⁽¹⁾ | | | | | |
| FSR Full-scale input voltage ⁽²⁾ | V _{IN} = V _(AINP) - V _(AINN) | See Table 1 | | | |
| V _(AINx) Absolute input voltage | | GND | | VDD | V |
| DIGITAL INPUTS | | | | | |
| Input voltage | | GND | | VDD | V |
| TEMPERATURE | | | | | |
| T _A Operating ambient temperature | | -40 | | 125 | °C |

- (1) AINP and AINN denote the selected positive and negative inputs. AINx denotes one of the four available analog inputs.
 (2) This parameter expresses the full-scale range of the ADC scaling. No more than VDD + 0.3 V or 5.5 V (whichever is smaller) must be applied to this device.

7.4 Thermal Information

| THERMAL METRIC ⁽¹⁾ | | ADS1018-Q1 | UNIT |
|-------------------------------|--|-------------|------|
| | | DGS (VSSOP) | |
| | | 10 PINS | |
| R _{θJA} | Junction-to-ambient thermal resistance | 186.8 | °C/W |
| R _{θJC(top)} | Junction-to-case (top) thermal resistance | 51.5 | °C/W |
| R _{θJB} | Junction-to-board thermal resistance | 108.4 | °C/W |
| Ψ _{JT} | Junction-to-top characterization parameter | 2.7 | °C/W |
| Ψ _{JB} | Junction-to-board characterization parameter | 106.5 | °C/W |
| R _{θJC(bot)} | Junction-to-case (bottom) thermal resistance | N/A | °C/W |

- (1) For more information about traditional and new thermal metrics, see the *Semiconductor and IC Package Thermal Metrics* application report, [SPRA953](#).

7.5 Electrical Characteristics

Maximum and minimum specifications apply from $T_A = -40^\circ\text{C}$ to $+125^\circ\text{C}$. Typical specifications are at $T_A = 25^\circ\text{C}$. All specifications are at $V_{DD} = 3.3\text{ V}$ and $\text{FSR} = \pm 2.048\text{ V}$ (unless otherwise noted).

| PARAMETER | TEST CONDITIONS | MIN | TYP | MAX | UNIT |
|-------------------------------|---|--|--------------------------------------|-----------|-----------------------------|
| ANALOG INPUTS | | | | | |
| Common-mode input impedance | $\text{FSR} = \pm 6.144\text{ V}^{(1)}$ | | 8 | | M Ω |
| | $\text{FSR} = \pm 4.096\text{ V}^{(1)}$, $\text{FSR} = \pm 2.048\text{ V}$ | | 6 | | |
| | $\text{FSR} = \pm 1.024\text{ V}$ | | 3 | | |
| | $\text{FSR} = \pm 0.512\text{ V}$, $\text{FSR} = \pm 0.256\text{ V}$ | | 100 | | |
| Differential input impedance | $\text{FSR} = \pm 6.144\text{ V}^{(1)}$ | | 22 | | M Ω |
| | $\text{FSR} = \pm 4.096\text{ V}^{(1)}$ | | 15 | | |
| | $\text{FSR} = \pm 2.048\text{ V}$ | | 4.9 | | |
| | $\text{FSR} = \pm 1.024\text{ V}$ | | 2.4 | | |
| | $\text{FSR} = \pm 0.512\text{ V}$, $\text{FSR} = \pm 0.256\text{ V}$ | | 710 | | k Ω |
| SYSTEM PERFORMANCE | | | | | |
| Resolution (no missing codes) | | | 12 | | Bits |
| DR | Data rate | | 128, 250, 490, 920, 1600, 2400, 3300 | | SPS |
| | Data rate variation | All data rates | -10% | 10% | |
| INL | Integral nonlinearity | $\text{DR} = 128\text{ SPS}$, $\text{FSR} = \pm 2.048\text{ V}^{(2)}$ | | 0.5 | LSB |
| | Offset error | $\text{FSR} = \pm 2.048\text{ V}$, differential inputs | 0 | ± 0.5 | LSB |
| | | $\text{FSR} = \pm 2.048\text{ V}$, single-ended inputs | ± 0.25 | | |
| | Offset drift | $\text{FSR} = \pm 2.048\text{ V}$ | 0.002 | | LSB/ $^\circ\text{C}$ |
| | Offset channel match | Match between any two inputs | 0.25 | | LSB |
| | Gain error ⁽³⁾ | $\text{FSR} = \pm 2.048\text{ V}$, $T_A = 25^\circ\text{C}$ | 0.05% | 0.25% | |
| | Gain drift ⁽³⁾⁽⁴⁾ | $\text{FSR} = \pm 0.256\text{ V}$ | 7 | | ppm/ $^\circ\text{C}$ |
| | | $\text{FSR} = \pm 2.048\text{ V}$ | 5 | 40 | |
| | | $\text{FSR} = \pm 6.144\text{ V}^{(1)}$ | 5 | | |
| | Gain match ⁽³⁾ | Match between any two gains | 0.02% | 0.1% | |
| | Gain channel match | Match between any two inputs | 0.05% | 0.1% | |
| TEMPERATURE SENSOR | | | | | |
| | Temperature range | | -40 | 125 | $^\circ\text{C}$ |
| | Temperature resolution | | 0.125 | | $^\circ\text{C}/\text{LSB}$ |
| Accuracy | $T_A = 0^\circ\text{C}$ to 70°C | | 0.25 | ± 1 | $^\circ\text{C}$ |
| | $T_A = -40^\circ\text{C}$ to $+125^\circ\text{C}$ | | 0.5 | ± 2 | |
| | vs supply | | 0.125 | ± 1 | $^\circ\text{C}/\text{V}$ |

(1) This parameter expresses the full-scale range of the ADC scaling. No more than $V_{DD} + 0.3\text{ V}$ or 5.5 V (whichever is smaller) must be applied to this device.

(2) Best-fit INL; covers 99% of full-scale.

(3) Includes all errors from onboard PGA and voltage reference.

(4) Maximum value specified by characterization.

Electrical Characteristics (continued)

Maximum and minimum specifications apply from $T_A = -40^{\circ}\text{C}$ to $+125^{\circ}\text{C}$. Typical specifications are at $T_A = 25^{\circ}\text{C}$. All specifications are at $V_{DD} = 3.3\text{ V}$ and $\text{FSR} = \pm 2.048\text{ V}$ (unless otherwise noted).

| PARAMETER | | TEST CONDITIONS | MIN | TYP | MAX | UNIT |
|-------------------------------|---------------------------|--|---------|-----|---------|---------------|
| DIGITAL INPUTS/OUTPUTS | | | | | | |
| V_{IH} | High-level input voltage | | 0.7 VDD | | VDD | V |
| V_{IL} | Low-level input voltage | | GND | | 0.2 VDD | V |
| V_{OH} | High-level output voltage | $I_{OH} = 1\text{ mA}$ | 0.8 VDD | | | V |
| V_{OL} | Low-level output voltage | $I_{OL} = 1\text{ mA}$ | GND | | 0.2 VDD | V |
| I_H | Input leakage, high | $V_{IH} = 5.5\text{ V}$ | -10 | | 10 | μA |
| I_L | Input leakage, low | $V_{IL} = \text{GND}$ | -10 | | 10 | μA |
| POWER SUPPLY | | | | | | |
| I_{VDD} | Supply current | Power-down, $T_A = 25^{\circ}\text{C}$ | | 0.5 | 2 | μA |
| | | Power-down | | | 5 | |
| | | Operating, $T_A = 25^{\circ}\text{C}$ | | 150 | 200 | |
| | | Operating | | | 300 | |
| P_D | Power dissipation | $V_{DD} = 5\text{ V}$ | | 0.9 | | mW |
| | | $V_{DD} = 3.3\text{ V}$ | | 0.5 | | |
| | | $V_{DD} = 2\text{ V}$ | | 0.3 | | |

7.6 Timing Requirements: Serial Interface

over operating ambient temperature range and VDD = 2 V to 5.5 V (unless otherwise noted)

| | | MIN | MAX | UNIT |
|------------|---|-----|-----|------|
| t_{CSSC} | Delay time, \overline{CS} falling edge to first SCLK rising edge ⁽¹⁾ | 100 | | ns |
| t_{SCCS} | Delay time, final SCLK falling edge to \overline{CS} rising edge | 100 | | ns |
| t_{CSH} | Pulse duration, \overline{CS} high | 200 | | ns |
| t_{SCLK} | SCLK period | 250 | | ns |
| t_{SPWH} | Pulse duration, SCLK high | 100 | | ns |
| t_{SPWL} | Pulse duration, SCLK low ⁽²⁾ | 100 | | ns |
| | | | 28 | ms |
| t_{DIST} | Setup time, DIN valid before SCLK falling edge | 50 | | ns |
| t_{DIHD} | Hold time, DIN valid after SCLK falling edge | 50 | | ns |
| t_{DOHD} | Hold time, SCLK rising edge to DOUT invalid | 0 | | ns |

(1) \overline{CS} can be tied low permanently in case the serial bus is not shared with any other device.

(2) Holding SCLK low longer than 28 ms resets the SPI interface.

7.7 Switching Characteristics: Serial Interface

over operating ambient temperature range (unless otherwise noted)

| PARAMETER | TEST CONDITIONS | MIN | TYP | MAX | UNIT |
|-------------|--|-----|-----|-----|------|
| t_{CSDOD} | Propagation delay time, \overline{CS} falling edge to DOUT driven | | | 100 | ns |
| t_{DOPD} | Propagation delay time, SCLK rising edge to valid new DOUT | 0 | | 50 | ns |
| t_{CSDOZ} | Propagation delay time, \overline{CS} rising edge to DOUT high impedance | | | 100 | ns |

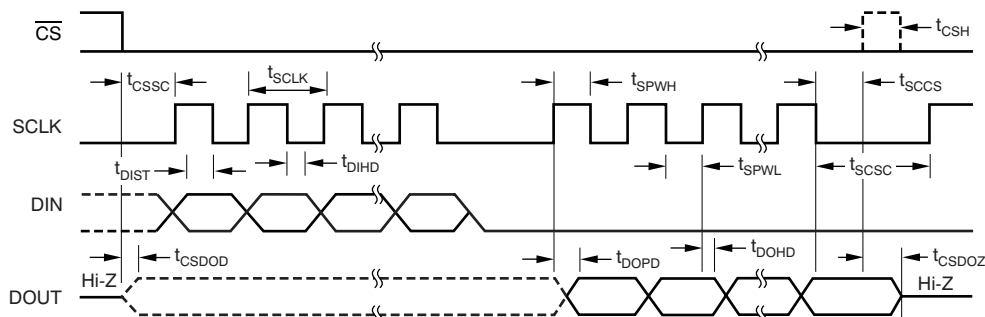
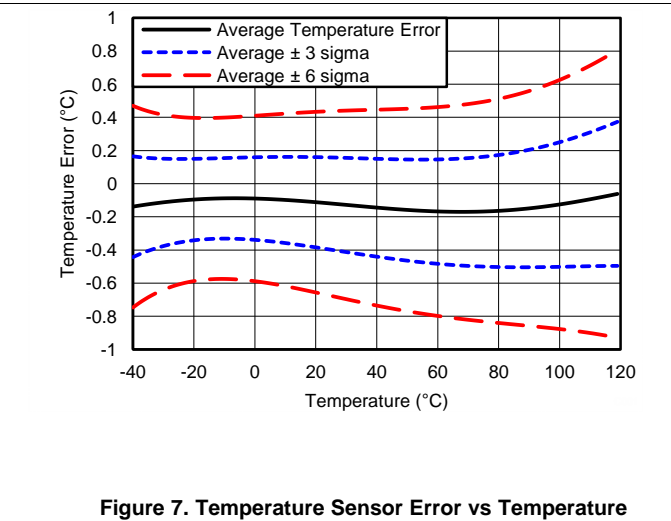
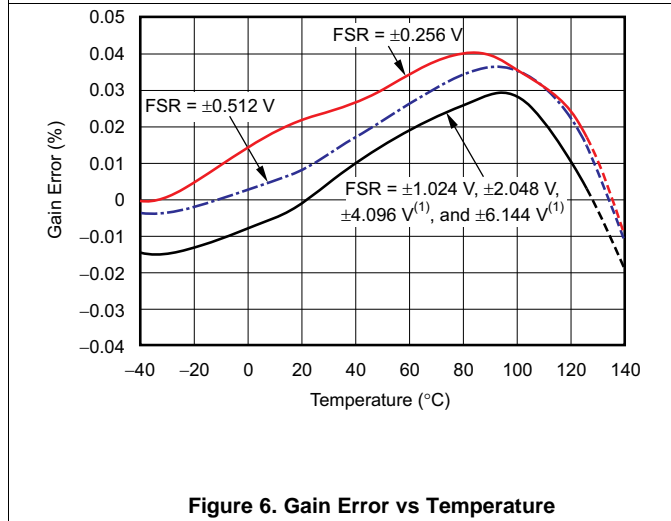
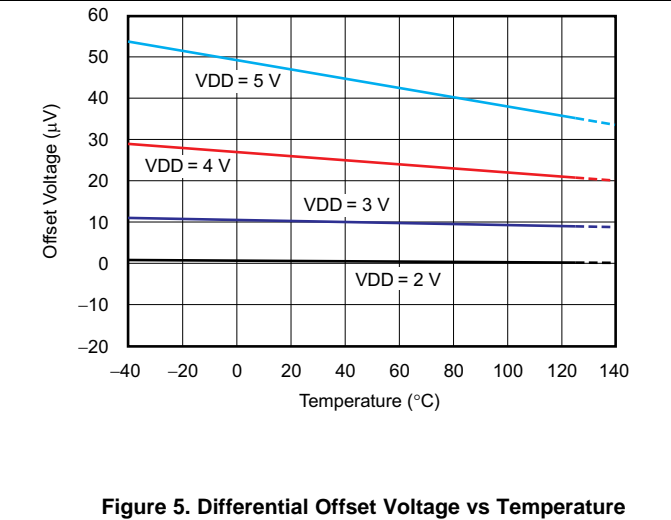
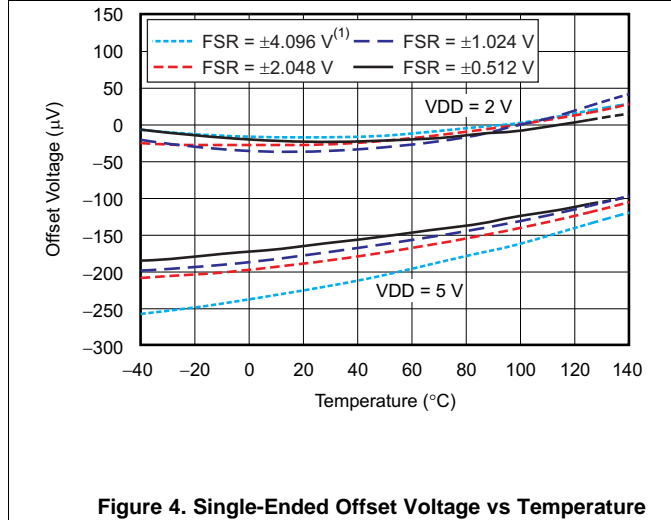
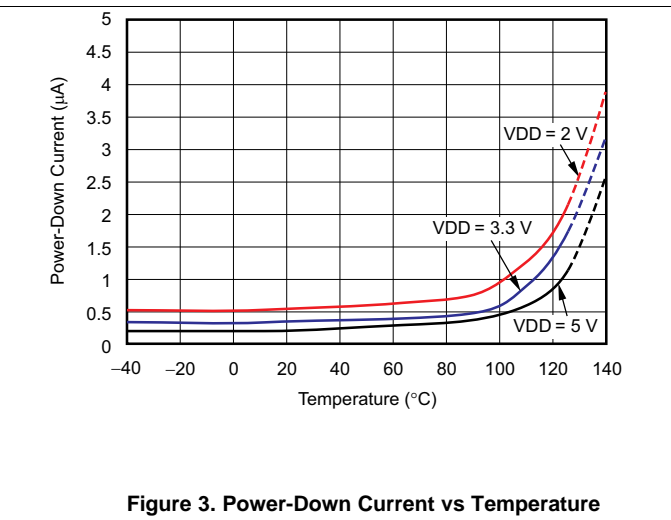
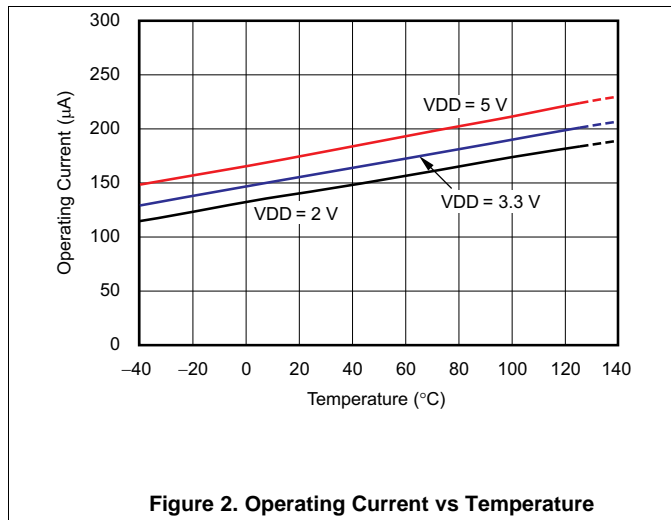


Figure 1. Serial Interface Timing

7.8 Typical Characteristics

at $T_A = 25^\circ\text{C}$, $V_{DD} = 3.3\text{ V}$, and $\text{FSR} = \pm 2.048\text{ V}$ (unless otherwise noted)



(1) This parameter expresses the full-scale range of the ADC scaling. In no event should more than $V_{DD} + 0.3\text{ V}$ be applied to this device.

8 Detailed Description

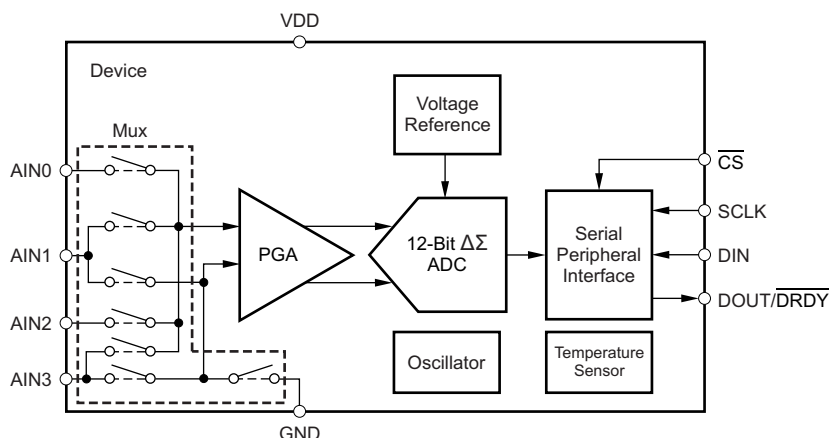
8.1 Overview

The ADS1018-Q1 is a very small, low-power, noise-free, 12-bit, delta-sigma ($\Delta\Sigma$) analog-to-digital converter (ADC). The ADS1018-Q1 consists of a $\Delta\Sigma$ ADC core with adjustable gain, an internal voltage reference, a clock oscillator, and an SPI. This device is also a highly linear and accurate temperature sensor. All of these features are intended to reduce required external circuitry and improve performance. The [Functional Block Diagram](#) section shows the ADS1018-Q1 functional block diagram.

The ADS1018-Q1 ADC core measures a differential signal, V_{IN} , that is the difference of $V_{(AINP)}$ and $V_{(AINN)}$. The converter core consists of a differential, switched-capacitor $\Delta\Sigma$ modulator followed by a digital filter. This architecture results in a very strong attenuation in any common-mode signals. Input signals are compared to the internal voltage reference. The digital filter receives a high-speed bitstream from the modulator and outputs a code proportional to the input voltage.

The ADS1018-Q1 has two available conversion modes: single-shot and continuous-conversion. In single-shot mode, the ADC performs one conversion of the input signal upon request and stores the value to an internal conversion register. The device then enters a power-down state. This mode is intended to provide significant power savings in systems that require only periodic conversions or when there are long idle periods between conversions. In continuous-conversion mode, the ADC automatically begins a conversion of the input signal as soon as the previous conversion is completed. The rate of continuous conversion is equal to the programmed data rate. Data can be read at any time and always reflect the most recently completed conversion.

8.2 Functional Block Diagram



8.3 Feature Description

8.3.1 Multiplexer

The ADS1018-Q1 contains an input multiplexer (mux), as shown in [Figure 8](#). Either four single-ended or two differential signals can be measured. Additionally, AIN0, AIN1, and AIN2 can be measured differentially to AIN3. The multiplexer is configured by bits MUX[2:0] in the [Config register](#). When single-ended signals are measured, the negative input of the ADC is internally connected to GND by a switch within the multiplexer.

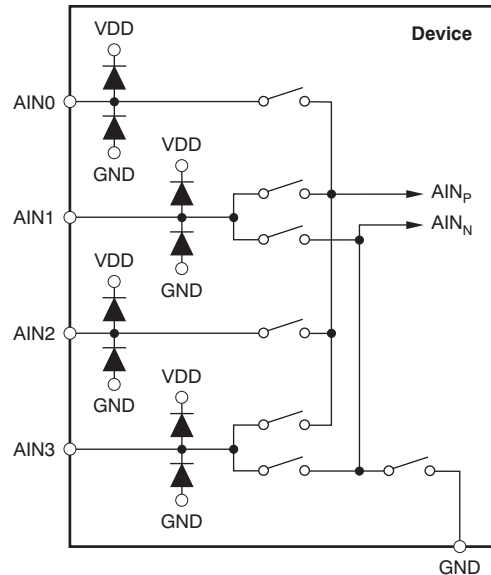


Figure 8. Input Multiplexer

When measuring single-ended inputs, the device does not output negative codes. These negative codes indicate negative differential signals; that is, $(V_{(AINP)} - V_{(AINN)}) < 0$. Electrostatic discharge (ESD) diodes to VDD and GND protect the ADS1018-Q1 inputs. To prevent the ESD diodes from turning on, keep the absolute voltage on any input within the range given in [Equation 1](#):

$$\text{GND} - 0.3 \text{ V} < V_{(AINx)} < \text{VDD} + 0.3 \text{ V} \quad (1)$$

If the voltages on the input pins can possibly violate these conditions, use external Schottky diodes and series resistors to limit the input current to safe values (see the [Absolute Maximum Ratings](#) table).

Also, overdriving one unused input on the ADS1018-Q1 may affect conversions currently taking place on other input pins. If overdriving unused inputs is possible, clamp the signal with external Schottky diodes.

Feature Description (continued)

8.3.2 Analog Inputs

The ADS1018-Q1 uses a switched-capacitor input stage where capacitors are continuously charged and then discharged to measure the voltage between A_{INP} and A_{INN} . This frequency at which the input signal is sampled is called the sampling frequency or the modulator frequency ($f_{(MOD)}$). The ADS1018-Q1 has a 1 MHz internal oscillator which is further divided by a factor of 4 to generate the modulator frequency at 250 kHz. The capacitors used in this input stage are small, and to external circuitry, the average loading appears resistive. This structure is shown in Figure 9. The resistance is set by the capacitor values and the rate at which they are switched. Figure 10 shows the setting of the switches illustrated in Figure 9. During the sampling phase, switches S_1 are closed. This event charges C_{A1} to $V_{(A_{INP})}$, C_{A2} to $V_{(A_{INN})}$, and C_B to $(V_{(A_{INP})} - V_{(A_{INN})})$. During the discharge phase, S_1 is first opened and then S_2 is closed. Both C_{A1} and C_{A2} then discharge to approximately 0.7 V and C_B discharges to 0 V. This charging draws a very small transient current from the source driving the ADS1018-Q1 analog inputs. The average value of this current can be used to calculate the effective impedance (Z_{eff}), where $Z_{eff} = V_{IN} / I_{AVERAGE}$.

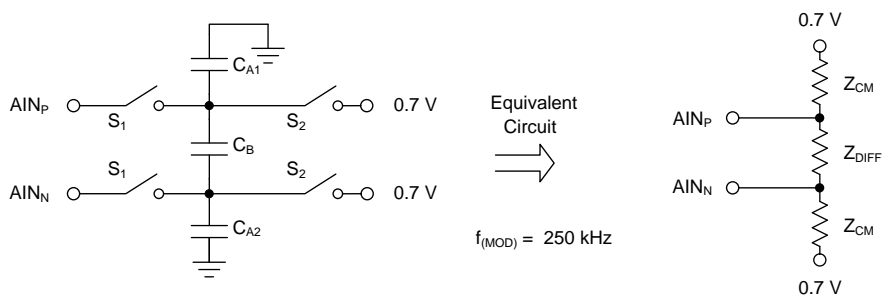


Figure 9. Simplified Analog Input Circuit

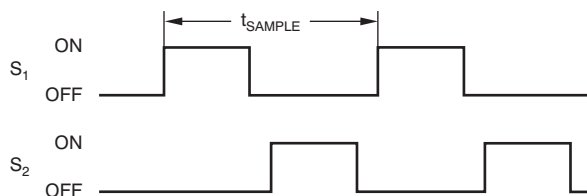


Figure 10. S_1 and S_2 Switch Timing

Common-mode input impedance is measured by applying a common-mode signal to the shorted A_{INP} and A_{INN} inputs and measuring the average current consumed by each pin. The common-mode input impedance changes depending on the full-scale range, but is approximately 6 M Ω for the default full-scale range. In Figure 9, the common-mode input impedance is Z_{CM} .

The differential input impedance is measured by applying a differential signal to A_{INP} and A_{INN} inputs where one input is held at 0.7 V. The current that flows through the pin connected to 0.7 V is the differential current and scales with the full-scale range. In Figure 9, the differential input impedance is Z_{DIFF} .

Make sure to consider the typical value of the input impedance. Unless the input source has a low impedance, the ADS1018-Q1 input impedance may affect the measurement accuracy. For sources with high output impedance, buffering may be necessary. Active buffers introduce noise, and also introduce offset and gain errors. Consider all of these factors in high-accuracy applications.

The clock oscillator frequency drifts slightly with temperature; therefore, the input impedances also drift. For most applications, this input impedance drift is negligible, and can be ignored.

Feature Description (continued)

8.3.3 Full-Scale Range (FSR) and LSB Size

A programmable gain amplifier (PGA) is implemented in front of the ADS1018-Q1 $\Delta\Sigma$ ADC core. The full-scale range is configured by bits PGA[2:0] in the [Config register](#), and can be set to ± 6.144 V, ± 4.096 V, ± 2.048 V, ± 1.024 V, ± 0.512 V, or ± 0.256 V.

[Table 1](#) shows the FSR together with the corresponding LSB size. Calculate the LSB size from the full-scale voltage by the formula shown in [Equation 2](#). However, make sure that the analog input voltage never exceeds the analog input voltage range limit given in the [Electrical Characteristics](#). If VDD greater than 4 V is used, the ± 6.144 -V full-scale range allows input voltages to extend up to the supply. Note though that in this case, or whenever the supply voltage is less than the full-scale range (for example, VDD = 3.3 V and full-scale range = ± 4.096 V), a full-scale ADC output code cannot be obtained. This inability means that some dynamic range is lost.

$$\text{LSB} = \text{FSR} / 2^{12} \quad (2)$$

Table 1. Full-Scale Range and Corresponding LSB Size

| FSR | LSB SIZE |
|------------------------------|----------|
| ± 6.144 V ⁽¹⁾ | 3 mV |
| ± 4.096 V ⁽¹⁾ | 2 mV |
| ± 2.048 V | 1 mV |
| ± 1.024 V | 0.5 mV |
| ± 0.512 V | 0.25 mV |
| ± 0.256 V | 0.125 mV |

(1) This parameter expresses the full-scale range of the ADC scaling. Do not apply more than VDD + 0.3 V to this device.

8.3.4 Voltage Reference

The ADS1018-Q1 has an integrated voltage reference. An external reference cannot be used with this device. Errors associated with the initial voltage reference accuracy and the reference drift with temperature are included in the gain error and gain drift specifications in the [Electrical Characteristics](#).

8.3.5 Oscillator

The ADS1018-Q1 has an integrated oscillator running at 1 MHz. No external clock is required to operate the device. Note that the internal oscillator drifts over temperature and time. The output data rate scales proportionally with the oscillator frequency.

8.3.6 Temperature Sensor

The ADS1018-Q1 offers an integrated precision temperature sensor. To enable the temperature sensor mode, set bit TS_MODE = 1 in the [Config register](#). Temperature data are represented as a 12-bit result that is left-justified within the 16-bit conversion result. Data are output starting with the most significant byte (MSB). When reading the two data bytes, the first 12 bits are used to indicate the temperature measurement result. One 12-bit LSB equals 0.125°C. Negative numbers are represented in binary twos complement format, as shown in [Table 2](#).

Table 2. 12-Bit Temperature Data Format

| TEMPERATURE (°C) | DIGITAL OUTPUT (BINARY) | HEX |
|------------------|-------------------------|-----|
| 128 | 0 100 0000 0000 | 400 |
| 127.875 | 0 011 1111 1111 | 3FF |
| 100 | 0 011 0010 0000 | 320 |
| 80 | 0 010 1000 0000 | 280 |
| 75 | 0 010 0101 1000 | 258 |
| 50 | 0 001 1001 0000 | 190 |
| 25 | 0 000 1100 1000 | 0C8 |
| 0.25 | 0 000 0000 0010 | 002 |
| 0 | 0 000 0000 0000 | 000 |
| -0.25 | 1 111 1111 1110 | FFE |
| -25 | 1 111 0011 1000 | F38 |
| -40 | 1 110 1100 0000 | EC0 |

8.3.6.1 Converting from Temperature to Digital Codes

For positive temperatures:

Twos complement is not performed on positive numbers. Therefore, simply convert the number to binary code in a 12-bit, left justified format with the MSB = 0 to denote the positive sign.

Example: $50^{\circ}\text{C} / (0.125^{\circ}\text{C}/\text{count}) = 400 = 190\text{h} = 0001\ 1001\ 0000$

For negative temperatures:

Generate the twos complement of a negative number by complementing the absolute binary number and adding 1. Then, denote the negative sign with the MSB = 1.

Example: $|-25^{\circ}\text{C}| / (0.125/\text{count}) = 200 = 0\text{C8h} = 0000\ 1100\ 1000$

Twos complement format: $1111\ 0011\ 01111 + 1 = 1111\ 0011\ 1000$

8.3.6.2 Converting from Digital Codes to Temperature

To convert from digital codes to temperature, first check whether the MSB is a 0 or a 1. If the MSB is a 0, simply multiply the decimal code by 0.125°C to obtain the result. If the MSB = 1, subtract 1 from the result and complement all of the bits. Then, multiply the result by -0.125°C.

Example: The device reads back 258h: 258h has an MSB = 0.

$258\text{h} \times 0.125^{\circ}\text{C} = 600 \times 0.125^{\circ}\text{C} = +75^{\circ}\text{C}$

Example: The device reads back F38h: F38h has an MSB = 1.

Subtract 1 and complement the result: $\text{F38h} \rightarrow \text{C8h}$

$\text{C8h} \times (-0.125^{\circ}\text{C}) = 200 \times (-0.125^{\circ}\text{C}) = -25^{\circ}\text{C}$

8.4 Device Functional Modes

8.4.1 Reset and Power-Up

When the ADS1018-Q1 powers up, the device resets. As part of the reset process, the ADS1018-Q1 sets all bits in the [Config register](#) to the respective default settings. By default, the ADS1018-Q1 enters a power-down state at start-up. The device interface and digital blocks are active, but no data conversions are performed. The initial power-down state of the ADS1018-Q1 relieves systems with tight power-supply requirements from encountering a surge during power-up.

8.4.2 Operating Modes

The ADS1018-Q1 operates in one of two modes: continuous-conversion or single-shot. The MODE bit in the [Config register](#) selects the respective operating mode.

8.4.2.1 Single-Shot Mode and Power-Down

When the MODE bit in the [Config register](#) is set to 1, the ADS1018-Q1 enters a power-down state, and operates in single-shot mode. This power-down state is the default state for the ADS1018-Q1 when power is first applied. Although powered down, the device still responds to commands. The ADS1018-Q1 remains in this power-down state until a 1 is written to the single-shot (SS) bit in the Config register. When the SS bit is asserted, the device powers up, resets the SS bit to 0, and starts a single conversion. When conversion data are ready for retrieval, the device powers down again. Writing a 1 to the SS bit while a conversion is ongoing has no effect. To switch to continuous-conversion mode, write a 0 to the MODE bit in the Config register.

8.4.2.2 Continuous-Conversion Mode

In continuous-conversion mode (MODE bit set to 0), the ADS1018-Q1 continuously performs conversions. When a conversion completes, the ADS1018-Q1 places the result in the [Conversion register](#) and immediately begins another conversion. To switch to single-shot mode, write a 1 to the MODE bit in the [Config register](#), or reset the device.

8.4.3 Duty Cycling for Low Power

The noise performance of a $\Delta\Sigma$ ADC generally improves when lowering the output data rate because more samples of the internal modulator are averaged to yield one conversion result. In applications where power consumption is critical, the improved noise performance at low data rates may not be required. For these applications, the ADS1018-Q1 supports duty cycling that can yield significant power savings by periodically requesting high data-rate readings at an effectively lower data rate.

For example, an ADS1018-Q1 in power-down state with a data rate set to 3300 SPS can be operated by a microcontroller that instructs a single-shot conversion every 7.8 ms (128 SPS). A conversion at 3300 SPS only requires approximately 0.3 ms; therefore, the ADS1018-Q1 enters power-down state for the remaining 7.5 ms. In this configuration, the ADS1018-Q1 consumes approximately 1/25th the power that is otherwise consumed in continuous-conversion mode. The duty cycling rate is completely arbitrary and is defined by the master controller. The ADS1018-Q1 offers lower data rates that do not implement duty cycling and also offers improved noise performance, if required.

8.5 Programming

8.5.1 Serial Interface

The SPI-compatible serial interface consists of either four signals (\overline{CS} , SCLK, DIN, and $\overline{DOUT/DRDY}$), or three signals (SCLK, DIN, and $\overline{DOUT/DRDY}$, with \overline{CS} tied low). The interface is used to read conversion data, read from and write to registers, and control device operation.

8.5.2 Chip Select (\overline{CS})

The chip select pin (\overline{CS}) selects the ADS1018-Q1 for SPI communication. This feature is useful when multiple devices share the same serial bus. Keep \overline{CS} low for the duration of the serial communication. When \overline{CS} is taken high, the serial interface is reset, SCLK is ignored, and $\overline{DOUT/DRDY}$ enters a high-impedance state. In this state, $\overline{DOUT/DRDY}$ cannot provide data-ready indication. In situations where multiple devices are present and $\overline{DOUT/DRDY}$ must be monitored, lower \overline{CS} periodically. At this point, the $\overline{DOUT/DRDY}$ pin either immediately goes high to indicate that no new data are available, or immediately goes low to indicate that new data are present in the [Conversion register](#) and are available for transfer. New data can be transferred at any time without concern of data corruption. When a transmission starts, the current result is locked into the output shift register and does not change until the communication completes. This system avoids any possibility of data corruption.

8.5.3 Serial Clock (SCLK)

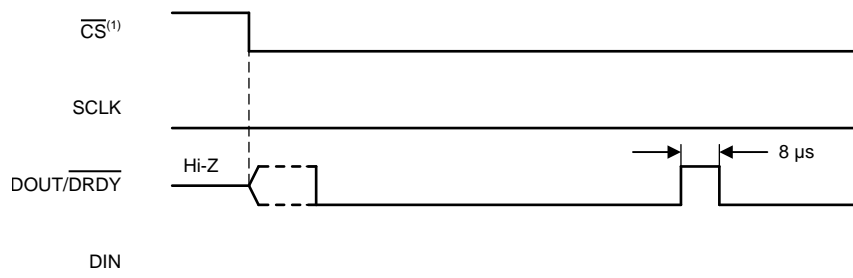
The serial clock pin (SCLK) features a Schmitt-triggered input and is used to clock data on the DIN and $\overline{DOUT/DRDY}$ pins into and out of the ADS1018-Q1. Even though the input has hysteresis, keep SCLK as clean as possible to prevent glitches from accidentally shifting the data. To reset the serial interface, hold SCLK low for 28 ms, and the next SCLK pulse starts a new communication cycle. Use this time-out feature to recover communication when a serial interface transmission is interrupted. When the serial interface is idle, hold SCLK low.

8.5.4 Data Input (DIN)

The data input pin (DIN) is used along with SCLK to send data to the ADS1018-Q1. The device latches data on DIN at the SCLK falling edge. The ADS1018-Q1 never drives the DIN pin.

8.5.5 Data Output and Data Ready ($\overline{DOUT/DRDY}$)

The data output and data ready pin ($\overline{DOUT/DRDY}$) is used with SCLK to read conversion and register data from the ADS1018-Q1. Data on $\overline{DOUT/DRDY}$ are shifted out on the SCLK rising edge. $\overline{DOUT/DRDY}$ is also used to indicate that a conversion is complete and new data are available. This pin transitions low when new data are ready for retrieval. $\overline{DOUT/DRDY}$ is also able to trigger a microcontroller to start reading data from the ADS1018-Q1. In continuous-conversion mode, $\overline{DOUT/DRDY}$ transitions high again 8 μ s before the next data ready signal ($\overline{DOUT/DRDY}$ low) if no data are retrieved from the device. This transition is shown in [Figure 11](#). Complete the data transfer before $\overline{DOUT/DRDY}$ returns high.



(1) \overline{CS} can be held low if the ADS1018-Q1 does not share the serial bus with another device. If \overline{CS} is low, $\overline{DOUT/DRDY}$ asserts low indicating new data are available.

Figure 11. $\overline{DOUT/DRDY}$ Behavior Without Data Retrieval in Continuous-Conversion Mode

When \overline{CS} is high, $\overline{DOUT/DRDY}$ is configured by default with a weak internal pullup resistor. This feature reduces the risk of $\overline{DOUT/DRDY}$ floating near midsupply and causing leakage current in the master device. To disable this pullup resistor and place the device into a high-impedance state, set the PULL_UP_EN bit to 0 in the [Config register](#).

Programming (continued)

8.5.6 Data Format

The ADS1018-Q1 provides 12 bits of data in binary two's complement format that is left justified within the 16-bit data word. A positive full-scale (+FS) input produces an output code of 7FF0h and a negative full-scale (–FS) input produces an output code of 8000h. The output clips at these codes for signals that exceed full-scale. Table 3 summarizes the ideal output codes for different input signals. Figure 12 shows code transitions versus input voltage.

Table 3. Input Signal versus Ideal Output Code

| INPUT SIGNAL, V_{IN} ($A_{INP} - A_{INN}$) | IDEAL OUTPUT CODE ⁽¹⁾ |
|---|----------------------------------|
| $\geq +FS (2^{11} - 1) / 2^{11}$ | 7FF0h |
| $+FS / 2^{11}$ | 0010h |
| 0 | 0 |
| $-FS / 2^{11}$ | FFF0h |
| $\leq -FS$ | 8000h |

(1) Excludes the effects of noise, INL, offset, and gain errors.

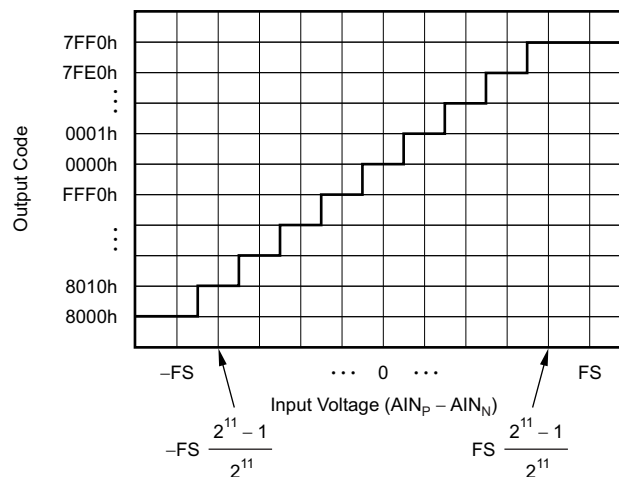


Figure 12. Code Transition Diagram

8.5.7 Data Retrieval

Data is written to and read from the ADS1018-Q1 in the same manner for both single-shot and continuous conversion modes, without having to issue any commands. The operating mode for the ADS1018-Q1 is selected by the MODE bit in the Config register.

Set the MODE bit to 0 to put the device in continuous-conversion mode. In continuous-conversion mode, the device is constantly starting new conversions even when \overline{CS} is high.

Set the MODE bit to 1 for single-shot mode. In single-shot mode, a new conversion only starts by writing a 1 to the SS bit.

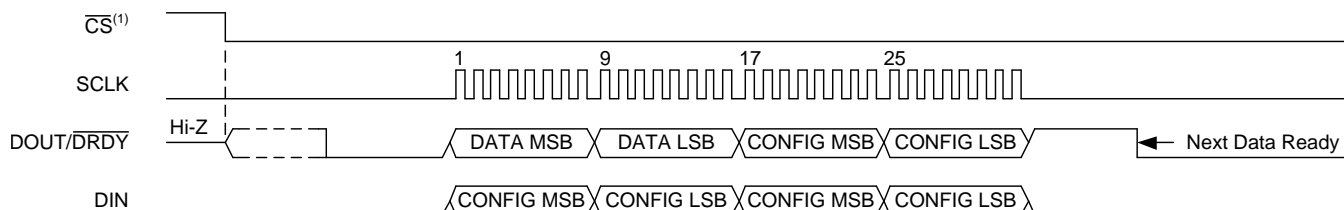
The conversion data are always buffered, and retain the current data until replaced by new conversion data. Therefore, data can be read at any time without concern of data corruption. When DOUT/DRDY asserts low, indicating that new conversion data are ready, the conversion data are read by shifting the data out on DOUT/DRDY. The MSB of the data (bit 15) on DOUT/DRDY is clocked out on the first SCLK rising edge. At the same time that the conversion result is clocked out of DOUT/DRDY, new Config register data are latched on DIN on the SCLK falling edge.

The ADS1018-Q1 also offers the possibility of direct readback of the Config register settings in the same data transmission cycle. One complete data transmission cycle consists of either 32 bits (when the Config register data readback is used) or 16 bits (only used when the \overline{CS} line can be controlled and is not permanently tied low).

8.5.7.1 32-Bit Data Transmission Cycle

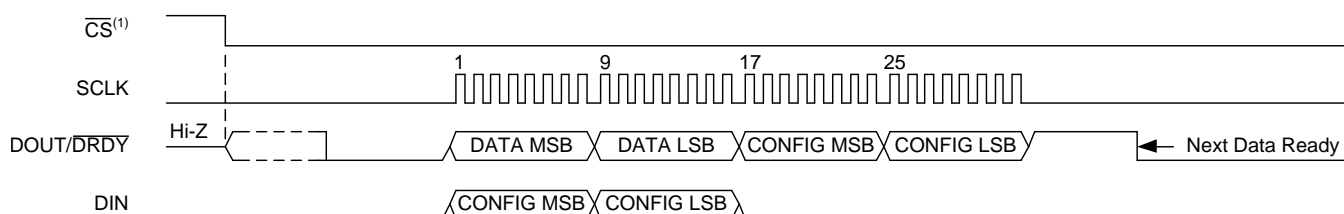
The data in a 32-bit data transmission cycle consist of four bytes: two bytes for the conversion result, and an additional two bytes for the [Config register](#) readback. The device always reads the MSB first.

Write the same Config register setting twice during one transmission cycle as shown in [Figure 13](#). If convenient, write the Config register setting once during the first half of the transmission cycle, and then hold the DIN pin either low (as shown in [Figure 14](#)) or high during the second half of the cycle. If no update to the Config register is required, hold the DIN pin either low or high during the entire transmission cycle. The Config register setting written in the first two bytes of a 32-bit transmission cycle is read back in the last two bytes of the same cycle.



(1) \overline{CS} can be held low if the ADS1018-Q1 does not share the serial bus with another device. If \overline{CS} is low, $\overline{DOUT/DRDY}$ asserts low indicating new data are available.

Figure 13. 32-Bit Data Transmission Cycle With Config Register Readback



(1) \overline{CS} can be held low if the ADS1018-Q1 does not share the serial bus with another device. If \overline{CS} is low, $\overline{DOUT/DRDY}$ asserts low indicating new data are available.

Figure 14. 32-Bit Data Transmission Cycle: DIN Held Low

8.5.7.2 16-Bit Data Transmission Cycle

If [Config register](#) data are not required to be read back, the ADS1018-Q1 conversion data can be clocked out in a short 16-bit data transmission cycle, as shown in [Figure 15](#). Take \overline{CS} high after the 16th SCLK cycle to reset the SPI interface. The next time \overline{CS} is taken low, data transmission starts with the currently buffered conversion result on the first SCLK rising edge. If $\overline{DOUT/DRDY}$ is low when data retrieval starts, the conversion buffer is already updated with a new result. Otherwise, if $\overline{DOUT/DRDY}$ is high, the same result from the previous data transmission cycle is read.

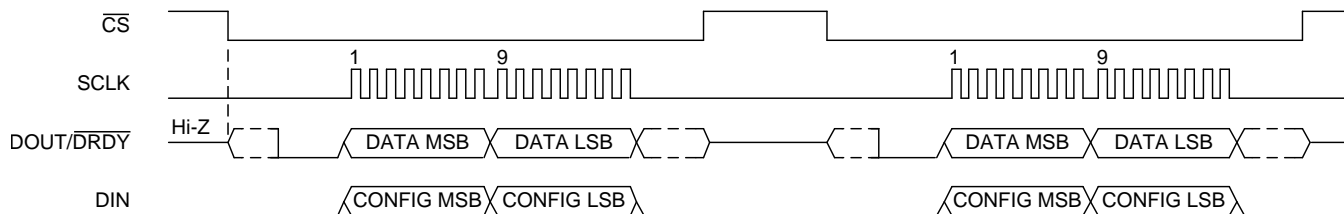


Figure 15. 16-Bit Data Transmission Cycle

8.6 Register Maps

The ADS1018-Q1 has two registers that are accessible through the SPI. The [Conversion register](#) contains the result of the last conversion. The [Config register](#) allows the user to change the ADS1018-Q1 operating modes and query the status of the devices.

8.6.1 Conversion Register [reset = 0000h]

The 16-bit Conversion register contains the result of the last conversion in binary twos complement format. Following power up, the Conversion register is cleared to 0, and remains 0 until the first conversion is complete. The register format is shown in [Figure 16](#).

Figure 16. Conversion Register

| | | | | | | | |
|------|------|------|------|----------|------|------|------|
| 15 | 14 | 13 | 12 | 11 | 10 | 9 | 8 |
| D11 | D10 | D9 | D8 | D7 | D6 | D5 | D4 |
| R-0h | R-0h | R-0h | R-0h | R-0h | R-0h | R-0h | R-0h |
| 7 | 6 | 5 | 4 | 3 | 2 | 1 | 0 |
| D3 | D2 | D1 | D0 | Reserved | | | |
| R-0h | R-0h | R-0h | R-0h | R-0h | R-0h | R-0h | R-0h |

LEGEND: R/W = Read/Write; R = Read only; -n = value after reset

Table 4. Conversion Register Field Descriptions

| Bit | Field | Type | Reset | Description |
|------|----------|------|-------|--------------------------|
| 15:4 | D[11:0] | R | 000h | 12-bit conversion result |
| 3:0 | Reserved | R | 0h | Always Reads back 0h |

8.6.2 Config Register [reset= 058Bh]

The 16-bit Config register can be used to control the ADS1018-Q1 operating mode, input selection, data rate, full-scale range, and temperature sensor mode. The register format is shown in [Figure 17](#).

Figure 17. Config Register

| | | | | | | | |
|---------|----------|----|---------|------------|----------|---|----------|
| 15 | 14 | 13 | 12 | 11 | 10 | 9 | 8 |
| SS | MUX[2:0] | | | PGA[2:0] | | | MODE |
| R/W-0h | R/W-0h | | | R/W-2h | | | R/W-1h |
| 7 | 6 | 5 | 4 | 3 | 2 | 1 | 0 |
| DR[2:0] | | | TS_MODE | PULL_UP_EN | NOP[1:0] | | Reserved |
| R/W-4h | | | R/W-0h | R/W-1h | R/W-1h | | R-1h |

LEGEND: R/W = Read/Write; R = Read only; -n = value after reset

Table 5. Config Register Field Descriptions

| Bit | Field | Type | Reset | Description |
|-----|-------|------|-------|---|
| 15 | SS | R/W | 0h | <p>Single-shot conversion start This bit is used to start a single conversion. SS can only be written when in power-down state and has no effect when a conversion is ongoing.</p> <p>When writing: 0 = No effect 1 = Start a single conversion (when in power-down state) Always reads back as 0 (default).</p> |

Table 5. Config Register Field Descriptions (continued)

| Bit | Field | Type | Reset | Description |
|-------|------------|------|-------|---|
| 14:12 | MUX[2:0] | R/W | 0h | Input multiplexer configuration These bits configure the input multiplexer. 000 = AIN _P is AIN0 and AIN _N is AIN1 (default) 001 = AIN _P is AIN0 and AIN _N is AIN3 010 = AIN _P is AIN1 and AIN _N is AIN3 011 = AIN _P is AIN2 and AIN _N is AIN3 100 = AIN _P is AIN0 and AIN _N is GND 101 = AIN _P is AIN1 and AIN _N is GND 110 = AIN _P is AIN2 and AIN _N is GND 111 = AIN _P is AIN3 and AIN _N is GND |
| 11:9 | PGA[2:0] | R/W | 2h | Programmable gain amplifier configuration These bits configure the programmable gain amplifier. 000 = FSR is $\pm 6.144\text{ V}^{(1)}$ 001 = FSR is $\pm 4.096\text{ V}^{(1)}$ 010 = FSR is $\pm 2.048\text{ V}$ (default) 011 = FSR is $\pm 1.024\text{ V}$ 100 = FSR is $\pm 0.512\text{ V}$ 101 = FSR is $\pm 0.256\text{ V}$ 110 = FSR is $\pm 0.256\text{ V}$ 111 = FSR is $\pm 0.256\text{ V}$ |
| 8 | MODE | R/W | 1h | Device operating mode This bit controls the ADS1018-Q1 operating mode. 0 = Continuous-conversion mode 1 = Power-down and single-shot mode (default) |
| 7:5 | DR[2:0] | R/W | 4h | Data rate These bits control the data-rate setting. 000 = 128 SPS 001 = 250 SPS 010 = 490 SPS 011 = 920 SPS 100 = 1600 SPS (default) 101 = 2400 SPS 110 = 3300 SPS 111 = Not Used |
| 4 | TS_MODE | R/W | 0h | Temperature sensor mode This bit configures the ADC to convert temperature or input signals. 0 = ADC mode (default) 1 = Temperature sensor mode |
| 3 | PULL_UP_EN | R/W | 1h | Pullup enable This bit enables a weak internal pullup resistor on the DOUT/ $\overline{\text{DRDY}}$ pin only when $\overline{\text{CS}}$ is high. When enabled, an internal 400-k Ω resistor connects the bus line to supply. When disabled, the DOUT/ $\overline{\text{DRDY}}$ pin floats. 0 = Pullup resistor disabled on DOUT/ $\overline{\text{DRDY}}$ pin 1 = Pullup resistor enabled on DOUT/ $\overline{\text{DRDY}}$ pin (default) |
| 2:1 | NOP[1:0] | R/W | 1h | No operation The NOP[1:0] bits control whether data are written to the Config register or not. For data to be written to the Config register, the NOP[1:0] bits must be 01. Any other value results in a NOP command. DIN can be held high or low during SCLK pulses without data being written to the Config register. 00 = Invalid data; do not update the contents of the Config register 01 = Valid data; update the Config register (default) 10 = Invalid data; do not update the contents of the Config register 11 = Invalid data; do not update the contents of the Config register |
| 0 | Reserved | R | 1h | Reserved Always write 1h Reads back either 0h or 1h |

(1) This parameter expresses the full-scale range of the ADC scaling. Do not apply more than VDD + 0.3 V to this device.

9 Application and Implementation

NOTE

Information in the following applications sections is not part of the TI component specification, and TI does not warrant its accuracy or completeness. TI's customers are responsible for determining suitability of components for their purposes. Customers should validate and test their design implementation to confirm system functionality.

9.1 Application Information

The ADS1018-Q1 is a precision, 12-bit $\Delta\Sigma$ ADC that offers many integrated features to ease the measurement of the most common sensor types including various type of temperature and bridge sensors. The following sections give example circuits and suggestions for using the ADS1018-Q1 in various situations.

9.1.1 Serial Interface Connections

The principle serial interface connections for the ADS1018-Q1 are shown in Figure 18.

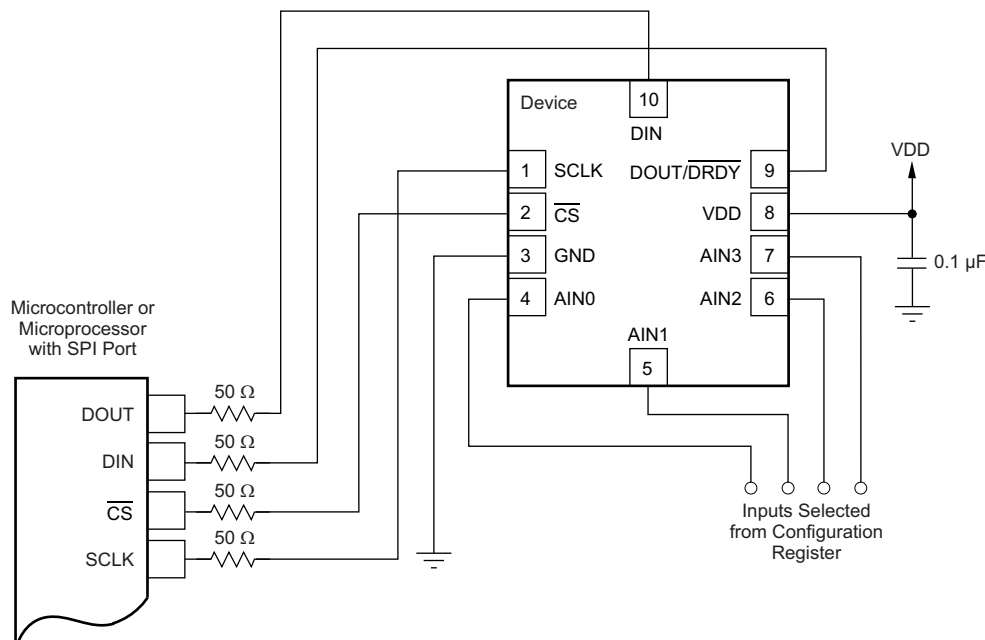


Figure 18. Typical Connections

Most microcontroller SPI peripherals operate with the ADS1018-Q1. The interface operates in SPI mode 1 where CPOL = 0 and CPHA = 1, SCLK idles low, and data are launched or changed only on SCLK rising edges; data are latched or read by the master and slave on SCLK falling edges. Details of the SPI communication protocol employed by the ADS1018-Q1 can be found in the [Timing Requirements: Serial Interface](#) section.

It is a good practice to place 50-Ω resistors in the series path to each of the digital pins to provide some short-circuit protection. Take care to still meet all SPI timing requirements because these additional series resistors along with the bus parasitic capacitances present on the digital signal lines slows the signals.

The fully-differential input of the ADS1018-Q1 is ideal for connecting to differential sources (such as thermocouples and thermistors) with a moderately low source impedance. Although the ADS1018-Q1 can read fully-differential signals, the device cannot accept negative voltages on either of its inputs because of ESD protection diodes on each pin. When an input exceeds supply or drops below ground, these diodes turn on to prevent any ESD damage to the device.

Application Information (continued)

9.1.2 GPIO Ports for Communication

Most microcontrollers have programmable input/output (I/O) pins that can be set in software to act as inputs or outputs. If an SPI controller is not available, the ADS1018-Q1 can be connected to GPIO pins and the SPI bus protocol can be simulated. Using GPIO pins to generate the SPI interface requires only that the pins be configured as push or pull inputs or outputs. Furthermore, if the SCLK line is held low for more than 28 ms, communication times out. This condition means that the GPIO ports must be capable of providing SCLK pulses with no more than 28 ms between pulses.

9.1.3 Analog Input Filtering

Analog input filtering serves two purposes: first, to limit the effect of aliasing during the sampling process and second, to reduce external noise from being a part of the measurement.

As with any sampled system, aliasing can occur if proper antialias filtering is not in place. Aliasing occurs when frequency components are present in the input signal that are higher than half the sampling frequency of the ADC (also known as the *Nyquist frequency*). These frequency components fold back and show up in the actual frequency band of interest below half the sampling frequency. The filter response of the digital filter repeats at multiples of the sampling frequency, also known as modulator frequency $f_{(MOD)}$, as shown in Figure 19. Signals or noise up to a frequency where the filter response repeats are attenuated to a certain amount by the digital filter depending on the filter architecture. Any frequency components present in the input signal around the modulator frequency or multiples thereof are not attenuated and alias back into the band of interest, unless attenuated by an external analog filter.

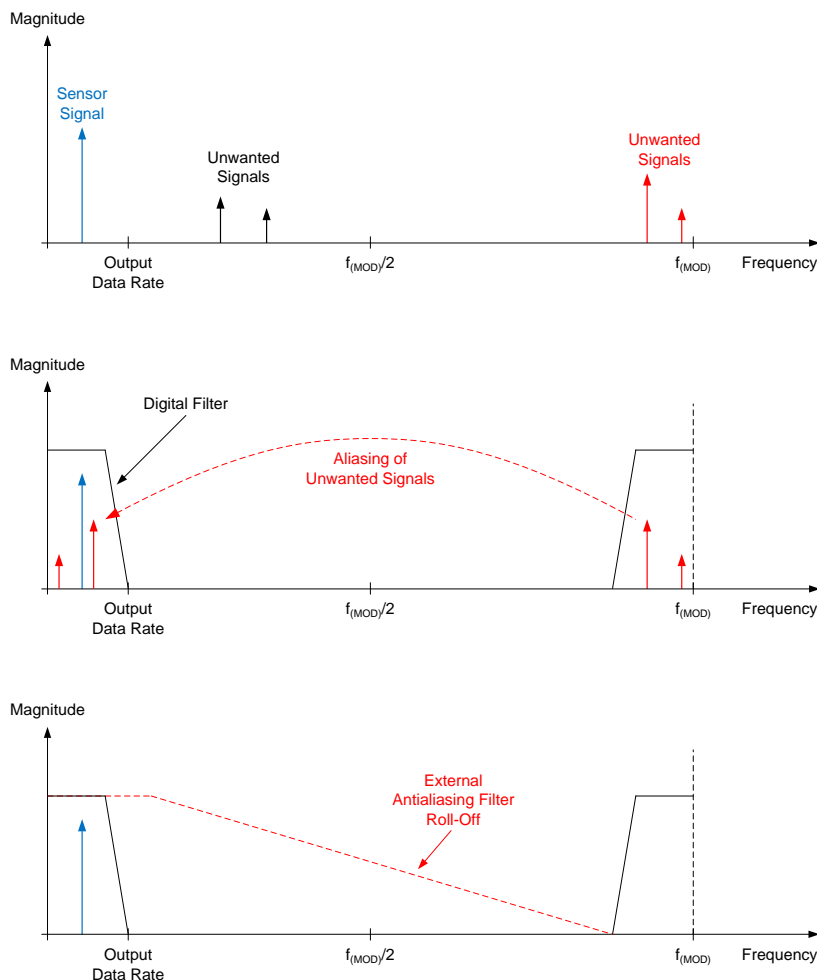


Figure 19. Effect of Aliasing

Application Information (continued)

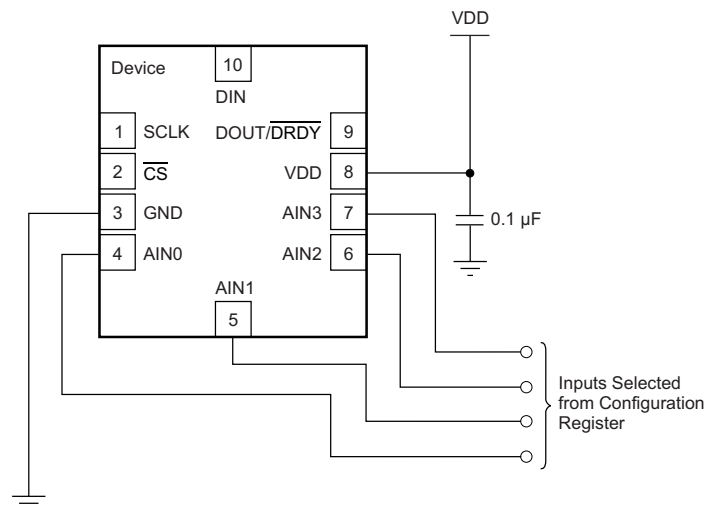
Many sensor signals are inherently band-limited; for example, the output of a thermocouple has a limited rate of change. In this case the sensor signal does not alias back into the pass-band when using a $\Delta\Sigma$ ADC. However, any noise pickup along the sensor wiring or the application circuitry can potentially alias into the pass band. Power line-cycle frequency and harmonics are one common noise source. External noise can also be generated from electromagnetic interference (EMI) or radio frequency interference (RFI) sources, such as nearby motors and cellular phones. Another noise source typically exists on the printed-circuit-board (PCB) itself in the form of clocks and other digital signals. Analog input filtering helps remove unwanted signals from affecting the measurement result.

A first-order, resistor-capacitor (RC) filter is, in most cases, sufficient to either totally eliminate aliasing, or to reduce the effect of aliasing to a level within the noise floor of the sensor. Ideally, any signal beyond $f_{(\text{MOD})} / 2$ is attenuated to a level below the noise floor of the ADC. The digital filter of the ADS1018-Q1 attenuates signals to a certain degree. In addition, noise components are usually smaller in magnitude than the actual sensor signal. Therefore, using a first-order RC filter with a cutoff frequency set at the output data rate or ten times higher is generally a good starting point for a system design.

9.1.4 Single-Ended Inputs

Although the ADS1018-Q1 has two differential inputs, the device can measure four single-ended signals. [Figure 20](#) shows a single-ended connection scheme. The ADS1018-Q1 is configured for single-ended measurement by configuring the mux to measure each channel with respect to ground. Data are then read out of one input based on the selection in the [Config register](#). The single-ended signal can range from 0 V up to positive supply or +FS, whichever is lower. Negative voltages cannot be applied to this circuit because the ADS1018-Q1 can only accept positive voltages with respect to ground. The ADS1018-Q1 does not lose linearity within the input range.

The ADS1018-Q1 offers a differential input voltage range of $\pm\text{FS}$. The single-ended circuit shown in [Figure 20](#), however, only uses the positive half of the ADS1018-Q1 FS input voltage range because differentially negative inputs are not produced. Because only half of the FS range is used, one bit of resolution is lost. For optimal noise performance, use differential configurations whenever possible. Differential configurations maximize the dynamic range of the ADC and provide strong attenuation of common-mode noise.



NOTE: Digital pin connections omitted for clarity.

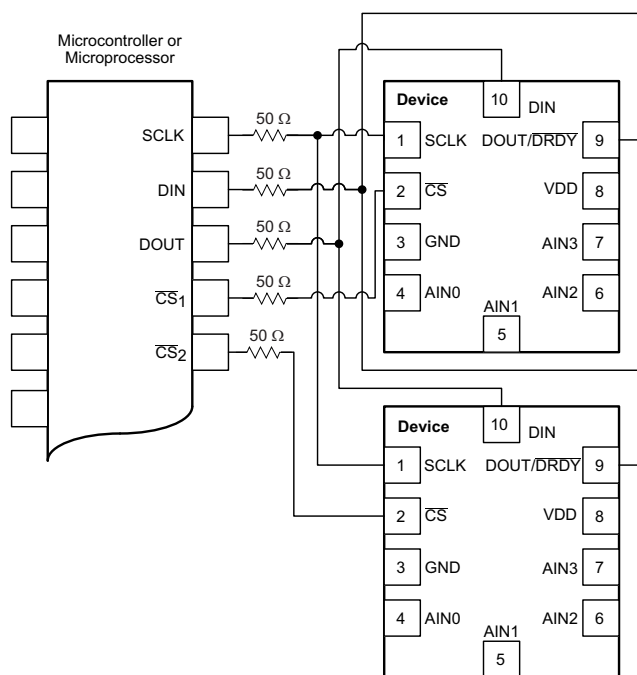
Figure 20. Measuring Single-Ended Inputs

The ADS1018-Q1 also allows AIN3 to serve as a common point for measurements by adjusting the mux configuration. AIN0, AIN1, and AIN2 can all be measured with respect to AIN3. In this configuration, the ADS1018-Q1 operates with inputs where AIN3 serves as the common point. This ability improves the usable range over the single-ended configuration because negative differential voltages are allowed when $\text{GND} < V_{(\text{AIN3})} < \text{VDD}$; however, common-mode noise attenuation is not offered.

Application Information (continued)

9.1.5 Connecting Multiple Devices

When connecting multiple ADS1018-Q1 devices to a single SPI bus, SCLK, DIN, and DOUT/DRDY can be safely shared by using a dedicated chip-select (\overline{CS}) for each SPI-enabled device. By default, when \overline{CS} goes high for the ADS1018-Q1, DOUT/DRDY is pulled up to VDD by a weak pullup resistor. This feature prevents DOUT/DRDY from floating near midrail and causing excess current leakage on a microcontroller input. If the PULL_UP_EN bit in the Config register is set to 0, the DOUT/DRDY pin enters a 3-state mode when \overline{CS} transitions high. The ADS1018-Q1 cannot issue a data-ready pulse on DOUT/DRDY when \overline{CS} is high. To evaluate when a new conversion is ready from the ADS1018-Q1 when using multiple devices, the master can periodically drop \overline{CS} to the ADS1018-Q1. When \overline{CS} goes low, the DOUT/DRDY pin immediately drives either high or low. If the DOUT/DRDY line drives high, no new data are currently available and the ADS1018-Q1 returns the last read conversion result. Valid data can be retrieved from the ADS1018-Q1 at anytime without concern of data corruption. If a new conversion becomes available during data transmission, that conversion is not available for readback until a new SPI transmission is initiated.

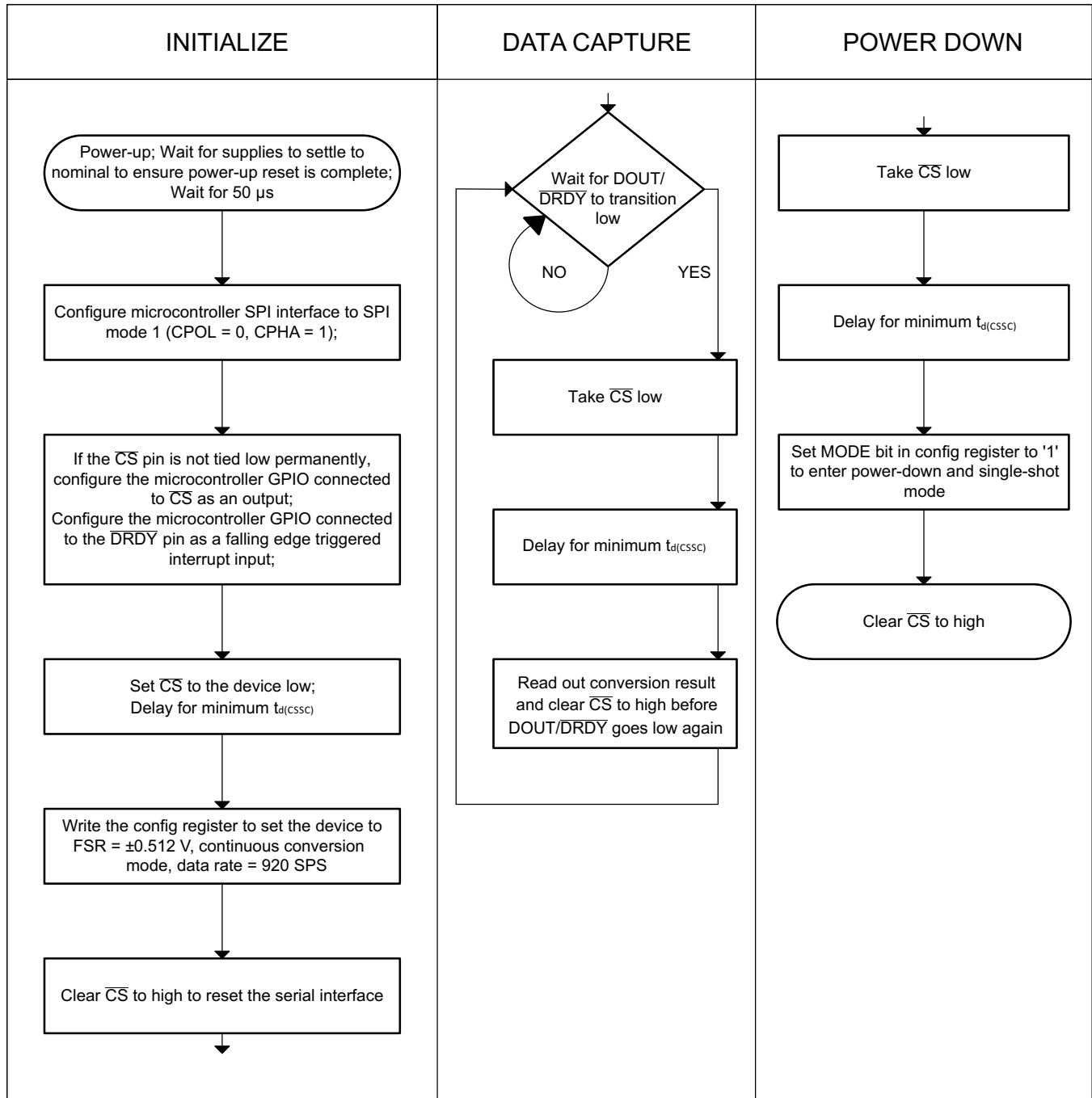


NOTE: Power and input connections omitted for clarity.

Figure 21. Connecting Multiple ADS1018-Q1s

Application Information (continued)
9.1.6 Pseudo Code Example

The flow chart in [Figure 22](#) shows a pseudo-code sequence with the required steps to set up communication between the device and a microcontroller to take subsequent readings from the ADS1018-Q1. As an example, the default [Config register](#) settings are changed to set up the device for FSR = ±0.512 V, continuous-conversion mode, and a 920-SPS data rate.


Figure 22. Pseudo-Code Example Flowchart

9.2 Typical Application

Figure 23 shows the basic connections for an independent, two-channel thermocouple measurement system when using the internal high-precision temperature sensor for cold-junction compensation. Apart from the thermocouples, the only external circuitry required are biasing resistors; first-order, low-pass, antialiasing filters; and a power-supply decoupling capacitor.

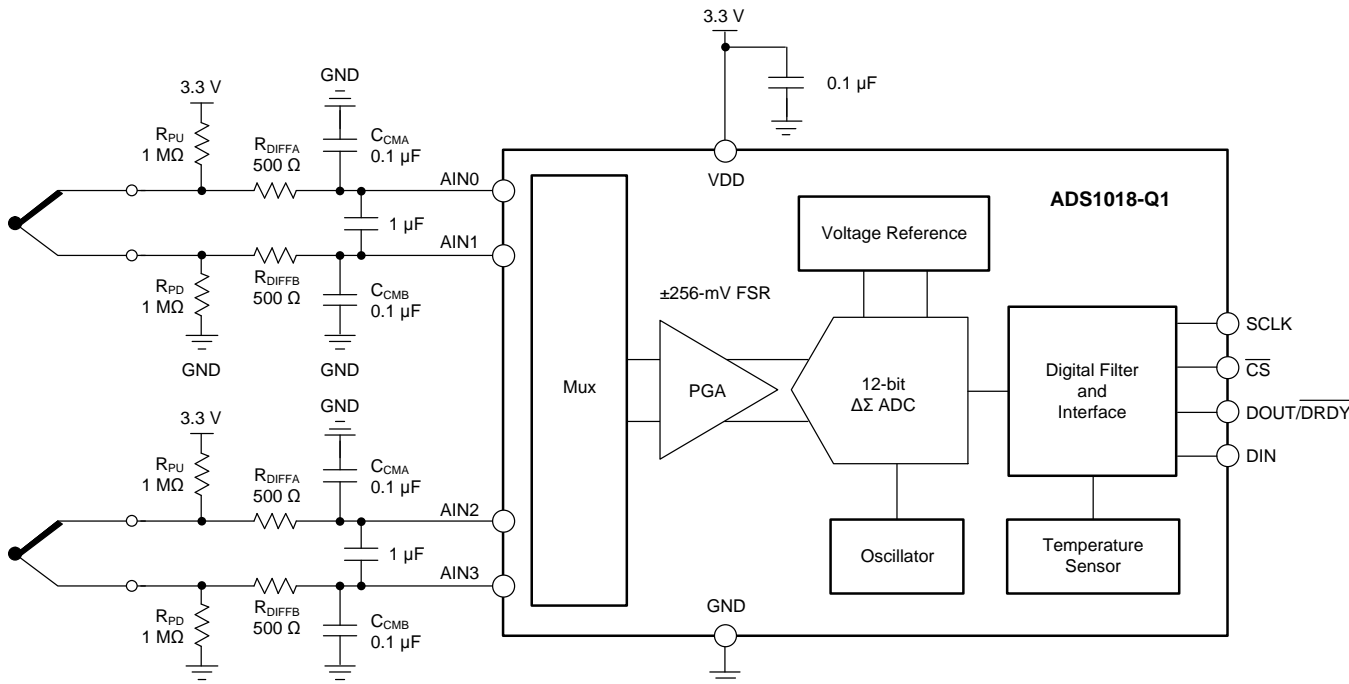


Figure 23. Two-Channel Thermocouple Measurement System

9.2.1 Design Requirements

Table 6 shows the design parameters for this application.

Table 6. Design Parameters

| DESIGN PARAMETER | VALUE |
|--|---------------------------|
| Supply voltage | 3.3 V |
| Full-scale range | ±0.256 V |
| Update rate | ≥ 100 readings per second |
| Thermocouple type | K |
| Temperature measurement range | –200°C to +1250°C |
| Measurement accuracy at $T_A = 25^\circ\text{C}^{(1)}$ | ±2.7°C |

(1) With offset calibration, and no gain calibration. Measurement does not account for thermocouple inaccuracy.

9.2.2 Detailed Design Procedure

The biasing resistors (R_{PU} and R_{PD}) serve two purposes. The first purpose is to set the common-mode voltage of the thermocouple to within the specified voltage range of the device. The second purpose is to offer a weak pullup and pulldown to detect an open thermocouple lead. When one of the thermocouple leads fails open, the positive input is pulled to VDD and the negative input is pulled to GND. The ADC consequently reads a full-scale value that is outside the normal measurement range of the thermocouple voltage to indicate this failure condition. When choosing the values of the biasing resistors, take care so that the biasing current does not degrade measurement accuracy. The biasing current flows through the thermocouple and can cause self-heating and additional voltage drops across the thermocouple leads. Typical values for the biasing resistors range from 1 MΩ to 50 MΩ.

Although the device digital filter attenuates high-frequency components of noise, provide a first-order, passive RC filter at the inputs to further improve performance. The differential RC filter formed by R_{DIFFA} , R_{DIFFB} , and the differential capacitor C_{DIFF} offers a cutoff frequency that is calculated using [Equation 3](#). While the digital filter of the ADS1018-Q1 strongly attenuates high-frequency components of noise, provide a first-order, passive RC filter to further suppress high-frequency noise and avoid aliasing. Care must be taken when choosing the filter resistor values because the input currents flowing into and out of the device cause a voltage drop across the resistors. This voltage drop shows up as an additional offset error at the ADC inputs. Limit the filter resistor values to below 1 k Ω for best performance.

$$f_C = 1 / [2\pi \cdot (R_{DIFFA} + R_{DIFFB}) \cdot C_{DIFF}] \quad (3)$$

Two common-mode filter capacitors (C_{CMA} and C_{CMB}) are also added to offer attenuation of high-frequency, common-mode noise components. Differential capacitor C_{DIFF} must be at least an order of magnitude (10x) larger than these common-mode capacitors because mismatches in the common-mode capacitors can convert common-mode noise into differential noise.

The highest measurement resolution is achieved when the largest potential input signal is slightly lower than the FSR of the ADC. From the design requirement, the maximum thermocouple voltage (V_{TC}) occurs at a thermocouple temperature (T_{TC}) of 1250°C. At this temperature, $V_{TC} = 50.644$ mV, as defined in the tables published by the National Institute of Standards and Technology (NIST) using a cold-junction temperature (T_{CJ}) of 0°C. A thermocouple produces an output voltage that is proportional to the temperature difference between the thermocouple tip and the cold junction. If the cold junction is at a temperature below 0°C, the thermocouple produces a voltage larger than 50.644 mV. The isothermal block area is constrained by the operating temperature range of the device. Therefore, the isothermal block temperature is limited to –40°C. A K-type thermocouple at $T_{TC} = 1250^\circ\text{C}$ produces an output voltage of $V_{TC} = 50.644$ mV – (–1.527 mV) = 52.171 mV when referenced to a cold-junction temperature of $T_{CJ} = -40^\circ\text{C}$. The device offers a full-scale range of ± 0.256 V and that is what is used in this application example.

The device integrates a high-precision temperature sensor that can be used to measure the temperature of the cold junction. The temperature sensor mode is enabled by setting bit `TS_MODE = 1` in the [Config register](#). The accuracy of the overall temperature sensor depends on how accurately the ADS1018-Q1 can measure the cold junction, and hence, careful component placement and PCB layout considerations must be employed for designing an accurate thermocouple system. The [ADS1118 Evaluation Module](#) provides a good starting point and offers an example to achieve good cold-junction compensation performance. The [ADS1118 Evaluation Module](#) uses the same schematic as shown in [Figure 23](#), except with only one thermocouple channel connected. Refer to the application note, *Precision Thermocouple Measurement With the ADS1118*, [SBAA189](#), for details on how to optimize your component placement and layout to achieve good cold-junction compensation performance.

The calculation procedure to achieve cold-junction compensation can be done in several ways. A typical way is to interleave readings between the thermocouple inputs and the temperature sensor. That is, acquire one on-chip temperature result, T_{CJ} , for every thermocouple ADC voltage measured, V_{TC} . To account for the cold junction, first convert the temperature sensor reading within the ADS1018-Q1 to a voltage (V_{CJ}) that is proportional to the thermocouple currently being used. This process is generally accomplished by performing a reverse lookup on the table used for the thermocouple voltage-to-temperature conversion. Adding these two voltages yields the thermocouple-compensated voltage (V_{Actual}), where $V_{Actual} = V_{CJ} + V_{TC}$. V_{Actual} is then converted to a temperature (T_{Actual}) using the same NIST lookup table. A block diagram showing this process is given in [Figure 24](#). Refer to the application note, *Precision Thermocouple Measurement With the ADS1118*, [SBAA189](#), for a detailed explanation of this method.

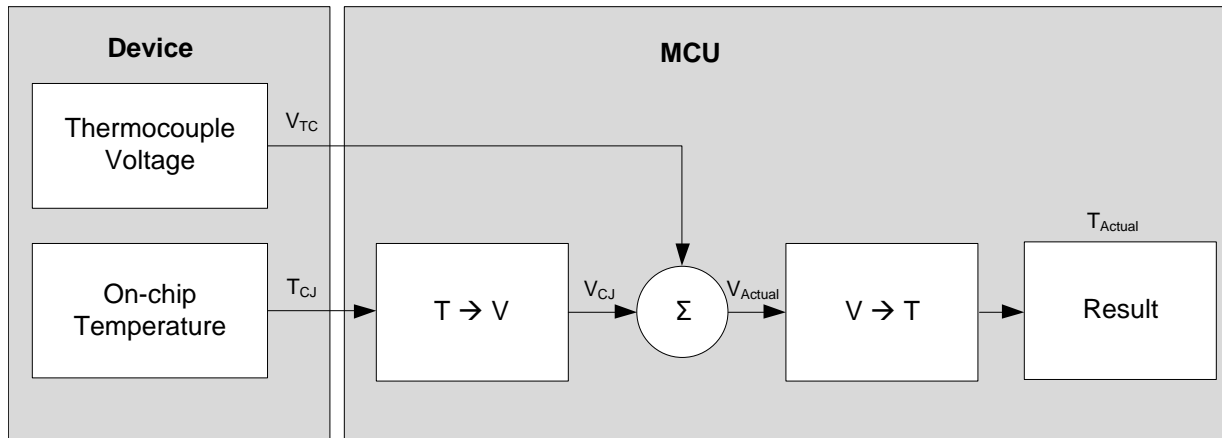
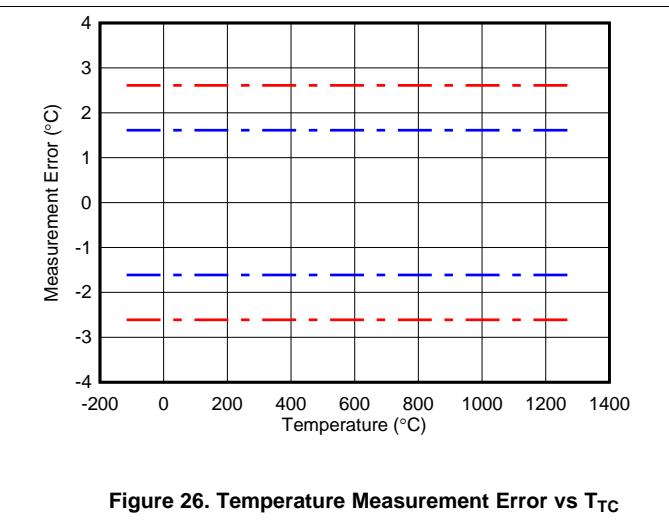
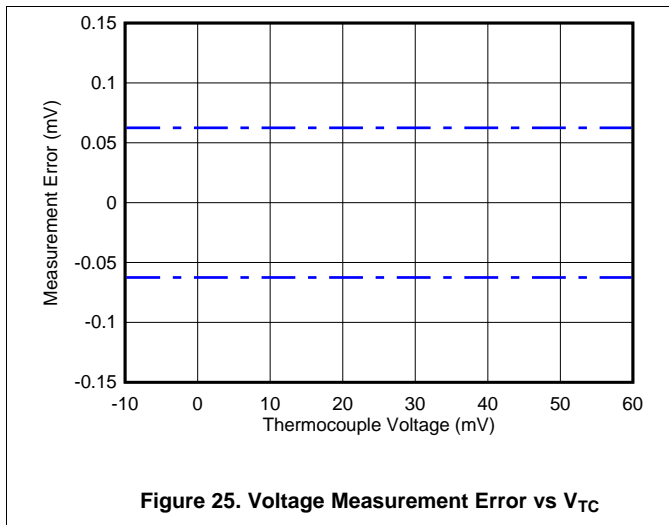


Figure 24. Software-Flow Block Diagram

Figure 25 and Figure 26 show the expected measurement results. A system offset calibration is performed at $T_{TC} = 25^{\circ}\text{C}$ that equates to $V_{TC} = 0\text{ V}$ when $T_{CJ} = 25^{\circ}\text{C}$. The dashed blue lines in Figure 25 show the maximum error guard band due to ADC gain and nonlinearity error. The dashed blue lines in Figure 26 show the corresponding temperature measurement error guard band calculated from the data in Figure 25 using the NIST tables. The dashed red lines in Figure 26 include the guard band for the temperature sensor inaccuracy ($\pm 1^{\circ}\text{C}$), in addition to the device gain and nonlinearity error. Note that the results in Figure 25 and Figure 26 do not account for the thermocouple inaccuracy that must also be considered while designing a thermocouple measurement system.

9.2.3 Application Curves



10 Power-Supply Recommendations

The device requires a single power supply, VDD, to power both the analog and digital circuitry of the device.

10.1 Power-Supply Sequencing

Wait approximately 50 μ s after VDD is stabilized before communicating with the device to allow the power-up reset process to complete.

10.2 Power-Supply Decoupling

Good power-supply decoupling is important to achieve optimum performance. VDD must be decoupled with at least a 0.1- μ F capacitor, as shown in Figure 27. The 0.1- μ F bypass capacitor supplies the momentary bursts of extra current required from the supply when the ADS1018-Q1 is converting. Place the bypass capacitor as close to the power-supply pin of the device as possible using low-impedance connections. For best performance, use multilayer ceramic chip capacitors (MLCCs) that offer low equivalent series resistance (ESR) and inductance (ESL) characteristics for power-supply decoupling purposes. For very sensitive systems, or for systems in harsh noise environments, avoiding the use of vias for connecting the capacitors to the device pins may offer superior noise immunity. The use of multiple vias in parallel lowers the overall inductance and is beneficial for connections to ground planes.

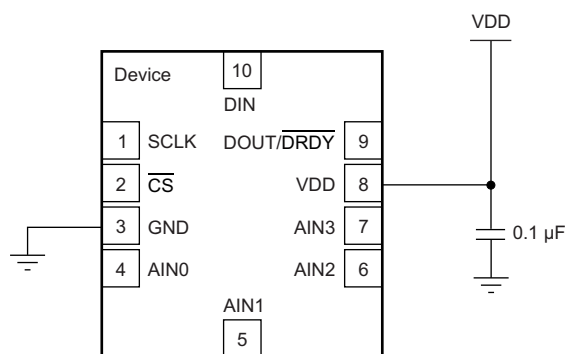


Figure 27. Power Supply Decoupling

11 Layout

11.1 Layout Guidelines

Use best design practices when laying out a printed-circuit-board (PCB) for both analog and digital components. This recommendation generally means that the layout separates analog components [such as ADCs, amplifiers, references, digital-to-analog converters (DACs), and analog muxes] from digital components [such as microcontrollers, complex programmable logic devices (CPLDs), field-programmable gate arrays (FPGAs), radio frequency (RF) transceivers, universal serial bus (USB) transceivers, and switching regulators]. An example of good component placement is shown in Figure 28. Although Figure 28 provides a good example of component placement, the best placement for each application is unique to the geometries, components, and PCB fabrication capabilities employed. That is, there is no single layout that is perfect for every design and careful consideration must always be used when designing with any analog component.

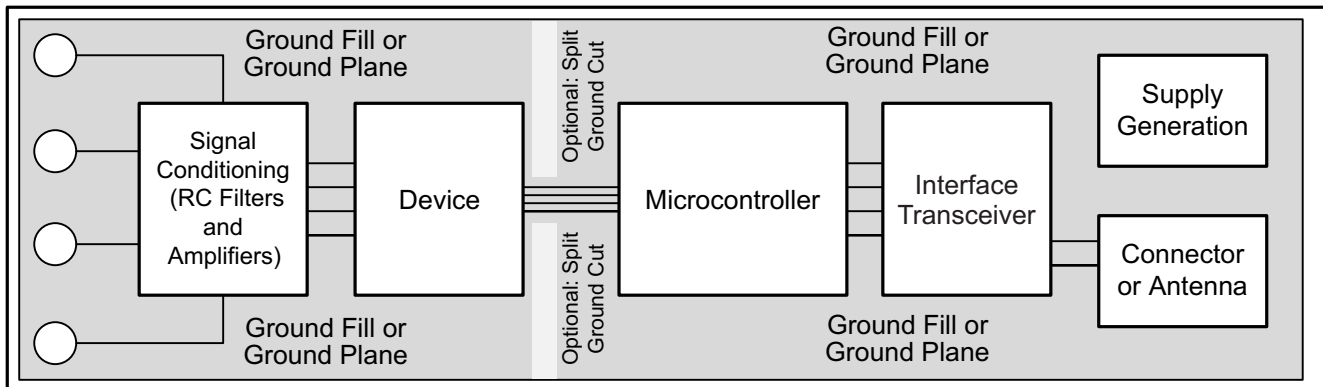


Figure 28. System Component Placement

The use of split analog and digital ground planes is not necessary for improved noise performance (although for thermal isolation this option is a worthwhile consideration). However, the use of a solid ground plane or ground fill in PCB areas with no components is essential for optimum performance. If the system being used employs a split digital and analog ground plane, TI generally recommends that the ground planes be connected together as close to the device as possible. A two-layer board is possible using common grounds for both analog and digital grounds. Additional layers can be added to simplify PCB trace routing. Ground fill may also reduce EMI and RFI issues.

For best system performance, keep digital components, especially RF portions, as far as practically possible from analog circuitry in a given system. Additionally, minimize the distance that digital control traces run through analog areas and avoid placing these traces near sensitive analog components. Digital return currents usually flow through a ground path that is as close to the digital path as possible. If a solid ground connection to a plane is not available, these currents may find paths back to the source that interfere with analog performance. The implications that layout has on the temperature-sensing functions are much more significant than for ADC functions.

Bypass supply pins to ground with a low-ESR ceramic capacitor. The optimum placement of the bypass capacitors is as close as possible to the supply pins. The ground-side connections of the bypass capacitors must be low-impedance connections for optimum performance. The supply current flows through the bypass capacitor terminal first and then to the supply pin to make the bypassing most effective.

Analog inputs with differential connections must have a capacitor placed differentially across the inputs. Use high-quality differential capacitors. The best ceramic-chip capacitors are C0G (NPO), with stable properties and low-noise characteristics. Thermally isolate a copper region around the thermocouple input connections to create a thermally-stable cold junction. Obtaining acceptable performance with alternate layout schemes is possible as long as the above guidelines are followed.

11.2 Layout Example

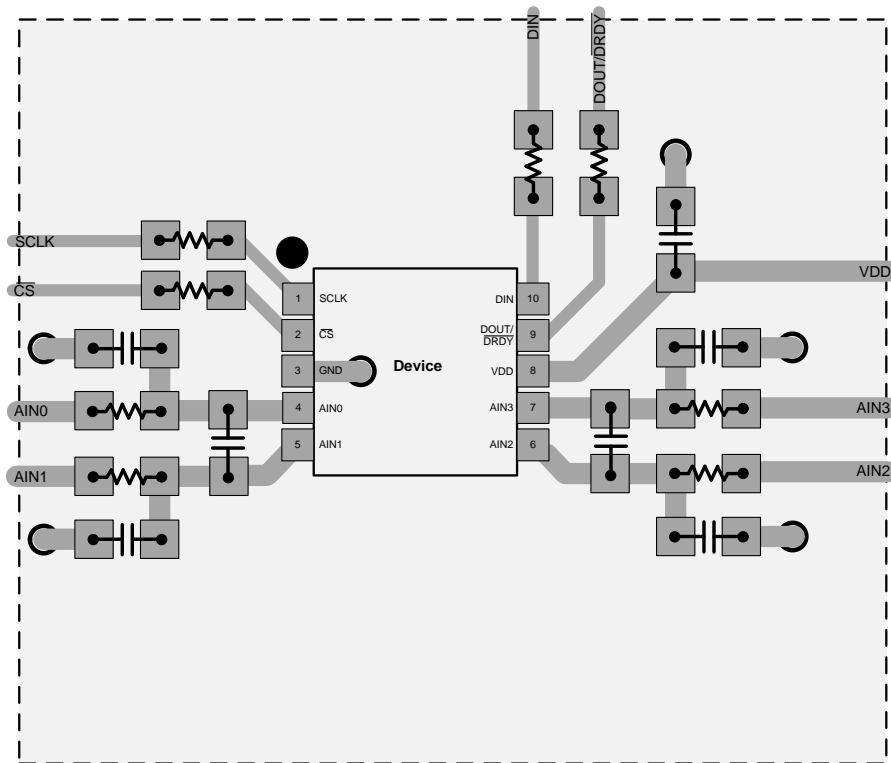


Figure 29. VSSOP Package

12 器件和文档支持

12.1 文档支持

12.1.1 相关文档

- 《使用 ADS1118 进行精密热电偶测量》，[SBAA189](#)
- 《ADS1118EVM 用户指南》，[SBAU184](#)
- 《430BOOST-ADS1118 BoosterPack 用户指南》，[SBAU207](#)
- 《ADS1118 Boosterpack》，[SLYU013](#)
- 《模数转换规范及性能特性术语表》，[SBAA147](#)

12.2 社区资源

下列链接提供到 TI 社区资源的连接。链接的内容由各个分销商“按照原样”提供。这些内容并不构成 TI 技术规范 and 标准且不一定反映 TI 的观点；请见 TI 的[使用条款](#)。

TI E2E™ 在线社区 **TI 工程师 (E2E) 社区**。此社区的创建目的是为了促进工程师之间协作。在 e2e.ti.com 中，您可以咨询问题、共享知识、探索思路，在同领域工程师的帮助下解决问题。

E2E 精密数据转换器论坛 **TI 面向精密数据转换器建立的工程师 (E2E) 社区**。创建该社区旨在促进工程师之间的交流和协作。用户可在该社区中进行实时问答。

12.3 商标

E2E is a trademark of Texas Instruments.

SPI is a trademark of Motorola.

All other trademarks are the property of their respective owners.

12.4 静电放电警告



ESD 可能会损坏该集成电路。德州仪器 (TI) 建议通过适当的预防措施处理所有集成电路。如果不遵守正确的处理措施和安装程序，可能会损坏集成电路。

ESD 的损坏小至导致微小的性能降级，大至整个器件故障。精密的集成电路可能更容易受到损坏，这是因为非常细微的参数更改都可能会导致器件与其发布的规格不相符。

12.5 Glossary

[SLYZ022](#) — *TI Glossary*.

This glossary lists and explains terms, acronyms, and definitions.

13 机械、封装和可订购信息

以下页中包括机械、封装和可订购信息。这些信息是针对指定器件可提供的最新数据。这些数据会在无通知且不对本文档进行修订的情况下发生改变。欲获得该数据表的浏览器版本，请查阅左侧的导航栏。

重要声明

德州仪器(TI)及其下属子公司有权根据 JESD46 最新标准,对所提供的产品和服务进行更正、修改、增强、改进或其它更改,并有权根据 JESD48 最新标准中止提供任何产品和服务。客户在下订单前应获取最新的相关信息,并验证这些信息是否完整且是最新的。所有产品的销售都遵循在订单确认时所提供的TI 销售条款与条件。

TI 保证其所销售的组件的性能符合产品销售时 TI 半导体产品销售条件与条款的适用规范。仅在 TI 保证的范围内,且 TI 认为有必要时才会使用测试或其它质量控制技术。除非适用法律做出了硬性规定,否则没有必要对每种组件的所有参数进行测试。

TI 对应用帮助或客户产品设计不承担任何义务。客户应对其使用 TI 组件的产品和应用自行负责。为尽量减小与客户产品和应用相关的风险,客户应提供充分的设计与操作安全措施。

TI 不对任何 TI 专利权、版权、屏蔽作品权或其它与使用了 TI 组件或服务的组合设备、机器或流程相关的 TI 知识产权中授予的直接或隐含权限作出任何保证或解释。TI 所发布的与第三方产品或服务有关的信息,不能构成从 TI 获得使用这些产品或服务的许可、授权、或认可。使用此类信息可能需要获得第三方的专利权或其它知识产权方面的许可,或是 TI 的专利权或其它知识产权方面的许可。

对于 TI 的产品手册或数据表中 TI 信息的重要部分,仅在没有对内容进行任何篡改且带有相关授权、条件、限制和声明的情况下才允许进行复制。TI 对此类篡改过的文件不承担任何责任或义务。复制第三方的信息可能需要服从额外的限制条件。

在转售 TI 组件或服务时,如果对该组件或服务参数的陈述与 TI 标明的参数相比存在差异或虚假成分,则会失去相关 TI 组件或服务的所有明示或暗示授权,且这是不正当的、欺诈性商业行为。TI 对任何此类虚假陈述均不承担任何责任或义务。

客户认可并同意,尽管任何应用相关信息或支持仍可能由 TI 提供,但他们将独立负责满足与其产品及其在应用中使用的 TI 产品相关的所有法律、法规和安全相关要求。客户声明并同意,他们具备制定与实施安全措施所需的全部专业技术和知识,可预见故障的危险后果、监测故障及其后果、降低有可能造成人身伤害的故障的发生机率并采取适当的补救措施。客户将全额赔偿因在此类安全关键应用中使用任何 TI 组件而对 TI 及其代理造成的任何损失。

在某些场合中,为了推进安全相关应用有可能对 TI 组件进行特别的促销。TI 的目标是利用此类组件帮助客户设计和创立其特有的可满足适用的功能安全性标准和要求的终端产品解决方案。尽管如此,此类组件仍然服从这些条款。

TI 组件未获得用于 FDA Class III (或类似的生命攸关医疗设备)的授权许可,除非各方授权官员已经达成了专门管控此类使用的特别协议。

只有那些 TI 特别注明属于军用等级或“增强型塑料”的 TI 组件才是设计或专门用于军事/航空应用或环境的。购买者认可并同意,对并非指定面向军事或航空航天用途的 TI 组件进行军事或航空航天方面的应用,其风险由客户单独承担,并且由客户独立负责满足与此类使用相关的所有法律和法规要求。

TI 已明确指定符合 ISO/TS16949 要求的产品,这些产品主要用于汽车。在任何情况下,因使用非指定产品而无法达到 ISO/TS16949 要求, TI 不承担任何责任。

| | 产品 | | 应用 |
|---------------|--|--------------|--|
| 数字音频 | www.ti.com.cn/audio | 通信与电信 | www.ti.com.cn/telecom |
| 放大器和线性器件 | www.ti.com.cn/amplifiers | 计算机及周边 | www.ti.com.cn/computer |
| 数据转换器 | www.ti.com.cn/dataconverters | 消费电子 | www.ti.com.cn/consumer-apps |
| DLP® 产品 | www.dlp.com | 能源 | www.ti.com.cn/energy |
| DSP - 数字信号处理器 | www.ti.com.cn/dsp | 工业应用 | www.ti.com.cn/industrial |
| 时钟和计时器 | www.ti.com.cn/clockandtimers | 医疗电子 | www.ti.com.cn/medical |
| 接口 | www.ti.com.cn/interface | 安防应用 | www.ti.com.cn/security |
| 逻辑 | www.ti.com.cn/logic | 汽车电子 | www.ti.com.cn/automotive |
| 电源管理 | www.ti.com.cn/power | 视频和影像 | www.ti.com.cn/video |
| 微控制器 (MCU) | www.ti.com.cn/microcontrollers | | |
| RFID 系统 | www.ti.com.cn/rfidsys | | |
| OMAP应用处理器 | www.ti.com/omap | | |
| 无线连通性 | www.ti.com.cn/wirelessconnectivity | 德州仪器在线技术支持社区 | www.deyisupport.com |

邮寄地址: 上海市浦东新区世纪大道1568号, 中建大厦32楼邮政编码: 200122
Copyright © 2015, 德州仪器半导体技术(上海)有限公司

PACKAGING INFORMATION

| Orderable Device | Status (1) | Package Type | Package Drawing | Pins | Package Qty | Eco Plan (2) | Lead/Ball Finish (6) | MSL Peak Temp (3) | Op Temp (°C) | Device Marking (4/5) | Samples |
|------------------|---------------|--------------|--------------------|------|----------------|----------------------------|-------------------------|----------------------|--------------|-------------------------|----------------|
| ADS1018QDGSRQ1 | ACTIVE | VSSOP | DGS | 10 | 2500 | Green (RoHS & no Sb/Br) | CU NIPDAUAG | Level-2-260C-1 YEAR | -40 to 125 | ZFOV | Samples |

(1) The marketing status values are defined as follows:

ACTIVE: Product device recommended for new designs.

LIFEBUY: TI has announced that the device will be discontinued, and a lifetime-buy period is in effect.

NRND: Not recommended for new designs. Device is in production to support existing customers, but TI does not recommend using this part in a new design.

PREVIEW: Device has been announced but is not in production. Samples may or may not be available.

OBSOLETE: TI has discontinued the production of the device.

(2) Eco Plan - The planned eco-friendly classification: Pb-Free (RoHS), Pb-Free (RoHS Exempt), or Green (RoHS & no Sb/Br) - please check <http://www.ti.com/productcontent> for the latest availability information and additional product content details.

TBD: The Pb-Free/Green conversion plan has not been defined.

Pb-Free (RoHS): TI's terms "Lead-Free" or "Pb-Free" mean semiconductor products that are compatible with the current RoHS requirements for all 6 substances, including the requirement that lead not exceed 0.1% by weight in homogeneous materials. Where designed to be soldered at high temperatures, TI Pb-Free products are suitable for use in specified lead-free processes.

Pb-Free (RoHS Exempt): This component has a RoHS exemption for either 1) lead-based flip-chip solder bumps used between the die and package, or 2) lead-based die adhesive used between the die and leadframe. The component is otherwise considered Pb-Free (RoHS compatible) as defined above.

Green (RoHS & no Sb/Br): TI defines "Green" to mean Pb-Free (RoHS compatible), and free of Bromine (Br) and Antimony (Sb) based flame retardants (Br or Sb do not exceed 0.1% by weight in homogeneous material)

(3) MSL, Peak Temp. - The Moisture Sensitivity Level rating according to the JEDEC industry standard classifications, and peak solder temperature.

(4) There may be additional marking, which relates to the logo, the lot trace code information, or the environmental category on the device.

(5) Multiple Device Markings will be inside parentheses. Only one Device Marking contained in parentheses and separated by a "~" will appear on a device. If a line is indented then it is a continuation of the previous line and the two combined represent the entire Device Marking for that device.

(6) Lead/Ball Finish - Orderable Devices may have multiple material finish options. Finish options are separated by a vertical ruled line. Lead/Ball Finish values may wrap to two lines if the finish value exceeds the maximum column width.

Important Information and Disclaimer: The information provided on this page represents TI's knowledge and belief as of the date that it is provided. TI bases its knowledge and belief on information provided by third parties, and makes no representation or warranty as to the accuracy of such information. Efforts are underway to better integrate information from third parties. TI has taken and continues to take reasonable steps to provide representative and accurate information but may not have conducted destructive testing or chemical analysis on incoming materials and chemicals. TI and TI suppliers consider certain information to be proprietary, and thus CAS numbers and other limited information may not be available for release.

In no event shall TI's liability arising out of such information exceed the total purchase price of the TI part(s) at issue in this document sold by TI to Customer on an annual basis.

TAPE AND REEL INFORMATION

QUADRANT ASSIGNMENTS FOR PIN 1 ORIENTATION IN TAPE


*All dimensions are nominal

| Device | Package Type | Package Drawing | Pins | SPQ | Reel Diameter (mm) | Reel Width W1 (mm) | A0 (mm) | B0 (mm) | K0 (mm) | P1 (mm) | W (mm) | Pin1 Quadrant |
|----------------|--------------|-----------------|------|------|--------------------|--------------------|---------|---------|---------|---------|--------|---------------|
| ADS1018QDGSRQ1 | VSSOP | DGS | 10 | 2500 | 330.0 | 12.4 | 5.3 | 3.4 | 1.4 | 8.0 | 12.0 | Q1 |

TAPE AND REEL BOX DIMENSIONS

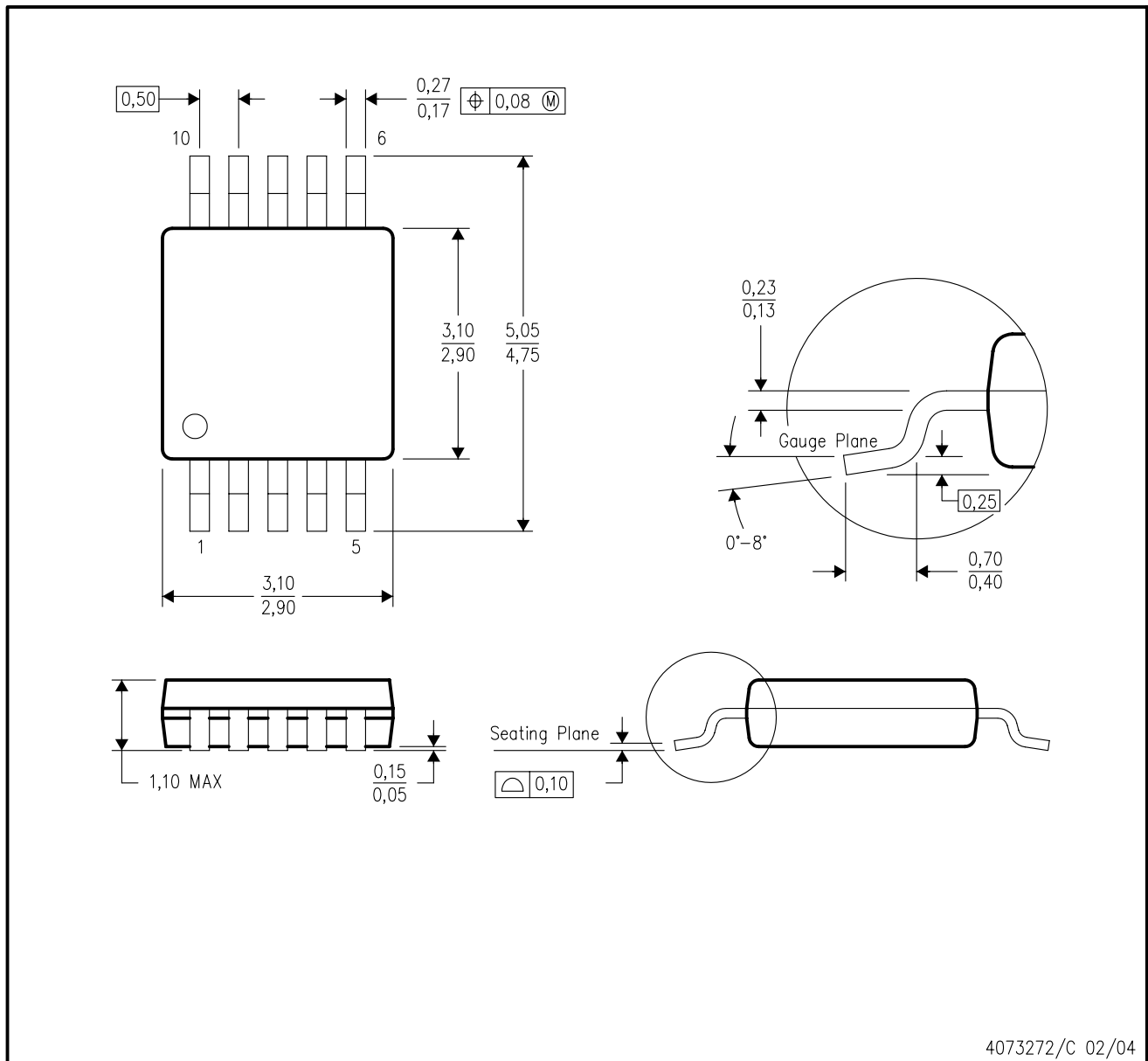


*All dimensions are nominal

| Device | Package Type | Package Drawing | Pins | SPQ | Length (mm) | Width (mm) | Height (mm) |
|----------------|--------------|-----------------|------|------|-------------|------------|-------------|
| ADS1018QDGSRQ1 | VSSOP | DGS | 10 | 2500 | 366.0 | 364.0 | 50.0 |

DGS (S-PDSO-G10)

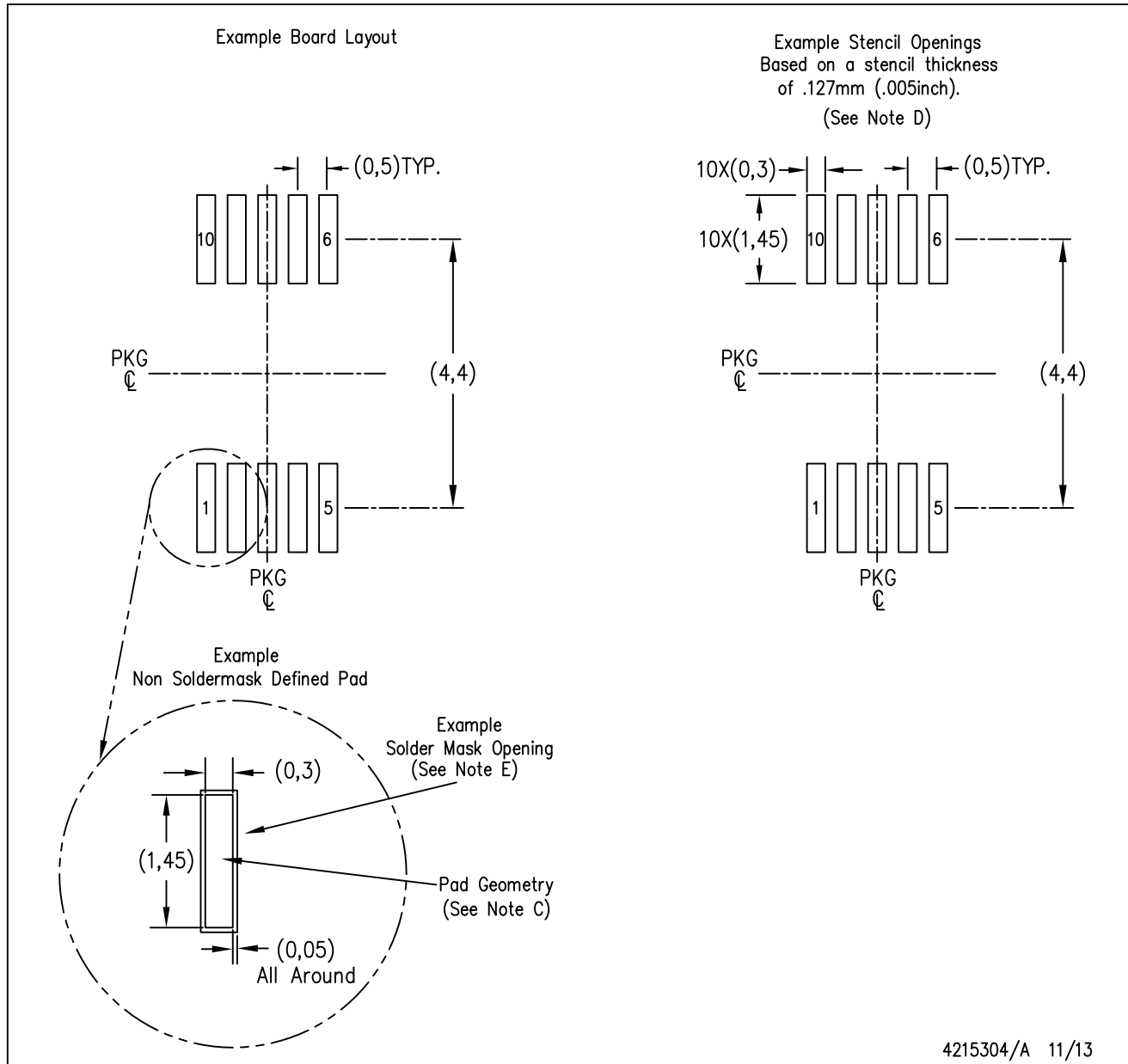
PLASTIC SMALL-OUTLINE PACKAGE



- NOTES:
- A. All linear dimensions are in millimeters.
 - B. This drawing is subject to change without notice.
 - C. Body dimensions do not include mold flash or protrusion.
 - D. Falls within JEDEC MO-187 variation BA.

DGS (S-PDSO-G10)

PLASTIC SMALL OUTLINE PACKAGE



- NOTES:
- A. All linear dimensions are in millimeters.
 - B. This drawing is subject to change without notice.
 - C. Publication IPC-7351 is recommended for alternate designs.
 - D. Laser cutting apertures with trapezoidal walls and also rounding corners will offer better paste release. Customers should contact their board assembly site for stencil design recommendations. Refer to IPC-7525 for other stencil recommendations.
 - E. Customers should contact their board fabrication site for solder mask tolerances between and around signal pads.

重要声明

德州仪器(TI) 及其下属子公司有权根据 JESD46 最新标准, 对所提供的产品和服务进行更正、修改、增强、改进或其它更改, 并有权根据 JESD48 最新标准中止提供任何产品和服务。客户在下订单前应获取最新的相关信息, 并验证这些信息是否完整且是最新的。所有产品的销售都遵循在订单确认时所提供的TI 销售条款与条件。

TI 保证其所销售的组件的性能符合产品销售时 TI 半导体产品销售条件与条款的适用规范。仅在 TI 保证的范围内, 且 TI 认为有必要时才会使用测试或其它质量控制技术。除非适用法律做出了硬性规定, 否则没有必要对每种组件的所有参数进行测试。

TI 对应用帮助或客户产品设计不承担任何义务。客户应对其使用 TI 组件的产品和应用自行负责。为尽量减小与客户产品和应用相关的风险, 客户应提供充分的设计与操作安全措施。

TI 不对任何 TI 专利权、版权、屏蔽作品权或其它与使用了 TI 组件或服务的组合设备、机器或流程相关的 TI 知识产权中授予的直接或间接权限制作出任何保证或解释。TI 所发布的与第三方产品或服务有关的信息, 不能构成从 TI 获得使用这些产品或服务的许可、授权、或认可。使用此类信息可能需要获得第三方的专利权或其它知识产权方面的许可, 或是 TI 的专利权或其它知识产权方面的许可。

对于 TI 的产品手册或数据表中 TI 信息的重要部分, 仅在没有对内容进行任何篡改且带有相关授权、条件、限制和声明的情况下才允许进行复制。TI 对此类篡改过的文件不承担任何责任或义务。复制第三方的信息可能需要服从额外的限制条件。

在转售 TI 组件或服务时, 如果对该组件或服务参数的陈述与 TI 标明的参数相比存在差异或虚假成分, 则会失去相关 TI 组件或服务的所有明示或暗示授权, 且这是不正当的、欺诈性商业行为。TI 对任何此类虚假陈述均不承担任何责任或义务。

客户认可并同意, 尽管任何应用相关信息或支持仍可能由 TI 提供, 但他们将独自负责满足与其产品及其应用中使用 TI 产品相关的所有法律、法规和安全相关要求。客户声明并同意, 他们具备制定与实施安全措施所需的全部专业技术和知识, 可预见故障的危险后果、监测故障及其后果、降低有可能造成人身伤害的故障的发生机率并采取适当的补救措施。客户将全额赔偿因在此类安全关键应用中使用任何 TI 组件而对 TI 及其代理造成的任何损失。

在某些场合中, 为了推进安全相关应用有可能对 TI 组件进行特别的促销。TI 的目标是利用此类组件帮助客户设计和创立其特有的可满足适用的功能安全性标准和要求的终端产品解决方案。尽管如此, 此类组件仍然服从这些条款。

TI 组件未获得用于 FDA Class III (或类似的生命攸关医疗设备) 的授权许可, 除非各方授权官员已经达成了专门管控此类使用的特别协议。

只有那些 TI 特别注明属于军用等级或“增强型塑料”的 TI 组件才是设计或专门用于军事/航空应用或环境的。购买者认可并同意, 对并非指定面向军事或航空航天用途的 TI 组件进行军事或航空航天方面的应用, 其风险由客户单独承担, 并且由客户独自负责满足与此类使用相关的所有法律和法规要求。

TI 已明确指定符合 ISO/TS16949 要求的产品, 这些产品主要用于汽车。在任何情况下, 因使用非指定产品而无法达到 ISO/TS16949 要求, TI 不承担任何责任。

| | 产品 | | 应用 |
|---------------|--|--------------|--|
| 数字音频 | www.ti.com.cn/audio | 通信与电信 | www.ti.com.cn/telecom |
| 放大器和线性器件 | www.ti.com.cn/amplifiers | 计算机及周边 | www.ti.com.cn/computer |
| 数据转换器 | www.ti.com.cn/dataconverters | 消费电子 | www.ti.com.cn/consumer-apps |
| DLP® 产品 | www.dlp.com | 能源 | www.ti.com.cn/energy |
| DSP - 数字信号处理器 | www.ti.com.cn/dsp | 工业应用 | www.ti.com.cn/industrial |
| 时钟和计时器 | www.ti.com.cn/clockandtimers | 医疗电子 | www.ti.com.cn/medical |
| 接口 | www.ti.com.cn/interface | 安防应用 | www.ti.com.cn/security |
| 逻辑 | www.ti.com.cn/logic | 汽车电子 | www.ti.com.cn/automotive |
| 电源管理 | www.ti.com.cn/power | 视频和影像 | www.ti.com.cn/video |
| 微控制器 (MCU) | www.ti.com.cn/microcontrollers | | |
| RFID 系统 | www.ti.com.cn/rfidsys | | |
| OMAP应用处理器 | www.ti.com.cn/omap | | |
| 无线连通性 | www.ti.com.cn/wirelessconnectivity | 德州仪器在线技术支持社区 | www.deyisupport.com |

Mailing Address: Texas Instruments, Post Office Box 655303, Dallas, Texas 75265
Copyright © 2016, Texas Instruments Incorporated