



## Motor Control, Current Measurement 1-Bit, 10MHz, 2nd-Order, Delta-Sigma Modulator

### FEATURES

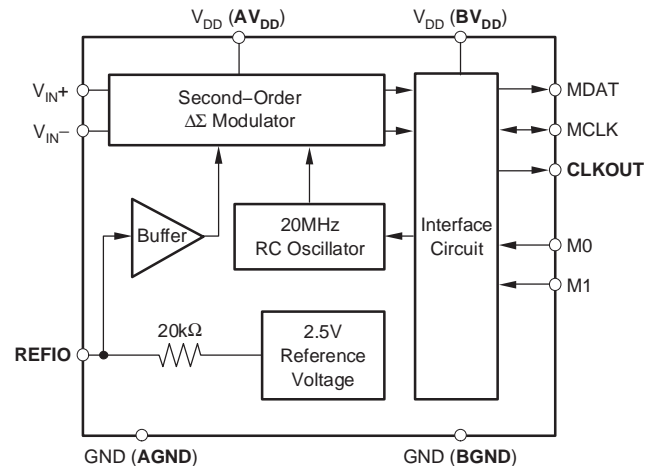
- 16-Bit Resolution
- 14-Bit Linearity
- $\pm 250\text{mV}$  Input Range with Single +5V Supply
- 1% Internal Reference Voltage
- 1% Gain Error
- Flexible Serial Interface with Four Different Modes
- Implemented Twinned Binary Coding as Split-Phase or Manchester Coding for One-Line Interfacing
- Operating Temperature Range:  $-40^{\circ}\text{C}$  to  $+125^{\circ}\text{C}$

### APPLICATIONS

- Motor Control
- Current Measurement
- Industrial Process Control
- Instrumentation
- Smart Transmitters

### DESCRIPTION

The ADS1203 is a delta-sigma ( $\Delta\Sigma$ ) modulator with a 95dB dynamic range, operating from a single +5V supply. The differential inputs are ideal for direct connection to transducers or low-level signals. With the appropriate digital filter and modulator rate, the device can be used to achieve 16-bit analog-to-digital (A/D) conversion with no missing codes. An effective resolution of 14 bits or SNR of 85dB (typical) can be maintained with a digital filter bandwidth of 40kHz at a modulator rate of 10MHz. The ADS1203 is designed for use in medium- to high-resolution measurement applications including current measurements, smart transmitters, and industrial process control. The ADS1203 is available in TSSOP-8 and QFN-16 (3x3) packages.



NOTE: **BOLD** pins are available only in QFN package.



Please be aware that an important notice concerning availability, standard warranty, and use in critical applications of Texas Instruments semiconductor products and disclaimers thereto appears at the end of this data sheet.

All trademarks are the property of their respective owners.



This integrated circuit can be damaged by ESD. Texas Instruments recommends that all integrated circuits be handled with appropriate precautions. Failure to observe proper handling and installation procedures can cause damage.

ESD damage can range from subtle performance degradation to complete device failure. Precision integrated circuits may be more susceptible to damage because very small parametric changes could cause the device not to meet its published specifications.

### ORDERING INFORMATION

For the most current package and ordering information, see the Package Option Addendum located at the end of this data sheet, or see the TI website at [www.ti.com](http://www.ti.com).

### ABSOLUTE MAXIMUM RATINGS(1)

over operating free-air temperature range unless otherwise noted

	ADS1203	UNIT
Supply Voltage, AV <sub>DD</sub> to AGND or V <sub>DD</sub> to GND	-0.3 to 6	V
Supply Voltage, BV <sub>DD</sub> to BGND	-0.3 to 6	V
Analog Input Voltage with Respect to AGND or GND	AGND - 0.3 to AV <sub>DD</sub> + 0.3	V
Reference Input Voltage with Respect to AGND	AGND - 0.3 to AV <sub>DD</sub> + 0.3	V
Digital Input Voltage with Respect to BGND or GND	BGND - 0.3 to BV <sub>DD</sub> + 0.3	V
Ground Voltage Difference, AGND to BGND	±0.3	V
Voltage Differences, BV <sub>DD</sub> to AGND	-0.3 to 6	V
Input Current to Any Pin Except Supply	±10	mA
Power Dissipation	See Dissipation Rating Table	
Operating Virtual Junction Temperature Range, T <sub>J</sub>	-40 to +150	°C
Operating Free-Air Temperature Range, T <sub>A</sub>	-40 to +125	°C
Storage Temperature Range, T <sub>STG</sub>	-65 to +150	°C

(1) Stresses beyond those listed under *Absolute Maximum Ratings* may cause permanent damage to the device. These are stress ratings only, and functional operation of the device at these or any other conditions beyond those indicated under *Recommended Operating Conditions* is not implied. Exposure to absolute-maximum-rated conditions for extended periods may affect device reliability.

### RECOMMENDED OPERATING CONDITIONS

PARAMETER	MIN	NOM	MAX	UNIT
Supply Voltage, AV <sub>DD</sub> to AGND or V <sub>DD</sub> to GND	4.5	5	5.5	V
Supply Voltage, BV <sub>DD</sub> to BGND	Low-Voltage Levels		3.6	V
	5V Logic Levels	4.5	5	5.5
Reference Input Voltage	0.5	2.5	2.6	V
Operating Common-Mode Signal	0		5	V
Analog Inputs	V <sub>IN+</sub> - V <sub>IN-</sub> (TSSOP package)		+250	mV
	V <sub>IN+</sub> - V <sub>IN-</sub> (QFN package)	-0.1 × REFIO		+0.1 × REFIO
External Clock(1)	16	20	24	MHz
Operating Junction Temperature Range, T <sub>J</sub>	-40		+150	°C

(1) With reduced accuracy, clock can go from 1MHz up to 32MHz; see Typical Characteristic curves.

### DISSIPATION RATINGS

PACKAGE	T <sub>A</sub> ≤ +25°C POWER RATING	DERATING FACTOR ABOVE T <sub>A</sub> = +25°C(1)	T <sub>A</sub> = +70°C POWER RATING	T <sub>A</sub> = +85°C POWER RATING	T <sub>A</sub> = +125°C POWER RATING
TSSOP-8	532mW	4.3mW/°C	338mW	274mW	102mW
QFN-16	2540mW	20.4mW/°C	1622mW	1316mW	500mW

(1) This is the inverse of the traditional junction-to-ambient thermal resistance (R<sub>θJA</sub>). Thermal resistances are not production tested and are for informational purposes only.

## ELECTRICAL CHARACTERISTICS

Over recommended operating free-air temperature range at  $-40^{\circ}\text{C}$  to  $+125^{\circ}\text{C}$ ,  $\text{AV}_{\text{DD}} = \text{BV}_{\text{DD}} = +5\text{V}$  or  $\text{V}_{\text{DD}} = +5\text{V}$ ,  $\text{V}_{\text{IN}+} = -250\text{mV}$  to  $+250\text{mV}$ ,  $\text{V}_{\text{IN}-} = 0\text{V}$ , Mode 3, MCLK input = 20MHz, and 16-bit Sinc<sup>3</sup> filter, with OSR = 256, unless otherwise noted.

PARAMETER	TEST CONDITIONS	ADS1203I			UNITS	
		MIN	TYP <sup>(1)</sup>	MAX		
<b>Resolution</b>		16			Bits	
<b>DC Accuracy</b>						
INL	Integral linearity error <sup>(2)</sup>		$\pm 1$	$\pm 4$	LSB	
		$T_A = -40^{\circ}\text{C}$ to $+85^{\circ}\text{C}$			$\pm 3$	LSB
DNL	Differential nonlinearity <sup>(3)</sup>			$\pm 1$	LSB	
V <sub>OS</sub>	Input offset <sup>(4)</sup>		$\pm 220$	$\pm 1000$	$\mu\text{V}$	
TCV <sub>OS</sub>	Input offset drift		$\pm 3.5$	$\pm 8$	$\mu\text{V}/^{\circ}\text{C}$	
G <sub>ERR</sub>	Gain error <sup>(4)</sup>	REFIO = internal 2.5V	$\pm 0.2$	$\pm 1.4$	%	
		REFIO = internal 2.5V, $T_A = -40^{\circ}\text{C}$ to $+85^{\circ}\text{C}$	-1	1	%	
TCG <sub>ERR</sub>	Gain error drift		$\pm 30$		ppm/ $^{\circ}\text{C}$	
		$T_A = -40^{\circ}\text{C}$ to $+85^{\circ}\text{C}$		$\pm 20$		ppm/ $^{\circ}\text{C}$
PSRR	Power-supply rejection ratio	$4.5\text{V} < \text{AV}_{\text{DD}}$ or $\text{V}_{\text{DD}} < 5.5\text{V}$	80		dB	
<b>Analog Input</b>						
FSR	Full-scale differential range	$(\text{V}_{\text{IN}+}) - (\text{V}_{\text{IN}-})$		$\pm 320$	mV	
	Operating common-mode signal <sup>(3)</sup>		-0.1	5	V	
	Input capacitance	Common-mode	3		pF	
	Input leakage current			$\pm 16$	nA	
		$T_A = -40^{\circ}\text{C}$ to $+85^{\circ}\text{C}$		$\pm 1$	nA	
	Differential input resistance	Equivalent	28		k $\Omega$	
	Differential input capacitance		5		pF	
CMRR	Common-mode rejection ratio	At DC	92		dB	
		$\text{V}_{\text{IN}} = 0\text{V}$ to 5V at 50kHz	105		dB	
<b>Internal Clock for Modes 0, 1, and 2</b>						
	Clock frequency		8.7	10	11	MHz
		$T_A = -40^{\circ}\text{C}$ to $+85^{\circ}\text{C}$		9	11	MHz
<b>External Clock for Mode 3</b>						
	Clock frequency <sup>(5)</sup>		16	20	24	MHz

(1) All typical values are at  $T_A = +25^{\circ}\text{C}$ .

(2) Integral nonlinearity is defined as the maximum deviation of the line through the end points of the specified input range of the transfer curve for  $\text{V}_{\text{IN}+} = -250\text{mV}$  to  $+250\text{mV}$ , expressed either as the number of LSBs or as a percent of measured input range (500mV).

(3) Ensured by design.

(4) Maximum values, including temperature drift, are ensured over the full specified temperature range.

(5) With reduced accuracy, the supported external clock frequency range is 1MHz up to 32MHz.

(6) Available only for QFN package.

(7) Applicable for 5.0V nominal supply:  $\text{BV}_{\text{DD}} = 4.5\text{V}$  to  $5.5\text{V}$ .

(8) Applicable for 3.0V nominal supply:  $\text{BV}_{\text{DD}} = 2.7\text{V}$  to  $3.6\text{V}$ .

(9) Measured with CLKOUT pin not loaded.

**ELECTRICAL CHARACTERISTICS (continued)**

Over recommended operating free-air temperature range at  $-40^{\circ}\text{C}$  to  $+125^{\circ}\text{C}$ ,  $\text{AV}_{\text{DD}} = \text{BV}_{\text{DD}} = +5\text{V}$  or  $\text{V}_{\text{DD}} = +5\text{V}$ ,  $\text{V}_{\text{IN}+} = -250\text{mV}$  to  $+250\text{mV}$ ,  $\text{V}_{\text{IN}-} = 0\text{V}$ , Mode 3, MCLK input = 20MHz, and 16-bit Sinc<sup>3</sup> filter, with OSR = 256, unless otherwise noted.

PARAMETER	TEST CONDITIONS	ADS1203I			UNITS	
		MIN	TYP(1)	MAX		
<b>AC Accuracy</b>						
SINAD	Signal-to-noise + distortion	$\text{V}_{\text{IN}} = \pm 250\text{mV}_{\text{PP}}$ at 5kHz	81	85	dB	
		$\text{V}_{\text{IN}} = \pm 250\text{mV}_{\text{PP}}$ at 5kHz, $\text{T}_{\text{A}} = -40^{\circ}\text{C}$ to $+85^{\circ}\text{C}$	82.5		dB	
SNR	Signal-to-noise ratio	$\text{V}_{\text{IN}} = \pm 250\text{mV}_{\text{PP}}$ at 5kHz	81.5	85	dB	
		$\text{V}_{\text{IN}} = \pm 250\text{mV}_{\text{PP}}$ at 5kHz, $\text{T}_{\text{A}} = -40^{\circ}\text{C}$ to $+85^{\circ}\text{C}$	83		dB	
THD	Total harmonic distortion	$\text{V}_{\text{IN}} = \pm 250\text{mV}_{\text{PP}}$ at 5kHz		-95	-87	dB
		$\text{V}_{\text{IN}} = \pm 250\text{mV}_{\text{PP}}$ at 5kHz, $\text{T}_{\text{A}} = -40^{\circ}\text{C}$ to $+85^{\circ}\text{C}$			-88	dB
SFDR	Spurious-free dynamic range	$\text{V}_{\text{IN}} = \pm 250\text{mV}_{\text{PP}}$ at 5kHz	88	95	dB	
		$\text{V}_{\text{IN}} = \pm 250\text{mV}_{\text{PP}}$ at 5kHz, $\text{T}_{\text{A}} = -40^{\circ}\text{C}$ to $+85^{\circ}\text{C}$	90		dB	
<b>Voltage Reference Output(6)</b>						
$\text{V}_{\text{OUT}}$	Reference voltage output		2.440	2.5	2.560	V
$\text{dV}_{\text{OUT}}/\text{dT}$	Reference voltage temperature drift			$\pm 30$		ppm/ $^{\circ}\text{C}$
		$\text{T}_{\text{A}} = -40^{\circ}\text{C}$ to $+85^{\circ}\text{C}$		$\pm 20$		ppm/ $^{\circ}\text{C}$
	Output voltage noise	$f = 0.1\text{Hz}$ to $10\text{Hz}$ , $\text{C}_{\text{L}} = 10\mu\text{F}$		10		$\mu\text{V}_{\text{rms}}$
		$f = 10\text{Hz}$ to $10\text{kHz}$ , $\text{C}_{\text{L}} = 10\mu\text{F}$		12		$\mu\text{V}_{\text{rms}}$
PSRR	Power-supply rejection ratio			60		dB
$\text{I}_{\text{OUT}}$	Output current			10		$\mu\text{A}$
$\text{I}_{\text{SC}}$	Short-circuit current			0.5		mA
	Turn-on settling time	To 0.1% at $\text{C}_{\text{L}} = 0$		100		$\mu\text{s}$
<b>Voltage Reference Input(6)</b>						
$\text{V}_{\text{IN}}$	Reference voltage input		0.5	2.5	2.6	V
	Reference input resistance			20		k $\Omega$
	Reference input capacitance			5		pF
	Reference input current				1	$\mu\text{A}$
<b>Digital Inputs(7)</b>						
	Logic family		CMOS with Schmitt Trigger			
$\text{V}_{\text{IH}}$	High-level input voltage		$0.7 \times \text{BV}_{\text{DD}}$	$\text{BV}_{\text{DD}} + 0.3$		V
$\text{V}_{\text{IL}}$	Low-level input voltage		-0.3	$0.3 \times \text{BV}_{\text{DD}}$		V
$\text{I}_{\text{IN}}$	Input current	$\text{V}_{\text{IN}} = \text{BV}_{\text{DD}}$ or GND		$\pm 50$		nA
$\text{C}_{\text{I}}$	Input capacitance			5		pF
<b>Digital Outputs(7)</b>						
	Logic family		CMOS			
$\text{V}_{\text{OH}}$	High-level output voltage	$\text{BV}_{\text{DD}} = 4.5\text{V}$ , $\text{I}_{\text{OH}} = -100\mu\text{A}$	4.44			V
$\text{V}_{\text{OL}}$	Low-level output voltage	$\text{BV}_{\text{DD}} = 4.5\text{V}$ , $\text{I}_{\text{OL}} = +100\mu\text{A}$			0.5	V
$\text{C}_{\text{L}}$	Load capacitance				30	pF
	Data format		Bit Stream			

- (1) All typical values are at  $\text{T}_{\text{A}} = +25^{\circ}\text{C}$ .
- (2) Integral nonlinearity is defined as the maximum deviation of the line through the end points of the specified input range of the transfer curve for  $\text{V}_{\text{IN}+} = -250\text{mV}$  to  $+250\text{mV}$ , expressed either as the number of LSBs or as a percent of measured input range (500mV).
- (3) Ensured by design.
- (4) Maximum values, including temperature drift, are ensured over the full specified temperature range.
- (5) With reduced accuracy, the supported external clock frequency range is 1MHz up to 32MHz.
- (6) Available only for QFN package.
- (7) Applicable for 5.0V nominal supply:  $\text{BV}_{\text{DD}} = 4.5\text{V}$  to  $5.5\text{V}$ .
- (8) Applicable for 3.0V nominal supply:  $\text{BV}_{\text{DD}} = 2.7\text{V}$  to  $3.6\text{V}$ .
- (9) Measured with CLKOUT pin not loaded.

## ELECTRICAL CHARACTERISTICS (continued)

Over recommended operating free-air temperature range at  $-40^{\circ}\text{C}$  to  $+125^{\circ}\text{C}$ ,  $\text{AV}_{\text{DD}} = \text{BV}_{\text{DD}} = +5\text{V}$  or  $\text{V}_{\text{DD}} = +5\text{V}$ ,  $\text{V}_{\text{IN}+} = -250\text{mV}$  to  $+250\text{mV}$ ,  $\text{V}_{\text{IN}-} = 0\text{V}$ , Mode 3, MCLK input = 20MHz, and 16-bit Sinc<sup>3</sup> filter, with OSR = 256, unless otherwise noted.

PARAMETER	TEST CONDITIONS	ADS1203I			UNITS
		MIN	TYP(1)	MAX	
<b>Digital Inputs(6)(8)</b>					
Logic family		LVCMOS			
$\text{V}_{\text{IH}}$	High-level input Voltage	$\text{BV}_{\text{DD}} = 3.6\text{V}$	2	$\text{BV}_{\text{DD}}+0.3$	V
$\text{V}_{\text{IL}}$	Low-level input voltage	$\text{BV}_{\text{DD}} = 2.7\text{V}$	-0.3	0.8	V
$\text{I}_{\text{IN}}$	Input current	$\text{V}_{\text{I}} = \text{BV}_{\text{DD}}$ or GND		$\pm 50$	nA
$\text{C}_{\text{I}}$	Input capacitance		5		pF
<b>Digital Outputs(6)(8)</b>					
Logic family		LVCMOS			
$\text{V}_{\text{OH}}$	High-level output voltage	$\text{BV}_{\text{DD}} = 2.7\text{V}$ , $\text{I}_{\text{OH}} = -100\mu\text{A}$	$\text{BV}_{\text{DD}}-0.2$		V
$\text{V}_{\text{OL}}$	Low-level output voltage	$\text{BV}_{\text{DD}} = 2.7\text{V}$ , $\text{I}_{\text{OL}} = +100\mu\text{A}$		0.2	V
$\text{C}_{\text{L}}$	Load capacitance			30	pF
Data format		Bit Stream			
<b>Power Supply</b>					
$\text{V}_{\text{DD}}$	Supply voltage		4.5	5.5	V
$\text{AV}_{\text{DD}}(6)$	Analog supply voltage		4.5	5.5	V
$\text{BV}_{\text{DD}}(6)$	Buffer I/O supply voltage	Low-voltage levels	2.7	3.6	V
		5V logic levels	4.5	5.5	V
$\text{I}_{\text{DD}}$	Supply current	Mode 0	8.4	10.5	mA
		Mode 3	6.7	8.5	mA
$\text{AI}_{\text{DD}}(6)$	Analog operating supply current	Mode 0	6.2	7.5	mA
		Mode 3	5.9	6.9	mA
$\text{BI}_{\text{DD}}(6)$	Buffer I/O operating supply current	$\text{BV}_{\text{DD}} = 3\text{V}$ , Mode 0	2.2	2.3	mA
		$\text{BV}_{\text{DD}} = 3\text{V}$ , Mode 3(9)	0.8	0.9	mA
Power dissipation		Mode 0	42	49	mW
		Mode 3(9)	33.5	39	mW

(1) All typical values are at  $T_{\text{A}} = +25^{\circ}\text{C}$ .

(2) Integral nonlinearity is defined as the maximum deviation of the line through the end points of the specified input range of the transfer curve for  $\text{V}_{\text{IN}+} = -250\text{mV}$  to  $+250\text{mV}$ , expressed either as the number of LSBs or as a percent of measured input range (500mV).

(3) Ensured by design.

(4) Maximum values, including temperature drift, are ensured over the full specified temperature range.

(5) With reduced accuracy, the supported external clock frequency range is 1MHz up to 32MHz.

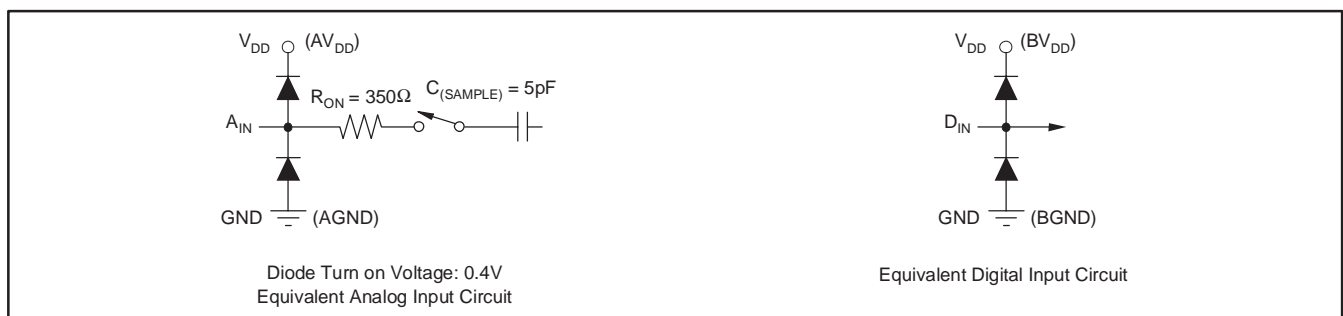
(6) Available only for QFN package.

(7) Applicable for 5.0V nominal supply:  $\text{BV}_{\text{DD}} = 4.5\text{V}$  to  $5.5\text{V}$ .

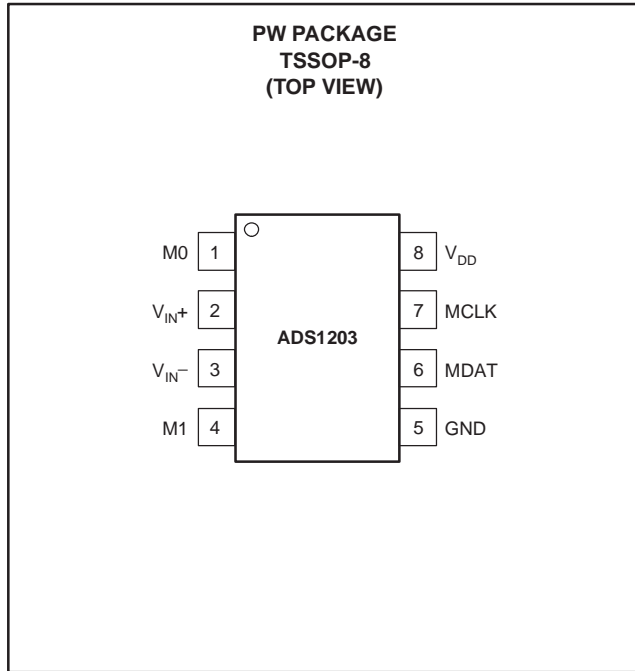
(8) Applicable for 3.0V nominal supply:  $\text{BV}_{\text{DD}} = 2.7\text{V}$  to  $3.6\text{V}$ .

(9) Measured with CLKOUT pin not loaded.

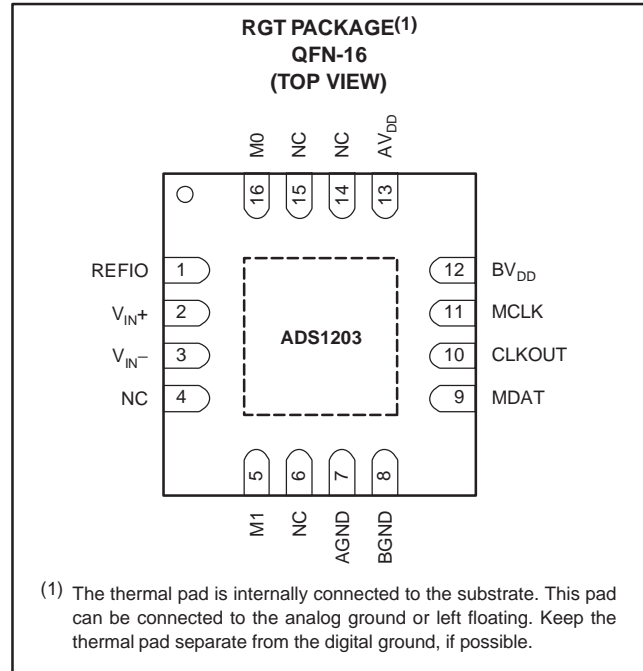
## EQUIVALENT INPUT CIRCUIT



**PIN ASSIGNMENTS: PW (TSSOP) PACKAGE**



**PIN ASSIGNMENTS: RGT (QFN) PACKAGE**



(1) The thermal pad is internally connected to the substrate. This pad can be connected to the analog ground or left floating. Keep the thermal pad separate from the digital ground, if possible.

**Terminal Functions: PW (TSSOP) Package**

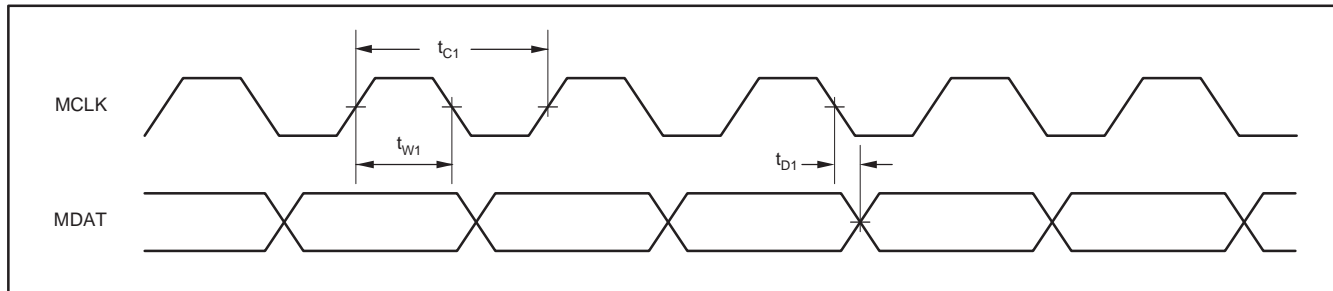
TERMINAL NAME	NO.	I/O	DESCRIPTION
M0	1	I	Mode input
V <sub>IN+</sub>	2	I	Noninverting analog input
V <sub>IN-</sub>	3	I	Inverting analog input
M1	4	I	Mode input
GND	5		Power supply ground
MDAT	6	O	Modulator data output
MCLK	7	I/O	Modulator clock input or output
V <sub>DD</sub>	8		Power supply: +5V nominal

NOTE: For the TSSOP package, BGND and AGND are internally connected to the GND pin. Additionally, the AV<sub>DD</sub> and BV<sub>DD</sub> pins are connected to V<sub>DD</sub>.

**Terminal Functions: RGT (QFN) Package**

TERMINAL NAME	NO.	I/O	DESCRIPTION
REFIO	1	I/O	Reference voltage input/output
V <sub>IN+</sub>	2	I	Noninverting analog input
V <sub>IN-</sub>	3	I	Inverting analog input
NC	4, 6, 14, 15	I	Not connected
M1	5	I	Mode input
AGND	7		Analog power-supply ground
BGND	8		Interface power-supply ground
MDAT	9	O	Modulator data output
CLKOUT	10	O	Modulator clock output (Mode 3 only)
MCLK	11	I/O	Modulator clock input or output
BV <sub>DD</sub>	12		Interface power supply
AV <sub>DD</sub>	13		Analog power supply
M0	16		Mode input

**PARAMETER MEASUREMENT INFORMATION**



**Figure 1. Mode 0 Operation**

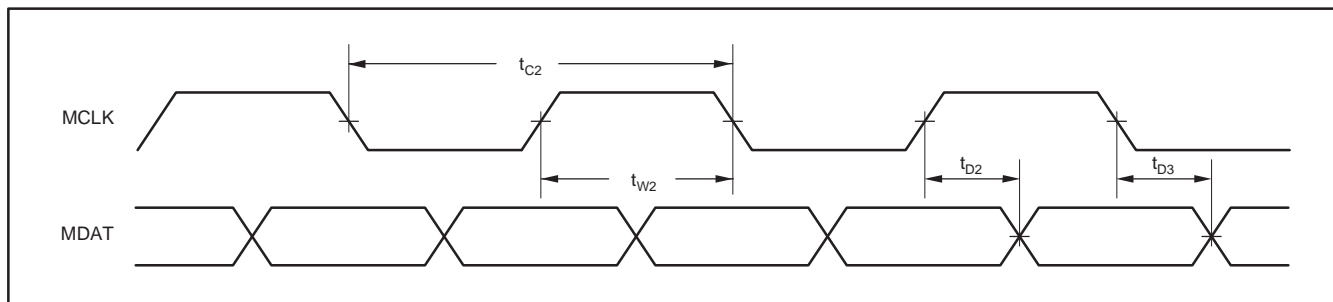
**TIMING CHARACTERISTICS: MODE 0**

Over recommended operating free-air temperature range at  $-40^{\circ}\text{C}$  to  $+125^{\circ}\text{C}$ ,  $\text{AV}_{\text{DD}} = \text{BV}_{\text{DD}} = +5\text{V}^{(1)}$  or  $\text{AV}_{\text{DD}} = +5\text{V}$ ,  $\text{BV}_{\text{DD}} = +3\text{V}^{(2)}$  or  $\text{V}_{\text{DD}} = +5\text{V}^{(1)}$ , unless otherwise noted.

PARAMETER	MODE	MIN	MAX	UNIT
$t_{\text{C1}}$ Clock period	0	91	111	ns
$t_{\text{W1}}$ Clock high time	0	$(t_{\text{C1}}/2) - 5$	$(t_{\text{C1}}/2) + 5$	ns
$t_{\text{D1}}$ Data delay after falling edge of clock	0	-2	2	ns

(1) Applicable for 5.0V nominal supply:  $\text{BV}_{\text{DD}}(\text{min}) = 4.5\text{V}$  and  $\text{BV}_{\text{DD}}(\text{max}) = 5.5\text{V}$ .

(2) Only for QFN package. Applicable for 3.0V nominal supply:  $\text{BV}_{\text{DD}}(\text{min}) = 2.7\text{V}$  and  $\text{BV}_{\text{DD}}(\text{max}) = 3.6\text{V}$ .



**Figure 2. Mode 1 Operation**

**TIMING CHARACTERISTICS: MODE 1**

Over recommended operating free-air temperature range at  $-40^{\circ}\text{C}$  to  $+125^{\circ}\text{C}$ ,  $\text{AV}_{\text{DD}} = \text{BV}_{\text{DD}} = +5\text{V}^{(1)}$  or  $\text{AV}_{\text{DD}} = +5\text{V}$ ,  $\text{BV}_{\text{DD}} = +3\text{V}^{(2)}$  or  $\text{V}_{\text{DD}} = +5\text{V}^{(1)}$ , unless otherwise noted.

PARAMETER	MODE	MIN	MAX	UNIT
$t_{\text{C2}}$ Clock period	1	182	222	ns
$t_{\text{W2}}$ Clock high time	1	$(t_{\text{C2}}/2) - 5$	$(t_{\text{C2}}/2) + 5$	ns
$t_{\text{D2}}$ Data delay after rising edge of clock	1	$(t_{\text{W2}}/2) - 2$	$(t_{\text{W2}}/2) + 2$	ns
$t_{\text{D3}}$ Data delay after falling edge of clock	1	$(t_{\text{W2}}/2) - 2$	$(t_{\text{W2}}/2) + 2$	ns

(1) Applicable for 5.0V nominal supply:  $\text{BV}_{\text{DD}}(\text{min}) = 4.5\text{V}$  and  $\text{BV}_{\text{DD}}(\text{max}) = 5.5\text{V}$ .

(2) Only for QFN package. Applicable for 3.0V nominal supply:  $\text{BV}_{\text{DD}}(\text{min}) = 2.7\text{V}$  and  $\text{BV}_{\text{DD}}(\text{max}) = 3.6\text{V}$ .

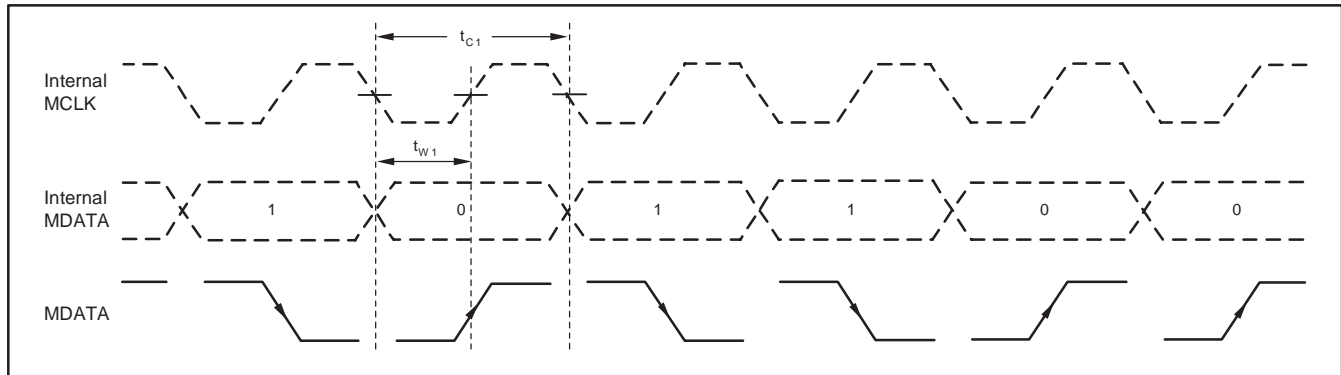


Figure 3. Mode 2 Operation

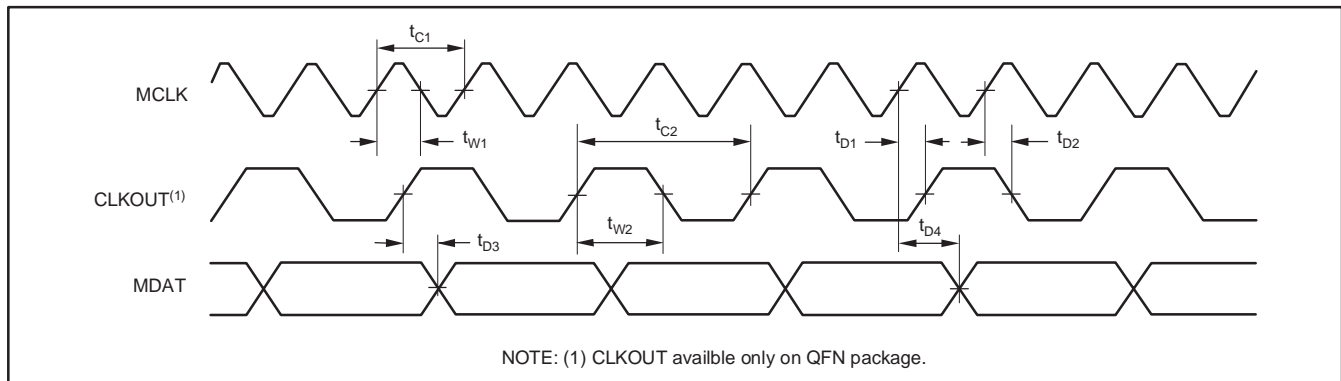
**TIMING CHARACTERISTICS: MODE 2**

Over recommended operating free-air temperature range at  $-40^{\circ}\text{C}$  to  $+125^{\circ}\text{C}$ ,  $\text{AV}_{\text{DD}} = \text{BV}_{\text{DD}} = +5\text{V}^{(1)}$  or  $\text{AV}_{\text{DD}} = +5\text{V}$ ,  $\text{BV}_{\text{DD}} = +3\text{V}^{(2)}$  or  $\text{V}_{\text{DD}} = +5\text{V}^{(1)}$ , unless otherwise noted.

PARAMETER	MODE	MIN	MAX	UNIT
$t_{\text{C1}}$ Clock period	2	91	111	ns
$t_{\text{W1}}$ Clock high time	2	$(t_{\text{C1}}/2) - 5$	$(t_{\text{C1}}/2) + 5$	ns

(1) Applicable for 5.0V nominal supply:  $\text{BV}_{\text{DD}}$  (min) = 4.5V and  $\text{BV}_{\text{DD}}$  (max) = 5.5V.

(2) Only for QFN package. Applicable for 3.0V nominal supply:  $\text{BV}_{\text{DD}}$  (min) = 2.7V and  $\text{BV}_{\text{DD}}$  (max) = 3.6V.



NOTE: (1) CLKOUT available only on QFN package.

Figure 4. Mode 3 Operation

**TIMING CHARACTERISTICS: MODE 3**

Over recommended operating free-air temperature range at  $-40^{\circ}\text{C}$  to  $+125^{\circ}\text{C}$ ,  $\text{AV}_{\text{DD}} = \text{BV}_{\text{DD}} = +5\text{V}^{(1)}$  or  $\text{AV}_{\text{DD}} = +5\text{V}$ ,  $\text{BV}_{\text{DD}} = +3\text{V}^{(2)}$  or  $\text{V}_{\text{DD}} = +5\text{V}^{(1)}$ , unless otherwise noted.

PARAMETER	MIN	MAX	UNIT
$t_{\text{C1}}$ MCLK period	41.6	1000	ns
$t_{\text{W1}}$ MCLK high time	10	$t_{\text{C1}} - 10$	ns
$t_{\text{C2}}$ CLKOUT period	$2 \times t_{\text{C1}}$	$2 \times t_{\text{C1}}$	ns
$t_{\text{W2}}$ CLKOUT high time	$(t_{\text{C2}}/2) - 5$	$(t_{\text{C2}}/2) + 5$	ns
$t_{\text{D1}}$ CLKOUT rising edge delay after MCLK rising edge	0	10	ns
$t_{\text{D2}}$ CLKOUT falling edge delay after MCLK rising edge	0	10	ns
$t_{\text{D3}}$ Data valid delay after rising edge of CLKOUT	-2	+2	ns
$t_{\text{D4}}$ Data valid delay after rising edge of MCLK	0	10	ns

NOTE: Input signal is specified with  $t_{\text{R}} = t_{\text{F}} = 5\text{ns}$  (10% to 90% of  $\text{BV}_{\text{DD}}$  or  $\text{V}_{\text{DD}}$ ) and timed from a voltage level of  $(\text{V}_{\text{IL}} + \text{V}_{\text{IH}})/2$ . See timing diagram.

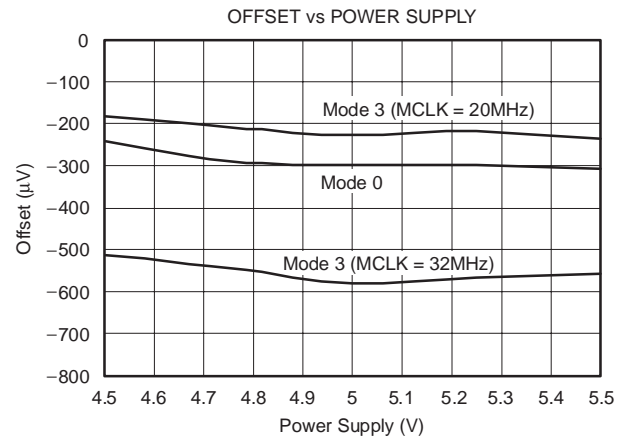
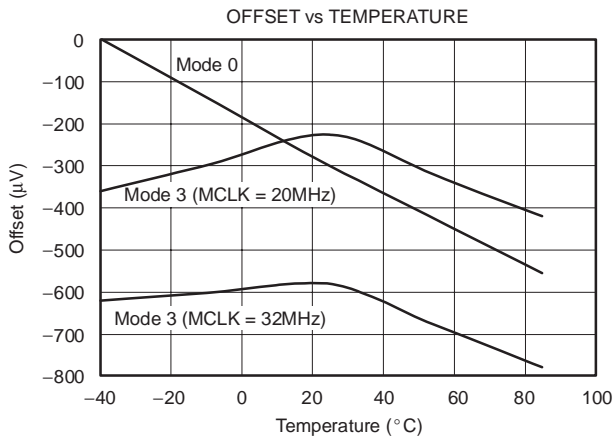
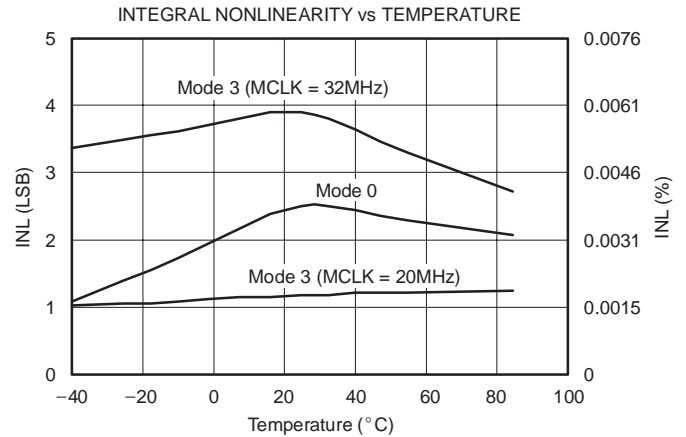
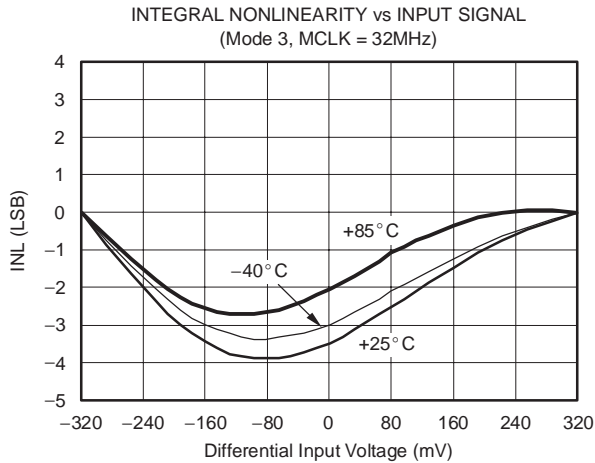
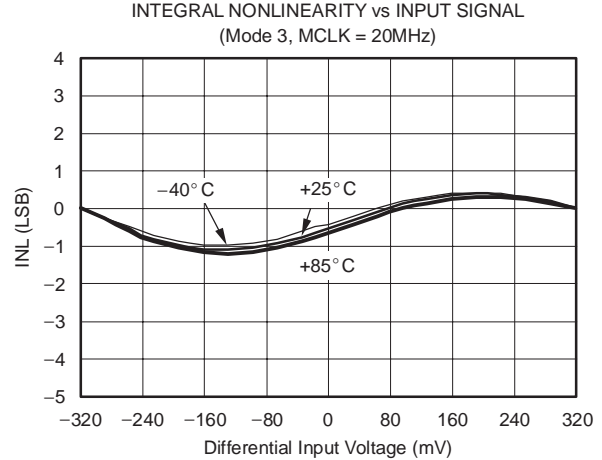
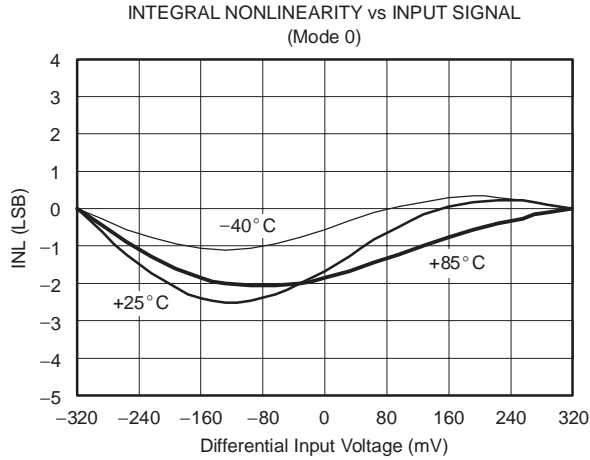
(1) Applicable for 5.0V nominal supply:  $\text{BV}_{\text{DD}}$  (min) = 4.5V and  $\text{BV}_{\text{DD}}$  (max) = 5.5V.

(2) Only for QFN package. Applicable for 3.0V nominal supply:  $\text{BV}_{\text{DD}}$  (min) = 2.7V and  $\text{BV}_{\text{DD}}$  (max) = 3.6V.



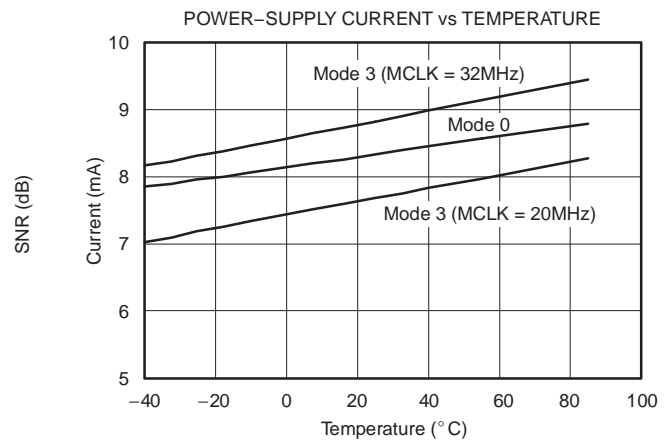
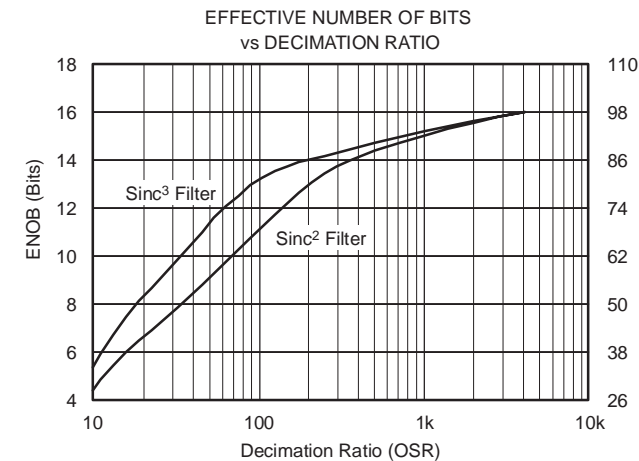
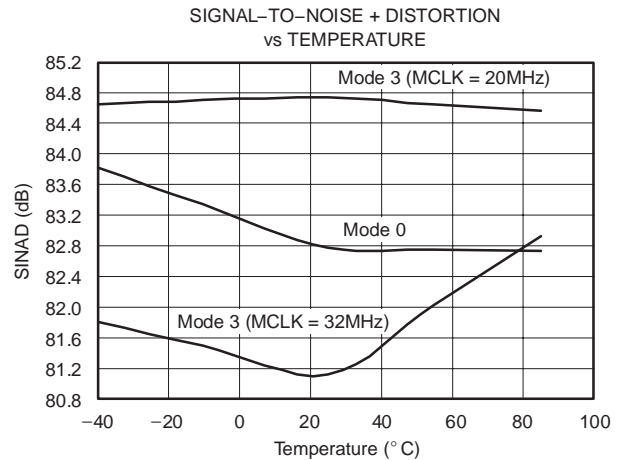
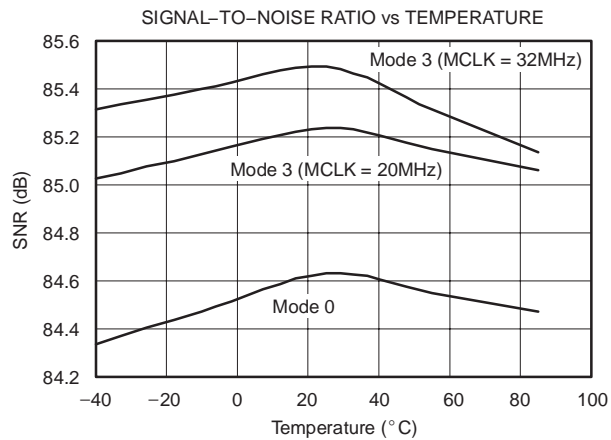
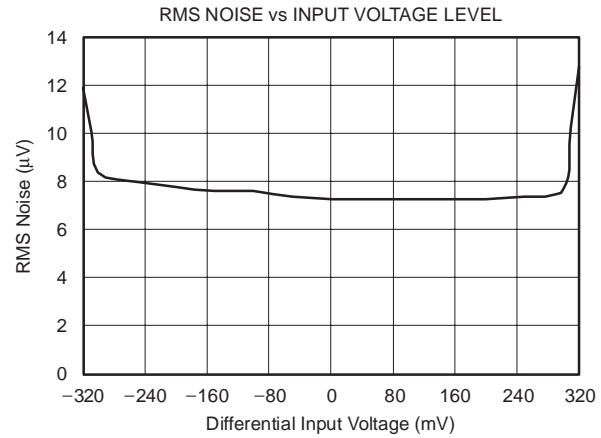
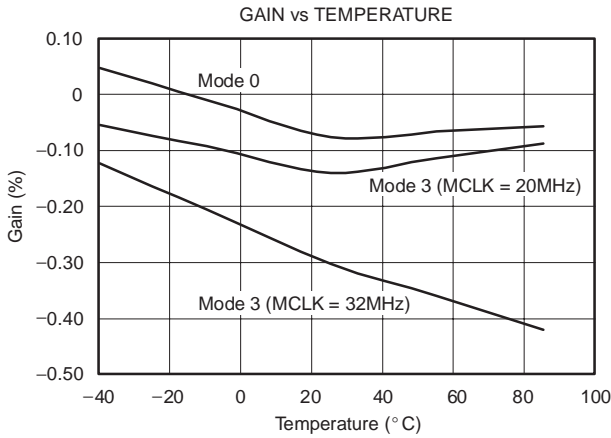
## TYPICAL CHARACTERISTICS

$V_{DD} = BV_{DD} = +5V$  or  $V_{DD} = +5V$ ,  $V_{IN+} = -250mV$  to  $+250mV$ ,  $V_{IN-} = 0V$ , MCLK input = 20MHz, and 16-bit Sinc<sup>3</sup> filter, with OSR = 256, unless otherwise noted.



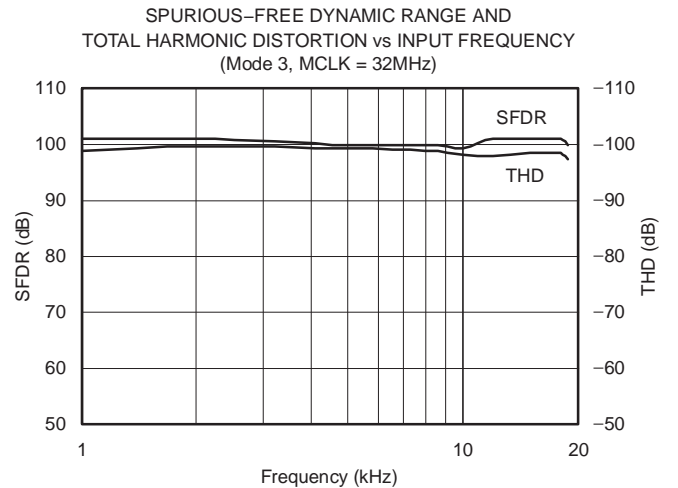
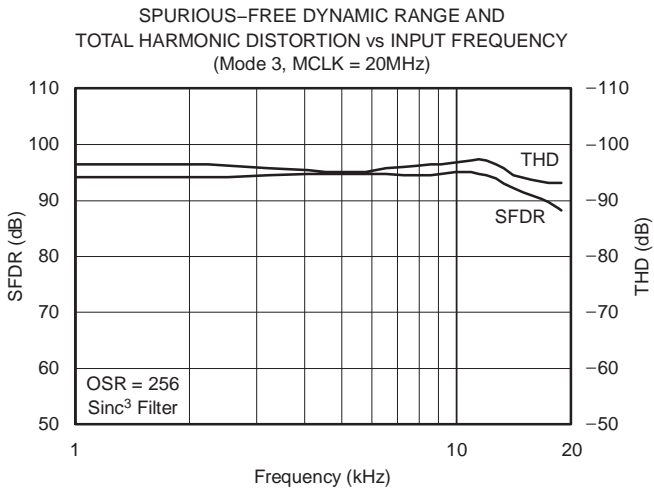
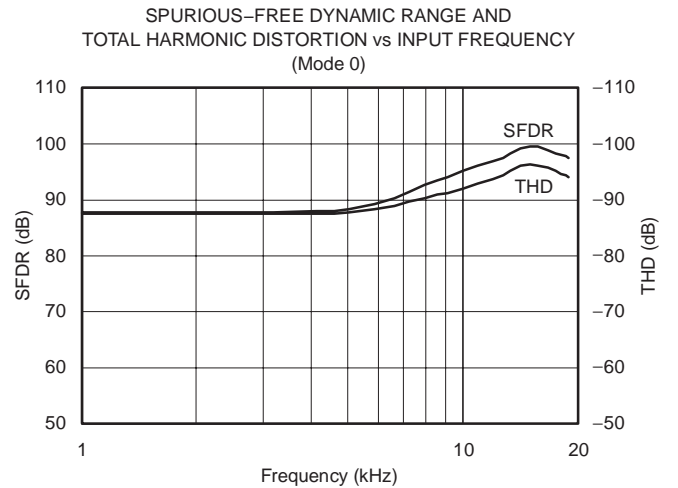
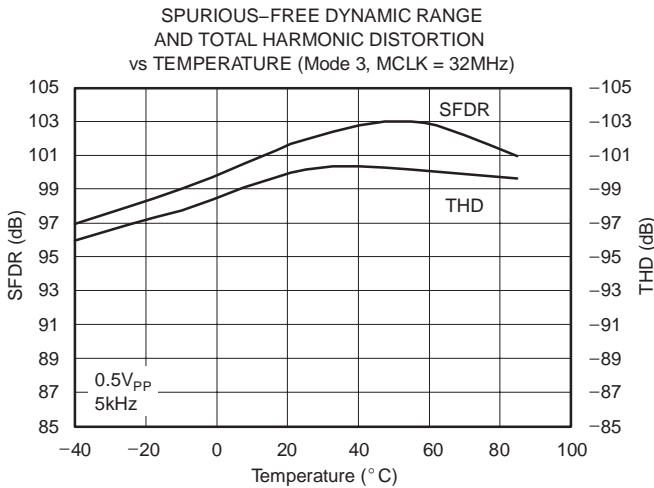
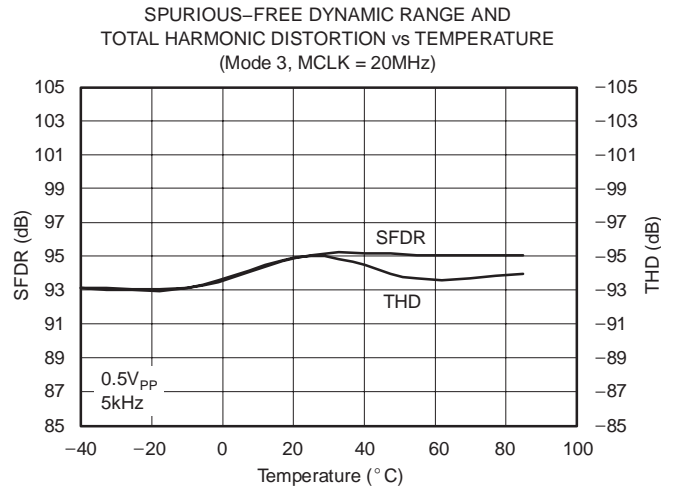
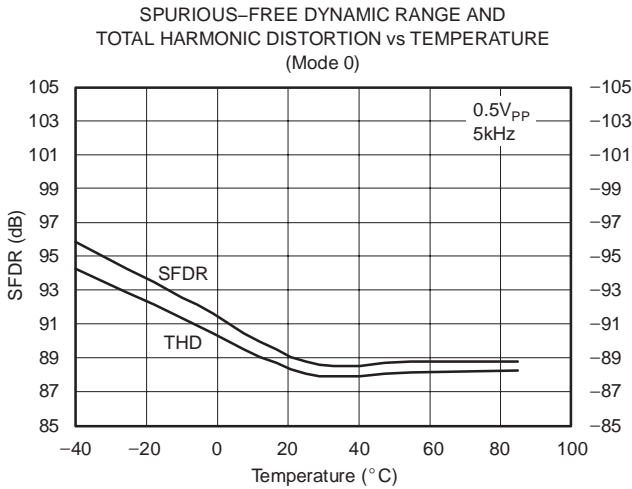
**TYPICAL CHARACTERISTICS (continued)**

$V_{DD} = BV_{DD} = +5V$  or  $V_{DD} = +5V$ ,  $V_{IN+} = -250mV$  to  $+250mV$ ,  $V_{IN-} = 0V$ , MCLK input = 20MHz, and 16-bit Sinc<sup>3</sup> filter, with OSR = 256, unless otherwise noted.



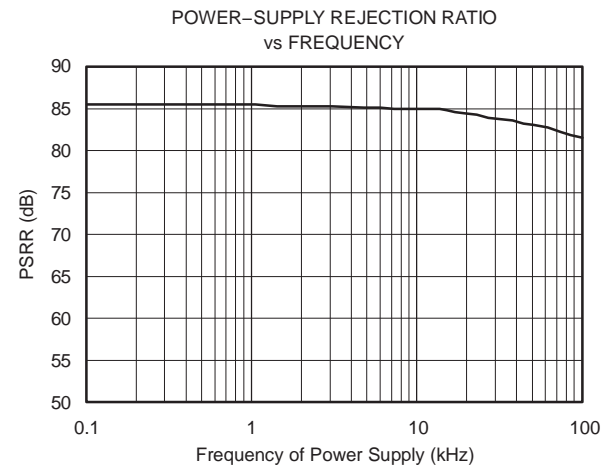
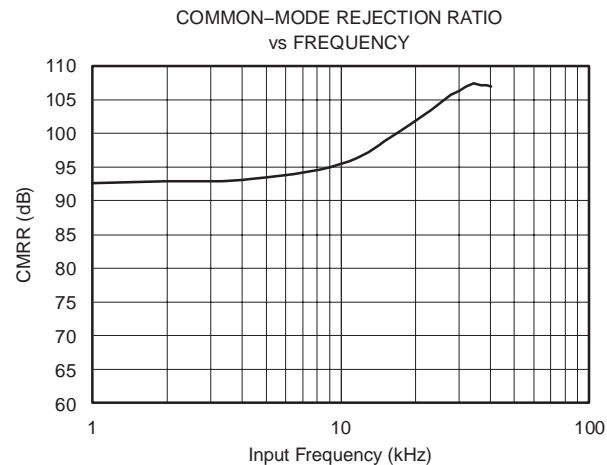
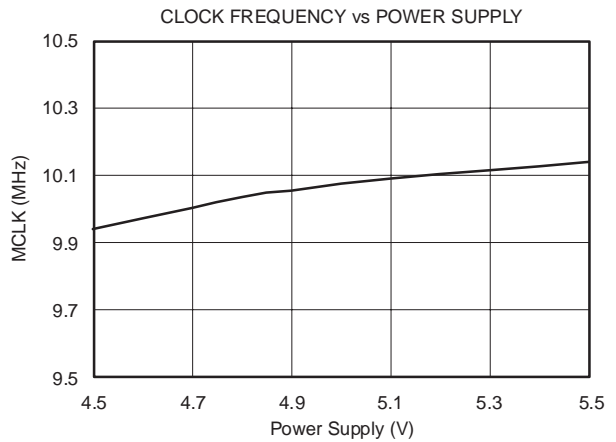
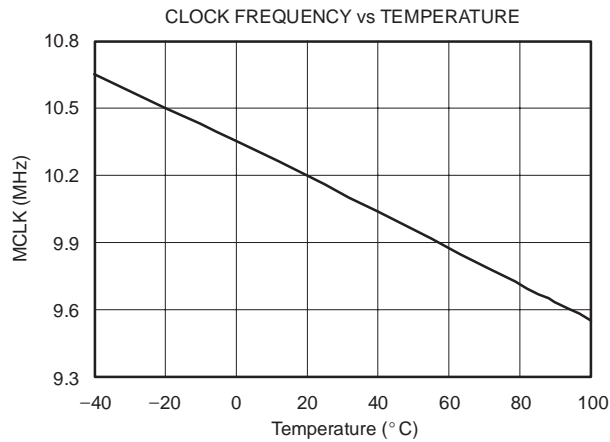
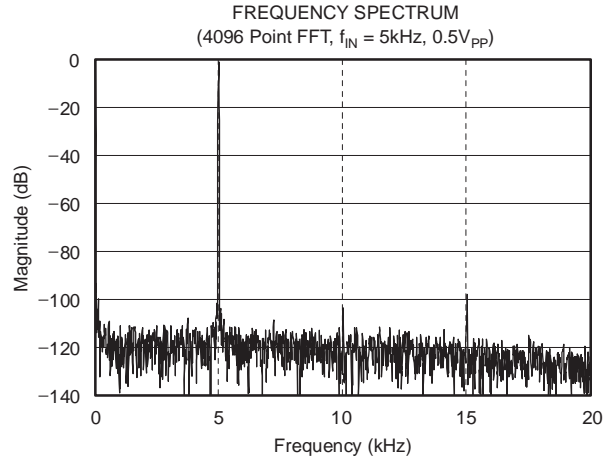
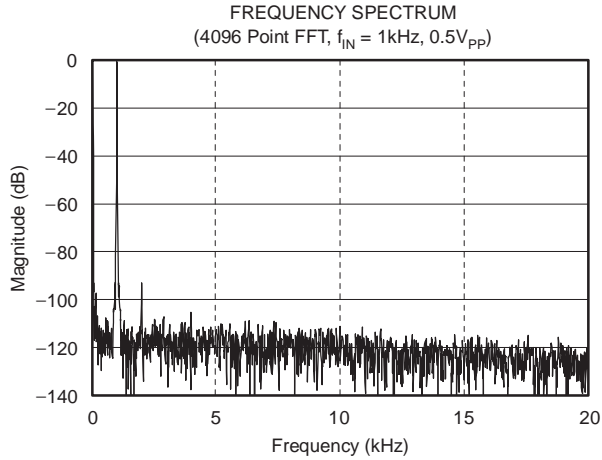
**TYPICAL CHARACTERISTICS (continued)**

$V_{DD} = B_{VDD} = +5V$  or  $V_{DD} = +5V$ ,  $V_{IN+} = -250mV$  to  $+250mV$ ,  $V_{IN-} = 0V$ , MCLK input = 20MHz, and 16-bit Sinc<sup>3</sup> filter, with OSR = 256, unless otherwise noted.



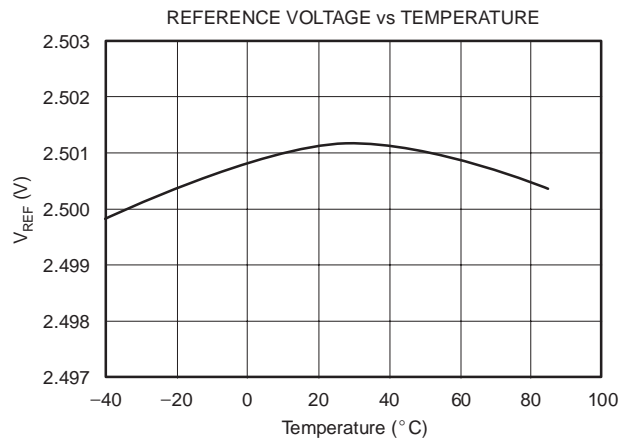
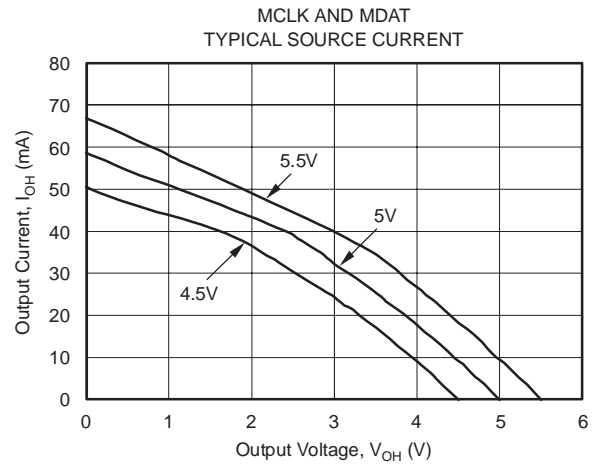
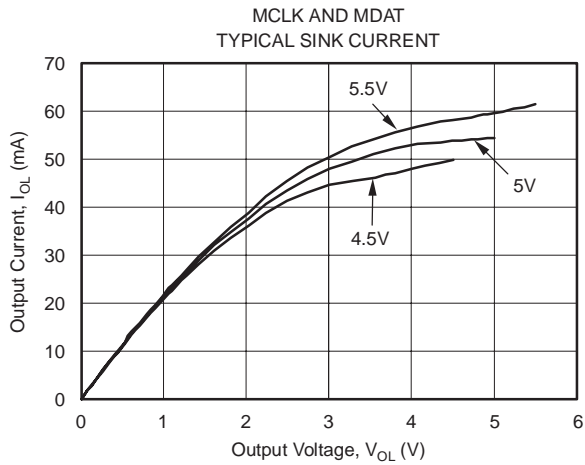
**TYPICAL CHARACTERISTICS (continued)**

$V_{DD} = BV_{DD} = +5V$  or  $V_{DD} = +5V$ ,  $V_{IN+} = -250mV$  to  $+250mV$ ,  $V_{IN-} = 0V$ , MCLK input = 20MHz, and 16-bit Sinc<sup>3</sup> filter, with OSR = 256, unless otherwise noted.



## TYPICAL CHARACTERISTICS (continued)

$A_{V_{DD}} = B_{V_{DD}} = +5V$  or  $V_{DD} = +5V$ ,  $V_{IN+} = -250mV$  to  $+250mV$ ,  $V_{IN-} = 0V$ , MCLK input = 20MHz, and 16-bit Sinc<sup>3</sup> filter, with OSR = 256, unless otherwise noted.



### GENERAL DESCRIPTION

The ADS1203 is a single-channel, 2nd-order, CMOS delta-sigma modulator, designed for medium- to high-resolution A/D conversions from DC to 39kHz with an oversampling ratio (OSR) of 256. The output of the converter (MDAT) provides a stream of digital ones and zeros. The time average of this serial output is proportional to the analog input voltage.

The modulator shifts the quantization noise to high frequencies. A low-pass digital filter should be used at the output of the delta-sigma modulator. The primary purpose of the digital filter is to filter out high-frequency noise. The secondary purpose is to convert the 1-bit data stream at a high sampling rate into a higher-bit data word at a lower rate (decimation). A digital signal processor (DSP), microcontroller ( $\mu\text{C}$ ), or field programmable gate array (FPGA) could be used to implement the digital filter. Figure 6 shows the ADS1203 connected to a DSP.

The overall performance (speed and accuracy) depends on the selection of an appropriate OSR and filter type. A higher OSR produces greater output accuracy while operating at a lower refresh rate. Alternatively, a lower OSR produces lower output accuracy, but operates at a higher refresh rate. This system allows flexibility with the digital filter design and is capable of A/D conversion results that have a dynamic range exceeding 95dB with an OSR = 256.

### THEORY OF OPERATION

The differential analog input of the ADS1203 is implemented with a switched-capacitor circuit. This circuit implements a 2nd-order modulator stage, which digitizes the analog input signal into a 1-bit output stream. The clock source can be internal as well as external. Different frequencies for this clock allow for a variety of solutions and signal bandwidths (however,

this can only be used in mode 3). The analog input signal is continuously sampled by the modulator and compared to an internal voltage reference. A digital stream, which accurately represents the analog input voltage over time, appears at the output of the converter.

### REFERENCE

Under normal operation, REFIO (pin 1) provides an internal +2.5V reference to the ADS1203. However, the ADS1203 can operate with an external reference in the range of 0.5V to 2.6V, for a corresponding full-scale range of  $0.256 \times \text{REFIO}$ , as long as the input does not exceed the  $\text{AV}_{\text{DD}} + 0.3\text{V}$  value. The recommended input range is  $\pm 0.1 \times \text{REFIO}$ .

The ADS1203 reference is double-buffered. If the internal reference is used to drive an external load, it can only drive a high-impedance load because  $R_1 = 20\text{k}\Omega$ . If an external reference voltage is used, the external source must be capable of driving the  $20\text{k}\Omega$  resistor. To minimize noise, a  $0.1\mu\text{F}$  capacitor should be connected to REFIO.

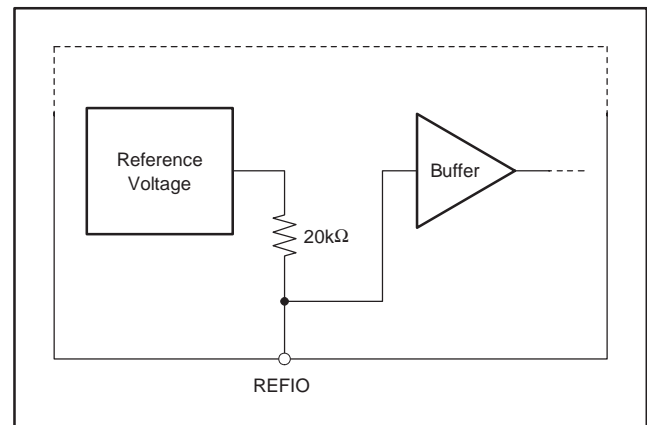


Figure 5. REFIO Voltage Reference Connection

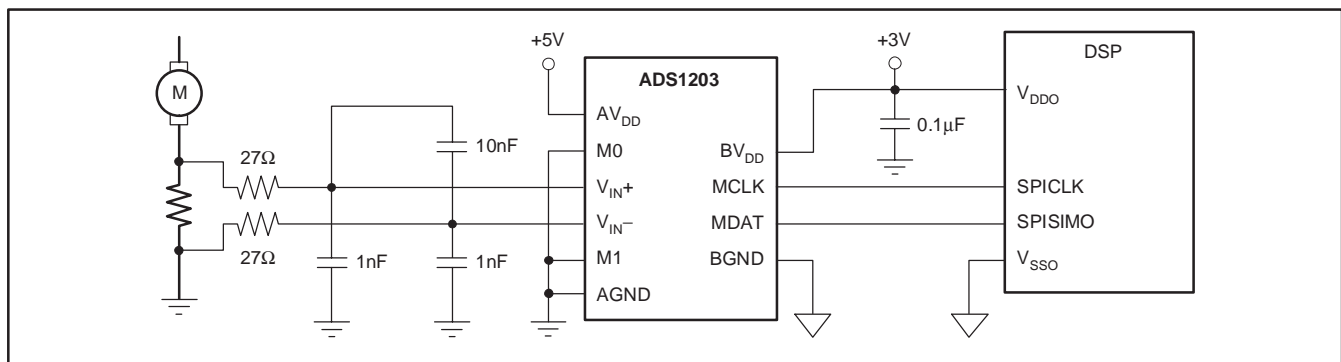


Figure 6. Connection Diagram for the ADS1203 Delta-Sigma Modulator Including DSP

## ANALOG INPUT STAGE

### Analog Input

The input design topology of the ADS1203 is based on a fully differential switched-capacitor architecture. This input stage provides the mechanism to achieve low system noise, high common-mode rejection (92dB), and excellent power-supply rejection.

The input impedance of the analog input depends on the modulator clock frequency ( $f_{CLK}$ ), which is also the sampling frequency of the modulator. Figure 7 shows the basic input structure of the ADS1203. The relationship between the input impedance of the ADS1203 and the modulator clock frequency is:

$$Z_{IN} = \frac{28k\Omega}{f_{CLK}/10MHz} \quad (1)$$

The input impedance becomes a consideration in designs where the source impedance of the input signal is high. This may cause a degradation in gain, linearity and THD. The importance of this effect depends on the desired system performance. There are two restrictions on the analog input signals,  $V_{IN+}$  and  $V_{IN-}$ . If the input voltage exceeds the range  $GND - 0.4V$  to  $V_{DD} + 0.3V$ , the input current must be limited to 10mA because the input protection diodes on the front end of the converter will begin to turn on. In addition, the linearity and the noise performance of the device are ensured only when the differential analog voltage resides within  $\pm 250mV$ ; however, the FSR input voltage is  $\pm 320mV$ .

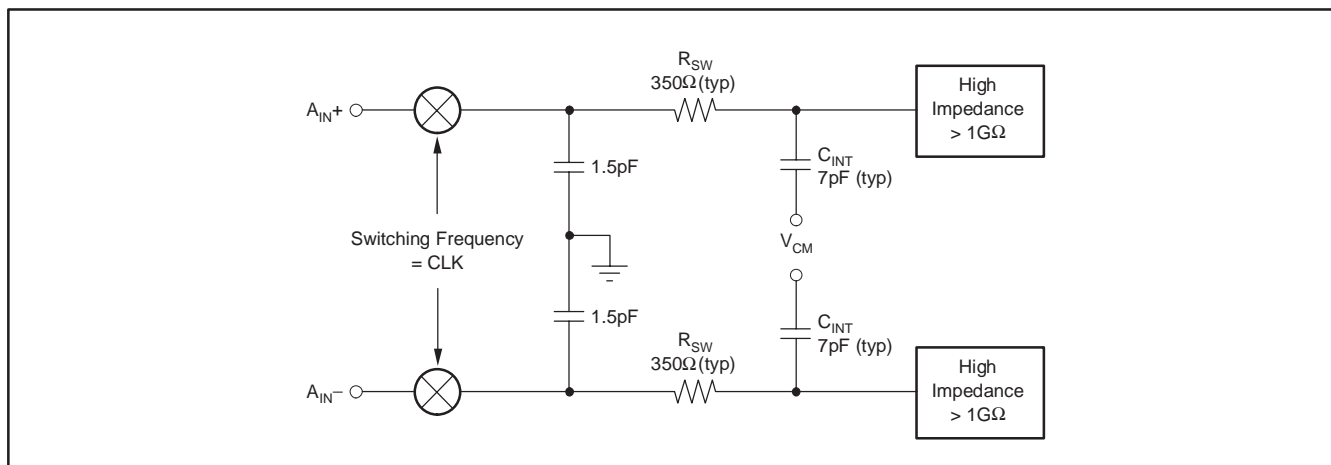


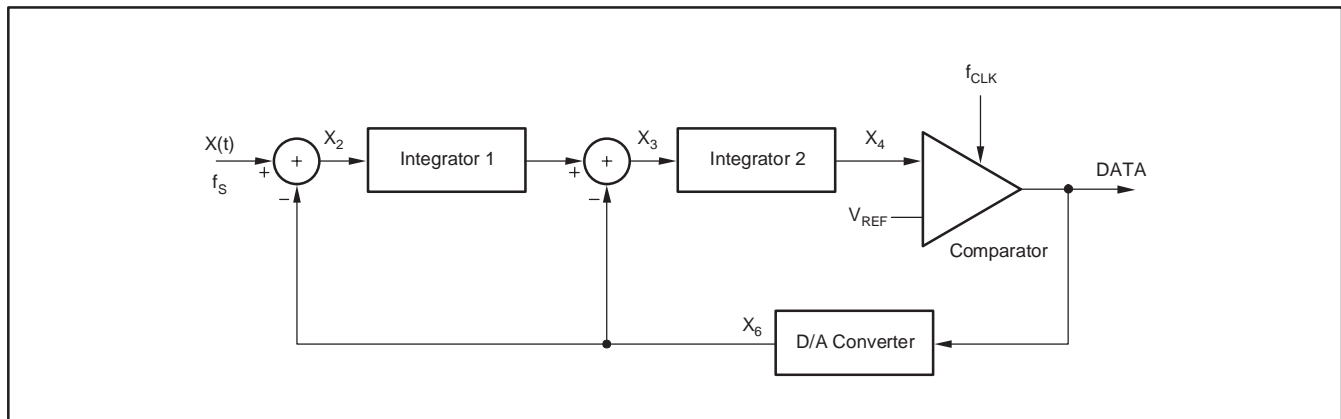
Figure 7. Input Impedance of the ADS1203

**Modulator**

The ADS1203 can be operated in four modes. Modes 0, 1, and 2 use the internal clock, which is fixed at 20MHz. The modulator can also be operated with an external clock in mode 3. In all modes, the clock is divided by 2 internally and is used as the modulator clock. The frequency of the external clock can vary from 1MHz to 32MHz to adjust for the clock requirements of the application.

The modulator topology is fundamentally a 2nd-order, switched-capacitor, delta-sigma modulator, such as the one conceptualized in Figure 8. The analog input voltage and the output of the 1-bit digital-to-analog converter (DAC) are differentiated, providing analog

voltages at  $X_2$  and  $X_3$ . The voltages at  $X_2$  and  $X_3$  are presented to the respective individual integrators. The output of these integrators progresses in a negative or positive direction. When the value of the signal at  $X_4$  equals the comparator reference voltage, the output of the comparator switches from negative to positive, or positive to negative, depending on its original state. When the output value of the comparator switches from high to low or vice versa, the 1-bit DAC responds on the next clock pulse by changing its analog output voltage at  $X_6$ , causing the integrators to progress in the opposite direction. The feedback of the modulator to the front end of the integrators forces the value of the integrator output to track the average of the input.



**Figure 8. Block Diagram of the 2nd-Order Modulator**



## DIGITAL OUTPUT

A differential input signal of 0V ideally produces a stream of ones and zeros that is high 50% of the time and low 50% of the time. A differential input of +256mV produces a stream of ones and zeros that is high 80% of the time. A differential input of -256mV produces a stream of ones and zeros that is high 20% of the time. The input voltage versus the output modulator signal is shown in Figure 9.

## DIGITAL INTERFACE

### INTRODUCTION

The analog signal that is connected to the input of the delta-sigma modulator is converted using the clock signal applied to the modulator. The result of the conversion, or modulation, is the output signal DATA from the delta-sigma modulator. In most applications where a direct connection is realized between the delta-sigma modulator and an ASIC, FPGA, DSP, or  $\mu$ C

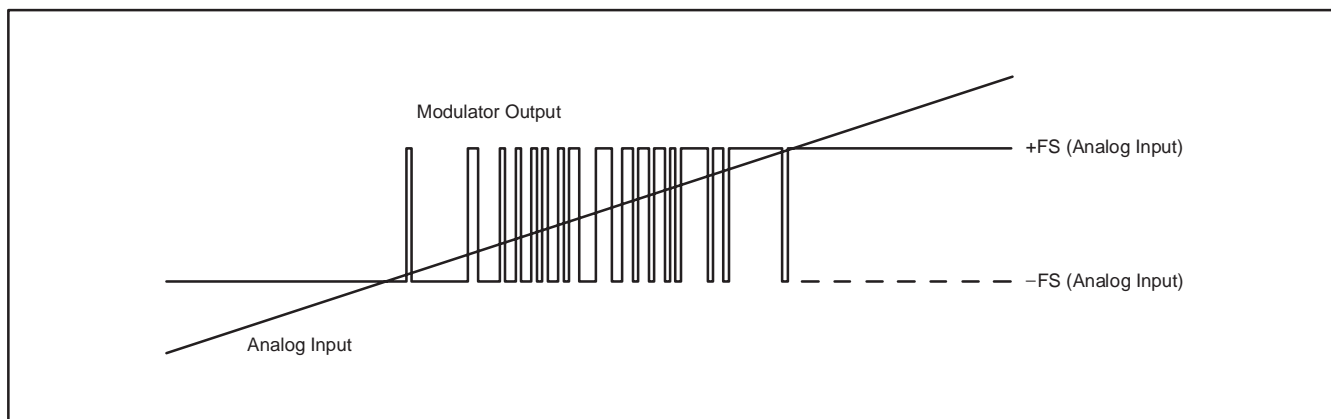
(each with an implemented filter), the two standard signals (MCLK and MDAT) are provided from the modulator. To reduce the wiring (for example, for galvanic isolation), a single line is preferred. Therefore, in mode 2, the data stream is Manchester-encoded.

### MODES OF OPERATION

The system clock of the ADS1203 is 20MHz by default. The system clock can be provided either from the internal 20MHz RC oscillator or from an external clock source. For this purpose, the MCLK pin is bidirectional and controlled by the mode setting.

The system clock is divided by 2 for the modulator clock. Therefore, the default clock frequency of the modulator is 10MHz. With a possible external clock range of 1MHz to 32MHz, the modulator operates between 500kHz and 16MHz.

The four modes of operation for the digital data interface are shown in Table 1.



**Figure 9. Analog Input vs Modulator Output of the ADS1203**

**Table 1. Digital Data Interface Modes of Operation**

MODE	DEFINITION	M1	M0
0	Internal clock, synchronous data output	Low	Low
1	Internal clock, synchronous data output, half output clock frequency	Low	High
2	Internal clock, Manchester-encoded data output	High	Low
3	External clock, synchronous data output	High	High

**Mode 0**

In mode 0, the internal RC oscillator is running. The data are provided at the MDAT output pin, and the modulator clock at the MCLK pin. The data change at the falling edge of MCLK; therefore, the data can safely be strobed with the rising edge. See Figure 1 on page 7.

**Mode 1**

In mode 1, the internal RC oscillator is running. The data are provided at the MDAT output pin. The MCLK pin provides the half modulator clock. The data must be strobed at both the rising and falling edges of MCLK. The data at MDAT change in the middle, between the rising and falling edge. In this mode the frequency of both MCLK and MDAT is only 5MHz. See Figure 2 on page 7.

**Mode 2**

In mode 2, the internal RC oscillator is running. The data are Manchester-encoded and are provided at the MDAT pin. The MCLK output is set to low. There is no clock output provided in this mode. The Manchester coding allows the data transfer with only a single line. See Figure 3 on page 8.

**Mode 3**

In mode 3, the internal RC oscillator is disabled. The system clock must be provided externally at the input MCLK. The system clock must have twice the frequency of the chosen modulator clock. The data are provided at the MDAT output pin. Because the modulator runs with the half system clock, the data change at every other falling edge of the external clock. The data can safely be strobed at every other rising edge of MCLK. This mode allows synchronous operation to any digital system or the use of clocks different from 10MHz. See Figure 4 on page 8. On the QFN package, the modulator clock is provided as the CLKOUT signal. Output data can be strobed at each rising edge of CLKOUT.

**FILTER USAGE**

The modulator generates only a bitstream, which does not output a digital word like an analog-to-digital converter (ADC). In order to output a digital word equivalent to the analog input voltage, the bitstream must be processed by a digital filter.

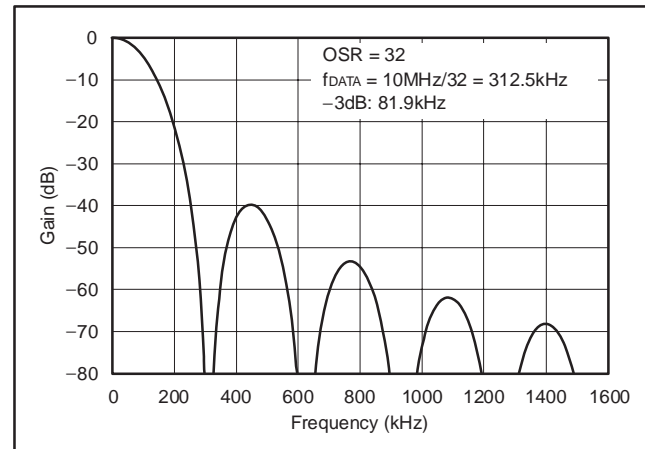
A very simple filter built with minimal effort and hardware is the sinc<sup>3</sup> filter:

$$H(z) = \left( \frac{1 - z^{-OSR}}{1 - z^{-1}} \right)^3 \tag{2}$$

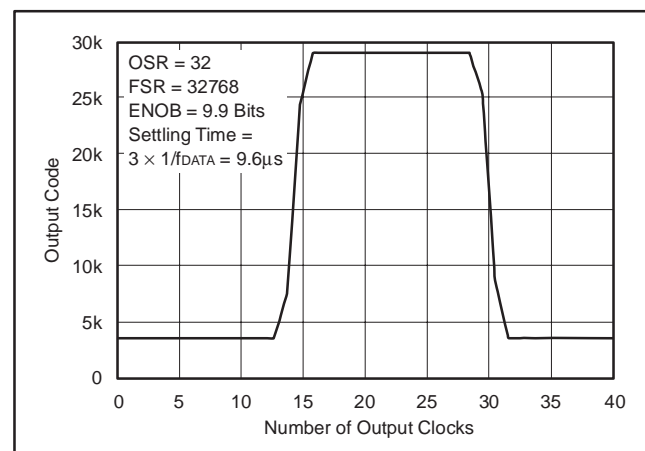
This filter provides the best output performance at the lowest hardware size (for example, count of digital gates). For oversampling ratios in the range of 16 to 256, this is a good choice. All the characterizations in the data sheet are also done using a sinc<sup>3</sup> filter with an oversampling ratio of OSR = 256 and an output word width of 16 bits.

In a sinc<sup>3</sup> filter response (shown in Figure 10 and Figure 11), the location of the first notch occurs at the frequency of output data rate  $f_{DATA} = f_{CLK}/OSR$ . The -3dB point is located at half the Nyquist frequency or  $f_{DATA}/4$ . For some applications, it may be necessary to use another filter type for better frequency response.

This performance can be improved, for example, by a cascaded filter structure. The first decimation stage can be a sinc<sup>3</sup> filter with a low OSR and the second stage a high-order filter.



**Figure 10. Frequency Response of Sinc<sup>3</sup> Filter**



**Figure 11. Pulse Response of Sinc<sup>3</sup> Filter (f<sub>MOD</sub> = 10MHz)**

The effective number of bits (ENOB) can be used to compare the performance of ADCs and delta-sigma modulators. Figure 12 shows the ENOB of the ADS1203 with different filter types. In this data sheet, the ENOB is calculated from the SNR:

$$\text{SNR} = 1.76\text{dB} + 6.02\text{dB} \times \text{ENOB} \quad (3)$$

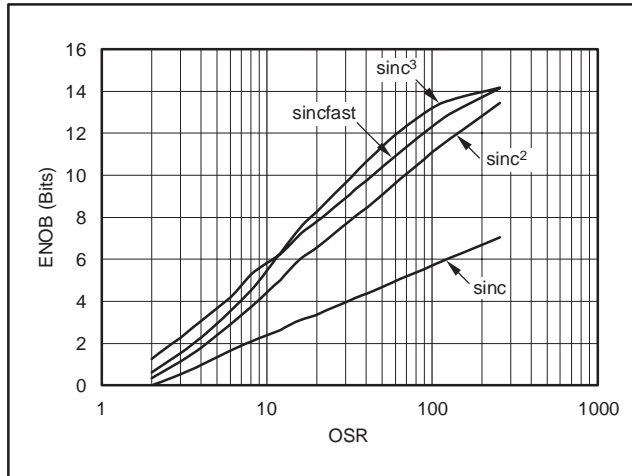


Figure 12. Measured ENOB vs OSR

In motor control applications, a very fast response time for overcurrent detection is required. There is a constraint between 1 $\mu$ s and 5 $\mu$ s with 3 bits to 7 bits resolution. The time for full settling depends on the filter order. Therefore, the full settling of the sinc<sup>3</sup> filter needs three data clocks and the sinc<sup>2</sup> filter needs two data

clocks. The data clock is equal to the modulator clock divided by the OSR. For overcurrent protection, filter types other than sinc<sup>3</sup> might be a better choice. A simple example is a sinc<sup>2</sup> filter. Figure 13 compares the settling time of different filter types. The sincfast is a modified sinc<sup>2</sup> filter:

$$H(z) = \left( \frac{1 - z^{-\text{OSR}}}{1 - z^{-1}} \right)^2 (1 + z^{-2 \times \text{OSR}}) \quad (4)$$

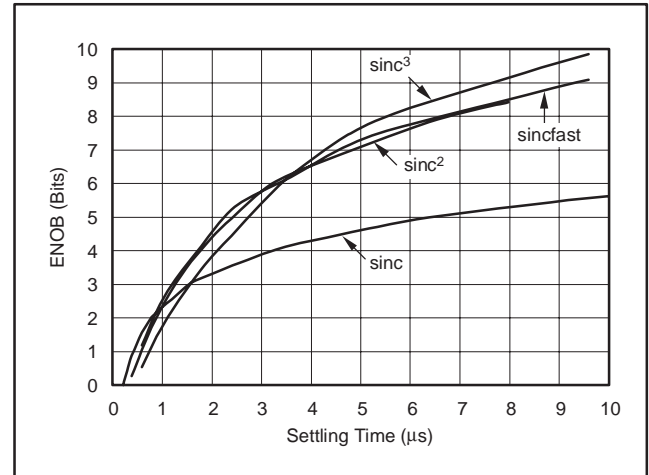


Figure 13. Measured ENOB vs Settling Time

For more information, see application note SBAA094, *Combining the ADS1202 with an FPGA Digital Filter for Current Measurement in Motor Control Applications*, available for download at [www.ti.com](http://www.ti.com).

**APPLICATIONS**

Operating the ADS1203 in a typical application using mode 0 is shown in Figure 14. Measurement of the motor phase current is done through the shunt resistor. For better performance, both signals are filtered.  $R_2$  and  $C_2$  filter noise on the noninverting input signal,  $R_3$  and  $C_3$  filter noise on the inverting input signal, and  $C_4$  in combination with  $R_2$  and  $R_3$  filter the differential input signal. In this configuration, the shunt resistor is connected via three wires with the ADS1203.

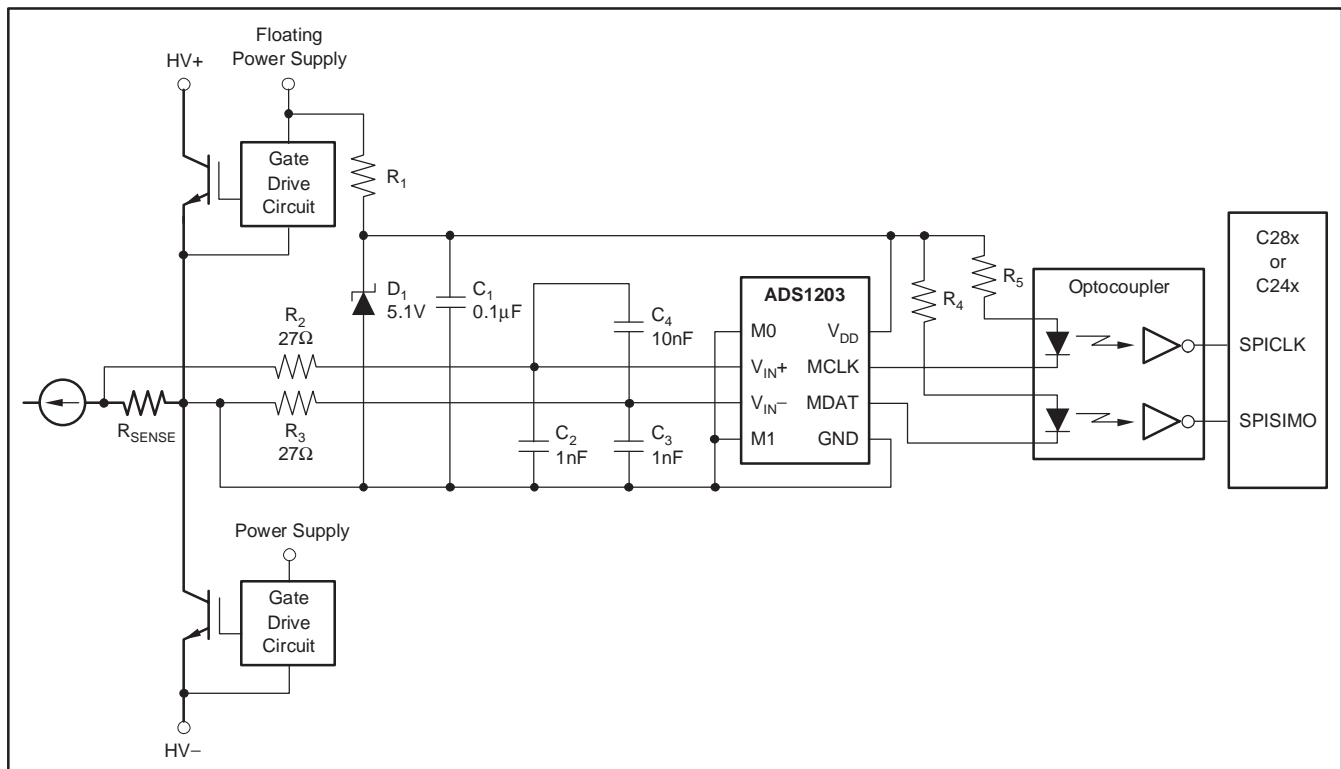
The power supply is taken from the upper gate driver power supply. A decoupling capacitor of  $0.1\mu\text{F}$  is recommended for filtering the power supply. If better filtering is required, an additional  $1\mu\text{F}$  to  $10\mu\text{F}$  capacitor can be added.

The control lines M0 and M1 are both low while the part is operating in mode 0. Two output signals, MCLK and MDAT, are connected directly to the optocoupler. The optocoupler can be connected to transfer a direct or inverse signal because the output stage has the capacity to source and sink the same current. The discharge resistor is not needed in parallel with optocoupler diodes because the output driver has push-pull capability to keep the LED diode out of the charge.

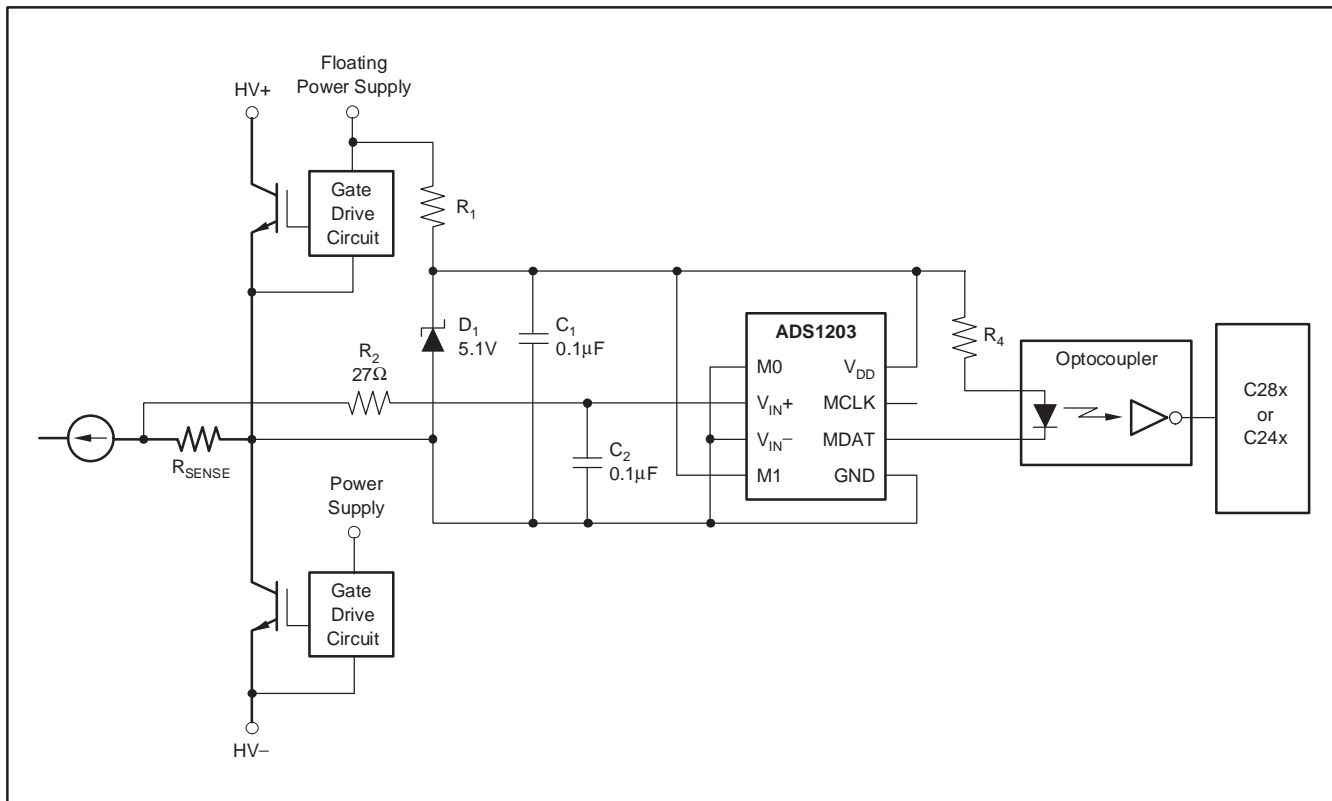
The DSP (such as a C28x or C24x) can be directly connected at the output of two channels of the optocoupler. In this configuration, the signals arriving at C28x or C24x are standard delta-sigma modulator signals and are connected directly to the SPICLK and SPISIMO pins. Being a delta-sigma converter, there is no need to have word sync on the serial data, so an SPI is ideal for connection. McBSP would work as well in SPI mode.

When component reduction is necessary, the ADS1203 can operate in mode 2, as shown in Figure 15. M1 is high and M0 is low. Only the noninverting input signal is filtered.  $R_2$  and  $C_2$  filter noise on the input signal. The inverting input is directly connected to the GND pin, which is simultaneously connected to the shunt resistor.

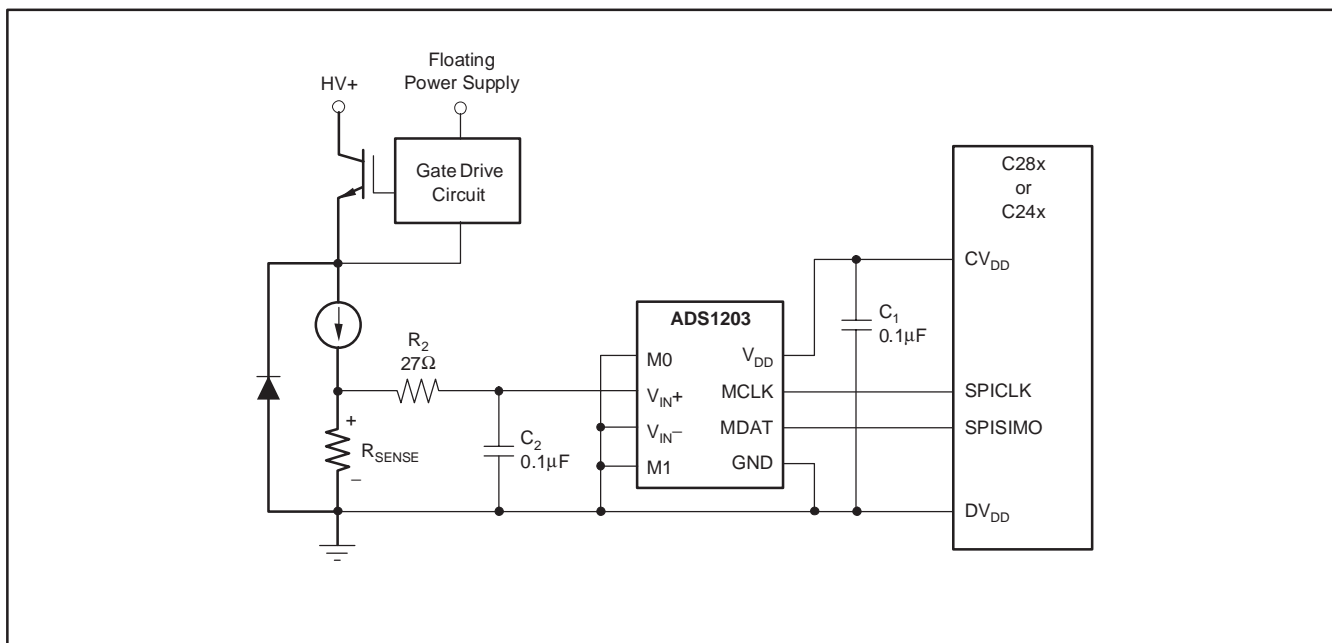
The output signal from the ADS1203 is Manchester-encoded. In this case, only one signal is transmitted. For that reason, one optocoupler channel is used instead of two channels, as in the previous example of Figure 14. Another advantage of this configuration is that the DSP will use only one line per channel instead of two. That permits the use of smaller DSP packages in the application.



**Figure 14. Application Diagram in Mode 0**



**Figure 15. Application Diagram in Mode 2**



**Figure 16. Application Diagram without Galvanic Isolation in Mode 0**

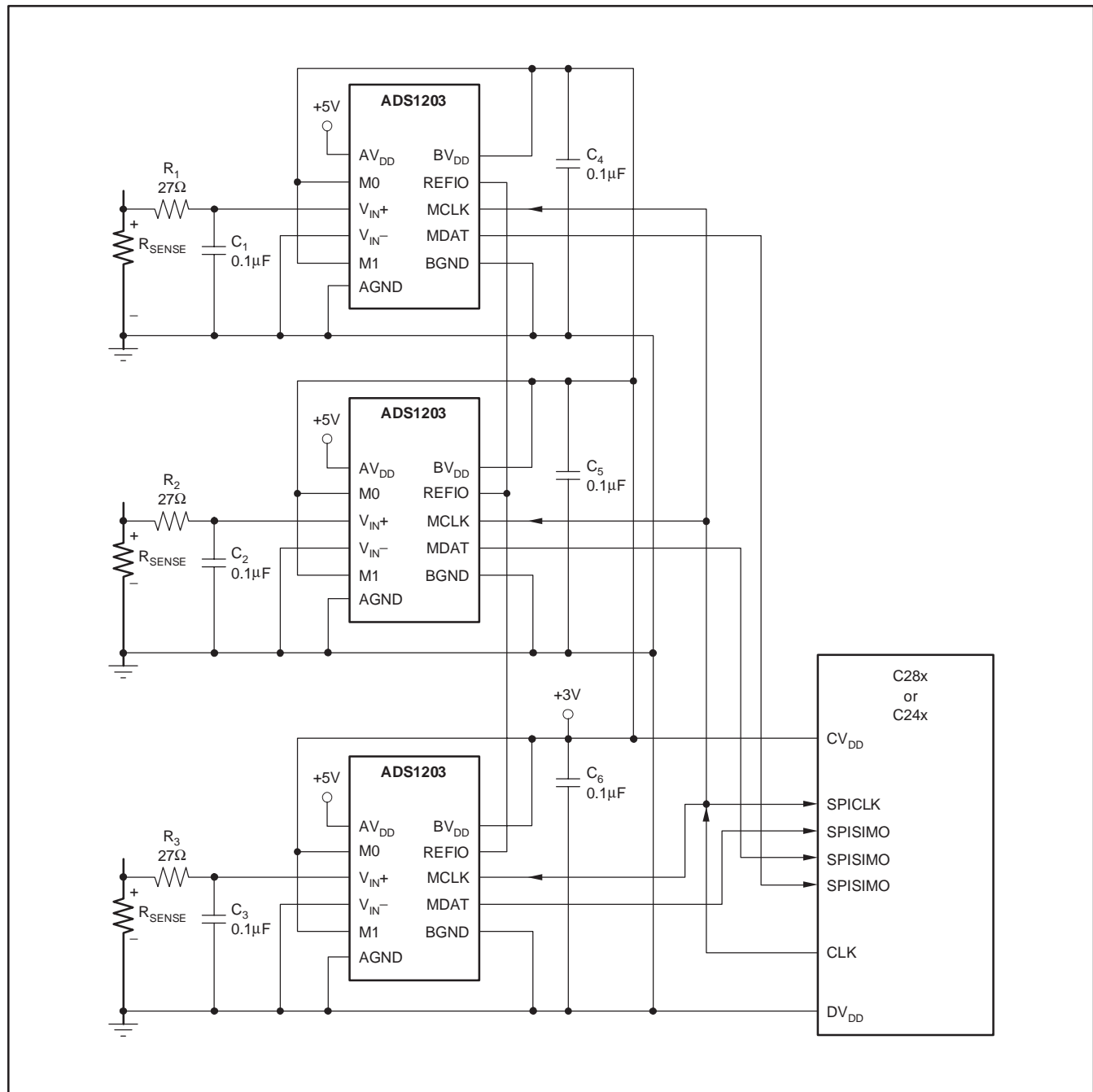


Figure 17. Application Diagram without Galvanic Isolation in Mode 3

## LAYOUT CONSIDERATIONS

### Power Supplies

The ADS1203 requires only one power supply ( $V_{DD}$ ). If there are separate analog and digital power supplies on the board, a good design approach is to have the ADS1203 connected to the analog power supply. Another possible approach to control noise is the use of a resistor on the power supply. The connection can be made between the ADS1203 power-supply pins via a  $10\Omega$  resistor. The combination of this resistor and the decoupling capacitors between the power-supply pins on the ADS1203 provide some filtering. The analog supply that is used must be well-regulated and generate low noise. For designs requiring higher resolution from the ADS1203, power-supply rejection will be a concern. The digital power supply has high-frequency noise that can be capacitively coupled into the analog portion of the ADS1203. This noise can originate from switching power supplies, microprocessors, or DSPs. High-frequency noise will generally be rejected by the external digital filter at integer multiples of MCLK. Just below and above these frequencies, noise will alias back into the passband of the digital filter, affecting the conversion result. Inputs to the ADS1203, such as  $V_{IN+}$ ,  $V_{IN-}$ , and MCLK should not be present before the power supply is on. Violating this condition could cause latch-up. If these signals are present before the supply

is on, series resistors should be used to limit the input current. Experimentation may be the best way to determine the appropriate connection between the ADS1203 and different power supplies.

### Grounding

Analog and digital sections of the design must be carefully and cleanly partitioned. Each section should have its own ground plane with no overlap between them. Do not join the ground planes; instead, connect the two with a moderate signal trace underneath the converter. For multiple converters, connect the two ground planes as close as possible to one central location for all of the converters. In some cases, experimentation may be required to find the best point to connect the two planes together.

### Decoupling

Good decoupling practices must be used for the ADS1203 and for all components in the design. All decoupling capacitors, specifically the  $0.1\mu\text{F}$  ceramic capacitors, must be placed as close as possible to the pin being decoupled. A  $1\mu\text{F}$  and  $10\mu\text{F}$  capacitor, in parallel with the  $0.1\mu\text{F}$  ceramic capacitor, can be used to decouple  $V_{DD}$  to GND. At least one  $0.1\mu\text{F}$  ceramic capacitor must be used to decouple  $V_{DD}$  to GND, as well as for the digital supply on each digital component.

**Revision History**

DATE	REV	PAGE	SECTION	DESCRIPTION
1/08	C	1	Features	Changed upper Operating Temperature Range from +85°C to +125°C.
		2	Absolute Maximum Ratings	Changed upper Operating Free–Air Temperature Range from +85°C to +125°C.
			Recommended Operating Conditions	Changed upper Operating Junction Temperature Range from +105°C to +150°C.
			Dissipation Ratings	Deleted R <sub>θJA</sub> column.
				Changed values.
		3	Electrical Characteristics	Changed condition; upper temperature range from +85°C to +125°C.
				Added rows with values for updated temperature range.
				Changed values throughout table.
				Changed notes 5, 7, and 8.
		7, 8	Parameter Measurement Information	Changed upper temperature range for all four timing characteristics tables from +85°C to +125°C.
8/07	B	5	Equivalent Input Circuit	Moved Equivalent Input Circuit figure to bottom of page 5.
		6	Pin Assignments	Added note to QFN package.

NOTE: Page numbers for previous revisions may differ from page numbers in the current version.



**PACKAGING INFORMATION**

Orderable Device	Status (1)	Package Type	Package Drawing	Pins	Package Qty	Eco Plan (2)	Lead/Ball Finish (6)	MSL Peak Temp (3)	Op Temp (°C)	Device Marking (4/5)	Samples
ADS1203IPWT	ACTIVE	TSSOP	PW	8	250	Green (RoHS & no Sb/Br)	CU NIPDAU	Level-1-260C-UNLIM	-40 to 125	AZ1203	<a href="#">Samples</a>
ADS1203IRGTT	ACTIVE	VQFN	RGT	16	250	Green (RoHS & no Sb/Br)	CU NIPDAU	Level-2-260C-1 YEAR	-40 to 125	A03I	<a href="#">Samples</a>
ADS1203IRGTTG4	ACTIVE	VQFN	RGT	16	250	Green (RoHS & no Sb/Br)	CU NIPDAU	Level-2-260C-1 YEAR	-40 to 125	A03I	<a href="#">Samples</a>

(1) The marketing status values are defined as follows:

**ACTIVE:** Product device recommended for new designs.

**LIFEBUY:** TI has announced that the device will be discontinued, and a lifetime-buy period is in effect.

**NRND:** Not recommended for new designs. Device is in production to support existing customers, but TI does not recommend using this part in a new design.

**PREVIEW:** Device has been announced but is not in production. Samples may or may not be available.

**OBsolete:** TI has discontinued the production of the device.

(2) **RoHS:** TI defines "RoHS" to mean semiconductor products that are compliant with the current EU RoHS requirements for all 10 RoHS substances, including the requirement that RoHS substance do not exceed 0.1% by weight in homogeneous materials. Where designed to be soldered at high temperatures, "RoHS" products are suitable for use in specified lead-free processes. TI may reference these types of products as "Pb-Free".

**RoHS Exempt:** TI defines "RoHS Exempt" to mean products that contain lead but are compliant with EU RoHS pursuant to a specific EU RoHS exemption.

**Green:** TI defines "Green" to mean the content of Chlorine (Cl) and Bromine (Br) based flame retardants meet JS709B low halogen requirements of <=1000ppm threshold. Antimony trioxide based flame retardants must also meet the <=1000ppm threshold requirement.

(3) MSL, Peak Temp. - The Moisture Sensitivity Level rating according to the JEDEC industry standard classifications, and peak solder temperature.

(4) There may be additional marking, which relates to the logo, the lot trace code information, or the environmental category on the device.

(5) Multiple Device Markings will be inside parentheses. Only one Device Marking contained in parentheses and separated by a "-" will appear on a device. If a line is indented then it is a continuation of the previous line and the two combined represent the entire Device Marking for that device.

(6) Lead/Ball Finish - Orderable Devices may have multiple material finish options. Finish options are separated by a vertical ruled line. Lead/Ball Finish values may wrap to two lines if the finish value exceeds the maximum column width.

**Important Information and Disclaimer:** The information provided on this page represents TI's knowledge and belief as of the date that it is provided. TI bases its knowledge and belief on information provided by third parties, and makes no representation or warranty as to the accuracy of such information. Efforts are underway to better integrate information from third parties. TI has taken and continues to take reasonable steps to provide representative and accurate information but may not have conducted destructive testing or chemical analysis on incoming materials and chemicals. TI and TI suppliers consider certain information to be proprietary, and thus CAS numbers and other limited information may not be available for release.

In no event shall TI's liability arising out of such information exceed the total purchase price of the TI part(s) at issue in this document sold by TI to Customer on an annual basis.

**TAPE AND REEL INFORMATION**

**QUADRANT ASSIGNMENTS FOR PIN 1 ORIENTATION IN TAPE**


\*All dimensions are nominal

Device	Package Type	Package Drawing	Pins	SPQ	Reel Diameter (mm)	Reel Width W1 (mm)	A0 (mm)	B0 (mm)	K0 (mm)	P1 (mm)	W (mm)	Pin1 Quadrant
ADS1203IPWT	TSSOP	PW	8	250	330.0	12.4	7.0	3.6	1.6	8.0	12.0	Q1
ADS1203IRGTT	VQFN	RGT	16	250	180.0	12.4	3.3	3.3	1.1	8.0	12.0	Q2

**TAPE AND REEL BOX DIMENSIONS**


\*All dimensions are nominal

Device	Package Type	Package Drawing	Pins	SPQ	Length (mm)	Width (mm)	Height (mm)
ADS1203IPWT	TSSOP	PW	8	250	340.5	338.1	20.6
ADS1203IRGTT	VQFN	RGT	16	250	210.0	185.0	35.0

PW0008A



# PACKAGE OUTLINE

## TSSOP - 1.2 mm max height

SMALL OUTLINE PACKAGE



NOTES:

1. All linear dimensions are in millimeters. Any dimensions in parenthesis are for reference only. Dimensioning and tolerancing per ASME Y14.5M.
2. This drawing is subject to change without notice.
3. This dimension does not include mold flash, protrusions, or gate burrs. Mold flash, protrusions, or gate burrs shall not exceed 0.15 mm per side.
4. This dimension does not include interlead flash. Interlead flash shall not exceed 0.25 mm per side.
5. Reference JEDEC registration MO-153, variation AA.

# EXAMPLE BOARD LAYOUT

PW0008A

TSSOP - 1.2 mm max height

SMALL OUTLINE PACKAGE



LAND PATTERN EXAMPLE  
SCALE:10X



SOLDER MASK DETAILS  
NOT TO SCALE

4221848/A 02/2015

NOTES: (continued)

- 6. Publication IPC-7351 may have alternate designs.
- 7. Solder mask tolerances between and around signal pads can vary based on board fabrication site.

# EXAMPLE STENCIL DESIGN

PW0008A

TSSOP - 1.2 mm max height

SMALL OUTLINE PACKAGE



SOLDER PASTE EXAMPLE  
BASED ON 0.125 mm THICK STENCIL  
SCALE:10X

4221848/A 02/2015

NOTES: (continued)

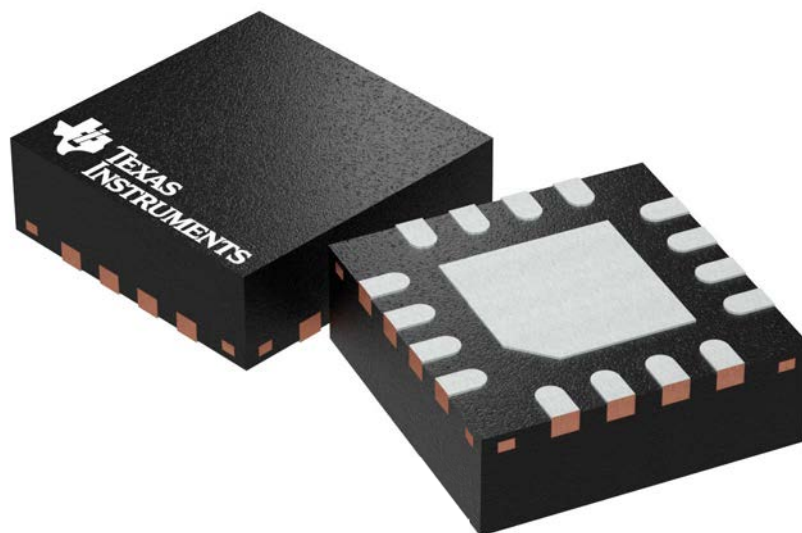
8. Laser cutting apertures with trapezoidal walls and rounded corners may offer better paste release. IPC-7525 may have alternate design recommendations.
9. Board assembly site may have different recommendations for stencil design.

**RGT 16**

**GENERIC PACKAGE VIEW**

**VQFN - 1 mm max height**

PLASTIC QUAD FLATPACK - NO LEAD



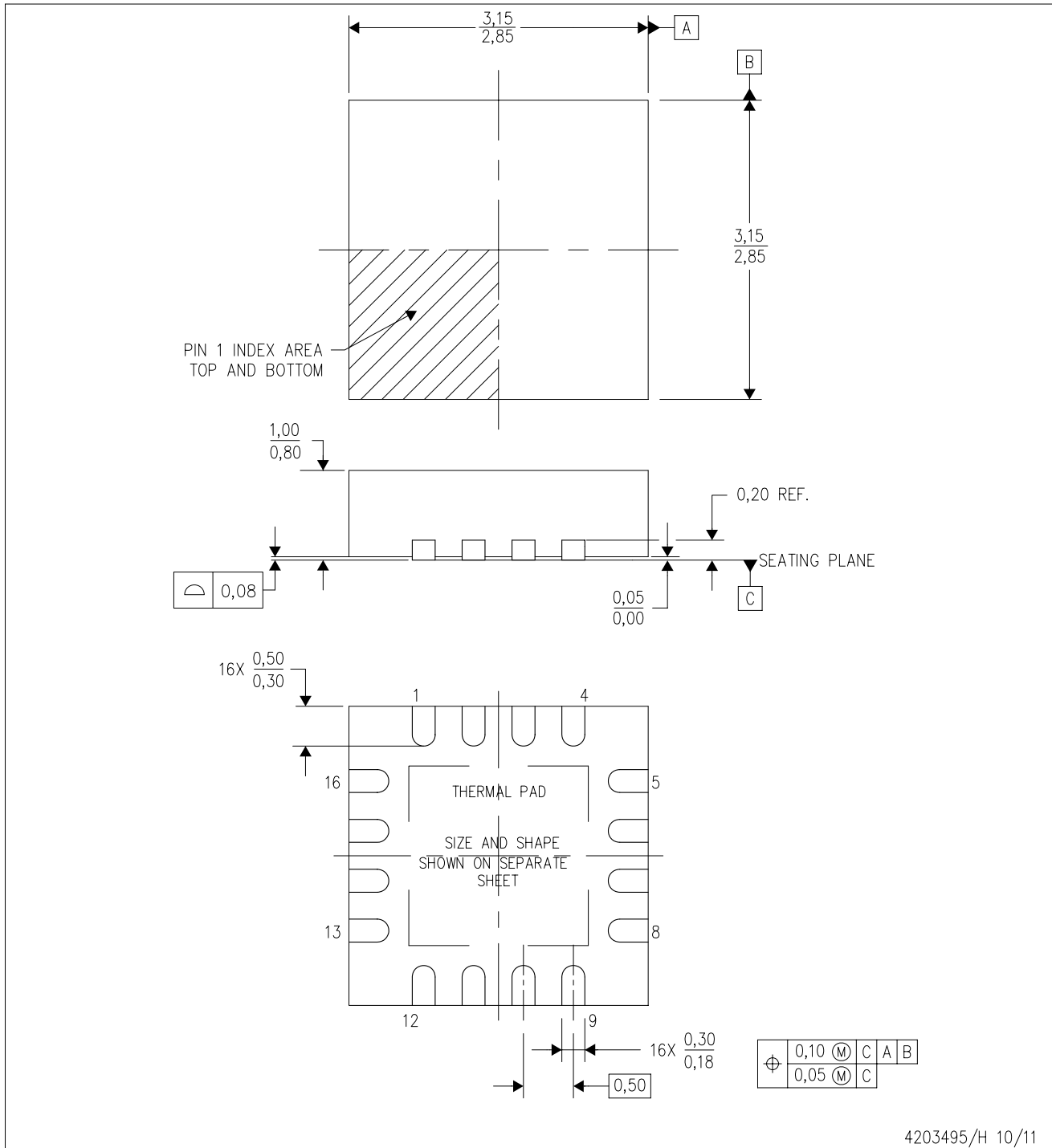
Images above are just a representation of the package family, actual package may vary.  
Refer to the product data sheet for package details.

4203495/1



RGT (S-PVQFN-N16)

PLASTIC QUAD FLATPACK NO-LEAD



4203495/H 10/11

- NOTES:
- All linear dimensions are in millimeters. Dimensioning and tolerancing per ASME Y14.5M-1994.
  - This drawing is subject to change without notice.
  - Quad Flatpack, No-leads (QFN) package configuration.
  - The package thermal pad must be soldered to the board for thermal and mechanical performance.
  - See the additional figure in the Product Data Sheet for details regarding the exposed thermal pad features and dimensions.
  - Falls within JEDEC MO-220.

## THERMAL PAD MECHANICAL DATA

RGT (S-PVQFN-N16)

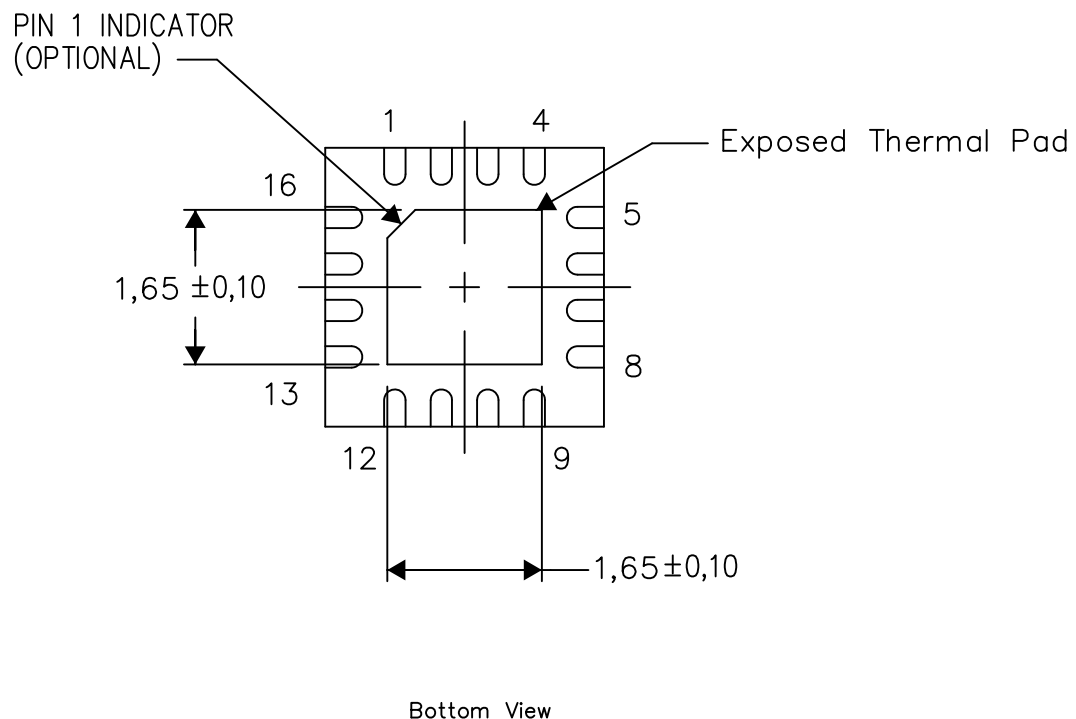
PLASTIC QUAD FLATPACK NO-LEAD

### THERMAL INFORMATION

This package incorporates an exposed thermal pad that is designed to be attached directly to an external heatsink. The thermal pad must be soldered directly to the printed circuit board (PCB). After soldering, the PCB can be used as a heatsink. In addition, through the use of thermal vias, the thermal pad can be attached directly to the appropriate copper plane shown in the electrical schematic for the device, or alternatively, can be attached to a special heatsink structure designed into the PCB. This design optimizes the heat transfer from the integrated circuit (IC).

For information on the Quad Flatpack No-Lead (QFN) package and its advantages, refer to Application Report, QFN/SON PCB Attachment, Texas Instruments Literature No. SLUA271. This document is available at [www.ti.com](http://www.ti.com).

The exposed thermal pad dimensions for this package are shown in the following illustration.



Exposed Thermal Pad Dimensions

4206349-7/Z 08/15

NOTE: All linear dimensions are in millimeters

## IMPORTANT NOTICE

Texas Instruments Incorporated (TI) reserves the right to make corrections, enhancements, improvements and other changes to its semiconductor products and services per JESD46, latest issue, and to discontinue any product or service per JESD48, latest issue. Buyers should obtain the latest relevant information before placing orders and should verify that such information is current and complete.

TI's published terms of sale for semiconductor products (<http://www.ti.com/sc/docs/stdterms.htm>) apply to the sale of packaged integrated circuit products that TI has qualified and released to market. Additional terms may apply to the use or sale of other types of TI products and services.

Reproduction of significant portions of TI information in TI data sheets is permissible only if reproduction is without alteration and is accompanied by all associated warranties, conditions, limitations, and notices. TI is not responsible or liable for such reproduced documentation. Information of third parties may be subject to additional restrictions. Resale of TI products or services with statements different from or beyond the parameters stated by TI for that product or service voids all express and any implied warranties for the associated TI product or service and is an unfair and deceptive business practice. TI is not responsible or liable for any such statements.

Buyers and others who are developing systems that incorporate TI products (collectively, "Designers") understand and agree that Designers remain responsible for using their independent analysis, evaluation and judgment in designing their applications and that Designers have full and exclusive responsibility to assure the safety of Designers' applications and compliance of their applications (and of all TI products used in or for Designers' applications) with all applicable regulations, laws and other applicable requirements. Designer represents that, with respect to their applications, Designer has all the necessary expertise to create and implement safeguards that (1) anticipate dangerous consequences of failures, (2) monitor failures and their consequences, and (3) lessen the likelihood of failures that might cause harm and take appropriate actions. Designer agrees that prior to using or distributing any applications that include TI products, Designer will thoroughly test such applications and the functionality of such TI products as used in such applications.

TI's provision of technical, application or other design advice, quality characterization, reliability data or other services or information, including, but not limited to, reference designs and materials relating to evaluation modules, (collectively, "TI Resources") are intended to assist designers who are developing applications that incorporate TI products; by downloading, accessing or using TI Resources in any way, Designer (individually or, if Designer is acting on behalf of a company, Designer's company) agrees to use any particular TI Resource solely for this purpose and subject to the terms of this Notice.

TI's provision of TI Resources does not expand or otherwise alter TI's applicable published warranties or warranty disclaimers for TI products, and no additional obligations or liabilities arise from TI providing such TI Resources. TI reserves the right to make corrections, enhancements, improvements and other changes to its TI Resources. TI has not conducted any testing other than that specifically described in the published documentation for a particular TI Resource.

Designer is authorized to use, copy and modify any individual TI Resource only in connection with the development of applications that include the TI product(s) identified in such TI Resource. NO OTHER LICENSE, EXPRESS OR IMPLIED, BY ESTOPPEL OR OTHERWISE TO ANY OTHER TI INTELLECTUAL PROPERTY RIGHT, AND NO LICENSE TO ANY TECHNOLOGY OR INTELLECTUAL PROPERTY RIGHT OF TI OR ANY THIRD PARTY IS GRANTED HEREIN, including but not limited to any patent right, copyright, mask work right, or other intellectual property right relating to any combination, machine, or process in which TI products or services are used. Information regarding or referencing third-party products or services does not constitute a license to use such products or services, or a warranty or endorsement thereof. Use of TI Resources may require a license from a third party under the patents or other intellectual property of the third party, or a license from TI under the patents or other intellectual property of TI.

TI RESOURCES ARE PROVIDED "AS IS" AND WITH ALL FAULTS. TI DISCLAIMS ALL OTHER WARRANTIES OR REPRESENTATIONS, EXPRESS OR IMPLIED, REGARDING RESOURCES OR USE THEREOF, INCLUDING BUT NOT LIMITED TO ACCURACY OR COMPLETENESS, TITLE, ANY EPIDEMIC FAILURE WARRANTY AND ANY IMPLIED WARRANTIES OF MERCHANTABILITY, FITNESS FOR A PARTICULAR PURPOSE, AND NON-INFRINGEMENT OF ANY THIRD PARTY INTELLECTUAL PROPERTY RIGHTS. TI SHALL NOT BE LIABLE FOR AND SHALL NOT DEFEND OR INDEMNIFY DESIGNER AGAINST ANY CLAIM, INCLUDING BUT NOT LIMITED TO ANY INFRINGEMENT CLAIM THAT RELATES TO OR IS BASED ON ANY COMBINATION OF PRODUCTS EVEN IF DESCRIBED IN TI RESOURCES OR OTHERWISE. IN NO EVENT SHALL TI BE LIABLE FOR ANY ACTUAL, DIRECT, SPECIAL, COLLATERAL, INDIRECT, PUNITIVE, INCIDENTAL, CONSEQUENTIAL OR EXEMPLARY DAMAGES IN CONNECTION WITH OR ARISING OUT OF TI RESOURCES OR USE THEREOF, AND REGARDLESS OF WHETHER TI HAS BEEN ADVISED OF THE POSSIBILITY OF SUCH DAMAGES.

Unless TI has explicitly designated an individual product as meeting the requirements of a particular industry standard (e.g., ISO/TS 16949 and ISO 26262), TI is not responsible for any failure to meet such industry standard requirements.

Where TI specifically promotes products as facilitating functional safety or as compliant with industry functional safety standards, such products are intended to help enable customers to design and create their own applications that meet applicable functional safety standards and requirements. Using products in an application does not by itself establish any safety features in the application. Designers must ensure compliance with safety-related requirements and standards applicable to their applications. Designer may not use any TI products in life-critical medical equipment unless authorized officers of the parties have executed a special contract specifically governing such use. Life-critical medical equipment is medical equipment where failure of such equipment would cause serious bodily injury or death (e.g., life support, pacemakers, defibrillators, heart pumps, neurostimulators, and implantables). Such equipment includes, without limitation, all medical devices identified by the U.S. Food and Drug Administration as Class III devices and equivalent classifications outside the U.S.

TI may expressly designate certain products as completing a particular qualification (e.g., Q100, Military Grade, or Enhanced Product). Designers agree that it has the necessary expertise to select the product with the appropriate qualification designation for their applications and that proper product selection is at Designers' own risk. Designers are solely responsible for compliance with all legal and regulatory requirements in connection with such selection.

Designer will fully indemnify TI and its representatives against any damages, costs, losses, and/or liabilities arising out of Designer's non-compliance with the terms and provisions of this Notice.