

# ADS7x51 12 位, 2MSPS 和 14 位, 1.5MSPS, 双路, 差分输入, 同步采样模数转换器, 具有内部基准

## 1 特性

- 12 和 14 位引脚兼容系列
- 两个通道同时采样
- 支持全差分模拟输入
- 独立内部基准 (每个 ADC 一个)
- 高速:
  - 使用 ADS7251 (12 位) 时高达 2MSPS
  - 使用 ADS7851 (14 位) 时高达 1.5MSPS
- 出色的性能:
  - ADS7251:
    - 信噪比 (SNR): 73dB
    - 积分非线性 (INL):  $\pm 1$  最低有效位 (LSB)
  - ADS7851:
    - 信噪比 (SNR): 83.5dB
    - 积分非线性 (INL):  $\pm 2$  LSB
- 在  $-40^{\circ}\text{C}$  至  $+125^{\circ}\text{C}$  的扩展工业用温度范围内完全额定运行
- 小型封装: 超薄四方扁平无引线 (WQFN)-16 (3mm x 3mm)

## 2 应用范围

- 电机控制: 与 SinCos 编码器的直接对接
- 光网络互连: 掺铒光纤放大器 (EDFA) 增益控制环路
- 保护中继器
- 电源质量测量
- 三相电源控制
- 可编程逻辑控制器
- 工业自动化

## 3 说明

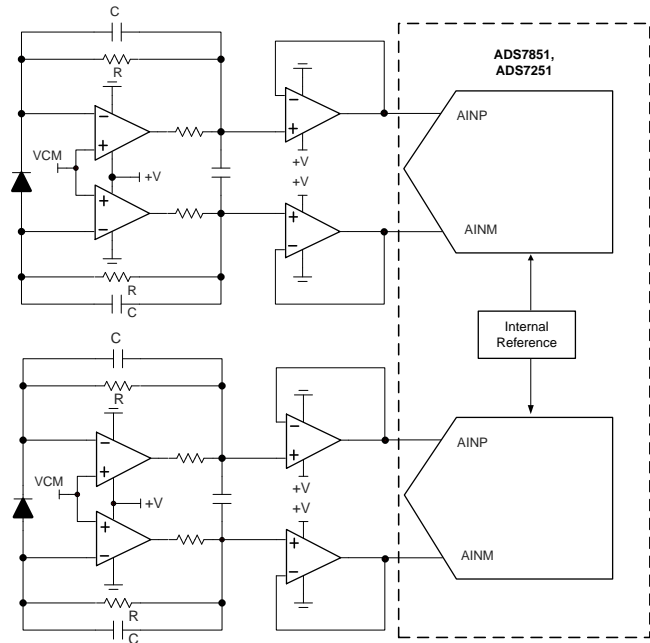
ADS7251 和 ADS7851 属于引脚兼容、双路、高速、同步采样模数转换器 (ADC) 产品系列, 此系列产品支持全差分模拟输入, 并且特有 2 个单独的内部电压基准。ADS7251 提供 12 位分辨率以及高达 2MSPS 的采样速度。ADS7851 提供 14 位分辨率以及高达 1.5MSPS 的采样速度。

此器件支持宽数字电源电压范围, 从而通过一个简单串口轻松实现与多种数字主机控制器的通信。两个器件都在扩展工业用温度范围 ( $-40^{\circ}\text{C}$  至  $+125^{\circ}\text{C}$ ) 内完全额定运行, 并且采用引脚兼容、节省空间的 WQFN-16 (3mm x 3mm) 封装。

### 器件信息

订货编号	封装	封装尺寸
ADS7251RTE	WQFN (16)	3mm x 3mm
ADS7851RTE	WQFN (16)	3mm x 3mm

### 典型应用图



## 目录

<b>1</b>	特性 .....	<b>1</b>	<b>7.1</b>	Overview .....	<b>17</b>
<b>2</b>	应用范围 .....	<b>1</b>	<b>7.2</b>	Functional Block Diagram .....	<b>17</b>
<b>3</b>	说明 .....	<b>1</b>	<b>7.3</b>	Feature Description .....	<b>18</b>
<b>4</b>	修订历史记录 .....	<b>2</b>	<b>7.4</b>	Device Functional Modes .....	<b>21</b>
<b>5</b>	<b>Terminal Configuration and Functions</b> .....	<b>3</b>	<b>8</b>	<b>Application and Implementation</b> .....	<b>23</b>
<b>6</b>	<b>Specifications</b> .....	<b>4</b>	<b>8.1</b>	Application Information .....	<b>23</b>
6.1	Absolute Maximum Ratings .....	4	<b>8.2</b>	Typical Application .....	<b>23</b>
6.2	Handling Ratings .....	4	<b>9</b>	<b>Power Supply Recommendations</b> .....	<b>27</b>
6.3	Recommended Operating Conditions .....	4	<b>10</b>	<b>Layout</b> .....	<b>28</b>
6.4	Thermal Information .....	4	10.1	Layout Guidelines .....	28
6.5	Electrical Characteristics: ADS7251 .....	5	10.2	Layout Example .....	28
6.6	Electrical Characteristics: ADS7851 .....	6	<b>11</b>	<b>器件和文档支持</b> .....	<b>29</b>
6.7	Electrical Characteristics: Common .....	7	11.1	文档支持 .....	29
6.8	ADS7251 Timing Characteristics .....	8	11.2	相关链接 .....	29
6.9	ADS7851 Timing Characteristics .....	9	11.3	Trademarks .....	29
6.10	Typical Characteristics: ADS7251 .....	10	11.4	Electrostatic Discharge Caution .....	29
6.11	Typical Characteristics: ADS7851 .....	13	11.5	Glossary .....	29
6.12	Typical Characteristics: Common .....	16	<b>12</b>	<b>机械封装和可订购信息</b> .....	<b>29</b>
<b>7</b>	<b>Detailed Description</b> .....	<b>17</b>			

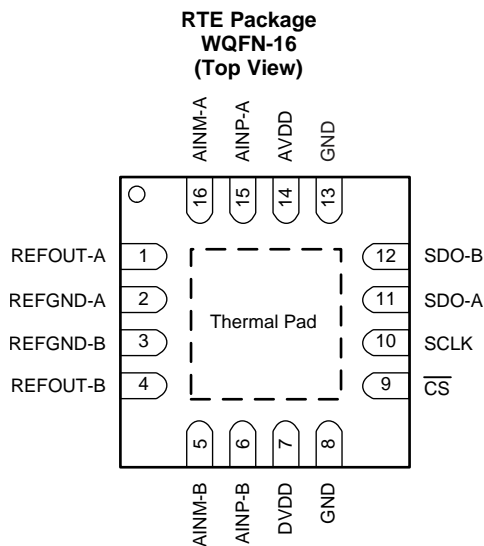
## 4 修订历史记录

### Changes from Original (January 2014) to Revision A

Page

• 已将格式更改为最新的数据表标准；已添加 电路板布局 部分，已移动现有部分 .....	<b>1</b>
• Deleted Ordering Information table .....	<b>3</b>
• Changed Supply Current, $I_{D V D D}$ parameter typical specification in Electrical Characteristics: ADS7251 table .....	<b>5</b>
• Changed Supply Current, $I_{D V D D}$ parameter typical specification in Electrical Characteristics: ADS7851 table .....	<b>6</b>
• Changed <i>Input Voltage</i> column in <a href="#">Table 1</a> .....	<b>20</b>

## 5 Terminal Configuration and Functions



### Terminal Descriptions

TERMINAL		I/O	DESCRIPTION
NAME	NO.		
AINM-A	16	Analog input	Negative analog input, channel A
AINP-A	15	Analog input	Positive analog input, channel A
AINM-B	5	Analog input	Negative analog input, channel B
AINP-B	6	Analog input	Positive analog input, channel B
AVDD	14	Supply	ADC supply voltage
$\overline{CS}$	9	Digital input	Chip-select signal; active low
DVDD	7	Supply	Digital I/O supply
GND	8, 13	Supply	Digital ground
REFGND-A	2	Supply	Reference ground potential, channel A
REFGND-B	3	Supply	Reference ground potential, channel B
REFOUT-A	1	Analog output	Reference voltage output, REF_A
REFOUT-B	4	Analog output	Reference voltage output, REF_B
SCLK	10	Digital input	Serial communication clock
SDO-A	11	Digital output	Data output for serial communication, channel A
SDO-B	12	Digital output	Data output for serial communication, channel B
Thermal pad		Supply	Exposed thermal pad. TI recommends connecting this pin to the printed circuit board (PCB) ground.

## 6 Specifications

### 6.1 Absolute Maximum Ratings<sup>(1)</sup>

over operating free-air temperature range (unless otherwise noted)

		MIN	MAX	UNIT
Supply voltage	AVDD to GND	-0.3	+7	V
	DVDD to GND	-0.3	+7	V
Analog input voltage	AINP_x to REFGND_x	REFGND_x - 0.3	AVDD + 0.3	V
	AINM_x to REFGND_x	REFGND_x - 0.3	AVDD + 0.3	V
Digital input voltage	$\overline{CS}$ , SCLK to GND	GND - 0.3	DVDD + 0.3	V
Ground voltage difference	REFGND_x - GND		0.3	V
Input current	Any pin except supply pins		±10	mA
Maximum virtual junction temperature, T <sub>J</sub>			+150	°C

- (1) Stresses beyond those listed under *Absolute Maximum Ratings* may cause permanent damage to the device. These are stress ratings only, which do not imply functional operation of the device at these or any other conditions beyond those indicated under *Recommended Operating Conditions*. Exposure to absolute-maximum-rated conditions for extended periods may affect device reliability.

### 6.2 Handling Ratings

		MIN	MAX	UNIT
T <sub>stg</sub>	Storage temperature range	-65	+150	°C
V <sub>ESD</sub> <sup>(1)</sup> , all pins	Human body model (HBM) ESD stress voltage <sup>(2)</sup> , JEDEC standard 22, test method A114-C.01		±2000	V
	Charged device model (CDM) ESD stress voltage <sup>(3)</sup> , JEDEC standard 22, test method C101		±500	V

- (1) Electrostatic discharge (ESD) to measure device sensitivity and immunity to damage caused by assembly line electrostatic discharges in to the device.
- (2) Level listed above is the passing level per ANSI, ESDA, and JEDEC JS-001. JEDEC document JEP155 states that ±2000-V HBM allows safe manufacturing with a standard ESD control process.
- (3) Level listed above is the passing level per EIA-JEDEC JESD22-C101. JEDEC document JEP157 states that ±500-V CDM allows safe manufacturing with a standard ESD control process.

### 6.3 Recommended Operating Conditions

over operating free-air temperature range (unless otherwise noted)

		MIN	NOM	MAX	UNIT
AVDD	Analog supply voltage		5		V
DVDD	Digital supply voltage		3.3		V

### 6.4 Thermal Information

THERMAL METRIC <sup>(1)</sup>		ADS7251, ADS7851	UNIT
		RTE (WQFN)	
		16 TERMINALS	
R <sub>θJA</sub>	Junction-to-ambient thermal resistance	33.3	°C/W
R <sub>θJC(top)</sub>	Junction-to-case (top) thermal resistance	29.5	
R <sub>θJB</sub>	Junction-to-board thermal resistance	7.3	
ψ <sub>JT</sub>	Junction-to-top characterization parameter	0.2	
ψ <sub>JB</sub>	Junction-to-board characterization parameter	7.4	
R <sub>θJC(bot)</sub>	Junction-to-case (bottom) thermal resistance	0.9	

- (1) For more information about traditional and new thermal metrics, see the *IC Package Thermal Metrics* application report, [SPRA953](#).

## 6.5 Electrical Characteristics: ADS7251

All minimum and maximum specifications are at  $T_A = -40^\circ\text{C}$  to  $+125^\circ\text{C}$ ,  $AVDD = 5\text{ V}$ ,  $V_{REF\_A} = V_{REF\_B} = 2.5\text{ V}$ , and  $f_{DATA} = 2\text{ MSPS}$ , unless otherwise noted. Typical values are at  $T_A = +25^\circ\text{C}$ ,  $AVDD = 5\text{ V}$ , and  $DVDD = 3.3\text{ V}$ .

PARAMETER		TEST CONDITIONS	MIN	TYP	MAX	UNIT	
<b>RESOLUTION</b>							
Resolution			12			Bits	
<b>SAMPLING DYNAMICS</b>							
$t_{CONV}$	Conversion time			$t_{SU\_CSCK} + 12 t_{CLK}$		ns	
$t_{ACQ}$	Acquisition time		75			ns	
$f_{DATA}$	Data rate				2	MSPS	
$f_{CLK}$	Clock frequency				32	MHz	
<b>DC ACCURACY</b>							
NMC	No missing codes		12			Bits	
DNL	Differential nonlinearity		-0.99	$\pm 0.3$	1	LSB	
INL	Integral nonlinearity		-1	$\pm 0.5$	1	LSB	
$V_{OS}$	Input offset error		-1	$\pm 0.2$	1	mV	
	$V_{OS}$ match	ADC_A to ADC_B	-1	$\pm 0.2$	1	mV	
$dV_{OS}/dT$	Input offset thermal drift			4		$\mu\text{V}/^\circ\text{C}$	
$G_E$	Gain error	Referenced to the voltage at REFOUT_x	-0.1%	$\pm 0.05\%$	0.1%		
	$G_{ERR}$ match	ADC_A to ADC_B	-0.1%	$\pm 0.05\%$	0.1%		
$G_E/dT$	Gain error thermal drift	Referenced to the voltage at REFOUT_x		1		ppm/ $^\circ\text{C}$	
CMRR	Common-mode rejection ratio	Both ADCs, dc to 20 kHz		72		dB	
<b>AC ACCURACY</b>							
SINAD	Signal-to-noise + distortion		72.7	72.9		dB	
SNR	Signal-to-noise ratio	For 20-kHz input frequency, at -0.5 dBFS	72.8	73		dB	
THD	Total harmonic distortion			-90		dB	
SFDR	Spurious-free dynamic range			90		dB	
	Isolation between ADC_A and ADC_B	$f_{IN} = 15\text{ kHz}$ , $f_{NOISE} = 25\text{ kHz}$		-105		dB	
<b>SUPPLY CURRENT</b>							
$I_{AVDD-DYNAMIC}$	Supply current	Analog, during conversion	Throughput = 2 MSPS, AVDD = 5 V		11	12	mA
$I_{AVDD-STATIC}$		Analog, static			5.5		mA
$I_{DVDD}$		Digital, for code 800			0.15		mA
<b>POWER DISSIPATION</b>							
$P_{D-ACTIVE}$	Power dissipation	During conversion	Throughput = 2 MSPS, AVDD = 5 V		55	60	mW
$P_{D-STATIC}$		Static mode			27.5		mW

## 6.6 Electrical Characteristics: ADS7851

All minimum and maximum specifications are at  $T_A = -40^\circ\text{C}$  to  $+125^\circ\text{C}$ ,  $AVDD = 5\text{ V}$ ,  $V_{REF\_A} = V_{REF\_B} = 2.5\text{ V}$ , and  $f_{DATA} = 1.5\text{ MSPS}$ , unless otherwise noted. Typical values are at  $T_A = +25^\circ\text{C}$ ,  $AVDD = 5\text{ V}$ , and  $DVDD = 3.3\text{ V}$ .

PARAMETER		TEST CONDITIONS	MIN	TYP	MAX	UNIT	
<b>RESOLUTION</b>							
Resolution			14			Bits	
<b>SAMPLING DYNAMICS</b>							
$t_{CONV}$	Conversion time			$t_{SU\_CSCK} + 14 t_{CLK}$		ns	
$t_{ACQ}$	Acquisition time		90			ns	
$f_{DATA}$	Data rate				1500	kSPS	
$f_{CLK}$	Clock frequency				27	MHz	
<b>DC ACCURACY</b>							
NMC	No missing codes		13			Bits	
DNL	Differential nonlinearity		-1	$\pm 0.75$	2	LSB	
INL	Integral nonlinearity		-2	$\pm 1$	2	LSB	
$V_{OS}$	Input offset error		-1	$\pm 0.2$	1	mV	
	$V_{OS}$ match	ADC_A to ADC_B	-1	$\pm 0.2$	1	mV	
$dV_{OS}/dT$	Input offset thermal drift			1		$\mu\text{V}/^\circ\text{C}$	
$G_E$	Gain error	Referenced to the voltage at REFOUT_x	-0.1%	$\pm 0.05\%$	0.1%		
	$G_{ERR}$ match	ADC_A to ADC_B	-0.1%	$\pm 0.05\%$	0.1%		
$G_E/dT$	Gain error thermal drift	Referenced to the voltage at REFOUT_x		1		ppm/ $^\circ\text{C}$	
CMRR	Common-mode rejection ratio	Both ADCs, dc to 20 kHz		72		dB	
<b>AC ACCURACY</b>							
SINAD	Signal-to-noise + distortion		81.4	82.6		dB	
SNR	Signal-to-noise ratio	For 20-kHz input frequency, at -0.5 dBFS	82	83.5		dB	
THD	Total harmonic distortion			-90		dB	
SFDR	Spurious-free dynamic range			90		dB	
	Isolation between ADC_A and ADC_B	$f_{IN} = 15\text{ kHz}$ , $f_{NOISE} = 25\text{ kHz}$		-120		dB	
<b>SUPPLY CURRENT</b>							
$I_{AVDD-DYNAMIC}$	Supply current	Analog, during conversion	Throughput = 1.5 MSPS, $AVDD = 5\text{ V}$		10	12	mA
$I_{AVDD-STATIC}$		Analog, static			5.5		mA
$I_{DVDD}$		Digital, for code 2000			0.15		mA
<b>POWER DISSIPATION</b>							
$P_{D-ACTIVE}$	Power dissipation	During conversion	Throughput = 1.5 MSPS, $AVDD = 5\text{ V}$		50	60	mW
$P_{D-STATIC}$		Static mode			27.5		mW

## 6.7 Electrical Characteristics: Common

All minimum and maximum specifications are at  $T_A = -40^\circ\text{C}$  to  $+125^\circ\text{C}$ ,  $\text{AVDD} = 5\text{ V}$ ,  $V_{\text{REF}_A} = V_{\text{REF}_B} = 2.5\text{ V}$ , and  $f_{\text{DATA}} = 2\text{ MSPS}$ , unless otherwise noted. Typical values are at  $T_A = +25^\circ\text{C}$ ,  $\text{AVDD} = 5\text{ V}$ , and  $\text{DVDD} = 3.3\text{ V}$ .

PARAMETER		TEST CONDITIONS	MIN	TYP	MAX	UNIT
<b>ANALOG INPUT</b>						
FSR	Full-scale input range (AINP_x – AINM_x)	For $\text{AVDD} \geq 5\text{ V}$	$-2 V_{\text{REF}}$		$2 V_{\text{REF}}$	V
		For $\text{AVDD} < 5\text{ V}$	$-\text{AVDD}$		$\text{AVDD}$	V
$V_{\text{IN}}$	Absolute input voltage (AINP_x or AIM_x to REFGND_x)	For $\text{AVDD} \geq 5\text{ V}$	0		$2 V_{\text{REF}}$	V
		For $\text{AVDD} < 5\text{ V}$	0		$\text{AVDD}$	V
$V_{\text{CM}}$	Input common-mode voltage range	$V_{\text{REF}_A} = V_{\text{REF}_B} = V_{\text{REF}}$	$V_{\text{REF}} - 0.1$	$V_{\text{REF}}$	$V_{\text{REF}} + 0.1$	V
$C_{\text{IN}}$	Input capacitance	In sample mode		40		pF
		In hold mode		4		pF
<b>SAMPLING DYNAMICS</b>						
$t_A$	Aperture delay			8		ns
	$t_A$ match	ADC_A to ADC_B		40		ps
BW	Full-power bandwidth	At 3 dB		25		MHz
		At 0.1 dB		5		MHz
<b>INTERNAL VOLTAGE REFERENCE</b>						
$V_{\text{REFOUT}}$	Internal reference output voltage	At $+25^\circ\text{C}$	2.495	2.500	2.505	V
$V_{\text{REFOUT-match}}$	$V_{\text{REFOUT}}$ matching	$ \text{REFOUT}_A - \text{REFOUT}_B $		$\pm 1$		mV
$dV_{\text{REFOUT}}/dt$	Long-term voltage drift	1000 hours		150		ppm
$dV_{\text{REFOUT}}/dT$	Reference voltage drift with temperature			$\pm 10$		ppm/ $^\circ\text{C}$
$R_O$	Internal reference output impedance			1		$\Omega$
$C_{\text{OUT}}$	External output capacitor			22		$\mu\text{F}$
	Internal reference output settling time	$C_{\text{OUT}} = 22\ \mu\text{F}$		10		ms
<b>DIGITAL INPUTS<sup>(1)</sup></b>						
$V_{\text{IH}}$	Input voltage, high		0.7 DVDD		$\text{DVDD} + 0.3$	V
$V_{\text{IL}}$	Input voltage, low		$-0.3$		$0.3\text{ DVDD}$	V
$C_{\text{IN}}$	Input capacitance			5		pF
$I_{\text{IN}}$	Input leakage current	$0 \leq V_{\text{digital-input}} \leq \text{DVDD}$		$\pm 0.1$	1	$\mu\text{A}$
<b>DIGITAL OUTPUTS<sup>(1)</sup></b>						
$V_{\text{OH}}$	Output voltage, high	$I_{\text{OH}} = 500\text{-}\mu\text{A}$ source	0.8 DVDD		DVDD	V
$V_{\text{OL}}$	Output voltage, low	$I_{\text{OH}} = 500\text{-}\mu\text{A}$ sink	0		$0.2\text{ DVDD}$	V
<b>POWER SUPPLY</b>						
AVDD	Supply voltage	Analog (AVDD to GND)	4.75 <sup>(2)</sup>	5.0	5.25	V
DVDD		Operational range	1.65	3.3	5.25	V
		For specified performance	1.65	3	3.6	V
<b>TEMPERATURE RANGE</b>						
$T_A$	Operating free-air temperature		$-40$		$+125$	$^\circ\text{C}$

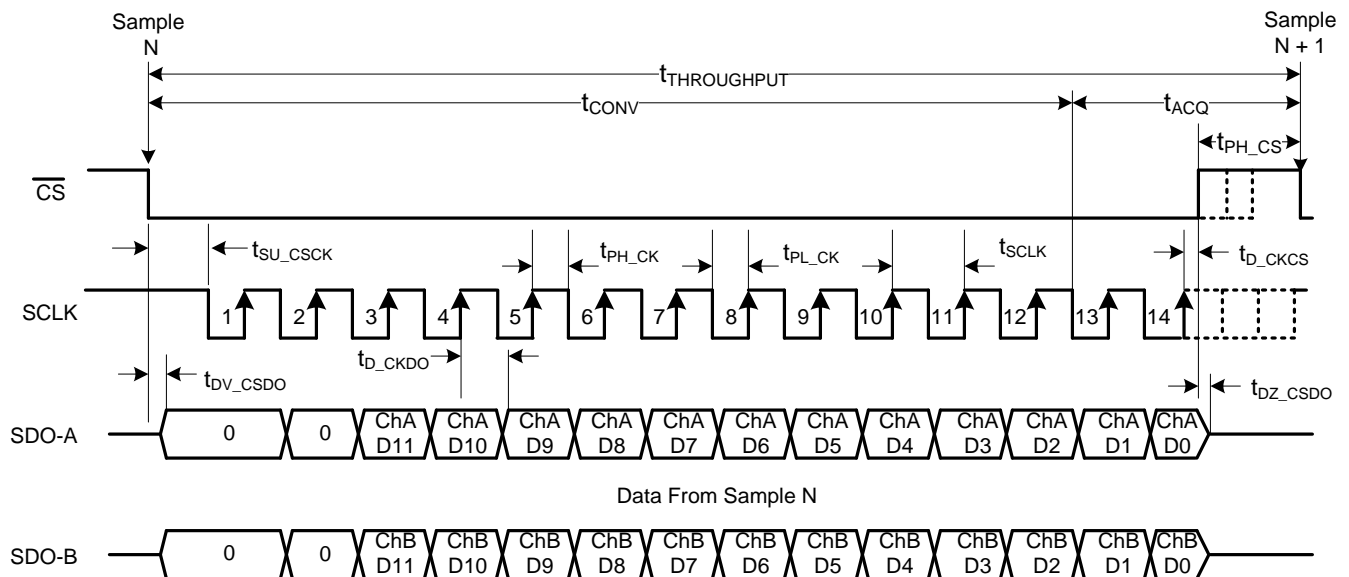
(1) Specified by design; not production tested.

(2) The AVDD supply voltage defines the permissible voltage swing on the analog input pins. Refer to the [Power Supply Recommendations](#) section for more details.

## 6.8 ADS7251 Timing Characteristics

PARAMETER		TEST CONDITIONS	MIN	TYP	MAX	UNIT
$f_{\text{THROUGHPUT}}$	Throughput	$f_{\text{CLK}} = \text{max}$			2000	kSPS
$f_{\text{CLK}}$	CLOCK frequency	$f_{\text{THROUGHPUT}} = \text{max}$			32	MHz
$t_{\text{CLK}}$	CLOCK period	$f_{\text{THROUGHPUT}} = \text{max}$	31.25			ns
$t_{\text{PH\_CK}}$	CLOCK high time		0.45		0.55	$t_{\text{CLK}}$
$t_{\text{PL\_CK}}$	CLOCK low time		0.45		0.55	$t_{\text{CLK}}$
$t_{\text{CONV}}$	Conversion time			$t_{\text{SU\_CSCK}} + 12 t_{\text{CLK}}$		ns
$t_{\text{ACQ}}$	Acquisition time	$f_{\text{CLK}} = \text{max}$	75			ns
$t_{\text{PH\_CS}}$	$\overline{\text{CS}}$ high time		30			ns
$t_{\text{D\_CKDO}}$	Delay time	SCLK rising edge to (next) data valid			15	ns
$t_{\text{DV\_CSDO}}$		$\overline{\text{CS}}$ falling to data enable			10	ns
$t_{\text{D\_CKCS}}$		Last SCLK rising to $\overline{\text{CS}}$ rising	5			ns
$t_{\text{DZ\_CSDO}}$		$\overline{\text{CS}}$ rising to DOUT going to 3-state			10	ns
$t_{\text{SU\_CSCK}}$	Setup time	$\overline{\text{CS}}$ falling to SCLK falling	15			ns

Figure 1 shows the details of the serial interface between the ADS7251 and the digital host controller.



**Figure 1. ADS7251 Serial Interface Timing Diagram**



### 6.9 ADS7851 Timing Characteristics

PARAMETER		TEST CONDITIONS	MIN	TYP	MAX	UNIT
$f_{\text{THROUGHPUT}}$	Sample taken to data read	$f_{\text{CLK}} = \text{max}$			1500	kSPS
$f_{\text{CLK}}$	CLOCK frequency	$f_{\text{THROUGHPUT}} = \text{max}$			27	MHz
$t_{\text{CLK}}$	CLOCK period	$f_{\text{THROUGHPUT}} = \text{max}$	37			ns
$t_{\text{PH\_CK}}$	CLOCK high time		0.45		0.55	$t_{\text{CLK}}$
$t_{\text{PL\_CK}}$	CLOCK low time		0.45		0.55	$t_{\text{CLK}}$
$t_{\text{CONV}}$	Conversion time			$t_{\text{SU\_CSCK}} + 14 t_{\text{CLK}}$		ns
$t_{\text{ACQ}}$	Acquisition time	$f_{\text{CLK}} = \text{max}$	90			ns
$t_{\text{PH\_CS}}$	$\overline{\text{CS}}$ high time		30			ns
$t_{\text{D\_CKDO}}$	Delay time	SCLK rising edge to (next) data valid			15	ns
$t_{\text{DV\_CSDO}}$		$\overline{\text{CS}}$ falling to data enable			10	ns
$t_{\text{D\_CKCS}}$		Last SCLK rising to $\overline{\text{CS}}$ rising	5			ns
$t_{\text{DZ\_CSDO}}$		$\overline{\text{CS}}$ rising to DOUT going to 3-state			10	ns
$t_{\text{SU\_CSCK}}$	Setup time	$\overline{\text{CS}}$ falling to SCLK falling	15			ns

Figure 2 shows the details of the serial interface between the ADS7851 and the digital host controller.

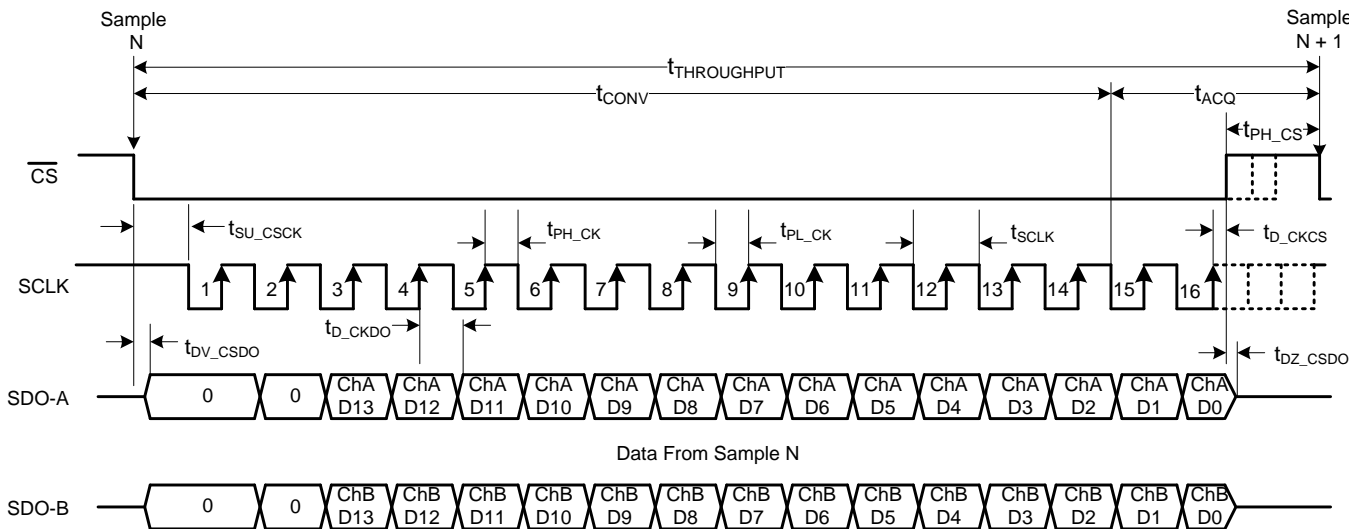


Figure 2. ADS7851 Serial Interface Timing Diagram

### 6.10 Typical Characteristics: ADS7251

At  $T_A = +25^\circ\text{C}$ ,  $AVDD = 5\text{ V}$ ,  $DVDD = 3.3\text{ V}$ ,  $V_{REF} = 2.5\text{ V}$  (internal), and  $f_{DATA} = 1\text{ MSPS}$ , unless otherwise noted.

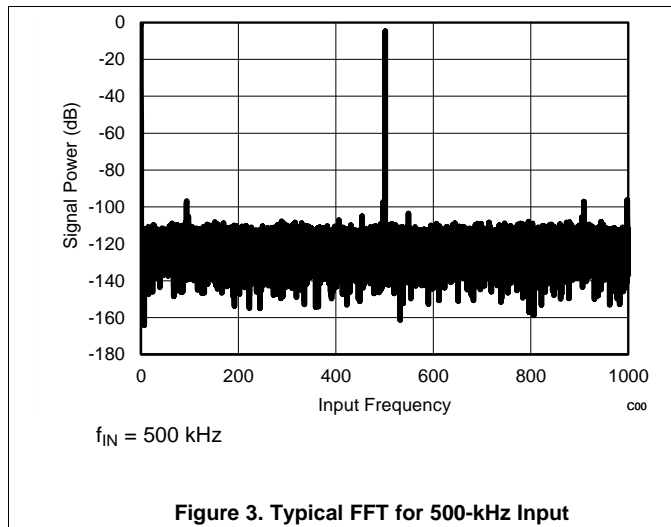


Figure 3. Typical FFT for 500-kHz Input

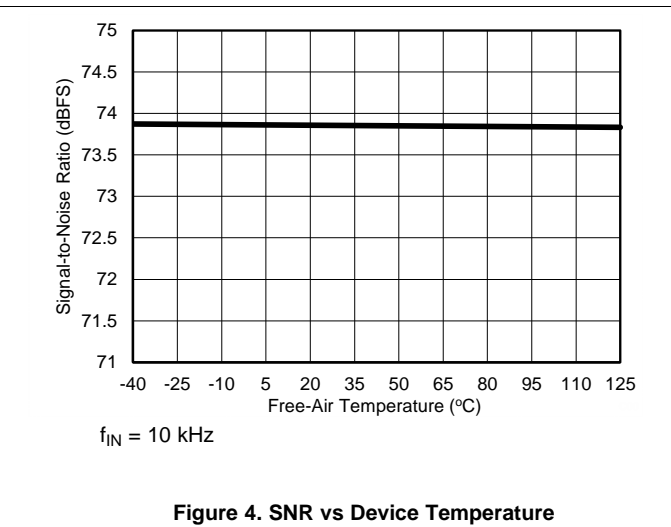


Figure 4. SNR vs Device Temperature

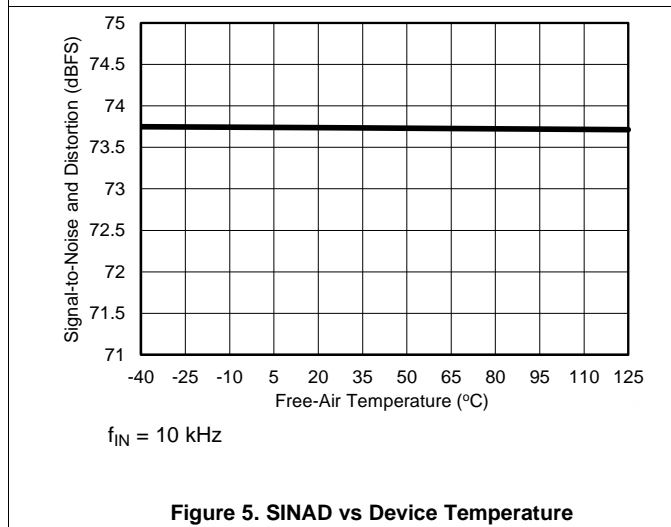


Figure 5. SINAD vs Device Temperature

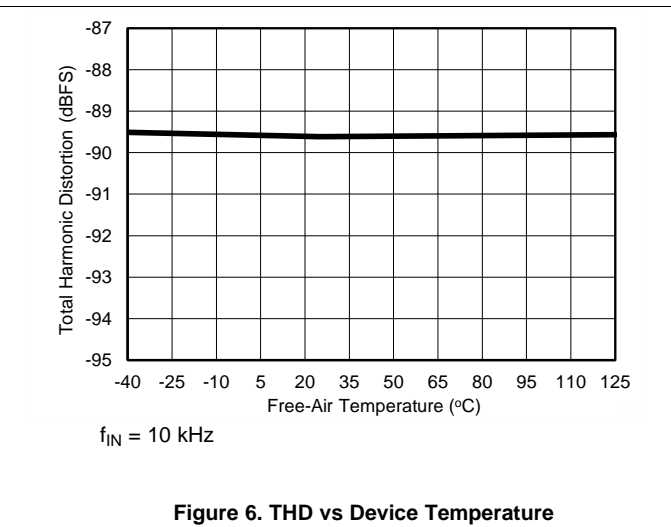


Figure 6. THD vs Device Temperature

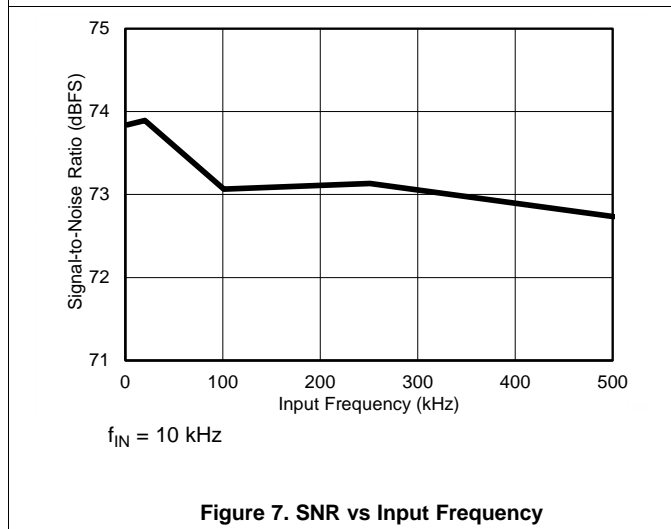


Figure 7. SNR vs Input Frequency

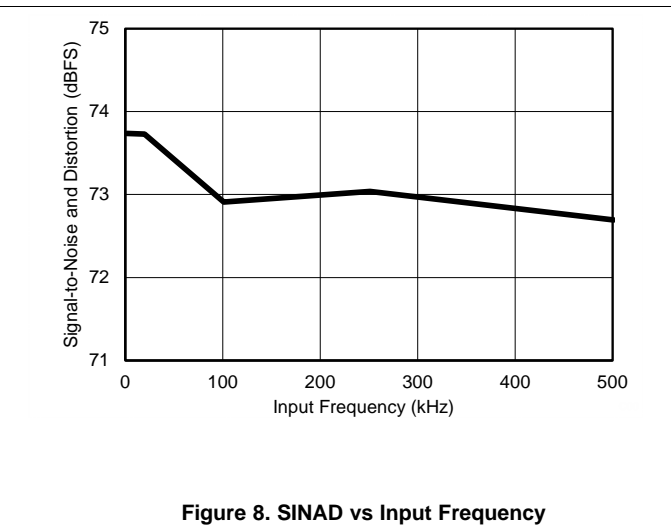
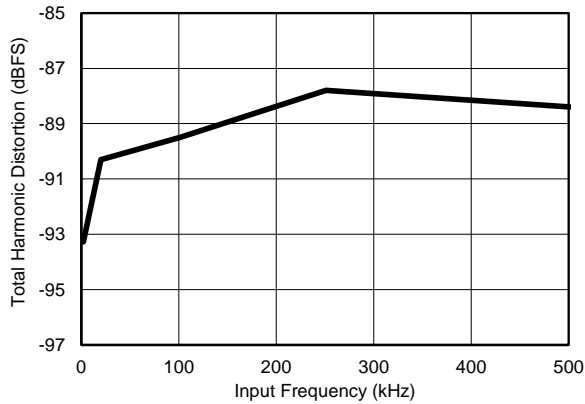


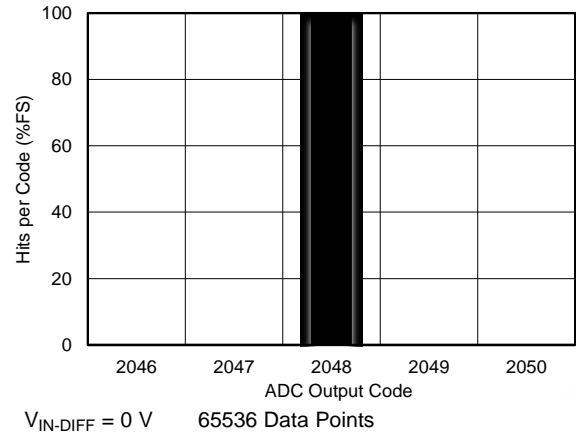
Figure 8. SINAD vs Input Frequency

**Typical Characteristics: ADS7251 (continued)**

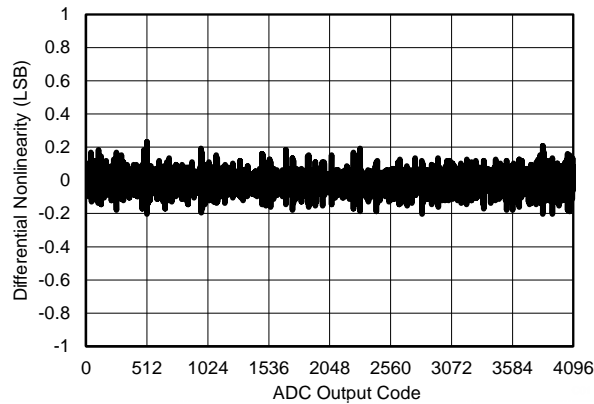
At  $T_A = +25^\circ\text{C}$ ,  $AVDD = 5\text{ V}$ ,  $DVDD = 3.3\text{ V}$ ,  $V_{REF} = 2.5\text{ V}$  (internal), and  $f_{DATA} = 1\text{ MSPS}$ , unless otherwise noted.



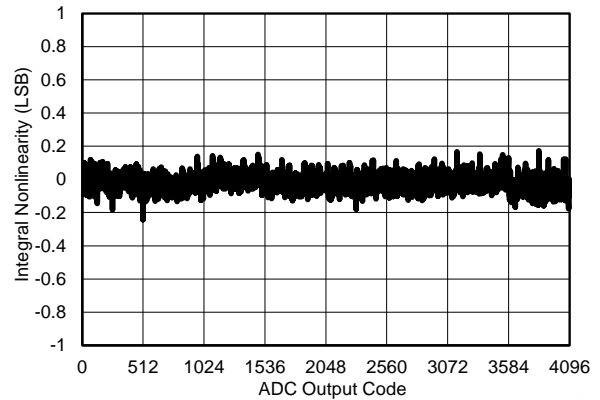
**Figure 9. THD vs Input Frequency**



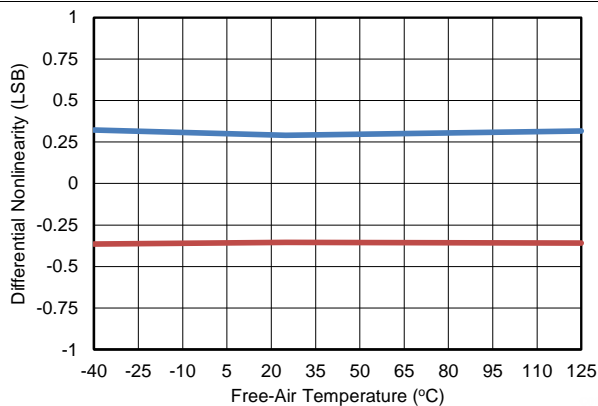
**Figure 10. DC Histogram**



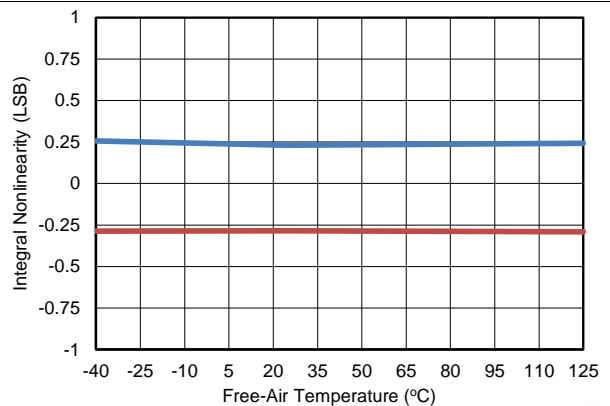
**Figure 11. Typical DNL**



**Figure 12. Typical INL**



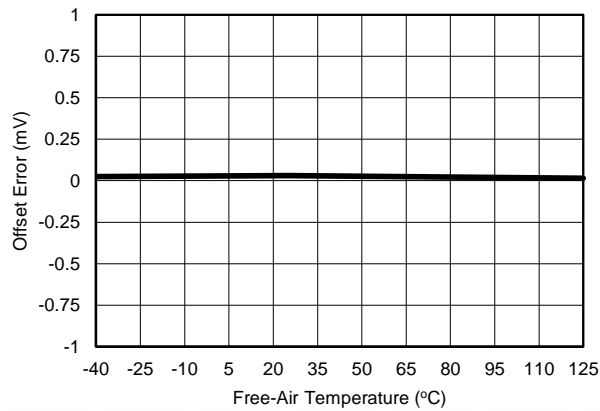
**Figure 13. DNL vs Device Temperature**



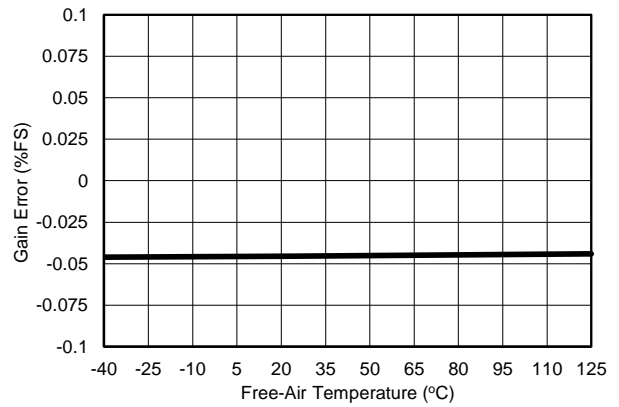
**Figure 14. INL vs Device Temperature**

**Typical Characteristics: ADS7251 (continued)**

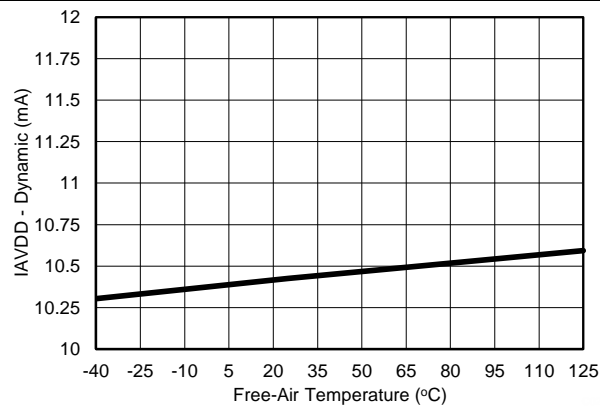
At  $T_A = +25^\circ\text{C}$ ,  $AVDD = 5\text{ V}$ ,  $DVDD = 3.3\text{ V}$ ,  $V_{REF} = 2.5\text{ V}$  (internal), and  $f_{DATA} = 1\text{ MSPS}$ , unless otherwise noted.



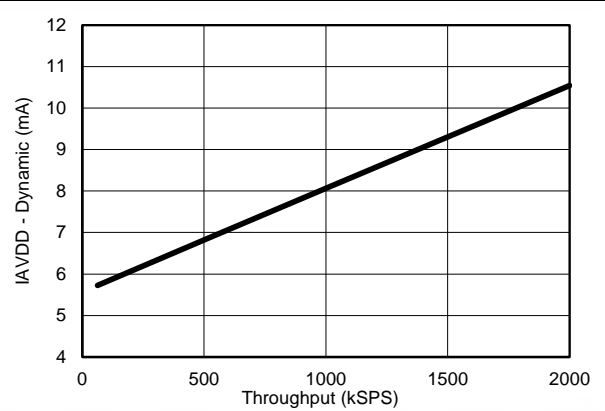
**Figure 15. Offset Error vs Device Temperature**



**Figure 16. Gain Error vs Device Temperature**



**Figure 17. I<sub>AVDD</sub> vs Device Temperature**



**Figure 18. I<sub>AVDD</sub> vs Throughput**

### 6.11 Typical Characteristics: ADS7851

At  $T_A = +25^\circ\text{C}$ ,  $AVDD = 5\text{ V}$ ,  $DVDD = 3.3\text{ V}$ ,  $V_{REF} = 2.5\text{ V}$  (internal), and  $f_{DATA} = 1\text{ MSPS}$ , unless otherwise noted.

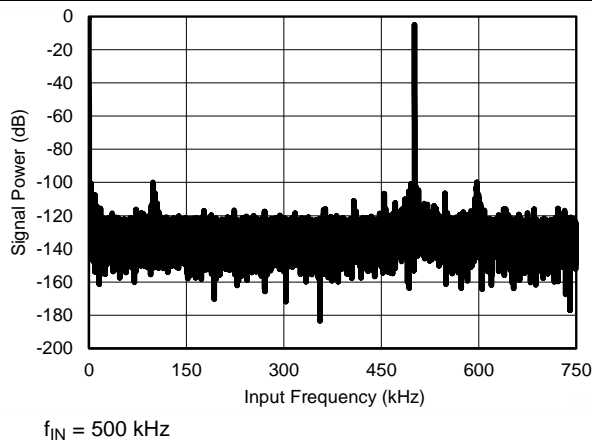


Figure 19. Typical FFT for 500-kHz Input

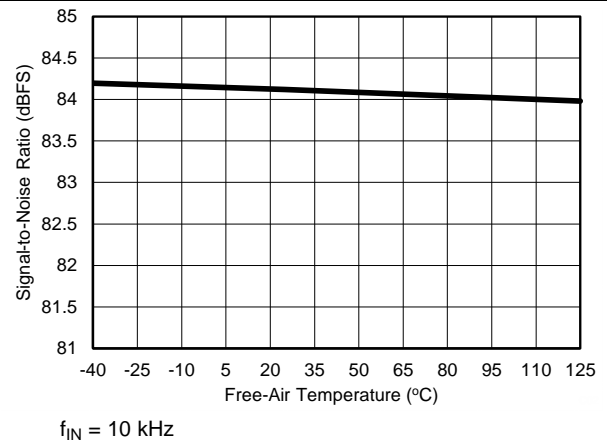


Figure 20. SNR vs Device Temperature

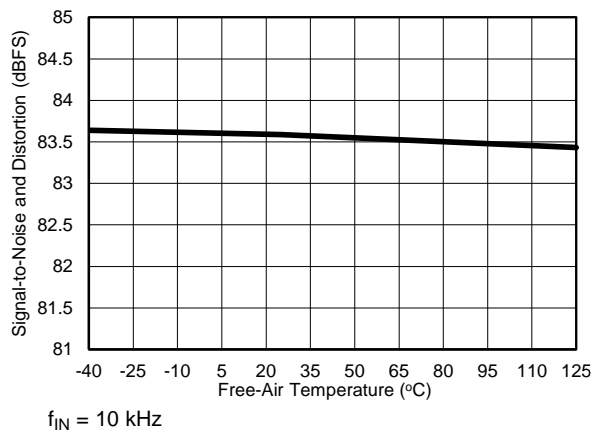


Figure 21. SINAD vs Device Temperature

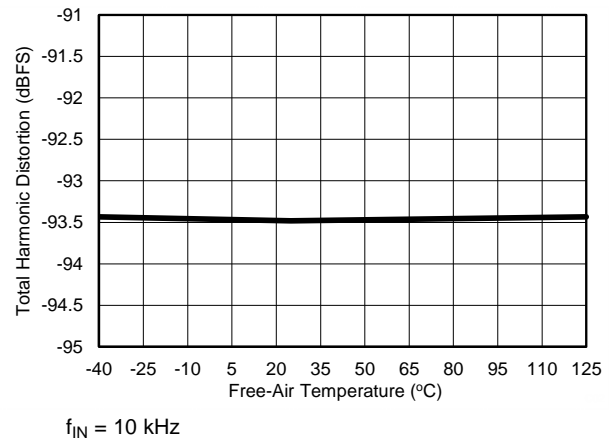


Figure 22. THD vs Device Temperature

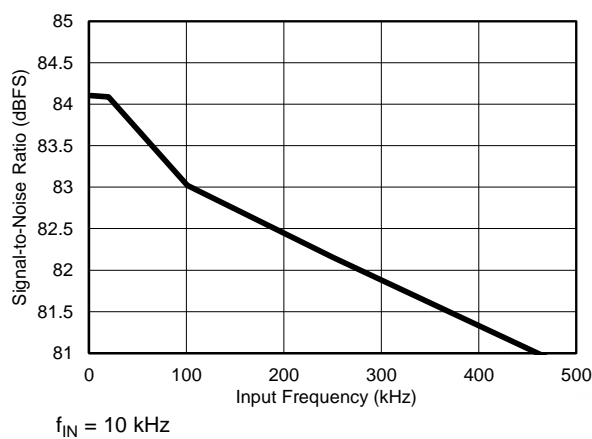


Figure 23. SNR vs Input Frequency

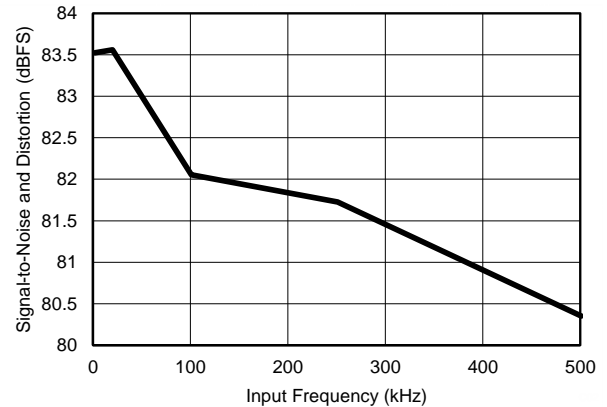
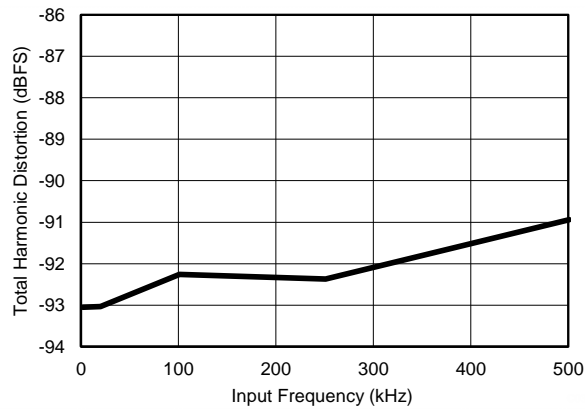
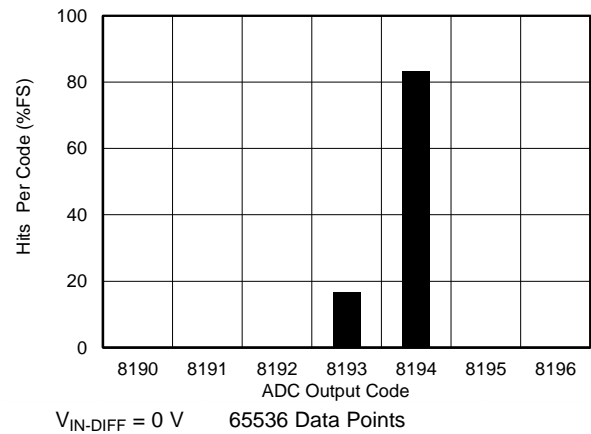
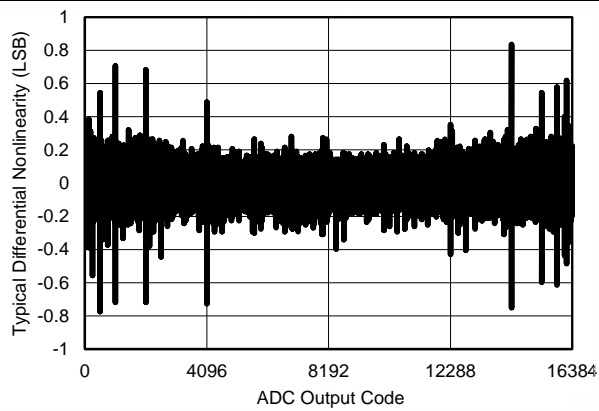
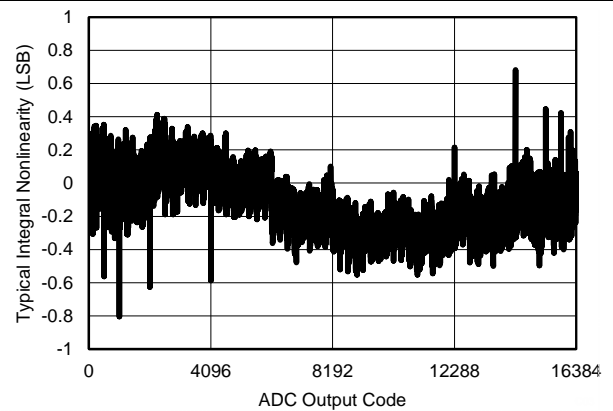
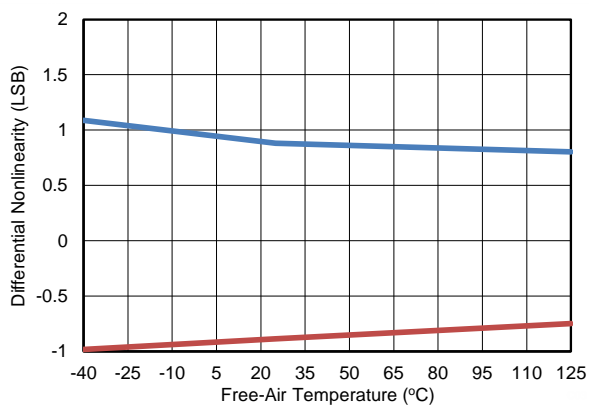
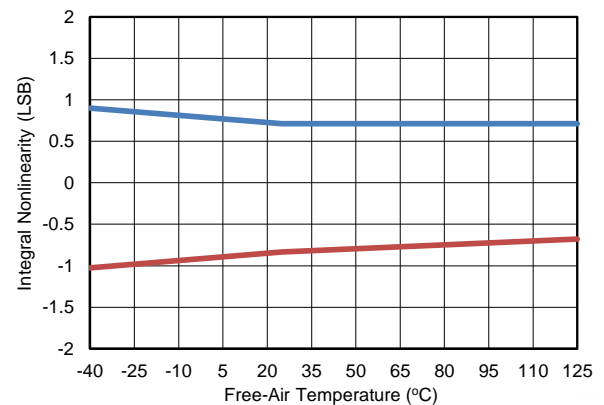


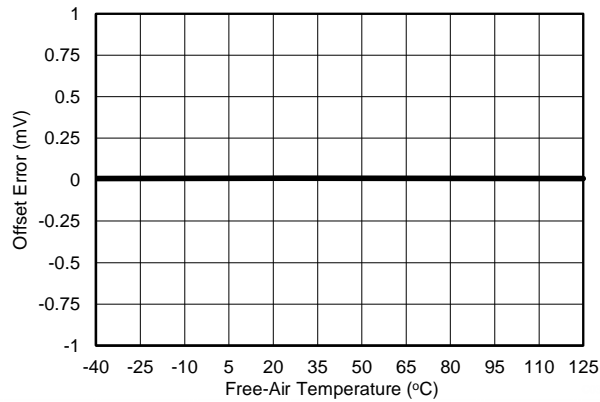
Figure 24. SINAD vs Input Frequency

**Typical Characteristics: ADS7851 (continued)**

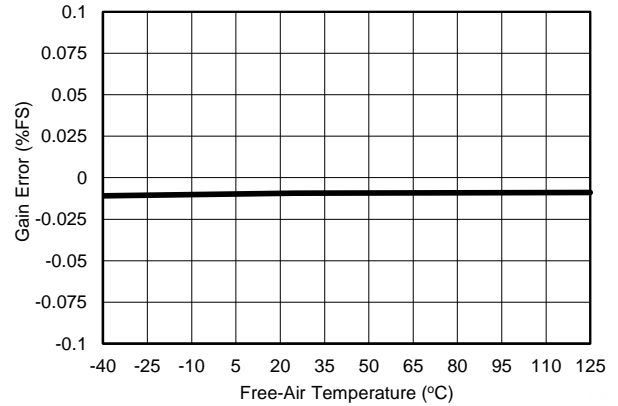
 At  $T_A = +25^\circ\text{C}$ ,  $AVDD = 5\text{ V}$ ,  $DVDD = 3.3\text{ V}$ ,  $V_{REF} = 2.5\text{ V}$  (internal), and  $f_{DATA} = 1\text{ MSPS}$ , unless otherwise noted.

**Figure 25. THD vs Input Frequency**

**Figure 26. DC Histogram**

**Figure 27. Typical DNL**

**Figure 28. Typical INL**

**Figure 29. DNL vs Device Temperature**

**Figure 30. INL vs Device Temperature**

**Typical Characteristics: ADS7851 (continued)**

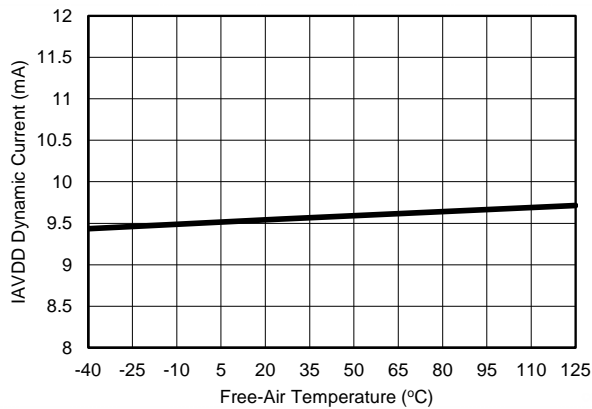
At  $T_A = +25^\circ\text{C}$ ,  $AV_{DD} = 5\text{ V}$ ,  $DV_{DD} = 3.3\text{ V}$ ,  $V_{REF} = 2.5\text{ V}$  (internal), and  $f_{DATA} = 1\text{ MSPS}$ , unless otherwise noted.



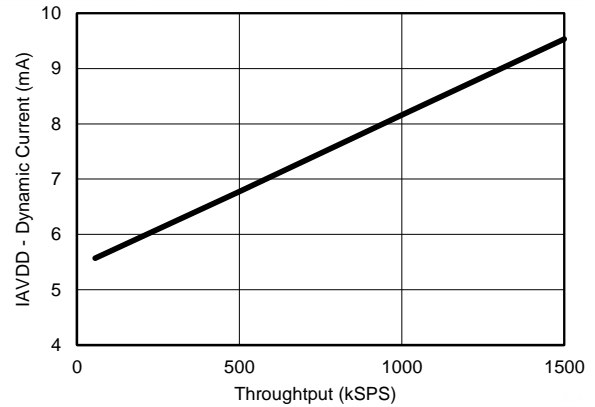
**Figure 31. Offset Error vs Device Temperature**



**Figure 32. Gain Error vs Device Temperature**



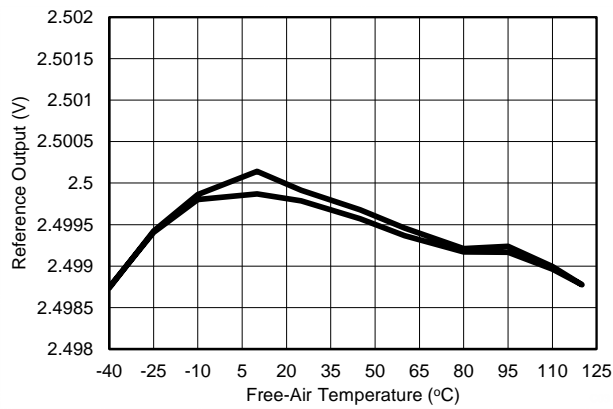
**Figure 33.  $I_{AVDD}$  vs Device Temperature**



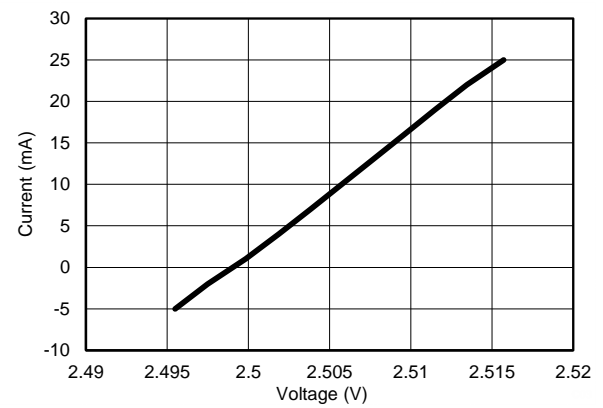
**Figure 34.  $I_{AVDD}$  vs Throughput**

## 6.12 Typical Characteristics: Common

At  $T_A = +25^\circ\text{C}$ ,  $AVDD = 5\text{ V}$ ,  $DVDD = 3.3\text{ V}$ , and  $V_{REF} = 2.5\text{ V}$  (internal), unless otherwise noted.

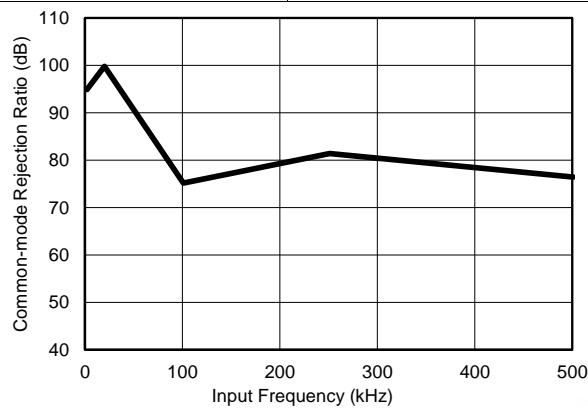


**Figure 35. Reference Output vs Device Temperature**



$R_{out} = 0.75\ \Omega$  Typ

**Figure 36. Internal Reference: Output Current vs Output Voltage**



**Figure 37. CMRR vs Input Frequency**

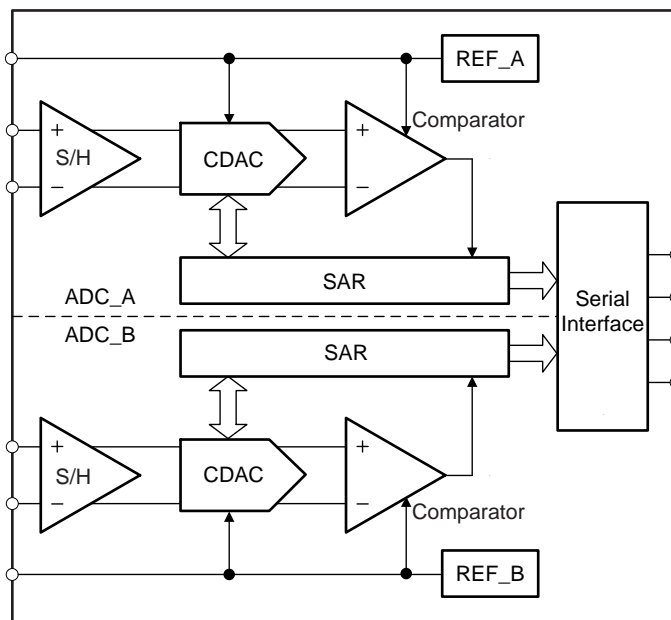


## 7 Detailed Description

### 7.1 Overview

The ADS7251 and ADS7851 are pin-compatible, dual, simultaneous-sampling, analog-to-digital converters (ADCs). Each device features two independent internal voltage references and supports fully-differential input signals with the input common-mode on each input pin equal to the reference voltage. The full-scale input signal on each input pin is equal to twice the reference voltage. The devices provide a simple, serial interface to the host controller and operate over a wide range of digital power supplies.

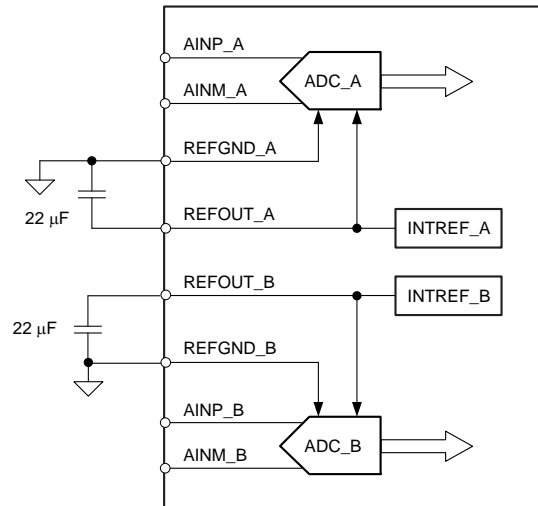
### 7.2 Functional Block Diagram



## 7.3 Feature Description

### 7.3.1 Reference

The device has two simultaneous sampling ADCs (ADC\_A and ADC\_B) and two independent internal reference sources (INTREF\_A and INTREF\_B). INTREF\_A outputs voltage  $V_{REF\_A}$  on pin REFOUT\_A and INTREF\_B outputs voltage  $V_{REF\_B}$  on pin REFOUT\_B. As shown in Figure 38, the REFOUT\_A and REFOUT\_B pins must be decoupled with the REFGND\_A and REFGND\_B pins, respectively, with individual 22- $\mu$ F decoupling capacitors. ADC\_A operates with reference voltage  $V_{REF\_A}$  and ADC\_B operates with reference voltage  $V_{REF\_B}$ .



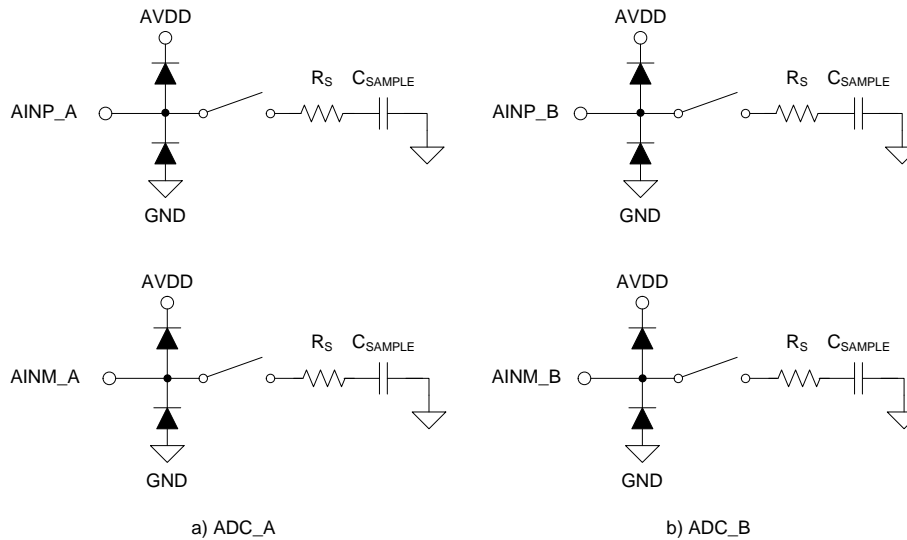
**Figure 38. Reference Block Diagram**

## Feature Description (continued)

### 7.3.2 Analog Input

The devices support fully-differential analog input signals. These inputs are sampled and converted simultaneously by the two ADCs, ADC\_A and ADC\_B. Figure 39a and Figure 39b show equivalent circuits for the ADC\_A and ADC\_B analog input pins, respectively.

Series resistance ( $R_S$ ) represents the on-state sampling switch resistance (typically 50  $\Omega$ ) and  $C_{SAMPLE}$  is the device sampling capacitor (typically 40 pF). ADC\_A samples  $V_{AINP\_A}$  and  $V_{AINM\_A}$  and converts for the difference voltage ( $V_{AINP\_A} - V_{AINM\_A}$ ). ADC\_B samples  $V_{AINP\_B}$  and  $V_{AINM\_B}$  and converts for the difference voltage ( $V_{AINP\_B} - V_{AINM\_B}$ ).



**Figure 39. Equivalent Circuit for the Analog Input Pins**

#### 7.3.2.1 Analog Input Full-Scale Range

The analog input full-scale range (FSR) for ADC\_A and ADC\_B is twice the reference voltage provided to the particular ADC. Therefore, the FSR for ADC\_A and ADC\_B can be determined by Equation 1 and Equation 2, respectively:

$$FSR\_ADC\_A = 2 \times V_{REF\_A}, \quad (1)$$

$$V_{AINP\_A} \text{ and } V_{AINM\_A} = 0 \text{ to } 2 \times V_{REF\_A},$$

$$FSR\_ADC\_B = 2 \times V_{REF\_B}, \quad (2)$$

$$V_{AINP\_B} \text{ and } V_{AINM\_B} = 0 \text{ to } 2 \times V_{REF\_B}$$

To use the full dynamic input range on the analog input pins, AVDD must be as shown in Equation 3, Equation 4, and Equation 5:

$$AVDD \geq 2 \times V_{REF\_A} \quad (3)$$

$$AVDD \geq 2 \times V_{REF\_B} \quad (4)$$

$$4.5 \text{ V} \leq AVDD \leq 5.5 \text{ V} \quad (5)$$

#### 7.3.2.2 Common-Mode Voltage Range

For the analog input, the devices support a common-mode voltage equal to the reference voltage provided to the ADC. Therefore, the common-mode voltage for the ADC\_A and ADC\_B must be as shown in Equation 6 and Equation 7, respectively.

$$V_{CM\_A} = V_{REF\_A} \quad (6)$$

$$V_{CM\_B} = V_{REF\_B} \quad (7)$$

## Feature Description (continued)

### 7.3.3 ADC Transfer Function

The device output is in two's complement format. Device resolution for the fully-differential input can be computed by [Equation 8](#):

$$1 \text{ LSB} = (4 \times V_{\text{REF}}) / (2^N)$$

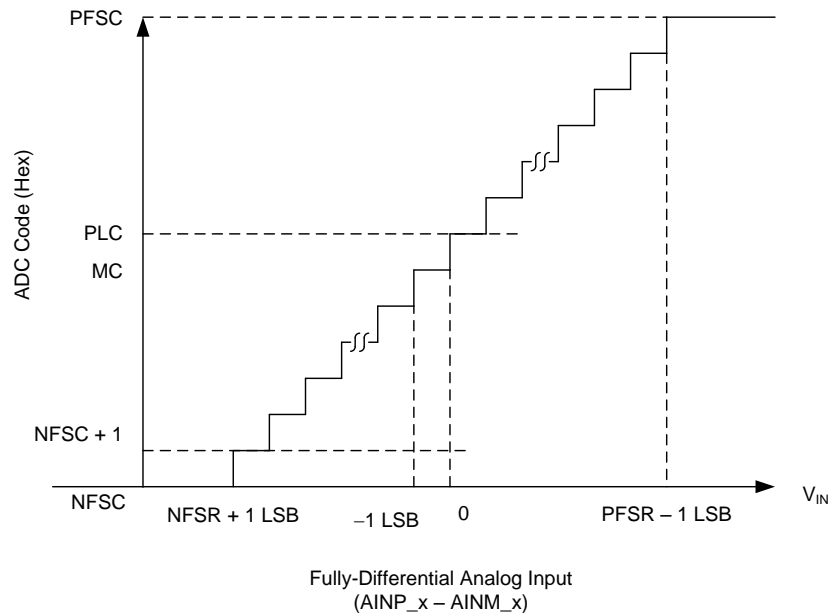
where:

- $V_{\text{REF}} = V_{\text{REF\_A}} = V_{\text{REF\_B}}$ , and
- $N = 12$  (ADS7251), or  $14$  (ADS7851). (8)

[Table 1](#) shows the different input voltages and the corresponding device output codes. [Figure 40](#) shows the ideal transfer characteristics for the device.

**Table 1. Transfer Characteristics**

INPUT VOLTAGE (AINP_x – AINM_x)	OUTPUT CODE (Hex)		
	CODE	ADS7251	ADS7851
$< -2 \times V_{\text{REF}}$	NFSC	800	2000
$-2 \times V_{\text{REF}} + 1 \text{ LSB}$	NFSC + 1	801	2001
$-1 \text{ LSB}$	MC	FFF	3FFF
0	PLC	000	0000
$> 2 \times V_{\text{REF}} - 1 \text{ LSB}$	PFSC	7FF	1FFF



**Figure 40. Ideal Transfer Characteristics**

## 7.4 Device Functional Modes

### 7.4.1 Serial Interface

The devices support a simple, SPI-compatible interface to the external digital host. The  $\overline{CS}$  signal defines one conversion and serial transfer frame. A frame starts with a  $\overline{CS}$  falling edge and ends with a  $\overline{CS}$  rising edge. The SDO\_A and SDO\_B pins output the ADC\_A and ADC\_B conversion results, respectively. Figure 41 shows a detailed timing diagram for the ADS7251.

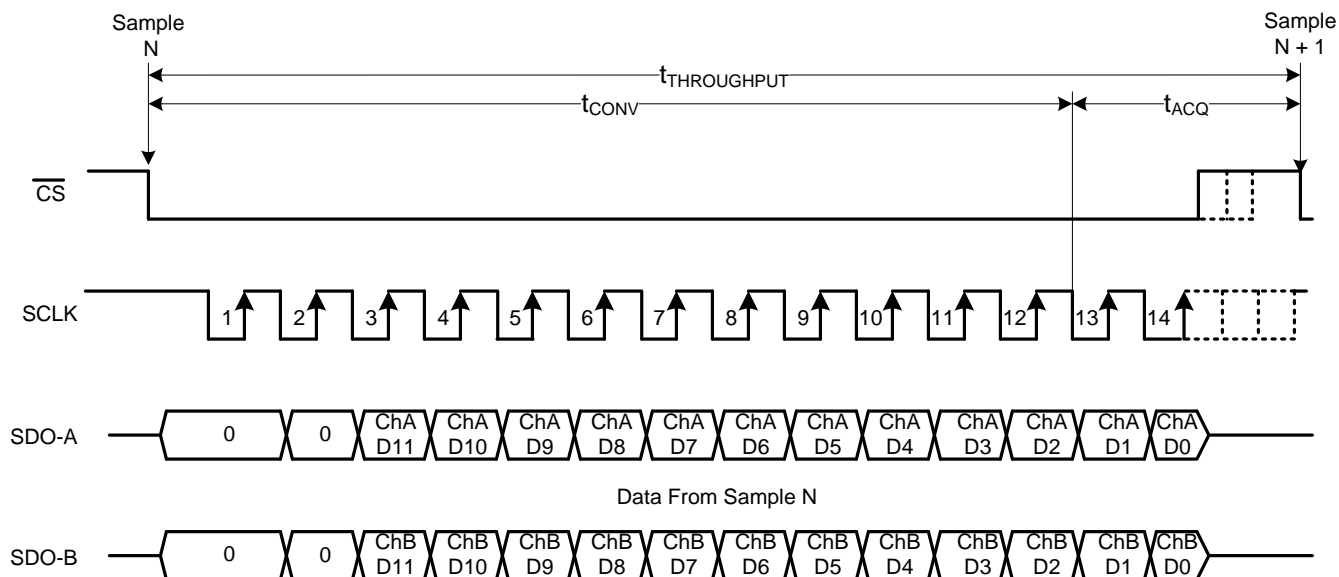


Figure 41. ADS7251 Serial Interface Timing Diagram

Figure 42 shows a detailed timing diagram for the ADS7851.

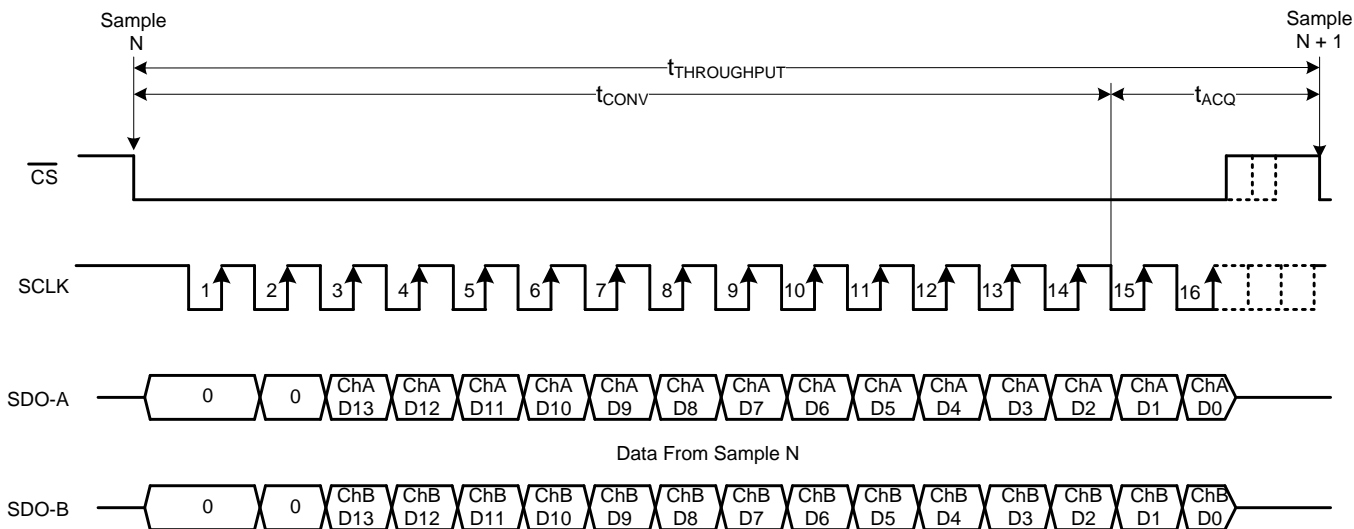


Figure 42. ADS7851 Serial Interface Timing Diagram

## Device Functional Modes (continued)

A  $\overline{CS}$  falling edge brings the serial data bus out of 3-state and also outputs '0' on the SDO\_A and SDO\_B pins. A minimum delay of  $t_{SU\_CSCK}$  must elapse between the  $\overline{CS}$  falling edge and the first SCLK falling edge. The subsequent clock edges are used to shift out the conversion result using the serial interface, as shown in Table 2. The sample-and-hold circuit returns to sample mode as soon as the conversion process is over. Any extra clock edges output a '0' on the SDO pins. A  $\overline{CS}$  rising edge ends the frame and brings the serial data bus to 3-state.

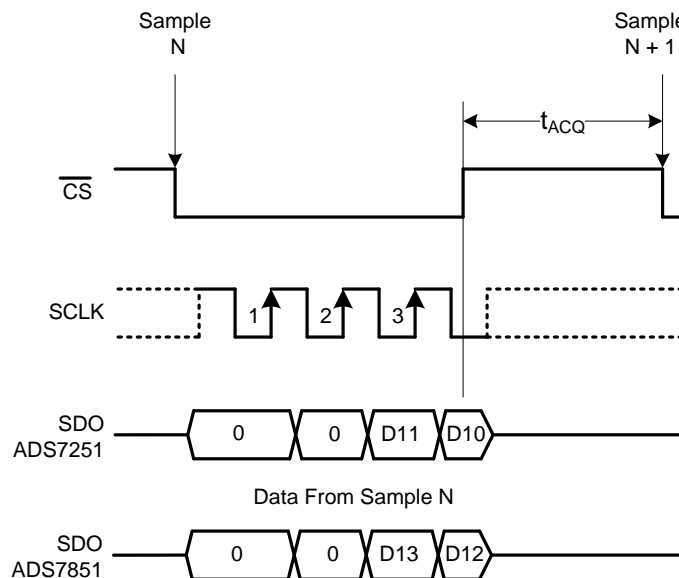
**Table 2. Data Launch Edge**

DEVICE	PIN	LAUNCH EDGE									
		$\overline{CS}\downarrow$	SCLK								$\overline{CS}\uparrow$
			$\downarrow 1$	$\downarrow 2$	...	$\downarrow 13$	$\downarrow 14$	$\downarrow 15$	$\downarrow 16$	...	
ADS7851	SDO-A	0	0	D13_A	...	D2_A	D1_A	D0_A	0	...	Hi-Z
	SDO-B	0	0	D13_B	...	D2_B	D1_B	D0_B	0	...	Hi-Z
ADS7251	SDO-A	0	0	D11_A	...	D0_A	0	0	0	...	Hi-Z
	SDO-B	0	0	D11_B	...	D0_B	0	0	0	...	Hi-Z

### 7.4.2 Short-Cycling Feature

For the ADS7851, a minimum of 16 SCLK rising edges must be provided between the beginning and end of the frame to complete the 14-bit data transfer. For the ADS7251, a minimum of 14 SCLK rising edges must be provided between the beginning and end of the frame to complete the 12-bit data transfer. As shown in Figure 43, if  $\overline{CS}$  is brought high before the expected number of SCLK rising edges are provided, the current frame is aborted and the device starts sampling the new analog input signal. However, the output data bits latched into the digital host before this  $\overline{CS}$  rising edge are still valid data corresponding to sample  $N$ .

After aborting the current frame,  $\overline{CS}$  must be kept high for  $t_{ACQ}$  to ensure minimum acquisition time is provided for the next conversion.


**Figure 43. Short-Cycling Feature**

## 8 Application and Implementation

### 8.1 Application Information

The two primary circuits required to maximize the performance of a high-precision, successive approximation register (SAR), analog-to-digital converter (ADC) are the input driver and the reference driver circuits. The ADS7851 and ADS7251 feature an internal reference designed to support device requirements. This section details some general principles for designing the input driver circuit and provides some application circuits designed using these devices.

### 8.2 Typical Application

The application circuit shown in Figure 44 is optimized for using the ADS7251 at a 2-MSPS throughput to achieve lowest distortion and lowest noise for input signal frequencies up to 100 kHz.

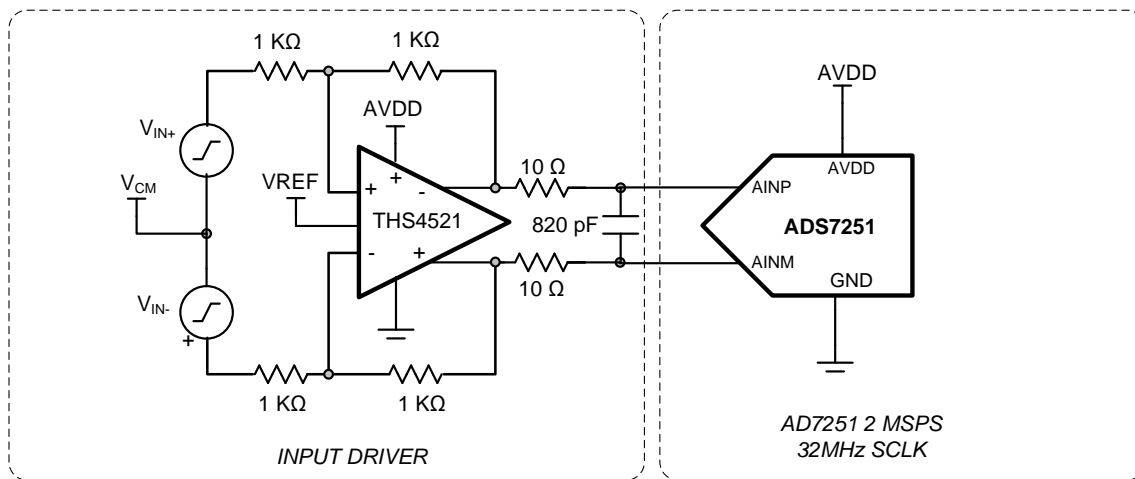


Figure 44. ADS7251 DAQ Circuit: Maximum SINAD for Input Signal Frequencies up to 100 kHz

The application circuit shown in Figure 45 is optimized for using the ADS7851 at a 1.5-MSPS throughput to achieve lowest distortion and lowest noise for input signal frequencies up to 100 kHz.

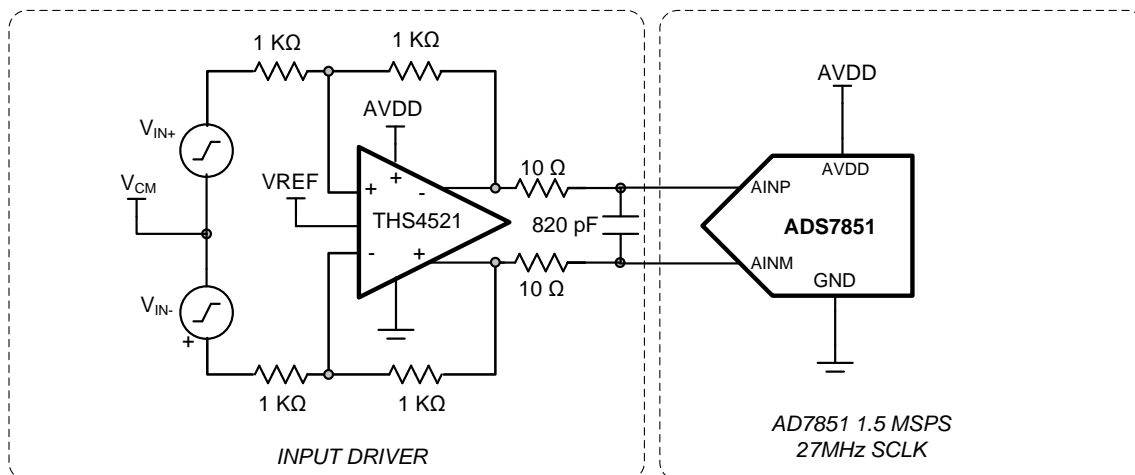


Figure 45. ADS7851 DAQ Circuit: Maximum SINAD for Input Signal Frequencies up to 100 kHz

## Typical Application (continued)

### 8.2.1 Design Requirements

For the ADS7251, design an input driver and reference driver circuit to achieve > 71-dB SNR and < –90-dB THD at input frequencies of 10 kHz and 100 kHz.

For the ADS7851, design an input driver and reference driver circuit to achieve > 81-dB SNR and < –90-dB THD at input frequencies of 10 kHz and 100 kHz.

### 8.2.2 Detailed Design Procedure

The input driver circuit for a high-precision ADC mainly consists of two parts: a driving amplifier and an antialiasing filter. Careful design of the front-end circuit is critical to meet the linearity and noise performance of a high-precision ADC.

#### 8.2.2.1 Input Amplifier Selection

Selection criteria for the input amplifiers is highly dependent on the input signal type and the performance goals of the data acquisition system. Some key amplifier specifications to consider while selecting an appropriate amplifier to drive the inputs of the ADC are:

- *Small-signal bandwidth.* Select the small-signal bandwidth of the input amplifiers to be as high as possible after meeting the power budget of the system. Higher bandwidth reduces the closed-loop output impedance of the amplifier, thus allowing the amplifier to more easily drive the low cutoff frequency RC filter at the ADC inputs. Higher bandwidth also minimizes the harmonic distortion at higher input frequencies. In order to maintain the overall stability of the input driver circuit, the amplifier bandwidth should be selected as described in [Equation 9](#):

$$\text{Unity – Gain Bandwidth} \geq 4 \times \left( \frac{1}{2\pi \times R_{\text{FLT}} \times C_{\text{FLT}}} \right) \quad (9)$$

- *Noise.* Noise contribution of the front-end amplifiers should be as low as possible to prevent any degradation in SNR performance of the system. As a rule of thumb, to ensure that the noise performance of the data acquisition system is not limited by the front-end circuit, the total noise contribution from the front-end circuit should be kept below 20% of the input-referred noise of the ADC. Noise from the input driver circuit is bandlimited by designing a low cutoff frequency RC filter, as explained in [Equation 10](#).

$$N_G \times \sqrt{2} \times \sqrt{\left( \frac{V_{1/f_{\text{AMP\_PP}}}}{6.6} \right)^2 + e_{n\_RMS}^2 \times \frac{\pi}{2} \times f_{-3dB}} \leq \frac{1}{5} \times \frac{V_{\text{REF}}}{\sqrt{2}} \times 10^{-\left( \frac{\text{SNR(dB)}}{20} \right)}$$

where:

- $V_{1/f_{\text{AMP\_PP}}}$  is the peak-to-peak flicker noise in  $\mu V_{\text{RMS}}$ ,
- $e_{n\_RMS}$  is the amplifier broadband noise density in  $nV/\sqrt{\text{Hz}}$ ,
- $f_{-3dB}$  is the 3-dB bandwidth of the RC filter, and
- $N_G$  is the noise gain of the front-end circuit, which is equal to '1' in a buffer configuration. (10)
- *Distortion.* Both the ADC and the input driver introduce nonlinearity in a data acquisition block. As a rule of thumb, to ensure that the distortion performance of the data acquisition system is not limited by the front-end circuit, the distortion of the input driver should be at least 10 dB lower than the distortion of the ADC, as shown in [Equation 11](#).

$$\text{THD}_{\text{AMP}} \leq \text{THD}_{\text{ADC}} - 10 \text{ (dB)} \quad (11)$$

- *Settling Time.* For dc signals with fast transients that are common in a multiplexed application, the input signal must settle to the desired accuracy at the inputs of the ADC during the acquisition time window. This condition is critical to maintain the overall linearity performance of the ADC. Typically, the amplifier data sheets specify the output settling performance only up to 0.1% to 0.001%, which may not be sufficient for the desired accuracy. Therefore, the settling behavior of the input driver should always be verified by TINA™-SPICE simulations before selecting the amplifier.



## Typical Application (continued)

The distortion resulting from variation in the common-mode signal is eliminated by using a fully-differential amplifier (FDA) in an inverting gain configuration that establishes a fixed common-mode level at the ADC input. This configuration also eliminates the requirement of rail-to-rail swing at the amplifier input. The low-power THS4521, used as an input driver, provides exceptional ac performance because of its extremely low-distortion and high-bandwidth specifications. The device REFOUT\_x pin can be directly connected to the V<sub>OCM</sub> pin of the THS4521 to set the output common-mode voltage to 2.5 V, as required by the ADC.

### 8.2.2.2 Antialiasing Filter

Converting analog-to-digital signals requires sampling an input signal at a constant rate. Any higher frequency content in the input signal beyond half the sampling frequency is digitized and folded back into the low-frequency spectrum. This process is called *aliasing*. Therefore, an analog, antialiasing filter must be used to remove the harmonic content from the input signal before being sampled by the ADC. An antialiasing filter is designed as a low-pass, RC filter, for which the 3-dB bandwidth is optimized based on specific application requirements (as shown in Figure 46). For dc signals with fast transients (including multiplexed input signals), a high-bandwidth filter is designed to allow accurately settling the signal at the ADC inputs during the small acquisition time window. For ac signals, the filter bandwidth should be kept low to band-limit the noise fed into the ADC input, thereby increasing the signal-to-noise ratio (SNR) of the system.

Besides filtering the noise from the front-end drive circuitry, the RC filter also helps attenuate the sampling charge injection from the switched-capacitor input stage of the ADC. A filter capacitor, C<sub>FLT</sub>, is connected across the ADC inputs. This capacitor helps reduce the sampling charge injection and provides a charge bucket to quickly charge the internal sample-and-hold capacitors during the acquisition process. As a rule of thumb, the value of this capacitor should be at least 10 times the specified value of the ADC sampling capacitance. For these devices, the input sampling capacitance is equal to 40 pF. Thus, the value of C<sub>FLT</sub> should be greater than 400 pF. The capacitor should be a COG- or NPO-type because these capacitor types have a high-Q, low-temperature coefficient, and stable electrical characteristics under varying voltages, frequency, and time.

Note that driving capacitive loads can degrade the phase margin of the input amplifiers, thus making the amplifier marginally unstable. To avoid amplifier stability issues, series isolation resistors (R<sub>FLT</sub>) are used at the output of the amplifiers. A higher value of R<sub>FLT</sub> is helpful from the amplifier stability perspective, but adds distortion as a result of interactions with the nonlinear input impedance of the ADC. Distortion increases with source impedance, input signal frequency, and input signal amplitude. Therefore, the selection of R<sub>FLT</sub> requires balancing the stability and distortion of the design. For these devices, TI recommends limiting the value of R<sub>FLT</sub> to a maximum of 22 Ω in order to avoid any significant degradation in linearity performance. The tolerance of the selected resistors can be chosen as 1% because the use of a differential capacitor at the input balances the effects resulting from any resistor mismatch.

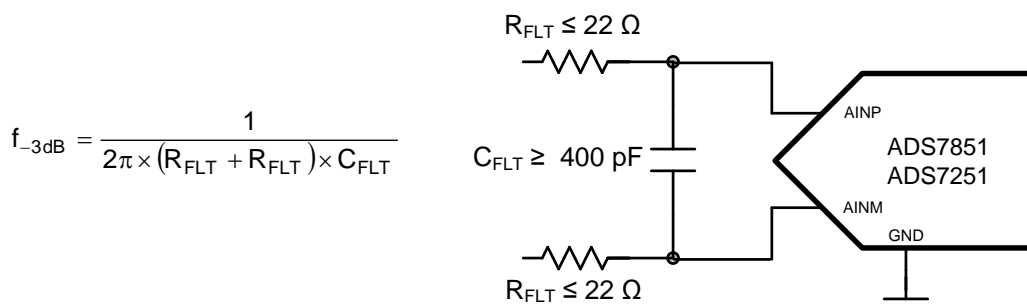


Figure 46. Antialiasing Filter

The input amplifier bandwidth should be much higher than the cutoff frequency of the antialiasing filter. TI strongly recommends performing a SPICE simulation to confirm that the amplifier has more than 40° phase margin with the selected filter. Simulation is critical because even with high-bandwidth amplifiers, some amplifiers might require more bandwidth than others to drive similar filters. If an amplifier has less than a 40° phase margin with 22-Ω resistors, using a different amplifier with higher bandwidth or reducing the filter cutoff frequency with a larger differential capacitor is advisable.

In addition, the components of the antialiasing filter are such that the noise from the front-end circuit is kept low without adding distortion to the input signal.

Typical Application (continued)

8.2.3 Application Curves

Figure 47 shows an FFT plot for the ADS7251 with the circuit shown in Figure 44 and an input frequency of 10 kHz. Figure 48 shows an FFT plot for the ADS7251 with the same circuit configuration but for an input frequency of 100 kHz.

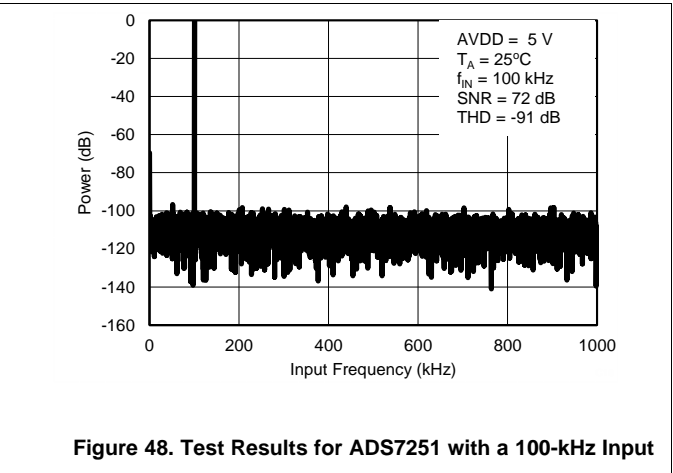
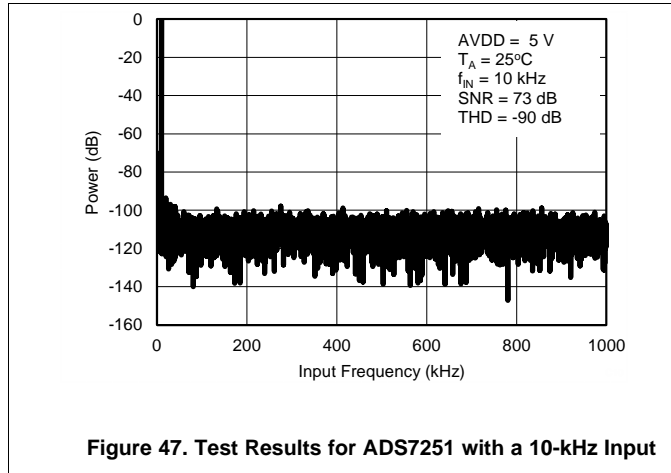
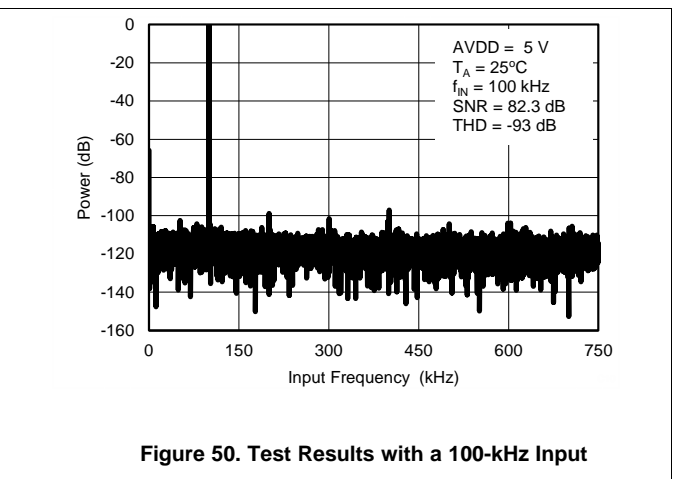
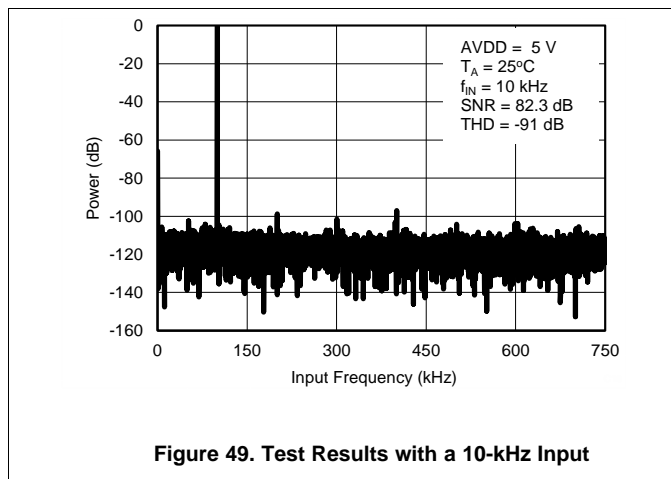


Figure 49 shows an FFT plot for the ADS7851 with the circuit shown in Figure 45 and an input frequency of 10 kHz. Figure 50 shows an FFT plot for the ADS7251 with the same circuit configuration but for an input frequency of 100 kHz.



## 9 Power Supply Recommendations

The devices have two separate power supplies: AVDD and DVDD. The device operates on AVDD; DVDD is used for the interface circuits. AVDD and DVDD can be independently set to any value within the permissible ranges.

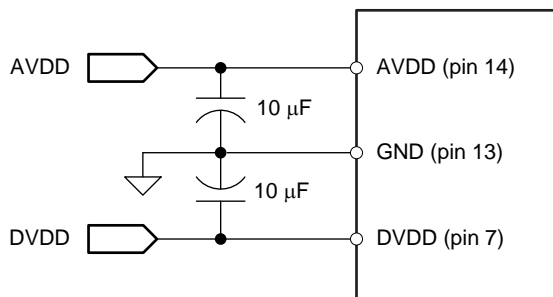
The AVDD supply voltage value defines the permissible voltage swing on the analog input pins. To avoid saturation of output codes, and to use the full dynamic range on the analog input pins, AVDD must be set as shown in [Equation 12](#), [Equation 13](#), and [Equation 14](#):

$$AVDD \geq 2 \times V_{REF\_A} \tag{12}$$

$$AVDD \geq 2 \times V_{REF\_B} \tag{13}$$

$$4.75\text{ V} \leq AVDD \leq 5.25\text{ V} \tag{14}$$

Decouple the AVDD and DVDD pins with the GND pin using individual 10- $\mu$ F decoupling capacitors, as shown in [Figure 51](#).



**Figure 51. Power-Supply Decoupling**

## 10 Layout

### 10.1 Layout Guidelines

Figure 52 shows a board layout example for the ADS7251 and ADS7851. Use a ground plane underneath the device and partition the PCB into analog and digital sections. Avoid crossing digital lines with the analog signal path and keep the analog input signals and the reference input signals away from noise sources. As shown in Figure 52, the analog input and reference signals are routed on the left side of the board and the digital connections are routed on the right side of the device.

The power sources to the device must be clean and well-bypassed. Use 10- $\mu$ F, ceramic bypass capacitors in close proximity to the analog (AVDD) and digital (DVDD) power-supply pins. Avoid placing vias between the AVDD and DVDD pins and the bypass capacitors. Connect all ground pins to the ground plane using short, low-impedance paths.

The REFOUT-A and REFOUT-B reference outputs are bypassed with 10- $\mu$ F, X7R-grade ceramic capacitors ( $C_{REF-x}$ ). Place the reference bypass capacitors as close as possible to the reference REFOUT-x pins and connect the bypass capacitors using short, low-inductance connections. Avoid placing vias between the REFOUT-x pins and the bypass capacitors. Small 0.1- $\Omega$  to 0.2- $\Omega$  resistors ( $R_{REF-x}$ ) are used in series with the reference bypass capacitors to improve stability.

The fly-wheel RC filters are placed immediately next to the input pins. Among ceramic surface-mount capacitors, COG (NPO) ceramic capacitors provide the best capacitance precision. The type of dielectric used in COG (NPO) ceramic capacitors provides the most stable electrical properties over voltage, frequency, and temperature changes. Figure 52 shows  $C_{IN-A}$  and  $C_{IN-B}$  filter capacitors placed across the analog input pins of the device.

### 10.2 Layout Example

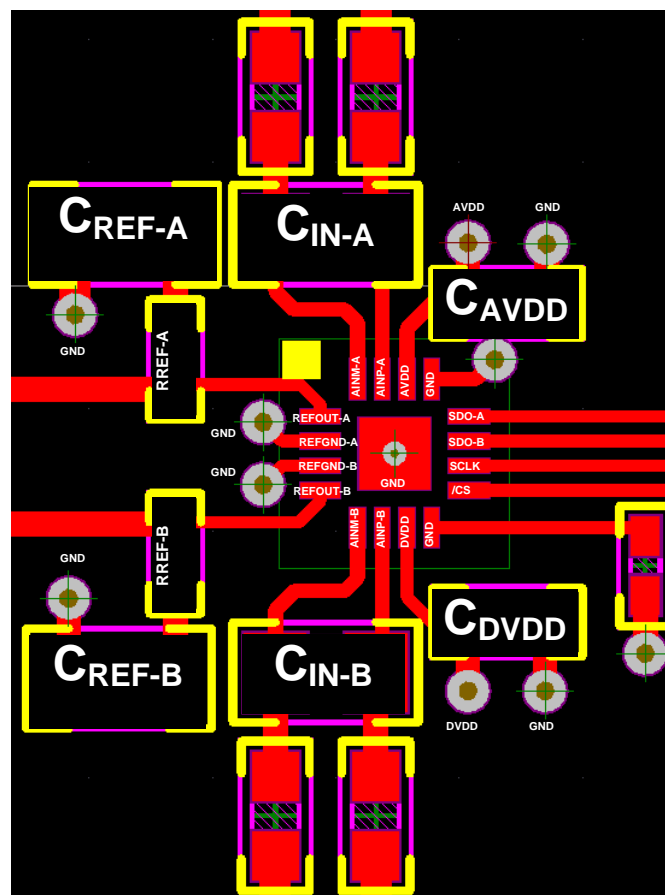


Figure 52. Example Layout for the ADS7251 and ADS7851

## 11 器件和文档支持

### 11.1 文档支持

#### 11.1.1 相关文档

相关文档如下：

- THS4521 数据表, [SBOS458](#)

### 11.2 相关链接

以下表格列出了快速访问链接。范围包括技术文档、支持与社区资源、工具和软件，以及样片与购买的快速访问。

**Table 3. 相关链接**

部件	产品文件夹	样片与购买	技术文档	工具与软件	支持与社区
ADS7251	<a href="#">请单击此处</a>	<a href="#">请单击此处</a>	<a href="#">请单击此处</a>	<a href="#">请单击此处</a>	<a href="#">请单击此处</a>
ADS7851	<a href="#">请单击此处</a>	<a href="#">请单击此处</a>	<a href="#">请单击此处</a>	<a href="#">请单击此处</a>	<a href="#">请单击此处</a>

### 11.3 Trademarks

TINA is a trademark of Texas Instruments Inc..

All other trademarks are the property of their respective owners.

### 11.4 Electrostatic Discharge Caution



These devices have limited built-in ESD protection. The leads should be shorted together or the device placed in conductive foam during storage or handling to prevent electrostatic damage to the MOS gates.

### 11.5 Glossary

[SLYZ022](#) — *TI Glossary*.

This glossary lists and explains terms, acronyms and definitions.

## 12 机械封装和可订购信息

以下页中包括机械封装和可订购信息。 这些信息是针对指定器件可提供的最新数据。 这些数据会在无通知且不对本文档进行修订的情况下发生改变。 欲获得该数据表的浏览器版本，请查阅左侧的导航栏。

## 重要声明

德州仪器(TI)及其下属子公司有权根据 JESD46 最新标准,对所提供的产品和服务进行更正、修改、增强、改进或其它更改,并有权根据 JESD48 最新标准中止提供任何产品和服务。客户在下订单前应获取最新的相关信息,并验证这些信息是否完整且是最新的。所有产品的销售都遵循在订单确认时所提供的TI 销售条款与条件。

TI 保证其所销售的组件的性能符合产品销售时 TI 半导体产品销售条件与条款的适用规范。仅在 TI 保证的范围内,且 TI 认为有必要时才会使用测试或其它质量控制技术。除非适用法律做出了硬性规定,否则没有必要对每种组件的所有参数进行测试。

TI 对应用帮助或客户产品设计不承担任何义务。客户应对其使用 TI 组件的产品和应用自行负责。为尽量减小与客户产品和应用相关的风险,客户应提供充分的设计与操作安全措施。

TI 不对任何 TI 专利权、版权、屏蔽作品权或其它与使用了 TI 组件或服务的组合设备、机器或流程相关的 TI 知识产权中授予的直接或隐含权限作出任何保证或解释。TI 所发布的与第三方产品或服务有关的信息,不能构成从 TI 获得使用这些产品或服务的许可、授权、或认可。使用此类信息可能需要获得第三方的专利权或其它知识产权方面的许可,或是 TI 的专利权或其它知识产权方面的许可。

对于 TI 的产品手册或数据表中 TI 信息的重要部分,仅在没有对内容进行任何篡改且带有相关授权、条件、限制和声明的情况下才允许进行复制。TI 对此类篡改过的文件不承担任何责任或义务。复制第三方的信息可能需要服从额外的限制条件。

在转售 TI 组件或服务时,如果对该组件或服务参数的陈述与 TI 标明的参数相比存在差异或虚假成分,则会失去相关 TI 组件或服务的所有明示或暗示授权,且这是不正当的、欺诈性商业行为。TI 对任何此类虚假陈述均不承担任何责任或义务。

客户认可并同意,尽管任何应用相关信息或支持仍可能由 TI 提供,但他们将独立负责满足与其产品及其在应用中使用的 TI 产品相关的所有法律、法规和安全相关要求。客户声明并同意,他们具备制定与实施安全措施所需的全部专业技术和知识,可预见故障的危险后果、监测故障及其后果、降低有可能造成人身伤害的故障的发生机率并采取适当的补救措施。客户将全额赔偿因在此类安全关键应用中使用任何 TI 组件而对 TI 及其代理造成的任何损失。

在某些场合中,为了推进安全相关应用有可能对 TI 组件进行特别的促销。TI 的目标是利用此类组件帮助客户设计和创立其特有的可满足适用的功能安全性标准和要求的终端产品解决方案。尽管如此,此类组件仍然服从这些条款。

TI 组件未获得用于 FDA Class III (或类似的生命攸关医疗设备)的授权许可,除非各方授权官员已经达成了专门管控此类使用的特别协议。

只有那些 TI 特别注明属于军用等级或“增强型塑料”的 TI 组件才是设计或专门用于军事/航空应用或环境的。购买者认可并同意,对并非指定面向军事或航空航天用途的 TI 组件进行军事或航空航天方面的应用,其风险由客户单独承担,并且由客户独立负责满足与此类使用相关的所有法律和法规要求。

TI 已明确指定符合 ISO/TS16949 要求的产品,这些产品主要用于汽车。在任何情况下,因使用非指定产品而无法达到 ISO/TS16949 要求, TI 不承担任何责任。

	产品		应用
数字音频	<a href="http://www.ti.com.cn/audio">www.ti.com.cn/audio</a>	通信与电信	<a href="http://www.ti.com.cn/telecom">www.ti.com.cn/telecom</a>
放大器和线性器件	<a href="http://www.ti.com.cn/amplifiers">www.ti.com.cn/amplifiers</a>	计算机及周边	<a href="http://www.ti.com.cn/computer">www.ti.com.cn/computer</a>
数据转换器	<a href="http://www.ti.com.cn/dataconverters">www.ti.com.cn/dataconverters</a>	消费电子	<a href="http://www.ti.com.cn/consumer-apps">www.ti.com.cn/consumer-apps</a>
DLP® 产品	<a href="http://www.dlp.com">www.dlp.com</a>	能源	<a href="http://www.ti.com.cn/energy">www.ti.com.cn/energy</a>
DSP - 数字信号处理器	<a href="http://www.ti.com.cn/dsp">www.ti.com.cn/dsp</a>	工业应用	<a href="http://www.ti.com.cn/industrial">www.ti.com.cn/industrial</a>
时钟和计时器	<a href="http://www.ti.com.cn/clockandtimers">www.ti.com.cn/clockandtimers</a>	医疗电子	<a href="http://www.ti.com.cn/medical">www.ti.com.cn/medical</a>
接口	<a href="http://www.ti.com.cn/interface">www.ti.com.cn/interface</a>	安防应用	<a href="http://www.ti.com.cn/security">www.ti.com.cn/security</a>
逻辑	<a href="http://www.ti.com.cn/logic">www.ti.com.cn/logic</a>	汽车电子	<a href="http://www.ti.com.cn/automotive">www.ti.com.cn/automotive</a>
电源管理	<a href="http://www.ti.com.cn/power">www.ti.com.cn/power</a>	视频和影像	<a href="http://www.ti.com.cn/video">www.ti.com.cn/video</a>
微控制器 (MCU)	<a href="http://www.ti.com.cn/microcontrollers">www.ti.com.cn/microcontrollers</a>		
RFID 系统	<a href="http://www.ti.com.cn/rfidsys">www.ti.com.cn/rfidsys</a>		
OMAP应用处理器	<a href="http://www.ti.com/omap">www.ti.com/omap</a>		
无线连通性	<a href="http://www.ti.com.cn/wirelessconnectivity">www.ti.com.cn/wirelessconnectivity</a>	德州仪器在线技术支持社区	<a href="http://www.deyisupport.com">www.deyisupport.com</a>

邮寄地址: 上海市浦东新区世纪大道1568号, 中建大厦32楼邮政编码: 200122  
Copyright © 2014, 德州仪器半导体技术(上海)有限公司

**PACKAGING INFORMATION**

Orderable Device	Status (1)	Package Type	Package Drawing	Pins	Package Qty	Eco Plan (2)	Lead/Ball Finish (6)	MSL Peak Temp (3)	Op Temp (°C)	Device Marking (4/5)	Samples
ADS7251IRTER	ACTIVE	WQFN	RTE	16	3000	Green (RoHS & no Sb/Br)	CU NIPDAU	Level-2-260C-1 YEAR	-40 to 125	7251	<a href="#">Samples</a>
ADS7251IRTET	ACTIVE	WQFN	RTE	16	250	Green (RoHS & no Sb/Br)	CU NIPDAU	Level-2-260C-1 YEAR	-40 to 125	7251	<a href="#">Samples</a>
ADS7851IRTER	ACTIVE	WQFN	RTE	16	3000	Green (RoHS & no Sb/Br)	CU NIPDAU	Level-2-260C-1 YEAR	-40 to 125	7851	<a href="#">Samples</a>
ADS7851IRTET	ACTIVE	WQFN	RTE	16	250	Green (RoHS & no Sb/Br)	CU NIPDAU	Level-2-260C-1 YEAR	-40 to 125	7851	<a href="#">Samples</a>

(1) The marketing status values are defined as follows:

**ACTIVE:** Product device recommended for new designs.

**LIFEBUY:** TI has announced that the device will be discontinued, and a lifetime-buy period is in effect.

**NRND:** Not recommended for new designs. Device is in production to support existing customers, but TI does not recommend using this part in a new design.

**PREVIEW:** Device has been announced but is not in production. Samples may or may not be available.

**OBSOLETE:** TI has discontinued the production of the device.

(2) Eco Plan - The planned eco-friendly classification: Pb-Free (RoHS), Pb-Free (RoHS Exempt), or Green (RoHS & no Sb/Br) - please check <http://www.ti.com/productcontent> for the latest availability information and additional product content details.

**TBD:** The Pb-Free/Green conversion plan has not been defined.

**Pb-Free (RoHS):** TI's terms "Lead-Free" or "Pb-Free" mean semiconductor products that are compatible with the current RoHS requirements for all 6 substances, including the requirement that lead not exceed 0.1% by weight in homogeneous materials. Where designed to be soldered at high temperatures, TI Pb-Free products are suitable for use in specified lead-free processes.

**Pb-Free (RoHS Exempt):** This component has a RoHS exemption for either 1) lead-based flip-chip solder bumps used between the die and package, or 2) lead-based die adhesive used between the die and leadframe. The component is otherwise considered Pb-Free (RoHS compatible) as defined above.

**Green (RoHS & no Sb/Br):** TI defines "Green" to mean Pb-Free (RoHS compatible), and free of Bromine (Br) and Antimony (Sb) based flame retardants (Br or Sb do not exceed 0.1% by weight in homogeneous material)

(3) MSL, Peak Temp. - The Moisture Sensitivity Level rating according to the JEDEC industry standard classifications, and peak solder temperature.

(4) There may be additional marking, which relates to the logo, the lot trace code information, or the environmental category on the device.

(5) Multiple Device Markings will be inside parentheses. Only one Device Marking contained in parentheses and separated by a "~" will appear on a device. If a line is indented then it is a continuation of the previous line and the two combined represent the entire Device Marking for that device.

(6) Lead/Ball Finish - Orderable Devices may have multiple material finish options. Finish options are separated by a vertical ruled line. Lead/Ball Finish values may wrap to two lines if the finish value exceeds the maximum column width.

**Important Information and Disclaimer:** The information provided on this page represents TI's knowledge and belief as of the date that it is provided. TI bases its knowledge and belief on information provided by third parties, and makes no representation or warranty as to the accuracy of such information. Efforts are underway to better integrate information from third parties. TI has taken and continues to take reasonable steps to provide representative and accurate information but may not have conducted destructive testing or chemical analysis on incoming materials and chemicals. TI and TI suppliers consider certain information to be proprietary, and thus CAS numbers and other limited information may not be available for release.

In no event shall TI's liability arising out of such information exceed the total purchase price of the TI part(s) at issue in this document sold by TI to Customer on an annual basis.



## TAPE AND REEL INFORMATION



### QUADRANT ASSIGNMENTS FOR PIN 1 ORIENTATION IN TAPE



\*All dimensions are nominal

Device	Package Type	Package Drawing	Pins	SPQ	Reel Diameter (mm)	Reel Width W1 (mm)	A0 (mm)	B0 (mm)	K0 (mm)	P1 (mm)	W (mm)	Pin1 Quadrant
ADS7251IRTER	WQFN	RTE	16	3000	330.0	12.4	3.3	3.3	1.1	8.0	12.0	Q2
ADS7251IRTET	WQFN	RTE	16	250	180.0	12.4	3.3	3.3	1.1	8.0	12.0	Q2
ADS7851IRTER	WQFN	RTE	16	3000	330.0	12.4	3.3	3.3	1.1	8.0	12.0	Q2
ADS7851IRTET	WQFN	RTE	16	250	180.0	12.4	3.3	3.3	1.1	8.0	12.0	Q2

**TAPE AND REEL BOX DIMENSIONS**


\*All dimensions are nominal


Device	Package Type	Package Drawing	Pins	SPQ	Length (mm)	Width (mm)	Height (mm)
ADS7251IRTER	WQFN	RTE	16	3000	367.0	367.0	35.0
ADS7251IRTET	WQFN	RTE	16	250	210.0	185.0	35.0
ADS7851IRTER	WQFN	RTE	16	3000	367.0	367.0	35.0
ADS7851IRTET	WQFN	RTE	16	250	210.0	185.0	35.0

# MECHANICAL DATA

RTE (S-PWQFN-N16)

PLASTIC QUAD FLATPACK NO-LEAD



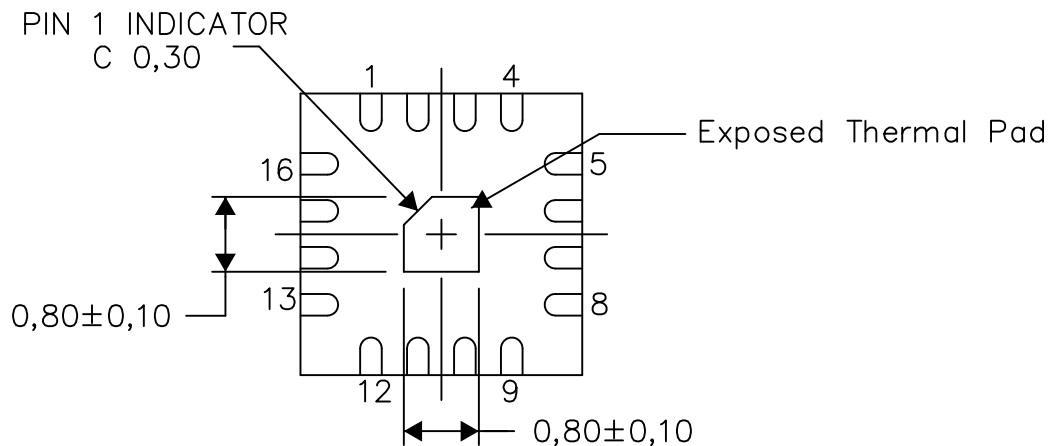
- NOTES:
- All linear dimensions are in millimeters. Dimensioning and tolerancing per ASME Y14.5M-1994.
  - This drawing is subject to change without notice.
  - Quad Flatpack, No-leads (QFN) package configuration.
-  The package thermal pad must be soldered to the board for thermal and mechanical performance. See the Product Data Sheet for details regarding the exposed thermal pad dimensions.
- Falls within JEDEC MO-220.

**THERMAL INFORMATION**

This package incorporates an exposed thermal pad that is designed to be attached directly to an external heatsink. The thermal pad must be soldered directly to the printed circuit board (PCB). After soldering, the PCB can be used as a heatsink. In addition, through the use of thermal vias, the thermal pad can be attached directly to the appropriate copper plane shown in the electrical schematic for the device, or alternatively, can be attached to a special heatsink structure designed into the PCB. This design optimizes the heat transfer from the integrated circuit (IC).

For information on the Quad Flatpack No-Lead (QFN) package and its advantages, refer to Application Report, QFN/SON PCB Attachment, Texas Instruments Literature No. SLUA271. This document is available at [www.ti.com](http://www.ti.com).

The exposed thermal pad dimensions for this package are shown in the following illustration.



Bottom View

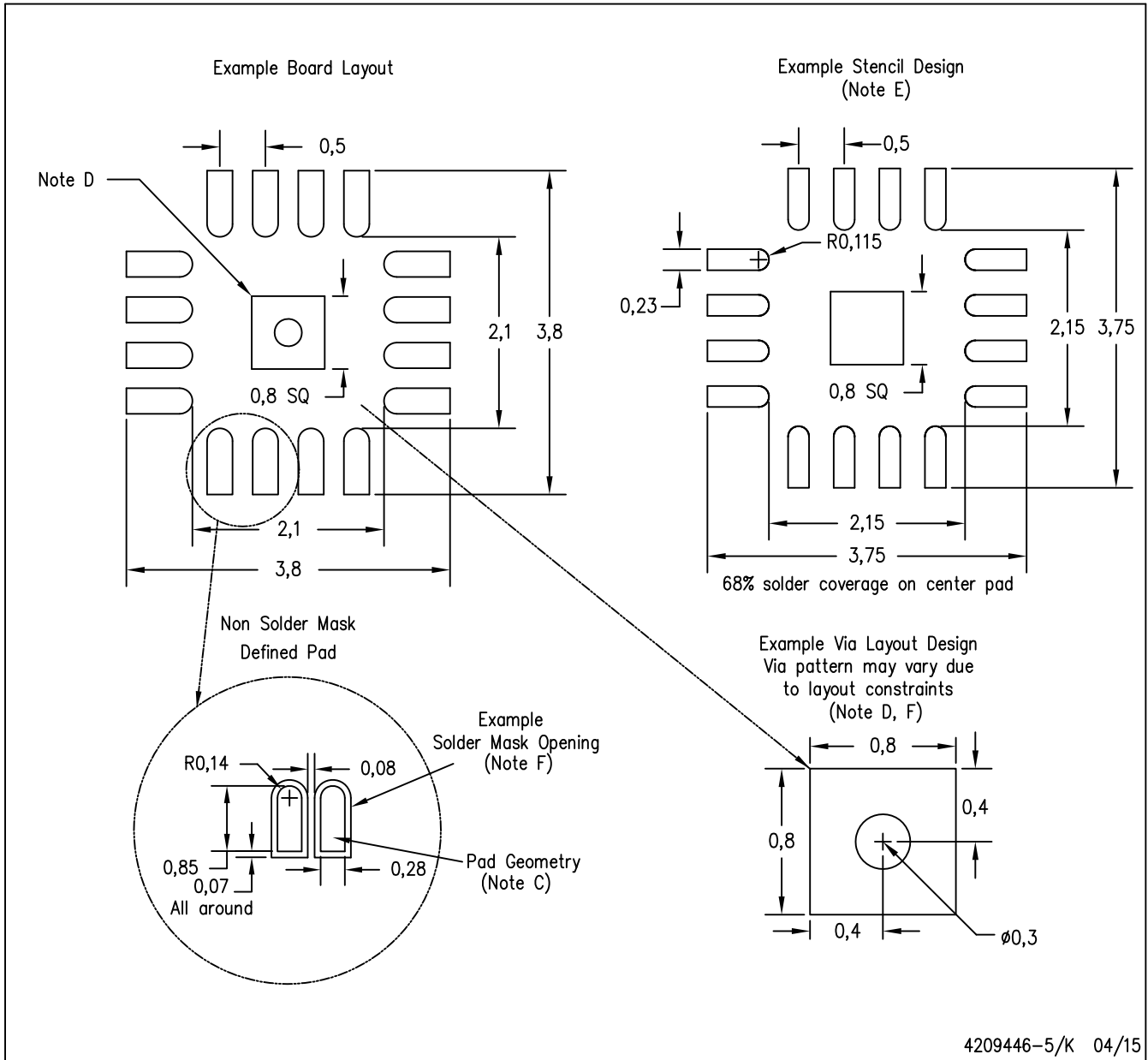
Exposed Thermal Pad Dimensions

4206446-5/U 08/15

NOTE: A. All linear dimensions are in millimeters

RTE (S-PWQFN-N16)

PLASTIC QUAD FLATPACK NO-LEAD



- NOTES:
- All linear dimensions are in millimeters.
  - This drawing is subject to change without notice.
  - Publication IPC-7351 is recommended for alternate designs.
  - This package is designed to be soldered to a thermal pad on the board. Refer to Application Note, Quad Flat-Pack Packages, Texas Instruments Literature No. SLUA271, and also the Product Data Sheets for specific thermal information, via requirements, and recommended board layout. These documents are available at [www.ti.com](http://www.ti.com) <<http://www.ti.com>>.
  - Laser cutting apertures with trapezoidal walls and also rounding corners will offer better paste release. Customers should contact their board assembly site for stencil design recommendations. Refer to IPC 7525 for stencil design considerations.
  - Customers should contact their board fabrication site for minimum solder mask web tolerances between signal pads.

## 重要声明

德州仪器 (TI) 公司有权按照最新发布的 JESD46 对其半导体产品和服务进行纠正、增强、改进和其他修改，并不再按最新发布的 JESD48 提供任何产品和服务。买方在下订单前应获取最新的相关信息，并验证这些信息是否完整且是最新的。

TI 公布的半导体产品销售条款 (<http://www.ti.com/sc/docs/stdterms.htm>) 适用于 TI 已认证和批准上市的已封装集成电路产品的销售。另有其他条款可能适用于其他类型 TI 产品及服务的使用或销售。

复制 TI 数据表上 TI 信息的重要部分时，不得变更该等信息，且必须随附所有相关保证、条件、限制和通知，否则不得复制。TI 对该等复制文件不承担任何责任。第三方信息可能受到其它限制条件的制约。在转售 TI 产品或服务时，如果存在对产品或服务参数的虚假陈述，则会失去相关 TI 产品或服务的明示或暗示保证，且构成不公平的、欺诈性商业行为。TI 对此类虚假陈述不承担任何责任。

买方和在系统中整合 TI 产品的其他开发人员（总称“设计人员”）理解并同意，设计人员在设计应用时应自行实施独立的分析、评价和判断，且应全权负责并确保应用的安全性，及设计人员的应用（包括应用中使用的 TI 产品）应符合所有适用的法律法规及其他相关要求。设计人员就自己设计的应用声明，其具备制订和实施下列保障措施所需的一切必要专业知识，能够 (1) 预见故障的危险后果，(2) 监视故障及其后果，以及 (3) 降低可能导致危险的故障几率并采取适当措施。设计人员同意，在使用或分发包含 TI 产品的任何应用前，将彻底测试该等应用和该等应用中所用 TI 产品的功能。

TI 提供技术、应用或其他设计建议、质量特点、可靠性数据或其他服务或信息，包括但不限于与评估模块有关的参考设计和材料（总称“TI 资源”），旨在帮助设计人员开发整合了 TI 产品的应用，如果设计人员（个人，或如果是代表公司，则为设计人员的公司）以任何方式下载、访问或使用任何特定的 TI 资源，即表示其同意仅为该等目标，按照本通知的条款使用任何特定 TI 资源。

TI 所提供的 TI 资源，并未扩大或以其他方式修改 TI 对 TI 产品的公开适用的质保及质保免责声明；也未导致 TI 承担任何额外的义务或责任。TI 有权对其 TI 资源进行纠正、增强、改进和其他修改。除特定 TI 资源的公开文档中明确列出的测试外，TI 未进行任何其他测试。

设计人员只有在开发包含该等 TI 资源所列 TI 产品的应用时，才被授权使用、复制和修改任何相关 TI 资源。但并未依据禁止反言原则或其他法理授予您任何 TI 知识产权的任何其他明示或默示的许可，也未授予您 TI 或第三方的任何技术或知识产权的许可，该等许可包括但不限于任何专利权、版权、屏蔽作品权或与美国 TI 产品或服务的任何整合、机器制作、流程相关的其他知识产权。涉及或参考了第三方产品或服务的信息不构成使用此类产品或服务的许可或与其相关的保证或认可。使用 TI 资源可能需要您向第三方获得对该等第三方专利或其他知识产权的许可。

TI 资源系“按原样”提供。TI 兹免除对资源及其使用作出所有其他明确或默示的保证或陈述，包括但不限于对准确性或完整性、产权保证、无屡发故障保证，以及适销性、适合特定用途和不侵犯任何第三方知识产权的任何默认保证。TI 不负责任何申索，包括但不限于因组合产品所致或与之有关的申索，也不为或对设计人员进行辩护或赔偿，即使该等产品组合已列于 TI 资源或其他地方。对因 TI 资源或其使用引起或与之有关的任何实际的、直接的、特殊的、附带的、间接的、惩罚性的、偶发的、从属或惩戒性损害赔偿，不管 TI 是否获悉可能会产生上述损害赔偿，TI 概不负责。

除 TI 已明确指出特定产品已达到特定行业标准（例如 ISO/TS 16949 和 ISO 26262）的要求外，TI 不对未达到任何该等行业标准要求而承担任何责任。

如果 TI 明确宣称产品有助于功能安全或符合行业功能安全标准，则该等产品旨在帮助客户设计和创作自己的符合相关功能安全标准和要求的的应用。在应用内使用产品的行为本身不会配有安全特性。设计人员必须确保遵守适用于其应用的相关安全要求和标准。设计人员不可将任何 TI 产品用于关乎性命的医疗设备，除非已由各方获得授权的管理人员签署专门的合同对此类应用专门作出规定。关乎性命的医疗设备是指出现故障会导致严重身体伤害或死亡的医疗设备（例如生命保障设备、心脏起搏器、心脏除颤器、人工心脏泵、神经刺激器以及植入设备）。此类设备包括但不限于，美国食品药品监督管理局认定为 III 类设备的设备，以及在美国以外的其他国家或地区认定为同等类别设备的所有医疗设备。

TI 可能明确指定某些产品具备某些特定资格（例如 Q100、军用级或增强型产品）。设计人员同意，其具备一切必要专业知识，可以为自己的应用选择适合的产品，并且正确选择产品的风险由设计人员承担。设计人员单方面负责遵守与该等选择有关的所有法律或监管要求。

设计人员同意向 TI 及其代表全额赔偿因其不遵守本通知条款和条件而引起的任何损害、费用、损失和/或责任。

邮寄地址：上海市浦东新区世纪大道 1568 号中建大厦 32 楼，邮政编码：200122  
Copyright © 2017 德州仪器半导体技术（上海）有限公司