

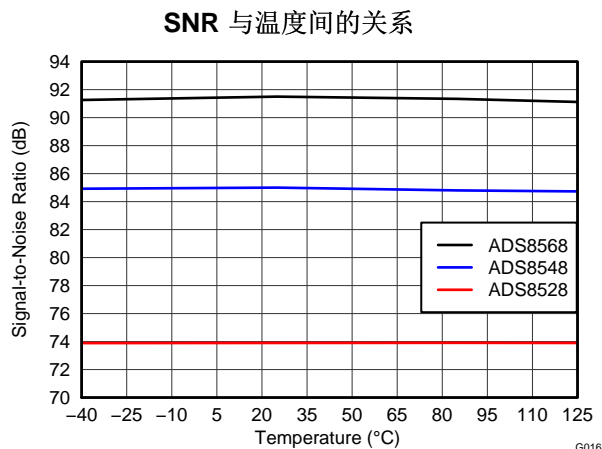
# ADS85x8 12 位、14 位和 16 位 8 通道同时采样 ADC

## 1 特性

- 12 位、14 位和 16 位 ADC 系列（各成员器件的引脚和软件彼此兼容）
- 每通道的最大数据速率：
  - ADS8528: 650kSPS (PAR) 或 480kSPS (SER)
  - ADS8548: 600kSPS (PAR) 或 450kSPS (SER)
  - ADS8568: 510kSPS (PAR) 或 400kSPS (SER)
- 出色的交流性能：
  - 信噪比：  
ADS8528: 73.9dB; ADS8548: 85dB; ADS8568: 91.5dB
  - 总谐波失真：  
ADS8528: –89dB; ADS8548: –91dB; ADS8568: –94dB
- 可编程、经缓冲的内部基准：  
0.5V–2.5V 或 0.5V–3.0V，最高支持  $\pm 12V$  的输入电压范围
- 可选并行或串行接口
- 采用自动休眠模式的可扩展低功耗操作：10kSPS 时仅为 32mW
- 可在扩展工业温度范围内完全额定运行

## 2 应用

- 保护中继器
- 电源质量测量
- 多轴电机控制
- 可编程逻辑控制器
- 工业数据采集



## 3 说明

ADS85x8 具备 8 个基于逐次逼近寄存器 (SAR) 的低功耗 12 位、14 位或 16 位模数转换器 (ADC)，每个 ADC 都配有真正的双极输入。这些通道分组为四对，能够以高达 650kSPS 的速率同时采集信号。

这些器件允许选择并行或串行接口，并且支持菊花链连接。可编程基准允许处理幅值最高可达  $\pm 12V$  的模拟输入信号。

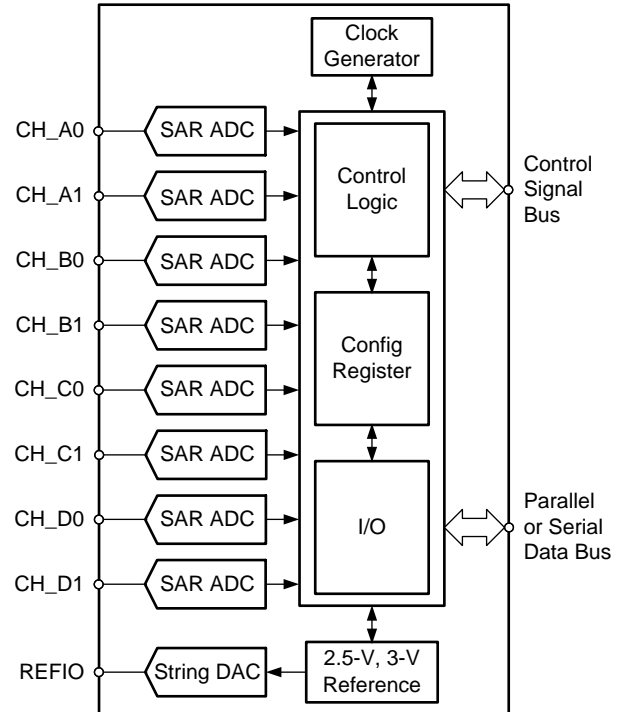
ADS85x8 系列采用 64 引脚超薄四方扁平无引线 (VQFN) 和薄型四方扁平 (LQFP) 封装，并且支持自动休眠模式，可最大限度地降低功耗。整个系列的额定工作温度范围为  $-40^{\circ}\text{C}$  至  $+125^{\circ}\text{C}$ 。

器件信息<sup>(1)</sup>

器件型号	封装	封装尺寸 (标称值)
ADS85x8	VQFN (64)	9.00mm x 9.00mm
	LQFP (64)	10.00mm x 10.00mm

(1) 要了解所有可用封装，请参见数据表末尾的可订购产品附录。

简化框图



## 目录

1	特性 .....	1	8.1	Equivalent Circuits .....	26
2	应用 .....	1	<b>9</b>	<b>Detailed Description</b> .....	<b>26</b>
3	说明 .....	1	9.1	Overview .....	26
4	修订历史记录 .....	2	9.2	Functional Block Diagram .....	27
<b>5</b>	<b>Device Comparison Table</b> .....	<b>4</b>	9.3	Feature Description .....	28
<b>6</b>	<b>Pin Configuration and Functions</b> .....	<b>4</b>	9.4	Device Functional Modes .....	34
<b>7</b>	<b>Specifications</b> .....	<b>9</b>	9.5	Register Maps .....	39
7.1	Absolute Maximum Ratings .....	9	<b>10</b>	<b>Application and Implementation</b> .....	<b>41</b>
7.2	ESD Ratings .....	9	10.1	Application Information .....	41
7.3	Recommended Operating Conditions .....	9	10.2	Typical Application .....	41
7.4	Thermal Information .....	9	<b>11</b>	<b>Power Supply Recommendations</b> .....	<b>46</b>
7.5	Electrical Characteristics: General .....	10	<b>12</b>	<b>Layout</b> .....	<b>46</b>
7.6	Electrical Characteristics: ADS8528 .....	13	12.1	Layout Guidelines .....	46
7.7	Electrical Characteristics: ADS8548 .....	14	12.2	Layout Example .....	47
7.8	Electrical Characteristics: ADS8568 .....	15	<b>13</b>	<b>器件和文档支持</b> .....	<b>48</b>
7.9	Serial Interface Timing Requirements .....	16	13.1	文档支持 .....	48
7.10	Parallel Interface Timing Requirements (Read Access) .....	17	13.2	相关链接 .....	48
7.11	Parallel Interface Timing Requirements (Write Access) .....	17	13.3	社区资源 .....	48
7.12	Typical Characteristics .....	20	13.4	商标 .....	48
<b>8</b>	<b>Parameter Measurement information</b> .....	<b>26</b>	13.5	静电放电警告 .....	48
			13.6	Glossary .....	48
			<b>14</b>	<b>机械、封装和可订购信息</b> .....	<b>48</b>

## 4 修订历史记录

注：之前版本的页码可能与当前版本有所不同。

### Changes from Revision B (November 2015) to Revision C Page

•	Changed <a href="#">Figure 45</a> : changed capacitor values from 820 nF to 820 pF .....	42
---	--	----

### Changes from Revision A (October 2011) to Revision B Page

•	已添加 ESD 额定值表, 建议运行条件表, 特性 描述部分, 器件功能模式部分, 寄存器映射部分, 应用和 实施部分, 电源相关建议部分, 布局部分, 器件和文档支持部分以及机械、封装和可订购信息部分 .....	1
•	Changed title of <i>Device Comparison Table</i> , deleted footnote 1 .....	4
•	Added <i>Storage temperature</i> parameter to <i>Absolute Maximum Ratings</i> table .....	9
•	Changed <i>Clock cycles per conversion</i> to be a single parameter instead of part of $t_{CONV}$ parameter in <i>Serial Interface Timing Requirements</i> table .....	16
•	Changed $t_{BUFS}$ parameter in <i>Serial Interface Timing Requirements</i> table .....	16
•	Added footnote 3 to <i>Serial Interface Timing Requirements</i> table .....	16
•	Changed <i>Clock cycles per conversion</i> to be a single parameter instead of part of $t_{CONV}$ parameter in <i>Parallel Interface Timing Requirements (Read Access)</i> table .....	17
•	Changed $t_{BUCS}$ parameter in <i>Parallel Interface Timing Requirements (Read Access)</i> table .....	17
•	Added footnote 3 to <i>Parallel Interface Timing Requirements (Read Access)</i> table .....	17
•	Changed <i>Data Readout and BUSY/INT Signal</i> section .....	30
•	Added <i>Sequential Operation</i> section .....	31
•	Changed description of initiating a new conversion in <i>Reset and Power-Down Modes</i> section .....	38

---

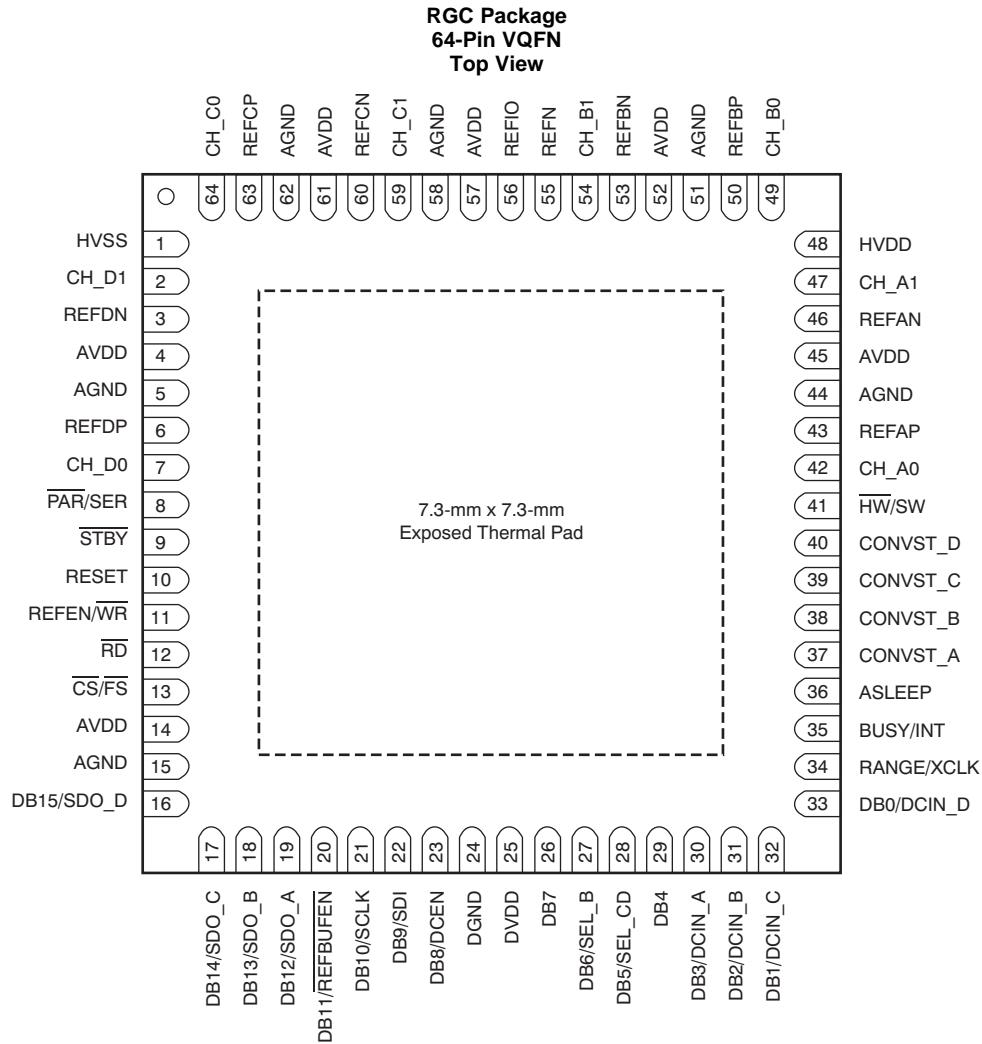
**Changes from Original (August 2011) to Revision A****Page**

- 
- Deleted INL column from Family/Ordering Information table ..... 4
  - Changed DC Accuracy, *INL* parameter in ADS8568 Electrical Characteristics table..... 15
-

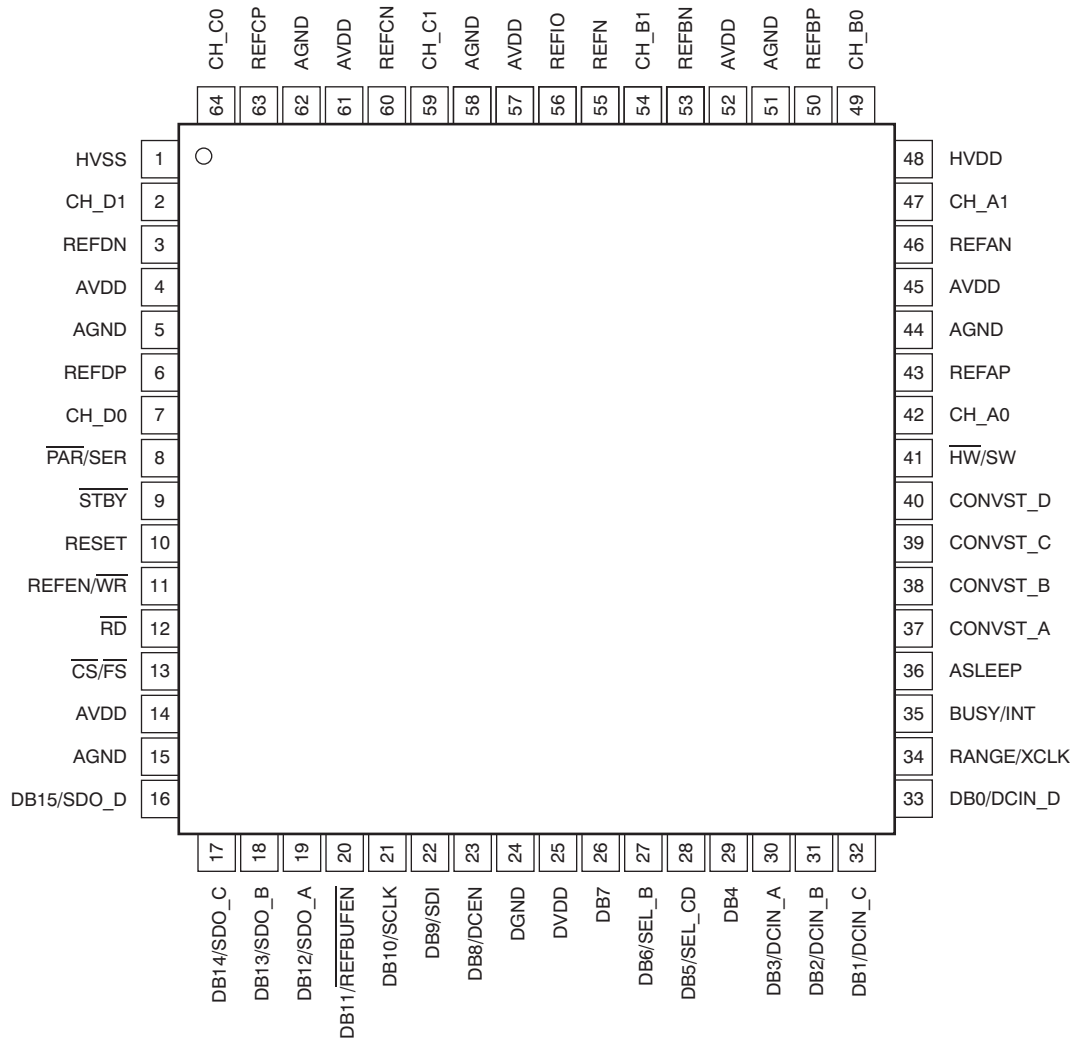
## 5 Device Comparison Table

PRODUCT	RESOLUTION (Bits)	MAXIMUM DATA RATE: PAR, SER (kSPS per Channel)	SNR (dB, Typ)	THD (dB, Typ)
ADS8528	12	650, 480	73.9	-89
ADS8548	14	600, 450	85	-91
ADS8568	16	510, 400	91.5	-94

## 6 Pin Configuration and Functions



**PM Package  
64-Pin LQFP  
Top View**



### Pin Functions

PIN		TYPE <sup>(1)</sup>	DESCRIPTION	
NAME	NO.		PARALLEL INTERFACE ( $\overline{\text{PAR}}/\text{SER} = 0$ )	SERIAL INTERFACE ( $\overline{\text{PAR}}/\text{SER} = 1$ )
AGND	5, 15, 44, 51, 58, 62	P	Analog ground; connect to the analog ground plane.	
ASLEEP	36	DI	Auto-sleep enable input. When low, the device operates in normal mode. When high, the device functions in auto-sleep mode where the hold mode and the actual conversion is activated six conversion clock ( $t_{\text{CLK}}$ ) cycles after issuing a conversion start using a CONVST_x. This mode is recommended to save power if the device runs at a lower data rate; see the <a href="#">Reset and Power-Down Modes</a> section for more details.	
AVDD	4, 14, 45, 52, 57, 61	P	Analog power supply. Decouple according to the <a href="#">Power Supply Recommendations</a> section.	
BUSY/INT	35	DO	When CONFIG bit C27 = 0 (BUSY/INT), this pin is a converter busy status output. This pin transitions high when a conversion is started and transitions low for a single conversion clock cycle ( $t_{\text{CLK}}$ ) whenever a channel pair conversion is completed and stays low when the conversion of the last channel pair completes. When bit C27 = 1 (BUSY/INT in CONFIG), this pin is an interrupt output. This pin transitions high after a conversion completes and remains high until the next read access. This mode can only be used if all eight channels are sampled simultaneously (all CONVST_x tied together). The polarity of the BUSY/INT output can be changed using the C26 bit (BUSY L/H) in the Configuration register.	
CH_A0	42	AI	Analog input of channel A0; channel A is the master channel pair that is always active. The input voltage range is controlled by the RANGE pin in hardware mode or by CONFIG register (CONFIG) bit C24 (RANGE_A) in software mode. In cases where channel pairs of the device are used at different data rates, channel pair A must always run at the highest data rate.	
CH_A1	47	AI	Analog input of channel A1; channel A is the master channel pair that is always active. The input voltage range is controlled by the RANGE pin in hardware mode or by CONFIG bit C24 (RANGE_A) in software mode. In cases where channel pairs of the device are used at different data rates, channel pair A must always run at the highest data rate.	
CH_B0	49	AI	Analog input of channel B0. The input voltage range is controlled by the RANGE pin in hardware mode or by CONFIG bit C23 (RANGE_B) in software mode.	
CH_B1	54	AI	Analog input of channel B1. The input voltage range is controlled by the RANGE pin in hardware mode or by CONFIG bit C23 (RANGE_B) in software mode.	
CH_C0	64	AI	Analog input of channel C0. The input voltage range is controlled by the RANGE pin in hardware mode or by CONFIG bit C21 (RANGE_C) in software mode.	
CH_C1	59	AI	Analog input of channel C1. The input voltage range is controlled by the RANGE pin in hardware mode or by CONFIG bit C21 (RANGE_C) in software mode.	
CH_D0	7	AI	Analog input of channel D0. The input voltage range is controlled by the RANGE pin in hardware mode or by CONFIG bit C19 (RANGE_D) in software mode. This pin can be powered down using CONFIG bit C18 (PD_D) in software mode.	
CH_D1	2	AI	Analog input of channel D1. The input voltage range is controlled by the RANGE pin in hardware mode or by CONFIG bit C19 (RANGE_D) in software mode. This pin can be powered down using CONFIG bit C18 (PD_D) in software mode.	
CONVST_A	37	DI	Conversion start of channel pair A. The rising edge of this signal initiates simultaneous conversion of analog signals at inputs CH_A[1:0]. This signal resets the internal channel state machine that causes the data output to start with conversion results of channel A0 with the next read access.	
CONVST_B	38	DI	Conversion start of channel pair B. The rising edge of this signal initiates simultaneous conversion of analog signals at inputs CH_B[1:0].	
CONVST_C	39	DI	Conversion start of channel pair C. The rising edge of this signal initiates simultaneous conversion of analog signals at inputs CH_C[1:0].	
CONVST_D	40	DI	Conversion start of channel pair D. The rising edge of this signal initiates simultaneous conversion of analog signals at inputs CH_D[1:0].	
$\overline{\text{CS}}/\overline{\text{FS}}$	13	DI, DI	Chip-select input. When low, the parallel interface is enabled. When high, the interface is disabled.	Frame synchronization. The $\overline{\text{FS}}$ falling edge controls the frame transfer.
DB0/DCIN_D	33	DIO, DI	Data bit 0 (LSB) input/output	When DCEN = 1 and SEL_CD = 1, this pin is the daisy-chain data input for SDO_D of the previous device in the chain. When DCEN = 0, connect to DGND.
DB1/DCIN_C	32	DIO, DI	Data bit 1 input/output	When DCEN = 1 and SEL_CD = 1, this pin is the daisy-chain data input for SDO_C of the previous device in the chain. When DCEN = 0, connect to DGND.
DB2/DCIN_B	31	DIO, DI	Data bit 2 input/output	When DCEN = 1 and SEL_B = 1, this pin is the daisy-chain data input for SDO_B of the previous device in the chain. When DCEN = 0, connect to DGND.
DB3/DCIN_A	30	DIO, DI	Data bit 3 input/output	When DCEN = 1, this pin is the daisy-chain data input for SDO_A of the previous device in the chain. When DCEN = 0, connect to DGND.

(1) AI = analog input; AIO = analog input/output; DI = digital input; DIO = digital input/output; DO = digital output; and P = power supply.

**Pin Functions (continued)**

PIN		TYPE <sup>(1)</sup>	DESCRIPTION	
NAME	NO.		PARALLEL INTERFACE ( $\overline{\text{PAR}}/\text{SER} = 0$ )	SERIAL INTERFACE ( $\overline{\text{PAR}}/\text{SER} = 1$ )
DB4	29	DIO	Data bit 4 input/output	Connect to DGND
DB5/SEL_CD	28	DIO, DI	Data bit 5 input/output	Select SDO_C and SDO_D input. When high, data from channel pair C are available on SDO_C and data from channel pair D are available on SDO_D. When low and SEL_B = 1, data from channel pairs A and C are available on SDO_A and data from channel pairs B and D are available on SDO_B. When low and SEL_B = 0, data from all eight channels are available on SDO_A.
DB6/SEL_B	27	DIO, DI	Data bit 6 input/output	Select SDO_B input. When low, SDO_B is disabled and data from all eight channels are only available through SDO_A. When high and SEL_CD = 0, data from channel pairs B and D are available on SDO_B. When SEL_CD = 1, data from channel pair B are available on SDO_B.
DB7	26	DIO	Data bit 7 input/output	Must be connected to DGND
DB8/DCEN	23	DIO, DI	Data bit 8 input/output	Daisy-chain enable input. When high, DB[3:0] serve as daisy-chain inputs DCIN_[A:D]. If daisy-chain mode is not used, connect to DGND.
DB9/SDI	22	DIO, DI	Data bit 9 input/output	Hardware mode ( $\overline{\text{HW}}/\text{SW} = 0$ ): connect to DGND. Software mode ( $\text{HW}/\text{SW} = 1$ ): serial data input.
DB10/SCLK	21	DIO, DI	Data bit 10 input/output	Serial interface clock input.
DB11/ REFBUFEN	20	DIO, DI	Data bit 11 input/output. Output is MSB for the ADS8528.	Hardware mode ( $\text{HW}/\text{SW} = 0$ ): reference buffer enable input. When low, all internal reference buffers are enabled (mandatory if internal reference is used). When high, all reference buffers are disabled. Software mode ( $\overline{\text{HW}}/\text{SW} = 1$ ): connect to DGND or DVDD. The internal reference buffers are controlled by CONFIG bit C14 (REFBUFEN).
DB12/SDO_A	19	DIO, DO	Data bit 12 input/output. Output is sign extension for the ADS8528.	Data output for channel pair A. When SEL_CD = 0, data from channel pair C are also available on this output. When SEL_CD = 0 and SEL_B = 0, SDO_A functions as single data output for all eight channels.
DB13/SDO_B	18	DIO, DO	Data bit 13 input/output. Output is sign extension for the ADS8528 and MSB for the ADS8548.	When SEL_B = 1, this pin is the data output for channel pair B. When SEL_B = 0, tie this pin to DGND. When SEL_CD = 0, data from channel pair D are also available on this output.
DB14/SDO_C	17	DIO, DO	Data bit 14 input/output. Output is sign extension for the ADS8528 and ADS8548.	When SEL_CD = 1, this pin is the data output for channel pair C. When SEL_CD = 0, tie this pin to DGND.
DB15/SDO_D	16	DIO, DO	Data bit 15 (MSB) input/output. Output is sign extension for the ADS8528 and ADS8548.	When SEL_CD = 1, this pin is the data output for channel pair D. When SEL_CD = 0, tie this pin to DGND.
DGND	24	P	Buffer I/O ground, connect to digital ground plane	
DVDD	25	P	Buffer I/O supply, connect to digital supply. Decouple according to the <a href="#">Power Supply Recommendations</a> section.	
HVDD	48	P	Positive supply voltage for the analog inputs. Decouple according to the <a href="#">Power Supply Recommendations</a> section.	
HVSS	1	P	Negative supply voltage for the analog inputs. Decouple according to the <a href="#">Power Supply Recommendations</a> section.	
$\overline{\text{HW}}/\text{SW}$	41	DI	Mode selection input. When low, hardware mode is selected and the device functions according to the settings of the external pins. When high, software mode is selected and the device is configured by writing to the Configuration register (CONFIG).	
$\overline{\text{PAR}}/\text{SER}$	8	DI	Interface mode selection input. When low, the parallel interface is selected. When high, the serial interface is enabled.	
RANGE/XCLK	34	DI/DI/DO	Hardware mode ( $\overline{\text{HW}}/\text{SW} = 0$ ): analog input voltage range select input. When low, the analog input voltage range is $\pm 4$ VREF. When high, the analog input voltage range is $\pm 2$ VREF. Software mode ( $\text{HW}/\text{SW} = 1$ ): this pin is an external conversion clock input if CONFIG bit C29 = 1 (CLKSEL); or an internal conversion clock output if CONFIG bit C28 = 1 (CLKOUT_EN). If this pin is not used, connect to DGND.	
$\overline{\text{RD}}$	12	DI/DI	Read data input. When low, the parallel data output is enabled (if $\overline{\text{CS}} = 0$ ). When high, the data output is disabled.	Must be connected to DGND.

**Pin Functions (continued)**

PIN		TYPE <sup>(1)</sup>	DESCRIPTION	
NAME	NO.		PARALLEL INTERFACE ( $\overline{\text{PAR}}/\text{SER} = 0$ )	SERIAL INTERFACE ( $\overline{\text{PAR}}/\text{SER} = 1$ )
REFAN	46	AI	Decoupling capacitor input for reference of channel pair A. Connect to the decoupling capacitor and AGND according to the <a href="#">Power Supply Recommendations</a> section.	
REFAP	43	AI	Decoupling capacitor input for reference of channel pair A. Connect to the decoupling capacitor according to the <a href="#">Power Supply Recommendations</a> section.	
REFBN	53	AI	Decoupling capacitor input for reference of channel pair B. Connect to the decoupling capacitor and AGND according to the <a href="#">Power Supply Recommendations</a> section.	
REFBP	50	AI	Decoupling capacitor input for reference of channel pair B. Connect to the decoupling capacitor according to the <a href="#">Power Supply Recommendations</a> section.	
REFCN	60	AI	Decoupling capacitor input for reference of channel pair C. Connect to the decoupling capacitor and AGND according to the <a href="#">Power Supply Recommendations</a> section.	
REFCP	63	AI	Decoupling capacitor input for reference of channel pair C. Connect to the decoupling capacitor according to the <a href="#">Power Supply Recommendations</a> section.	
REFDN	3	AI	Decoupling capacitor input for reference of channel pair D. Connect to the decoupling capacitor and AGND according to the <a href="#">Power Supply Recommendations</a> section.	
REFDP	6	AI	Decoupling capacitor input for the channel pair D reference. Connect to the decoupling capacitor according to the <a href="#">Power Supply Recommendations</a> section.	
REFEN/ $\overline{\text{WR}}$	11	DI/DI	<p>Hardware mode (<math>\overline{\text{HW}}/\text{SW} = 0</math>): internal reference enable input. When high, the internal reference is enabled (the reference buffers are also enabled). When low, the internal reference is disabled and an external reference is applied at REFIO.</p> <p>Software mode (<math>\overline{\text{HW}}/\text{SW} = 1</math>): write input. The parallel data input is enabled when <math>\overline{\text{CS}}</math> and <math>\overline{\text{WR}}</math> are low. The internal reference is enabled by CONFIG bit C15 (REFEN).</p>	<p>Hardware mode (<math>\overline{\text{HW}}/\text{SW} = 0</math>): internal reference enable input. When high, the internal reference is enabled (the reference buffers are also enabled). When low, the internal reference is disabled and an external reference is applied at REFIO.</p> <p>Software mode (<math>\overline{\text{HW}}/\text{SW} = 1</math>): connect to DGND or DVDD. The internal reference is enabled by CONFIG bit C15 (REFEN).</p>
REFIO	56	AIO	Reference voltage input/output. The internal reference is enabled by the REFEN/ $\overline{\text{WR}}$ pin in hardware mode or by CONFIG bit C15 (REFEN) in software mode. The output value is controlled by the internal digital-to-analog converter (DAC), CONFIG bits C[9:0]. Connect to a decoupling capacitor according to the <a href="#">Power Supply Recommendations</a> section.	
REFN	55	AI	Negative reference input/output pin. Connect to a decoupling capacitor and AGND according to the <a href="#">Power Supply Recommendations</a> section.	
RESET	10	DI	Reset input, active high. This pin aborts any ongoing conversions and resets the internal Configuration register (CONFIG) to 000003FFh. A valid reset pulse must be at least 50 ns long.	
$\overline{\text{STBY}}$	9	DI	<p>Hardware mode (<math>\overline{\text{HW}}/\text{SW} = 0</math>): standby mode input. When low, the entire device is powered down (including the internal conversion clock source and reference). When high, the device operates in normal mode.</p> <p>Software mode (<math>\overline{\text{HW}}/\text{SW} = 1</math>): connect to DGND or DVDD. The standby mode can be activated using CONFIG bit C25 (<math>\overline{\text{STBY}}</math>).</p>	



## 7 Specifications

### 7.1 Absolute Maximum Ratings

over operating free-air temperature range (unless otherwise noted)<sup>(1)</sup>

		MIN	MAX	UNIT
Supply voltage	HVDD to AGND	-0.3	18	V
	HVSS to AGND	-18	0.3	
	AVDD to AGND	-0.3	6	
	DVDD to DGND	-0.3	6	
Analog input voltage		HVSS - 0.3	HVDD + 0.3	V
Reference input voltage with respect to AGND		AGND - 0.3	AVDD + 0.3	V
Digital input voltage with respect to DGND		DGND - 0.3	DVDD + 0.3	V
Ground voltage difference AGND to DGND			±0.3	V
Input current to all pins except supply			±10	mA
Maximum virtual junction temperature, T <sub>J</sub>			150	°C
Storage temperature, T <sub>stg</sub>		-65	150	°C

(1) Stresses beyond those listed under *Absolute Maximum Ratings* may cause permanent damage to the device. These are stress ratings only, which do not imply functional operation of the device at these or any other conditions beyond those indicated under *Recommended Operating Conditions*. Exposure to absolute-maximum-rated conditions for extended periods may affect device reliability.

### 7.2 ESD Ratings

			VALUE	UNIT
V <sub>(ESD)</sub>	Electrostatic discharge	Human-body model (HBM), per ANSI/ESDA/JEDEC JS-001 <sup>(1)</sup>	±2500	V
		Charged-device model (CDM), per JEDEC specification JESD22-C101 <sup>(2)</sup>	±500	

(1) JEDEC document JEP155 states that 500-V HBM allows safe manufacturing with a standard ESD control process.

(2) JEDEC document JEP157 states that 250-V CDM allows safe manufacturing with a standard ESD control process.

### 7.3 Recommended Operating Conditions

over operating free-air temperature range (unless otherwise noted)

		MIN	NOM	MAX	UNIT
AVDD	Analog supply voltage	4.5	5.0	5.5	V
DVDD	Buffer I/O supply voltage	2.7	3.3	5.5	V
HVDD	Input positive supply voltage	5.0	15.0	16.5	V
HVSS	Input negative supply voltage	-16.5	-15.0	-5.0	V
T <sub>A</sub>	Operating ambient temperature range	-40	25	125	°C

### 7.4 Thermal Information

THERMAL METRIC <sup>(1)</sup>		ADS85x8		UNIT
		RGC (VQFN)	PM (LQFP)	
		64 PINS	64 PINS	
R <sub>θJA</sub>	Junction-to-ambient thermal resistance	22	48.5	°C/W
R <sub>θJC(top)</sub>	Junction-to-case (top) thermal resistance	9.0	9.4	°C/W
R <sub>θJB</sub>	Junction-to-board thermal resistance	3.6	21.9	°C/W
ψ <sub>JT</sub>	Junction-to-top characterization parameter	0.1	0.3	°C/W
ψ <sub>JB</sub>	Junction-to-board characterization parameter	2.9	21.4	°C/W
R <sub>θJC(bot)</sub>	Junction-to-case (bottom) thermal resistance	0.3	n/a	°C/W

(1) For more information about traditional and new thermal metrics, see the *Semiconductor and IC Package Thermal Metrics* application report, [SPRA953](#).

## 7.5 Electrical Characteristics: General

All minimum and maximum specifications are at  $T_A = -40^\circ\text{C}$  to  $+125^\circ\text{C}$ , specified supply voltage range,  $V_{REF} = 2.5\text{ V}$  (internal),  $V_{IN} = \pm 10\text{ V}$ , and  $f_{DATA} = \text{max}$ , unless otherwise noted. Typical values are at  $T_A = 25^\circ\text{C}$ ,  $HVDD = 15\text{ V}$ ,  $HVSS = -15\text{ V}$ ,  $AVDD = 5\text{ V}$ , and  $DVDD = 3.3\text{ V}$ .

PARAMETER		TEST CONDITIONS	MIN	TYP	MAX	UNIT
<b>ANALOG INPUT</b>						
CHXX	Bipolar full-scale range	RANGE pin, RANGE bit = 0	-4 VREF		4 VREF	V
		RANGE pin, RANGE bit = 1	-2 VREF		2 VREF	
	Input capacitance	Input range = $\pm 4\text{ VREF}$		10		pF
		Input range = $\pm 2\text{ VREF}$		20		
	Input leakage current	No ongoing conversion	-1		1	$\mu\text{A}$
	Aperture delay			5		ns
	Aperture delay matching	Common CONVST for all channels		100		ps
	Aperture jitter			50		ps
PSRR	Power-supply rejection ratio	At output code FFFFh, related to HVDD and HVSS		-78		dB
<b>REFERENCE VOLTAGE OUTPUT (REF<sub>OUT</sub>)</b>						
VREF	Reference voltage	2.5-V operation, REFDAC = 3FFh	2.485	2.5	2.515	V
		2.5-V operation, REFDAC = 3FFh at 25°C	2.496	2.5	2.504	
		3.0-V operation, REFDAC = 3FFh	2.985	3.0	3.015	
		3.0-V operation, REFDAC = 3FFh at 25°C	2.995	3.0	3.005	
dVREF/dT	Reference voltage drift		$\pm 10$			ppm/°C
PSRR	Power-supply rejection ratio	At output code FFFFh, related to AVDD		-77		dB
IREF <sub>OUT</sub>	Output current	At dc current	-2		2	mA
IREF <sub>SC</sub>	Short-circuit current <sup>(1)</sup>			50		mA
t <sub>REFON</sub>	Turn-on settling time			10		ms
	External load capacitance	At REF_xP, REF_xN pins	4.7	10		$\mu\text{F}$
		At REFIO pin	100	470		nF
REFDAC	Tuning range	Internal reference output voltage range	0.2 VREF		VREF	V
		REFDAC resolution	10			Bits
DNL <sub>DAC</sub>	REFDAC differential nonlinearity		-1	$\pm 0.1$	1	LSB
INL <sub>DAC</sub>	REFDAC integral nonlinearity		-2	$\pm 0.1$	2	LSB
V <sub>OSDAC</sub>	REFDAC offset error	VREF = 0.5 V (DAC = 0CDh)	-4	$\pm 0.65$	4	LSB
<b>REFERENCE VOLTAGE INPUT (REF<sub>IN</sub>)</b>						
VREF <sub>IN</sub>	Reference input voltage		0.5	2.5	3.025	V
	Input resistance			100		M $\Omega$
	Input capacitance			5		pF
	Reference input current				1	$\mu\text{A}$
<b>DIGITAL INPUTS<sup>(2)</sup> (CMOS with Schmitt-Trigger Logic Family)</b>						
	High-level input voltage		0.7 DVDD		DVDD + 0.3	V
	Low-level input voltage		DGND - 0.3		0.3 DVDD	V
	Input current	$V_I = \text{DVDD to DGND}$	-50		50	nA
	Input capacitance			5		pF
<b>DIGITAL OUTPUTS<sup>(2)</sup></b>						
	Output capacitance			5		pF
	Load capacitance				30	pF
	High-impedance-state output current		-50		50	nA
	Logic family			CMOS		
V <sub>OH</sub>	High-level output voltage	$I_{OH} = 100\ \mu\text{A}$	DVDD - 0.6			V
V <sub>OL</sub>	Low-level output voltage	$I_{OH} = -100\ \mu\text{A}$			DGND + 0.4	V

(1) Reference output current is not limited internally.

(2) Specified by design.

**Electrical Characteristics: General (continued)**

All minimum and maximum specifications are at  $T_A = -40^\circ\text{C}$  to  $+125^\circ\text{C}$ , specified supply voltage range,  $V_{REF} = 2.5\text{ V}$  (internal),  $V_{IN} = \pm 10\text{ V}$ , and  $f_{DATA} = \text{max}$ , unless otherwise noted. Typical values are at  $T_A = 25^\circ\text{C}$ ,  $HVDD = 15\text{ V}$ ,  $HVSS = -15\text{ V}$ ,  $AVDD = 5\text{ V}$ , and  $DVDD = 3.3\text{ V}$ .

PARAMETER		TEST CONDITIONS	MIN	TYP	MAX	UNIT	
<b>POWER-SUPPLY REQUIREMENTS</b>							
AVDD	Analog supply voltage		4.5	5.0	5.5	V	
DVDD	Buffer I/O supply voltage		2.7	3.3	5.5	V	
HVDD	Input positive supply voltage		5.0	15.0	16.5	V	
HVSS	Input negative supply voltage		-16.5	-15.0	-5.0	V	
IAVDD	Analog supply current	ADS8528, $f_{DATA} = \text{maximum}$		37.9	50.1	mA	
		ADS8548, $f_{DATA} = \text{maximum}$		37.3	49.3		
		ADS8568, $f_{DATA} = \text{maximum}$		36.6	48.4		
		$f_{DATA} = 250\text{ kSPS}$ , auto-sleep mode		20.3	30.0		
		$f_{DATA} = 200\text{ kSPS}$ , auto-sleep mode		17			
		$f_{DATA} = 10\text{ kSPS}$ , normal operation		30			
		$f_{DATA} = 10\text{ kSPS}$ , auto-sleep mode		4.6			
		Auto-sleep mode, no ongoing conversion, internal conversion clock					7.0
	Power-down mode				0.03		
IDVDD	Buffer I/O supply current	$f_{DATA} = \text{maximum}$		0.5	2.0	mA	
		$f_{DATA} = 250\text{ kSPS}$		0.5	1.4		
		$f_{DATA} = 200\text{ kSPS}$		0.5			
		$f_{DATA} = 10\text{ kSPS}$		0.4			
		Auto-sleep mode, no ongoing conversion, internal conversion clock					0.35
		Power-down mode					0.01
IHVDD	Input positive supply current	ADS8528, $f_{DATA} = \text{maximum}$		3.0	4.2	mA	
		ADS8548, $f_{DATA} = \text{maximum}$		2.8	3.9		
		ADS8568, $f_{DATA} = \text{maximum}$		2.3	3.2		
		$f_{DATA} = 250\text{ kSPS}$		1.8	2.4		
		$f_{DATA} = 200\text{ kSPS}$		1.5			
		$f_{DATA} = 10\text{ kSPS}$		0.4			
		Auto-sleep mode, no ongoing conversion, internal conversion clock					0.45
		Power-down mode					0.01

**Electrical Characteristics: General (continued)**

All minimum and maximum specifications are at  $T_A = -40^\circ\text{C}$  to  $+125^\circ\text{C}$ , specified supply voltage range,  $V_{REF} = 2.5\text{ V}$  (internal),  $V_{IN} = \pm 10\text{ V}$ , and  $f_{DATA} = \text{max}$ , unless otherwise noted. Typical values are at  $T_A = 25^\circ\text{C}$ ,  $HVDD = 15\text{ V}$ ,  $HVSS = -15\text{ V}$ ,  $AVDD = 5\text{ V}$ , and  $DVDD = 3.3\text{ V}$ .

PARAMETER		TEST CONDITIONS	MIN	TYP	MAX	UNIT	
<b>POWER-SUPPLY REQUIREMENTS (continued)</b>							
IHVSS	Input negative supply current	ADS8528, $f_{DATA} = \text{maximum}$		3.4	4.5	mA	
		ADS8548, $f_{DATA} = \text{maximum}$		3.3	4.4		
		ADS8568, $f_{DATA} = \text{maximum}$		2.7	3.6		
		$f_{DATA} = 250\text{ kSPS}$		2.1	2.6		
		$f_{DATA} = 200\text{ kSPS}$		1.7			
		$f_{DATA} = 10\text{ kSPS}$		0.4			
		Auto-sleep mode, no ongoing conversion, internal conversion clock					0.35
		Power-down mode					0.01
Power dissipation <sup>(3)</sup>		ADS8528, $f_{DATA} = \text{maximum}$		287.1	430.1	mW	
		ADS8548, $f_{DATA} = \text{maximum}$		279.7	419.1		
		ADS8568, $f_{DATA} = \text{maximum}$		259.7	389.4		
		$f_{DATA} = 250\text{ kSPS}$ , auto-sleep mode		161.7	255.2		
		$f_{DATA} = 200\text{ kSPS}$ , auto-sleep mode		151.2			
		$f_{DATA} = 10\text{ kSPS}$ , normal operation		163.3			
		$f_{DATA} = 10\text{ kSPS}$ , auto-sleep mode		36.3			
		Auto-sleep mode, no ongoing conversion, internal conversion clock					53.6
Power-down mode				0.6			

(3) Maximum power dissipation values are specified with  $HVDD = 15\text{ V}$  and  $HVSS = -15\text{ V}$ .

## 7.6 Electrical Characteristics: ADS8528

All minimum and maximum specifications are at  $T_A = -40^{\circ}\text{C}$  to  $+125^{\circ}\text{C}$ , specified supply voltage range,  $V_{REF} = 2.5\text{ V}$  (internal),  $V_{IN} = \pm 10\text{ V}$ , and  $f_{DATA} = \text{max}$ , unless otherwise noted. Typical values are at  $T_A = 25^{\circ}\text{C}$ ,  $HVDD = 15\text{ V}$ ,  $HVSS = -15\text{ V}$ ,  $AVDD = 5\text{ V}$ , and  $DVDD = 3.3\text{ V}$ .

PARAMETER		TEST CONDITIONS	MIN	TYP	MAX	UNIT
<b>SAMPLING DYNAMICS</b>						
	Conversion time	Internal conversion clock			1.33	$\mu\text{s}$
$f_{DATA}$	Throughput rate	Serial interface, all four SDOx active			480	kSPS
		Parallel interface			650	
<b>DC ACCURACY</b>						
	Resolution			12		Bits
	No missing codes		12			Bits
INL	Integral linearity error <sup>(1)</sup>		-0.75	$\pm 0.2$	0.75	LSB
DNL	Differential linearity error		-0.5	$\pm 0.2$	0.5	LSB
	Offset error		-1.5	$\pm 0.5$	1.5	mV
	Offset error matching		-0.65		0.65	mV
	Offset error drift			$\pm 3.5$		$\mu\text{V}/^{\circ}\text{C}$
	Gain error	Referenced to voltage at REFIO	-0.5%	$\pm 0.25\%$	0.5%	
	Gain error matching	Between channels of any pair	-0.2%		0.2%	
		Between any two channels	-0.4%		0.4%	
	Gain error drift	Referenced to voltage at REFIO		$\pm 6$		ppm/ $^{\circ}\text{C}$
<b>AC ACCURACY</b>						
SNR	Signal-to-noise ratio	At $f_{IN} = 10\text{ kHz}$	73	73.9		dB
SINAD	Signal-to-noise ratio + distortion	At $f_{IN} = 10\text{ kHz}$	73	73.8		dB
THD	Total harmonic distortion <sup>(2)</sup>	At $f_{IN} = 10\text{ kHz}$		-89	-84	dB
SFDR	Spurious-free dynamic range	At $f_{IN} = 10\text{ kHz}$	84	92		dB
	Channel-to-channel isolation	At $f_{IN} = 10\text{ kHz}$		120		dB
BW	-3-dB small-signal bandwidth	In 4-VREF mode		48		MHz
		In 2-VREF mode		24		

- (1) Integral nonlinearity is defined as the maximum deviation from a straight line passing through the end-points of the ideal ADC transfer function expressed as the number of LSBs or percentage of the specified full-scale range.
- (2) Calculated on the first nine harmonics of the input frequency.

## 7.7 Electrical Characteristics: ADS8548

All minimum and maximum specifications are at  $T_A = -40^\circ\text{C}$  to  $+125^\circ\text{C}$ , specified supply voltage range,  $V_{REF} = 2.5\text{ V}$  (internal),  $V_{IN} = \pm 10\text{ V}$ , and  $f_{DATA} = \text{max}$ , unless otherwise noted. Typical values are at  $T_A = 25^\circ\text{C}$ ,  $HVDD = 15\text{ V}$ ,  $HVSS = -15\text{ V}$ ,  $AVDD = 5\text{ V}$ , and  $DVDD = 3.3\text{ V}$ .

PARAMETER		TEST CONDITIONS	MIN	TYP	MAX	UNIT
<b>SAMPLING DYNAMICS</b>						
	Conversion time	Internal conversion clock			1.45	$\mu\text{s}$
$f_{DATA}$	Throughput rate	Serial interface, all four SDOx active			450	kSPS
		Parallel interface			600	
<b>DC ACCURACY</b>						
	Resolution			14		Bits
	No missing codes		14			Bits
INL	Integral linearity error <sup>(1)</sup>		-1	$\pm 0.5$	1	LSB
DNL	Differential linearity error		-1	$\pm 0.25$	1	LSB
	Offset error		-1.5	$\pm 0.5$	1.5	mV
	Offset error matching		-0.65		0.65	mV
	Offset error drift			$\pm 3.5$		$\mu\text{V}/^\circ\text{C}$
	Gain error	Referenced to voltage at REFIO	-0.5%	$\pm 0.25\%$	0.5%	
	Gain error matching	Between channels of any pair	-0.2%		0.2%	
		Between any two channels	-0.4%		0.4%	
	Gain error drift	Referenced to voltage at REFIO		$\pm 6$		ppm/ $^\circ\text{C}$
<b>AC ACCURACY</b>						
SNR	Signal-to-noise ratio	At $f_{IN} = 10\text{ kHz}$	84	85		dB
SINAD	Signal-to-noise ratio + distortion	At $f_{IN} = 10\text{ kHz}$	83	84		dB
THD	Total harmonic distortion <sup>(2)</sup>	At $f_{IN} = 10\text{ kHz}$		-91	-86	dB
SFDR	Spurious-free dynamic range	At $f_{IN} = 10\text{ kHz}$	86	92		dB
	Channel-to-channel isolation	At $f_{IN} = 10\text{ kHz}$		120		dB
BW	-3-dB small-signal bandwidth	In 4-VREF mode		48		MHz
		In 2-VREF mode		24		

- (1) Integral nonlinearity is defined as the maximum deviation from a straight line passing through the end-points of the ideal ADC transfer function expressed as the number of LSBs or percentage of the specified full-scale range.
- (2) Calculated on the first nine harmonics of the input frequency.

## 7.8 Electrical Characteristics: ADS8568

All minimum and maximum specifications are at  $T_A = -40^\circ\text{C}$  to  $+125^\circ\text{C}$ , specified supply voltage range,  $V_{REF} = 2.5\text{ V}$  (internal),  $V_{IN} = \pm 10\text{ V}$ , and  $f_{DATA} = \text{max}$ , unless otherwise noted. Typical values are at  $T_A = 25^\circ\text{C}$ ,  $HVDD = 15\text{ V}$ ,  $HVSS = -15\text{ V}$ ,  $AVDD = 5\text{ V}$ , and  $DVDD = 3.3\text{ V}$ .

PARAMETER		TEST CONDITIONS	MIN	TYP	MAX	UNIT
<b>SAMPLING DYNAMICS</b>						
	Conversion time	Internal conversion clock			1.7	$\mu\text{s}$
$f_{DATA}$	Throughput rate	Serial interface, all four SDOx active			400	kSPS
		Parallel interface			510	
<b>DC ACCURACY</b>						
	Resolution			16		Bits
	No missing codes		16			Bits
INL	Integral linearity error <sup>(1)</sup>	At $T_A = -40^\circ\text{C}$ to $+85^\circ\text{C}$ , VQFN package (RGC)	-3	$\pm 1.5$	3	LSB
		At $T_A = -40^\circ\text{C}$ to $+125^\circ\text{C}$ , VQFN package (RGC)	-4	$\pm 1.5$	4	
		At $T_A = -40^\circ\text{C}$ to $+85^\circ\text{C}$ , LQFP package (PM)	-4	$\pm 1.5$	4	
		At $T_A = -40^\circ\text{C}$ to $+125^\circ\text{C}$ , LQFP package (PM)	-4.5	$\pm 1.5$	4.5	
DNL	Differential linearity error	At $T_A = -40^\circ\text{C}$ to $+85^\circ\text{C}$	-1	$\pm 0.75$	1.75	LSB
		At $T_A = -40^\circ\text{C}$ to $+125^\circ\text{C}$	-1	$\pm 0.75$	2	
	Offset error		-1.5	$\pm 0.5$	1.5	mV
	Offset error matching		-0.65		0.65	mV
	Offset error drift			$\pm 3.5$		$\mu\text{V}/^\circ\text{C}$
	Gain error	Referenced to voltage at REFIO	-0.5%	$\pm 0.25\%$	0.5%	
	Gain error matching	Between channels of any pair	-0.2%		0.2%	
		Between any two channels	-0.4%		0.4%	
	Gain error drift	Referenced to voltage at REFIO		$\pm 6$		ppm/ $^\circ\text{C}$
<b>AC ACCURACY</b>						
SNR	Signal-to-noise ratio	At $f_{IN} = 10\text{ kHz}$ , $T_A = -40^\circ\text{C}$ to $+85^\circ\text{C}$	90	91.5		dB
		At $f_{IN} = 10\text{ kHz}$ , $T_A = -40^\circ\text{C}$ to $+125^\circ\text{C}$	89	91.5		
SINAD	Signal-to-noise ratio + distortion	At $f_{IN} = 10\text{ kHz}$ , $T_A = -40^\circ\text{C}$ to $+85^\circ\text{C}$	87	90		dB
		At $f_{IN} = 10\text{ kHz}$ , $T_A = -40^\circ\text{C}$ to $+125^\circ\text{C}$	86.5	90		
THD	Total harmonic distortion <sup>(2)</sup>	At $f_{IN} = 10\text{ kHz}$ , $T_A = -40^\circ\text{C}$ to $+85^\circ\text{C}$		-94	-90	dB
		At $f_{IN} = 10\text{ kHz}$ , $T_A = -40^\circ\text{C}$ to $+125^\circ\text{C}$		-94	-89.5	
SFDR	Spurious-free dynamic range	At $f_{IN} = 10\text{ kHz}$ , $T_A = -40^\circ\text{C}$ to $+85^\circ\text{C}$	90	95		dB
		At $f_{IN} = 10\text{ kHz}$ , $T_A = -40^\circ\text{C}$ to $+125^\circ\text{C}$	89.5	95		
	Channel-to-channel isolation	At $f_{IN} = 10\text{ kHz}$		120		dB
BW	-3-dB small-signal bandwidth	In 4-VREF mode		48		MHz
		In 2-VREF mode		24		

(1) Integral nonlinearity is defined as the maximum deviation from a straight line passing through the end-points of the ideal ADC transfer function expressed as the number of LSBs or percentage of the specified full-scale range.

(2) Calculated on the first nine harmonics of the input frequency.

## 7.9 Serial Interface Timing Requirements

over recommended operating free-air temperature range ( $T_A$ ),  $AVDD = 5\text{ V}$ , and  $DVDD = 2.7\text{ V}$  to  $5.5\text{ V}$  (unless otherwise noted)<sup>(1)</sup>

		MIN	NOM	MAX	UNIT
$t_{SCVX}$	CONVST_x high to XCLK rising edge setup time (CLKSEL = 1)	6			ns
$t_{XCLK}$	External conversion clock period	ADS8528	66.67		ns
		ADS8548	72.46		
		ADS8568	85.11		
	External conversion clock frequency	ADS8528	1	15.0	MHz
		ADS8548	1	13.8	
		ADS8568	1	11.75	
	External conversion clock duty cycle	40%		60%	
$t_{CVL}$	CONVST_x low time	20			ns
$t_{ACQ}$	Acquisition time	280			ns
	Clock cycles per conversion	ADS85x8, $t_{CCLK}$ or $t_{XCLK}$	19	20	Cycles
$t_{CONV}$	Conversion time	ADS8528, CLKSEL = 0		1.33	$\mu\text{s}$
		ADS8548, CLKSEL = 0		1.45	
		ADS8568, CLKSEL = 0		1.7	
$t_{DCVB}$	CONVST_x high to BUSY high delay			25	ns
$t_{BUFS}$	BUSY low to $\overline{FS}$ low time	ADS85x8, CLKSEL = 1	0		ns
		ADS8528, CLKSEL = 0 <sup>(2)</sup>	67		
		ADS8548, CLKSEL = 0 <sup>(2)</sup>	73		
		ADS8568, CLKSEL = 0 <sup>(2)</sup>	86		
$t_{FSCV}$	Bus access finished to next conversion start time	ADS8528	0		ns
		ADS8548	20		
		ADS8568	40		
$t_{SCLK}$	Serial clock period	0.022		10	$\mu\text{s}$
	Serial clock frequency	0.1		45	MHz
	Serial clock duty cycle	40%		60%	
$t_{DMSB}$	$\overline{FS}$ low to MSB valid delay			12	ns
$t_{HDO}$	Output data to SCLK falling edge hold time	5			ns
$t_{PDDO}$	SCLK falling edge to new data valid propagation delay			17	ns
$t_{DTRI}$	$\overline{FS}$ high to SDO_x three-state delay			10	ns
$t_{SUDI}$	Input data to SCLK falling edge setup time	3			ns
$t_{HDI}$	Input data to SCLK falling edge hold time	5			ns

(1) All input signals are specified with  $t_R = t_F = 1.5\text{ ns}$  (10% to 90% of  $DVDD$ ) and timed from a voltage level of  $(V_{IL} + V_{IH}) / 2$ .

(2) The device runs with an internal conversion clock. Data can be retrieved after the maximum conversion time  $t_{CONV(max)}$ , independently from the BUSY signal. When referring the data readout to the falling edge of the BUSY signal,  $t_{BUFS(min)}$  must be taken into account (see the [Data Readout and BUSY/INT Signal](#) section).



## 7.10 Parallel Interface Timing Requirements (Read Access)

over recommended operating free-air temperature range ( $T_A$ ),  $AVDD = 5\text{ V}$ , and  $DVDD = 2.7\text{ V}$  to  $5.5\text{ V}$  (unless otherwise noted)<sup>(1)</sup>

			MIN	NOM	MAX	UNIT
$t_{CVL}$	CONVST_x low time		20			ns
$t_{ACQ}$	Acquisition time		280			ns
	Clock cycles per conversion	ADS85x8, $t_{CCLK}$ or $t_{XCLK}$	19		20	Cycles
$t_{CONV}$	Conversion time	ADS8528, CLKSEL = 0			1.33	$\mu\text{s}$
		ADS8548, CLKSEL = 0			1.45	
		ADS8568, CLKSEL = 0			1.7	
$t_{DCVB}$	CONVST_x high to BUSY high delay				25	ns
$t_{BUCS}$	BUSY low to $\overline{CS}$ low time	ADS85x8, CLKSEL = 1	0			ns
		ADS8528, CLKSEL = 0 <sup>(2)</sup>	67			
		ADS8548, CLKSEL = 0 <sup>(2)</sup>	73			
		ADS8568, CLKSEL = 0 <sup>(2)</sup>	86			
$t_{CSCV}$	Bus access finished to next conversion start time <sup>(3)</sup>	ADS8528	0			ns
		ADS8548	20			
		ADS8568	40			
$t_{CSRd}$	$\overline{CS}$ low to $\overline{RD}$ low time		0			ns
$t_{RDcS}$	$\overline{RD}$ high to $\overline{CS}$ high time		0			ns
$t_{RDl}$	$\overline{RD}$ pulse duration		20			ns
$t_{RDh}$	Minimum time between two read accesses		2			ns
$t_{PDdO}$	$\overline{RD}$ or $\overline{CS}$ falling edge to data valid propagation delay				15	ns
$t_{HD0}$	Output data to $\overline{RD}$ or $\overline{CS}$ rising edge hold time		5			ns
$t_{DTRI}$	$\overline{CS}$ high to DB[15:0] three-state delay				10	ns

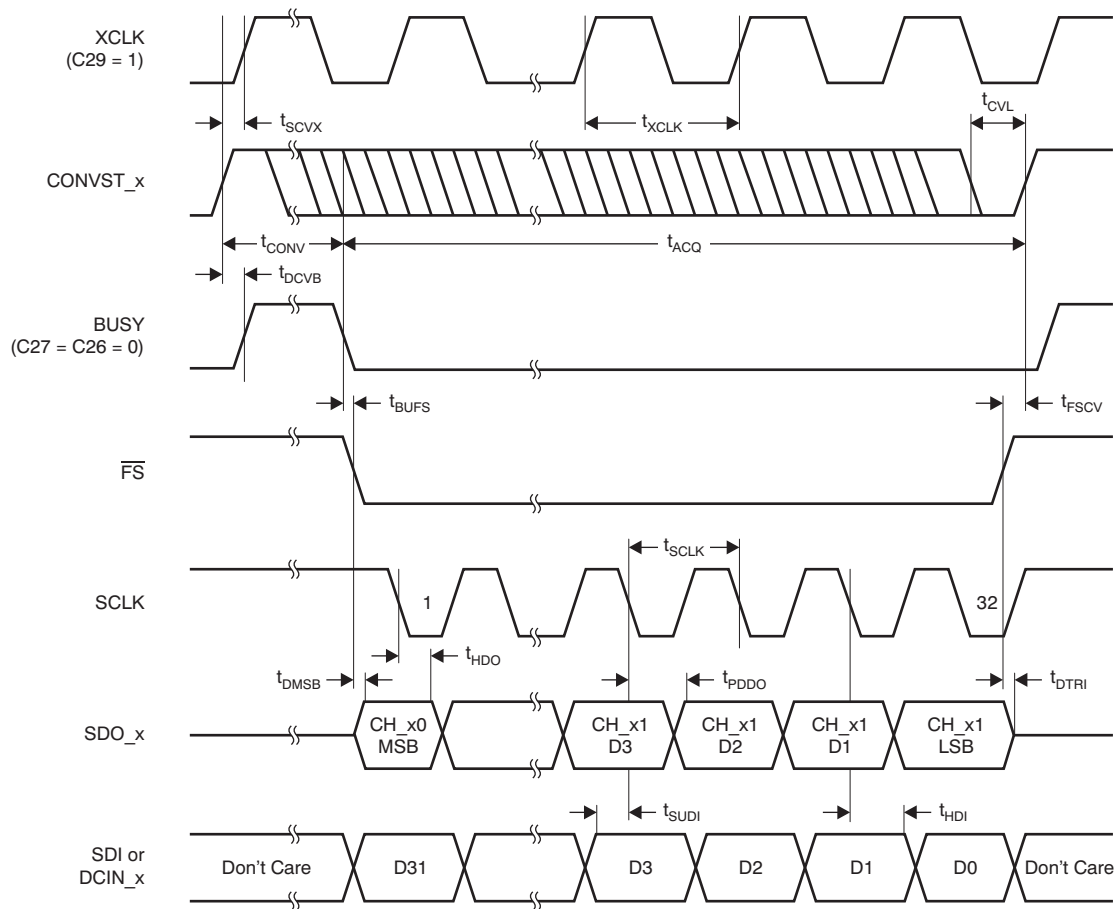
- (1) All input signals are specified with  $t_R = t_F = 1.5\text{ ns}$  (10% to 90% of  $DVDD$ ) and timed from a voltage level of  $(V_{IL} + V_{IH}) / 2$ .
- (2) The device runs with an internal conversion clock. Data can be retrieved after the maximum conversion time  $t_{CONV(max)}$ , independently from the BUSY signal. When referring the data readout to the falling edge of the BUSY signal,  $t_{BUCS(min)}$  must be taken into account (see the [Data Readout and BUSY/INT Signal](#) section).
- (3) See the  $\overline{CS}$  signal or  $\overline{RD}$ , whichever occurs first.

## 7.11 Parallel Interface Timing Requirements (Write Access)

over recommended ambient temperature range ( $T_A$ ),  $AVDD = 5\text{ V}$ , and  $DVDD = 2.7\text{ V}$  to  $5.5\text{ V}$  (unless otherwise noted)<sup>(1)</sup>

			MIN	NOM	MAX	UNIT
$t_{CSWR}$	$\overline{CS}$ low to $\overline{WR}$ low time		0			ns
$t_{WRl}$	$\overline{WR}$ low pulse duration		15			ns
$t_{WRh}$	Minimum time between two write accesses		10			ns
$t_{WRcS}$	$\overline{WR}$ high to $\overline{CS}$ high time		0			ns
$t_{SUDI}$	Output data to $\overline{WR}$ rising edge setup time		5			ns
$t_{HDI}$	Data output to $\overline{WR}$ rising edge hold time		5			ns

- (1) All input signals are specified with  $t_R = t_F = 1.5\text{ ns}$  (10% to 90% of  $DVDD$ ) and timed from a voltage level of  $(V_{IL} + V_{IH}) / 2$ .



**Figure 1. Serial Operation Timing Diagram (All Four SDO<sub>x</sub> Active)**

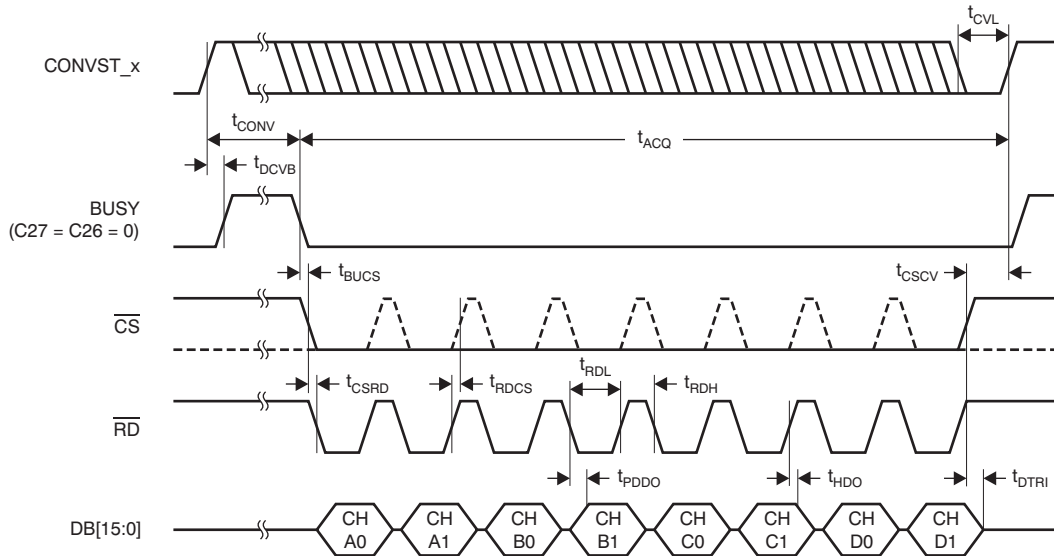


Figure 2. Parallel Read Access Timing Diagram

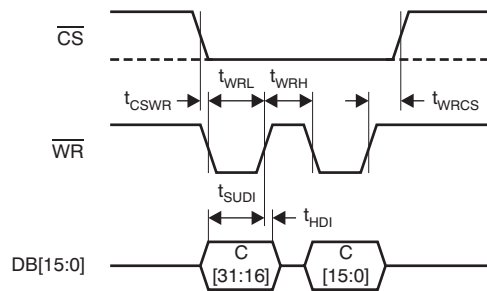


Figure 3. Parallel Write Access Timing Diagram

### 7.12 Typical Characteristics

graphs are valid for all devices of the family, at  $T_A = 25^\circ\text{C}$ ,  $HVDD = 15\text{ V}$ ,  $HVSS = -15\text{ V}$ ,  $AVDD = 5\text{ V}$ ,  $DVDD = 3.3\text{ V}$ ,  $VREF = 2.5\text{ V}$  (internal),  $V_{IN} = \pm 10\text{ V}$ , and  $f_{DATA} = \text{maximum}$  (unless otherwise noted)

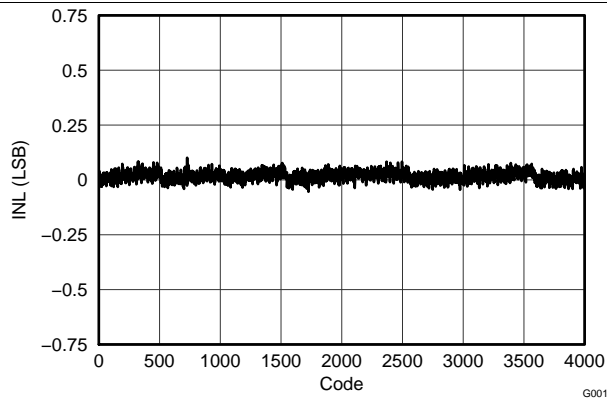


Figure 4. Integral Nonlinearity vs Code (ADS8528)

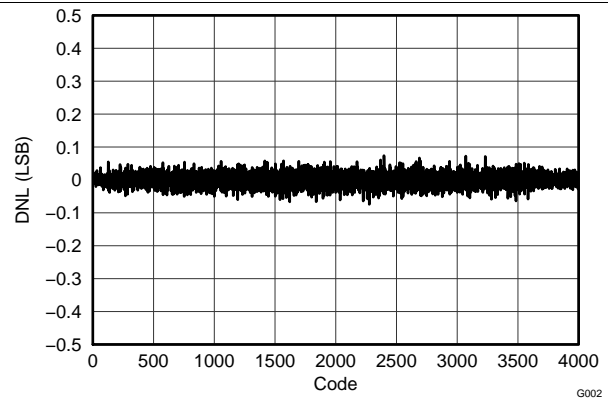


Figure 5. Differential Nonlinearity vs Code (ADS8528)

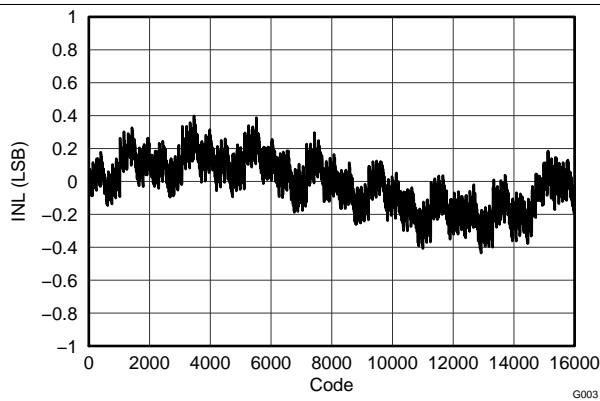


Figure 6. Integral Nonlinearity vs Code (ADS8548  $\pm 10\text{-}V_{IN}$  Range)

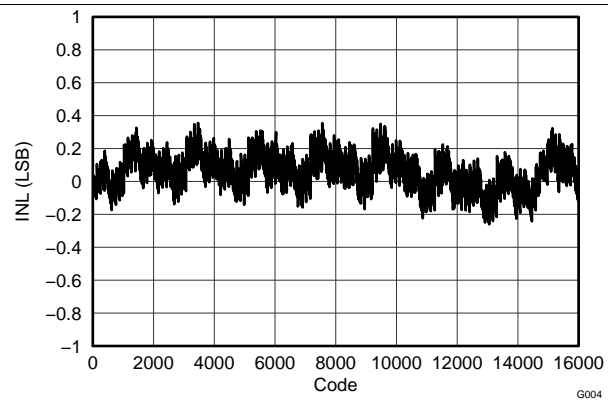


Figure 7. Integral Nonlinearity vs Code (ADS8548  $\pm 5\text{-}V_{IN}$  Range)

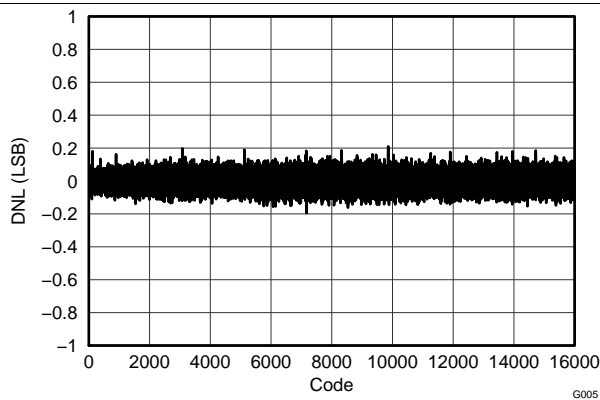


Figure 8. Differential Nonlinearity vs Code (ADS8548  $\pm 10\text{-}V_{IN}$  Range)

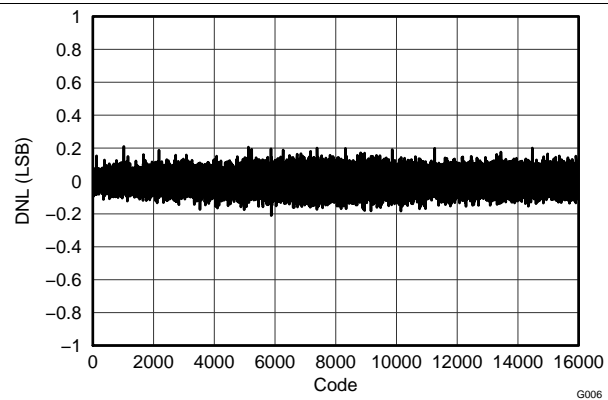


Figure 9. Differential Nonlinearity vs Code (ADS8548  $\pm 5\text{-}V_{IN}$  Range)

Typical Characteristics (continued)

graphs are valid for all devices of the family, at  $T_A = 25^\circ\text{C}$ ,  $HVDD = 15\text{ V}$ ,  $HVSS = -15\text{ V}$ ,  $AVDD = 5\text{ V}$ ,  $DVDD = 3.3\text{ V}$ ,  $V_{REF} = 2.5\text{ V}$  (internal),  $V_{IN} = \pm 10\text{ V}$ , and  $f_{DATA} = \text{maximum}$  (unless otherwise noted)

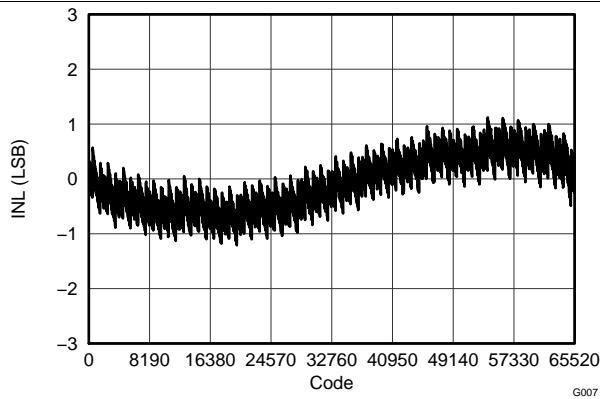


Figure 10. Integral Nonlinearity vs Code (ADS8568  $\pm 10\text{-}V_{IN}$  Range)

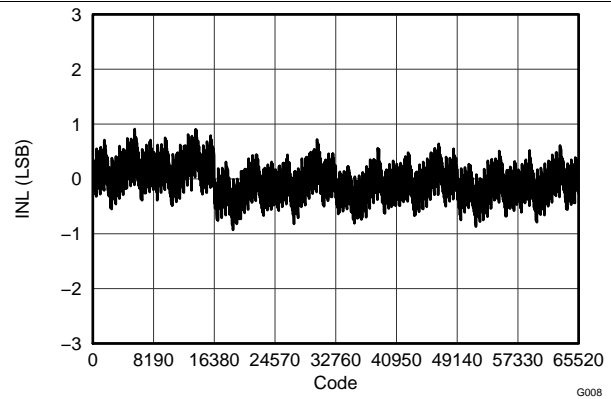


Figure 11. Integral Nonlinearity vs Code (ADS8568  $\pm 5\text{-}V_{IN}$  Range)

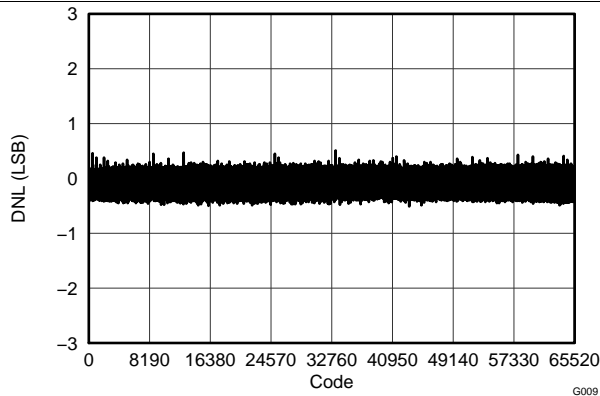


Figure 12. Differential Nonlinearity vs Code (ADS8568  $\pm 10\text{-}V_{IN}$  Range)

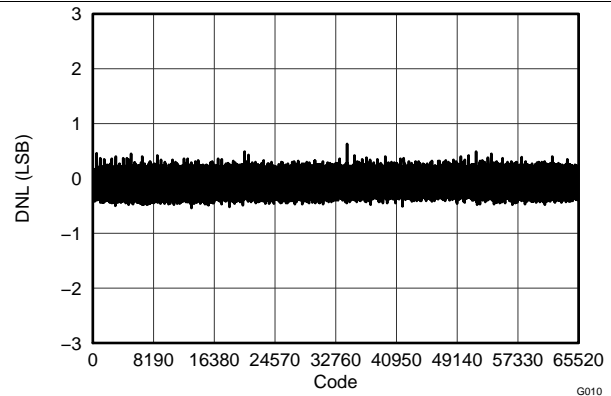


Figure 13. Differential Nonlinearity vs Code (ADS8568  $\pm 5\text{-}V_{IN}$  Range)

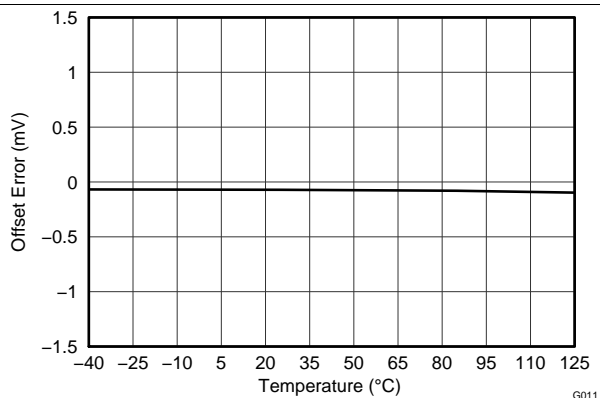


Figure 14. Offset Error vs Temperature

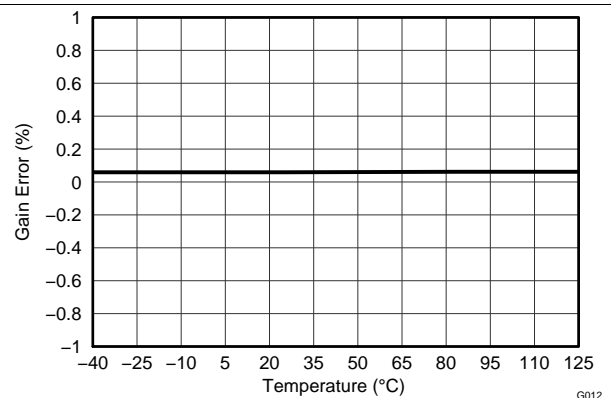
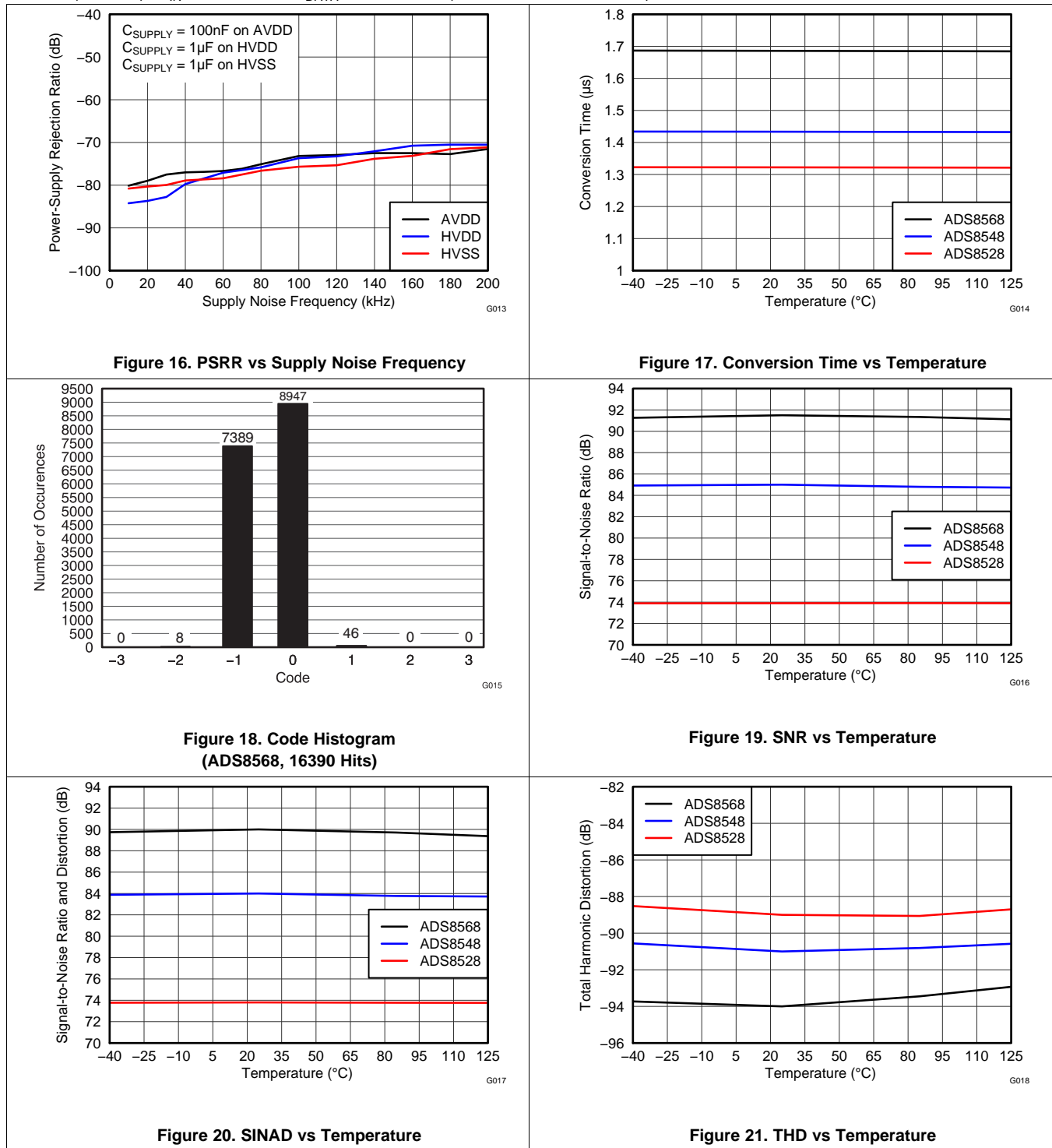


Figure 15. Gain Error vs Temperature

Typical Characteristics (continued)

graphs are valid for all devices of the family, at  $T_A = 25^\circ\text{C}$ ,  $HVDD = 15\text{ V}$ ,  $HVSS = -15\text{ V}$ ,  $AVDD = 5\text{ V}$ ,  $DVDD = 3.3\text{ V}$ ,  $VREF = 2.5\text{ V}$  (internal),  $V_{IN} = \pm 10\text{ V}$ , and  $f_{DATA} = \text{maximum}$  (unless otherwise noted)



### Typical Characteristics (continued)

graphs are valid for all devices of the family, at  $T_A = 25^\circ\text{C}$ ,  $HVDD = 15\text{ V}$ ,  $HVSS = -15\text{ V}$ ,  $AVDD = 5\text{ V}$ ,  $DVDD = 3.3\text{ V}$ ,  $V_{REF} = 2.5\text{ V}$  (internal),  $V_{IN} = \pm 10\text{ V}$ , and  $f_{DATA} = \text{maximum}$  (unless otherwise noted)

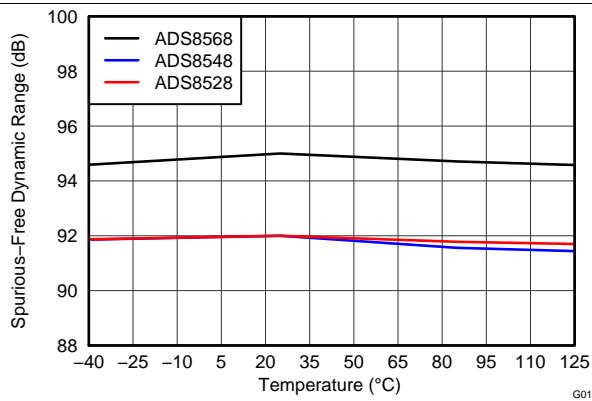


Figure 22. SFDR vs Temperature

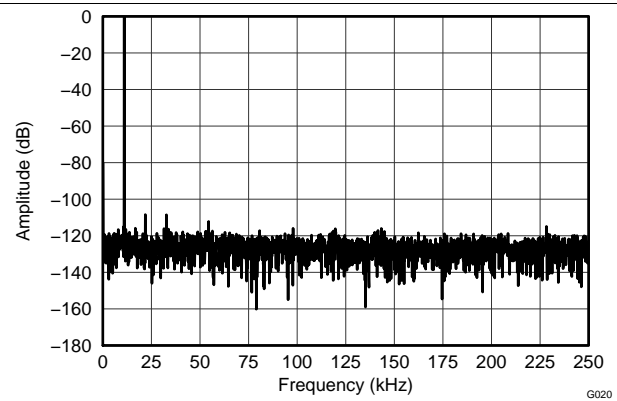


Figure 23. Frequency Spectrum  
(ADS8568, 2048-Point FFT,  $f_{IN} = 10\text{ kHz}$ ,  $\pm 10\text{-}V_{IN}$  Range)

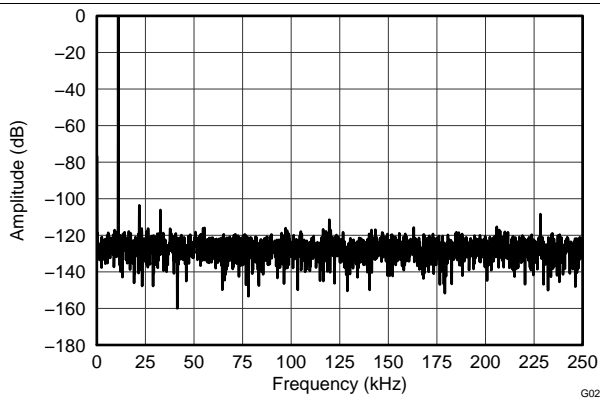


Figure 24. Frequency Spectrum  
(ADS8568, 2048-Point FFT,  $f_{IN} = 10\text{ kHz}$ ,  $\pm 5\text{-}V_{IN}$  Range)

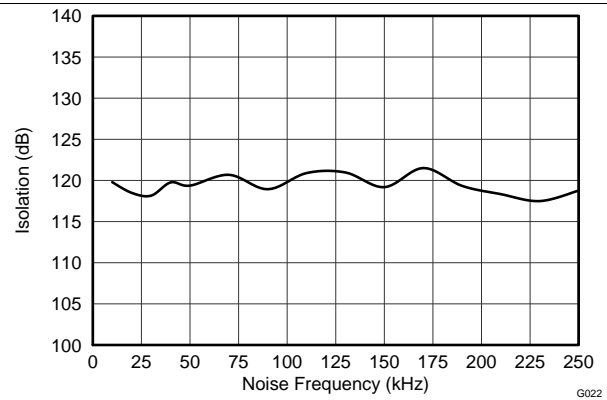


Figure 25. Channel-to-Channel Isolation vs  
Input Noise Frequency

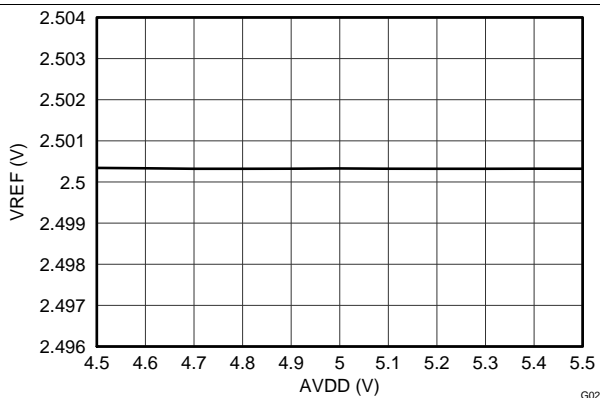


Figure 26. Internal Reference Voltage vs  
Analog Supply Voltage (2.5-V Mode)

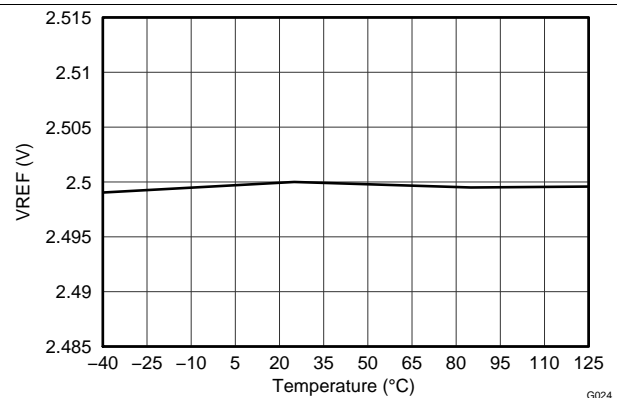


Figure 27. Internal Reference Voltage vs Temperature  
(2.5-V Mode)

### Typical Characteristics (continued)

graphs are valid for all devices of the family, at  $T_A = 25^\circ\text{C}$ ,  $HVDD = 15\text{ V}$ ,  $HVSS = -15\text{ V}$ ,  $AVDD = 5\text{ V}$ ,  $DVDD = 3.3\text{ V}$ ,  $VREF = 2.5\text{ V}$  (internal),  $V_{IN} = \pm 10\text{ V}$ , and  $f_{DATA} = \text{maximum}$  (unless otherwise noted)

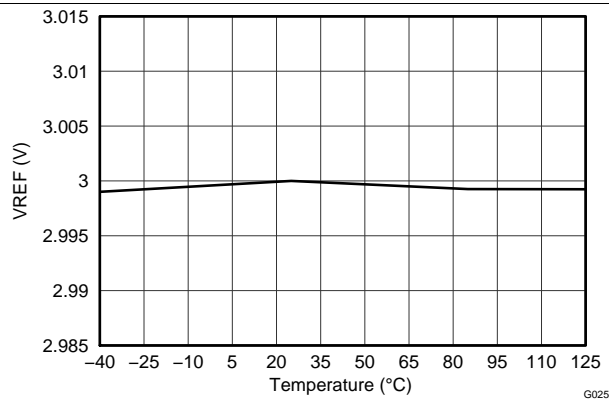


Figure 28. Internal Reference Voltage vs Temperature (3.0-V Mode)

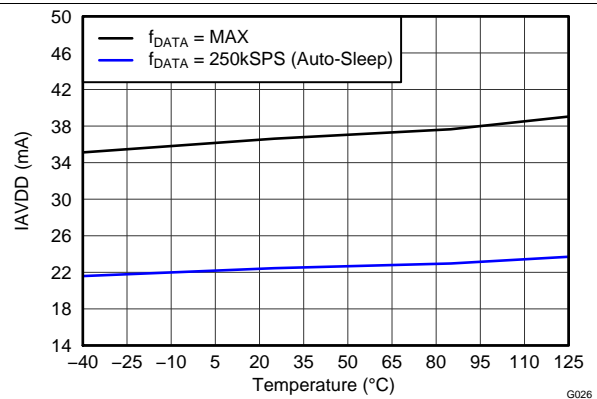


Figure 29. ADS8568 Analog Supply Current vs Temperature

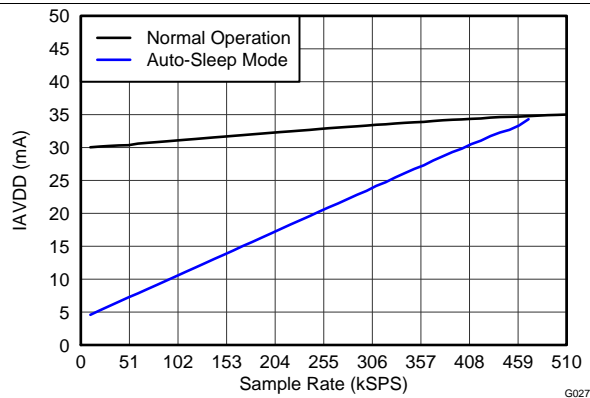


Figure 30. ADS8568 Analog Supply Current vs Data Rate

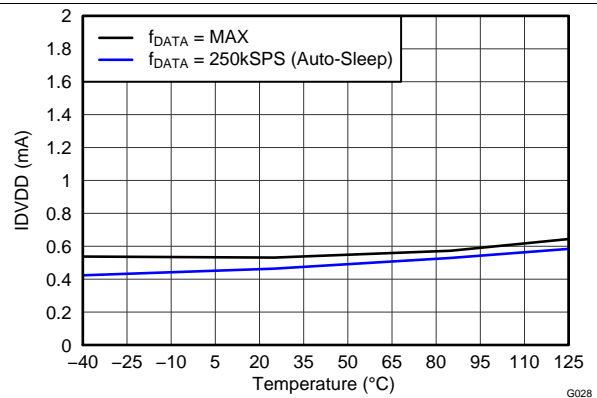


Figure 31. Buffer I/O Supply Current vs Temperature

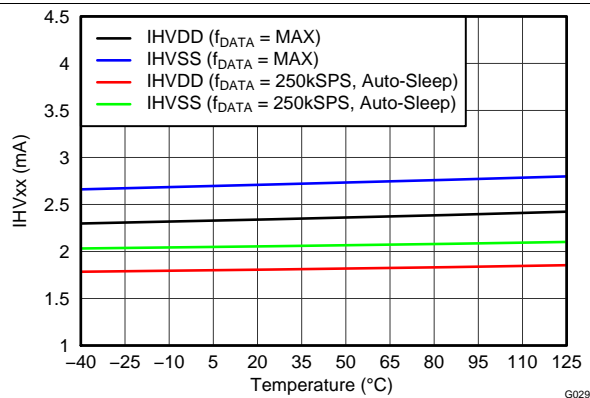


Figure 32. ADS8568 Input Supply Current vs Temperature

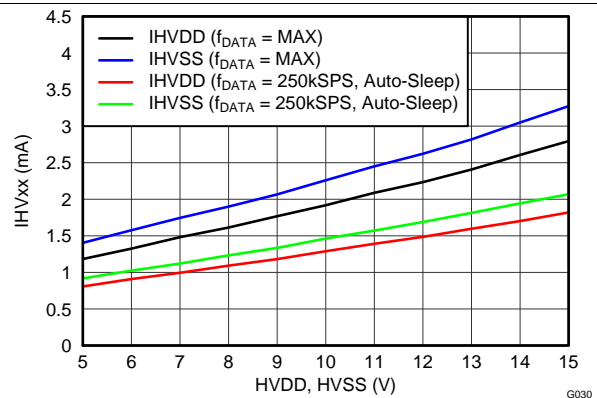
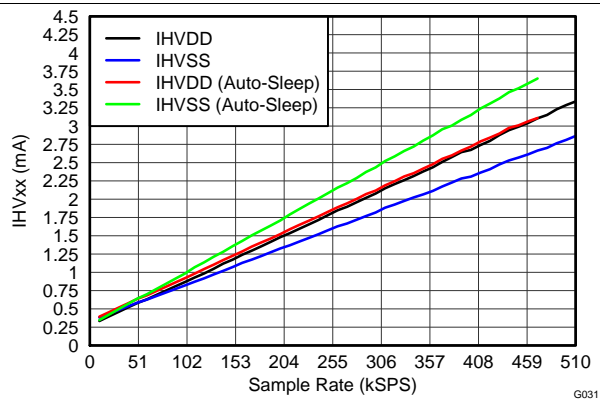


Figure 33. ADS8568 Input Supply Current vs Input Supply Voltage



**Typical Characteristics (continued)**

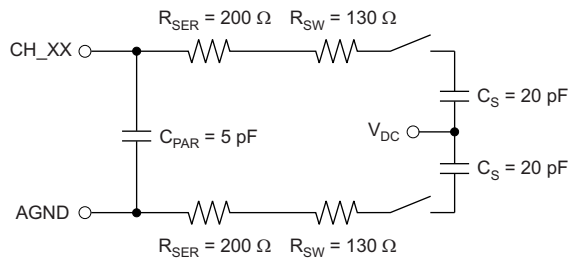
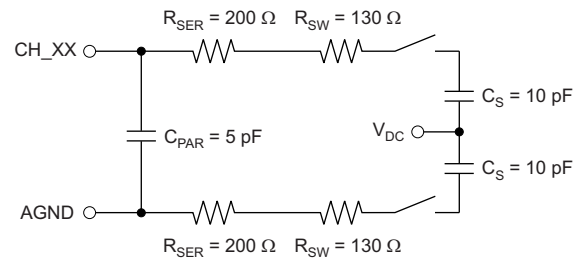
graphs are valid for all devices of the family, at  $T_A = 25^\circ\text{C}$ ,  $HVDD = 15\text{ V}$ ,  $HVSS = -15\text{ V}$ ,  $AVDD = 5\text{ V}$ ,  $DVDD = 3.3\text{ V}$ ,  $VREF = 2.5\text{ V}$  (internal),  $V_{IN} = \pm 10\text{ V}$ , and  $f_{DATA} = \text{maximum}$  (unless otherwise noted)



**Figure 34. ADS8568 Input Supply Current vs Data Rate**

## 8 Parameter Measurement information

### 8.1 Equivalent Circuits

 Input Range:  $\pm 2$  VREF

 Input Range:  $\pm 4$  VREF

**Figure 35. Equivalent Input Circuits**

## 9 Detailed Description

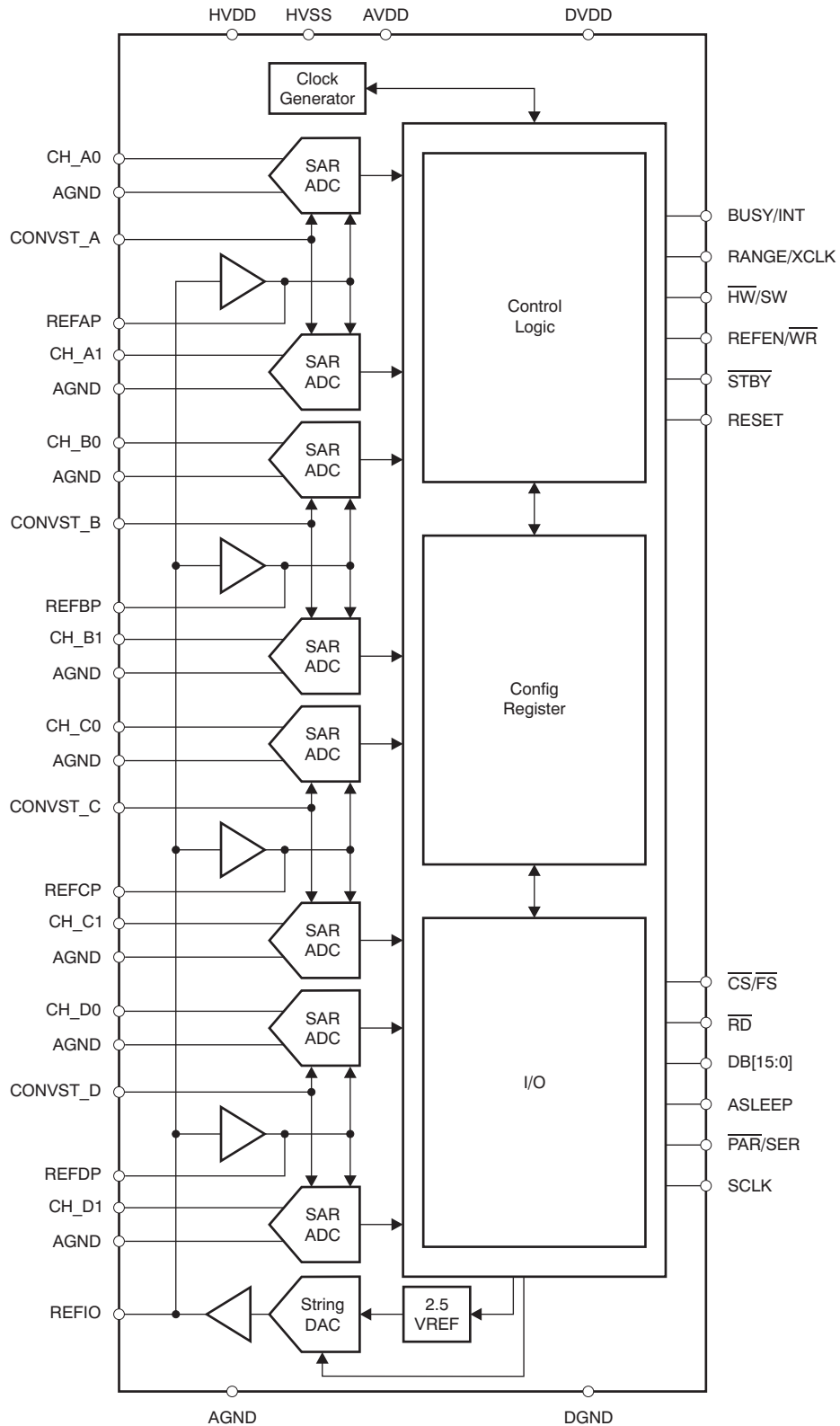
### 9.1 Overview

The ADS85x8 series includes eight 12-, 14-, and 16-bit analog-to-digital converters (ADCs) that operate based on the successive approximation register (SAR) architecture. This architecture is designed on the charge redistribution principle that inherently includes a sample-and-hold function. The eight analog inputs are grouped into four channel pairs. These channel pairs can be sampled and converted simultaneously, preserving the relative phase information of the signals of each pair. Separate conversion start signals allow simultaneous sampling on each channel pair of four, six, or eight channels. These devices accept single-ended, bipolar analog input signals in the selectable ranges of  $\pm 4$  VREF or  $\pm 2$  VREF with an absolute value of up to  $\pm 12$  V; see the [Analog Inputs](#) section.

The devices offer an internal 2.5-V or 3-V reference source followed by a 10-bit digital-to-analog converter (DAC) that allows the reference voltage VREF to be adjusted in 2.44-mV or 2.93-mV steps, respectively.

The ADS85x8 also offer a selectable parallel or serial interface that can be used in hardware or software mode; see the [Device Configuration](#) section for details. The [Analog](#) and [Digital](#) sections describe the functionality and control of the device in detail.

## 9.2 Functional Block Diagram



## 9.3 Feature Description

### 9.3.1 Analog

This section addresses the analog input circuit, the ADCs and control signals, and the reference design of the device.

#### 9.3.1.1 Analog Inputs

The inputs and the converters are of single-ended bipolar type. The absolute voltage range can be selected using the RANGE pin (in hardware mode) or RANGE\_x bits (in software mode) in the [Configuration \(CONFIG\) register](#) to either  $\pm 4$  VREF or  $\pm 2$  VREF. With the internal reference set to 2.5 V (VREF bit C13 = 0 in the CONFIG register), the input voltage range can be  $\pm 10$  V or  $\pm 5$  V. With the internal reference source set to 3 V (CONFIG bit C13 = 1), an input voltage range of  $\pm 12$  V or  $\pm 6$  V can be configured. The logic state of the RANGE pin is latched with the falling edge of BUSY (if CONFIG bit C26 = 0).

The input current on the analog inputs depends on the actual sample rate, input voltage, and signal source impedance. Essentially, the current into the analog inputs charges the internal capacitor array only during the sampling period ( $t_{ACQ}$ ). The source of the analog input voltage must be able to charge the input capacitance of 10 pF in  $\pm 4$ -VREF mode or of 20 pF in  $\pm 2$ -VREF mode to a 12-, 14-, or 16-bit accuracy level within the acquisition time; see [Figure 35](#). During the conversion period, there is no further input current flow and the input impedance is greater than 1 M $\Omega$ . To ensure a defined start condition, the sampling capacitors of the ADS85x8 are pre-charged to a fixed internal voltage before switching into sampling mode.

To maintain the linearity of the converter, the inputs must always remain within the specified range defined in the [Electrical Characteristics](#) table. The minimum  $-3$ -dB bandwidth of the driving operational amplifier can be calculated using [Equation 1](#):

$$f_{3dB} = \frac{\ln(2)(n + 1)}{2\pi t_{ACQ}}$$

where

- $n = 12, 14, \text{ or } 16$ ;  $n$  is the resolution of the ADS85x8 (1)

With a minimum acquisition time of  $t_{ACQ} = 280$  ns, the required minimum bandwidth of the driving amplifier is 5.2 MHz for the ADS8528, 6.0 MHz for the ADS8548, or 6.7 MHz for the ADS8568. The required bandwidth can be lower if the application allows a longer acquisition time. A gain error occurs if a given application does not fulfill the bandwidth requirement shown in [Equation 1](#).

A driving operational amplifier may not be required if the impedance of the signal source ( $R_{SOURCE}$ ) fulfills the requirement of [Equation 2](#):

$$R_{SOURCE} < \frac{t_{ACQ}}{C_S \ln(2)(n + 1)} - (R_{SER} + R_{SW})$$

where

- $n = 12, 14, \text{ or } 16$ ;  $n$  is the resolution of the ADC
- $C_S = 10$  pF is the sample capacitor value in  $V_{IN} = \pm 4$ -VREF mode
- $R_{SER} = 200$   $\Omega$  is the input resistor value
- and  $R_{SW} = 130$   $\Omega$  is the switch resistance value (2)

With a minimum acquisition time of  $t_{ACQ} = 280$  ns, the maximum source impedance must be less than 2.7 k $\Omega$  for the ADS8528, 2.3 k $\Omega$  for the ADS8548, and 2.0 k $\Omega$  for the ADS8568 in  $\pm 4$ V-REF mode, or less than 1.2 k $\Omega$  for the ADS8528, 1.0 k $\Omega$  for the ADS8548, and 0.8 k $\Omega$  for the ADS8568 in  $\pm 2$ -VREF mode. The source impedance can be higher if the application allows a longer acquisition time.

#### 9.3.1.2 Analog-to-Digital Converter (ADC)

The device includes eight ADCs that operate with either an internal or an external conversion clock.

## Feature Description (continued)

### 9.3.1.3 Conversion Clock

The device uses either an internally-generated (CCLK) or an external (XCLK) conversion clock signal (in software mode only). In default mode, the device generates an internal clock. In this case, a complete conversion including the pre-charging of the sample capacitors takes 19 to 20 clock cycles, depending on the setup time of the incoming CONVST\_x signal with relation to the CCLK rising edge.

When the CLKSEL bit is set high (CONFIG bit C29), an external conversion clock can be applied on pin 34. A complete conversion process requires 19 clock cycles in this case if the  $t_{SCVX}$  timing requirement is fulfilled. The external clock can remain low between conversions.

If the application requires lowest power dissipation at low data rates, using the auto-sleep mode activated with pin 36 (ASLEEP) is recommended. In this case, a conversion cycle takes up to 26 clock cycles (see the [Reset and Power-Down Modes](#) section for more details).

### 9.3.1.4 CONVST\_x

The analog inputs of each channel pair (CH\_x0, CH\_x1) are held with the rising edge of the corresponding CONVST\_x signal. The conversion automatically starts with the next rising edge of the conversion clock. CONVST\_A is a master conversion start that resets the internal state machine and causes the data output to start with the result of channel A0. In cases where channel pairs of the device are used at different data rates, CONVST\_A must always be the one used at the highest frequency.

A conversion start must not be issued during an ongoing conversion on the corresponding channel pair. However, conversions are allowed to be initiated on other input pairs; see the [Sequential Operation](#) section for more details.

If a parallel interface is used, the content of the output port depends on which CONVST\_x signals are issued. [Figure 36](#) shows examples of different scenarios with all channel pairs active.

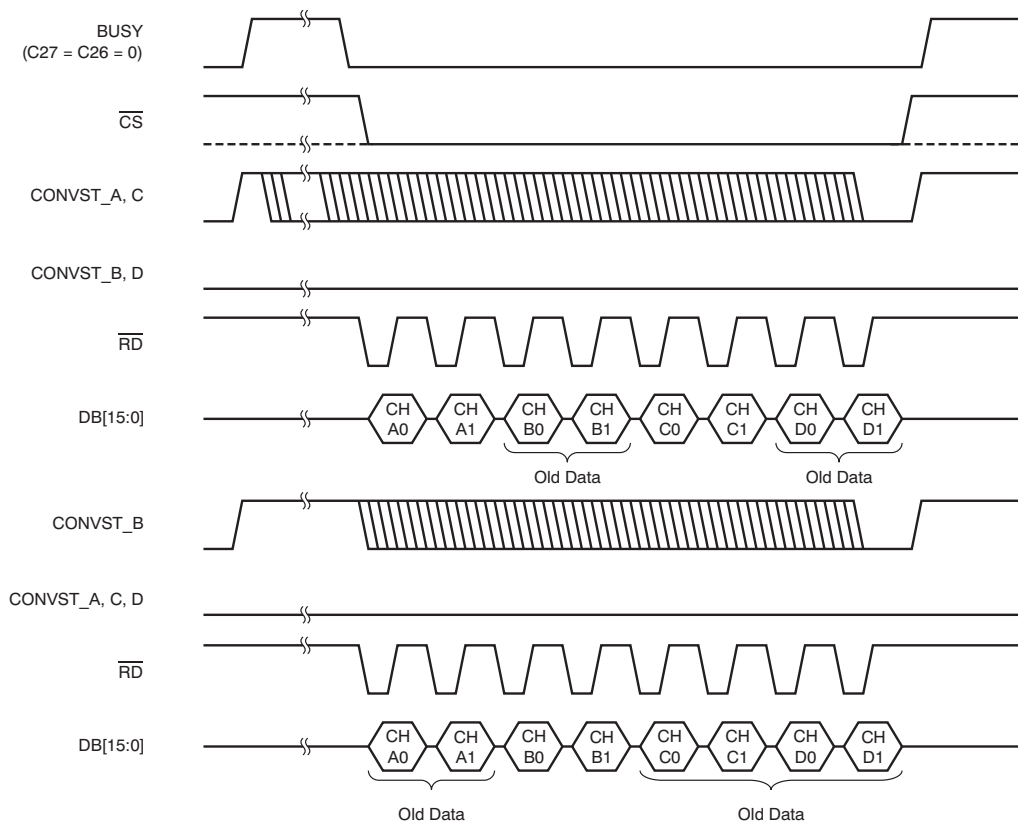


Figure 36. Data Output versus CONVST\_x (All Channels Active)

## Feature Description (continued)

### 9.3.1.5 Data Readout and BUSY/INT Signal

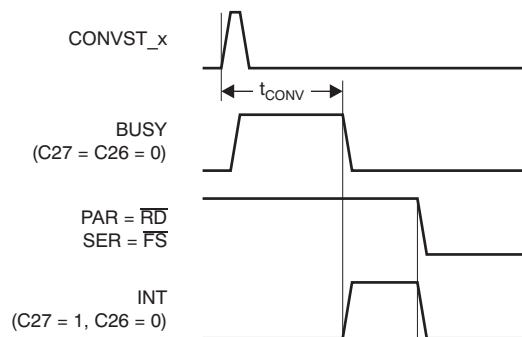
The BUSY signal indicates if a conversion is in progress. The BUSY signal goes high with a rising edge of any CONVST\_x signal and returns low again when the last channel pair completes the conversion cycle.

When operating the device with an external clock (CONFIG bit 29, CLKSEL = 1), data readout can be initiated immediately after the falling edge of the BUSY signal or after 19 complete conversion clock cycles (XCLK), respectively.

When using the device with an internal conversion clock (CONFIG bit 29, CLKSEL = 0), data can be retrieved after  $t_{\text{CONV(max)}}$  independently from the BUSY signal. In case the data readout is referred to the falling edge of the BUSY signal, the readout sequence cannot start before  $t_{\text{BUFS/BUCS}}$  after the falling edge, corresponding to 1 CCLK cycle (for example, 86 ns for the ADS8568).

In contrast, the INT signal goes high when a new conversion result is loaded in the output register (which occurs when the conversion completes) and remains high until the next read access, as shown in [Figure 37](#).

The polarity of the BUSY/INT signal can be changed using CONFIG bit C26. The mode of pin 35 can be controlled using CONFIG bit C27.

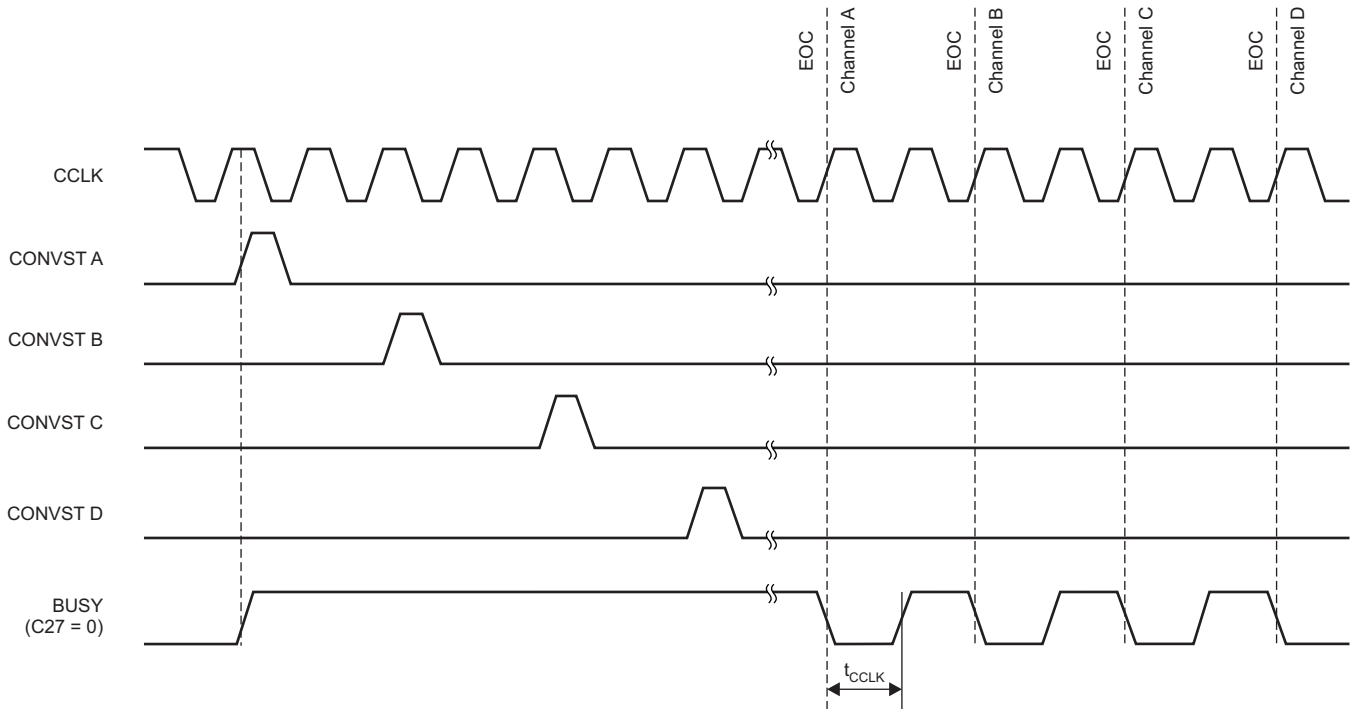


**Figure 37. BUSY versus INT Behavior of Pin 35**

## Feature Description (continued)

### 9.3.1.6 Sequential Operation

The four channel pairs of the ADS8528, ADS8548, and ADS8568 can run in sequential mode, with the corresponding CONVST\_x signals interleaved. In this case, the BUSY output transitions low for a single conversion clock cycle ( $t_{\text{CCLK}}$ ) whenever a channel pair completes a conversion. BUSY finally remains low when the conversion of the last channel pair completes. Figure 38 shows the behavior of the BUSY output in this mode.



NOTE: EOC = end of conversion (internal signal).

**Figure 38. Sequential Operation Timing Diagram**

For best performance, operation with an external clock is recommended (CONFIG bit 29, CLKSEL = 1). Initiate each conversion start during the high phase of the external clock; see Figure 40.

The time between two CONVST\_x pulses must be at least one conversion clock cycle. In case the skew of the CONVST\_x signals is less than one conversion clock cycle, the data readout cannot be started before  $t_{\text{CCLK}}$  after the falling edge of the BUSY signal.

### 9.3.1.7 Reference

The ADS85x8 provides an internal, low-drift, 2.5-V reference source. To increase the input voltage range, the reference voltage can be switched to 3-V mode using the VREF bit (CONFIG bit C13). The reference feeds a 10-bit string-DAC controlled by the REFDAC[9:0] bits in the Configuration (CONFIG) register. The buffered DAC output is connected to the REFIO pin. In this way, the voltage at this pin is programmable in 2.44-mV steps (2.92 mV in 3-V mode) and adjustable to the applications needs without additional external components. The actual output voltage can be calculated using Equation 3:

$$V_{\text{REF}} = \frac{\text{Range} \times (\text{Code} + 1)}{1024}$$

where

- Range = the chosen maximum reference voltage output range (2.5 V or 3 V)
- Code = the decimal value of the DAC register content

(3)

## Feature Description (continued)

**Table 1** lists some examples of internal reference DAC settings with a reference range set to 2.5 V. However, to ensure proper performance, the DAC output voltage must not be programmed below 0.5 V.

Decouple the buffered output of the DAC with a 100-nF capacitor (minimum); for best performance, a 470-nF capacitor is recommended. If the internal reference is placed into power-down (default), an external reference voltage can drive the REFIO pin.

**Table 1. DAC Settings Examples (2.5-V Operation)**

VREFOUT	DECIMAL CODE	BINARY CODE	HEXADECIMAL CODE
0.5 V	204	00 1100 1100	CCh
1.25 V	511	01 1111 1111	1FFh
2.5 V	1023	11 1111 1111	3FFh

The voltage at the REFIO pin is buffered with four internal amplifiers, one for each ADC pair. The output of each buffer must be decoupled with a 10-μF capacitor between the pin pairs of 3 and 6, 43 and 46, 50 and 53, and 60 and 63. The 10-μF capacitors are available as ceramic 0805-SMD components and in X5R quality.

The internal reference buffers can be powered down to decrease the power dissipation of the device. In this case, external reference drivers can be connected to the REFAP, REFBP, REFCP, and REFDP pins. With 10-μF decoupling capacitors, the minimum required bandwidth can be calculated using [Equation 4](#):

$$f_{3dB} = \frac{\ln(2)}{2\pi t_{CONV}} \quad (4)$$

With the minimum  $t_{CONV}$  of 1.33 μs, the external reference buffers require a minimum bandwidth of 83 kHz.

### 9.3.2 Digital

This section describes the digital control and the timing of the device in detail.

#### 9.3.2.1 Device Configuration

Depending on the desired mode of operation, the ADS85x8 can be configured using the external pins or the Configuration register (CONFIG), as shown in [Table 2](#).

**Table 2. ADS85x8 Configuration Settings**

INTERFACE MODE	HARDWARE MODE ( $\overline{HW}/SW = 0$ )	SOFTWARE MODE ( $\overline{HW}/SW = 1$ )
Parallel ( $\overline{PAR}/SER = 0$ )	Configuration using pins and (optionally) Configuration register bits C30, C29, C[27:26], C22, C20, C18, C14, C13, and C[9:0]	Configuration using Configuration register bits C[31:0] only; status of pins 9, 11, 20, and 34 are disregarded (if C29 = C28 = 0)
Serial ( $\overline{PAR}/SER = 1$ )	Configuration using pins and (optionally) Configuration register bits C30, C29, C[27:26], C22, C20, C18, C13, and C[9:0]	Configuration using Configuration register bits C[31:0] only; status of pins 9, 11, 20, and 34 are disregarded (if C29 = C28 = 0)



### 9.3.2.2 Parallel Interface

To use the device with the parallel interface, hold the  $\overline{\text{PAR/SER}}$  pin low. The maximum achievable data throughput rate is 650 kSPS for the ADS8528, 600 kSPS for the ADS8548, and 510 kSPS for the ADS8568 in this case.

Access to the ADS85x8 is controlled as illustrated in [Figure 2](#) and [Figure 3](#).

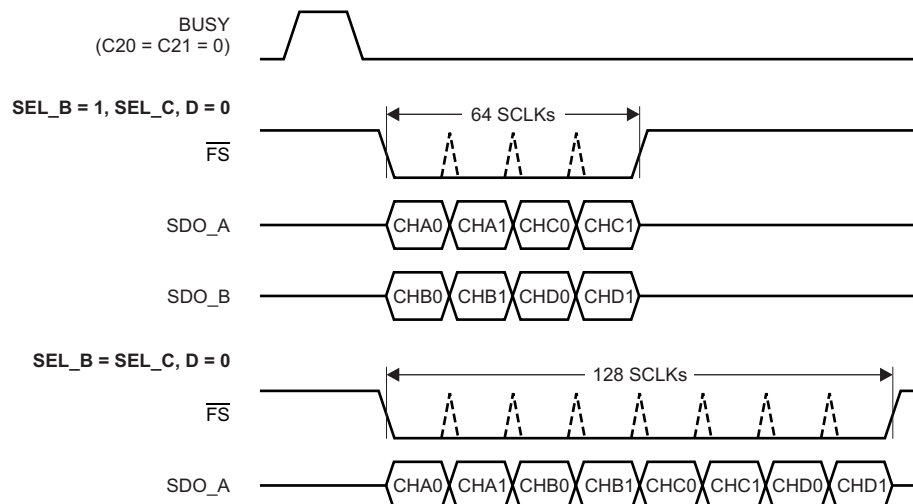
### 9.3.2.3 Serial Interface

The serial interface mode is selected by setting the  $\overline{\text{PAR/SER}}$  pin high. In this case, each data transfer starts with the falling edge of the frame synchronization input ( $\overline{\text{FS}}$ ). The conversion results are presented on the serial data output pins SDO\_A (always active), SDO\_B, SDO\_C, and SDO\_D, depending on the selections made using the SEL\_xx pins. Starting with the most significant bit (MSB), the output data are changed with the SCLK falling edge. The ADS8528 and ADS8548 output data maintain the LSB-aligned, 16-bit format with leading bits containing the extended sign (see [Table 3](#)). Serial data input SDI are latched with the SCLK falling edge.

The serial interface can be used with one, two, or four output ports. Port SDO\_B can be enabled using pin 27 (SEL\_B) and ports SDO\_C and SDO\_D are enabled using pin 28 (SEL\_CD). If all four serial data output ports are selected, data can be read with either two 16-bit data transfers or with a single 32-bit data transfer. The data of channels CH\_x0 are available first, followed by data from channels CH\_x1. The maximum achievable data throughput rate is 480 kSPS for the ADS8528, 450 kSPS for the ADS8548, and 400 kSPS for the ADS8568 in this case.

If the application allows a data transfer using two ports only, the SDO\_A and SDO\_B outputs are used. The device outputs data from channel CH\_A0 followed by CH\_A1, CH\_C0, and CH\_C1 on SDO\_A; data from channel CH\_B0 followed by CH\_B1, CH\_D0, and CH\_D1 occur on SDO\_B. In this case, a data transfer of four 16-bit words, two 32-bit words, or one continuous 64-bit word is supported. The maximum achievable data throughput rate is 360 kSPS for the ADS8528, 345 kSPS for the ADS8548, and 315 kSPS for the ADS8568 in this case.

The output SDO\_A is always active and exclusively used if only one serial data port is used in the application. Data are available in the following order: CH\_A0, CH\_A1, CH\_B0, CH\_B1, CH\_C0, CH\_C1, CH\_D0, and CH\_D1. Data can be read using eight 16-bit transfers, four 32-bit transfers, two 64-bit transfers, or a single 128-bit transfer. The maximum achievable data throughput rate is 235 kSPS for the ADS8528, 230 kSPS for the ADS8548 and 215 kSPS for the ADS8568 in this case. [Figure 1](#) and [Figure 39](#) illustrate all possible scenarios in more detail.



**Figure 39. Data Output with One or Two Active SDOs (All Input Channels Active and Converted)**

### 9.3.2.4 Output Data Format

The data output format of the ADS85x8 is binary two's complement, as shown in Table 3. For the ADS8528 and ADS8548 (that deliver 12-bit or 14-bit conversion results, respectively), the leading bits of either the 16-bit frame (serial interface) or the output pins (DB[15:12] for the ADS8528 or DB[15:14] for the ADS8548 in parallel mode) deliver a sign extension.

**Table 3. Output Data Format**

DESCRIPTION	INPUT VOLTAGE VALUE	BINARY CODE HEXADECIMAL CODE		
		ADS8528	ADSS8548	ADS8568
Positive full-scale	4 VREF or 2 VREF	0000 0111 1111 1111 07FFh	0001 1111 1111 1111 1FFFh	0111 1111 1111 1111 7FFFh
Midscale 0.5 LSB	VREF / (2 x resolution)	0000 0000 0000 0000 0000h	0000 0000 0000 0000 0000h	0000 0000 0000 0000 0000h
Midscale -0.5 LSB	-VREF / (2 x resolution)	1111 1111 1111 1111 FFFFh	1111 1111 1111 1111 FFFFh	1111 1111 1111 1111 FFFFh
Negative full-scale	-4 VREF or -2 VREF	1111 1000 0000 0000 F800h	1110 0000 0000 0000 E000h	1000 0000 0000 0000 8000h

## 9.4 Device Functional Modes

### 9.4.1 Hardware Mode

With the  $\overline{\text{HW}}/\text{SW}$  input (pin 41) set low, the device functions are controlled via the pins and, optionally, Configuration register bits C30, C29, C[27:26], C22, C20, C18, C14 (in parallel interface mode only), C13, and C[9:0].

The device can generally be used in hardware mode but can be switched to software mode to initialize or adjust the Configuration register settings (for example, the internal reference DAC) and back to hardware mode thereafter.

### 9.4.2 Software Mode

When the  $\overline{\text{HW}}/\text{SW}$  input is set high, the device operates in software mode with functionality set only by the Configuration register bits (corresponding pin settings are ignored).

If the parallel interface is used, an update of all Configuration register settings is performed by issuing two 16-bit write accesses on pins DB[15:0] (to avoid losing data, the entire sequence must be finished before starting a new conversion). Do not hold CS low during these two accesses. To enable the actual update of the register settings, the first bit (C31) must be set to 1 during the access.

If the serial interface is used, the update of the register contents can be performed continuously (combined read/write access). Optionally, to reduce the data transfer on the SDI line and the electromagnetic interference (EMI) of the system, the SDI input can be pulled low when a register update is not required. Figure 40 illustrates the different Configuration register update options.

Device Functional Modes (continued)

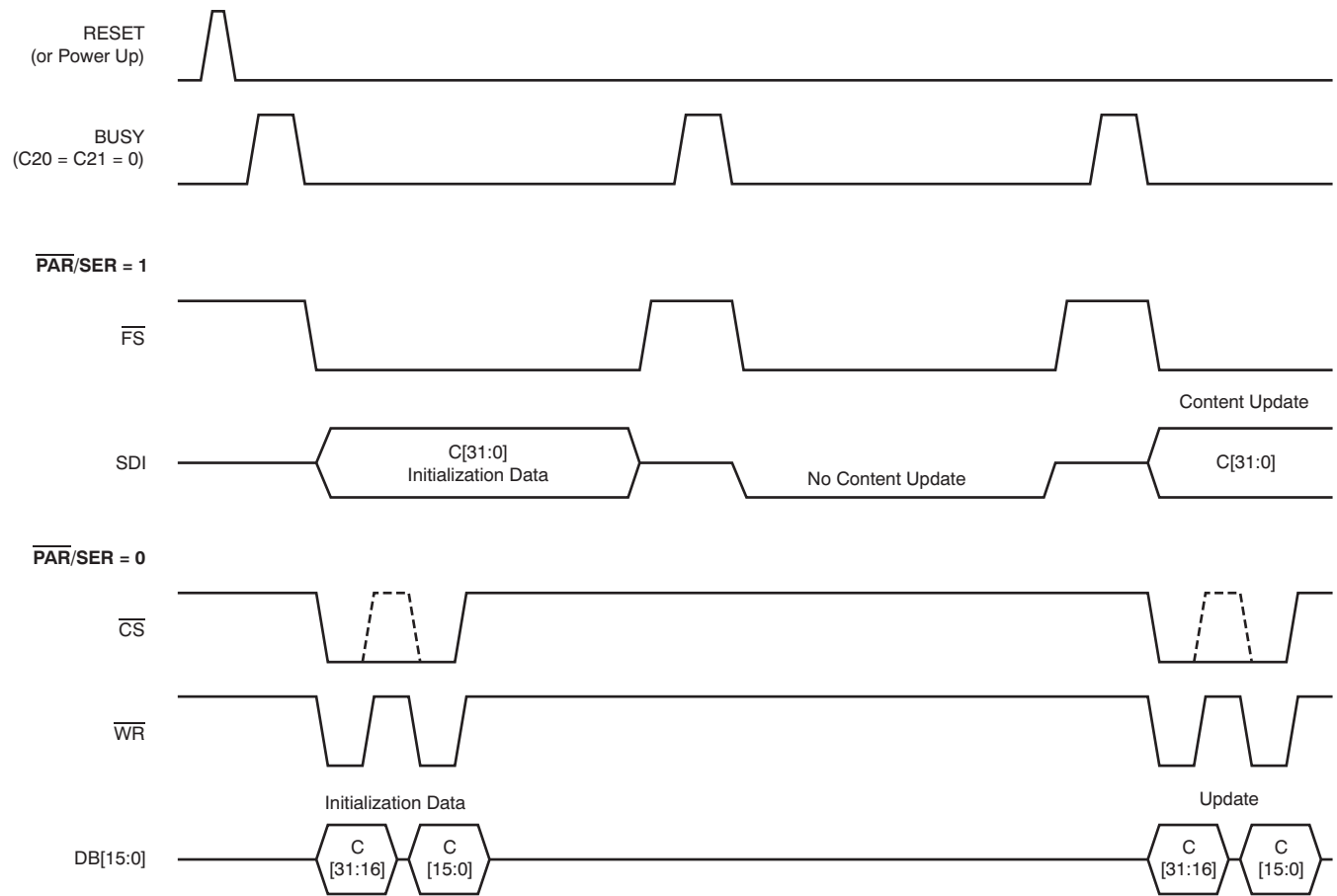


Figure 40. Configuration Register Update Options

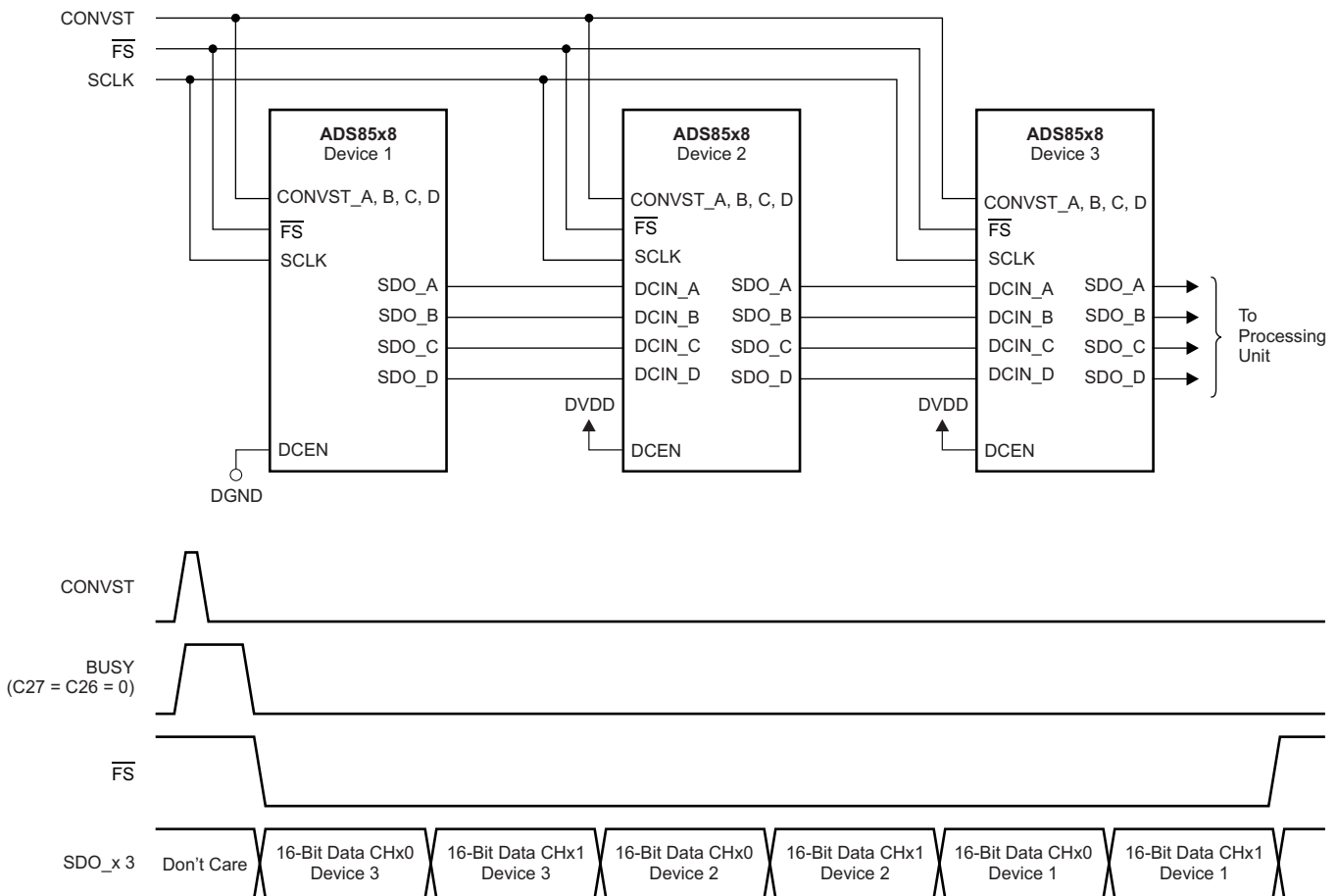
## Device Functional Modes (continued)

### 9.4.3 Daisy-Chain Mode

The serial interface of the ADS85x8 supports a daisy-chain feature that allows cascading of multiple devices to minimize the board space requirements and simplify routing of the data and control lines. In this case, the DB3/DCIN\_A, DB2/DCIN\_B, DB1/DCIN\_C, and DB0/DCIN\_D pins are used as serial data inputs for channels A, B, C, and D, respectively. Figure 41 shows an example of a daisy-chain connection of three devices sharing a common CONVST line to allow simultaneous sampling of 24 analog channels along with the corresponding timing diagram.

To activate the daisy-chain mode, the DCEN pin must be pulled high. However, the DCEN of the first device in the chain must remain low.

In applications where not all channel pairs are used, declaring the device with disabled channel pairs to be the first in the daisy-chain is recommended.



**Figure 41. Example of Daisy-Chaining Three Devices**

### 9.4.4 Reset and Power-Down Modes

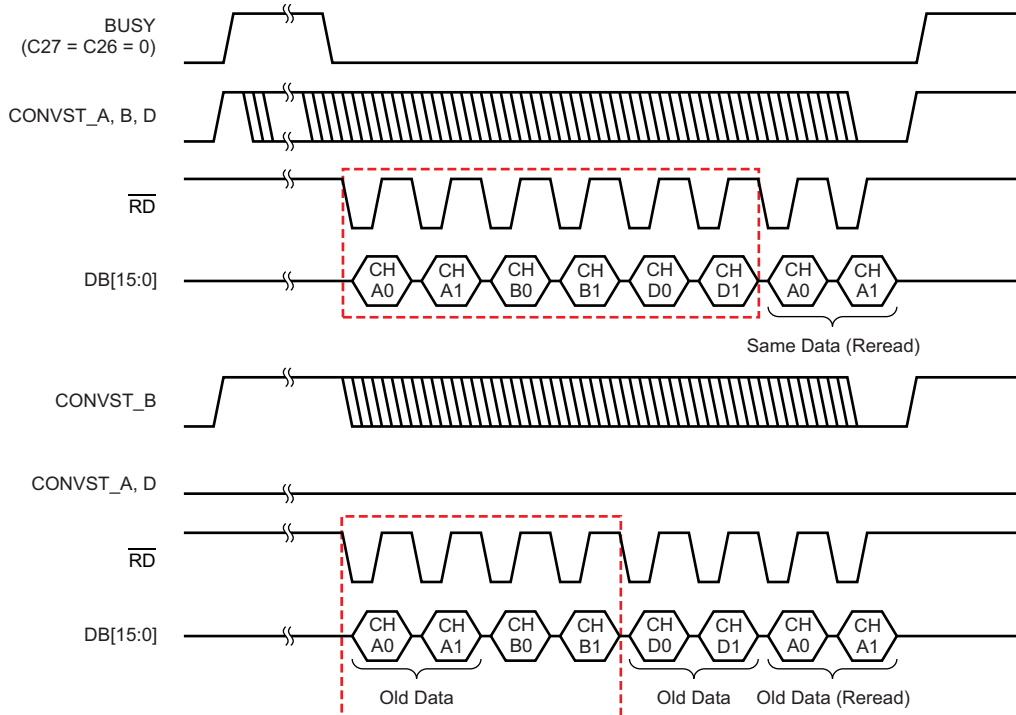
The device supports two reset mechanisms: a power-on reset (POR) and a pin-controlled reset (RESET) that can be issued using pin 10. Both the POR and RESET function as a master reset that causes any ongoing conversion to be interrupted, the Configuration register content to be set to the default value, and all channels to be switched into sample mode.

When the device is powered up, POR sets the device in default mode when AVDD reaches 1.2 V. In normal operation, glitches on the AVDD supply below this threshold trigger a device reset.

## Device Functional Modes (continued)

The entire device, except for the digital interface, can be powered down by pulling the  $\overline{\text{STBY}}$  pin low (pin 9). Data can be retrieved when in standby mode because the digital interface section remains active. To power the device on again, the  $\overline{\text{STBY}}$  pin must be brought high. The device is ready to start a new conversion after the 10 ms required to activate and settle the internal circuitry. This user-controlled approach can be used in applications that require lower data throughput rates at lowest power dissipation. The content of CONFIG is not changed during standby mode and is not required to perform a reset after returning to normal operation.

Although standby mode affects the entire device, each device channel pair (except channel pair A, which is the master channel pair and is always active) can also be individually switched off by setting the Configuration register bits C22, C20, and C18 (PD\_x). If a certain channel pair is powered-down in this manner, the output register is disabled as shown in Figure 42. When reactivated, the relevant channel pair requires 10 ms to fully settle before starting a new conversion.



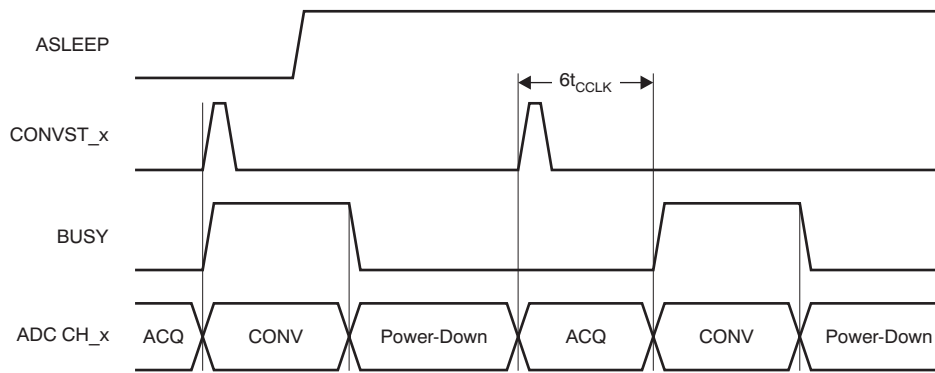
(1) Channel pair C disabled (PD\_C = 1),  $\overline{\text{CS}} = 0$ .

NOTE: Boxed areas indicate the minimum required frame to acquire all new conversion results. The read access can be interrupted, thereafter.

**Figure 42. Example of Data Output Order With Channel Pair C Powered Down<sup>(1)</sup>**

## Device Functional Modes (continued)

Auto-sleep mode is enabled by pulling pin 36 (ASLEEP) high. If auto-sleep mode is enabled, the ADS85x8 automatically reduce the current requirement to 7 mA (IAVDD) after finishing a conversion; thus, the end of conversion actually activates this power-down mode. Triggering a new conversion by applying a positive CONVST\_x edge starts the wake-up sequence to put the device back into normal operation. At the beginning, all required building blocks power-up and the sampling switches close again. This sequence takes six to seven conversion clock cycles of either the internal or external clock. During this time, the sampling capacitance must be recharged to the input signal with the required 12-bit, 14-bit, or 16-bit accuracy level. The bandwidth requirements of the driving operational amplifier described in the [Analog Inputs](#) section must be fulfilled. At the end of the sequence, the new sample is taken and the conversion starts automatically, as shown in [Figure 43](#). Therefore, a complete conversion process takes 25 to 26 conversion clock cycles; thus, the maximum throughput rate in auto-sleep mode is reduced to a maximum of 400 kSPS for the ADS8528, 375 kSPS for the ADS8548, and 330 kSPS for the ADS8568 in serial interface mode. In parallel mode, the maximum data rates are 510 kSPS for the ADS8528, 470 kSPS for the ADS8548, and 400 kSPS for the ADS8568. If enabled, the internal reference remains active during auto-sleep mode. [Table 4](#) compares the analog current requirements of the device in different modes.



**Figure 43. Auto-Sleep Power-Down Mode**

**Table 4. Maximum Analog Current (IAVDD) Demand of the ADS85x8**

OPERATIONAL MODE	ANALOG CURRENT (IAVDD)	ENABLED, DISABLED BY	ACTIVATED BY	NORMAL OPERATION TO POWER-DOWN DELAY	RESUMED BY	POWER-UP TO NORMAL OPERATION DELAY	POWER-UP TO NEXT CONVERSION START TIME
Normal operation	12.5 mA/ch pair at maximum data rate	Power on Power off	CONVST_x	—	—	—	—
Auto-sleep	1.75 mA/ch pair	ASLEEP = 1 ASLEEP = 0	Each end of conversion	At BUSY falling edge	CONVST_x	Immediate	$7 \times t_{\text{CLK max}}$
Power-down of channel pair X	16 $\mu\text{A}$ (channel pair X)	$\overline{\text{HW/SW}} = 1$ $\overline{\text{HW/SW}} = 0$	PD_x = 1 (CONFIG bit)	Immediate	PD_x = 0 (CONFIG bit)	Immediate after completing CONFIG update	10 ms
Power-down (entire device)	30 $\mu\text{A}$	Power on Power off	$\overline{\text{STBY}} = 0$	Immediate	$\overline{\text{STBY}} = 1$	Immediate	10 ms

## 9.5 Register Maps

### 9.5.1 Configuration (CONFIG) Register

The Configuration register settings can only be changed in software mode and are not affected when switching to hardware mode thereafter. The register values are independent from input pin settings. Changes are active with the second  $\overline{WR}$  rising edge in parallel interface mode or with the 32nd SCLK falling edge of the access where the register content is updated in serial mode. The CONFIG content is defined in [CONFIG: Configuration Register \(default = 000003FFh\)](#).

#### 9.5.1.1 CONFIG: Configuration Register (default = 000003FFh)

**Figure 44. CONFIG Register**

31	30	29	28	27	26	25	24
WRITE_EN	READ_EN	CLKSEL	CLKOUT	BUSY/INT	BUSY_POL	STBY	RANGE_A
23	22	21	20	19	18	17	16
RANGE_B	PD_B	RANGE_C	PD_C	RANGE_D	PD_D	Don't care	Don't care
15	14	13	12	11	10	9	8
REFEN	REFBUF	VREF	Don't care	Don't care	Don't care	D9	D8
7	6	5	4	3	2	1	0
D7	D6	D5	D4	D3	D2	D1	D0

#### Bit 31 **WRITE\_EN: Register update enable**

This bit is not active in hardware mode.  
0 = Register content update disabled (default)  
1 = Register content update enabled

#### Bit 30 **READ\_EN: Register read-out access enable**

This bit is not active in hardware mode.  
0 = Normal operation (conversion results available on SDO\_A)  
1 = Configuration register contents output on SDO\_A with next two accesses (READ\_EN automatically resets to 0 thereafter)

#### Bit 29 **CLKSEL: Conversion clock selector**

This bit is active in hardware mode.  
0 = Normal operation with internal conversion clock; mandatory in hardware mode (default)  
1 = External conversion clock applied through pin 34 (XCLK) is used (conversion takes 19 clock cycles)

#### Bit 28 **CLKOUT: Internal conversion clock output enable**

This bit is not active in hardware mode.  
0 = Normal operation (default)  
1 = Internal conversion clock is available at pin 34

#### Bit 27 **BUSY/INT: Busy/interrupt selector**

This bit is active in hardware mode.  
0 = BUSY/INT pin is in BUSY mode (default)  
1 = BUSY/INT pin is in interrupt mode (INT); can only be used if all eight channels are sampled simultaneously (all CONVST\_x tied together)

#### Bit 26 **BUSY\_POL: BUSY/INT polarity selector**

This bit is active in hardware mode.  
0 = BUSY/INT active high (default)  
1 = BUSY/INT active low

- Bit 25**             **$\overline{\text{STBY}}$ : Power-down enable**  
 This bit is not active in hardware mode.  
 0 = Normal operation (default)  
 1 = Entire device is powered down (including the internal clock and reference)
- Bit 24**            **RANGE\_A: Input voltage range selector for channel pair A**  
 This bit is not active in hardware mode.  
 0 = Input voltage range: 4 VREF (default)  
 1 = Input voltage range: 2 VREF
- Bit 23**            **RANGE\_B: Input voltage range selector for channel pair B**  
 This bit is not active in hardware mode.  
 0 = Input voltage range: 4 VREF (default)  
 1 = Input voltage range: 2 VREF
- Bit 22**            **PD\_B: Power-down enable for channel pair B**  
 This bit is active in hardware mode.  
 0 = Normal operation (default)  
 1 = Channel pair B is powered down
- Bit 21**            **RANGE\_C: Input voltage range selector for channel pair C**  
 This bit is not active in hardware mode.  
 0 = Input voltage range: 4 VREF (default)  
 1 = Input voltage range: 2 VREF
- Bit 20**            **PD\_C: Power-down enable for channel pair C**  
 This bit is active in hardware mode.  
 0 = Normal operation (default)  
 1 = Channel pair C is powered down
- Bit 19**            **RANGE\_D: Input voltage range selector for channel pair D**  
 This bit is not active in hardware mode.  
 0 = Input voltage range: 4 VREF (default)  
 1 = Input voltage range: 2 VREF
- Bit 18**            **PD\_D: Power-down enable for channel pair D**  
 This bit is active in hardware mode.  
 0 = Normal operation (default)  
 1 = Channel pair D is powered down
- Bits 17-16**        **Not used (default = 0)**
- Bit 15**            **REF\_EN: Internal reference enable**  
 This bit is not active in hardware mode.  
 0 = Internal reference source disabled (default)  
 1 = Internal reference source enabled
- Bit 14**            **REFBUF: Internal reference buffers disable**  
 This bit is active in hardware mode if the parallel interface is used.  
 0 = Internal reference buffers enabled (default)  
 1 = Internal reference buffers disabled
- Bit 13**            **VREF: Internal reference voltage selector**  
 This bit is active in hardware mode.  
 0 = Internal reference voltage set to 2.5 V (default)  
 1 = Internal reference voltage set to 3.0 V
- Bits 12-10**        **Not used (default = 0)**



**Bits 9-0****D[9:0]: REFDAC setting bits**

These bits are active in hardware mode.

These bits correspond to the settings of the internal reference DACs (compare to the [Reference](#) section). Bit 9 is the MSB of the DAC. Default value is 3FFh (2.5 V, typ).

## 10 Application and Implementation

---

### NOTE

Information in the following applications sections is not part of the TI component specification, and TI does not warrant its accuracy or completeness. TI's customers are responsible for determining suitability of components for their purposes. Customers should validate and test their design implementation to confirm system functionality.

---

### 10.1 Application Information

The ADS85x8 enables high-precision measurement of up to eight analog signals simultaneously. The [Typical Application](#) section summarizes some of the typical use cases for the ADS85x8 and the main steps and components used around the analog-to-digital converter (ADC).

### 10.2 Typical Application

The accurate measurement of electrical variables in a power grid is extremely critical because this measurement helps determine the operating status and running quality of the grid. Such accurate measurements also help diagnose problems with the power network, thereby enabling prompt solutions and minimizing down time. The key electrical variables measured in 3-phase power systems are the three line voltages, the neutral voltage at the load, the three line currents, and the neutral return current; see [Figure 45](#). These variables enable metrology and power automation systems to determine the amplitude, frequency, and phase information in order to perform harmonic analysis, power factor calculations, and power quality assessment, among others.

Typical Application (continued)

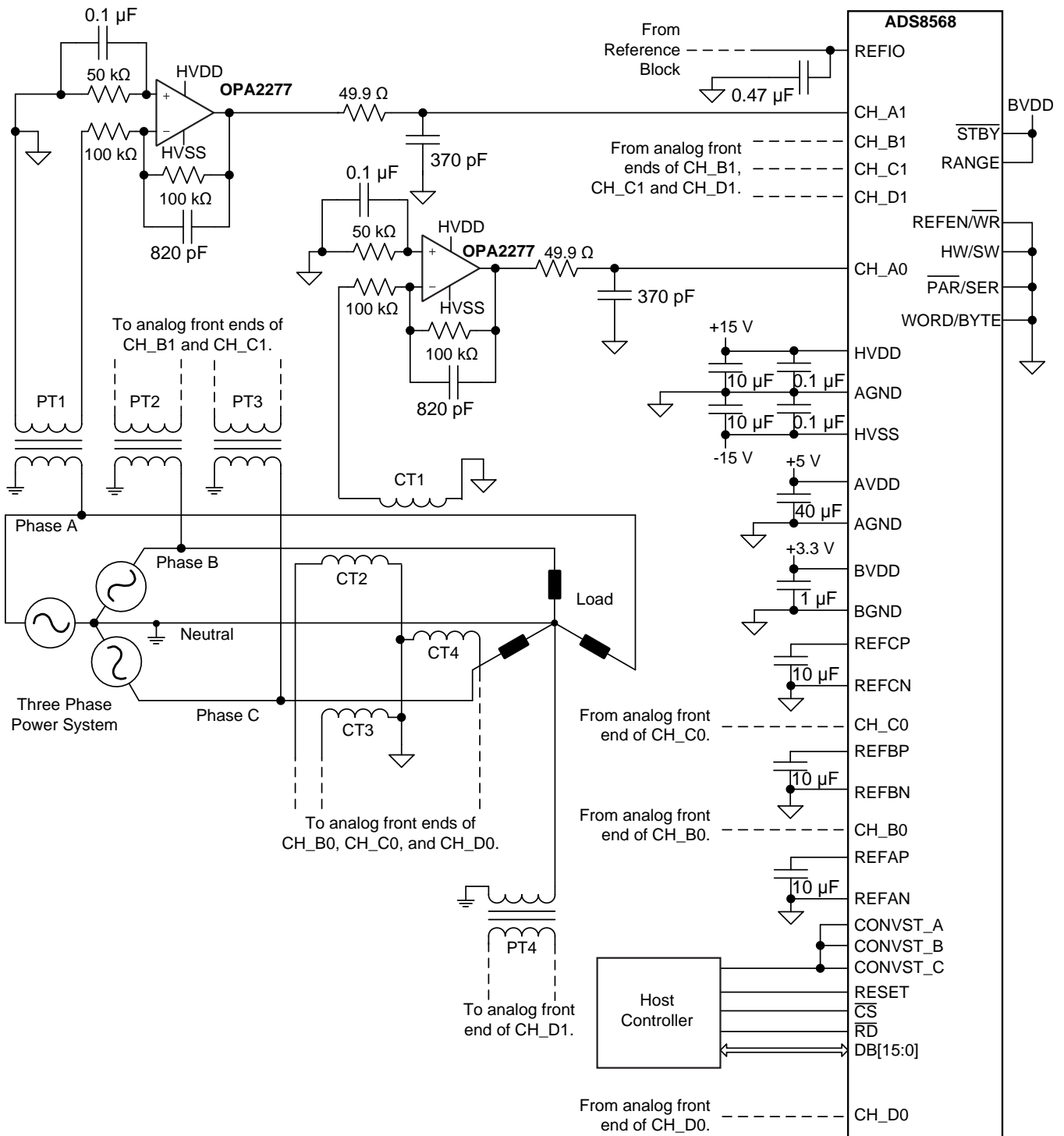


Figure 45. Simultaneous Acquisition of Voltage and Current in a 3-Phase Power System

## Typical Application (continued)

### 10.2.1 Design Requirements

To begin the design process, a few parameters must be decided upon. The designer must know the following:

- Output range of the potential transformers (elements labeled PT1, PT2, and PT3 in Figure 45)
- Output range of the current transformers (elements labeled CT1, CT2, and CT3 in Figure 45)
- Input impedance required from the analog front-end for each channel
- Fundamental frequency of the power system
- Number of harmonics that must be acquired, and
- Type of signal conditioning required from the analog front-end for each channel

### 10.2.2 Detailed Design Procedure

Figure 46 shows the topology chosen to meet the design requirements.

#### NOTE

A feedback capacitor  $C_F$  is included in order to provide a low-pass filter characteristic and attenuate signals outside the band of interest.

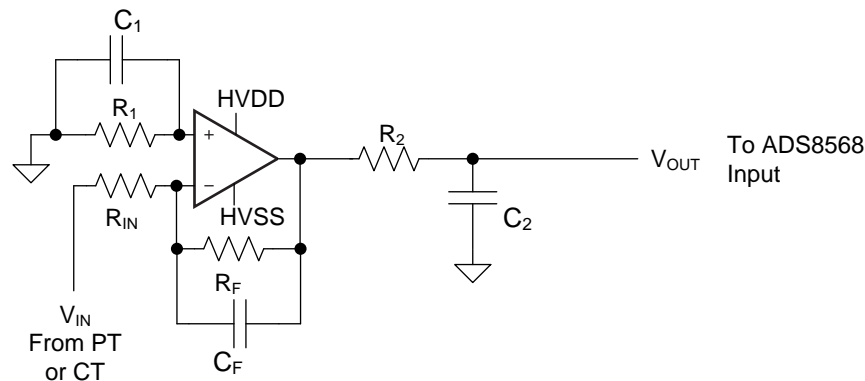


Figure 46. Op Amp in an Inverting Configuration

The potential transformers and current transformers used in the system depicted in Figure 45 provide the eight inputs required. These transformers have a  $\pm 10$ -V output range. Although the PT and CT elements provide isolation from the power system, the value of  $R_{IN}$  is selected as 100 k $\Omega$  in order to provide an additional, high-impedance safety element in the current path leading up to the input of the ADC. Moreover, selecting a low-frequency gain of  $-1$  V/V (as shown in Equation 5) provides a  $\pm 10$ -V output that can be fed into the ADS8568; therefore, the value of  $R_F$  is selected as 100 k $\Omega$  too.

$$V_{out} \Big|_{Low\ f} = -\frac{R_F}{R_{IN}} V_{in} = -\frac{100\ k\Omega}{100\ k\Omega} V_{in} = -V_{in} \quad (5)$$

The primary goal of the acquisition system depicted in Figure 45 is to measure up to 20 harmonics in a 60-Hz power network. With this goal in mind, the analog front-end must have sufficient bandwidth to measure signals up to 1260 Hz as shown in Equation 6.

$$f_{MAX} = (20 + 1)60\ Hz = 1260\ Hz \quad (6)$$

Based on the bandwidth from in Equation 6, the ADS8568 is set to simultaneously sample all six channels at 15.36 kSPS, thus providing enough samples to clearly resolve even the highest harmonic required.

The passband of the configuration shown in Figure 46 is determined by the  $-3$ -dB frequency according to Equation 7. The value of  $C_F$  is selected as 820 pF because  $C_F$  is a standard capacitance value available in 0603 size (surface-mount component) and such values, combined with that of  $R_F$ , result in sufficient bandwidth to accommodate the required 20 harmonics (at 60 Hz).

**Typical Application (continued)**

$$f_{-3dB} = \frac{1}{2\pi R_F C_F} = \frac{1}{2\pi (100\text{ k}\Omega)(820\text{ pF})} = 1940\text{ Hz} \quad (7)$$

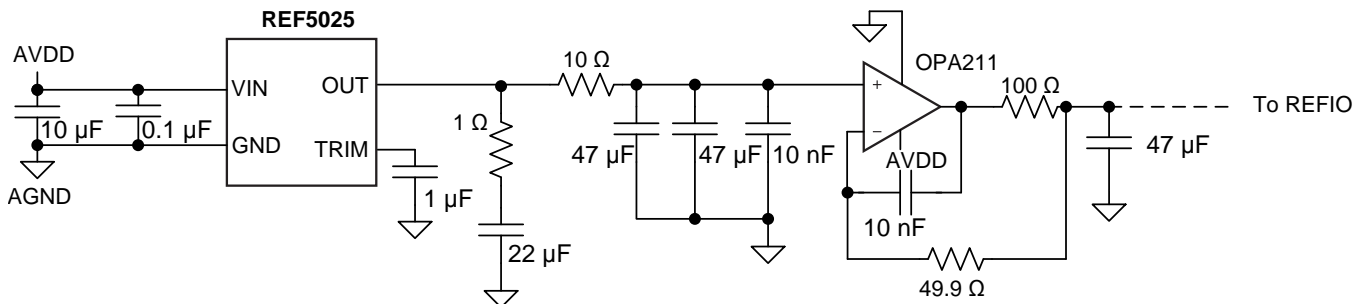
The value of  $R_1$  is selected as the parallel combination of  $R_{IN}$  and  $R_F$  to prevent the input bias current of the operational amplifier from generating an offset error.

The value of component  $C_1$  is chosen as 0.1  $\mu\text{F}$  to provide a low-impedance path for noise signals that can be picked up by  $R_1$ , thus improving the EMI robustness and noise performance of the system.

The [OPA2277](#) is chosen for its low input offset voltage, low drift, bipolar swing, sufficient gain-bandwidth product, and low quiescent current. For additional information on the procedure to select SAR ADC input drivers, see the TIPD151 verified design guide, [16-Bit 100-KSPS 4-Channel Multiplexed Data Acquisition System Design Guide](#).

The charge injection damping circuit is composed by  $R_2$  (49.9  $\Omega$ ) and  $C_2$  (370 pF); these components reject high-frequency noise and meet the settling requirements of the ADS8568 input.

[Figure 47](#) shows the reference block used in this design.



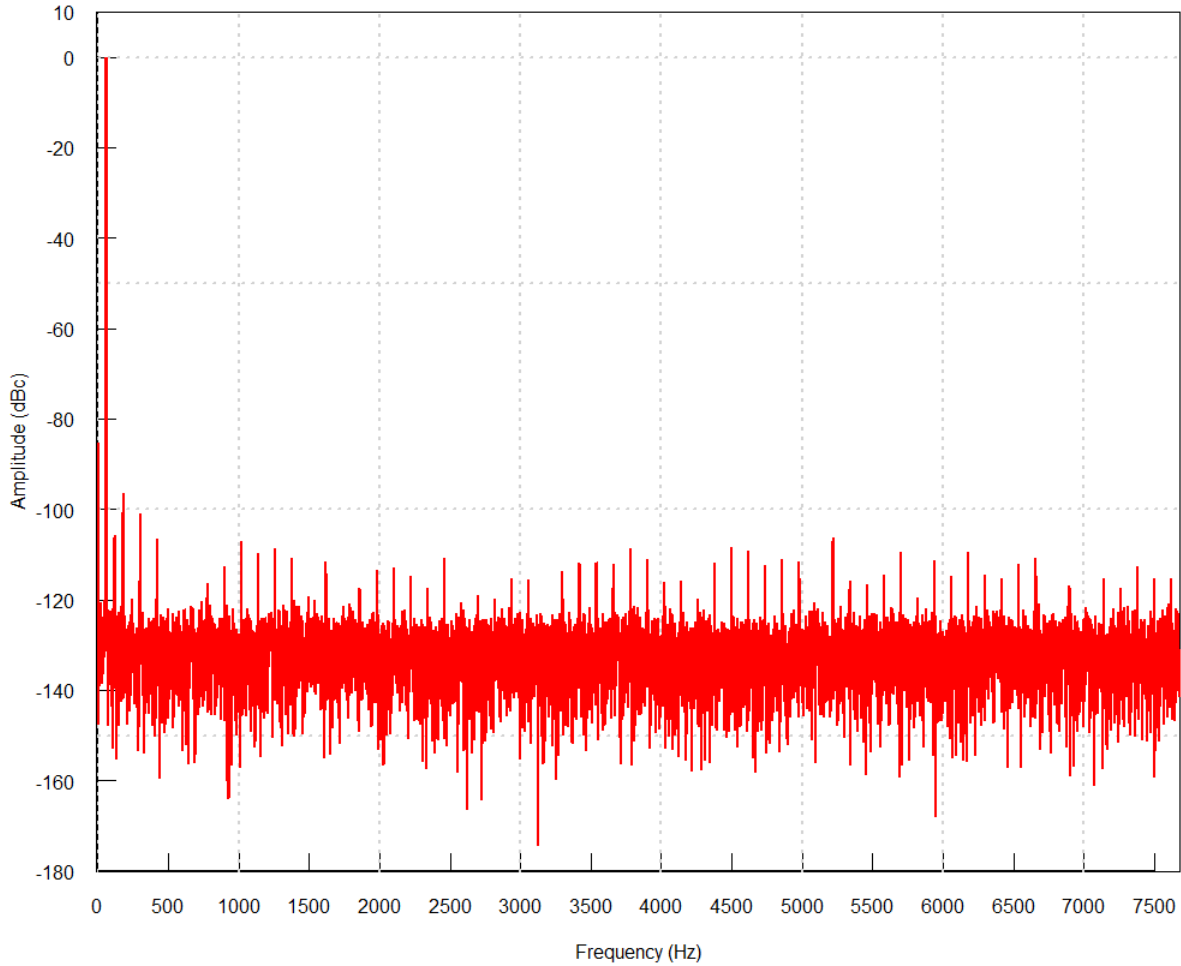
**Figure 47. Reference Block**

For more information on the design of charge injection damping circuits and reference driving circuits for SAR ADCs, see the TIPD149 verified design reference guide, [Power-Optimized 16-Bit 1-MSPS Data Acquisition Block for Lowest Distortion and Noise](#).

**Typical Application (continued)**

**10.2.3 Application Curve**

Figure 48 shows the frequency spectrum of the data acquired by the ADS8568 for a sinusoidal, 20-V<sub>PP</sub> input at 60 Hz.



**Figure 48. Frequency Spectrum for a Sinusoidal 20-V<sub>PP</sub> Signal at 60 Hz**

The ac performance parameters are:

- SNR: 91.16 dB
- THD: -94.34 dB
- SNDR: 89.45 dB
- SFDR: 96.56 dB

## 11 Power Supply Recommendations

The ADS85x8 require four separate supplies: an analog supply for the ADC (AVDD), the buffer I/O supply for the digital interface (DVDD), and the two high-voltage supplies driving the analog input circuitry (HVDD and HVSS). Generally, there are no specific requirements with regard to the power sequencing of the device. However, when HVDD is supplied before AVDD, the internal electrostatic discharge (ESD) structure conducts, increasing the IHVDD beyond the specified value until AVDD is applied.

The AVDD supply provides power to the internal circuitry of the ADC. If run at maximum data rate, the IAVDD is too high to allow use of a passive filter between the digital board supply of the application and the AVDD pins. A linear regulator is recommended to generate the analog supply voltage. Decouple each AVDD pin to AGND with a 100-nF ceramic capacitor. In addition, place a single 10- $\mu$ F capacitor close to the device but without compromising the placement of the smaller capacitors. Optionally, each supply pin can be decoupled using a 1- $\mu$ F ceramic capacitor without the requirement of the additional 10- $\mu$ F capacitor.

The DVDD supply is only used to drive the digital I/O buffers and allows seamless interface with most state-of-the-art processors and controllers. Resulting from the low IDVDD value, a 10- $\Omega$  series resistor can be used on the DVDD pin to reduce the noise energy from the external digital circuitry influencing the performance of the device. Place a 1- $\mu$ F bypass ceramic capacitor (or alternatively, a pair of 100-nF and 10- $\mu$ F capacitors) between pins 24 and 25.

The high-voltage supplies (HVSS and HVDD) are connected to the analog inputs. These supplies are not required to be of symmetrical nature with regard to AGND. Noise and glitches on these supplies directly couple into the input signals. Place a 100-nF ceramic decoupling capacitor, located as close to the device as possible, between pins 1, 48, and AGND. An additional 10- $\mu$ F capacitor is used that must be placed close to the device but without compromising the placement of the smaller capacitors.

## 12 Layout

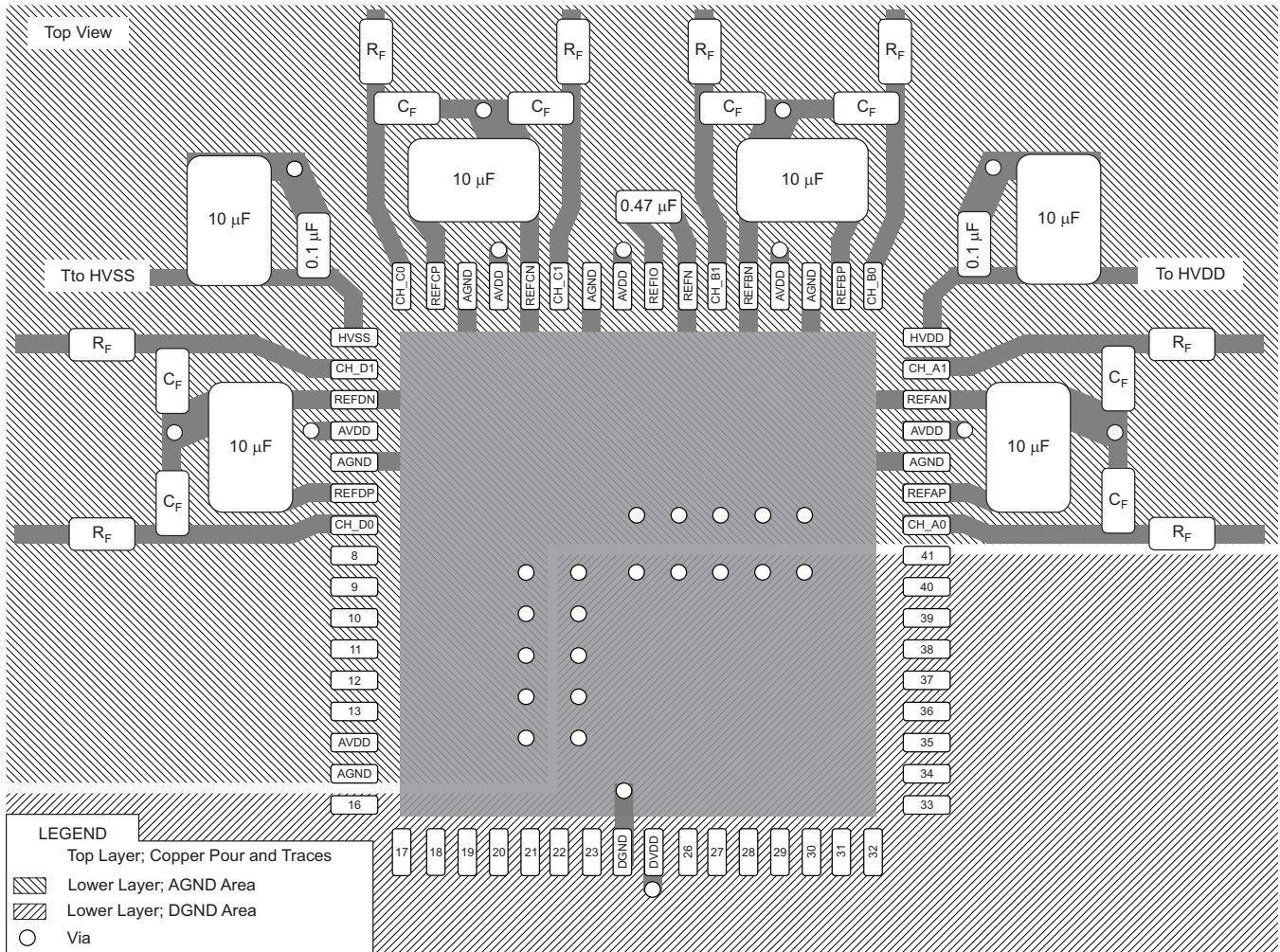
### 12.1 Layout Guidelines

All ground pins must be connected to a clean ground reference. Keep this connection as short as possible to minimize the inductance of these paths. Using vias is recommended to connect the pads directly to the corresponding ground plane. In designs without ground planes, keep the ground trace as wide and as short as possible to reduce inductance. Avoid connections that are too close to the grounding point of a microcontroller or digital signal processor.

Depending on the circuit density on the board, placement of the analog and digital components, and the related current loops, a single solid ground plane for the entire printed circuit board (PCB) or dedicated analog and digital ground areas can be used. In case of separated ground areas, ensure that a low-impedance connection is between the analog and digital ground of the ADC by placing a bridge underneath (or next to) the ADC. Otherwise, even short undershoots on the digital interface with a value less than  $-300$  mV lead to the conduction of ESD diodes, causing current to flow through the substrate and either degrading the analog performance or even damaging the device. Using a common ground plane underneath the device is recommended as a local ground reference for all xGND pins; see [Figure 49](#). During PCB layout, care must be taken to avoid any return currents crossing sensitive analog areas or signals.

## 12.2 Layout Example

Figure 49 shows a layout recommendation for the ADS85x8 along with the proper decoupling and reference capacitors placement and connections. The layout recommendation takes into account the actual size of the components used.



- (1) All AVDD and DVDD decoupling capacitors are placed on the bottom layer underneath the device power-supply pins and are connected by vias. All 100-nF ceramic capacitors are placed as close as possible to the device and the 10-µF capacitors are also placed close but without compromising the placement of the smaller capacitors.

Figure 49. Layout Recommendation

## 13 器件和文档支持

### 13.1 文档支持

#### 13.1.1 相关文档

相关文档如下：

- 《OPA2277 数据表》，[SBOS079](#)
- REF5025 数据表，[SBOS410](#)
- TIPD151 经验证的设计指南，《[16 位 100KSPS 4 通道多路复用数据采集系统设计指南](#)》
- TIPD149 经验证的设计参考指南，《[适用于实现最低失真和最低噪声的功耗优化型 16 位 1MSPS 数据采集模块](#)》

### 13.2 相关链接

下面的表格列出了快速访问链接。范围包括技术文档、支持和社区资源、工具和软件，以及样片或购买的快速访问。

表 5. 相关链接

器件	产品文件夹	样片与购买	技术文档	工具与软件	支持与社区
ADS8528	<a href="#">请单击此处</a>	<a href="#">请单击此处</a>	<a href="#">请单击此处</a>	<a href="#">请单击此处</a>	<a href="#">请单击此处</a>
ADS8548	<a href="#">请单击此处</a>	<a href="#">请单击此处</a>	<a href="#">请单击此处</a>	<a href="#">请单击此处</a>	<a href="#">请单击此处</a>
ADS8568	<a href="#">请单击此处</a>	<a href="#">请单击此处</a>	<a href="#">请单击此处</a>	<a href="#">请单击此处</a>	<a href="#">请单击此处</a>

### 13.3 社区资源

The following links connect to TI community resources. Linked contents are provided "AS IS" by the respective contributors. They do not constitute TI specifications and do not necessarily reflect TI's views; see TI's [Terms of Use](#).

**TI E2E™ Online Community** *TI's Engineer-to-Engineer (E2E) Community*. Created to foster collaboration among engineers. At [e2e.ti.com](http://e2e.ti.com), you can ask questions, share knowledge, explore ideas and help solve problems with fellow engineers.

**Design Support** *TI's Design Support* Quickly find helpful E2E forums along with design support tools and contact information for technical support.

### 13.4 商标

E2E is a trademark of Texas Instruments.

All other trademarks are the property of their respective owners.

### 13.5 静电放电警告



这些装置包含有限的内置 ESD 保护。存储或装卸时，应将导线一起截短或将装置放置于导电泡棉中，以防止 MOS 门极遭受静电损伤。

### 13.6 Glossary

[SLYZ022](#) — *TI Glossary*.

This glossary lists and explains terms, acronyms, and definitions.

## 14 机械、封装和可订购信息

以下页中包括机械、封装和可订购信息。这些信息是针对指定器件可提供的最新数据。这些数据会在无通知且不对本文档进行修订的情况下发生改变。欲获得该数据表的浏览器版本，请查阅左侧的导航栏。



## 重要声明

德州仪器(TI)及其下属子公司有权根据 JESD46 最新标准,对所提供的产品和服务进行更正、修改、增强、改进或其它更改,并有权根据 JESD48 最新标准中止提供任何产品和服务。客户在下订单前应获取最新的相关信息,并验证这些信息是否完整且是最新的。所有产品的销售都遵循在订单确认时所提供的TI 销售条款与条件。

TI 保证其所销售的组件的性能符合产品销售时 TI 半导体产品销售条件与条款的适用规范。仅在 TI 保证的范围内,且 TI 认为有必要时才会使用测试或其它质量控制技术。除非适用法律做出了硬性规定,否则没有必要对每种组件的所有参数进行测试。

TI 对应用帮助或客户产品设计不承担任何义务。客户应对其使用 TI 组件的产品和应用自行负责。为尽量减小与客户产品和应用相关的风险,客户应提供充分的设计与操作安全措施。

TI 不对任何 TI 专利权、版权、屏蔽作品权或其它与使用了 TI 组件或服务的组合设备、机器或流程相关的 TI 知识产权中授予的直接或隐含权限作出任何保证或解释。TI 所发布的与第三方产品或服务有关的信息,不能构成从 TI 获得使用这些产品或服务的许可、授权、或认可。使用此类信息可能需要获得第三方的专利权或其它知识产权方面的许可,或是 TI 的专利权或其它知识产权方面的许可。

对于 TI 的产品手册或数据表中 TI 信息的重要部分,仅在没有对内容进行任何篡改且带有相关授权、条件、限制和声明的情况下才允许进行复制。TI 对此类篡改过的文件不承担任何责任或义务。复制第三方的信息可能需要服从额外的限制条件。

在转售 TI 组件或服务时,如果对该组件或服务参数的陈述与 TI 标明的参数相比存在差异或虚假成分,则会失去相关 TI 组件或服务的所有明示或暗示授权,且这是不正当的、欺诈性商业行为。TI 对任何此类虚假陈述均不承担任何责任或义务。

客户认可并同意,尽管任何应用相关信息或支持仍可能由 TI 提供,但他们将独力负责满足与其产品及其在应用中使用的 TI 产品相关的所有法律、法规和安全相关要求。客户声明并同意,他们具备制定与实施安全措施所需的全部专业技术和知识,可预见故障的危险后果、监测故障及其后果、降低有可能造成人身伤害的故障的发生机率并采取适当的补救措施。客户将全额赔偿因在此类安全关键应用中使用任何 TI 组件而对 TI 及其代理造成的任何损失。

在某些场合中,为了推进安全相关应用有可能对 TI 组件进行特别的促销。TI 的目标是利用此类组件帮助客户设计和创立其特有的可满足适用的功能安全性标准和要求的终端产品解决方案。尽管如此,此类组件仍然服从这些条款。

TI 组件未获得用于 FDA Class III (或类似的生命攸关医疗设备)的授权许可,除非各方授权官员已经达成了专门管控此类使用的特别协议。

只有那些 TI 特别注明属于军用等级或“增强型塑料”的 TI 组件才是设计或专门用于军事/航空应用或环境的。购买者认可并同意,对并非指定面向军事或航空航天用途的 TI 组件进行军事或航空航天方面的应用,其风险由客户单独承担,并且由客户独力负责满足与此类使用相关的所有法律和法规要求。

TI 已明确指定符合 ISO/TS16949 要求的产品,这些产品主要用于汽车。在任何情况下,因使用非指定产品而无法达到 ISO/TS16949 要求, TI 不承担任何责任。

	产品		应用
数字音频	<a href="http://www.ti.com.cn/audio">www.ti.com.cn/audio</a>	通信与电信	<a href="http://www.ti.com.cn/telecom">www.ti.com.cn/telecom</a>
放大器和线性器件	<a href="http://www.ti.com.cn/amplifiers">www.ti.com.cn/amplifiers</a>	计算机及周边	<a href="http://www.ti.com.cn/computer">www.ti.com.cn/computer</a>
数据转换器	<a href="http://www.ti.com.cn/dataconverters">www.ti.com.cn/dataconverters</a>	消费电子	<a href="http://www.ti.com.cn/consumer-apps">www.ti.com.cn/consumer-apps</a>
DLP® 产品	<a href="http://www.dlp.com">www.dlp.com</a>	能源	<a href="http://www.ti.com.cn/energy">www.ti.com.cn/energy</a>
DSP - 数字信号处理器	<a href="http://www.ti.com.cn/dsp">www.ti.com.cn/dsp</a>	工业应用	<a href="http://www.ti.com.cn/industrial">www.ti.com.cn/industrial</a>
时钟和计时器	<a href="http://www.ti.com.cn/clockandtimers">www.ti.com.cn/clockandtimers</a>	医疗电子	<a href="http://www.ti.com.cn/medical">www.ti.com.cn/medical</a>
接口	<a href="http://www.ti.com.cn/interface">www.ti.com.cn/interface</a>	安防应用	<a href="http://www.ti.com.cn/security">www.ti.com.cn/security</a>
逻辑	<a href="http://www.ti.com.cn/logic">www.ti.com.cn/logic</a>	汽车电子	<a href="http://www.ti.com.cn/automotive">www.ti.com.cn/automotive</a>
电源管理	<a href="http://www.ti.com.cn/power">www.ti.com.cn/power</a>	视频和影像	<a href="http://www.ti.com.cn/video">www.ti.com.cn/video</a>
微控制器 (MCU)	<a href="http://www.ti.com.cn/microcontrollers">www.ti.com.cn/microcontrollers</a>		
RFID 系统	<a href="http://www.ti.com.cn/rfidsys">www.ti.com.cn/rfidsys</a>		
OMAP应用处理器	<a href="http://www.ti.com/omap">www.ti.com/omap</a>		
无线连通性	<a href="http://www.ti.com.cn/wirelessconnectivity">www.ti.com.cn/wirelessconnectivity</a>	德州仪器在线技术支持社区	<a href="http://www.deyisupport.com">www.deyisupport.com</a>

邮寄地址: 上海市浦东新区世纪大道1568号, 中建大厦32楼邮政编码: 200122  
Copyright © 2016, 德州仪器半导体技术(上海)有限公司

**PACKAGING INFORMATION**

Orderable Device	Status (1)	Package Type	Package Drawing	Pins	Package Qty	Eco Plan (2)	Lead/Ball Finish (6)	MSL Peak Temp (3)	Op Temp (°C)	Device Marking (4/5)	Samples
ADS8528SPM	ACTIVE	LQFP	PM	64	160	Green (RoHS & no Sb/Br)	CU NIPDAU	Level-3-260C-168 HR	-40 to 125	ADS8528	<a href="#">Samples</a>
ADS8528SPMR	ACTIVE	LQFP	PM	64	1000	Green (RoHS & no Sb/Br)	CU NIPDAU	Level-3-260C-168 HR	-40 to 125	ADS8528	<a href="#">Samples</a>
ADS8528SRGCR	ACTIVE	VQFN	RGC	64	2000	Green (RoHS & no Sb/Br)	CU NIPDAU	Level-3-260C-168 HR	-40 to 125	ADS8528	<a href="#">Samples</a>
ADS8528SRGCT	ACTIVE	VQFN	RGC	64	250	Green (RoHS & no Sb/Br)	CU NIPDAU	Level-3-260C-168 HR	-40 to 125	ADS8528	<a href="#">Samples</a>
ADS8548SPM	ACTIVE	LQFP	PM	64	160	Green (RoHS & no Sb/Br)	CU NIPDAU	Level-3-260C-168 HR	-40 to 125	ADS8548	<a href="#">Samples</a>
ADS8548SPMR	ACTIVE	LQFP	PM	64	1000	Green (RoHS & no Sb/Br)	CU NIPDAU	Level-3-260C-168 HR	-40 to 125	ADS8548	<a href="#">Samples</a>
ADS8548SRGCR	ACTIVE	VQFN	RGC	64	2000	Green (RoHS & no Sb/Br)	CU NIPDAU	Level-3-260C-168 HR	-40 to 125	ADS8548	<a href="#">Samples</a>
ADS8548SRGCT	ACTIVE	VQFN	RGC	64	250	Green (RoHS & no Sb/Br)	CU NIPDAU	Level-3-260C-168 HR	-40 to 125	ADS8548	<a href="#">Samples</a>
ADS8568SPM	ACTIVE	LQFP	PM	64	160	Green (RoHS & no Sb/Br)	CU NIPDAU	Level-3-260C-168 HR	-40 to 125	ADS8568	<a href="#">Samples</a>
ADS8568SPMR	ACTIVE	LQFP	PM	64	1000	Green (RoHS & no Sb/Br)	CU NIPDAU	Level-3-260C-168 HR	-40 to 125	ADS8568	<a href="#">Samples</a>
ADS8568SRGCR	ACTIVE	VQFN	RGC	64	2000	Green (RoHS & no Sb/Br)	CU NIPDAU	Level-3-260C-168 HR	-40 to 125	ADS8568	<a href="#">Samples</a>
ADS8568SRGCT	ACTIVE	VQFN	RGC	64	250	Green (RoHS & no Sb/Br)	CU NIPDAU	Level-3-260C-168 HR	-40 to 125	ADS8568	<a href="#">Samples</a>

(1) The marketing status values are defined as follows:

**ACTIVE:** Product device recommended for new designs.

**LIFEBUY:** TI has announced that the device will be discontinued, and a lifetime-buy period is in effect.

**NRND:** Not recommended for new designs. Device is in production to support existing customers, but TI does not recommend using this part in a new design.

**PREVIEW:** Device has been announced but is not in production. Samples may or may not be available.

**OBSELETE:** TI has discontinued the production of the device.

(2) Eco Plan - The planned eco-friendly classification: Pb-Free (RoHS), Pb-Free (RoHS Exempt), or Green (RoHS & no Sb/Br) - please check <http://www.ti.com/productcontent> for the latest availability information and additional product content details.

**TBD:** The Pb-Free/Green conversion plan has not been defined.

---

**Pb-Free (RoHS):** TI's terms "Lead-Free" or "Pb-Free" mean semiconductor products that are compatible with the current RoHS requirements for all 6 substances, including the requirement that lead not exceed 0.1% by weight in homogeneous materials. Where designed to be soldered at high temperatures, TI Pb-Free products are suitable for use in specified lead-free processes.

**Pb-Free (RoHS Exempt):** This component has a RoHS exemption for either 1) lead-based flip-chip solder bumps used between the die and package, or 2) lead-based die adhesive used between the die and leadframe. The component is otherwise considered Pb-Free (RoHS compatible) as defined above.

**Green (RoHS & no Sb/Br):** TI defines "Green" to mean Pb-Free (RoHS compatible), and free of Bromine (Br) and Antimony (Sb) based flame retardants (Br or Sb do not exceed 0.1% by weight in homogeneous material)

<sup>(3)</sup> MSL, Peak Temp. - The Moisture Sensitivity Level rating according to the JEDEC industry standard classifications, and peak solder temperature.

<sup>(4)</sup> There may be additional marking, which relates to the logo, the lot trace code information, or the environmental category on the device.

<sup>(5)</sup> Multiple Device Markings will be inside parentheses. Only one Device Marking contained in parentheses and separated by a "~" will appear on a device. If a line is indented then it is a continuation of the previous line and the two combined represent the entire Device Marking for that device.

<sup>(6)</sup> Lead/Ball Finish - Orderable Devices may have multiple material finish options. Finish options are separated by a vertical ruled line. Lead/Ball Finish values may wrap to two lines if the finish value exceeds the maximum column width.

**Important Information and Disclaimer:**The information provided on this page represents TI's knowledge and belief as of the date that it is provided. TI bases its knowledge and belief on information provided by third parties, and makes no representation or warranty as to the accuracy of such information. Efforts are underway to better integrate information from third parties. TI has taken and continues to take reasonable steps to provide representative and accurate information but may not have conducted destructive testing or chemical analysis on incoming materials and chemicals. TI and TI suppliers consider certain information to be proprietary, and thus CAS numbers and other limited information may not be available for release.

In no event shall TI's liability arising out of such information exceed the total purchase price of the TI part(s) at issue in this document sold by TI to Customer on an annual basis.

## TAPE AND REEL INFORMATION



### QUADRANT ASSIGNMENTS FOR PIN 1 ORIENTATION IN TAPE



\*All dimensions are nominal

Device	Package Type	Package Drawing	Pins	SPQ	Reel Diameter (mm)	Reel Width W1 (mm)	A0 (mm)	B0 (mm)	K0 (mm)	P1 (mm)	W (mm)	Pin1 Quadrant
ADS8528SPMR	LQFP	PM	64	1000	330.0	24.4	13.0	13.0	2.1	16.0	24.0	Q2
ADS8528SRGCR	VQFN	RGC	64	2000	330.0	16.4	9.3	9.3	1.1	12.0	16.0	Q2
ADS8528SRGCT	VQFN	RGC	64	250	180.0	16.4	9.3	9.3	1.1	12.0	16.0	Q2
ADS8548SPMR	LQFP	PM	64	1000	330.0	24.4	13.0	13.0	2.1	16.0	24.0	Q2
ADS8548SRGCR	VQFN	RGC	64	2000	330.0	16.4	9.3	9.3	1.1	12.0	16.0	Q2
ADS8548SRGCT	VQFN	RGC	64	250	180.0	16.4	9.3	9.3	1.1	12.0	16.0	Q2
ADS8568SPMR	LQFP	PM	64	1000	330.0	24.4	13.0	13.0	2.1	16.0	24.0	Q2
ADS8568SRGCR	VQFN	RGC	64	2000	330.0	16.4	9.3	9.3	1.1	12.0	16.0	Q2
ADS8568SRGCT	VQFN	RGC	64	250	180.0	16.4	9.3	9.3	1.1	12.0	16.0	Q2

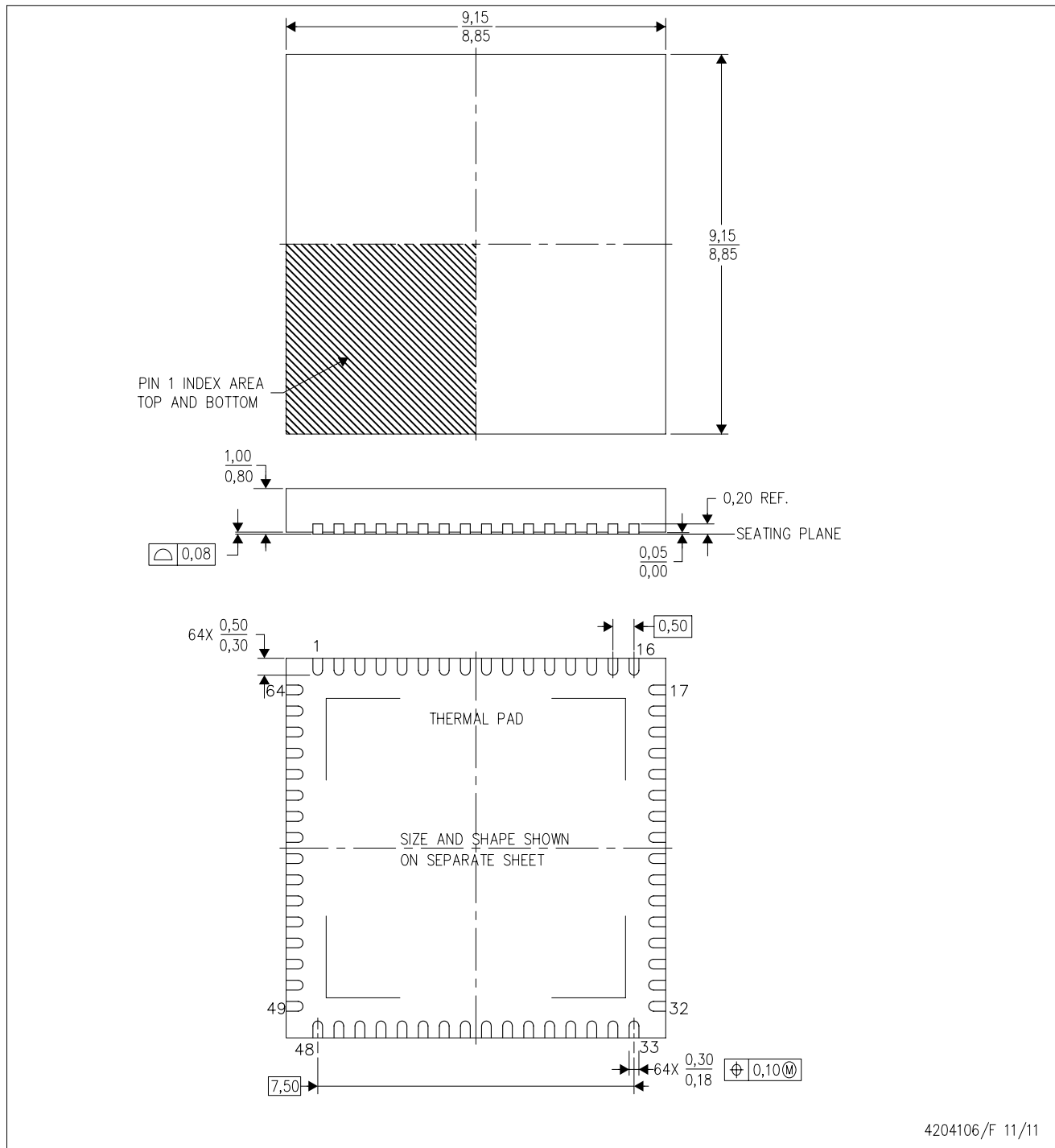
**TAPE AND REEL BOX DIMENSIONS**


\*All dimensions are nominal

Device	Package Type	Package Drawing	Pins	SPQ	Length (mm)	Width (mm)	Height (mm)
ADS8528SPMR	LQFP	PM	64	1000	367.0	367.0	45.0
ADS8528SRGCR	VQFN	RGC	64	2000	367.0	367.0	38.0
ADS8528SRGCT	VQFN	RGC	64	250	210.0	185.0	35.0
ADS8548SPMR	LQFP	PM	64	1000	367.0	367.0	45.0
ADS8548SRGCR	VQFN	RGC	64	2000	367.0	367.0	38.0
ADS8548SRGCT	VQFN	RGC	64	250	210.0	185.0	35.0
ADS8568SPMR	LQFP	PM	64	1000	367.0	367.0	45.0
ADS8568SRGCR	VQFN	RGC	64	2000	367.0	367.0	38.0
ADS8568SRGCT	VQFN	RGC	64	250	210.0	185.0	35.0

# MECHANICAL DATA

RGC(S-PVQFN-N64) CUSTOM DEVICE PLASTIC QUAD FLATPACK NO-LEAD



- NOTES:
- All linear dimensions are in millimeters. Dimensioning and tolerancing per ASME Y14.5-1994.
  - This drawing is subject to change without notice.
  - Quad Flatpack, No-leads (QFN) package configuration.
  - The package thermal pad must be soldered to the board for thermal and mechanical performance.
  - See the additional figure in the Product Data Sheet for details regarding the exposed thermal pad features and dimensions.

# THERMAL PAD MECHANICAL DATA

RGC (S-PVQFN-N64)

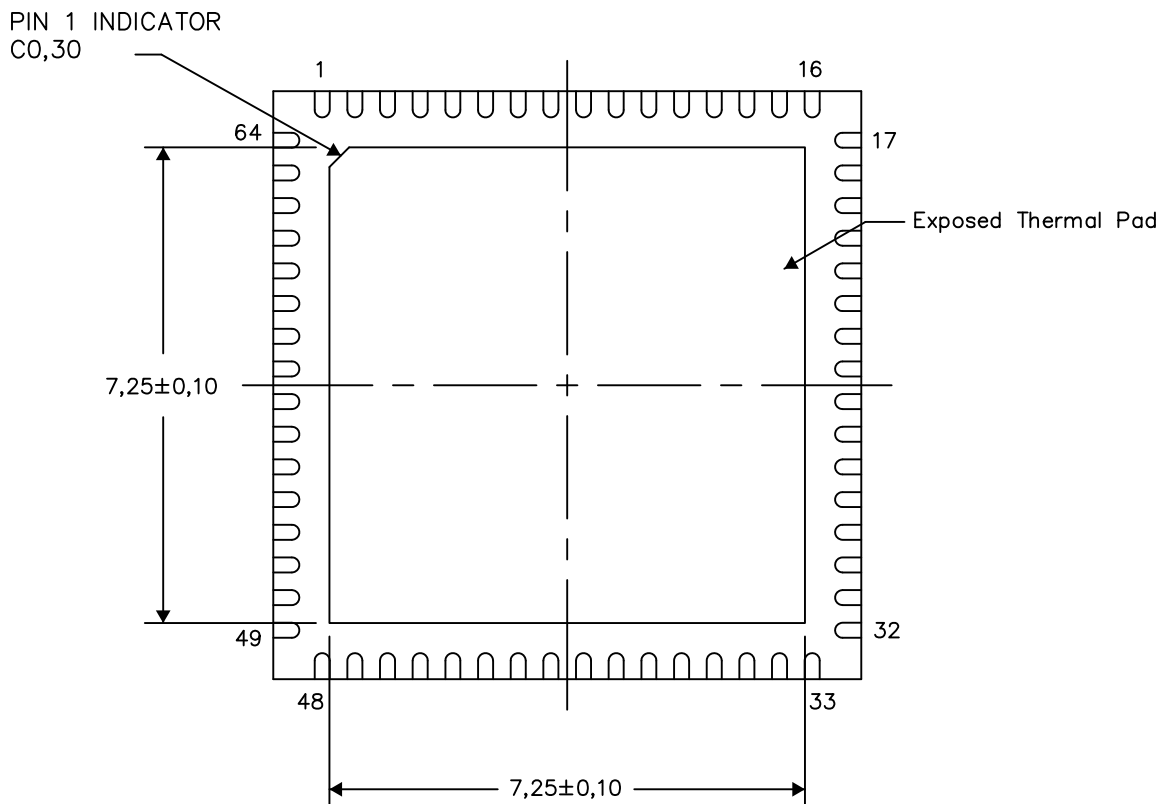
PLASTIC QUAD FLATPACK NO-LEAD

## THERMAL INFORMATION

This package incorporates an exposed thermal pad that is designed to be attached directly to an external heatsink. The thermal pad must be soldered directly to the printed circuit board (PCB). After soldering, the PCB can be used as a heatsink. In addition, through the use of thermal vias, the thermal pad can be attached directly to the appropriate copper plane shown in the electrical schematic for the device, or alternatively, can be attached to a special heatsink structure designed into the PCB. This design optimizes the heat transfer from the integrated circuit (IC).

For information on the Quad Flatpack No-Lead (QFN) package and its advantages, refer to Application Report, QFN/SON PCB Attachment, Texas Instruments Literature No. SLUA271. This document is available at [www.ti.com](http://www.ti.com).

The exposed thermal pad dimensions for this package are shown in the following illustration.



Bottom View

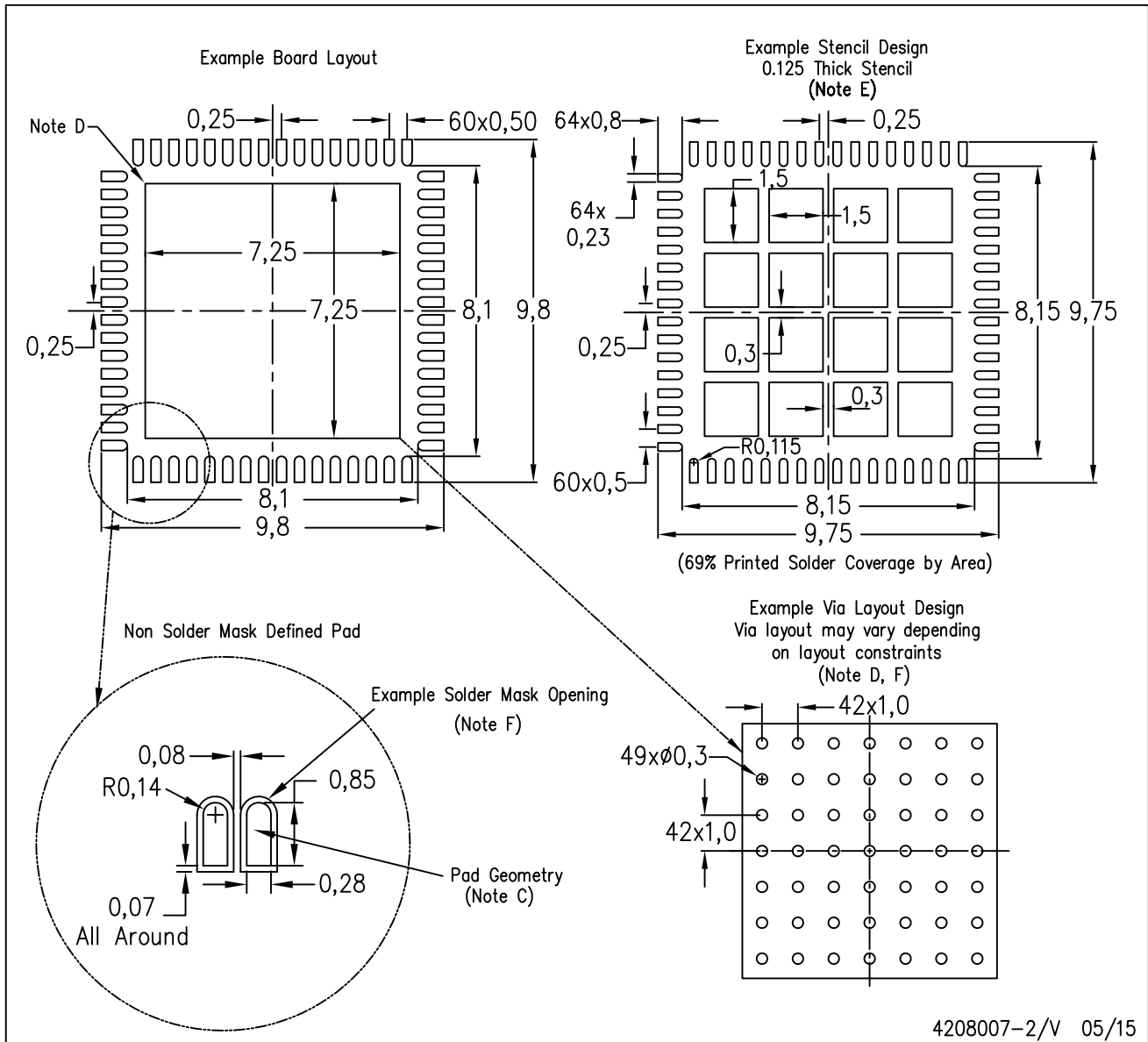
Exposed Thermal Pad Dimensions

4206192-2/AE 03/15

NOTE: A. All linear dimensions are in millimeters

RGC (S-PVQFN-N64)

PLASTIC QUAD FLATPACK NO-LEAD

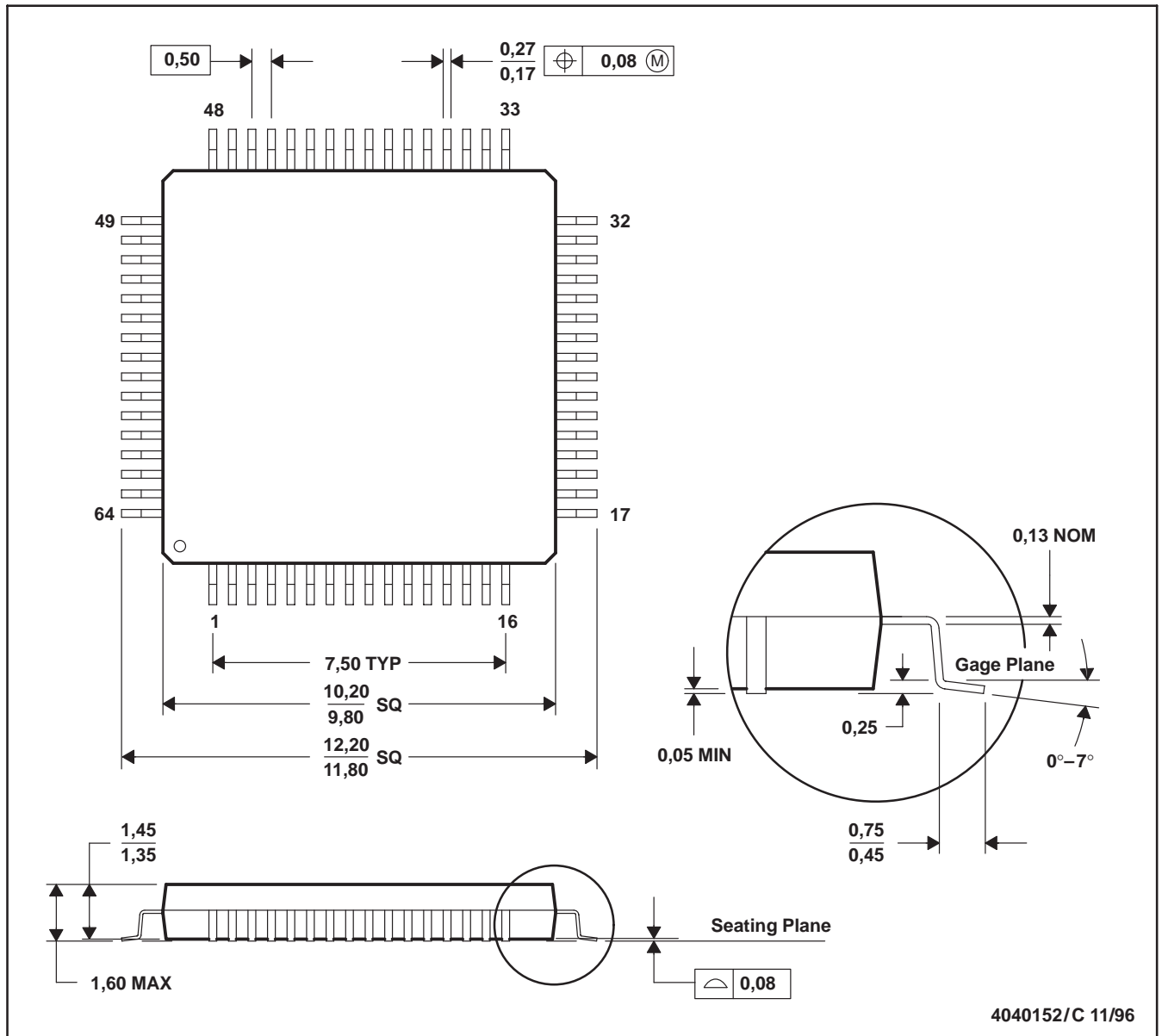


- NOTES:
- All linear dimensions are in millimeters.
  - This drawing is subject to change without notice.
  - Publication IPC-7351 is recommended for alternate designs.
  - This package is designed to be soldered to a thermal pad on the board. Refer to Application Note, Quad Flat-Pack Packages, Texas Instruments Literature No. SLUA271, and also the Product Data Sheets for specific thermal information, via requirements, and recommended board layout. These documents are available at [www.ti.com](http://www.ti.com) <<http://www.ti.com>>.
  - Laser cutting apertures with trapezoidal walls and also rounding corners will offer better paste release. Customers should contact their board assembly site for stencil design recommendations. Refer to IPC 7525 for stencil design considerations.
  - Customers should contact their board fabrication site for recommended solder mask tolerances and via tenting recommendations for vias placed in thermal pad.



PM (S-PQFP-G64)

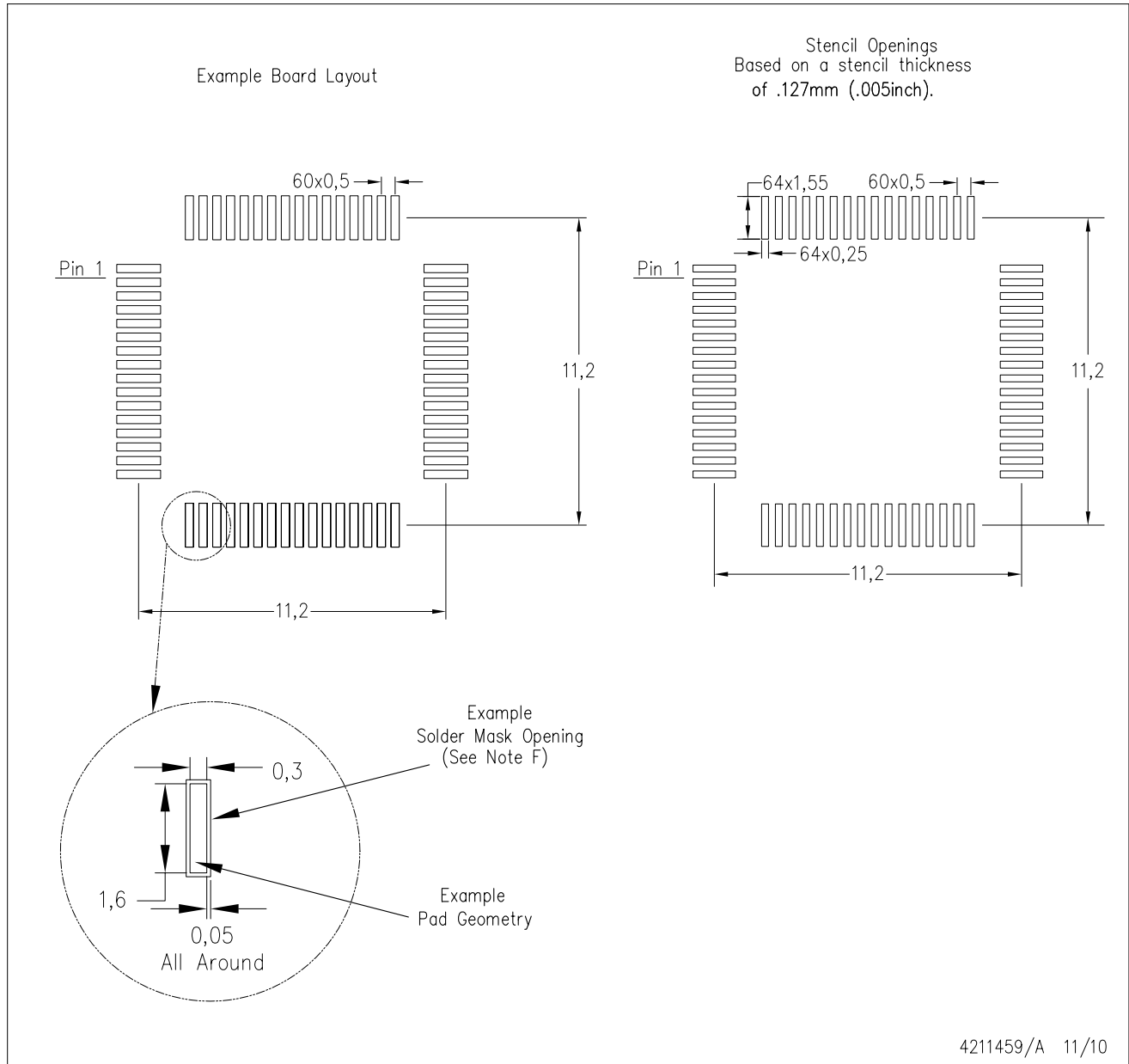
PLASTIC QUAD FLATPACK



- NOTES: A. All linear dimensions are in millimeters.  
 B. This drawing is subject to change without notice.  
 C. Falls within JEDEC MS-026  
 D. May also be thermally enhanced plastic with leads connected to the die pads.

PM (S-PQFP-G64)

PLASTIC QUAD FLATPACK



- NOTES:
- A. All linear dimensions are in millimeters.
  - B. This drawing is subject to change without notice.
  - C. Laser cutting apertures with trapezoidal walls and also rounding corners will offer better paste release. Customers should contact their board assembly site for stencil design recommendations. Example stencil design based on a 50% volumetric metal load solder paste. Refer to IPC-7525 for other stencil recommendations.
  - D. Customers should contact their board fabrication site for solder mask tolerances between and around signal pads.

## 重要声明

德州仪器 (TI) 公司有权按照最新发布的 JESD46 对其半导体产品和服务进行纠正、增强、改进和其他修改，并不再按最新发布的 JESD48 提供任何产品和服务。买方在下订单前应获取最新的相关信息，并验证这些信息是否完整且是最新的。

TI 公布的半导体产品销售条款 (<http://www.ti.com/sc/docs/stdterms.htm>) 适用于 TI 已认证和批准上市的已封装集成电路产品的销售。另有其他条款可能适用于其他类型 TI 产品及服务的使用或销售。

复制 TI 数据表上 TI 信息的重要部分时，不得变更该等信息，且必须随附所有相关保证、条件、限制和通知，否则不得复制。TI 对该等复制文件不承担任何责任。第三方信息可能受到其它限制条件的制约。在转售 TI 产品或服务时，如果存在对产品或服务参数的虚假陈述，则会失去相关 TI 产品或服务的明示或暗示保证，且构成不公平的、欺诈性商业行为。TI 对此类虚假陈述不承担任何责任。

买方和在系统中整合 TI 产品的其他开发人员（总称“设计人员”）理解并同意，设计人员在设计应用时应自行实施独立的分析、评价和判断，且应全权负责并确保应用的安全性，及设计人员的应用（包括应用中使用的 TI 产品）应符合所有适用的法律法规及其他相关要求。设计人员就自己设计的应用声明，其具备制订和实施下列保障措施所需的一切必要专业知识，能够 (1) 预见故障的危险后果，(2) 监视故障及其后果，以及 (3) 降低可能导致危险的故障几率并采取适当措施。设计人员同意，在使用或分发包含 TI 产品的任何应用前，将彻底测试该等应用和该等应用中所用 TI 产品的功能。

TI 提供技术、应用或其他设计建议、质量特点、可靠性数据或其他服务或信息，包括但不限于与评估模块有关的参考设计和材料（总称“TI 资源”），旨在帮助设计人员开发整合了 TI 产品的应用，如果设计人员（个人，或如果是代表公司，则为设计人员的公司）以任何方式下载、访问或使用任何特定的 TI 资源，即表示其同意仅为该等目标，按照本通知的条款使用任何特定 TI 资源。

TI 所提供的 TI 资源，并未扩大或以其他方式修改 TI 对 TI 产品的公开适用的质保及质保免责声明；也未导致 TI 承担任何额外的义务或责任。TI 有权对其 TI 资源进行纠正、增强、改进和其他修改。除特定 TI 资源的公开文档中明确列出的测试外，TI 未进行任何其他测试。

设计人员只有在开发包含该等 TI 资源所列 TI 产品的应用时，才被授权使用、复制和修改任何相关 TI 资源。但并未依据禁止反言原则或其他法律授予您任何 TI 知识产权的任何其他明示或暗示的许可，也未授予您 TI 或第三方的任何技术或知识产权的许可，该等许可包括但不限于任何专利权、版权、屏蔽作品权或与美国 TI 产品或服务的任何整合、机器制作、流程相关的其他知识产权。涉及或参考了第三方产品或服务的信息不构成使用此类产品或服务的许可或与其相关的保证或认可。使用 TI 资源可能需要您向第三方获得对该等第三方专利或其他知识产权的许可。

TI 资源系“按原样”提供。TI 兹免除对资源及其使用作出所有其他明确或默认为的保证或陈述，包括但不限于对准确性或完整性、产权保证、无屡发故障保证，以及适销性、适合特定用途和不侵犯任何第三方知识产权的任何默认保证。TI 不负责任何申索，包括但不限于因组合产品所致或与之有关的申索，也不为或对设计人员进行辩护或赔偿，即使该等产品组合已列于 TI 资源或其他地方。对因 TI 资源或其使用引起或与之有关的任何实际的、直接的、特殊的、附带的、间接的、惩罚性的、偶发的、从属或惩戒性损害赔偿，不管 TI 是否获悉可能会产生上述损害赔偿，TI 概不负责。

除 TI 已明确指出特定产品已达到特定行业标准（例如 ISO/TS 16949 和 ISO 26262）的要求外，TI 不对未达到任何该等行业标准要求而承担任何责任。

如果 TI 明确宣称产品有助于功能安全或符合行业功能安全标准，则该等产品旨在帮助客户设计和创作自己的符合相关功能安全标准和要求的的应用。在应用内使用产品的行为本身不会配有安全特性。设计人员必须确保遵守适用于其应用的相关安全要求和标准。设计人员不可将任何 TI 产品用于关乎性命的医疗设备，除非已由各方获得授权的管理人员签署专门的合同对此类应用专门作出规定。关乎性命的医疗设备是指出现故障会导致严重身体伤害或死亡的医疗设备（例如生命保障设备、心脏起搏器、心脏除颤器、人工心脏泵、神经刺激器以及植入设备）。此类设备包括但不限于，美国食品药品监督管理局认定为 III 类设备的设备，以及在美国以外的其他国家或地区认定为同等类别设备的所有医疗设备。

TI 可能明确指定某些产品具备某些特定资格（例如 Q100、军用级或增强型产品）。设计人员同意，其具备一切必要专业知识，可以为自己的应用选择适合的产品，并且正确选择产品的风险由设计人员承担。设计人员单方面负责遵守与该等选择有关的所有法律或监管要求。

设计人员同意向 TI 及其代表全额赔偿因其不遵守本通知条款和条件而引起的任何损害、费用、损失和/或责任。

邮寄地址：上海市浦东新区世纪大道 1568 号中建大厦 32 楼，邮政编码：200122  
Copyright © 2017 德州仪器半导体技术（上海）有限公司