

# ADS8588S在单电源上具有双极性输入的 ADS8588S 16 位、高速 8 通道、同步采样 ADC

## 1 特性

- 具有集成式模拟前端的 16 位 ADC
- 同步采样：8 通道
- 可通过引脚编程设定的双极输入：±10V 和 ±5V
- 高输入阻抗：1MΩ
- 5V 模拟电源：2.3V 到 5V I/O 电源
- 7kV 静电放电 (ESD) 过压输入钳位
- 低漂移片上基准 (2.5V) 和缓冲器
- 出色的性能：
  - 200kSPS 的最大吞吐量（所有通道）
  - 差分非线性 (DNL): ±0.35 最低有效位 (LSB); 积分非线性 (INL): ±0.45 LSB
  - 信噪比 (SNR): 96.4dB; 总谐波失真 (THD): -114dB
- 过热性能：
  - 最大偏移漂移: 3ppm/°C
  - 增益漂移: 6ppm/°C
- 用于过采样的片上数字滤波器
- 灵活的并行、字节和串行接口
- 温度范围: -40°C 至 +125°C
- 封装: 64 引脚 LQFP

## 2 应用

- 电网监控
- 保护中继器
- 多相电机控制
- 工业自动化和控制
- 多通道数据采集系统

## 3 说明

ADS8588S 器件是一款基于集成式数据采集 (DAQ) 系统的 8 通道、16 位、逐次逼近型 (SAR) 同步采样模数转换器 (ADC)，每通道的最大采样频率为 200kSPS。该器件每个通道都有一个完整的模拟前端，其中包含输入阻抗高达 1MΩ 的可编程增益放大器 (PGA)、输入钳位、低通滤波器和 ADC 输入驱动器。此外，该器件还具备带缓冲器的低漂移、高精度基准电压，以用于驱动 ADC。凭借灵活的数字接口，该器件支持串行、并行和并行字节通信，适用于各种主机控制器。的前两个句子

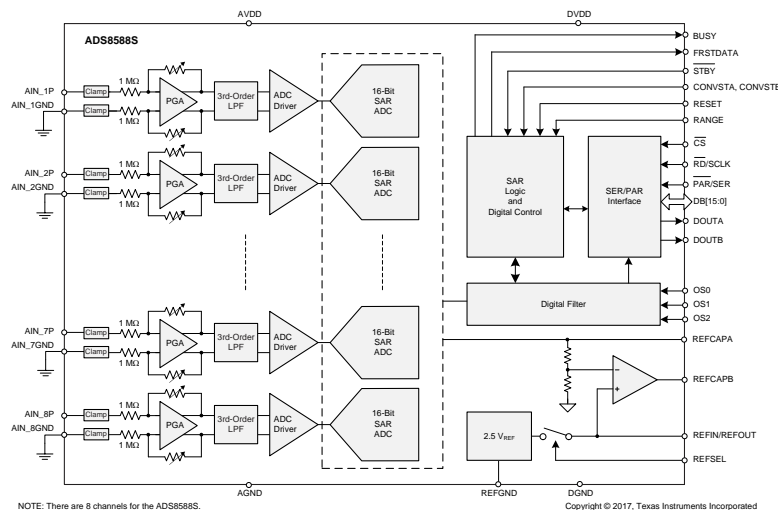
ADS8588S 采用单一 5V 电源，并且可配置为接受 ±10V 或 ±5V 真正双极输入。高输入阻抗特性允许直连传感器和变压器，因此无需使用外部驱动器电路。此器件能够实现高性能、高精度以及零延迟转换，因此 ADS8588S 同样非常适用于工业自动化和控制 IC。

### 器件信息<sup>(1)</sup>

器件型号	封装	封装尺寸 (标称值)
ADS8588S	LQFP (64)	10.00mm x 10.00mm

(1) 如需了解所有可用封装，请见数据表末尾的可订购产品附录。

### 简化框图



## 目录

1	特性 .....	1	7.17	Switching Characteristics: Parallel Data Read Operation, CS and RD Separate .....	14
2	应用 .....	1	7.18	Switching Characteristics: Serial Data Read Operation .....	14
3	说明 .....	1	7.19	Switching Characteristics: Byte Mode Data Read Operation .....	14
4	修订历史记录 .....	2	7.20	Typical Characteristics .....	18
5	<b>Device Family Comparison Table</b> .....	4	<b>8</b>	<b>Detailed Description</b> .....	25
6	<b>Pin Configuration and Functions</b> .....	4	8.1	Overview .....	25
7	<b>Specifications</b> .....	6	8.2	Functional Block Diagram .....	25
7.1	Absolute Maximum Ratings .....	6	8.3	Feature Description .....	26
7.2	ESD Ratings .....	7	8.4	Device Functional Modes .....	34
7.3	Recommended Operating Conditions .....	7	<b>9</b>	<b>Application and Implementation</b> .....	47
7.4	Thermal Information .....	7	9.1	Application Information .....	47
7.5	Electrical Characteristics .....	8	9.2	Typical Application .....	47
7.6	Timing Requirements: CONVST Control .....	11	<b>10</b>	<b>Power Supply Recommendations</b> .....	51
7.7	Timing Requirements: Data Read Operation .....	11	<b>11</b>	<b>Layout</b> .....	52
7.8	Timing Requirements: Parallel Data Read Operation, CS and RD Tied Together .....	11	11.1	Layout Guidelines .....	52
7.9	Timing Requirements: Parallel Data Read Operation, CS and RD Separate .....	12	11.2	Layout Example .....	52
7.10	Timing Requirements: Serial Data Read Operation .....	12	<b>12</b>	<b>器件和文档支持</b> .....	54
7.11	Timing Requirements: Byte Mode Data Read Operation .....	12	12.1	文档支持 .....	54
7.12	Timing Requirements: Oversampling Mode .....	12	12.2	接收文档更新通知 .....	54
7.13	Timing Requirements: Exit Standby Mode .....	12	12.3	社区资源 .....	54
7.14	Timing Requirements: Exit Shutdown Mode .....	13	12.4	商标 .....	54
7.15	Switching Characteristics: CONVST Control .....	13	12.5	静电放电警告 .....	54
7.16	Switching Characteristics: Parallel Data Read Operation, CS and RD Tied Together .....	13	12.6	Glossary .....	54
			<b>13</b>	<b>机械、封装和可订购信息</b> .....	54

## 4 修订历史记录

注：之前版本的页码可能与当前版本有所不同。

Changes from Original (December 2016) to Revision A	Page
• 已删除 从文档中删除了 ADS8586S 和 ADS8584S .....	1
• 已更改 文档标题 .....	1
• 已更改 更改了说明部分 .....	1
• 已更改 简化框图图形：将图形中的第 2 阶改成了第 3 阶，RANGE/SDI 改成了 RANGE，并添加了标题 .....	1
• Changed <i>Device Family Comparison Table</i> to compare device family members .....	4
• Changed AGND to DGND in DVDD to DGND row of <i>Absolute Maximum Ratings</i> table .....	6
• Changed minimum specification from -96 to -64 in last row of external reference for E <sub>G</sub> parameter .....	8
• Changed x-axis of <i>DC Histogram of Codes (±10 V)</i> , <i>DC Histogram of Codes (±5 V)</i> , and <i>DNL for All Codes</i> curves .....	18
• Changed x-axis of <i>INL vs All Codes (±10 V)</i> and <i>INL vs All Codes (±5 V)</i> curves .....	19
• Changed <i>second-order</i> to <i>third-order</i> in first paragraph of <i>Overview</i> section .....	25
• Changed 2nd-order to 3rd-order and RANGE/SDI to RANGE in functional block diagram .....	25
• Changed 2nd-order to 3rd-order in <i>Front-End Circuit Schematic for Each Analog Input Channel</i> figure .....	26
• Changed <i>multiple</i> to <i>two</i> in first sentence of second paragraph of <i>Analog Inputs</i> section .....	26
• Changed <i>second</i> to <i>third</i> in title and description of <i>Third-Order, Low-Pass Filter (LPF)</i> section .....	28
• Added Butterworth to LPF description in <i>Third-Order, Low-Pass Filter (LPF)</i> section .....	28
• Changed second to third in titles of <i>Third-Order LPF Magnitude Response</i> and <i>Third-Order LPF Phase Response</i> figures .....	28
• Changed <i>16-Bit ADC Transfer Function (Twos Complement Binary Format)</i> figure for more accurate representation .....	33

**修订历史记录 (continued)**

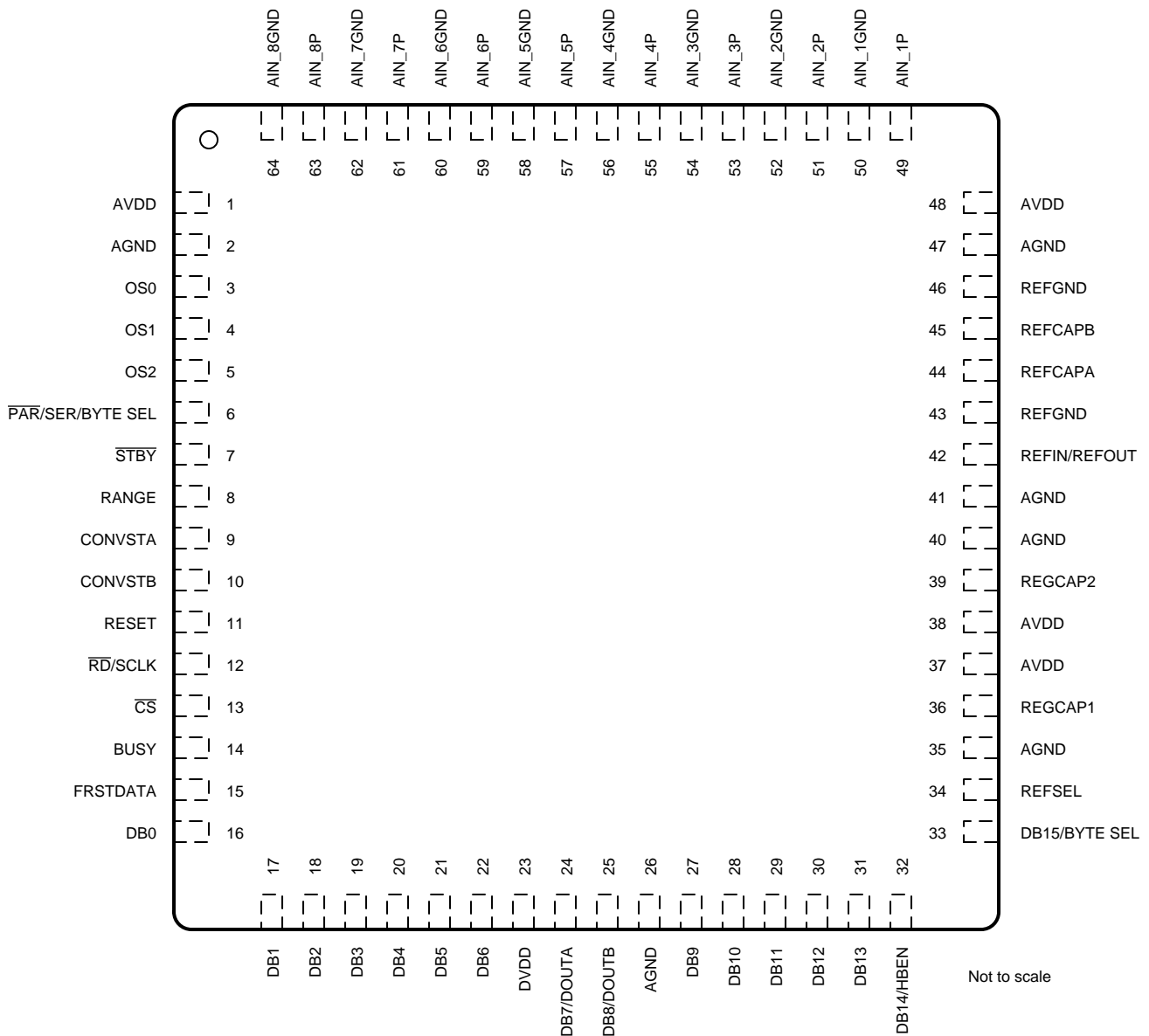
• Changed conversion to conversion results in first sentence of third paragraph in <i>Serial Data Read</i> section .....	42
• Changed x-axis of curves <i>DC Histogram for OSR2</i> to <i>DC Histogram for OSR64</i> .....	45
• Changed 2nd-order to 3rd-order in <i>8-Channel DAQ for Power Automation Using the ADS8588S</i> figure .....	47
• Changed 2nd-order to 3rd-order in <i>Input RC Low-Pass Filter</i> figure .....	48
• Deleted <i>PSRR Across Frequency (Without Decapacitor)</i> figure from <i>Power Supply Recommendations</i> section .....	51
• Changed <i>PSRR Across Frequency (With Decapacitor)</i> figure .....	51

## 5 Device Family Comparison Table

PRODUCT	RESOLUTION (Bits)	CHANNELS	SAMPLE RATE (kSPS)
ADS8588S	16	8, single-ended	200
ADS8586S	16	6, single-ended	250
ADS8584S	16	4, single-ended	330
ADS8578S	14	8, single-ended	200

## 6 Pin Configuration and Functions

PM Package: ADS8588S  
64-Pin LQFP  
Top View



### Pin Functions

PIN		TYPE <sup>(1)</sup>	DESCRIPTION
NAME	NO.		
AGND	2, 26, 35, 40, 41, 47	P	Analog ground pins
AIN_1GND	50	AI	Analog input channel 1: negative input
AIN_1P	49	AI	Analog input channel 1: positive input
AIN_2GND	52	AI	Analog input channel 2: negative input
AIN_2P	51	AI	Analog input channel 2: positive input
AIN_3GND	54	AI	Analog input channel 3: negative input
AIN_3P	53	AI	Analog input channel 3: positive input
AIN_4GND	56	AI	Analog input channel 4: negative input
AIN_4P	55	AI	Analog input channel 4: positive input
AIN_5GND	58	AI	Analog input channel 5: negative input
AIN_5P	57	AI	Analog input channel 5: positive input
AIN_6GND	60	AI	Analog input channel 6: negative input
AIN_6P	59	AI	Analog input channel 6: positive input
AIN_7GND	62	AI	Analog input channel 7: negative input
AIN_7P	61	AI	Analog input channel 7: positive input
AIN_8GND	64	AI	Analog input channel 8: negative input
AIN_8P	63	AI	Analog input channel 8: positive input
AVDD	1, 37, 38, 48	P	Analog supply pins. Decouple these pins to the closest AGND pins (see the <a href="#">Power Supply Recommendations</a> section)
BUSY	14	DO	Active high digital output indicating ongoing conversion (see the <a href="#">BUSY (Output)</a> section)
CONVSTA	9	DI	Active high logic input to control start of conversion for first half count of device input channels (see the <a href="#">CONVSTA, CONVSTB (Input)</a> section)
CONVSTB	10	DI	Active high logic input to control start of conversion for second half count of device input channels (see the <a href="#">CONVSTA, CONVSTB (Input)</a> section)
$\overline{CS}$	13	DI	Active low logic input chip-select signal (see the <a href="#">CS (Input)</a> section)
DB0	16	DO	Data output DB0 (LSB) in parallel interface mode (see the <a href="#">DB[6:0]</a> section)
DB1	17	DO	Data output DB1 in parallel interface mode (see the <a href="#">DB[6:0]</a> section)
DB2	18	DO	Data output DB2 in parallel interface mode (see the <a href="#">DB[6:0]</a> section)
DB3	19	DO	Data output DB3 in parallel interface mode (see the <a href="#">DB[6:0]</a> section)
DB4	20	DO	Data output DB4 in parallel interface mode (see the <a href="#">DB[6:0]</a> section)
DB5	21	DO	Data output DB5 in parallel interface mode (see the <a href="#">DB[6:0]</a> section)
DB6	22	DO	Data output DB6 in parallel interface mode (see the <a href="#">DB[6:0]</a> section)
DB7/DOUTA	24	DO	Multi-function logic output pin (see the <a href="#">DB7/DOUTA</a> section): this pin is data output DB7 in parallel and parallel byte interface mode; this pin is a data output pin in serial interface mode.
DB8/DOUTB	25	DO	Multi-function logic output pin (see the <a href="#">DB8/DOUTB</a> section): this pin is data output DB8 in parallel interface mode; this pin is a data output pin in serial interface mode.
DB9	27	DO	Data output DB9 in parallel interface mode (see the <a href="#">DB[13:9]</a> section)
DB10	28	DO	Data output DB10 in parallel interface mode (see the <a href="#">DB[13:9]</a> section)
DB11	29	DO	Data output DB11 in parallel interface mode (see the <a href="#">DB[13:9]</a> section)
DB12	30	DO	Data output DB12 in parallel interface mode (see the <a href="#">DB[13:9]</a> section)
DB13	31	DO	Data output DB13 in parallel interface mode (see the <a href="#">DB[13:9]</a> section)
DB14/HBEN	32	DIO	Multi-function logic input or output pin (see the <a href="#">DB14/HBEN</a> section): this pin is data output DB14 in parallel interface mode; this pin is a control input pin for byte selection (high or low) in parallel byte interface mode
DB15/BYTE SEL	33	DIO	Multi-function logic input or output pin (see the <a href="#">DB15/BYTE SEL</a> section): this pin is data output DB15 (MSB) in parallel interface mode; this pin is an active high control input pin to enable parallel byte interface mode.
DVDD	23	P	Digital supply pin; decouple with AGND on pin 26.
FRSTDATA	15	DO	Active high digital output indicating data read back from channel 1 of the device (see the <a href="#">FRSTDATA (Output)</a> section)

(1) AI = analog input; AO = analog output; AIO = analog input/output; DI = digital input; DO = digital output; DIO = digital input/output; P = power supply; and NC = no connect.

**Pin Functions (continued)**

PIN		TYPE <sup>(1)</sup>	DESCRIPTION
NAME	NO.		
OS0	3	DI	Oversampling mode control pin (see the <a href="#">Oversampling Mode of Operation</a> section)
OS1	4	DI	Oversampling mode control pin (see the <a href="#">Oversampling Mode of Operation</a> section)
OS2	5	DI	Oversampling mode control pin (see the <a href="#">Oversampling Mode of Operation</a> section)
$\overline{\text{PAR/SER/BYTE SEL}}$	6	DI	Logic input pin to select between parallel, serial, or parallel byte interface mode (see the <a href="#">Data Read Operation</a> section)
RANGE	8	DI	Multi-function logic input pin (see the <a href="#">RANGE (Input)</a> section): when $\overline{\text{STBY}}$ pin is high, this pin selects the input range of the device ( $\pm 10\text{ V}$ or $\pm 5\text{ V}$ ); when $\overline{\text{STBY}}$ pin is low, this pin selects between the standby and shutdown modes.
$\overline{\text{RD/SCLK}}$	12	DI	Multi-function logic input pin (see the <a href="#">RD/SCLK (Input)</a> section): this pin is an active-low ready input pin in parallel and parallel byte interface; this pin is a clock input pin in serial interface mode.
REFCAPA	44	AO	Reference amplifier output pins. This pin must be shorted to REFCAPB and decoupled to AGND using a low ESR, 10- $\mu\text{F}$ ceramic capacitor.
REFCAPB	45	AO	Reference amplifier output pins. This pin must be shorted to REFCAPA and decoupled to AGND using a low ESR, 10- $\mu\text{F}$ ceramic capacitor.
REFGND	43, 46	P	Reference GND pin. This pin must be shorted to the analog GND plane and decoupled with REFIN/REFOUT on pin 42 using a 10- $\mu\text{F}$ capacitor.
REFIN/REFOUT	42	AIO	This pin acts as an internal reference output when REFSEL is high; this pin functions as input pin for the external reference when REFSEL is low; decouple with REFGND on pin 43 using a 10- $\mu\text{F}$ capacitor.
REFSEL	34	DI	Active high logic input to enable the internal reference (see the <a href="#">REFSEL (Input)</a> section)
REGCAP1	36	AO	Output pin 1 for the internal voltage regulator; decouple separately to AGND using a 1- $\mu\text{F}$ capacitor.
REGCAP2	39	AO	Output pin 2 for the internal voltage regulator; decouple separately to AGND using a 1- $\mu\text{F}$ capacitor.
RESET	11	DI	Active high logic input to reset the device digital logic (see the <a href="#">RESET (Input)</a> section)
$\overline{\text{STBY}}$	7	DI	Active low logic input to enter the device into one of the two power-down modes: standby or shutdown (see the <a href="#">Power-Down Modes</a> section)

## 7 Specifications

### 7.1 Absolute Maximum Ratings

 at  $T_A = 25^\circ\text{C}$  (unless otherwise noted)<sup>(1)</sup>

	MIN	MAX	UNIT
AVDD to AGND	-0.3	7.0	V
DVDD to DGND	-0.3	7.0	V
AGND to DGND	-0.3	0.3	V
Analog input voltage to AGND <sup>(2)</sup>	-15	15	V
Digital input to DGND	-0.3	DVDD + 0.3	V
REFIN to AGND	-0.3	AVDD + 0.3	V
Input current to any pin except supplies <sup>(2)</sup>	-10	10	mA
Temperature	Operating	-40	125
	Junction, $T_J$		150
	Storage, $T_{\text{stg}}$	-65	150

(1) Stresses beyond those listed under *Absolute Maximum Ratings* may cause permanent damage to the device. These are stress ratings only, which do not imply functional operation of the device at these or any other conditions beyond those indicated under *Recommended Operating Conditions*. Exposure to absolute-maximum-rated conditions for extended periods may affect device reliability.

(2) Transient currents of up to 100 mA do not cause SCR latch-up.

## 7.2 ESD Ratings

			VALUE	UNIT	
V <sub>(ESD)</sub>	Electrostatic discharge	Human-body model (HBM), per ANSI/ESDA/JEDEC JS-001 <sup>(1)</sup>	All pins except analog inputs	±2000	V
			Analog input pins only	±7000	
		Charged-device model (CDM), per JEDEC specification JESD22-C101 <sup>(2)</sup>	All pins	±500	

(1) JEDEC document JEP155 states that 500-V HBM allows safe manufacturing with a standard ESD control process.

(2) JEDEC document JEP157 states that 250-V CDM allows safe manufacturing with a standard ESD control process.

## 7.3 Recommended Operating Conditions

over operating free-air temperature range (unless otherwise noted)

		MIN	NOM	MAX	UNIT
AVDD	Analog supply voltage	4.75	5	5.25	V
DVDD	Digital supply voltage	2.3	3.3	AVDD	V

## 7.4 Thermal Information

THERMAL METRIC <sup>(1)</sup>		ADS8588S	UNIT
		PM (LQFP)	
		64 PINS	
R <sub>θJA</sub>	Junction-to-ambient thermal resistance	46.0	°C/W
R <sub>θJC(top)</sub>	Junction-to-case (top) thermal resistance	7.8	°C/W
R <sub>θJB</sub>	Junction-to-board thermal resistance	20.1	°C/W
ψ <sub>JT</sub>	Junction-to-top characterization parameter	0.3	°C/W
ψ <sub>JB</sub>	Junction-to-board characterization parameter	19.6	°C/W
R <sub>θJC(bot)</sub>	Junction-to-case (bottom) thermal resistance	N/A	°C/W

(1) For more information about traditional and new thermal metrics, see the [Semiconductor and IC Package Thermal Metrics](#) application report.

## 7.5 Electrical Characteristics

minimum and maximum specifications are at  $T_A = -40^\circ\text{C}$  to  $+125^\circ\text{C}$ ,  $AVDD = 4.75\text{ V}$  to  $5.25\text{ V}$ ; typical specifications are at  $T_A = 25^\circ\text{C}$ ;  $AVDD = 5\text{ V}$ ,  $DVDD = 3\text{ V}$ ,  $V_{REF} = 2.5\text{ V}$  (internal), and  $f_{SAMPLE} = 200\text{ kSPS}$  (unless otherwise noted)

PARAMETER		TEST CONDITIONS	MIN	TYP	MAX	UNIT	TEST LEVEL <sup>(1)</sup>	
<b>ANALOG INPUTS</b>								
	Full-scale input span <sup>(2)</sup> (AIN_nP to AIN_nGND)	RANGE pin = 1	-10		10	V	A	
		RANGE pin = 0	-5		5		A	
AIN_nP	Operating input range, positive input	RANGE pin = 1	-10		10	V	A	
		RANGE pin = 0	-5		5		A	
AIN_nGND	Operating input range, negative input	All input ranges	-0.3	0	0.3	V	B	
R <sub>IN</sub>	Input impedance	At $T_A = 25^\circ\text{C}$	0.85	1	1.15	MΩ	B	
	Input impedance drift	All input ranges	-25	±7	25	ppm/°C	B	
I <sub>lkg(in)</sub>	Input leakage current	With voltage at AIN_nP = V <sub>IN</sub> , all input ranges	$(V_{IN} - 2) / R_{IN}$			μA	A	
<b>SYSTEM PERFORMANCE</b>								
	Resolution		16			Bits	A	
NMC	No missing codes		16			Bits	A	
DNL	Differential nonlinearity	All input ranges	-0.5	±0.35	0.5	LSB <sup>(3)</sup>	A	
INL	Integral nonlinearity <sup>(4)</sup>	All input ranges	-1.5	±0.45	1.5	LSB	A	
E <sub>G</sub>	Gain error <sup>(5)</sup>	All input ranges, external reference	$T_A = -40^\circ\text{C}$ to $+85^\circ\text{C}$	-64	±4	64	LSB	A
			$T_A = -40^\circ\text{C}$ to $+125^\circ\text{C}$	-64	±4	96		A
		All input ranges, internal reference			±4		A	
	Gain error matching (channel-to-channel)	Input range = ±10 V, external and internal reference		10	60	LSB	A	
		Input range = ±5 V, external and internal reference		12	60		A	
	Gain error temperature drift	All input ranges, external reference	-14	±6	14	ppm/°C	B	
		All input ranges, internal reference		±10			B	
E <sub>O</sub>	Offset error	Input range = ±10 V	-1.8	±0.15	1.8	mV	B	
		Input range = ±5 V	-1.8	±0.15	1.8		B	
	Offset error matching (channel-to-channel)	All input ranges		0.3	2.4	mV	B	
	Offset error temperature drift	All input ranges	-3	±0.3	3	ppm/°C	B	
<b>SAMPLING DYNAMICS</b>								
t <sub>ACQ</sub>	Acquisition time		1			μs	A	
f <sub>S</sub>	Maximum throughput rate per channel without latency	All eight channels included				200	kSPS	A

- (1) Test Levels: **(A)** Tested at final test. Overtemperature limits are set by characterization and simulation. **(B)** Limits set by characterization and simulation, across temperature range. **(C)** Typical value only for information, provided by design simulation.
- (2) Ideal input span, does not include gain or offset error.
- (3) LSB = least significant bit.
- (4) This parameter is the endpoint INL, not best-fit INL.
- (5) Gain error is calculated after adjusting for offset error, which implies that positive full-scale error = negative full-scale error = gain error ÷ 2.



## Electrical Characteristics (continued)

minimum and maximum specifications are at  $T_A = -40^\circ\text{C}$  to  $+125^\circ\text{C}$ ,  $AVDD = 4.75\text{ V}$  to  $5.25\text{ V}$ ; typical specifications are at  $T_A = 25^\circ\text{C}$ ;  $AVDD = 5\text{ V}$ ,  $DVDD = 3\text{ V}$ ,  $V_{REF} = 2.5\text{ V}$  (internal), and  $f_{SAMPLE} = 200\text{ kSPS}$  (unless otherwise noted)

PARAMETER		TEST CONDITIONS	MIN	TYP	MAX	UNIT	TEST LEVEL <sup>(1)</sup>
<b>DYNAMIC CHARACTERISTICS</b>							
SNR	Signal-to-noise ratio, no oversampling ( $V_{IN} = 0.5\text{ dBFS}$ at $1\text{ kHz}$ )	Input range = $\pm 10\text{ V}$	91	92.7		dB	A
		Input range = $\pm 5\text{ V}$	90.4	92.2			A
SNR <sub>OSR</sub>	Signal-to-noise ratio, oversampling = $16\times$ ( $V_{IN} = 0.5\text{ dBFS}$ at $130\text{ Hz}$ )	Input range = $\pm 10\text{ V}$	95.5	96.4		dB	A
		Input range = $\pm 5\text{ V}$	94.4	95.5			A
THD	Total harmonic distortion <sup>(6)</sup> ( $V_{IN} = 0.5\text{ dBFS}$ at $1\text{ kHz}$ )	All input ranges		-114	-95	dB	B
SINAD	Signal-to-noise + distortion ratio, no oversampling ( $V_{IN} = 0.5\text{ dBFS}$ at $1\text{ kHz}$ )	Input range = $\pm 10\text{ V}$	90.7	92.7		dB	A
		Input range = $\pm 5\text{ V}$	90.2	92.1			A
SINAD <sub>OSR</sub>	Signal-to-noise + distortion ratio, oversampling = $16\times$ ( $V_{IN} = 0.5\text{ dBFS}$ at $130\text{ Hz}$ )	Input range = $\pm 10\text{ V}$	95	96.4		dB	A
		Input range = $\pm 5\text{ V}$	94	95.4			A
SFDR	Spurious-free dynamic range ( $V_{IN} = 0.5\text{ dBFS}$ at $1\text{ kHz}$ )	All input ranges		-118		dB	B
	Crosstalk isolation <sup>(7)</sup>			-95		dB	A
BW <sub>(-3 dB)</sub>	Small-signal bandwidth	-3 dB	At $T_A = 25^\circ\text{C}$ , input range = $\pm 10\text{ V}$		24	kHz	B
			At $T_A = 25^\circ\text{C}$ , input range = $\pm 5\text{ V}$		16		B
-0.1 dB		At $T_A = 25^\circ\text{C}$ , input range = $\pm 10\text{ V}$		14	kHz	B	
		At $T_A = 25^\circ\text{C}$ , input range = $\pm 5\text{ V}$		9.5		B	
t <sub>GROUP</sub>	Group delay	Input range = $\pm 10\text{ V}$		13	μs	C	
		Input range = $\pm 5\text{ V}$		19		C	
<b>INTERNAL REFERENCE OUTPUT (REFSEL = 1)</b>							
V <sub>REF</sub> <sup>(8)</sup>	Voltage on the REF <sub>IN</sub> /REF <sub>OUT</sub> pin (configured as output)	At $T_A = 25^\circ\text{C}$	2.4975	2.5	2.5025	V	A
	Internal reference temperature drift			7.5		ppm/°C	B
C <sub>(REF<sub>IN</sub>_REF<sub>OUT</sub>)</sub>	Decoupling capacitor on REF <sub>IN</sub> /REF <sub>OUT</sub> <sup>(9)</sup>			10		μF	B
V <sub>(REFCAP)</sub>	Reference voltage to the ADC (on the REFCAP <sub>A</sub> , REFCAP <sub>B</sub> pin)	At $T_A = 25^\circ\text{C}$	3.996	4.0	4.004	V	A
	Reference buffer output impedance			0.5	1	Ω	C
	Reference buffer output temperature drift			5		ppm/°C	B
C <sub>(REFCAP)</sub>	Decoupling capacitor on REFCAP <sub>A</sub> , REFCAP <sub>B</sub>			10		μF	B
	Turn-on time	C <sub>(REFCAP)</sub> = $10\text{ μF}$ , C <sub>(REF<sub>IN</sub>_REF<sub>OUT</sub>)</sub> = $10\text{ μF}$		25		ms	B
<b>EXTERNAL REFERENCE INPUT (REFSEL = 0)</b>							
V <sub>REFIO_EXT</sub>	External reference voltage on REF <sub>IO</sub> (configured as input)		2.475	2.5	2.525	V	B
	Reference input impedance			100		MΩ	C
	Reference input capacitance			10		pF	C

(6) Calculated on the first nine harmonics of the input frequency.

(7) Isolation crosstalk is measured by applying a full-scale sinusoidal signal up to  $160\text{ kHz}$  to a channel, not selected in the multiplexing sequence, and measuring the effect on the output of any selected channel.

(8) Does not include the variation in voltage resulting from solder shift effects.

(9) Recommended to use an X7R-grade, 0603-size ceramic capacitor for optimum performance (see the [Layout Guidelines](#) section).

**Electrical Characteristics (continued)**

minimum and maximum specifications are at  $T_A = -40^\circ\text{C}$  to  $+125^\circ\text{C}$ ,  $AVDD = 4.75\text{ V}$  to  $5.25\text{ V}$ ; typical specifications are at  $T_A = 25^\circ\text{C}$ ;  $AVDD = 5\text{ V}$ ,  $DVDD = 3\text{ V}$ ,  $V_{REF} = 2.5\text{ V}$  (internal), and  $f_{\text{SAMPLE}} = 200\text{ kSPS}$  (unless otherwise noted)

PARAMETER		TEST CONDITIONS	MIN	TYP	MAX	UNIT	TEST LEVEL <sup>(1)</sup>
<b>POWER-SUPPLY REQUIREMENTS</b>							
AVDD	Analog power-supply voltage	Analog supply	4.75	5	5.25	V	A
DVDD	Digital power-supply voltage	Digital supply range	2.3	3.3	AVDD	V	A
I <sub>AVDD_DYN</sub>	Analog supply current (operational)	For ADS8588S, AVDD = 5 V, $f_S = 200\text{ kSPS}$ , internal reference		17.7	24.0	mA	A
		For ADS8588S, AVDD = 5 V, $f_S = 200\text{ kSPS}$ , external reference		17.1	24.0		A
I <sub>AVDD_STC</sub>	Analog supply current (static)	For ADS8588S, AVDD = 5 V, internal reference, device not converting		12.4	17.0	mA	A
		For ADS8588S, AVDD = 5 V, external reference, device not converting		12.0	17.0		A
I <sub>AVDD_STDBY</sub>	AVDD supply STANDBY current	At AVDD = 5 V, device in STDBY mode, internal reference		4.2	5.5	mA	A
		At AVDD = 5 V, device in STDBY mode, external reference		3.8	5.5		A
I <sub>AVDD_PWR_DN</sub>	AVDD supply power-down current	At AVDD = 5 V, device in PWR_DN, internal or external reference, $T_A = -40^\circ\text{C}$ to $+85^\circ\text{C}$		0.2	6	$\mu\text{A}$	A
I <sub>DVDD_DYN</sub>	Digital supply current	For ADS8588S, DVDD = 3.3 V, $f_S = 200\text{ kSPS}$		0.15	0.3	mA	A
I <sub>DVDD_STDBY</sub>	DVDD supply STANDBY current	At AVDD = 5 V, device in STDBY mode		0.05	1.5	$\mu\text{A}$	A
I <sub>DVDD_PWR-DN</sub>	DVDD supply power-down current	At AVDD = 5 V, device in PWR_DN mode		0.05	1.5	$\mu\text{A}$	A
<b>DIGITAL INPUTS (CMOS)</b>							
V <sub>IH</sub>	Digital high input voltage logic level	DVDD > 2.3 V	$0.7 \times DVDD$		DVDD + 0.3	V	A
V <sub>IL</sub>	Digital low input voltage logic level	DVDD > 2.3 V	-0.3		$0.3 \times DVDD$	V	A
	Input leakage current			100		nA	A
	Input pin capacitance			5		pF	A
<b>DIGITAL OUTPUTS (CMOS)</b>							
V <sub>OH</sub>	Digital high output voltage logic level	I <sub>O</sub> = 100- $\mu\text{A}$ source	$0.8 \times DVDD$		DVDD	V	A
V <sub>OL</sub>	Digital low output voltage logic level	I <sub>O</sub> = 100- $\mu\text{A}$ sink	0		$0.2 \times DVDD$	V	A
	Floating state leakage current	Only for SDO		1		$\mu\text{A}$	A
	Internal pin capacitance			5		pF	A
<b>TEMPERATURE RANGE</b>							
T <sub>A</sub>	Operating free-air temperature		-40		125	$^\circ\text{C}$	A

## 7.6 Timing Requirements: CONVST Control

minimum and maximum specifications are at  $T_A = -40^\circ\text{C}$  to  $+125^\circ\text{C}$ , typical specifications are at  $T_A = 25^\circ\text{C}$ ;  $AVDD = 5\text{ V}$ ,  $2.3\text{ V} \leq DVDD \leq 5.25\text{ V}$ ,  $V_{REF} = 2.5\text{ V}$  (internal),  $BUSY$  load =  $20\text{ pF}$ ,  $V_{IL}$  and  $V_{IH}$  at datasheet limits, and  $f_{SAMPLE} = 200\text{ kSPS}$  (unless otherwise noted) (see [Figure 1](#))

		MIN	NOM	MAX	UNIT
$t_{ACQ}$	Acquisition time: BUSY falling edge to rising edge of trailing CONVSTA or CONVSTB	1			$\mu\text{s}$
$t_{PH\_CN}$	CONVSTA, CONVSTB pulse high time	25			ns
$t_{PL\_CN}$	CONVSTA, CONVSTB pulse low time	25			ns
$t_{SU\_BSYCS}$	Setup time: BUSY falling to $\overline{CS}$ falling	0			ns
$t_{SU\_RSTCN}$	Setup time: RESET falling to first rising edge of CONVSTA or CONVSTB	25			ns
$t_{PH\_RST}$	RESET pulse high time	50			ns
$t_{D\_CNAB}$	Delay between rising edges of CONVSTA and CONVSTB			500	$\mu\text{s}$

## 7.7 Timing Requirements: Data Read Operation

minimum and maximum specifications are at  $T_A = -40^\circ\text{C}$  to  $+125^\circ\text{C}$ , typical specifications are at  $T_A = 25^\circ\text{C}$ ;  $AVDD = 5\text{ V}$ ,  $2.3\text{ V} \leq DVDD \leq 5.25\text{ V}$ ,  $V_{REF} = 2.5\text{ V}$  (internal),  $BUSY$  load =  $20\text{ pF}$ ,  $V_{IL}$  and  $V_{IH}$  at datasheet limits, and  $f_{SAMPLE} = 200\text{ kSPS}$  (unless otherwise noted) (see [Figure 2](#))

		MIN	NOM	MAX	UNIT
$t_{DZ\_CNCS}$	Delay between CONVSTA, CONVSTB rising edge to $\overline{CS}$ falling edge, start of data read operation during conversion	10			ns
$t_{DZ\_CSBSY}$	Delay between $\overline{CS}$ rising edge to BUSY falling edge, end of data read operation during conversion	40			ns
$t_{SU\_BSYCS}$	Setup time: BUSY falling edge to $\overline{CS}$ falling edge, start of data read operation after conversion	0			ns
$t_{D\_CSCN}$	Delay between $\overline{CS}$ rising edge to CONVSTA, CONVSTB rising edge, end of data read operation after conversion	10			ns

## 7.8 Timing Requirements: Parallel Data Read Operation, $\overline{CS}$ and $\overline{RD}$ Tied Together

minimum and maximum specifications are at  $T_A = -40^\circ\text{C}$  to  $+125^\circ\text{C}$ , typical specifications are at  $T_A = 25^\circ\text{C}$ ;  $AVDD = 5\text{ V}$ ,  $2.3\text{ V} \leq DVDD \leq 5.25\text{ V}$ ,  $V_{REF} = 2.5\text{ V}$  (internal), load on  $DB[15:0]$  and  $FRSTDATA = 20\text{ pF}$ ,  $V_{IL}$  and  $V_{IH}$  at datasheet limits, and  $f_{SAMPLE} = 200\text{ kSPS}$  (unless otherwise noted) (see [Figure 3](#))

		MIN	NOM	MAX	UNIT
$t_{PH\_CS}$ , $t_{PH\_RD}$	$\overline{CS}$ and $\overline{RD}$ high time	15			ns
$t_{PL\_CS}$ , $t_{PL\_RD}$	$\overline{CS}$ and $\overline{RD}$ low time	15			ns
$t_{HT\_Rddb}$ , $t_{HT\_CSDB}$	Hold time: $\overline{RD}$ and $\overline{CS}$ rising edge to $DB[15:0]$ invalid	2.5			ns

## 7.9 Timing Requirements: Parallel Data Read Operation, $\overline{CS}$ and $\overline{RD}$ Separate

minimum and maximum specifications are at  $T_A = -40^\circ\text{C}$  to  $+125^\circ\text{C}$ , typical specifications are at  $T_A = 25^\circ\text{C}$ ;  $AVDD = 5\text{ V}$ ,  $2.3\text{ V} \leq DVDD \leq 5.25\text{ V}$ ,  $V_{REF} = 2.5\text{ V}$  (internal), load on  $DB[15:0]$  and  $FRSTDATA = 20\text{ pF}$ ,  $V_{IL}$  and  $V_{IH}$  at datasheet limits, and  $f_{SAMPLE} = 200\text{ kSPS}$  (unless otherwise noted) (see [Figure 4](#))

		MIN	NOM	MAX	UNIT
$t_{SU\_CSR D}$	Setup time: $\overline{CS}$ falling edge to $\overline{RD}$ falling edge	0			ns
$t_{HT\_RD C S}$	Hold time: $\overline{RD}$ rising edge to $\overline{CS}$ rising edge	0			ns
$t_{PL\_RD}$	$\overline{RD}$ low time	15			ns
$t_{PH\_RD}$	$\overline{RD}$ high time	15			ns
$t_{HT\_C S D B}$	Hold time: $\overline{CS}$ rising edge to $DB[15:0]$ becoming invalid	6			ns
$t_{HT\_R D D B}$	Hold time: $\overline{RD}$ rising edge to $DB[15:0]$ becoming invalid	2.5			ns

## 7.10 Timing Requirements: Serial Data Read Operation

minimum and maximum specifications are at  $T_A = -40^\circ\text{C}$  to  $+125^\circ\text{C}$ , typical specifications are at  $T_A = 25^\circ\text{C}$ ;  $AVDD = 5\text{ V}$ ,  $2.3\text{ V} \leq DVDD \leq 5.25\text{ V}$ ,  $V_{REF} = 2.5\text{ V}$  (internal), load on  $DOUTA$ ,  $DOUTB$ , and  $FRSTDATA = 20\text{ pF}$ ,  $V_{IL}$  and  $V_{IH}$  at datasheet limits, and  $f_{SAMPLE} = 200\text{ kSPS}$  (unless otherwise noted) (see [Figure 5](#))

		MIN	NOM	MAX	UNIT
$t_{SCLK}$	SCLK time period	50			ns
$t_{PH\_SCLK}$	SCLK high time	0.45		0.55	$t_{SCLK}$
$t_{PL\_SCLK}$	SCLK low time	0.45		0.55	$t_{SCLK}$
$t_{HT\_CK D O}$	Hold time: SCLK rising edge to $DOUTA$ , $DOUTB$ invalid	7			ns
$t_{SU\_C S C K}$	Setup time: $\overline{CS}$ falling to first SCLK edge	8			ns
$t_{HT\_C K C S}$	Hold time: last SCLK active edge to $\overline{CS}$ high	10			ns

## 7.11 Timing Requirements: Byte Mode Data Read Operation

minimum and maximum specifications are at  $T_A = -40^\circ\text{C}$  to  $+125^\circ\text{C}$ , typical specifications are at  $T_A = 25^\circ\text{C}$ ;  $AVDD = 5\text{ V}$ ,  $2.3\text{ V} \leq DVDD \leq 5.25\text{ V}$ ,  $V_{REF} = 2.5\text{ V}$  (internal), load on  $DB[7:0]$  and  $FRSTDATA = 20\text{ pF}$ ,  $V_{IL}$  and  $V_{IH}$  at datasheet limits, and  $f_{SAMPLE} = 200\text{ kSPS}$  (unless otherwise noted) (see [Figure 6](#))

		MIN	NOM	MAX	UNIT
$t_{SU\_CSR D}$	Setup time: $\overline{CS}$ falling edge to $\overline{RD}$ falling edge	0			ns
$t_{HT\_RD C S}$	Hold time: $\overline{RD}$ rising edge to $\overline{CS}$ rising edge	0			ns
$t_{PL\_RD}$	$\overline{RD}$ low time	15			ns
$t_{PH\_RD}$	$\overline{RD}$ high time	15			ns
$t_{HT\_C S D B}$	Hold time: $\overline{CS}$ rising edge to $DB[15:0]$ becoming invalid	6			ns
$t_{HT\_R D D B}$	Hold time: $\overline{RD}$ rising edge to $DB[15:0]$ becoming invalid	2.5			ns

## 7.12 Timing Requirements: Oversampling Mode

		MIN	NOM	MAX	UNIT
$t_{HT\_O S}$	Hold time: $BUSY$ falling to $OSx$	20			ns
$t_{SU\_O S}$	Setup time: $BUSY$ falling to $OSx$	20			ns

## 7.13 Timing Requirements: Exit Standby Mode

minimum and maximum specifications are at  $T_A = -40^\circ\text{C}$  to  $+125^\circ\text{C}$ , typical specifications are at  $T_A = 25^\circ\text{C}$ ,  $AVDD = 5\text{ V}$ ,  $2.3\text{ V} \leq DVDD \leq 5.25\text{ V}$ ,  $V_{REF} = 2.5\text{ V}$  (internal),  $V_{IL}$  and  $V_{IH}$  at datasheet limits, and  $f_{SAMPLE} = 200\text{ kSPS}$  (unless otherwise noted) (see [Figure 8](#))

		MIN	NOM	MAX	UNIT
$t_{D\_S T B Y C N}$	Delay between $\overline{STBY}$ rising edge to $CONVSTA$ or $CONVSTB$ rising edge <sup>(1)</sup>	100			$\mu\text{s}$

(1) First conversion data must be discarded or RESET must be issued if the maximum timing is exceeded.

### 7.14 Timing Requirements: Exit Shutdown Mode

minimum and maximum specifications are at  $T_A = -40^\circ\text{C}$  to  $+125^\circ\text{C}$ , typical specifications are at  $T_A = 25^\circ\text{C}$ ;  $\text{AVDD} = 5\text{ V}$ ,  $2.3\text{ V} \leq \text{DVDD} \leq 5.25\text{ V}$ ,  $V_{\text{REF}} = 2.5\text{ V}$  (internal),  $V_{\text{IL}}$  and  $V_{\text{IH}}$  at datasheet limits, and  $f_{\text{SAMPLE}} = 200\text{ kSPS}$  (unless otherwise noted) (see Figure 9)

		MIN	NOM	MAX	UNIT
$t_{\text{D\_SDRST}}$	Delay between $\overline{\text{STBY}}$ rising edge to RESET rising edge	Internal reference mode	50		ms
		External reference mode <sup>(1)</sup>	13		
$t_{\text{PH\_RST}}$	RESET high time	50			ns
$t_{\text{D\_RSTCN}}$	Delay between RESET falling edge to CONVSTA or CONVSTB rising edge	25			$\mu\text{s}$

(1) Excludes wake-up time for external reference device.

### 7.15 Switching Characteristics: CONVST Control

minimum and maximum specifications are at  $T_A = -40^\circ\text{C}$  to  $+125^\circ\text{C}$ , typical specifications are at  $T_A = 25^\circ\text{C}$ ;  $\text{AVDD} = 5\text{ V}$ ,  $2.3\text{ V} \leq \text{DVDD} \leq 5.25\text{ V}$ ,  $V_{\text{REF}} = 2.5\text{ V}$  (internal),  $\text{BUSY}$  load = 20 pF,  $V_{\text{IL}}$  and  $V_{\text{IH}}$  at datasheet limits, and  $f_{\text{SAMPLE}} = 200\text{ kSPS}$  (unless otherwise noted) (see Figure 1)

PARAMETER	TEST CONDITIONS	MIN	TYP	MAX	UNIT	
$t_{\text{CYC}}$	ADC cycle time period	No oversampling, parallel read, serial read with both DOUTA and DOUTB during conversion	5		$\mu\text{s}$	
		No oversampling, serial read after conversion with both DOUTA and DOUTB	9.7			
		No oversampling, serial read after conversion with only DOUTA or DOUTB	15			
$t_{\text{CONV}}$	Conversion time: BUSY high time	No oversampling	3.7	3.8	3.9	$\mu\text{s}$
		Oversampling by 2	8.4		8.8	
		Oversampling by 4	17.5		18.5	
		Oversampling by 8	36		38	
		Oversampling by 16	73		77	
		Oversampling by 32	148		155	
		Oversampling by 64	298		311	
$t_{\text{D\_CNBSY}}$	Delay between trailing rising edges of CONVSTA or CONVSTB and BUSY rising			15	ns	

### 7.16 Switching Characteristics: Parallel Data Read Operation, $\overline{\text{CS}}$ and $\overline{\text{RD}}$ Tied Together

minimum and maximum specifications are at  $T_A = -40^\circ\text{C}$  to  $+125^\circ\text{C}$ , typical specifications are at  $T_A = 25^\circ\text{C}$ ;  $\text{AVDD} = 5\text{ V}$ ,  $2.3\text{ V} \leq \text{DVDD} \leq 5.25\text{ V}$ ,  $V_{\text{REF}} = 2.5\text{ V}$  (internal), load on DB[15:0] and FRSTDATA = 20 pF,  $V_{\text{IL}}$  and  $V_{\text{IH}}$  at datasheet limits, and  $f_{\text{SAMPLE}} = 200\text{ kSPS}$  (unless otherwise noted) (see Figure 3)

PARAMETER	TEST CONDITIONS	MIN	TYP	MAX	UNIT
$t_{\text{D\_CSDB}}$ , $t_{\text{D\_Rddb}}$	Delay time: $\overline{\text{CS}}$ and $\overline{\text{RD}}$ falling edge to DB[15:0] becoming valid (out of tri-state)			12	ns
$t_{\text{D\_CSFD}}$ , $t_{\text{D\_RDFD}}$	Delay time: $\overline{\text{CS}}$ and $\overline{\text{RD}}$ falling edge to FRSTDATA going high or low out of tri-state			10	ns
$t_{\text{DHz\_CSDB}}$ , $t_{\text{DHz\_Rddb}}$	Delay time: $\overline{\text{CS}}$ and $\overline{\text{RD}}$ rising edge to DB[15:0] tri-state			12	ns
$t_{\text{DHz\_CSFD}}$ , $t_{\text{DHz\_RDFD}}$	Delay time: $\overline{\text{CS}}$ and $\overline{\text{RD}}$ rising edge to FRSTDATA tri-state			10	ns

### 7.17 Switching Characteristics: Parallel Data Read Operation, $\overline{CS}$ and $\overline{RD}$ Separate

minimum and maximum specifications are at  $T_A = -40^\circ\text{C}$  to  $+125^\circ\text{C}$ , typical specifications are at  $T_A = 25^\circ\text{C}$ ;  $AVDD = 5\text{ V}$ ,  $2.3\text{ V} \leq DVDD \leq 5.25\text{ V}$ ,  $V_{REF} = 2.5\text{ V}$  (internal), load on  $DB[15:0]$  and  $FRSTDATA = 20\text{ pF}$ ,  $V_{IL}$  and  $V_{IH}$  at datasheet limits, and  $f_{SAMPLE} = 200\text{ kSPS}$  (unless otherwise noted) (see [Figure 4](#))

PARAMETER		TEST CONDITIONS	MIN	TYP	MAX	UNIT
$t_{D\_CSDB}$	Delay time: $\overline{CS}$ falling edge to $DB[15:0]$ becoming valid (out of tri-state)				12	ns
$t_{D\_RDDB}$	Delay time: $\overline{RD}$ falling edge to new data on $DB[15:0]$				17	ns
$t_{DHZ\_CSDB}$	Delay time: $\overline{CS}$ rising edge to $DB[15:0]$ becoming tri-state				12	ns
$t_{D\_CSFD}$	Delay time: $\overline{CS}$ falling edge to $FRSTDATA$ going low out of tri-state				15	ns
$t_{DHZ\_CSFD}$	Delay time: $\overline{CS}$ rising edge to $FRSTDATA$ going to tri-state				10	ns
$t_{D\_RDFD}$	Delay time: $\overline{RD}$ falling edge to $FRSTDATA$ going high or low				15	ns

### 7.18 Switching Characteristics: Serial Data Read Operation

minimum and maximum specifications are at  $T_A = -40^\circ\text{C}$  to  $+125^\circ\text{C}$ , typical specifications are at  $T_A = 25^\circ\text{C}$ ;  $AVDD = 5\text{ V}$ ,  $2.3\text{ V} \leq DVDD \leq 5.25\text{ V}$ ,  $V_{REF} = 2.5\text{ V}$  (internal), load on  $DOUTA$ ,  $DOUTB$ , and  $FRSTDATA = 20\text{ pF}$ ,  $V_{IL}$  and  $V_{IH}$  at datasheet limits, and  $f_{SAMPLE} = 200\text{ kSPS}$  (unless otherwise noted) (see [Figure 5](#))

PARAMETER		TEST CONDITIONS	MIN	TYP	MAX	UNIT
$t_{D\_CSDO}$	Delay time: $\overline{CS}$ falling edge to $DOUTA$ , $DOUTB$ enable (out of tri-state)				12	ns
$t_{D\_CKDO}$	Delay time: $SCLK$ rising edge to valid data on $DOUTA$ , $DOUTB$				15	ns
$t_{DZ\_CSDO}$	Delay time: $\overline{CS}$ rising edge to $DOUTA$ , $DOUTB$ going to tri-state				12	ns
$t_{D\_CSFD}$	Delay time: $\overline{CS}$ falling edge to $FRSTDATA$ from tri-state to high or low				10	ns
$t_{DZ\_CKFD}$	Delay time: 16th $SCLK$ falling edge to $FRSTDATA$ falling edge				15	ns
$t_{DHZ\_CSFD}$	Delay time: $\overline{CS}$ rising edge to $FRSTDATA$ going to tri-state				10	ns

### 7.19 Switching Characteristics: Byte Mode Data Read Operation

minimum and maximum specifications are at  $T_A = -40^\circ\text{C}$  to  $+125^\circ\text{C}$ , typical specifications are at  $T_A = 25^\circ\text{C}$ ;  $AVDD = 5\text{ V}$ ,  $2.3\text{ V} \leq DVDD \leq 5.25\text{ V}$ ,  $V_{REF} = 2.5\text{ V}$  (internal), load on  $DB[7:0]$  and  $FRSTDATA = 20\text{ pF}$ ,  $V_{IL}$  and  $V_{IH}$  at datasheet limits, and  $f_{SAMPLE} = 200\text{ kSPS}$  (unless otherwise noted) (see [Figure 6](#))

PARAMETER		TEST CONDITIONS	MIN	TYP	MAX	UNIT
$t_{D\_CSDB}$	Delay time: $\overline{CS}$ falling edge to $DB[7:0]$ becoming valid (out of tri-state)				12	ns
$t_{D\_RDDB}$	Delay time: $\overline{RD}$ falling edge to new data on $DB[7:0]$				17	ns
$t_{DHZ\_CSDB}$	Delay time: $\overline{CS}$ rising edge to $DB[7:0]$ becoming tri-state				12	ns
$t_{D\_CSFD}$	Delay time: $\overline{CS}$ falling edge to $FRSTDATA$ going low out of tri-state				10	ns
$t_{D\_RDFD}$	Delay time: $\overline{RD}$ falling edge to $FRSTDATA$ going low or high state				15	ns
$t_{DHZ\_CSFD}$	Delay time: $\overline{CS}$ rising edge to $FRSTDATA$ going to tri-state				10	ns

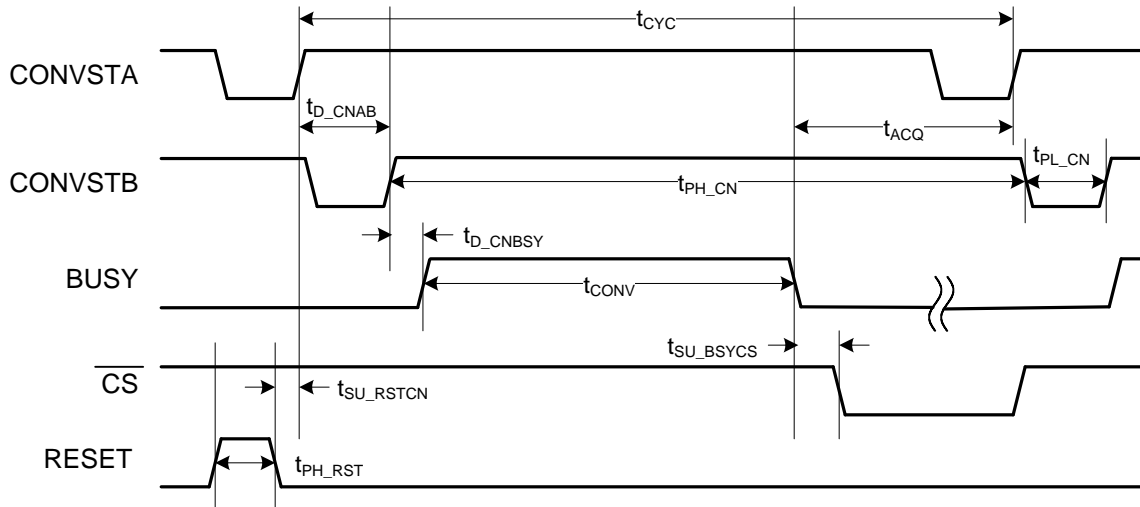


Figure 1. CONVST Control Timing Diagram

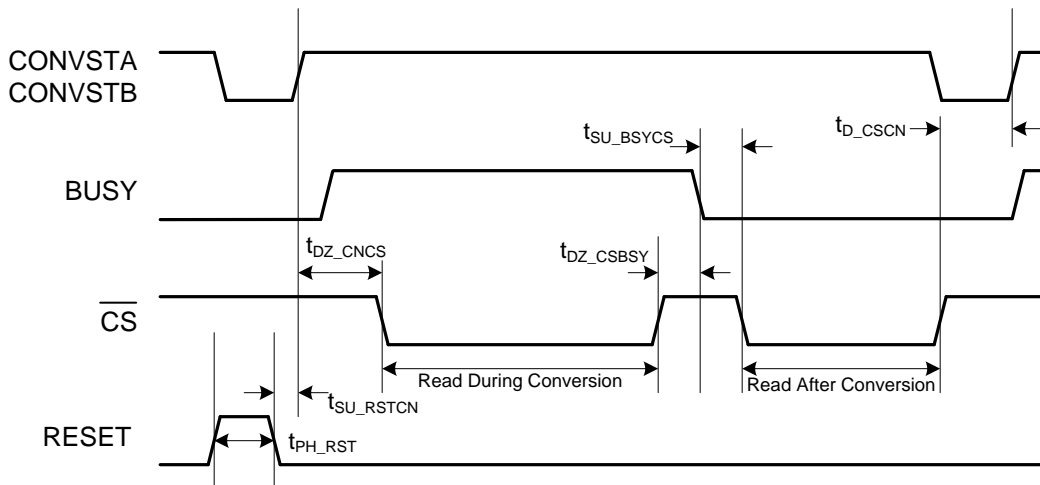


Figure 2. Data Read Operation Timing Diagram

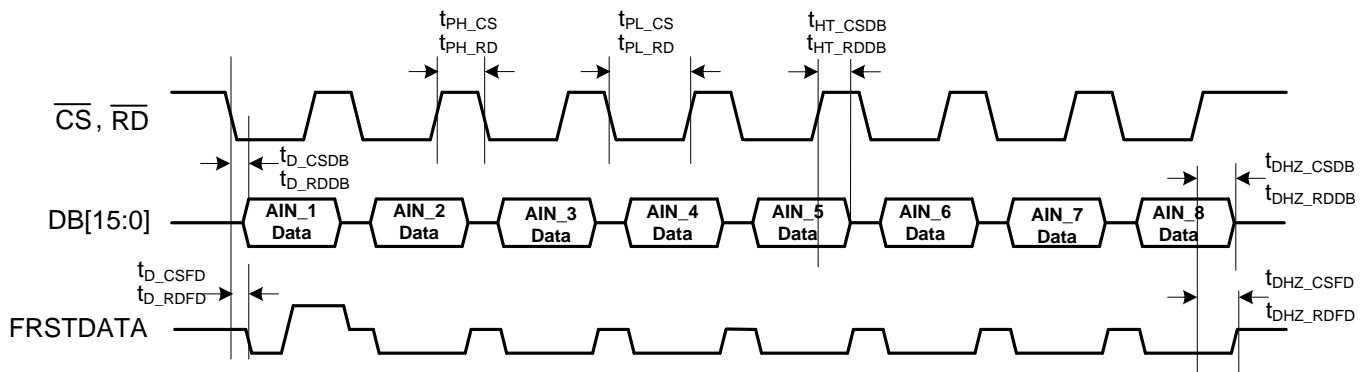


Figure 3. Parallel Data Read Operation,  $\overline{CS}$  and  $\overline{RD}$  Tied Together

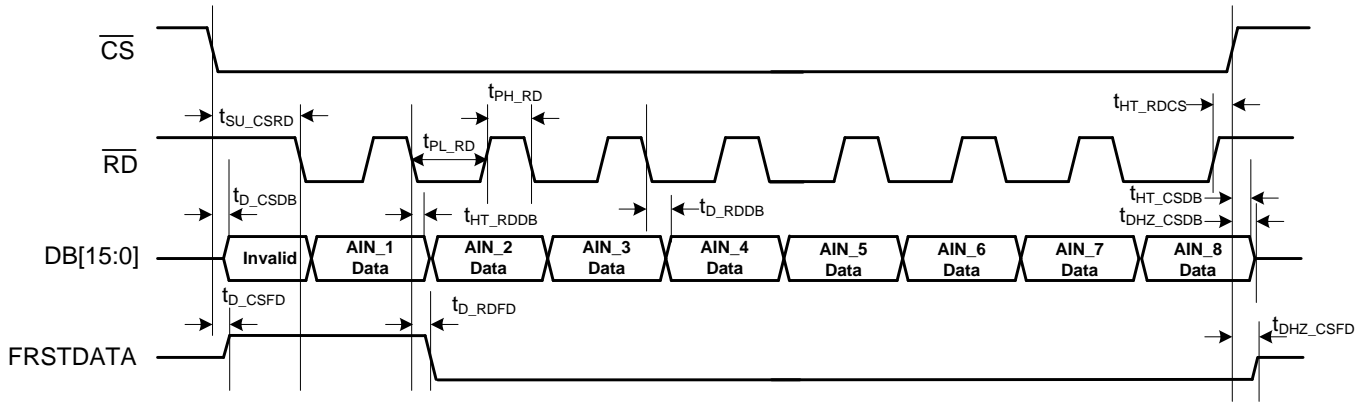


Figure 4. Parallel Data Read Operation,  $\overline{CS}$  and  $\overline{RD}$  Separate

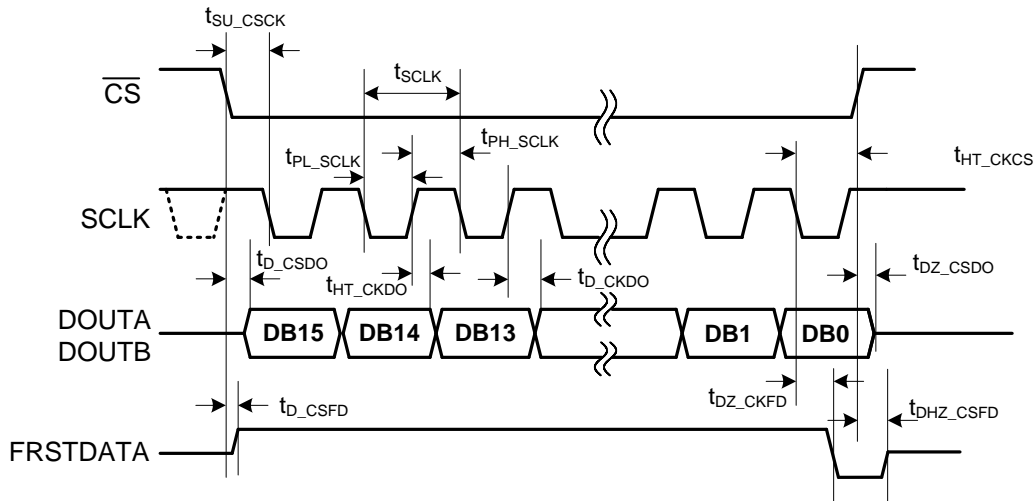


Figure 5. Serial Data Read Operation Timing Diagram

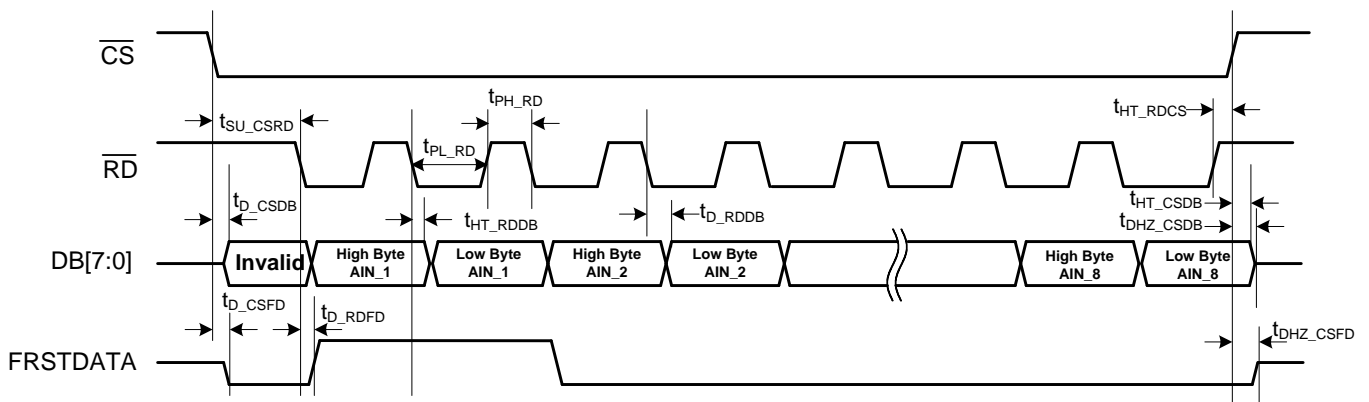


Figure 6. Byte Mode Data Read Operation Timing Diagram



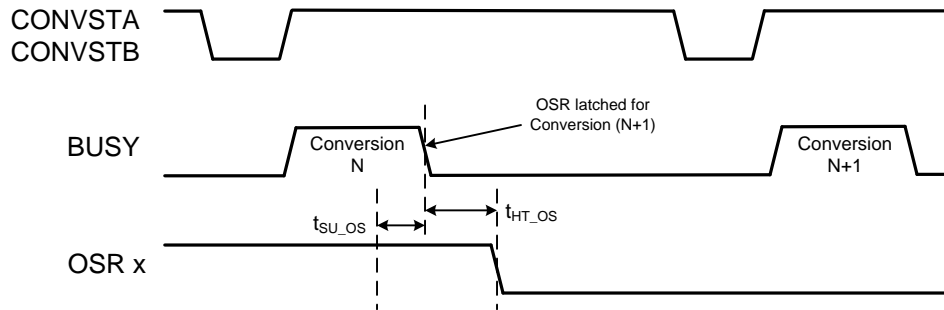


Figure 7. Oversampling Mode Timing Diagram

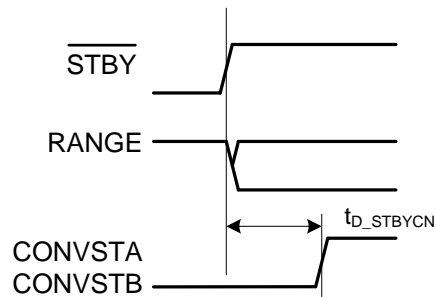


Figure 8. Exit Standby Mode Timing Diagram

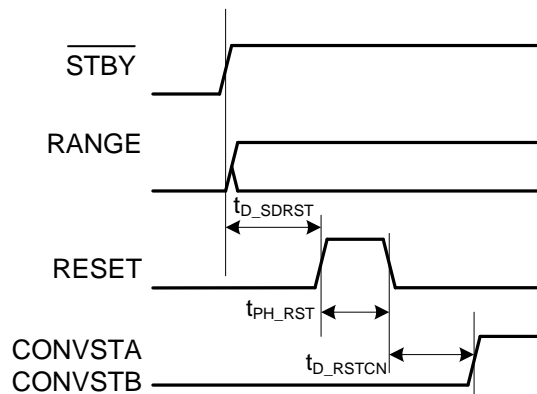


Figure 9. Exit Shutdown Mode Timing Diagram

### 7.20 Typical Characteristics

at  $T_A = 25^\circ\text{C}$ ,  $AVDD = 5\text{ V}$ ,  $DVDD = 3\text{ V}$ , internal reference  $V_{REF} = 2.5\text{ V}$ , and  $f_s = 200\text{ kSPS}$  per channel (unless otherwise noted)

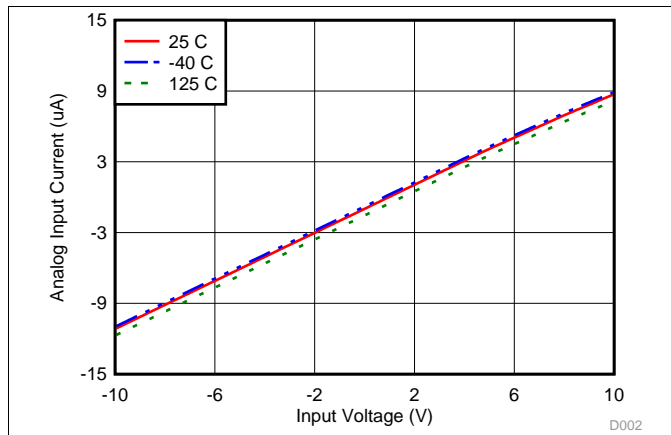


Figure 10. Analog Input Current vs Input Voltage Over Temperature ( $\pm 10\text{ V}$ )

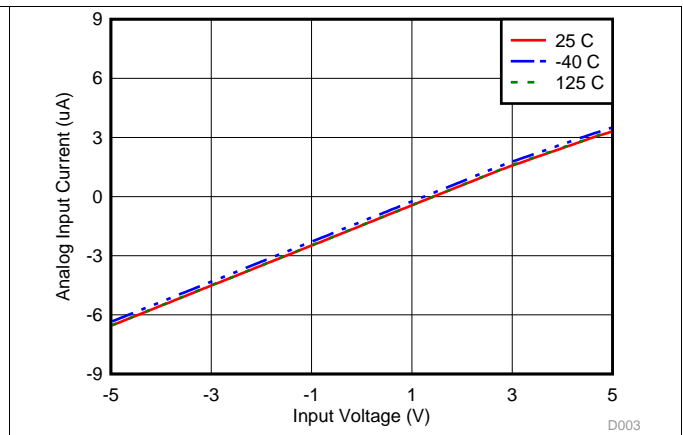


Figure 11. Analog Input Current vs Input Voltage Over Temperature ( $\pm 5\text{ V}$ )

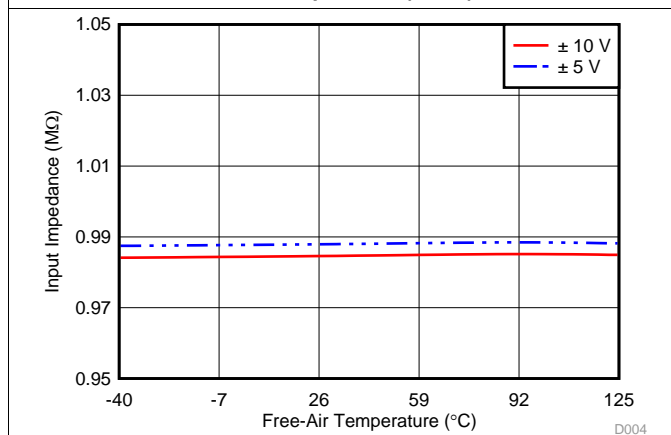


Figure 12. Input Impedance vs Temperature

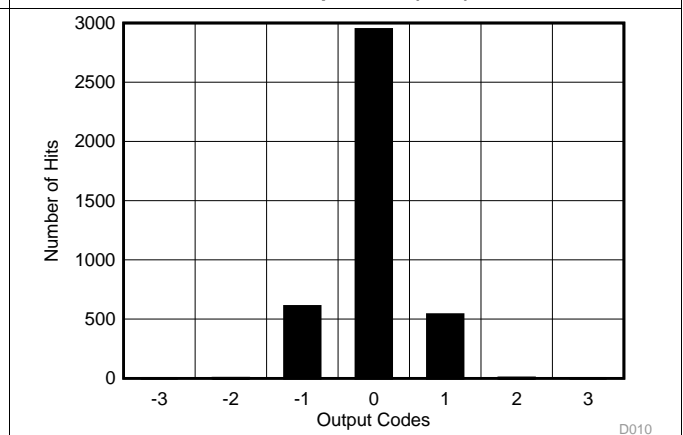


Figure 13. DC Histogram of Codes ( $\pm 10\text{ V}$ )

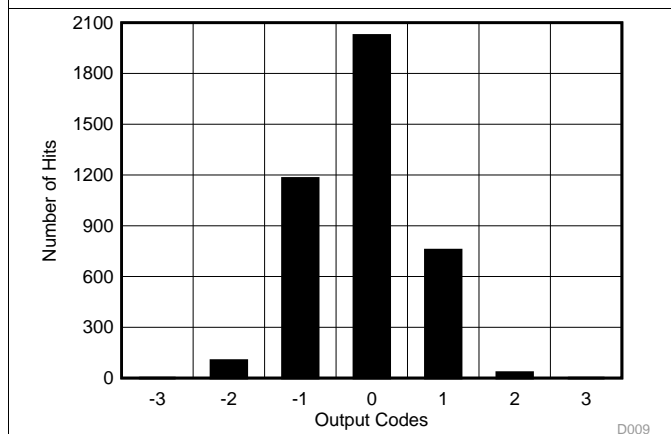


Figure 14. DC Histogram of Codes ( $\pm 5\text{ V}$ )

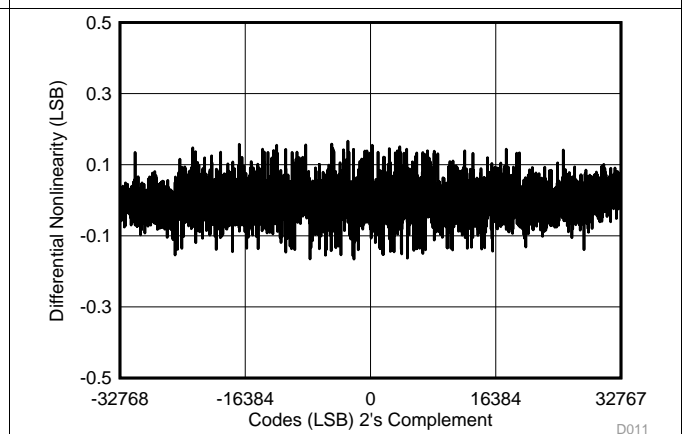
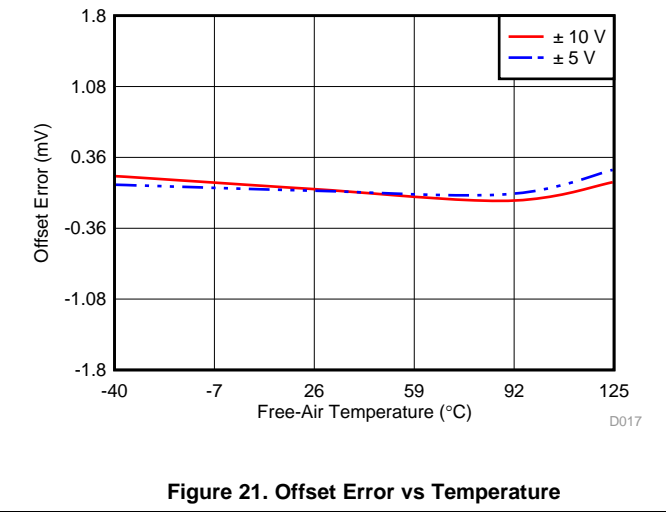
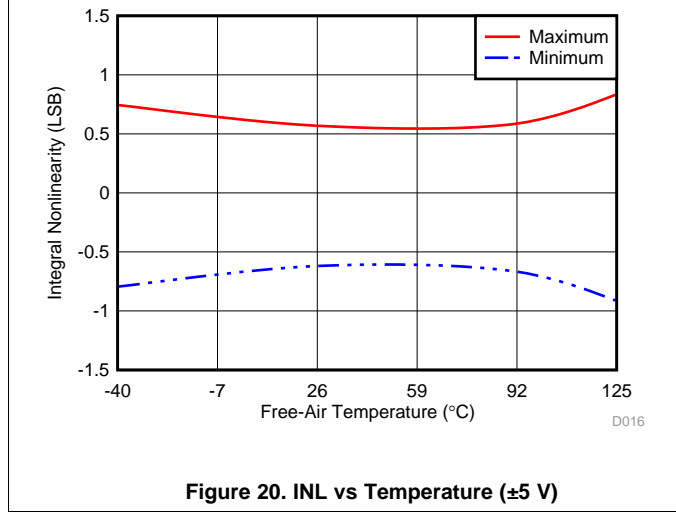
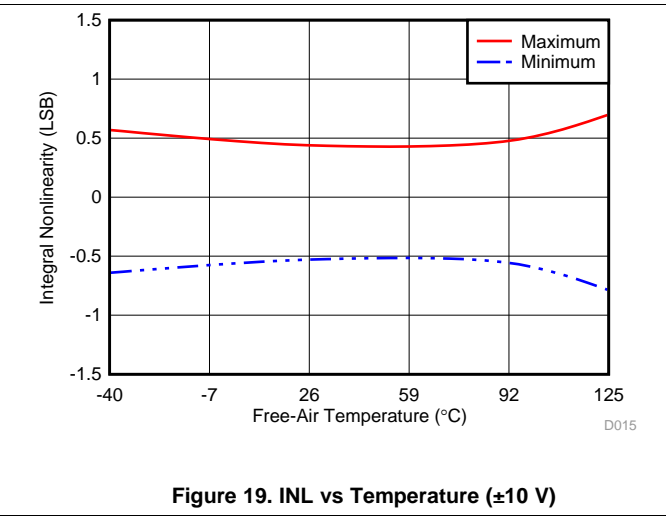
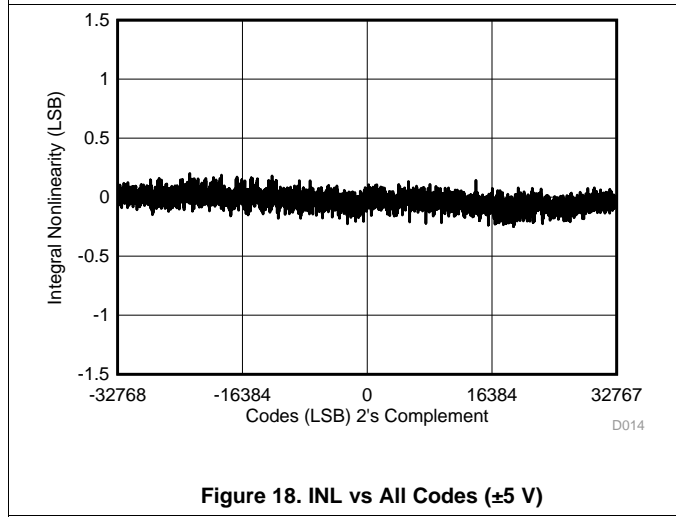
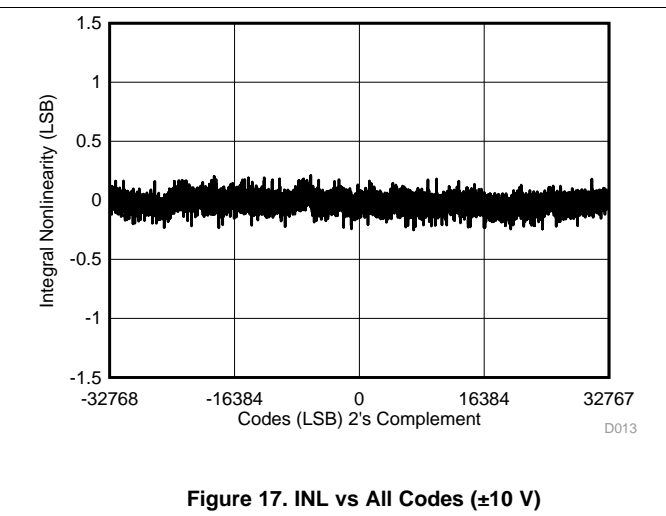
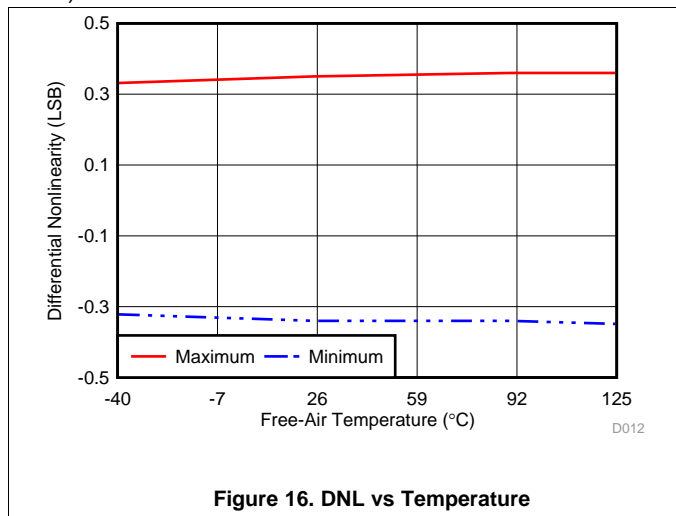


Figure 15. DNL for All Codes

Typical Characteristics (continued)

at  $T_A = 25^\circ\text{C}$ ,  $AVDD = 5\text{ V}$ ,  $DVDD = 3\text{ V}$ , internal reference  $V_{REF} = 2.5\text{ V}$ , and  $f_S = 200\text{ kSPS}$  per channel (unless otherwise noted)



### Typical Characteristics (continued)

at  $T_A = 25^\circ\text{C}$ ,  $AV_{DD} = 5\text{ V}$ ,  $DV_{DD} = 3\text{ V}$ , internal reference  $V_{REF} = 2.5\text{ V}$ , and  $f_S = 200\text{ kSPS}$  per channel (unless otherwise noted)

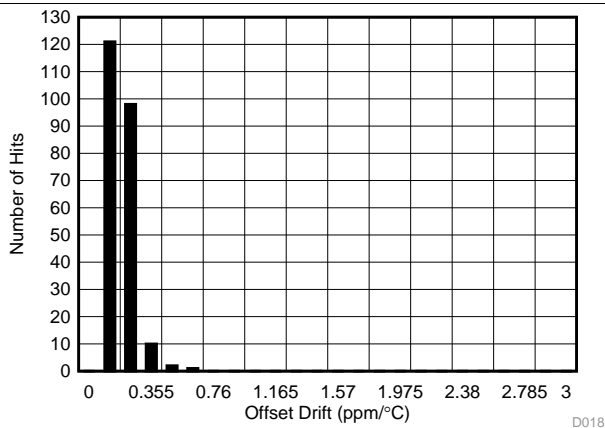


Figure 22. Offset Drift Histogram Distribution ( $\pm 10\text{ V}$ )

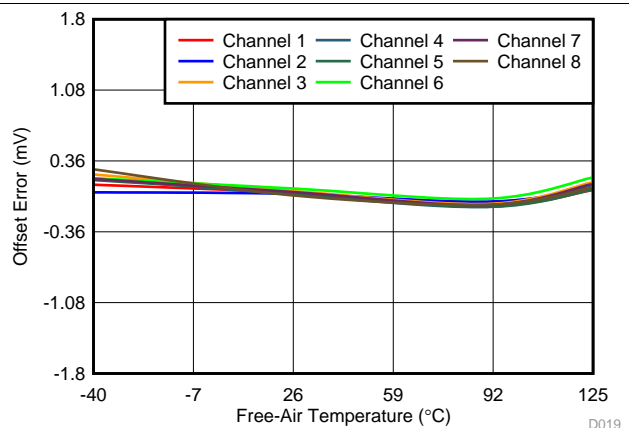


Figure 23. Offset Error Across Channels vs Temperature ( $\pm 10\text{ V}$ )

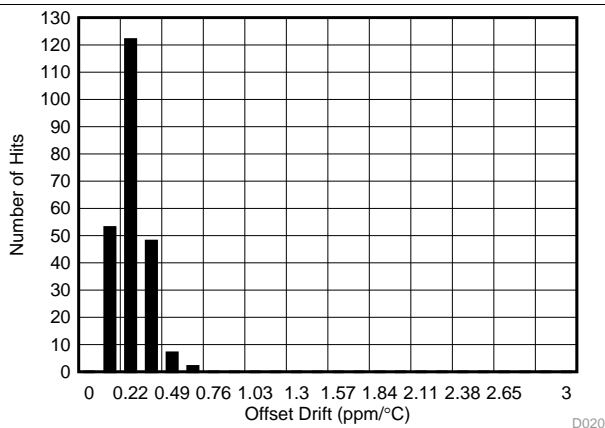


Figure 24. Offset Drift Histogram Distribution ( $\pm 5\text{ V}$ )

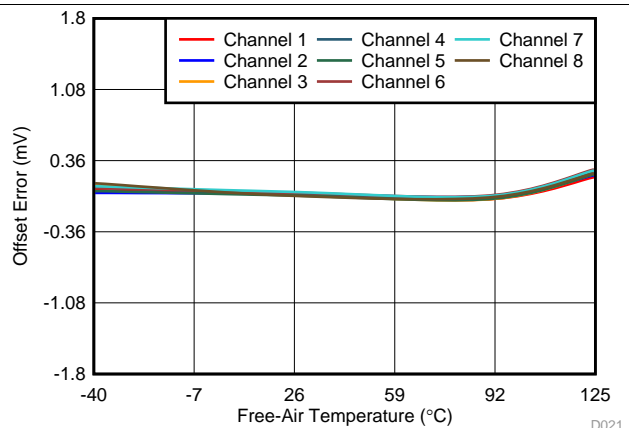


Figure 25. Offset Error Across Channels vs Temperature ( $\pm 5\text{ V}$ )

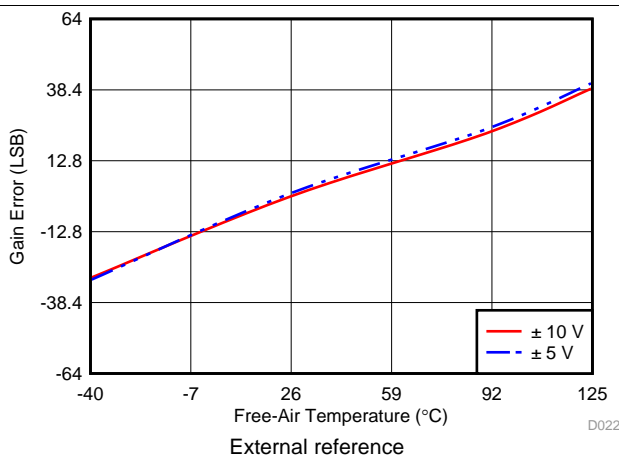


Figure 26. Gain Error vs Temperature

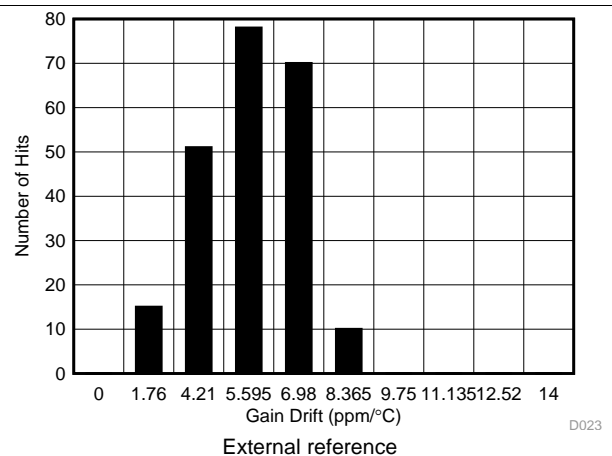


Figure 27. Gain Error Drift Histogram Distribution ( $\pm 10\text{ V}$ )

Typical Characteristics (continued)

at  $T_A = 25^\circ\text{C}$ ,  $AVDD = 5\text{ V}$ ,  $DVDD = 3\text{ V}$ , internal reference  $V_{REF} = 2.5\text{ V}$ , and  $f_S = 200\text{ kSPS}$  per channel (unless otherwise noted)

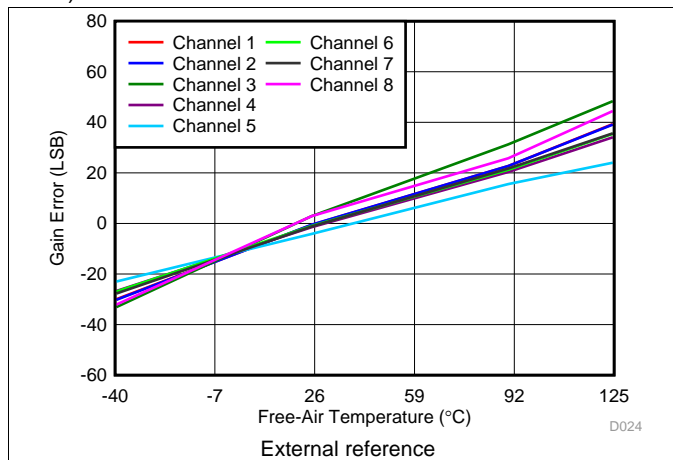


Figure 28. Gain Error Across Channels vs Temperature ( $\pm 10\text{ V}$ )

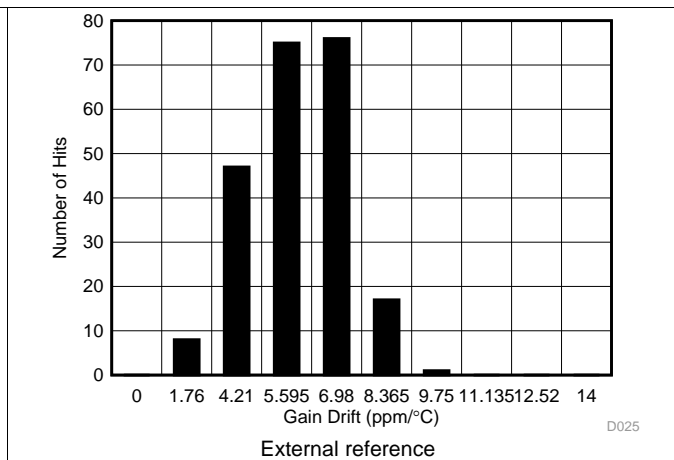


Figure 29. Gain Error Drift Histogram Distribution ( $\pm 5\text{ V}$ )

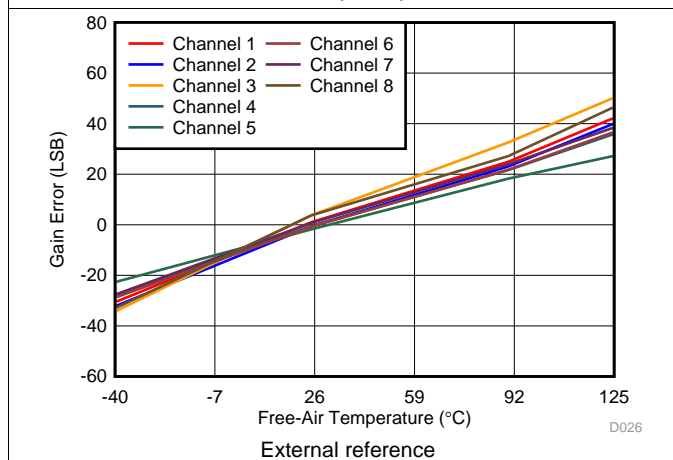


Figure 30. Gain Error Across Channels vs Temperature ( $\pm 5\text{ V}$ )

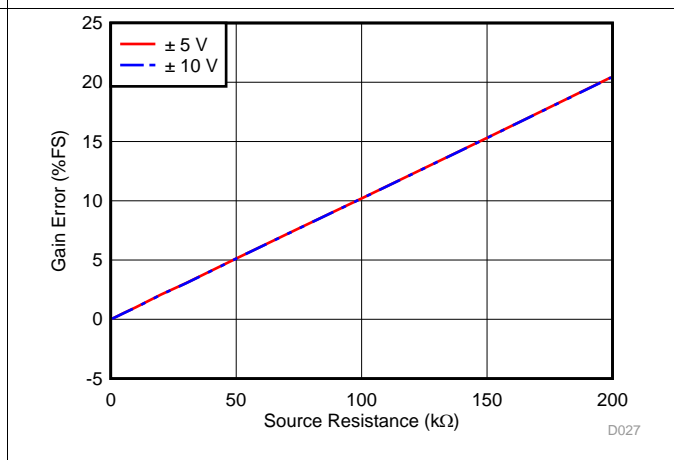


Figure 31. Gain Error as a Function of External Source Resistance

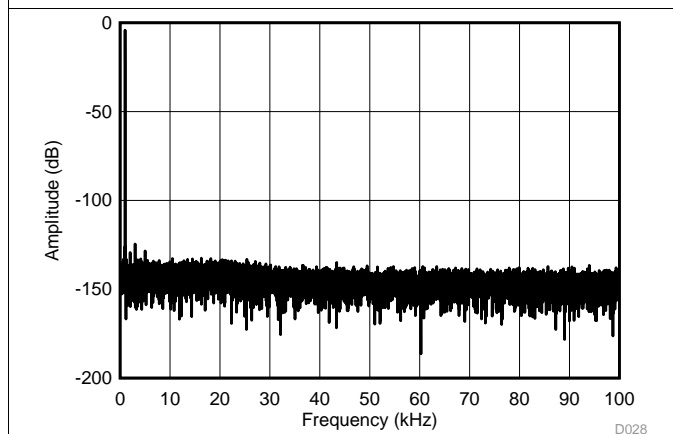


Figure 32. Typical FFT Plot ( $\pm 10\text{ V}$ )

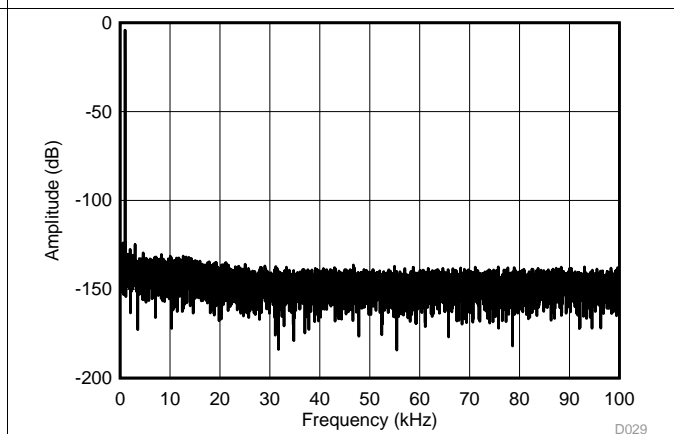
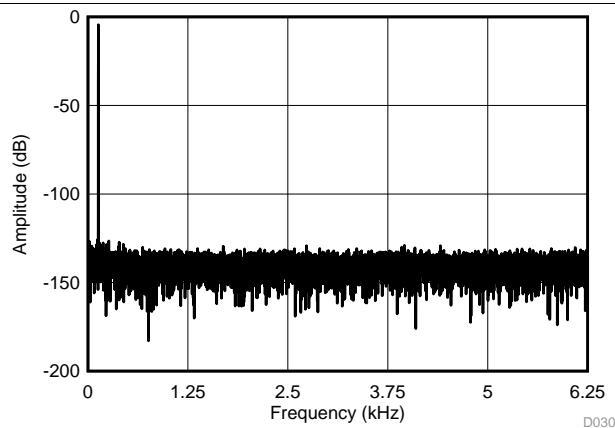


Figure 33. Typical FFT Plot ( $\pm 5\text{ V}$ )

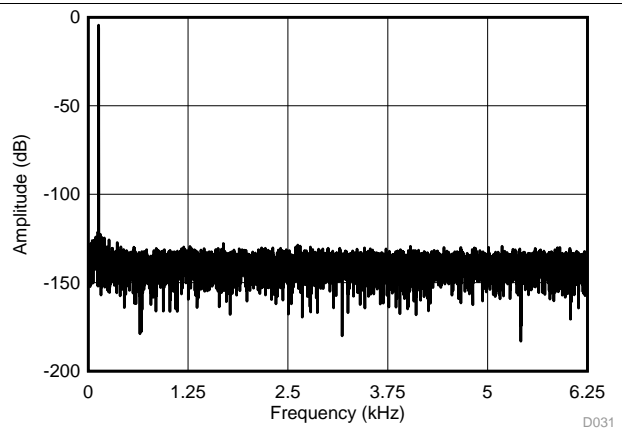
Typical Characteristics (continued)

at  $T_A = 25^\circ\text{C}$ ,  $AVDD = 5\text{ V}$ ,  $DVDD = 3\text{ V}$ , internal reference  $V_{REF} = 2.5\text{ V}$ , and  $f_S = 200\text{ kSPS}$  per channel (unless otherwise noted)



Number of points = 32k, SNR = 96.17 dB, SINAD = 96.16 dB, THD = -120.92 dB, SFDR = 125.7 dB

Figure 34. Typical FFT Plot for OSR 16x ( $\pm 10\text{ V}$ )



Number of points = 32k, SNR = 94.81 dB, SINAD = 94.8 dB, THD = -121.32 dB, SFDR = 126.19 dB

Figure 35. Typical FFT Plot for OSR 16x ( $\pm 5\text{ V}$ )

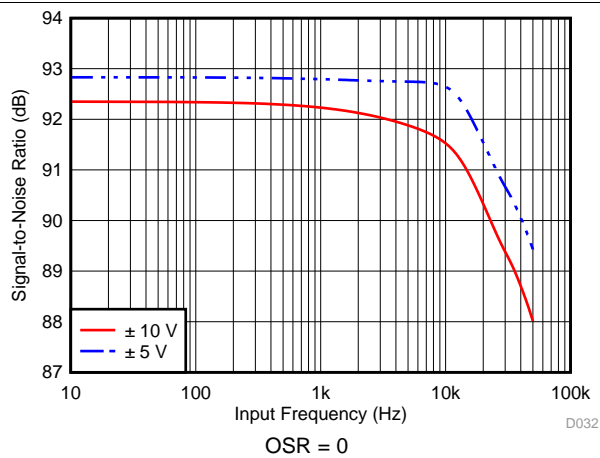


Figure 36. SNR vs Input Frequency for Different Input Ranges

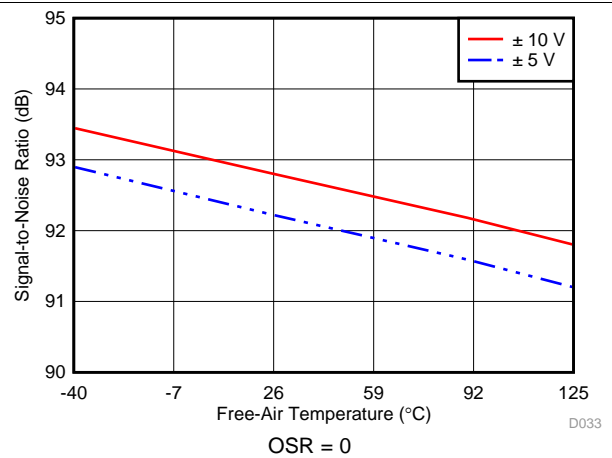


Figure 37. SNR vs Temperature for Different Input Ranges

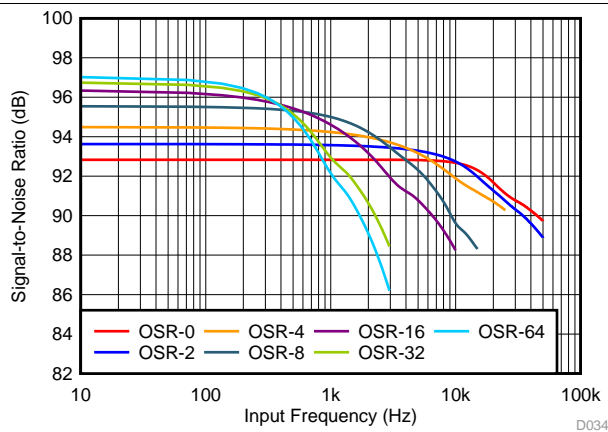


Figure 38. SNR vs Input Frequency for Different OSR ( $\pm 10\text{ V}$ )

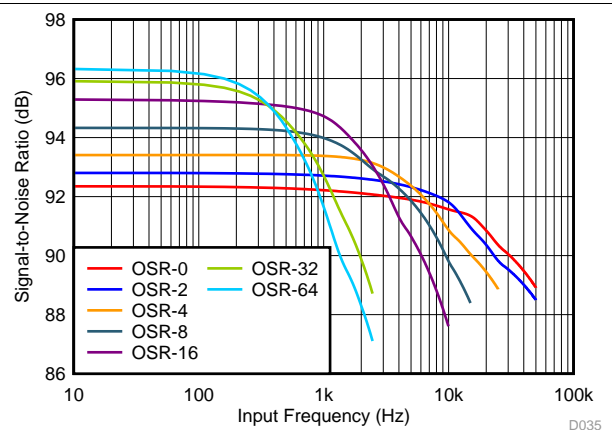


Figure 39. SNR vs Input Frequency for Different OSR ( $\pm 5\text{ V}$ )

Typical Characteristics (continued)

at  $T_A = 25^\circ\text{C}$ ,  $AVDD = 5\text{ V}$ ,  $DVDD = 3\text{ V}$ , internal reference  $V_{REF} = 2.5\text{ V}$ , and  $f_S = 200\text{ kSPS}$  per channel (unless otherwise noted)

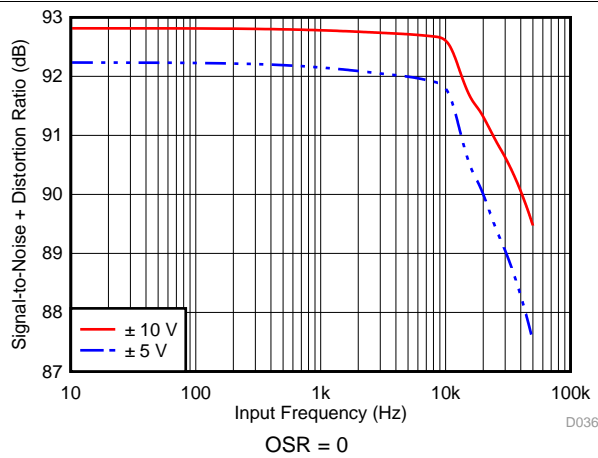


Figure 40. SINAD vs Input Frequency for Different Input Ranges

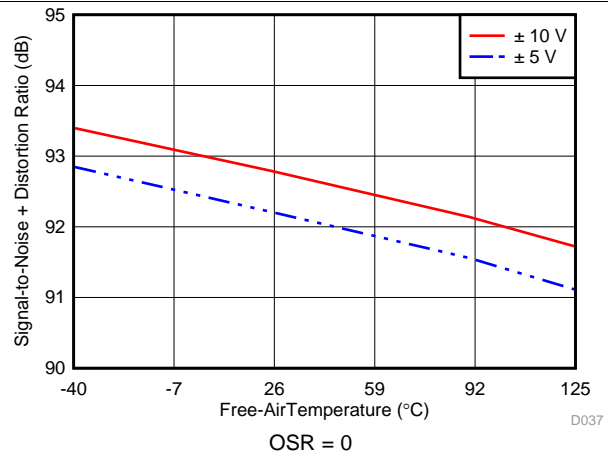


Figure 41. SINAD vs Temperature for Different Input Ranges

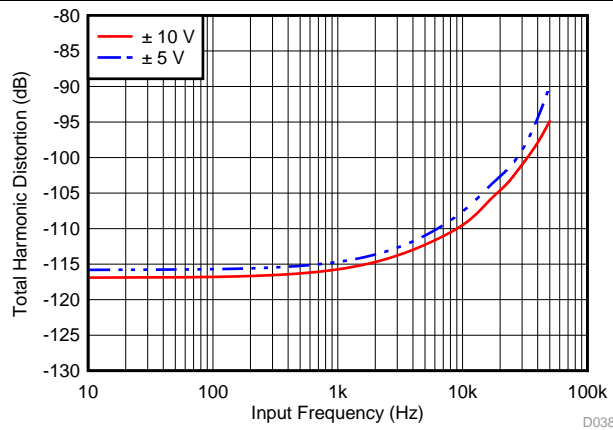


Figure 42. THD vs Input Frequency for Different Input Ranges

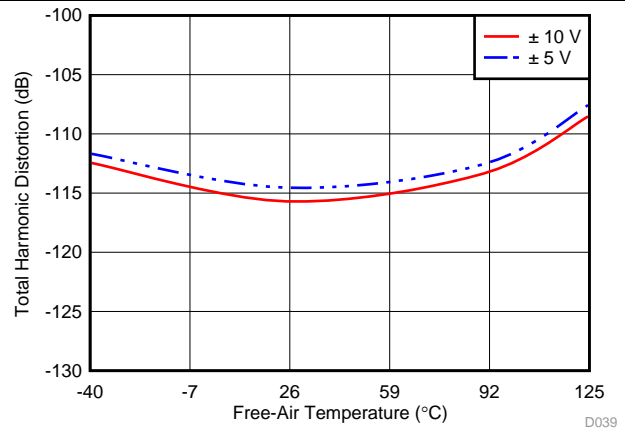


Figure 43. THD vs Temperature for Different Input Ranges

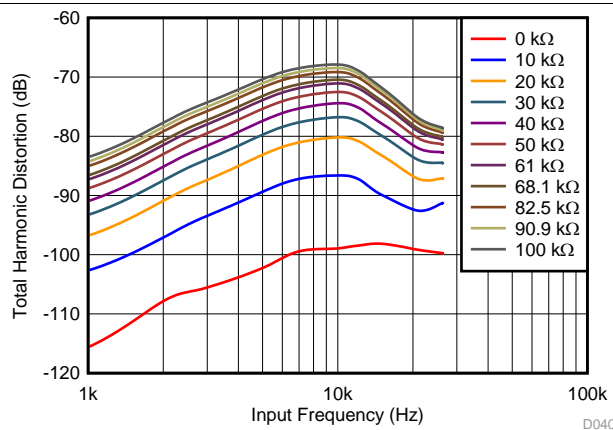


Figure 44. THD vs Input Frequency for Different Source Impedances ( $\pm 10\text{ V}$ )

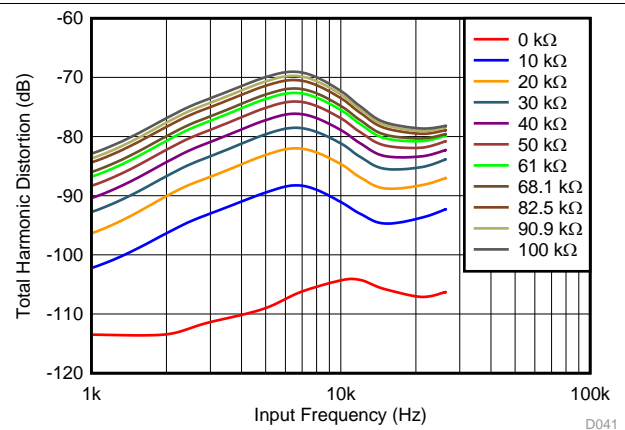
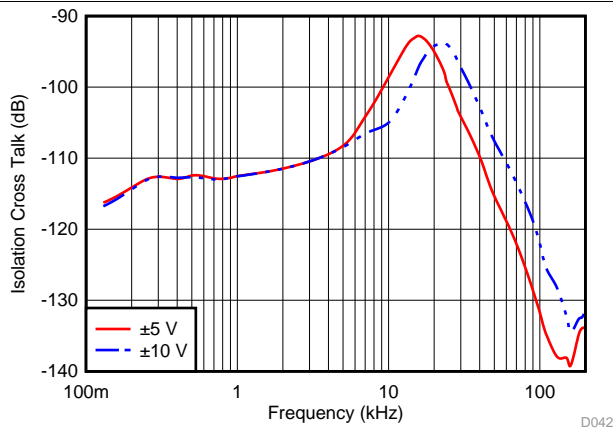


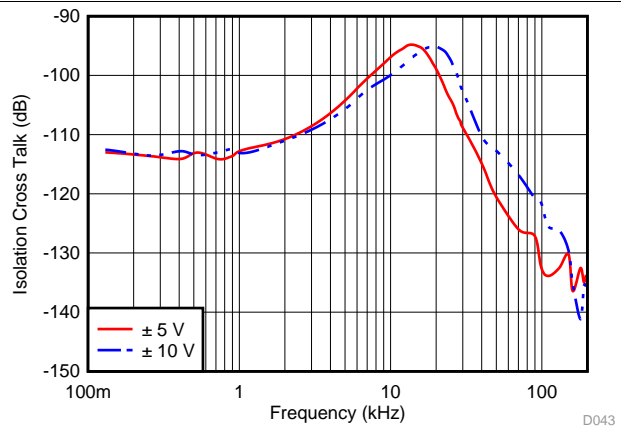
Figure 45. THD vs Input Frequency for Different Source Impedances ( $\pm 5\text{ V}$ )

**Typical Characteristics (continued)**

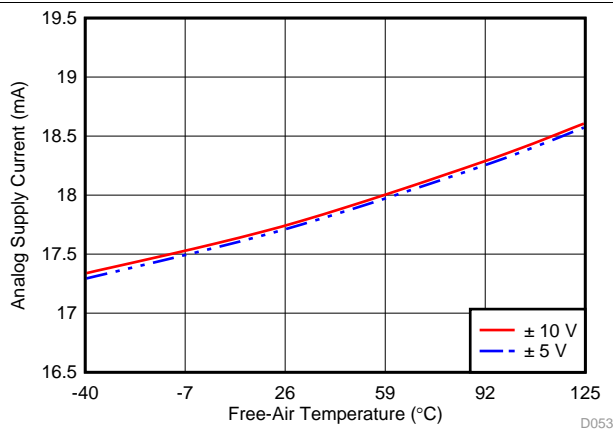
at  $T_A = 25^\circ\text{C}$ ,  $AVDD = 5\text{ V}$ ,  $DVDD = 3\text{ V}$ , internal reference  $V_{REF} = 2.5\text{ V}$ , and  $f_S = 200\text{ kSPS}$  per channel (unless otherwise noted)



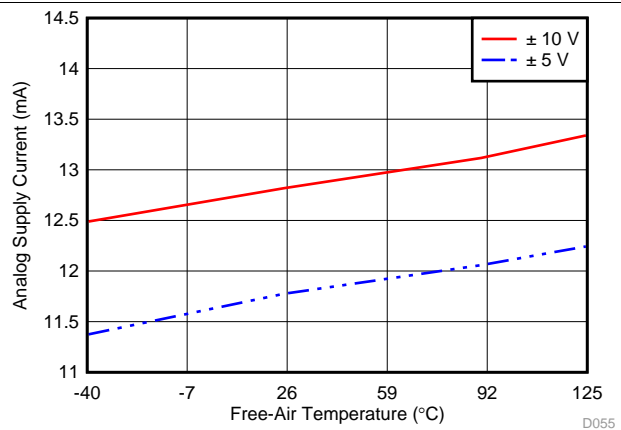
**Figure 46. Isolation Crosstalk vs Noise Frequency (Inputs Within Range)**



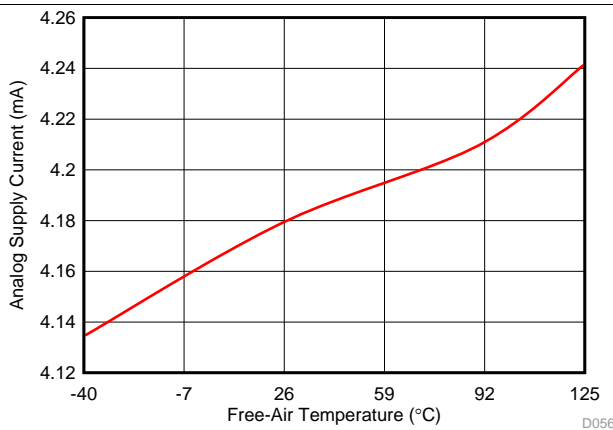
**Figure 47. Isolation Crosstalk vs Noise Frequency (Saturated Inputs)**



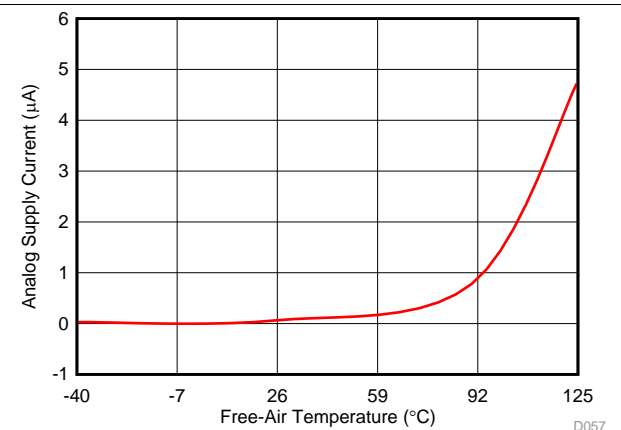
**Figure 48. Analog Supply Current (Operational) vs Temperature**



**Figure 49. Analog Supply Current (Static) vs Temperature (Sampling)**



**Figure 50. Analog Supply Current vs Temperature (Standby)**



**Figure 51. Analog Supply Current vs Temperature (Shutdown)**

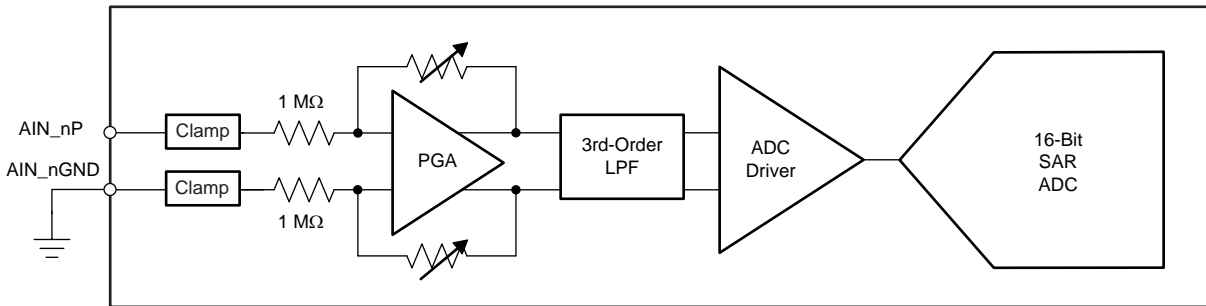




## 8.3 Feature Description

### 8.3.1 Analog Inputs

The ADS8588S has 8 analog input channels, such that the positive inputs AIN\_nP (n = 1 to 8) are the single-ended analog inputs and the negative inputs AIN\_nGND are tied to GND. Figure 52 shows the simplified circuit schematic for each analog input channel, including the input clamp protection circuit, PGA, low-pass filter, high-speed ADC driver, and a precision 16-bit SAR ADC.



**Figure 52. Front-End Circuit Schematic for Each Analog Input Channel**

The device can support two bipolar, single-ended input voltage ranges based on the logic level of the RANGE input pin. As explained in the [RANGE \(Input\)](#) section, the input voltage range for all analog channels can be configured to bipolar  $\pm 10$  V or  $\pm 5$  V. The device samples the voltage difference (AIN\_nP – AIN\_nGND) between the selected analog input channel and the AIN\_nGND pin. The device allows a  $\pm 0.3$ -V range on the AIN\_nGND pin for all analog input channels. Use this feature in modular systems where the sensor or signal conditioning block is further away from the ADC on the board and when a difference in the ground potential of the sensor or signal conditioner from the ADC ground is possible. In such cases, running separate wires from the AIN\_nGND pin of the device to the sensor or signal conditioning ground is recommended.

### 8.3.2 Analog Input Impedance

Each analog input channel in the device presents a constant resistive impedance of 1 MΩ. The input impedance for each channel is independent of either the input signal frequency, the configured range of the ADC, or the oversampling mode. The primary advantage of such high-impedance inputs is the ease of driving the ADC inputs without requiring driving amplifiers with low output impedance. Bipolar, high-voltage power supplies are not required in the system because this ADC does not require any high-voltage, front-end drivers. In most applications, the signal sources or sensor outputs can be directly connected to the ADC input, thus significantly simplifying the design of the signal chain.

In order to maintain the dc accuracy of the system, matching the external source impedance on the AIN\_nP input pin with an equivalent resistance on the AIN\_nGND pin is recommended (see [Figure 54](#)). This matching helps to cancel any additional offset error contributed by the external resistance.

### 8.3.3 Input Clamp Protection Circuit

As shown in [Figure 52](#), the ADS8588S features an internal clamp protection circuit on each of the 8 analog input channels. Use of external protection circuits is recommended as a secondary protection scheme to protect the device. Using external protection devices helps with protection against surges, electrostatic discharge (ESD), and electrical fast transient (EFT) conditions.

The input clamp protection circuit on the ADS8588S allows each analog input to swing up to a maximum voltage of  $\pm 15$  V. Beyond an input voltage of  $\pm 15$  V, the input clamp circuit turns on, still operating off the single 5-V supply. [Figure 53](#) illustrates a typical current versus voltage characteristic curve for the input clamp. There is no current flow in the clamp circuit for input voltages up to  $\pm 15$  V. Beyond this voltage, the input clamp circuit turns on.

Feature Description (continued)

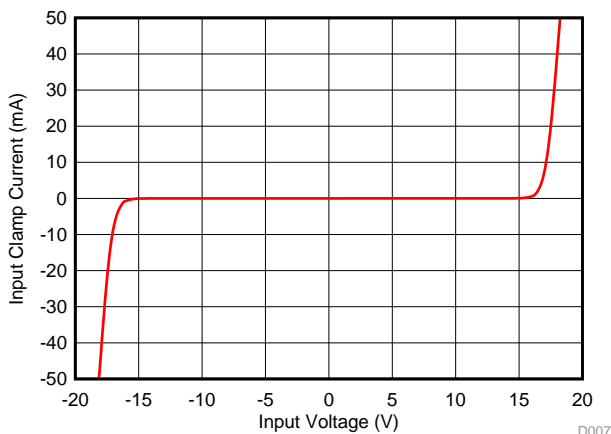


Figure 53. I-V Curve for an Input Clamp Protection Circuit (AVDD = 5 V)

For input voltages above the clamp threshold, make sure that input current never exceeds the absolute maximum rating (see the *Absolute Maximum Ratings* table) of  $\pm 10$  mA to prevent any damage to the device. Figure 54 shows that a small series resistor placed in series with the analog inputs is an effective way to limit the input current. In addition to limiting the input current, this resistor can also provide an antialiasing, low-pass filter when coupled with a capacitor. In order to maintain the dc accuracy of the system, matching the external source impedance on the AIN\_nP input pin with an equivalent resistance on the AIN\_nGND pin is recommended. This matching helps to cancel any additional offset error contributed by the external resistance.

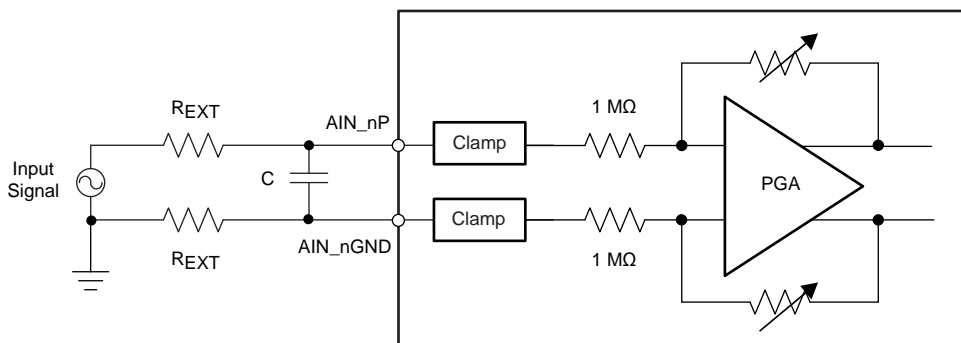


Figure 54. Matching Input Resistors on the Analog Inputs of Devices

The input overvoltage protection clamp on the ADS8588S is intended to control transient excursions on the input pins. Leaving the device in a state such that the clamp circuit is activated for extended periods of time in normal or power-down mode is not recommended because this fault condition can degrade device performance and reliability.

8.3.4 Programmable Gain Amplifier (PGA)

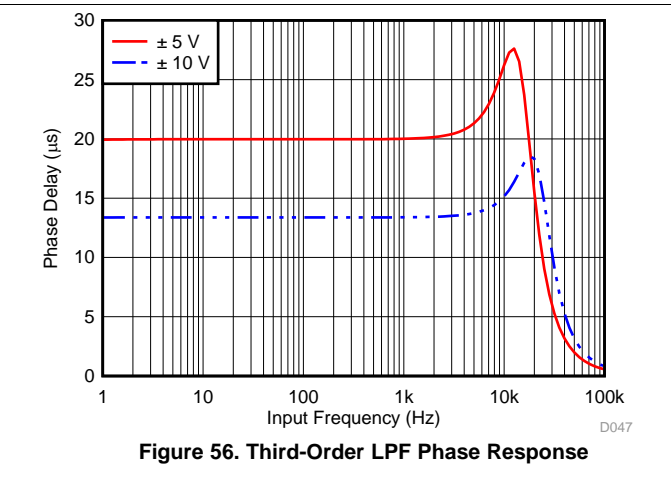
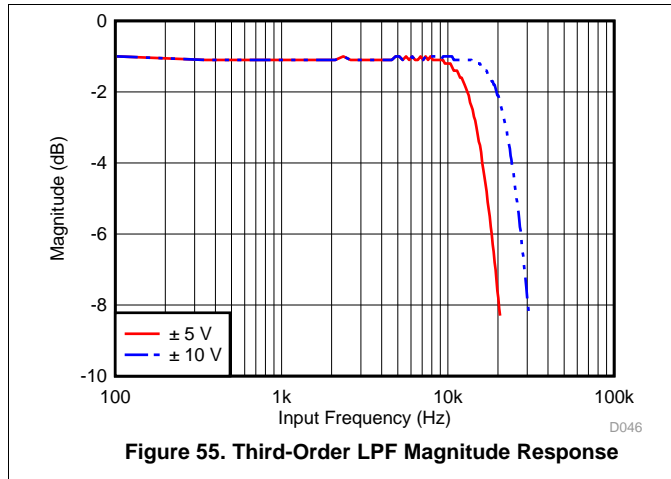
The device offers a programmable gain amplifier (PGA) at each individual analog input channel that converts the original single-ended input signal into a fully-differential signal to drive the internal 16-bit ADC. The PGA also adjusts the common-mode level of the input signal before being fed into the ADC to ensure maximum usage of the ADC input dynamic range. Depending on the range of the input signal, the PGA gain can be accordingly adjusted by configuring the RANGE pin of the ADC (see the *RANGE (Input)* section).

The PGA uses a very highly matched network of resistors for multiple gain configurations. Matching between these resistors and the amplifiers across all channels is accurately trimmed to keep the overall gain error low across all channels and input ranges.

## Feature Description (continued)

### 8.3.5 Third-Order, Low-Pass Filter (LPF)

In order to mitigate the noise of the front-end amplifiers and gain resistors of the PGA, each analog input channel of the ADS8588S features a third-order, Butterworth, antialiasing, low-pass filter (LPF) at the output of the PGA. Figure 55 and Figure 56, respectively, show the magnitude and phase response of the analog antialiasing filter. For maximum performance, the  $-3\text{-dB}$  cutoff frequency for the antialiasing filter is designed to be equal to 24 kHz for  $\pm 10\text{-V}$  range and 16 kHz for  $\pm 5\text{-V}$  range.



### 8.3.6 ADC Driver

In order to meet the performance of a 16-bit, SAR ADC at the maximum sampling rate (200 kSPS per channel), the capacitors at the input of the ADC must be successfully charged and discharged during the acquisition time window. The inputs of the ADC must settle to better than 16-bit accuracy before any sampled analog voltage gets converted. This drive requirement at the inputs of the ADC necessitates the use of a high-bandwidth, low-noise, and stable amplifier buffer. The ADS8588S features an integrated input driver as part of the signal chain for each analog input. This integrated input driver eliminates the need for any external amplifier, thus simplifying the signal chain design for the user.

### 8.3.7 Digital Filter and Noise

The ADS8588S features an optional digital averaging filter that can be used in slower throughput applications requiring lower noise and higher dynamic range. As explained in Table 1, the oversampling ratio of the digital filter is determined by the configuration of the OS[2:0] pins. The overall throughput of the ADC decreases proportionally with increase in the oversampling ratio.

**Table 1. Oversampling Bit Decoding**

OS[2:0]	OS RATIO	SNR $\pm 10\text{-V}$ INPUT (dB)	SNR $\pm 5\text{-V}$ INPUT (dB)	3-dB BANDWIDTH $\pm 10\text{-V}$ INPUT (kHz)	3-dB BANDWIDTH $\pm 5\text{-V}$ INPUT (kHz)	MAX THROUGHPUT PER CHANNEL (kSPS)
000	No OS	92.7	92.2	24	16	200
001	2	93.5	92.5	23	15.7	100
010	4	94.5	93.4	19.2	14.5	50
011	8	95.6	94.3	11.2	10.6	25
100	16	96.4	95.5	5.6	5.6	12.5
101	32	96.8	96.4	2.8	2.8	6.25
110	64	97.1	96.9	1.4	1.4	3.125
111	Invalid	—	—	—	—	—

In oversampling mode (see the [Oversampling Mode of Operation](#) section), the ADC takes the first sample for each channel at the rising edge of the CONVSTA, CONVSTB signals. After converting the first sample, the subsequent samples are taken by an internally generated sampling control signal. The samples are then averaged to reduce the noise of the signal chain as well as to improve the SNR of the ADC. The final output is also decimated to provide a 16-bit output for each channel. [Table 1](#) lists the typical SNR performance for both the  $\pm 10\text{-V}$  and  $\pm 5\text{-V}$  input ranges, including the  $-3\text{-dB}$  bandwidth and proportional maximum throughput per channel. When the oversampling ratio increases, there is a proportional improvement in the SNR performance and decrease in the bandwidth of the input filter.

### 8.3.8 Reference

The ADS8588S can operate with either an internal voltage reference or an external voltage reference using an internal gain amplifier. The internal or external reference selection is determined by an external REFSEL pin, as explained in the [REFSEL \(Input\)](#) section. The REFIN/REFOUT pin outputs the internal band-gap voltage (in internal reference mode) or functions as an input to the external reference voltage (in external reference mode). In both cases, the on-chip amplifier is always enabled. Use this internal amplifier to gain the reference voltage and drive the actual reference input of the internal ADC core for maximizing performance. The REFCAPA (pin 45) and REFCAPB (pin 44) pins must be shorted together externally and a ceramic capacitor of 10  $\mu\text{F}$  (minimum) must be connected between this node and REFGND (pin 43) to ensure that the internal reference buffer is operating as closed loop.

#### 8.3.8.1 Internal Reference

The device has an internal 2.5-V (nominal value) band-gap reference. In order to select the internal reference, the REFSEL pin must be tied high or connected to DVDD. When the internal reference is used, REFIN/REFOUT (pin 42) becomes an output pin with the internal reference value. A 10- $\mu\text{F}$  (minimum) decoupling capacitor, as shown in [Figure 57](#), is recommended to be placed between the REFIN/REFOUT pin and REFGND (pin 43). The capacitor must be placed as close to the REFIN/REFOUT pin as possible. The output impedance of the internal band-gap creates a low-pass filter with this capacitor to band-limit the noise of the band-gap output. The use of a smaller capacitor increases the reference noise in the system, thus degrading SNR and SINAD performance. Do not use the REFIN/REFOUT pin to drive external ac or dc loads because of the limited current output capability of the pin. The REFIN/REFOUT pin can be used as a reference source if followed by a suitable op amp buffer.

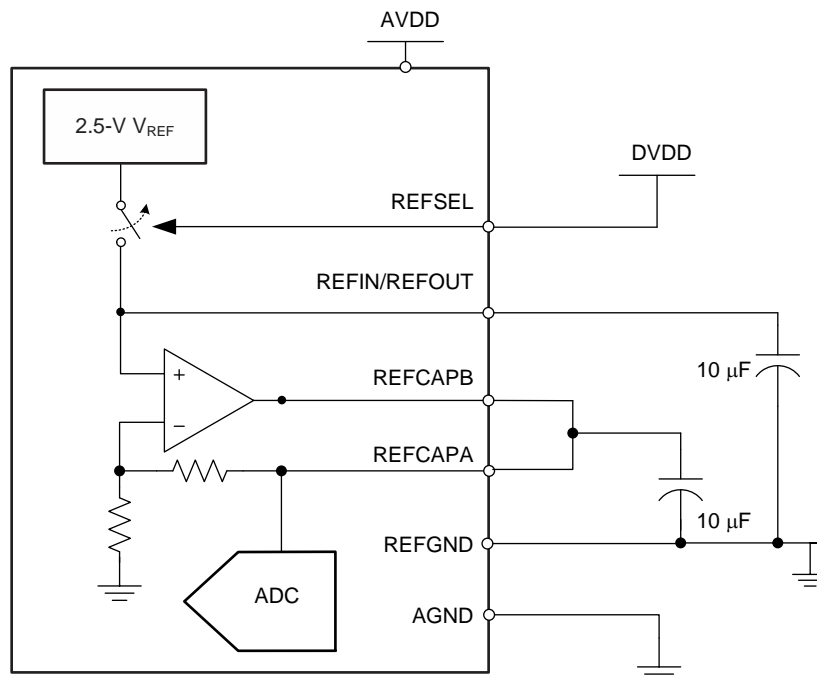
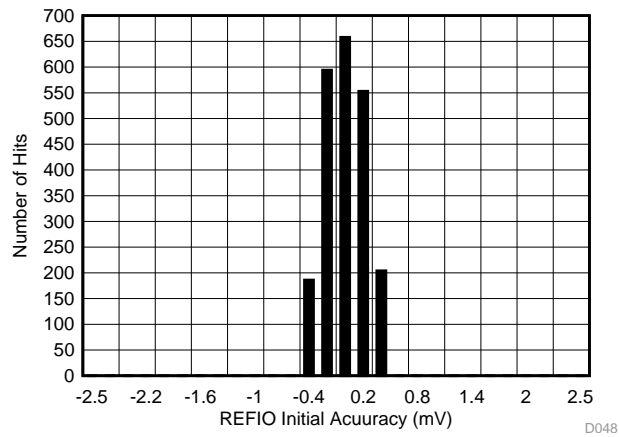


Figure 57. Device Connections for Using an Internal 2.5-V Reference

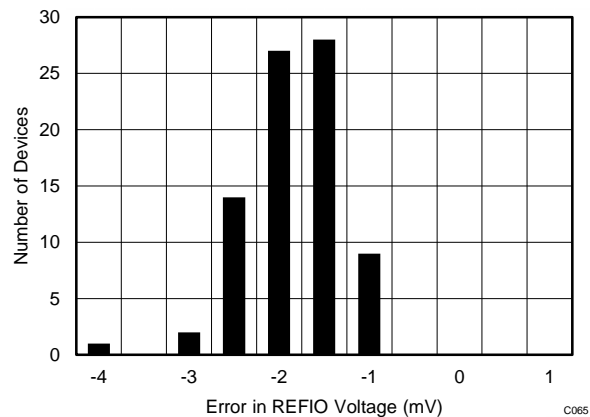
The device internal reference is factory trimmed to a maximum initial accuracy of  $\pm 2.5$  mV. The histogram in [Figure 58](#) shows the distribution of the internal voltage reference output taken from more than 2100 production devices.



**Figure 58. Internal Reference Accuracy at Room Temperature Histogram**

The initial accuracy specification for the internal reference can be degraded if the die is exposed to any mechanical, thermal, or environmental stress (such as humidity). Heating the device when being soldered to a printed circuit board (PCB) and any subsequent solder reflow is a primary cause for shifts in the  $V_{REF}$  value. The main cause of thermal hysteresis is a change in die stress and therefore is a function of the package, die-attach material, and molding compound, as well as the layout of the device itself.

In order to illustrate this effect, 80 devices were soldered using lead-free solder paste with the suggested manufacturer reflow profile, as explained in the [AN-2029 Handling & Process Recommendations](#) application report. The internal voltage reference output is measured before and after the reflow process and [Figure 59](#) shows the typical shift in value. Although all tested units exhibit a positive shift in the output voltages, negative shifts are also possible. The histogram in [Figure 59](#) shows the typical shift for exposure to a single reflow profile. Exposure to multiple reflows, which is common on PCBs with surface-mount components on both sides, causes additional shifts in the output voltage. If the PCB is to be exposed to multiple reflows, solder the ADS8588S in the second pass to minimize device exposure to thermal stress.



**Figure 59. Solder Heat Shift Distribution Histogram**

The internal reference is also temperature compensated to provide excellent temperature drift over an extended industrial temperature range of  $-40^{\circ}\text{C}$  to  $125^{\circ}\text{C}$ . [Figure 60](#) illustrates the variation of the internal reference voltage across temperature for different values of the AVDD supply voltage. The typical specified value of the reference voltage drift over temperature is  $7.5$  ppm/ $^{\circ}\text{C}$ .

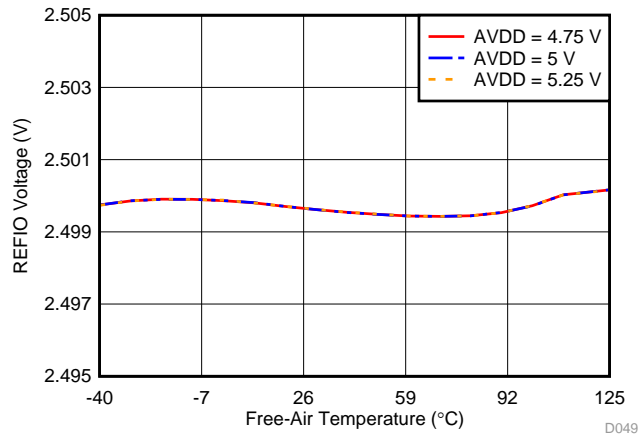
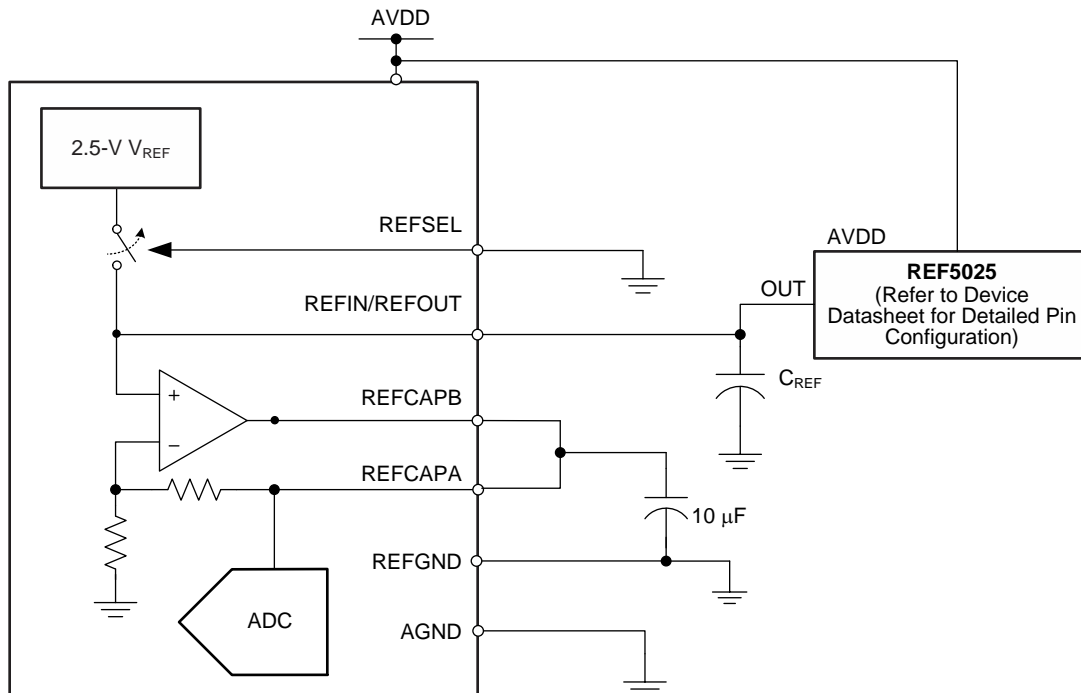


Figure 60. Variation of Internal Reference Output (REFIN/REFOUT) vs Supply and Temperature

### 8.3.8.2 External Reference

For applications that require a reference voltage with lower temperature drift or a common reference voltage for multiple devices, the ADS8588S offers a provision to use an external reference, using the internal buffer to drive the ADC reference pin. In order to select the external reference mode, either tie the REFSEL pin low or connect this pin to AGND. In this mode, an external 2.5-V reference must be applied at REFIN/REFOUT (pin 42), which becomes a high-impedance input pin. Any low-drift, small-size external reference can be used in this mode because the internal buffer is optimally designed to handle the dynamic loading on the ADC reference input. The output of the external reference must be filtered to minimize the resulting effect of the reference noise on system performance. Figure 61 shows a typical connection diagram for this mode.



Copyright © 2017, Texas Instruments Incorporated

Figure 61. Device Connections for Using an External 2.5-V Reference

For closed-loop operation of the internal reference buffer, the REFCAPA and REFCAPB pins must be externally shorted together. The output of the internal reference buffer appears at the REFCAP pin. A minimum capacitance of 10  $\mu\text{F}$  must be placed between the REFCAPA, REFCAPB pins and REFGND (pin 43). Do not use this internal reference buffer to drive external ac or dc loads due to its limited current output capability.

Figure 62 shows that the performance of the internal buffer output is very stable across the entire operating temperature range of  $-40^{\circ}\text{C}$  to  $+125^{\circ}\text{C}$ . Figure 63 shows that the typical specified value of the reference buffer drift over temperature is 5 ppm/ $^{\circ}\text{C}$ .

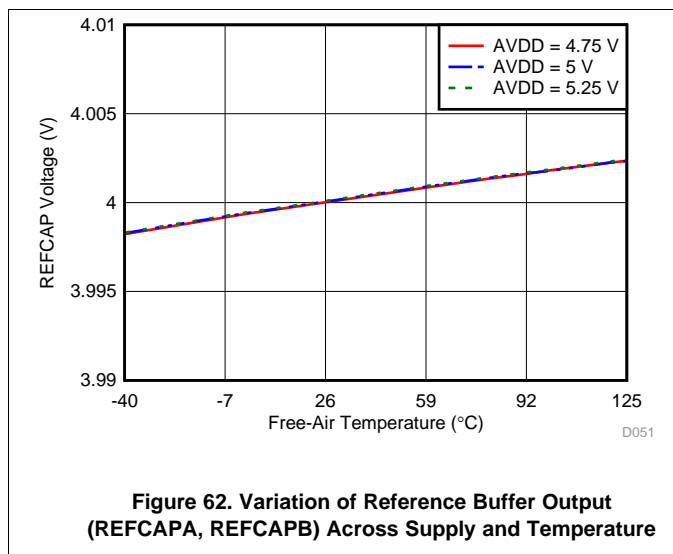


Figure 62. Variation of Reference Buffer Output (REFCAPA, REFCAPB) Across Supply and Temperature

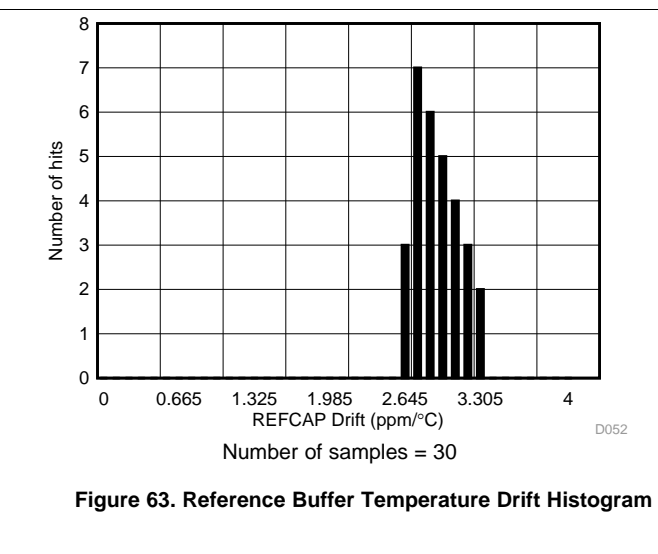
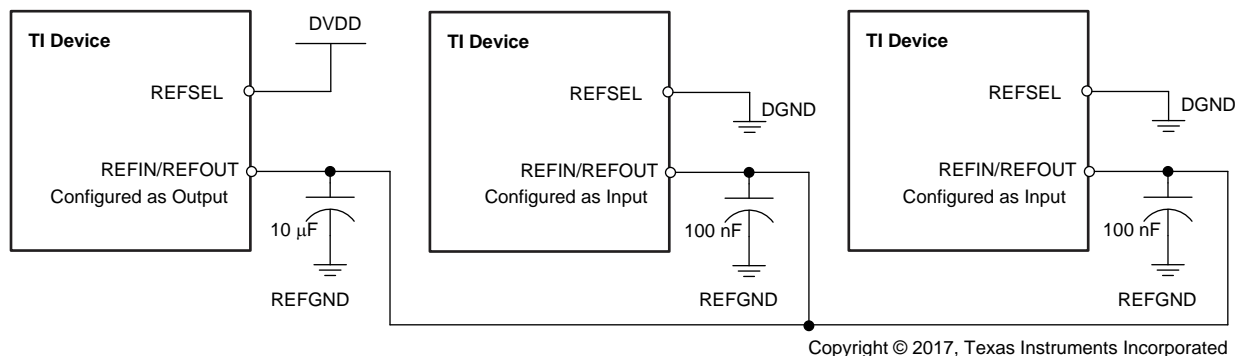


Figure 63. Reference Buffer Temperature Drift Histogram

### 8.3.8.3 Supplying One $V_{REF}$ to Multiple Devices

For applications that require multiple ADS8588S devices, using the same reference voltage source for all the ADCs helps eliminate any potential errors in the system resulting from mismatch between multiple reference sources.

Figure 64 shows the recommended connection diagram for an application that uses one device in internal reference mode and provides the reference source for other devices. The device used as source of the voltage reference is bypassed by a 10- $\mu\text{F}$  capacitor on the REFIN/REFOUT pin, whereas the other devices are bypassed with a 100-nF capacitor.

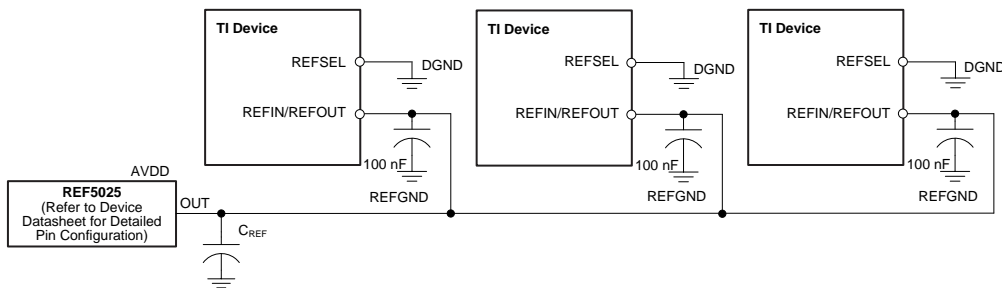


Copyright © 2017, Texas Instruments Incorporated

Figure 64. Multiple Devices Connected With an Internal Reference From One Device



Figure 65 shows the recommended connection diagram for an application that uses an external voltage reference (such as the REF5025) to provide the reference source for multiple devices.



Copyright © 2017, Texas Instruments Incorporated

Figure 65. Multiple Devices Connected Using an External Reference

### 8.3.9 ADC Transfer Function

The ADS8588S is a multichannel device that supports two single-ended, bipolar input ranges of ±10 V and ±5 V on all input channels. The device outputs 16 bits of conversion data in binary two's complement format for both bipolar input ranges. The format for the output codes is the same across all analog channels.

Figure 66 shows the ideal transfer characteristic for each ADC channel for all input ranges. The full-scale range (FSR) for each input signal is equal to the difference between the positive full-scale (PFS) input voltage and the negative full-scale (NFS) input voltage. The LSB size is equal to  $FSR / 2^{16} = FSR / 65536$  because the resolution of the ADC is 16 bits. Table 2 lists the LSB values corresponding to the different input ranges.

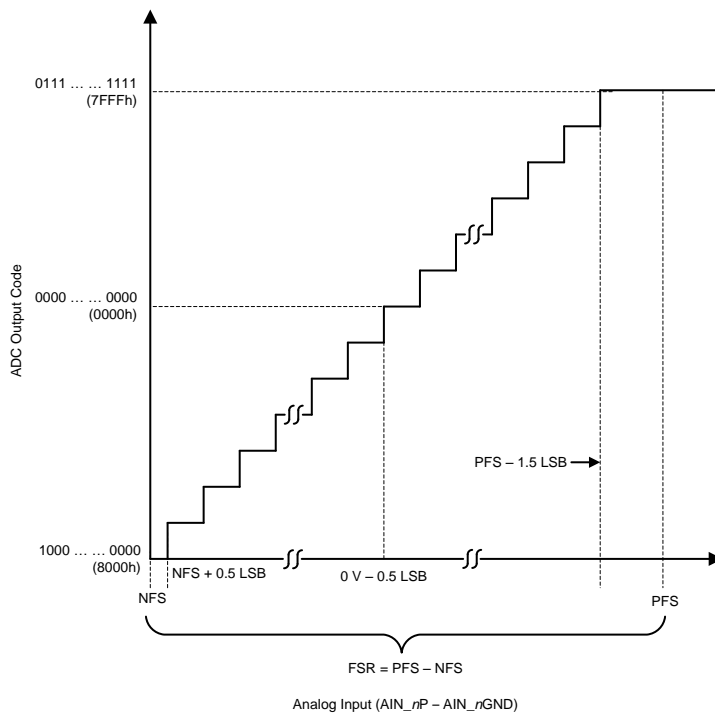


Figure 66. 16-Bit ADC Transfer Function (Twos Complement Binary Format)

Table 2. ADC LSB Values for Different Input Ranges

INPUT RANGE (V)	POSITIVE FULL-SCALE (V)	NEGATIVE FULL-SCALE (V)	FULL-SCALE RANGE (V)	LSB (μV)
±10	10	-10	20	305.18
±5	5	-5	10	152.59

## 8.4 Device Functional Modes

### 8.4.1 Device Interface: Pin Description

#### 8.4.1.1 REFSEL (Input)

The REFSEL pin is a digital input pin that enables selection between the internal and external reference mode of operation for the device. If the REFSEL pin is set to logic high, then the internal reference is enabled and selected. If this pin is set to logic low, then the internal band-gap reference circuit is disabled and powered down. In this mode, an external reference voltage must be provided to the REFIN/REFOUT pin. Under both conditions, the internal reference buffer is always enabled.

The REFSEL pin is an asynchronous logic input. The device output on the REFIN/REFOUT pin starts changing immediately with a change in state of the REFSEL input pin. During power-up, the device wakes up in internal or external reference mode depending on the state of the REFSEL input pin.

#### 8.4.1.2 RANGE (Input)

The RANGE pin is a digital input pin that allows the input range to be selected for all analog input channels. If this pin is set to logic high, the device is configured to operate in the  $\pm 10$ -V input range for all input channels. If this pin is set to logic low, then all input channels operate in the  $\pm 5$ -V input range.

In applications where the input range remains the same for all input channels, the RANGE pin is recommended to be hardwired to the appropriate signal. However, some applications can require an on-the-fly change in the input range by the digital host. For such cases, the RANGE pin functions as an asynchronous input, meaning that any change in the logic input results in an immediate change in the input range configuration of the device. An additional 80  $\mu$ s must typically be allowed in addition to the device acquisition time for the internal active circuitry to settle to the required accuracy before initiating the next conversion.

The RANGE pin is also used to put the device in standby or shutdown mode depending on the state of the  $\overline{\text{STBY}}$  input pin, as explained in the [Power-Down Modes](#) section.

#### 8.4.1.3 $\overline{\text{STBY}}$ (Input)

The  $\overline{\text{STBY}}$  pin is a digital input pin used to put the device into one of the two power-down modes: standby and shut down. Set the  $\overline{\text{STBY}}$  pin to logic high for normal device operation. If this pin is set to logic low, the device enters either standby mode or shutdown mode depending on the state of the RANGE input pin. Both of these modes are low-power modes supported by the device. In shutdown mode, all internal circuitry is powered down, but in standby mode the internal reference and regulators remain powered to enable a relatively quicker recovery to normal operation.

The  $\overline{\text{STBY}}$  pin functions as an asynchronous input, meaning that this pin can be pulled low at anytime during device operation to put the device into one of the two power-down modes. However, if the  $\overline{\text{STBY}}$  input is set high to bring the device out of power-down mode, then wait for the specified recovery time, as specified in the [Timing Requirements: Exit Standby Mode](#) table for proper operation. See the [Power-Down Modes](#) section for more details on device operation in the two power-down modes.

#### 8.4.1.4 $\overline{\text{PAR/SER/BYTE SEL}}$ (Input)

The  $\overline{\text{PAR/SER/BYTE SEL}}$  pin is a digital input pin that selects between the parallel, serial, or parallel byte interface for reading the data output from the device. If this pin is tied to logic low, then the device operates in the parallel interface mode (see the [Parallel Data Read](#) section). If this pin is tied to logic high, then the serial or parallel byte interface mode is selected depending on the state of the DB15/BYTE SEL pin. If the DB15/BYTE SEL is tied low, then serial mode is selected (see the [Serial Data Read](#) section) and the parallel byte interface is selected if this pin is tied high (see the [Parallel Byte Data Read](#) section).

## Device Functional Modes (continued)

### 8.4.1.5 CONVSTA, CONVSTB (Input)

Conversion start A (CONVSTA) and conversion start B (CONVSTB) are active-high, conversion control digital input signals. CONVSTA can be used to simultaneously sample and initiate the conversion process for the first half count of device input channels (channels 1-4 for the ADS8588S), whereas CONVSTB can be used to simultaneously sample and initiate the conversion process for the latter half count of device input channels (channels 5-8 for the ADS8588S). For simultaneous sampling of all input channels, both pins can be shorted together and a single CONVST signal can be used to control the conversion on all input channels. However, in the oversampling mode of operation (see the [Oversampling Mode of Operation](#) section), both the CONVSTA and CONVSTB signals must be tied together.

On the rising edge of the CONVSTA, CONVSTB signals, the internal track-and-hold circuits for each analog input channel are placed into hold mode and the sampled input signal is converted using an internal clock. The CONVSTA, CONVSTB signals can be pulled low when the internal conversion is over, as indicated by the BUSY signal (see the [BUSY \(Output\)](#) section). At this point, the front-end circuit for all analog input channels acquires the respective input signals and the internal ADC is not converting. The output data can be read from the device irrespective of the status of the CONVSTA, CONVSTB pins, as there is no degradation in device performance, as explained in the [Data Read Operation](#) section.

### 8.4.1.6 RESET (Input)

The RESET pin is an active-high digital input. A dedicated reset pin allows the device to be reset at any time in an asynchronous manner. All digital circuitry in the device is reset when the RESET pin is set to logic high and this condition remains active until the pin returns low. The device must always be reset after power-up as well as after recovery from shut-down mode when all the supplies and references have settled to the required accuracy. If the RESET is issued during an ongoing conversion process, then the device aborts the conversion and output data are invalid. If the reset signal is applied during a data read operation, then the output data registers are all reset to zero.

In order to initiate the next conversion cycle after deactivating a reset condition, allow for a minimum time delay between the falling edge of the RESET input and the rising edge of the CONVSTA, CONVSTB inputs (see the [Timing Requirements: CONVST Control](#) table). Any violation in this timing requirement can result in corrupting the results from the next conversion.

### 8.4.1.7 $\overline{RD}/SCLK$ (Input)

$\overline{RD}/SCLK$  is a dual-function pin. [Table 3](#) explains the usage of this pin under different operating conditions of the device.

**Table 3.  $\overline{RD}/SCLK$  Pin Functionality**

DEVICE OPERATING CONDITION		FUNCTIONALITY OF THE $\overline{RD}/SCLK$ INPUT
Parallel interface	$\overline{PAR}/SER/BYTE SEL = 0$ DB15/BYTE SEL = 0	Functions as an active-low digital input pin to read the output data from the device. In parallel or parallel byte interface mode, the output bus is enabled when both the CS and $\overline{RD}$ inputs are tied to a logic low input (see the <a href="#">Data Read Operation</a> section).
Parallel byte interface	$\overline{PAR}/SER/BYTE SEL = 1$ DB15/BYTE SEL = 1	
Serial interface	$\overline{PAR}/SER/BYTE SEL = 1$ DB15/BYTE SEL = 0	Functions as an external clock input for the serial data interface. In serial mode, all synchronous accesses to the device are timed with respect to the rising edge of the SCLK signal (see the <a href="#">Serial Data Read</a> section).

### 8.4.1.8 $\overline{CS}$ (Input)

The  $\overline{CS}$  pin indicates an active-low, chip-select signal. A rising edge on the  $\overline{CS}$  signal outputs all the data lines in tri-state mode. This function allows multiple devices to share the same output data lines. The falling edge of the  $\overline{CS}$  signal marks the beginning of the output data transfer frame in any interface mode of operation for the device. In the parallel and parallel byte interface modes, both the  $\overline{CS}$  and  $\overline{RD}$  input pins must be driven low to enable the digital output bus for reading the conversion data (DB[15:0] for parallel and DB[7:0] for parallel byte interface). In serial mode, the falling edge of the  $\overline{CS}$  signal takes the DOUTA, DOUTB serial data output lines out of tri-state mode and outputs the MSB of the previous conversion result.

#### 8.4.1.9 OS[2:0]

The OS[2:0] pins are active-high digital input pins used to configure the oversampling ratio for the internal digital filter on the device. OS2 is the MSB control bit and OS0 is the LSB control bit. [Table 1](#) provides the decoding of the OS[2:0] bits for different oversampling rates. As described in [Table 1](#), an increase in the OSR mode improves the typical SNR performance for both input ranges and reduces the 3-dB input bandwidth as well as the maximum-allowed throughput per channel.

#### 8.4.1.10 BUSY (Output)

BUSY is an active-high digital output signal. This pin goes to logic high after the rising edges of both the CONVSTA and CONVSTB signals, indicating that the front-end, track-and-hold circuits for all input channels are in hold mode and that the ADC conversion has started. When the BUSY signal goes high, any activity on the CONVSTA or CONVSTB inputs has no effect on the device. The BUSY output remains high until the conversion process for all channels is completed and the conversion data are latched into the output data registers for read out. If the conversion data is read for the previous conversion when BUSY is high, ensure that the data read operation is complete before the falling edge of the BUSY output.

#### 8.4.1.11 FRSTDATA (Output)

FRSTDATA is an active-high digital output signal that indicates if the conversion data output for the first analog input channel of the ADC (AIN\_1P and AIN\_1GND) is being read out in either of the interface modes. The FRSTDATA output pin comes out of tri-state when the CS input is pulled from a high to a low logic level. [Table 4](#) indicates the functionality of the FRSTDATA output in different interface modes of the device.

**Table 4. FRSTDATA Pin Functionality**

DEVICE OPERATING CONDITION		FUNCTIONALITY OF THE FRSTDATA OUTPUT
Parallel mode	$\overline{\text{PAR}}/\text{SER}/\text{BYTE SEL} = 0$ , DB15/BYTE SEL = 0	The first falling edge of the $\overline{\text{RD}}$ signal corresponding to the output result of channel 1 sets the FRSTDATA output to a logic high level. This setting indicates that the data output from channel 1 is being read on the parallel output bus (DB[15:0]). The FRSTDATA output goes low at the next falling edge of the $\overline{\text{RD}}$ signal and remains low until the conversion data output from all other channels is read.
Parallel byte mode	$\overline{\text{PAR}}/\text{SER}/\text{BYTE SEL} = 1$ , DB15/BYTE SEL = 1	The first falling edge of the $\overline{\text{RD}}$ signal corresponding to one byte of the output of channel 1 sets the FRSTDATA output to a logic high level. This setting indicates that one byte of the data output from channel 1 is being read on the parallel output bus (DB[7:0]). The FRSTDATA output remains high at the next falling edge of the $\overline{\text{RD}}$ signal to read the second byte of the channel 1 output. This pin goes low on the third falling edge of the $\overline{\text{RD}}$ signal and remains low until the conversion data output from all other channels is read.
Serial mode	$\overline{\text{PAR}}/\text{SER}/\text{BYTE SEL} = 1$ , DB15/BYTE SEL = 0	The FRSTDATA output goes to a logic high state on the falling edge of the $\overline{\text{CS}}$ signal when the MSB of the channel 1 conversion result is output on DOUTA at this instant. The FRSTDATA pin goes low at the 16th falling edge of the SCLK input, indicating that all 16 bits of the channel 1 output has been read. This pin remains low until the conversion data output from all other channels is read.

#### 8.4.1.12 DB15/BYTE SEL

DB15/BYTE SEL is a dual-function, digital input, output pin.

When the device operates in parallel interface mode ( $\overline{\text{PAR}}/\text{SER}/\text{BYTE SEL} = 0$ ), this pin functions as a digital output. In this mode, this pin outputs the MSB of the conversion data when both the  $\overline{\text{CS}}$  and  $\overline{\text{RD}}$  signals are pulled low.

When the device does not operate in parallel interface mode ( $\overline{\text{PAR}}/\text{SER}/\text{BYTE SEL} = 1$ ), this pin functions as a digital control input pin to select between the serial and parallel byte interface modes. The device operates in the serial interface mode when the DB15/BYTE SEL pin is tied low and the device operates in the parallel byte interface mode when this pin is tied to a logic high input.

#### 8.4.1.13 DB14/HBEN

DB14/HBEN is a dual-function, digital input, output pin

When the device operates in parallel interface mode ( $\overline{\text{PAR/SER/BYTE SEL}} = 0$ ), this pin functions as a digital output. In this mode, this pin outputs the (MSB-1) bit or bit 14 of the conversion data when both the  $\overline{\text{CS}}$  and  $\overline{\text{RD}}$  signals are pulled low.

When the device operates in parallel byte interface mode ( $\overline{\text{PAR/SER/BYTE SEL}} = 1$  and  $\text{DB15/BYTE SEL} = 1$ ), this pin functions as a digital control input pin that selects if the MSB byte or the LSB byte is output first. If the DB14/HBEN pin is tied to logic high, then the MSB byte is output first followed by the LSB byte and vice-versa if this pin is tied to logic low.

When the device operates in serial interface mode ( $\overline{\text{PAR/SER/BYTE SEL}} = 1$  and  $\text{DB15/BYTE SEL} = 0$ ), this pin must be tied to DGND or to a logic low input.

#### 8.4.1.14 DB[13:9]

DB[13:9] are digital output pins. In parallel interface mode ( $\overline{\text{PAR/SER/BYTE SEL}} = 0$ ), these pins output bit 13 to bit 9 of the conversion result for each analog channel when both the  $\overline{\text{CS}}$  and  $\overline{\text{RD}}$  signals are pulled low. When the device is not in parallel interface mode ( $\overline{\text{PAR/SER/BYTE SEL}} = 1$ ), these pins must be tied to DGND or to a logic low input.

#### 8.4.1.15 DB8/DOUTB

DB8/DOUTB is a dual-function digital output pin.

In parallel interface mode ( $\overline{\text{PAR/SER/BYTE SEL}} = 0$ ), use this pin to output bit 8 of the conversion result for each analog channel when both the  $\overline{\text{CS}}$  and  $\overline{\text{RD}}$  signals are pulled low.

When the device operates in parallel byte interface mode ( $\overline{\text{PAR/SER/BYTE SEL}} = 1$  and  $\text{DB15/BYTE SEL} = 1$ ), this pin remains in a tri-state mode.

In serial interface mode ( $\overline{\text{PAR/SER/BYTE SEL}} = 1$  and  $\text{DB15/BYTE SEL} = 0$ ), this pin outputs the conversion data for the second half count of device input channels (channels 5-8 for the ADS8588S).

#### 8.4.1.16 DB7/DOUTA

DB7/DOUTA is a dual-function digital output pin.

In parallel interface mode ( $\overline{\text{PAR/SER/BYTE SEL}} = 0$ ), use this pin to output bit 7 of the conversion result for each analog channel when both the  $\overline{\text{CS}}$  and  $\overline{\text{RD}}$  signals are pulled low.

When the device operates in parallel byte interface mode ( $\overline{\text{PAR/SER/BYTE SEL}} = 1$  and  $\text{DB15/BYTE SEL} = 1$ ), this pin outputs the MSB of the output byte of the conversion data.

In serial interface mode ( $\overline{\text{PAR/SER/BYTE SEL}} = 1$  and  $\text{DB15/BYTE SEL} = 0$ ), use this pin to output conversion data for the first half count of device input channels (channels 1-4 for the ADS8588S).

#### 8.4.1.17 DB[6:0]

DB[6:0] are digital output pins.

In parallel interface mode ( $\overline{\text{PAR/SER/BYTE SEL}} = 0$ ), these pins output bit 6 to bit 0 (LSB) of the conversion result for each analog channel when both the  $\overline{\text{CS}}$  and  $\overline{\text{RD}}$  signals are pulled low.

When the device operates in parallel byte interface mode ( $\overline{\text{PAR/SER/BYTE SEL}} = 1$  and  $\text{DB15/BYTE SEL} = 1$ ), these pins along with the DB7 pin output the 16-bit conversion result in MSB-first fashion in two consecutive  $\overline{\text{RD}}$  operations.

When the device operates in serial interface mode ( $\overline{\text{PAR/SER/BYTE SEL}} = 1$  and  $\text{DB15/BYTE SEL} = 0$ ), these pins must be tied to DGND or to a logic low input.

## 8.4.2 Device Modes of Operation

The ADS8588S supports multiple modes of operation that can be programmed using the hardware pins. This functionality allows the device to be easily configured without any complicated software programming. This section provides details about the normal, power-down (standby and shutdown), and oversampling modes of operation of the device.

### 8.4.2.1 Power-Down Modes

For applications that are sensitive to power consumption, the ADS8588S offers a built-in, power-down feature. The device supports two power-down modes: standby mode and shutdown mode. As shown in [Table 5](#), the device can enter either power-down mode by pulling the  $\overline{\text{STBY}}$  pin to a logic level. Additionally, the selection between these two power-down modes is done by the state of the RANGE pin.

**Table 5. Power-Down Mode Selection**

POWER-DOWN MODE	$\overline{\text{STBY}}$	RANGE
Standby	0	1
Shutdown	0	0

#### 8.4.2.1.1 Standby Mode

The device supports a low-power standby mode in which only part of the circuit is powered down. The analog front-end, signal-conditioning circuit for each channel remains powered down in this mode, but the internal reference and regulator are not powered down. In standby mode, the total power consumption of the device is typically equal to 19 mW.

In order to enter standby mode, the  $\overline{\text{STBY}}$  input pin must be set to logic low and the RANGE input pin must be set to a logic high value. The device can be asynchronously put into this mode by configuring the  $\overline{\text{STBY}}$  and RANGE inputs at anytime during device operation.

The device exits standby mode when a logic high input is applied to the  $\overline{\text{STBY}}$  pin. At this time, the internal circuitry starts powering up and takes a minimum time of 100  $\mu\text{s}$  to settle before the next conversion can be initiated. See the [Timing Requirements: Exit Standby Mode](#) table and [Figure 8](#) for timing details.

#### 8.4.2.1.2 Shutdown Mode

The device supports a low-power shutdown mode in which the entire internal circuitry is powered down. In shutdown mode, the total power consumption of the device is typically equal to 1  $\mu\text{W}$ .

In order to enter shutdown mode, the  $\overline{\text{STBY}}$  input pin must be set to logic low and the RANGE input pin must be set to a logic low value. The device can be asynchronously put into this mode by configuring the  $\overline{\text{STBY}}$  and RANGE inputs at anytime during device operation.

The device exits shutdown mode when a logic high input is applied to the  $\overline{\text{STBY}}$  pin. At this time, the internal circuitry starts powering up and takes a minimum time of 13 ms to settle in external reference mode before the next conversion can be initiated. After recovery from shutdown mode, a RESET signal must be applied before the next conversion can be initiated. See the [Timing Requirements: Exit Shutdown Mode](#) table and [Figure 9](#) for timing details.

### 8.4.2.2 Conversion Control

The ADS8588S offers easy and precise control to simultaneously sample all analog input channels or pairs of input channels. The sampling instant can be user-controlled through the digital pins, CONVSTA and CONVSTB. Simultaneously capturing the input signal on all analog input channels is extremely useful in certain applications that are sensitive to additional phase delay between input channels caused by sequential sampling. This section describes the methodology to simultaneously sample all input channels or pairs of input channels for the device.

### 8.4.2.2.1 Simultaneous Sampling on All Input Channels

The ADS8588S allows all the analog input channels to be simultaneously sampled. In order to do so, the CONVSTA and CONVSTB signals (as shown in Figure 67) must be tied together and a single CONVST signal must be used to control the sampling of all analog input channels of the device. Figure 67 also shows the sequence of events described in this section.

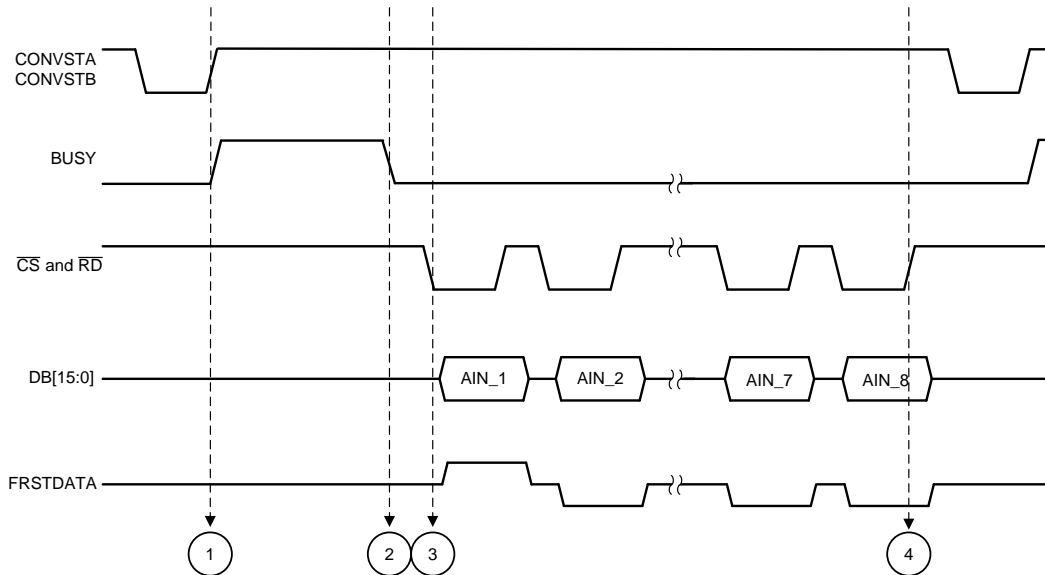


Figure 67. Simultaneous Sampling of All Input Channels in Parallel Interface Timing Diagram

There are four events that describe the internal operation of the device when all input channels are simultaneously sampled and the data are read back. These events are:

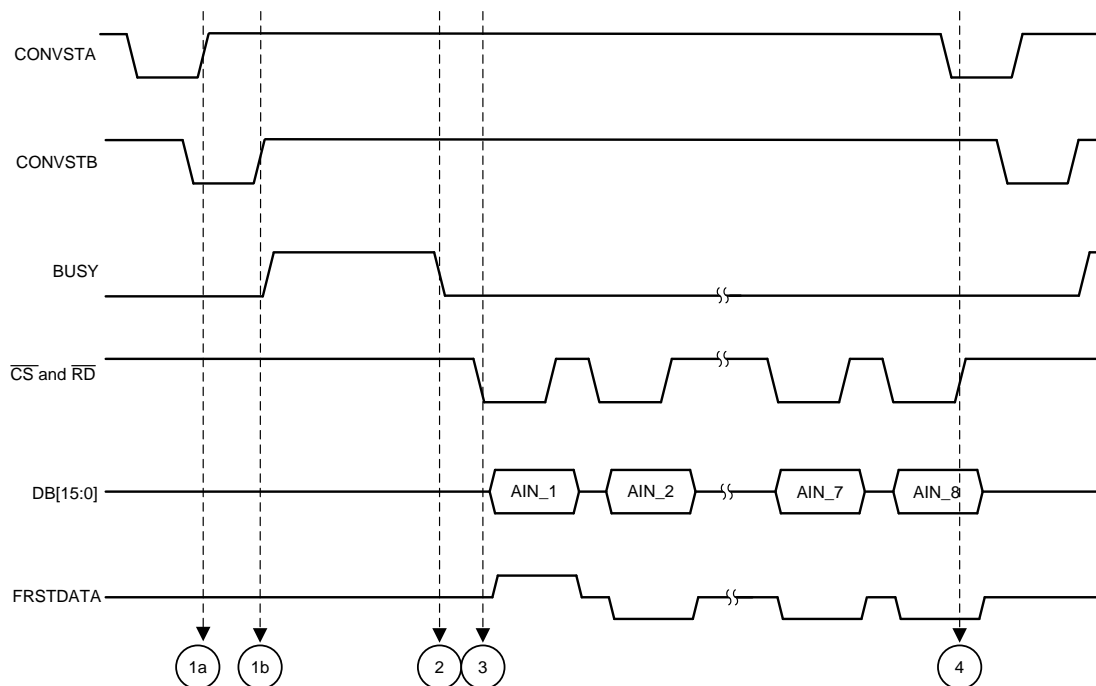
- **Event 1:** Simultaneous sampling of all analog input channels is initiated with the rising edge of the CONVST signal. The input signals on all channels are sampled at this same instant because both the CONVSTA and CONVSTB inputs are tied together. The sampled signals are then converted by the ADC using a precise on-chip oscillator clock. At the beginning of the conversion phase of the ADC, the BUSY output goes high and remains high through a maximum-specified conversion time of  $t_{CONV}$  (see the [Timing Requirements: CONVST Control](#) table).
- **Event 2:** At this instant, the ADC has completed the conversion for all input channels and the BUSY output goes to logic low. The falling edge of the BUSY signal indicates end of conversion and that the internal registers are updated with the conversion data. At this instant, the device is ready to output the correct conversion results for all channels on the parallel output bus (DB[15:0]), serial output lines (DOUTA, DOUTB), or parallel byte bus (DB[7:0]).
- **Event 3:** This example shows the data read operation in parallel interface mode with both  $\overline{CS}$  and  $\overline{RD}$  tied together. After BUSY goes low, the first falling edges of  $\overline{CS}$  and  $\overline{RD}$  output the conversion result of channel 1 (AIN\_1) on the parallel output bus. Similarly, the conversion results for the remaining channels are output on the parallel bus on subsequent falling edges of the  $\overline{CS}$  and  $\overline{RD}$  signals in a sequential manner. If all channels are not used in the conversion process, tie the unused channels to AGND or any known voltage within the selected input range. The ADC always converts all analog input channels and the results for unused channels are included in the output data stream, thus all unused channels must be tied. The FRSTDATA output goes high on the first falling edges of the  $\overline{CS}$  and  $\overline{RD}$  signals, indicating that the parallel bus is carrying the output result from channel 1. On the next falling edges of the  $\overline{CS}$  and  $\overline{RD}$  signals, FRSTDATA goes low and stays low if the  $\overline{CS}$  and  $\overline{RD}$  inputs are low.
- **Event 4:** After the conversion results for all analog channels are output from the device, the data frame can be terminated by pulling the  $\overline{CS}$  and  $\overline{RD}$  signals to logic high. The parallel bus and FRSTDATA output go to tri-state until the entire sequence is repeated beginning from event 1.

Events 1 and 2 are common to all interface modes of operation (parallel, serial, or parallel byte).

### 8.4.2.2.2 Simultaneous Sampling Two Sets of Input Channels

The ADS8588S allows two sets of analog input channels to be simultaneously sampled. In order to do so, the CONVSTA and CONVSTB signals must be separate control inputs (as shown in Figure 68) and the device must not operate in any oversampling mode. Electrical grid relay protection is an application that can benefit from being able to sample the inputs in two groups. The delay of the signal through the voltage channels is often different from the delay on the channels measuring current. The difference in delay created by the voltage and current signal paths can be corrected by adjusting the sampling of the two groups of inputs (voltage and current) to the device.

The timing diagram of Figure 68 shows the sequence of events described in this section.



**Figure 68. Simultaneous Sampling of All Input Channels in Parallel Interface Timing Diagram**

There are four events that describe the internal operation of the device when pairs of input channels are simultaneously sampled and the data are read back. These events are:

- **Event 1(a):** A rising edge on the CONVSTA signal initiates simultaneous sampling of the first set of analog input channels (channels 1-4 for the ADS8588S). The sampling circuits on the first set of analog input channels enter hold mode and the input signals on these channels are sampled at the same instant. The ADC does not begin conversion until the input signals on the second set of channels are sampled.
- **Event 1(b):** A rising edge on the CONVSTB signal initiates simultaneous sampling of the second set of analog input channels (channels 5-8 for the ADS8588S). The sampling circuits for the second set of analog input channels enter hold mode and the input signals on these channels are sampled at the same instant. When the rising edges of both the CONVSTA and CONVSTB signals have occurred, the ADC converts all sampled signals using a precise, on-chip oscillator clock. At the beginning of the conversion phase of the ADC, the BUSY output goes high and remains high through a maximum-specified conversion time of  $t_{CONV}$  (see the *Timing Requirements: CONVST Control* table).
- **Event 2:** Same as event 2 in the *Simultaneous Sampling on All Input Channels* section.
- **Event 3:** Same as event 3 in the *Simultaneous Sampling on All Input Channels* section.
- **Event 4:** Same as event 4 in the *Simultaneous Sampling on All Input Channels* section.

Events 1(a), 1(b), and 2 are common to all interface modes of operation (parallel, serial, or parallel byte).



### 8.4.2.3 Data Read Operation

The ADS8588S updates the internal data registers with the conversion data for all analog channels at the end of every conversion phase (when BUSY goes low). As described in the [Timing Requirements: Data Read Operation](#) table, if the output data are read after BUSY goes low, then the device outputs the conversion results for the current sample. However, if the output data are read when BUSY is high, then the device outputs conversion results for the previous sample. Under both conditions, the device supports three interface options depending on the status of the  $\overline{\text{PAR/SER/BYTE SEL}}$  and DB15/BYTE SEL pins, as explained in [Table 6](#).

**Table 6. Data Read Back Interface Mode Selection**

SELECTED INTERFACE MODE	$\overline{\text{PAR/SER/BYTE SEL}}$	DB15/BYTE SEL
Parallel interface	0	0
Parallel byte interface	1	1
Serial interface	1	0

#### 8.4.2.3.1 Parallel Data Read

The ADS8588S supports a parallel interface mode for reading the device output data using the control inputs ( $\overline{\text{CS}}$  and  $\overline{\text{RD}}$ ) the parallel output bus (DB[15:0]), and the BUSY indicator. This interface mode is selected by applying a logic low input on the  $\overline{\text{PAR/SER/BYTE SEL}}$  input pin. Depending on the application requirements, the  $\overline{\text{CS}}$  and  $\overline{\text{RD}}$  control inputs can be tied together or used as separate control inputs in the parallel interface mode.

For applications that use only one device in the system and does not share the parallel output bus with any other devices, the  $\overline{\text{CS}}$  and  $\overline{\text{RD}}$  input signals can be tied together. Alternatively, the  $\overline{\text{CS}}$  signal can be permanently tied low and the  $\overline{\text{RD}}$  signal can be used to clock the data out of the device. The timing diagram for this mode of operation is described in the [Timing Requirements: Parallel Data Read Operation, CS and RD Tied Together](#) table. In this mode the parallel output bus, DB[15:0], is activated (comes out of tri-state) on the falling edge of the  $\overline{\text{CS/RD}}$  signal. At the first falling edge of the  $\overline{\text{CS/RD}}$  signal, the output data of channel 1 becomes available on the parallel bus to be read by the digital host. At this instant the FRSTDATA output also goes high, indicating channel 1 data are ready to be read back. The output data for the remaining channels are clocked out on the parallel bus on subsequent falling edges of the  $\overline{\text{CS}}$  and  $\overline{\text{RD}}$  signal in a sequential manner.

For applications that use multiple devices in the system, the  $\overline{\text{CS}}$  and  $\overline{\text{RD}}$  input signals must be driven separately. The timing diagram for this mode of operation is described in the [Timing Requirements: Parallel Data Read Operation, CS and RD Separate](#) table. A falling edge of the  $\overline{\text{CS}}$  input can be used to activate the parallel bus for a particular device in the system. The  $\overline{\text{RD}}$  signal clocks the conversion data out of the device. At the first falling edge of the  $\overline{\text{RD}}$  signal, the output data of channel 1 become available on the parallel bus to be read by the digital host. At this instant the FRSTDATA output also goes high, indicating channel 1 data are ready to be read back. On subsequent falling edges of the  $\overline{\text{RD}}$  signal, the output data for the remaining channels are clocked out on the parallel bus in a sequential manner. At the second falling edge of the  $\overline{\text{RD}}$  signal, the FRSTDATA output goes low and remains low until going to tri-state at the next rising edge of the  $\overline{\text{CS}}$  signal.

#### 8.4.2.3.2 Parallel Byte Data Read

The ADS8588S supports a parallel byte interface mode for reading the device output data using the control inputs ( $\overline{\text{CS}}$  and  $\overline{\text{RD}}$ ) the parallel output bus (DB[15:0]), and the BUSY indicator. This interface mode is selected by applying a logic high input on the  $\overline{\text{PAR/SER/BYTE SEL}}$  input pin and a logic high input on the DB15/BYTE SEL input pin. The parallel byte interface mode is very similar to the parallel interface mode, except that the output data for each channel is read in two data transfers of 8-bit byte sizes.

The order of most significant byte (MSB byte) and least significant byte (LSB byte) is decided by the logic input state of the DB14/HBEN pin. In parallel byte mode, the DB14/HBEN pin functions as a control input. When DB14/HBEN pin is tied high, the MSB byte of the conversion results is output first followed by the LSB byte. This order is reversed when DB14/HBEN is tied to logic low.

The *Timing Requirements: Byte Mode Data Read Operation* table describes the data read back operation during parallel byte mode when the DB14/HBEN pin is tied high. A falling edge of the  $\overline{CS}$  input is used to activate the parallel bus, DB[7:0] for the device. The  $\overline{RD}$  signal is then used to clock the conversion data out of the device. In this mode, two  $\overline{RD}$  pulses are required to read the full data output for each analog channel. At the first falling edge of the  $\overline{RD}$  signal, the first byte of the channel 1 conversion result becomes available on DB[7:0]. This byte is followed by the second byte of conversion data on the next falling edge of the  $\overline{RD}$  signal. On subsequent falling edges of the  $\overline{RD}$  signal, the output data for the remaining channels are clocked out in chunks of 8-bit bytes on DB[7:0] in a sequential manner. Thus, a total of 16  $\overline{RD}$  pulses are required to read the output from all input channels of the ADS8588S.

In this mode, the FRSTDATA output goes high at the first falling of the  $\overline{RD}$  signal. FRSTDATA remains high for two  $\overline{RD}$  pulses until both bytes of the channel 1 conversion result are output. At the third falling edge of the  $\overline{RD}$  signal, the FRSTDATA output goes low and remains low throughout the data read operation until going to tri-state at the next rising edge of the  $\overline{CS}$  signal.

#### 8.4.2.3.3 Serial Data Read

The ADS8588S also supports a serial interface mode for reading the device output data. This interface mode is selected by applying a logic high input on the  $\overline{PAR/SER/BYTE SEL}$  input pin and a logic low input on the DB15/BYTE SEL input pin. This interface mode uses a  $\overline{CS}$  control input, a communication clock input (SCLK), BUSY and FRSTDATA output indicators, and serial data output lines DOUTA and DOUTB.

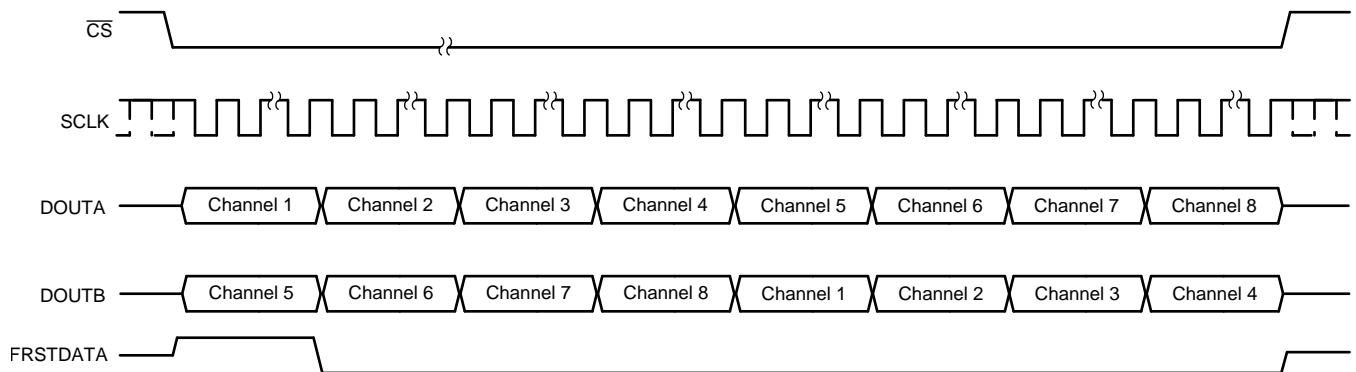
Figure 5 illustrates the timing diagram for data read in serial mode for one channel of the ADC, framed by the  $\overline{CS}$  signal. When the  $\overline{CS}$  input is high, the serial data output and FRSTDATA output lines are in tri-state and the SCLK input is ignored. On the falling edge of the  $\overline{CS}$  signal, the output lines become active and the MSB of the conversion result comes out on DOUTA, DOUTB. The MSB can be read by the host processor on the next falling edge of the SCLK signal. The remaining 15 bits of the conversion result are output on the subsequent rising edges of the SCLK signal and can be read by the host processor on the corresponding falling edges. Thus, a total of 16 SCLK cycles are required to clock out 16 bits of conversion result for each channel and the same process can be repeated for the remaining channels in an ascending order. The  $\overline{CS}$  input can be left at a logic low level for the entire data retrieval process for all analog channels or used to frame the retrieval of the 16-bit output data for each analog channel.

The ADS8588S can output the conversion results on one or both of the serial data output lines, DOUTA and DOUTB. The conversion results from the first set of channels (channels 1-4 for the ADS8588S) appear first on DOUTA, followed by the second set of channels (channels 5-8 for the ADS8588S) if only DOUTA is used for reading data. This order is reversed for DOUTB, in which the second set of channels appear first followed by the first set of channels. The use of both data output lines reduces the time needed for data retrieval and a higher throughput can therefore be achieved in this mode.

The FRSTDATA output is in tri-state when the  $\overline{CS}$  signal is high. As illustrated in Figure 5, FRSTDATA goes high on the first falling edge of the  $\overline{CS}$  signal when the MSB of channel 1 is output on DOUTA. The FRSTDATA output remains high for the next 16 SCLK cycles until all data bits of channel 1 are read from the device. The FRSTDATA output returns to a logic low level at the 16th falling edge of the SCLK signal. If data are also read on DOUTB in the serial mode, then FRSTDATA remains high when the first channel of the second set of channels is read from the device. The high state of FRSTDATA corresponds to channel 5 for the ADS8588S.

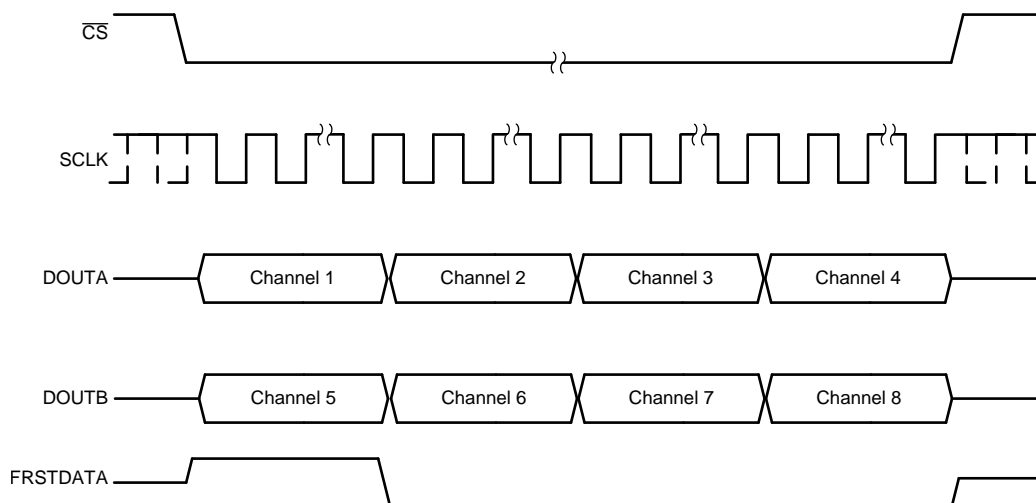
Based on the previous description of the different pins in serial interface mode, conversion data can be read out of the device in several different ways. Some example recommendations are provided as follows:

- The conversion data can be read out of the device using only one of the two serial output lines, DOUTA or DOUTB. In this case, using DOUTA for output data read back is recommended because channel 1 data appear first on DOUTA followed by the data for other channels in ascending order. To read the data for all channels, provide a total of  $16 \times 8 = 128$  SCLK cycles for the ADS8588S. This entire data frame can be created within a single  $\overline{CS}$  pulse or each group of 16 SCLK cycles can be individually framed by the  $\overline{CS}$  signal. The primary disadvantage of using just one data line for reading conversion data is that the throughput is reduced if a data read operation is performed after conversion. Figure 69 shows this operation.
- Alternatively, only DOUTB can be used for reading the conversion data from all channels. In this case, everything else remains the same and the output bit stream contains data for all channels in the following order: channels 5, 6, 7, 8, 1, 2, 3, and 4 for the ADS8588S. Figure 69 shows this operation.



**Figure 69. Data Read Back in the Serial Interface Using Either DOUTA or DOUTB Timing Diagram**

- In order to minimize the time for the data read operation in serial mode, both DOUTA and DOUTB can be used to read data out of the device. In this case, the conversion results from the first set of channels (channels 1-4 for the ADS8588S) appear on DOUTA and the conversion results from the second set of channels (channels 5-8 for the ADS8588S) appear first on DOUTB. To read the data for all channels, provide a total of  $16 \times 4 = 64$  SCLK cycles for the ADS8588S. This entire data frame can be created within a single  $\overline{CS}$  pulse or each group of 16 SCLK cycles can be individually framed by the  $\overline{CS}$  signal. Figure 70 shows an example timing diagram.



**Figure 70. Data Read Back in the Serial Interface Using Both DOUTA and DOUTB Timing Diagram**

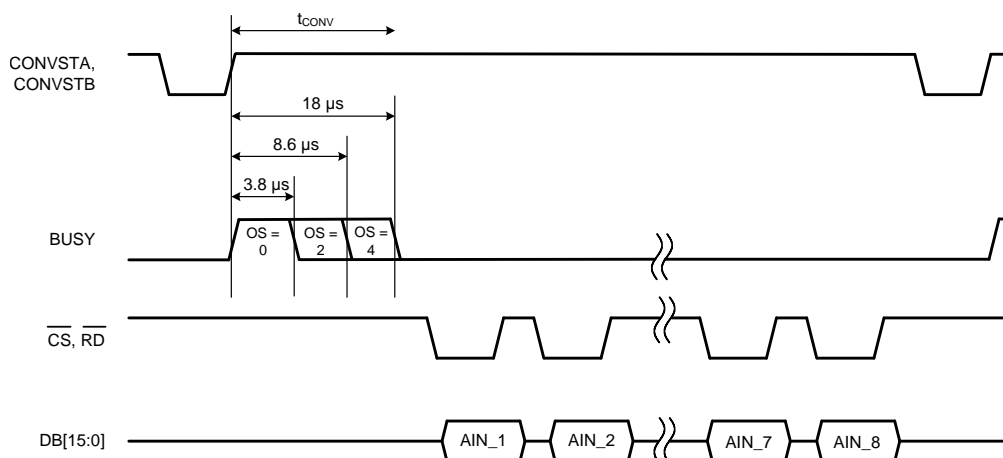
#### 8.4.2.3.4 Data Read During Conversion

The ADS8588S supports data read operation when the BUSY output is high and the internal ADC is converting. The ADC outputs conversion results for previous samples if data read back is performed during an ongoing conversion. Any of the three interface modes (parallel, parallel byte, or serial) in any combination of oversampling modes can be used to read the device output during an ongoing conversion. The data read back during conversion mode allows faster throughput to be achieved from the device. There is no degradation in performance if the data is read from the device during the conversion process, using any of the three interface modes.

The [Timing Requirements: Data Read Operation](#) table describes the timing diagram for data read back during conversion. The timing specification  $t_{DZ\_CSBSY}$  (the delay between the rising edge of the  $\overline{CS}$  signal and the falling edge of the BUSY signal) must be met because the output data registers are updated with the current conversion results just before the falling edge of the BUSY signal and any read operation during this time can corrupt the register update.

#### 8.4.2.4 Oversampling Mode of Operation

The ADS8588S supports the oversampling mode of operation using an on-chip averaging digital filter, as explained in the [Digital Filter and Noise](#) section. The device can be configured in oversampling mode by the OS[2:0] pins (see the [OS\[2:0\]](#) section). [Figure 71](#) shows a typical timing diagram for the oversampling mode of operation. The input on the OS pins is latched on the falling edge of the BUSY signal to configure the oversampling rate for the next conversion.

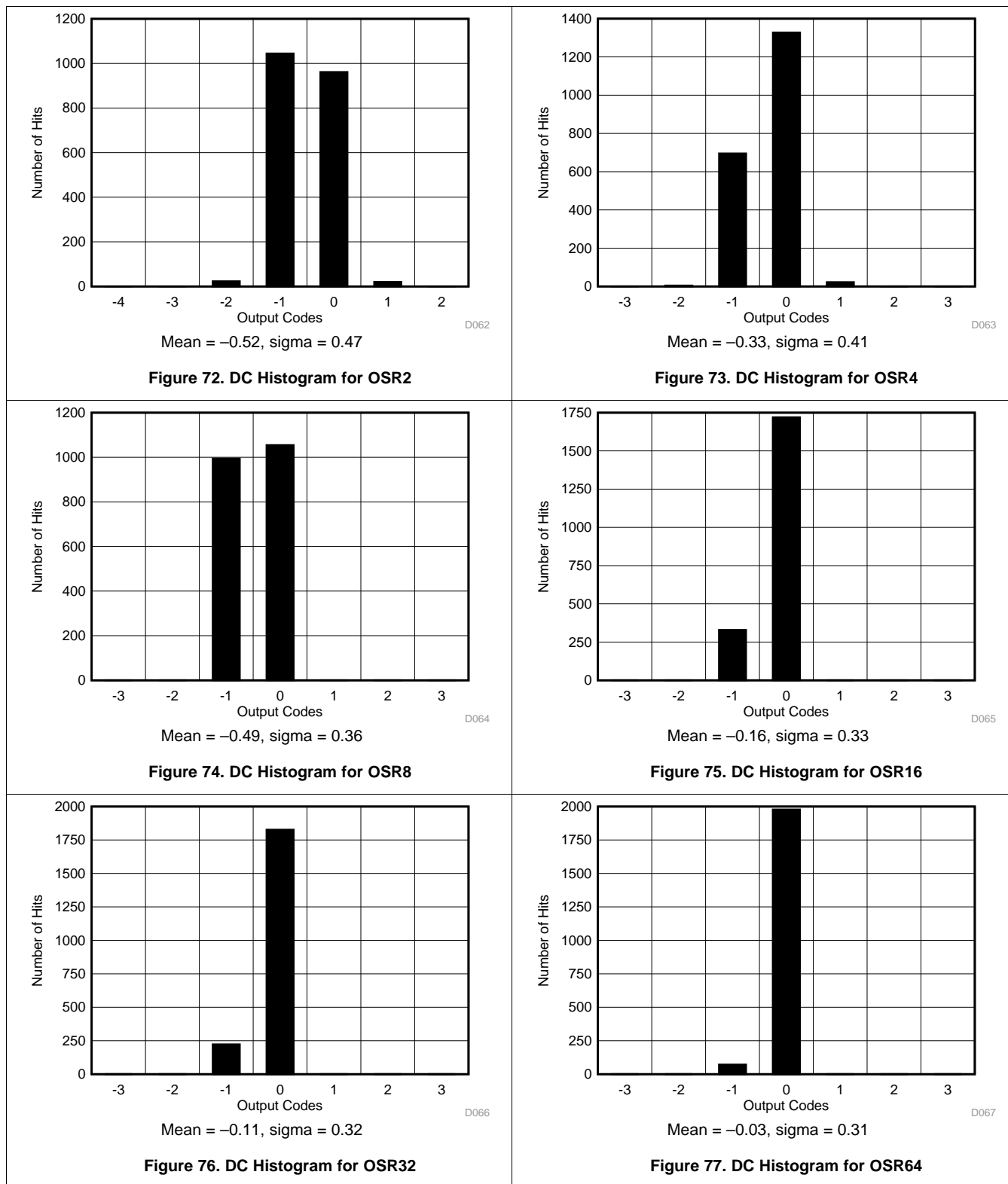


**Figure 71. OSR Mode Operation Timing Diagram**

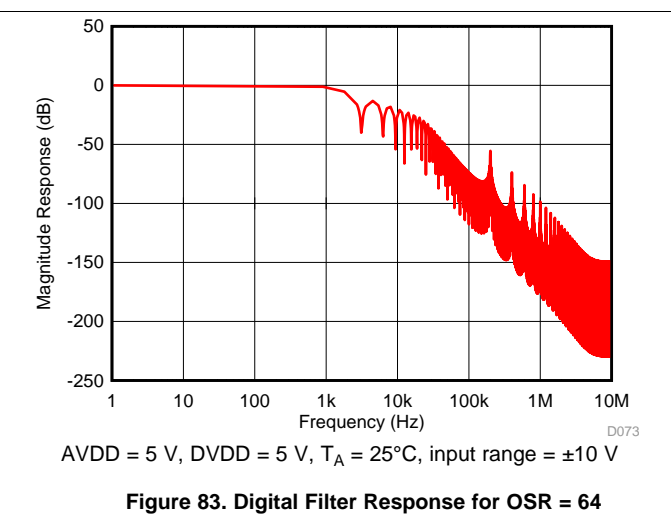
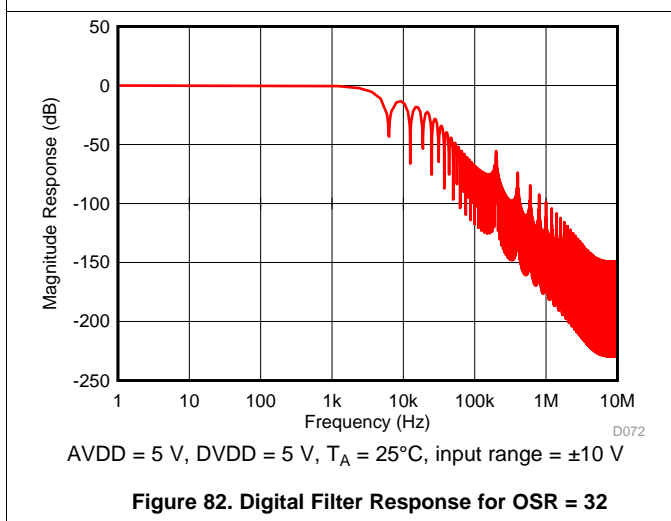
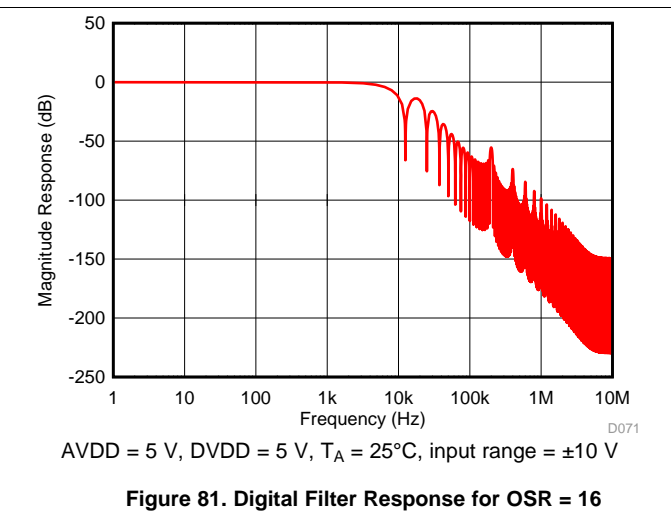
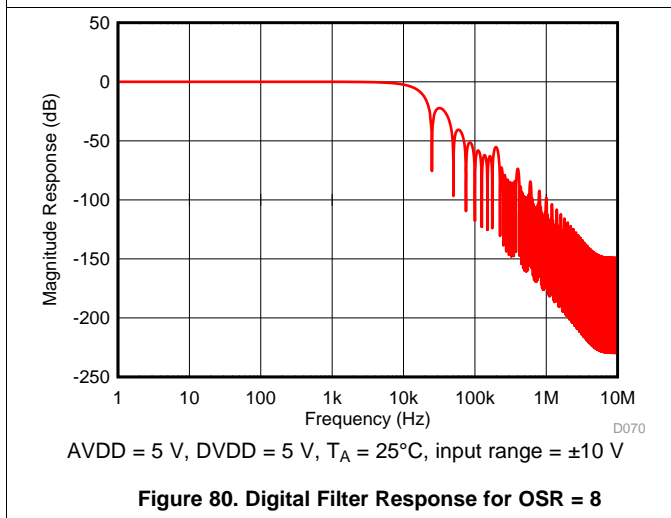
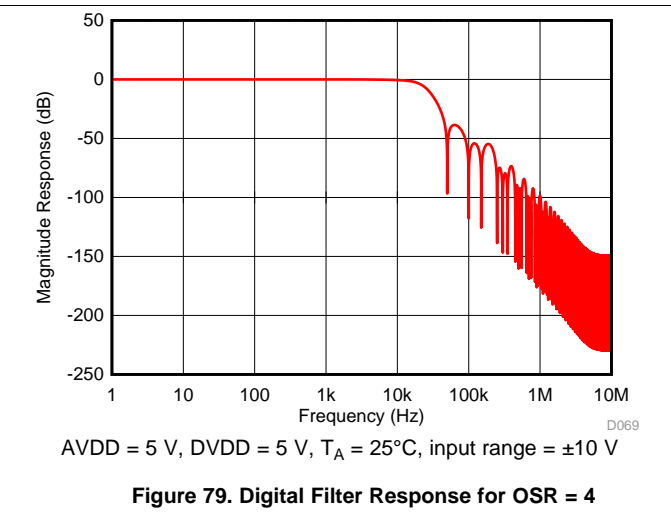
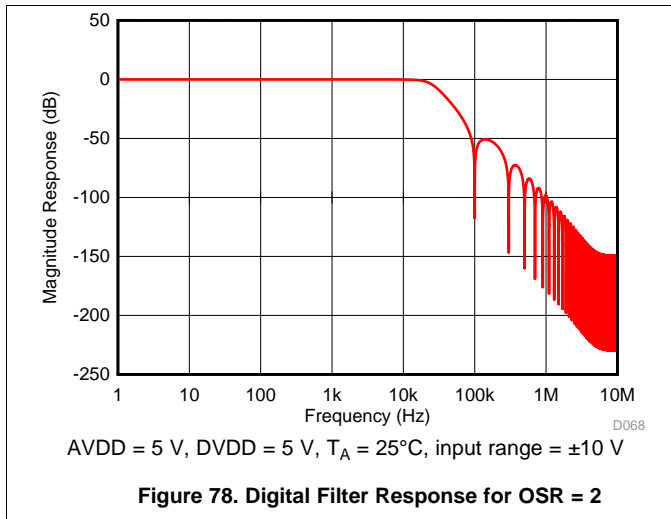
In the oversampling mode of operation, both the CONVST A and CONVST B signals must be tied together or driven together. As shown in [Figure 71](#), the BUSY signal duration varies with the OSR setting because the conversion time increases with increases in OSR. The high time for the BUSY signal increases with the OSR setting, as listed in the [Timing Requirements: CONVST Control](#) table.

For any particular OSR setting, the maximum achievable throughput per channel is specified in [Table 1](#). If the application is running at a lower throughput, then a higher OSR setting can be selected for further noise reduction and SNR improvement. To maximize the throughput per channel, perform a data read when BUSY is high and a conversion is ongoing in OSR mode. This process enables data read for the previous conversion (see the [Data Read During Conversion](#) section). At the falling edge of the BUSY signal, the internal data registers are updated with the new conversion data; thus the read operation must complete and  $\overline{CS}$  must be pulled high for at least  $t_{SU\_CSBSY}$  before BUSY goes low (see the [Timing Requirements: Data Read Operation](#) table).

Oversampling the input signal reduces noise during the conversion process, thus reducing the histogram code spread for a dc input signal to the ADC. Figure 72 to Figure 77 show the effect of oversampling on the output code spread in a dc histogram plot.



In OSR modes, the device adds a digital filter at the output of the ADC. The digital filter affects the frequency response of the entire data acquisition system including the internal low-pass analog filter and the oversampling digital filter. Figure 78 to Figure 83 show the frequency response curves for different OSR settings in the  $\pm 10$ -V range.



## 9 Application and Implementation

### NOTE

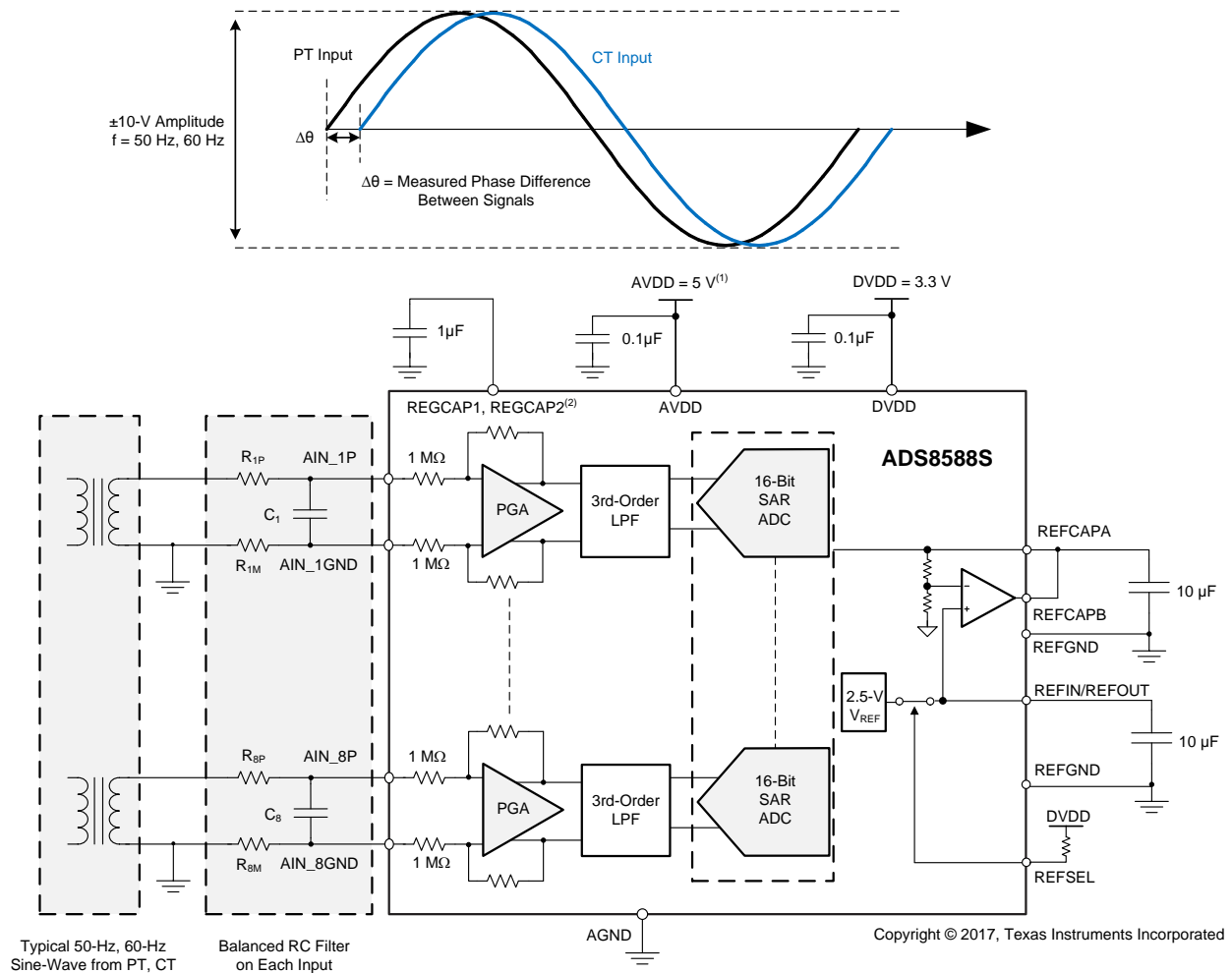
Information in the following applications sections is not part of the TI component specification, and TI does not warrant its accuracy or completeness. TI's customers are responsible for determining suitability of components for their purposes. Customers should validate and test their design implementation to confirm system functionality.

### 9.1 Application Information

The ADS8588S enables high-precision measurement of up to eight analog signals simultaneously. The device is a fully-integrated data acquisition system based on a 16-bit data acquisition (DAQ) system based on a 16-bit successive approximation (SAR) analog-to-digital converter (ADC). The device includes an integrated analog front-end for each input channel and an integrated voltage reference with a precision reference buffer. As such, this device does not require any additional active circuits for driving the reference analog input pins of the ADC.

### 9.2 Typical Application

#### 9.2.1 8-Channel, Data Acquisition System (DAQ) for Power Automation



- (1) Decoupling the AVDD capacitor applies to each AVDD pin.
- (2) REGCAP1 and REGCAP2: each pin requires separate decoupling capacitors.

**Figure 84. 8-Channel DAQ for Power Automation Using the ADS8588S**

## Typical Application (continued)

This application example involves the measurement of electrical variables in a power system. The accurate measurement of electrical variables in a power grid is extremely critical because this measurement helps to determine the operating status and running quality of the grid. Such accurate measurements also help to diagnose potential problems with the power network so that these problems can be resolved quickly without having any significant service impact. The key electrical parameters include amplitude, frequency, and phase measurement of the voltage and current on the power lines. These parameters are important to enable metrology in the power automation system to perform harmonic analysis, power factor calculation, power quality assessment, and so forth.

### 9.2.1.1 Design Requirements

To begin the design process, a few parameters must be decided upon. The designer must know the following:

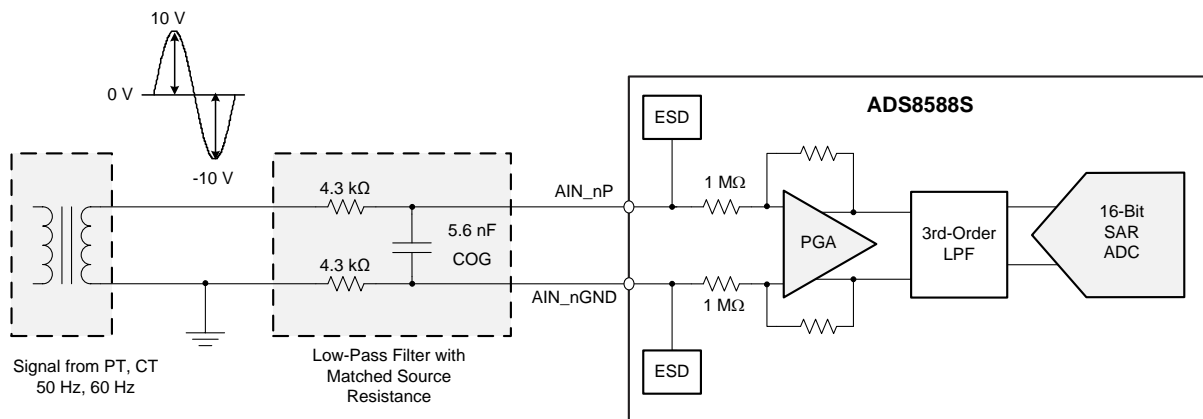
- Output range of the potential transformers (elements labeled PT in Figure 84)
- Output range of the current transformers (elements labeled CT in Figure 84)
- Input impedance required from the analog front-end for each channel
- Fundamental frequency of the power system
- Number of harmonics that must be acquired
- Type of signal conditioning required from the analog front end for each channel

### 9.2.1.2 Detailed Design Procedure

For the ADS8588S, each channel incorporates an analog front end composed of a programmable gain amplifier (PGA), analog low-pass filter, and ADC input driver. The analog input for each channel presents a constant resistive impedance of 1 MΩ independent of the ADC sampling frequency and range setting. The high input impedance of the analog front end circuit allows direct connection to potential transformers (PT) and current transformers (CT). The ADC inputs can support up to ±10-V or ±5-V bipolar inputs and the integrated signal conditioning eliminates the need for external amplifiers or ADC driver circuits.

The PT and CT used in the system, as illustrated in Figure 84, have a ±10-V output range. Although the PT and CT provide isolation from the power system, a series resistor must be placed on the analog input channels. The series resistor helps limit the input current to ±10 mA if the input voltages exceed ±15 V. For applications that require protection against overvoltage or fast transient events beyond the specified absolute maximum ratings of the device, an external protection clamp circuit using transient voltage suppressors (TVS) and ESD diodes is recommended.

A low-pass filter is used on each analog input channel to eliminate high-frequency noise pickup and minimize aliasing. Figure 85 shows an example of the recommended configuration for an input RC filter. A balanced RC filter configuration matches the external source resistance on the positive path (AIN\_nP) with an equal resistance on the negative path (AIN\_nGND). Matching the source impedance in the positive and negative path allows for better common-mode noise rejection and helps in maintaining the DC accuracy of the system by canceling any additional offset error contributed by the external series resistance.



Copyright © 2017, Texas Instruments Incorporated

Figure 85. Input RC Low-Pass Filter



### Typical Application (continued)

The primary goal of the data acquisition system illustrated in [Figure 84](#) is to measure up to 20 harmonics in a 60-Hz power network. Thus, the analog front-end must have sufficient bandwidth to detect signals up to 1260 Hz, as shown in [Equation 1](#).

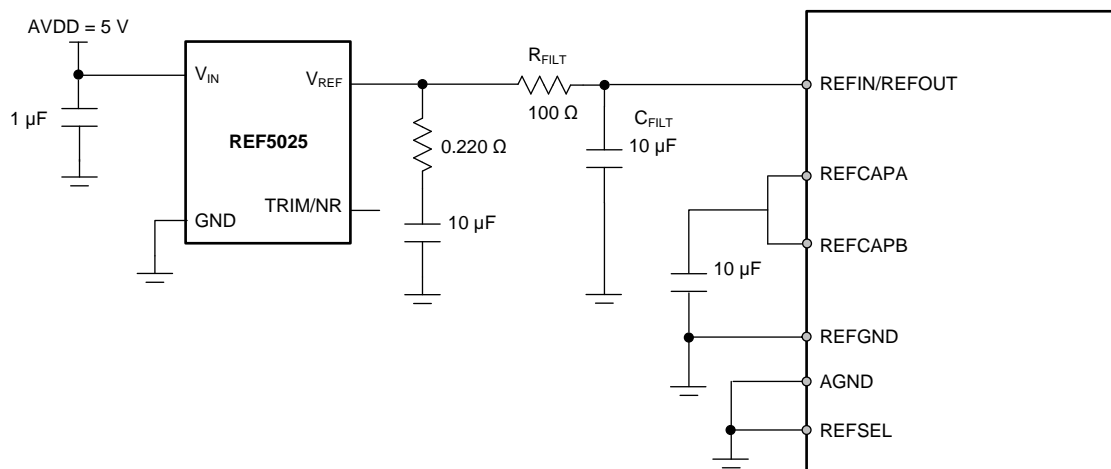
$$f_{\text{MIN}} = (20 + 1) \times 60\text{Hz} = 1260\text{Hz} \quad (1)$$

Based on the bandwidth calculated in [Equation 1](#), the ADS8588S is set to simultaneously sample all eight channels at 20 kSPS, which is sufficient throughput to clearly resolve the highest harmonic component of the input signal. The pass band of the low-pass filter configuration shown in [Figure 85](#) is determined by the  $-3\text{-dB}$  frequency, calculated according to [Equation 2](#).

$$f_{-3\text{dB}} = \frac{1}{2\pi \times (R1 + R2) \times C_f} = \frac{1}{2\pi \times (4.3\text{k}\Omega + 4.3\text{k}\Omega) \times 5.6\text{nF}} = 3.3\text{kHz} \quad (2)$$

The value of  $C_f$  is selected as 5.6 nF, a standard capacitance value available in 0603-size surface-mount components. In combination with the resistor  $R_f$ , this low-pass filter provides sufficient bandwidth to accommodate the required 20 harmonics for the input signal of 60 Hz.

The ADS8588S can operate with either the internal voltage reference or an external reference. The [Internal Reference](#) section describes the electrical connections and recommended bypass capacitors when using the internal reference. Alternatively for applications that require a higher precision voltage reference, [Figure 86](#) shows an example of an external reference circuit. The [REF5025](#) provides a very low drift, and very accurate external 2.5-V reference. The resistor  $R_{\text{FILT}}$  and capacitor  $C_{\text{FILT}}$  form a low-pass filter to reduce the broadband noise and minimize the resulting effect of the reference noise on the system performance.



Copyright © 2017, Texas Instruments Incorporated

**Figure 86. External Reference Circuit for the ADS8588S**

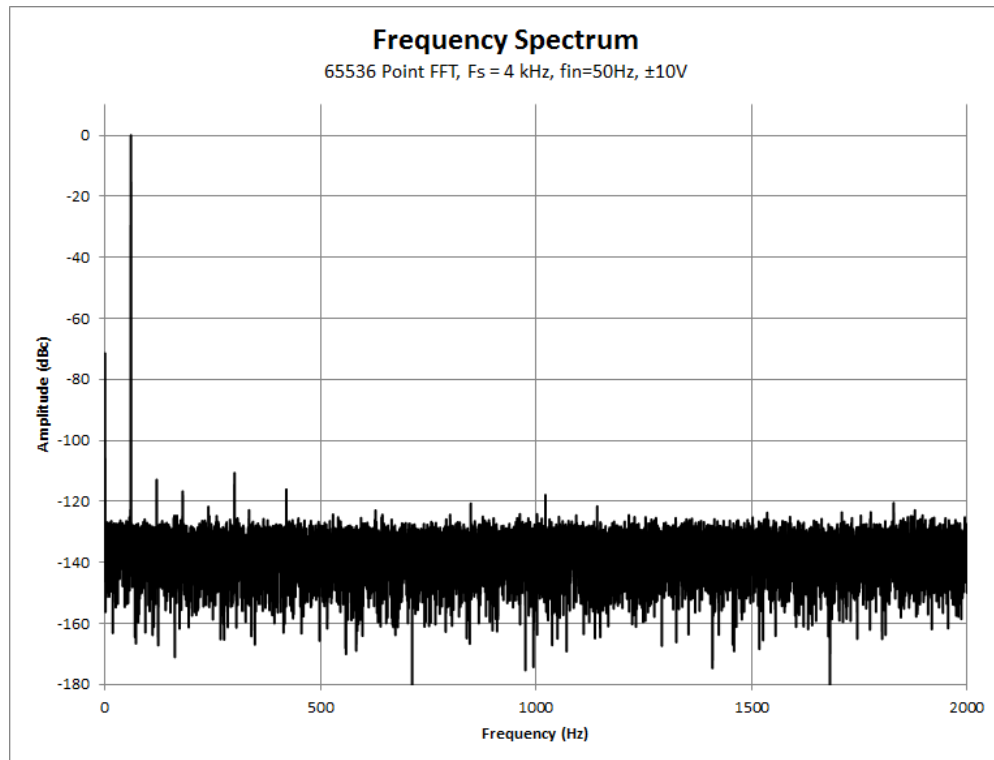
**Typical Application (continued)**

**9.2.1.3 Application Curve**

Figure 87 shows the frequency spectrum of the data acquired by the ADS8588S for a sinusoidal,  $\pm 10$ -V input at 60 Hz.

The ac performance parameters measured by this design are:

- SNR = 92.75 dB; SINAD = 92.6 dB
- THD = -107 dB; SFDR = 110.7 dB



**Figure 87. Frequency Spectrum for a Sinusoidal  $\pm 10$ -V Signal at 50 Hz**

## 10 Power Supply Recommendations

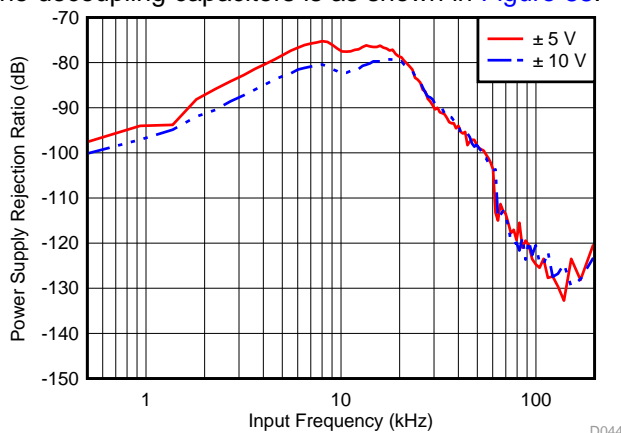
The ADS8588S uses two separate power supplies: AVDD and DVDD. The AVDD supply provides power to the ADC and internal circuits, and DVDD is used for the digital interface. AVDD and DVDD can be set independently to voltages within the permissible range.

The AVDD supply can be set in the range of 4.75 V to 5.25 V. A low-noise, linear regulator is recommended to generate the analog supply voltage. The device has four AVDD pins. Each AVDD pin must be decoupled with respect to AGND using a 1- $\mu$ F capacitor. Place the 1- $\mu$ F capacitor as close to the supply pins as possible.

The DVDD supply is used to drive the digital I/O buffers and can be set in the range of 2.3 V to a maximum value equal to the AVDD voltage. This range allows the device to interface with most state-of-the-art processors and controllers. Place a 1- $\mu$ F (minimum 100-nF) decoupling capacitor in close proximity to the DVDD supply to provide the high-frequency digital switching current.

There are no specific requirements with regard to the power-supply sequencing of the device. However, issue a reset after the supplies are powered and are stable to ensure the device is properly configured.

The typical PSRR curve with the decoupling capacitors is as shown in [Figure 88](#).



**Figure 88. PSRR Across Frequency (With Decapacitor)**

## 11 Layout

### 11.1 Layout Guidelines

[Figure 89](#) and [Figure 90](#) illustrate a PCB layout example for the ADS8588S.

- Partition the PCB into analog and digital sections. Care must be taken to ensure that the analog signals are kept away from the digital lines. This layout helps keep the analog input and reference input signals away from the digital noise. In this layout example, the analog input and reference signals are routed on the left side of the board and the digital connections are routed on the right side of the board.
- Using a single common ground plane is strongly recommended. For designs requiring a split analog and digital ground planes, the analog and digital ground planes must be at the same potential joined together in close proximity to the device.
- Power sources to the ADS8588S must be clean and well-bypassed. As a result of dynamic currents during conversion, each AVDD must have a decoupling capacitor to keep the supply voltage stable. Use wide traces or a dedicated analog supply plane to minimize trace inductance and reduce glitches. Using a 1- $\mu$ F, X7R-grade, 0603-size ceramic capacitor is recommended in close proximity to each analog (AVDD) supply pins. Bypass capacitors for AVDD pins 1 and 48 are located on the top layer; see [Figure 89](#). AVDD supply pins 37 and 38 are connected to bypass capacitors in the bottom layer using an isolated via (1); see [Figure 90](#). A separate via (2) is used to connect the bypass capacitor to the AVDD plane.
- For decoupling the digital (DVDD) supply pin, a 1- $\mu$ F, X7R-grade, 0603-size ceramic capacitor is recommended. The DVDD bypass capacitor is located in the bottom layer; see [Figure 90](#).
- REFCAPA and REFCAPB must be shorted together and decoupled to REFGND using a 10- $\mu$ F, X7R-grade, 0603-size ceramic capacitor placed in close proximity to the pins of the device. This capacitor is placed on the top layer and directly connected to the pins of the device. Avoid placing vias between the REFCAPA, REFCAPB pins and the decoupling capacitor.
- The REFIN/REFOUT pin also must be decoupled to REFGND with a 10- $\mu$ F, X7R-grade, 0603-size ceramic capacitor if the internal reference of the device is used. The capacitor must be placed on the top layer in close to the device pin. Avoid placing vias between the REFIN/REFOUT pin and the decoupling capacitor.
- The REGCAP1 and REGCAP2 pins must be decoupled to GND using a separate 1- $\mu$ F, X7R-grade, 0603-size ceramic capacitor on each pin.
- All ground pins (AGND) must be connected to the ground plane using short, low-impedance paths and independent vias to the ground plane. Connect REFGND to the common GND plane.
- For the optional channel input low-pass filters, ceramic surface-mount capacitors, COG (NPO) ceramic capacitors provide the best capacitance precision. The type of dielectric used in COG (NPO) ceramic capacitors provides the most stable electrical properties over voltage, frequency, and temperature changes.

### 11.2 Layout Example

[Figure 89](#) and [Figure 90](#) illustrate a recommended layout for the ADS8588S along with proper decoupling and reference capacitor placement and connections.

Layout Example (continued)

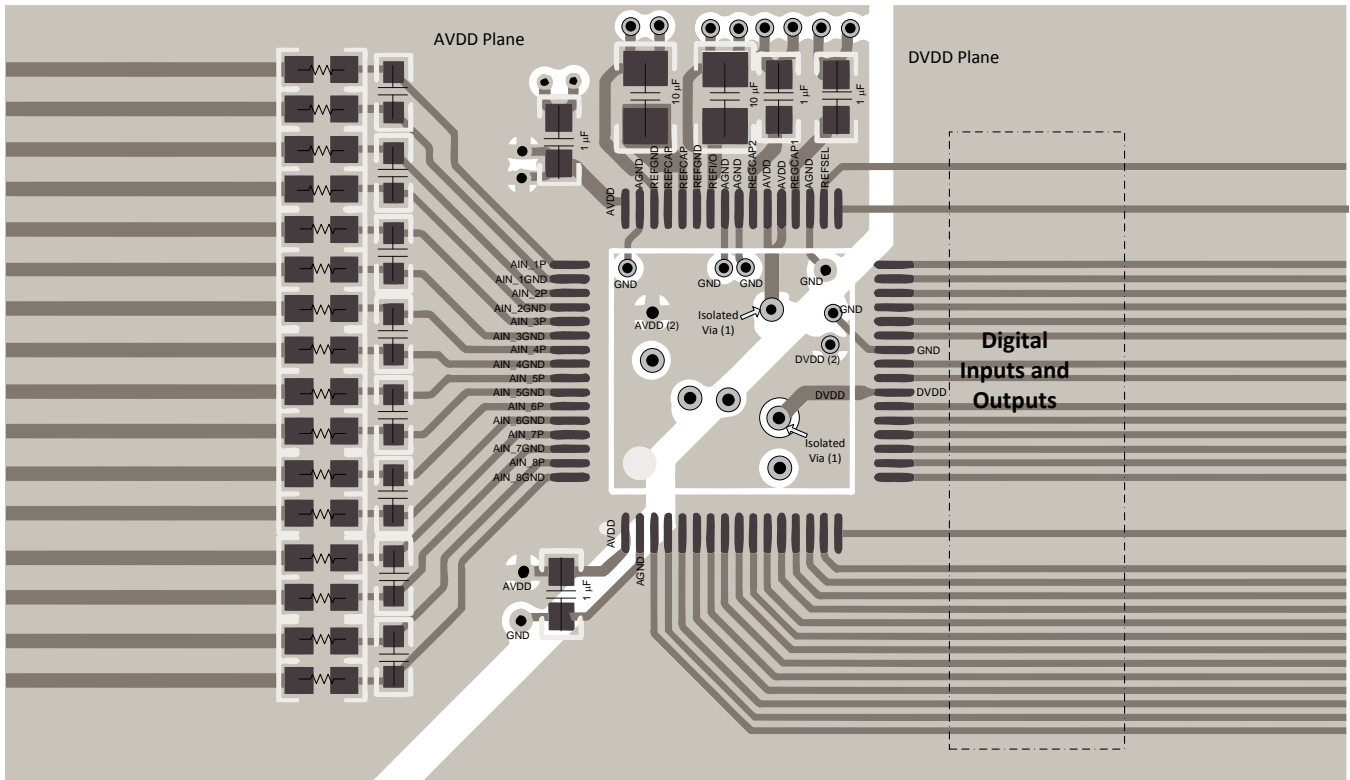


Figure 89. Top Layer Layout

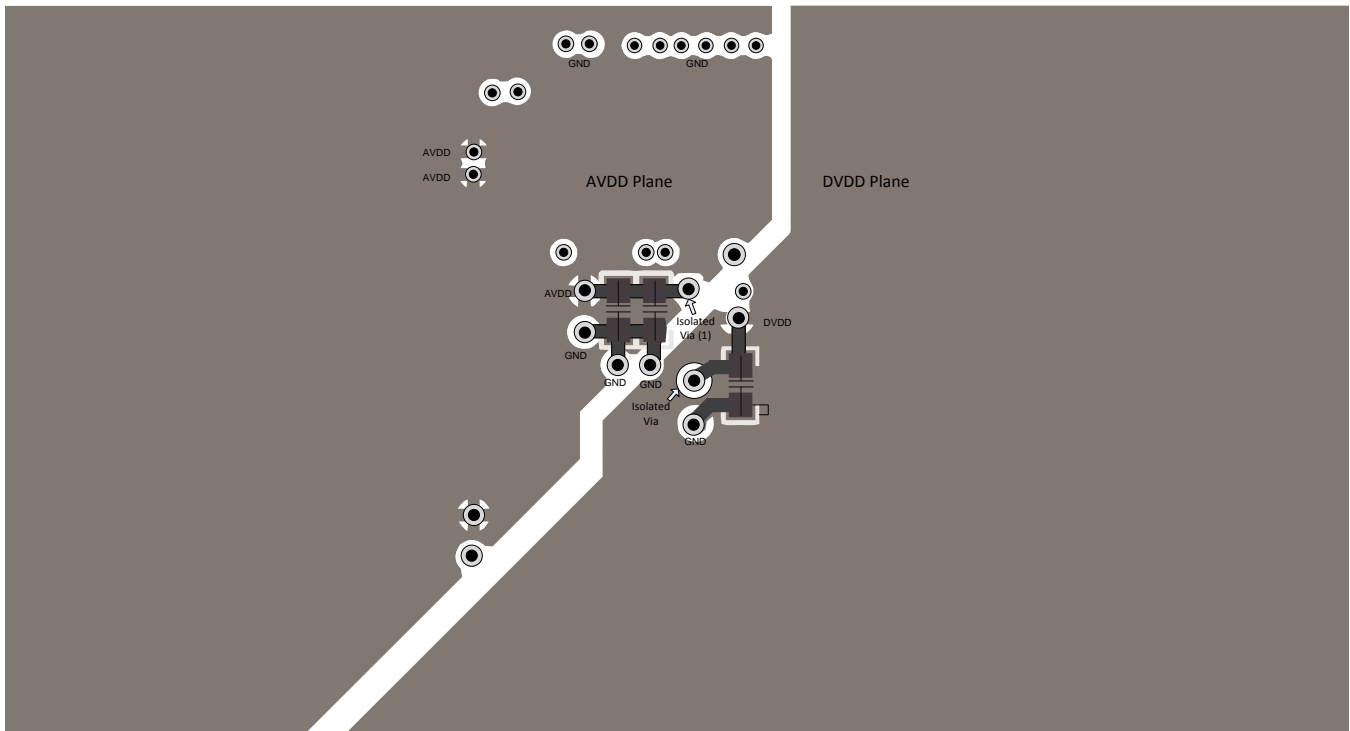


Figure 90. Bottom Layer Layout

## 12 器件和文档支持

### 12.1 文档支持

#### 12.1.1 相关文档

请参阅如下相关文档：

- [具有关断功能的 OPAx320 高精度 20MHz、0.9pA、低噪声、RRIO、CMOS 运算放大器](#)
- [AN-2029 操作和处理相关建议应用报告](#)
- [《REF50xx 低噪声、极低漂移、高精度电压基准》](#)

### 12.2 接收文档更新通知

要接收文档更新通知，请导航至 [ti.com](http://ti.com) 上的器件产品文件夹。请单击右上角的通知我进行注册，即可收到任意产品信息更改每周摘要。有关更改的详细信息，请查看任意已修订文档中包含的修订历史记录。

### 12.3 社区资源

The following links connect to TI community resources. Linked contents are provided "AS IS" by the respective contributors. They do not constitute TI specifications and do not necessarily reflect TI's views; see TI's [Terms of Use](#).

**TI E2E™ Online Community** *TI's Engineer-to-Engineer (E2E) Community*. Created to foster collaboration among engineers. At [e2e.ti.com](http://e2e.ti.com), you can ask questions, share knowledge, explore ideas and help solve problems with fellow engineers.

**Design Support** *TI's Design Support* Quickly find helpful E2E forums along with design support tools and contact information for technical support.

### 12.4 商标

E2E is a trademark of Texas Instruments.

All other trademarks are the property of their respective owners.

### 12.5 静电放电警告



ESD 可能会损坏该集成电路。德州仪器 (TI) 建议通过适当的预防措施处理所有集成电路。如果不遵守正确的处理措施和安装程序，可能会损坏集成电路。

ESD 的损坏小至导致微小的性能降级，大至整个器件故障。精密的集成电路可能更容易受到损坏，这是因为非常细微的参数更改都可能会导致器件与其发布的规格不相符。

### 12.6 Glossary

[SLYZ022](#) — *TI Glossary*.

This glossary lists and explains terms, acronyms, and definitions.

## 13 机械、封装和可订购信息

以下页面包括机械、封装和可订购信息。这些信息是指定器件的最新可用数据。这些数据发生变化时，我们可能不会另行通知或修订此文档。如欲获取此产品说明书的浏览器版本，请参见左侧的导航栏。

**PACKAGING INFORMATION**

Orderable Device	Status (1)	Package Type	Package Drawing	Pins	Package Qty	Eco Plan (2)	Lead/Ball Finish (6)	MSL Peak Temp (3)	Op Temp (°C)	Device Marking (4/5)	Samples
ADS8588SIPM	ACTIVE	LQFP	PM	64	160	Green (RoHS & no Sb/Br)	CU NIPDAU-DCC	Level-3-260C-168 HR	-40 to 125	ADS8588S	<a href="#">Samples</a>
ADS8588SIPMR	ACTIVE	LQFP	PM	64	1000	Green (RoHS & no Sb/Br)	CU NIPDAU-DCC	Level-3-260C-168 HR	-40 to 125	ADS8588S	<a href="#">Samples</a>

(1) The marketing status values are defined as follows:

**ACTIVE:** Product device recommended for new designs.

**LIFEBUY:** TI has announced that the device will be discontinued, and a lifetime-buy period is in effect.

**NRND:** Not recommended for new designs. Device is in production to support existing customers, but TI does not recommend using this part in a new design.

**PREVIEW:** Device has been announced but is not in production. Samples may or may not be available.

**OBSELETE:** TI has discontinued the production of the device.

(2) **RoHS:** TI defines "RoHS" to mean semiconductor products that are compliant with the current EU RoHS requirements for all 10 RoHS substances, including the requirement that RoHS substance do not exceed 0.1% by weight in homogeneous materials. Where designed to be soldered at high temperatures, "RoHS" products are suitable for use in specified lead-free processes. TI may reference these types of products as "Pb-Free".

**RoHS Exempt:** TI defines "RoHS Exempt" to mean products that contain lead but are compliant with EU RoHS pursuant to a specific EU RoHS exemption.

**Green:** TI defines "Green" to mean the content of Chlorine (Cl) and Bromine (Br) based flame retardants meet JS709B low halogen requirements of <=1000ppm threshold. Antimony trioxide based flame retardants must also meet the <=1000ppm threshold requirement.

(3) MSL, Peak Temp. - The Moisture Sensitivity Level rating according to the JEDEC industry standard classifications, and peak solder temperature.

(4) There may be additional marking, which relates to the logo, the lot trace code information, or the environmental category on the device.

(5) Multiple Device Markings will be inside parentheses. Only one Device Marking contained in parentheses and separated by a "~" will appear on a device. If a line is indented then it is a continuation of the previous line and the two combined represent the entire Device Marking for that device.

(6) Lead/Ball Finish - Orderable Devices may have multiple material finish options. Finish options are separated by a vertical ruled line. Lead/Ball Finish values may wrap to two lines if the finish value exceeds the maximum column width.

**Important Information and Disclaimer:**The information provided on this page represents TI's knowledge and belief as of the date that it is provided. TI bases its knowledge and belief on information provided by third parties, and makes no representation or warranty as to the accuracy of such information. Efforts are underway to better integrate information from third parties. TI has taken and continues to take reasonable steps to provide representative and accurate information but may not have conducted destructive testing or chemical analysis on incoming materials and chemicals. TI and TI suppliers consider certain information to be proprietary, and thus CAS numbers and other limited information may not be available for release.

In no event shall TI's liability arising out of such information exceed the total purchase price of the TI part(s) at issue in this document sold by TI to Customer on an annual basis.





## TAPE AND REEL INFORMATION



### QUADRANT ASSIGNMENTS FOR PIN 1 ORIENTATION IN TAPE



\*All dimensions are nominal

Device	Package Type	Package Drawing	Pins	SPQ	Reel Diameter (mm)	Reel Width W1 (mm)	A0 (mm)	B0 (mm)	K0 (mm)	P1 (mm)	W (mm)	Pin1 Quadrant
ADS8588SIPMR	LQFP	PM	64	1000	330.0	24.4	13.0	13.0	2.1	16.0	24.0	Q2

## TAPE AND REEL BOX DIMENSIONS

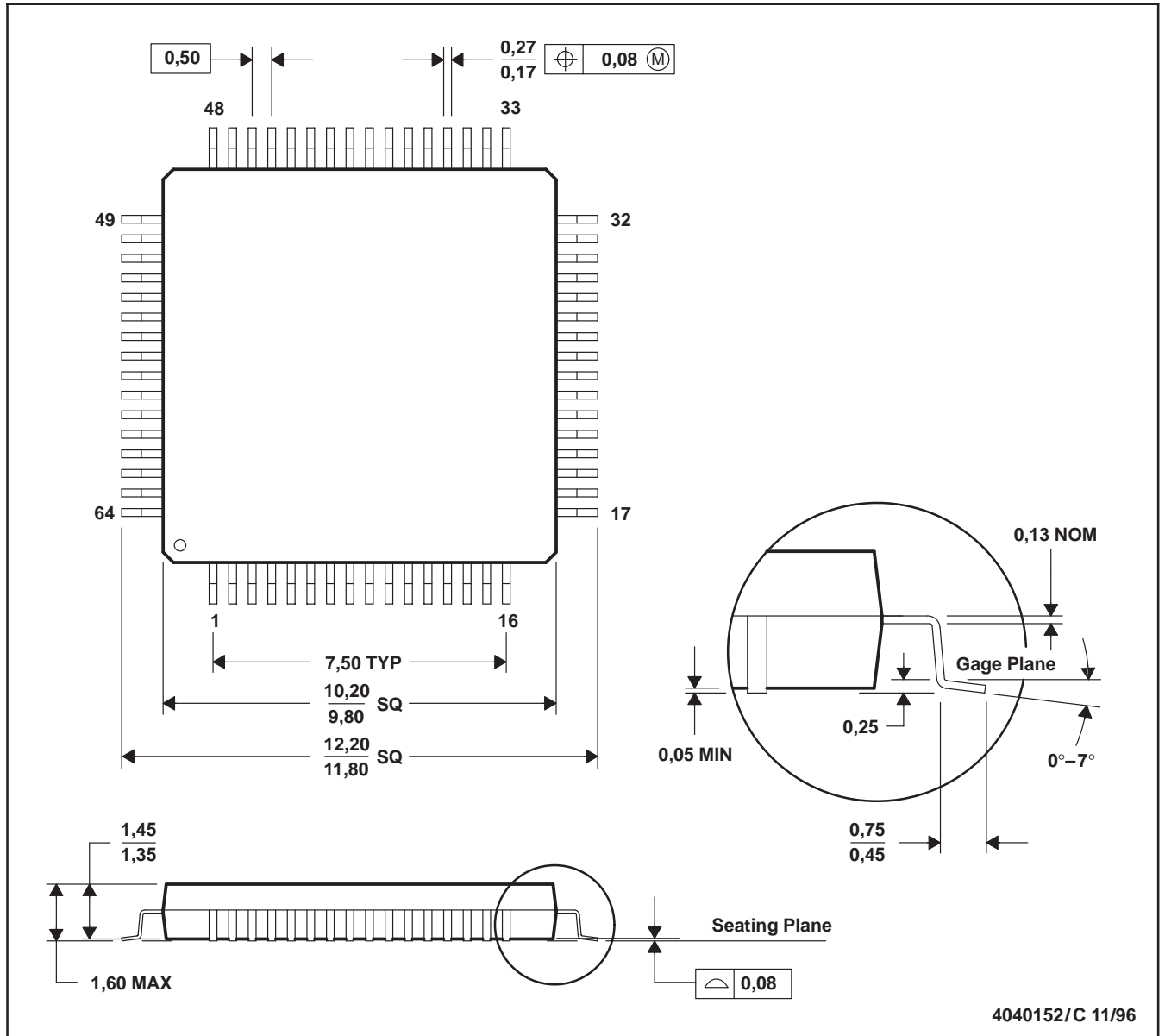


\*All dimensions are nominal

Device	Package Type	Package Drawing	Pins	SPQ	Length (mm)	Width (mm)	Height (mm)
ADS8588SIPMR	LQFP	PM	64	1000	367.0	367.0	45.0

PM (S-PQFP-G64)

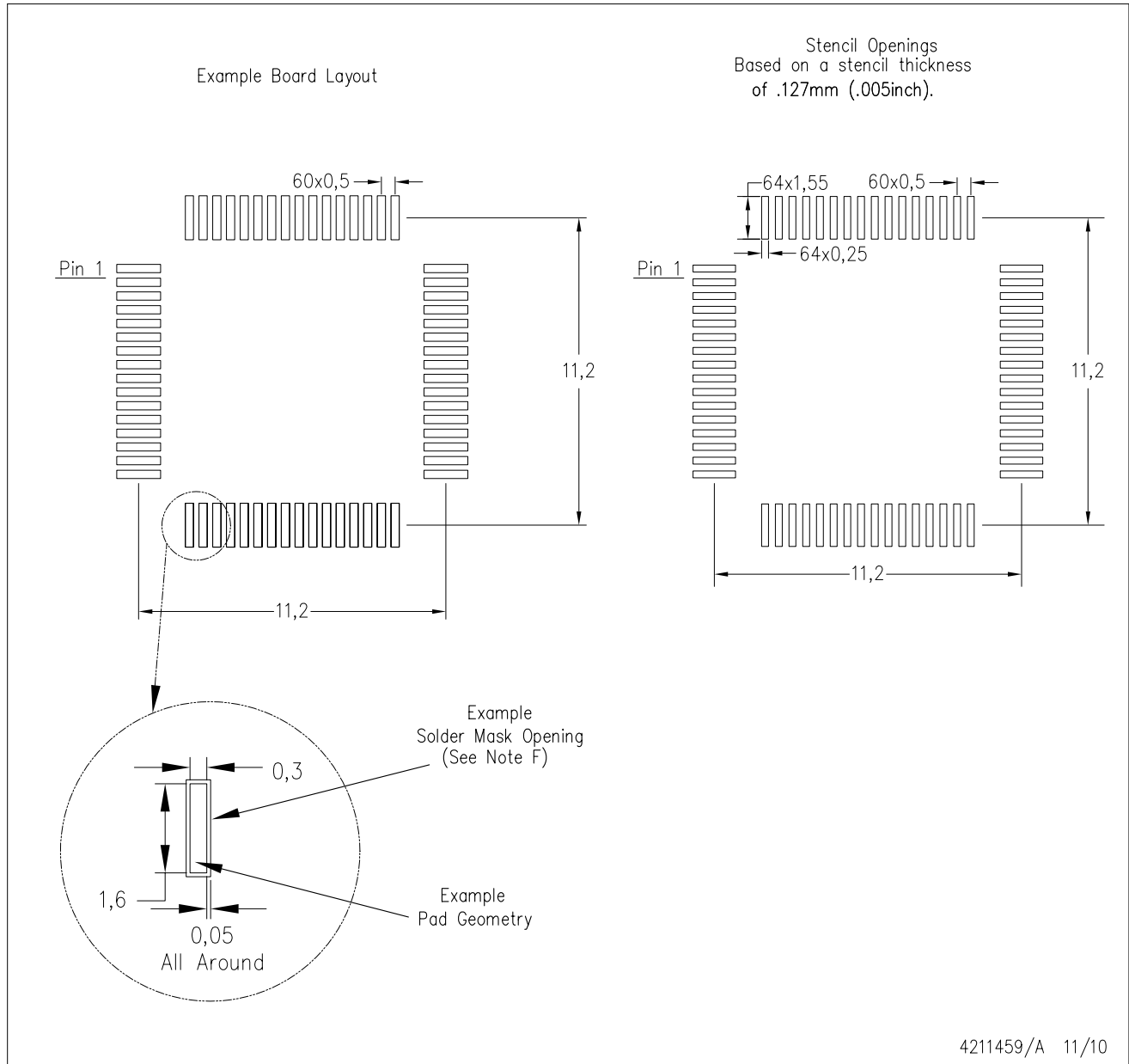
PLASTIC QUAD FLATPACK



- NOTES: A. All linear dimensions are in millimeters.  
 B. This drawing is subject to change without notice.  
 C. Falls within JEDEC MS-026  
 D. May also be thermally enhanced plastic with leads connected to the die pads.

PM (S-PQFP-G64)

PLASTIC QUAD FLATPACK



- NOTES:
- A. All linear dimensions are in millimeters.
  - B. This drawing is subject to change without notice.
  - C. Laser cutting apertures with trapezoidal walls and also rounding corners will offer better paste release. Customers should contact their board assembly site for stencil design recommendations. Example stencil design based on a 50% volumetric metal load solder paste. Refer to IPC-7525 for other stencil recommendations.
  - D. Customers should contact their board fabrication site for solder mask tolerances between and around signal pads.

## 重要声明

德州仪器 (TI) 公司有权按照最新发布的 JESD46 对其半导体产品和服务进行纠正、增强、改进和其他修改，并不再按最新发布的 JESD48 提供任何产品和服务。买方在下订单前应获取最新的相关信息，并验证这些信息是否完整且是最新的。

TI 公布的半导体产品销售条款 (<http://www.ti.com/sc/docs/stdterms.htm>) 适用于 TI 已认证和批准上市的已封装集成电路产品的销售。另有其他条款可能适用于其他类型 TI 产品及服务的使用或销售。

复制 TI 数据表上 TI 信息的重要部分时，不得变更该等信息，且必须随附所有相关保证、条件、限制和通知，否则不得复制。TI 对该等复制文件不承担任何责任。第三方信息可能受到其它限制条件的制约。在转售 TI 产品或服务时，如果存在对产品或服务参数的虚假陈述，则会失去相关 TI 产品或服务的明示或暗示保证，且构成不公平的、欺诈性商业行为。TI 对此类虚假陈述不承担任何责任。

买方和在系统中整合 TI 产品的其他开发人员（总称“设计人员”）理解并同意，设计人员在设计应用时应自行实施独立的分析、评价和判断，且应全权负责并确保应用的安全性，及设计人员的应用（包括应用中使用的 TI 产品）应符合所有适用的法律法规及其他相关要求。设计人员就自己设计的应用声明，其具备制订和实施下列保障措施所需的一切必要专业知识，能够 (1) 预见故障的危险后果，(2) 监视故障及其后果，以及 (3) 降低可能导致危险的故障几率并采取适当措施。设计人员同意，在使用或分发包含 TI 产品的任何应用前，将彻底测试该等应用和该等应用中所用 TI 产品的功能。

TI 提供技术、应用或其他设计建议、质量特点、可靠性数据或其他服务或信息，包括但不限于与评估模块有关的参考设计和材料（总称“TI 资源”），旨在帮助设计人员开发整合了 TI 产品的应用，如果设计人员（个人，或如果是代表公司，则为设计人员的公司）以任何方式下载、访问或使用任何特定的 TI 资源，即表示其同意仅为该等目标，按照本通知的条款使用任何特定 TI 资源。

TI 所提供的 TI 资源，并未扩大或以其他方式修改 TI 对 TI 产品的公开适用的质保及质保免责声明；也未导致 TI 承担任何额外的义务或责任。TI 有权对其 TI 资源进行纠正、增强、改进和其他修改。除特定 TI 资源的公开文档中明确列出的测试外，TI 未进行任何其他测试。

设计人员只有在开发包含该等 TI 资源所列 TI 产品的应用时，才被授权使用、复制和修改任何相关 TI 资源。但并未依据禁止反言原则或其他法律授予您任何 TI 知识产权的任何其他明示或默示的许可，也未授予您 TI 或第三方的任何技术或知识产权的许可，该等许可包括但不限于任何专利权、版权、屏蔽作品权或与美国 TI 产品或服务的任何整合、机器制作、流程相关的其他知识产权。涉及或参考了第三方产品或服务的信息不构成使用此类产品或服务的许可或与其相关的保证或认可。使用 TI 资源可能需要您向第三方获得对该等第三方专利或其他知识产权的许可。

TI 资源系“按原样”提供。TI 兹免除对资源及其使用作出所有其他明确或默示的保证或陈述，包括但不限于对准确性或完整性、产权保证、无屡发故障保证，以及适销性、适合特定用途和不侵犯任何第三方知识产权的任何默认保证。TI 不负责任何申索，包括但不限于因组合产品所致或与之有关的申索，也不为或对设计人员进行辩护或赔偿，即使该等产品组合已列于 TI 资源或其他地方。对因 TI 资源或其使用引起或与之有关的任何实际的、直接的、特殊的、附带的、间接的、惩罚性的、偶发的、从属或惩戒性损害赔偿，不管 TI 是否获悉可能会产生上述损害赔偿，TI 概不负责。

除 TI 已明确指出特定产品已达到特定行业标准（例如 ISO/TS 16949 和 ISO 26262）的要求外，TI 不对未达到任何该等行业标准要求而承担任何责任。

如果 TI 明确宣称产品有助于功能安全或符合行业功能安全标准，则该等产品旨在帮助客户设计和创作自己的符合相关功能安全标准和要求的的应用。在应用内使用产品的行为本身不会配有安全特性。设计人员必须确保遵守适用于其应用的相关安全要求和标准。设计人员不可将任何 TI 产品用于关乎性命的医疗设备，除非已由各方获得授权的管理人员签署专门的合同对此类应用专门作出规定。关乎性命的医疗设备是指出现故障会导致严重身体伤害或死亡的医疗设备（例如生命保障设备、心脏起搏器、心脏除颤器、人工心脏泵、神经刺激器以及植入设备）。此类设备包括但不限于，美国食品药品监督管理局认定为 III 类设备的设备，以及在美国以外的其他国家或地区认定为同等类别设备的所有医疗设备。

TI 可能明确指定某些产品具备某些特定资格（例如 Q100、军用级或增强型产品）。设计人员同意，其具备一切必要专业知识，可以为自己的应用选择适合的产品，并且正确选择产品的风险由设计人员承担。设计人员单方面负责遵守与该等选择有关的所有法律或监管要求。

设计人员同意向 TI 及其代表全额赔偿因其不遵守本通知条款和条件而引起的任何损害、费用、损失和/或责任。

邮寄地址：上海市浦东新区世纪大道 1568 号中建大厦 32 楼，邮政编码：200122  
Copyright © 2017 德州仪器半导体技术（上海）有限公司