

ULTRA LOW PHASE NOISE AMPLIFIER MODULE, 7 - 11 GHz

Features

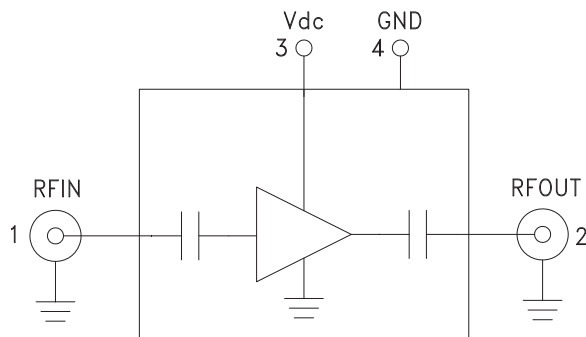
- Ultra Low Phase Noise: -170 dBc/Hz @ 1 kHz
- Noise Figure: 6 dB
- Gain: 9 dB
- Psat: +25 dBm
- 50 Ohm Matched Input/Output
- Single Supply Voltage: +7V @ 300mA
- Hermetically Sealed Module
- Field Replaceable SMA Connectors
- 55 °C to +85 °C Operating Temperature

Typical Applications

The HMC-C076 is ideal for:

- Microwave Radio
- Military & Space
- Test Instrumentation
- VSAT

Functional Diagram



General Description

The HMC-C076 is a GaAs HBT Ultra Low Noise Amplifier in a miniature, hermetic module designed to operate between 7 and 11 GHz. This high dynamic range amplifier module provides 9 dB of gain, 6 dB noise figure and up to +25 dBm of output power with a single supply of +7V. The ultra low phase noise contribution of -170 dBc/Hz at 1 kHz offset, enables superior modulation accuracy within transceiver architectures. The wideband distributed amplifier I/O's are internally matched to 50 Ohms and DC blocked for robust performance. The module features removable SMA connectors which can be detached to allow direct connection of the I/O pins to a microstrip or coplanar circuit.

Electrical Specifications, $T_A = +25^\circ\text{C}$, $V_{dc} = +7\text{V}$

Parameter	Min.	Typ.	Max.	Units
Frequency Range		7 - 11		GHz
Vdc Range	6	7	8	V
Gain	5	9		dB
Gain Variation Over Temperature		0.02		dB/ °C
Noise Figure		6		dB
Input Return Loss		12		dB
Output Return Loss		15		dB
Output Power for 1 dB Compression (P1dB)	20	22		dBm
Saturated Output Power (Psat)		25		dBm
Output Third Order Intercept (IP3)		33		dBm
Phase Noise @ 100 Hz, Psat, 9 GHz		-160		dBc/Hz
Phase Noise @ 1 kHz, Psat, 9 GHz		-170		dBc/Hz
Phase Noise @ 10 kHz, Psat, 9 GHz		-180		dBc/Hz
Supply Current		300	360	mA

Information furnished by Analog Devices is believed to be accurate and reliable. However, no responsibility is assumed by Analog Devices for its use, nor for any infringements of patents or other rights of third parties that may result from its use. Specifications subject to change without notice. No license is granted by implication or otherwise under any patent or patent rights of Analog Devices. Trademarks and registered trademarks are the property of their respective owners.

For price, delivery, and to place orders: Analog Devices, Inc., One Technology Way, P.O. Box 9106, Norwood, MA 02062-9106
Phone: 781-329-4700 • Order online at www.analog.com
Application Support: Phone: 1-800-ANALOG-D

HMC-C076* PRODUCT PAGE QUICK LINKS

Last Content Update: 02/23/2017

[COMPARABLE PARTS](#)

View a parametric search of comparable parts.

[DOCUMENTATION](#)

Data Sheet

- [HMC-C076 Data Sheet](#)

[DESIGN RESOURCES](#)

- [HMC-C076 Material Declaration](#)
- [PCN-PDN Information](#)
- [Quality And Reliability](#)
- [Symbols and Footprints](#)

[DISCUSSIONS](#)

View all HMC-C076 EngineerZone Discussions.

[SAMPLE AND BUY](#)

Visit the product page to see pricing options.

[TECHNICAL SUPPORT](#)

Submit a technical question or find your regional support number.

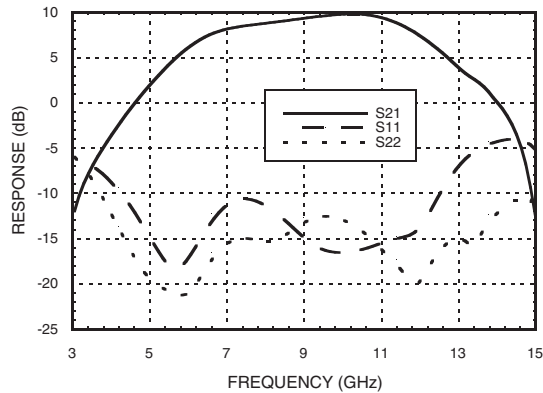
[DOCUMENT FEEDBACK](#)

Submit feedback for this data sheet.

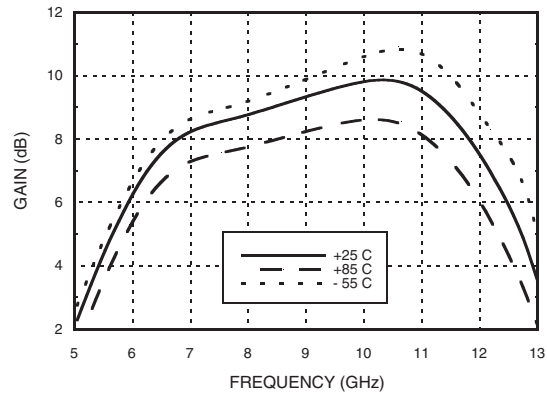


ULTRA LOW PHASE NOISE AMPLIFIER MODULE, 7 - 11 GHz

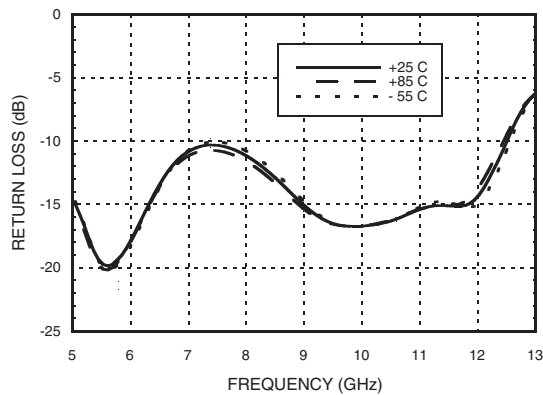
Broadband, Gain & Return Loss



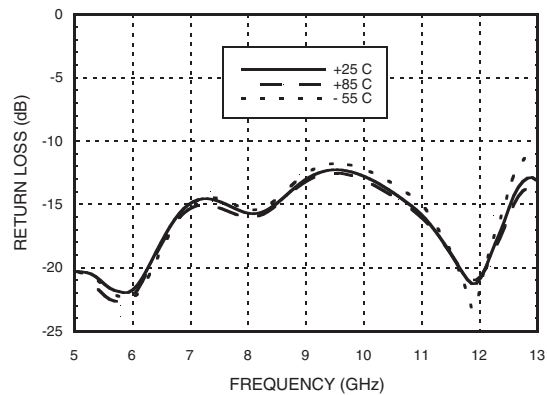
Gain vs. Temperature



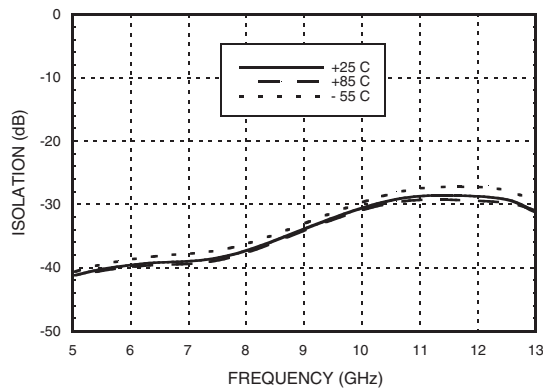
Input Return Loss vs. Temperature



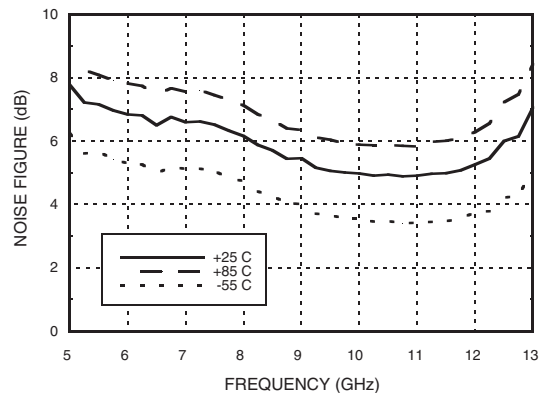
Output Return Loss vs. Temperature



Reverse Isolation vs. Temperature



Noise Figure vs. Temperature



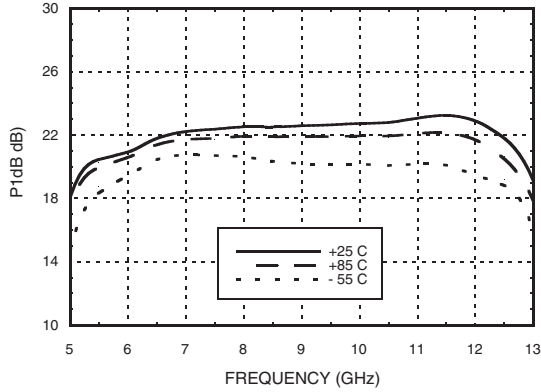
Information furnished by Analog Devices is believed to be accurate and reliable. However, no responsibility is assumed by Analog Devices for its use, nor for any infringements of patents or other rights of third parties that may result from its use. Specifications subject to change without notice. No license is granted by implication or otherwise under any patent or patent rights of Analog Devices. Trademarks and registered trademarks are the property of their respective owners.

For price, delivery, and to place orders: Analog Devices, Inc., One Technology Way, P.O. Box 9106, Norwood, MA 02062-9106 Phone: 781-329-4700 • Order online at www.analog.com Application Support: Phone: 1-800-ANALOG-D

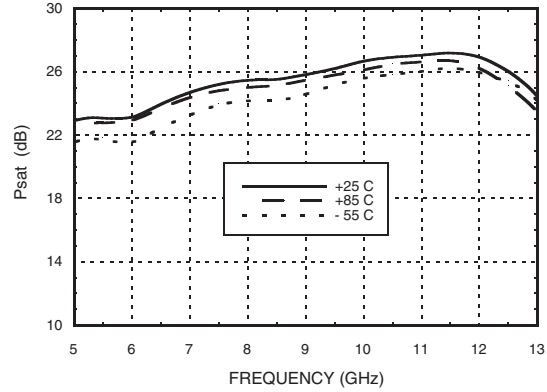


**ULTRA LOW PHASE NOISE
AMPLIFIER MODULE, 7 - 11 GHz**

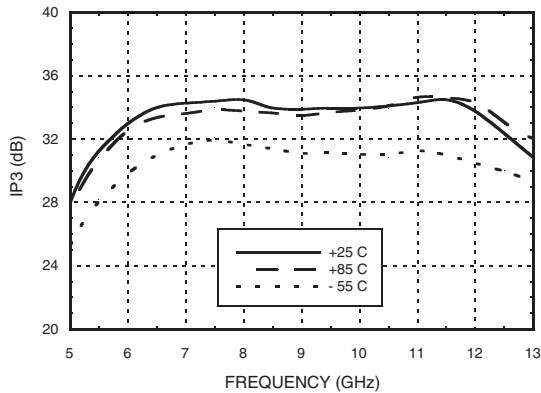
Output P1dB vs. Temperature



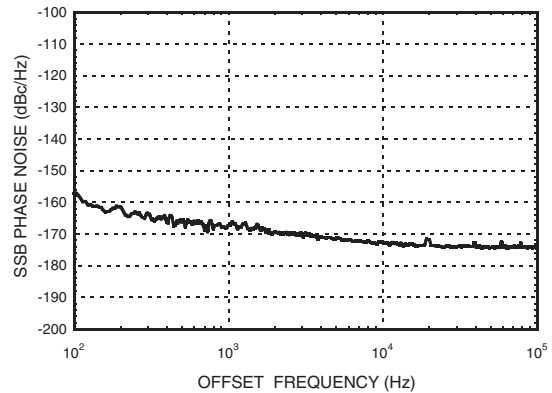
Output Psat vs. Temperature



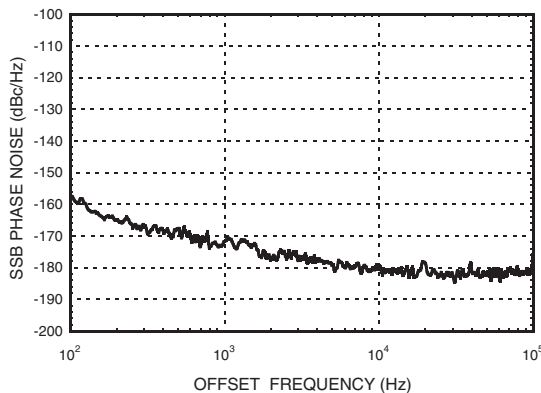
Output IP3 vs. Temperature



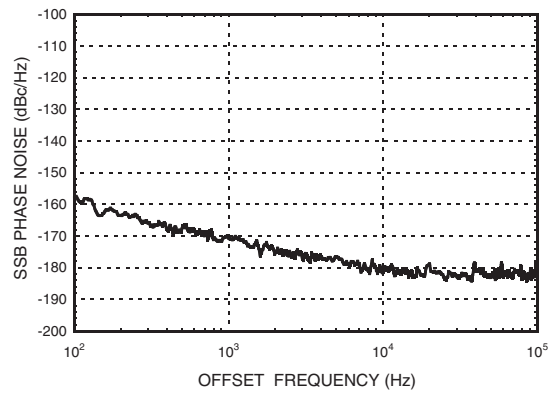
Phase Noise at Pout = 10 dBm @ 9 GHz



Phase Noise at Pout = P1dB @ 9 GHz



Phase Noise at Pout = Psat @ 9 GHz



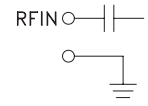
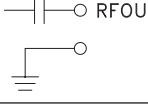
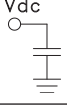
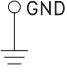
Information furnished by Analog Devices is believed to be accurate and reliable. However, no responsibility is assumed by Analog Devices for its use, nor for any infringements of patents or other rights of third parties that may result from its use. Specifications subject to change without notice. No license is granted by implication or otherwise under any patent or patent rights of Analog Devices. Trademarks and registered trademarks are the property of their respective owners.

For price, delivery, and to place orders: Analog Devices, Inc., One Technology Way, P.O. Box 9106, Norwood, MA 02062-9106 Phone: 781-329-4700 • Order online at www.analog.com Application Support: Phone: 1-800-ANALOG-D


**ULTRA LOW PHASE NOISE
AMPLIFIER MODULE, 7 - 11 GHz**
Absolute Maximum Ratings

Bias Supply Voltage (V)	+8V
RF Input Power (RFIN)	+20 dBm
Continuous Pdiss (T = 85 °C)	2.88W
Storage Temperature	-65 to +150 °C
Operating Temperature	-55 to +85 °C
ESD Sensitivity (HBM)	Class 1A

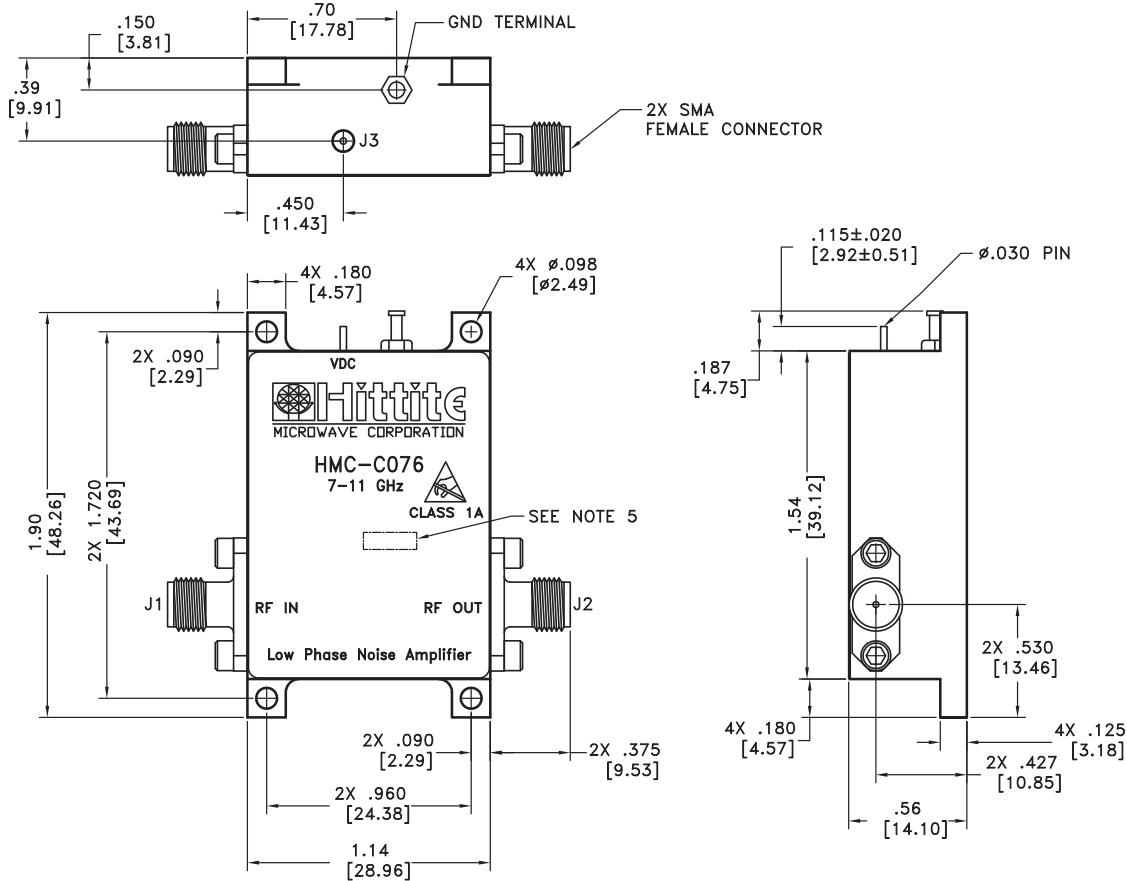

**ELECTROSTATIC SENSITIVE DEVICE
OBSERVE HANDLING PRECAUTIONS**
Pin Descriptions

Pin Number	Function	Description	Interface Schematic
1	RFIN & RF Ground	RF input connector, coaxial female, field replaceable. This pin is AC coupled and matched to 50 Ohms.	
2	RFOUT & RF Ground	RF output connector, coaxial female, field replaceable. This pin is AC coupled and matched to 50 Ohms.	
3	Vdc	Power supply voltage for the amplifier.	
4	GND	Power supply ground.	



**ULTRA LOW PHASE NOISE
AMPLIFIER MODULE, 7 - 11 GHz**

Outline Drawing



Package Information

Package Type	C-16
Package Weight	107 gms [1]

[1] ±1 gms Tolerance

NOTES:

1. PACKAGE, LEADS, COVER MATERIAL: KOVAR™
2. FINISH: GOLD PLATE OVER NICKEL PLATE.
3. ALL DIMENSIONS ARE IN INCHES [MILLIMETERS].
4. TOLERANCES:
 - 4.1 .XX = ±.02
 - 4.2 .XXX = ±.010
5. MARK LOT NUMBER ON 0.080 X 0.250 LABEL WHERE SHOWN, WITH 0.030" MIN TEXT HEIGHT.

**ULTRA LOW PHASE NOISE
AMPLIFIER MODULE, 7 - 11 GHz****Notes:**