

FEATURES

5-input, 1-output HDMI transceiver

HDMI support

3 GHz video support (up to 4k × 2k)

Audio return channel (ARC)

3D TV support

Content type bits

CEC 1.4-compatible

Extended colorimetry

Character- and icon-based on-screen display (OSD)

3D OSD overlay on all mandatory 3D formats

Support for OSD overlay on 3 GHz video formats

High-bandwidth Digital Content Protection (HDCP 1.4)

HDCP repeater support: up to 127 KSVs supported

300 MHz maximum TMDS clock frequency (up to 4k × 2k)

48-/36-/30-bit Deep Color input modes supported

Ultralow jitter digital PLL (100% deskew)

TTL pixel port input

Allows digital video input to facilitate analog video support

Interlaced-to-progressive converter

HDMI receiver for 5 input ports

3 GHz support on all inputs

Adaptive equalizer for cable lengths up to 30 meters

Flexible internal EDID RAM supports dual EDIDs

Replication of either dual EDID on any input port

5 V detect inputs

Hot Plug assert control outputs

HDMI transmitter

3 GHz support on transmitter outputs

EDID data extraction

Hot Plug detect (HPD) inputs

Audio return channel (ARC) receiver

3 GHz color space converter (CSC)

Audio

HDMI-compatible audio interface

8-channel audio extraction port

8-channel audio insertion port

S/PDIF (IEC 60958-compatible) digital audio input/output

Super Audio CD® (SACD) with DSD input/output interface

High bit rate (HBR) audio

Dolby® TrueHD

DTS-HD Master Audio™

Full audio input and output support

General

Interrupt controller

Standard identification (STDI) circuit

Software libraries, driver, and application available

APPLICATIONS

AVR

HTiB

Soundbar with HDMI repeater support

Other repeater applications

FUNCTIONAL BLOCK DIAGRAM

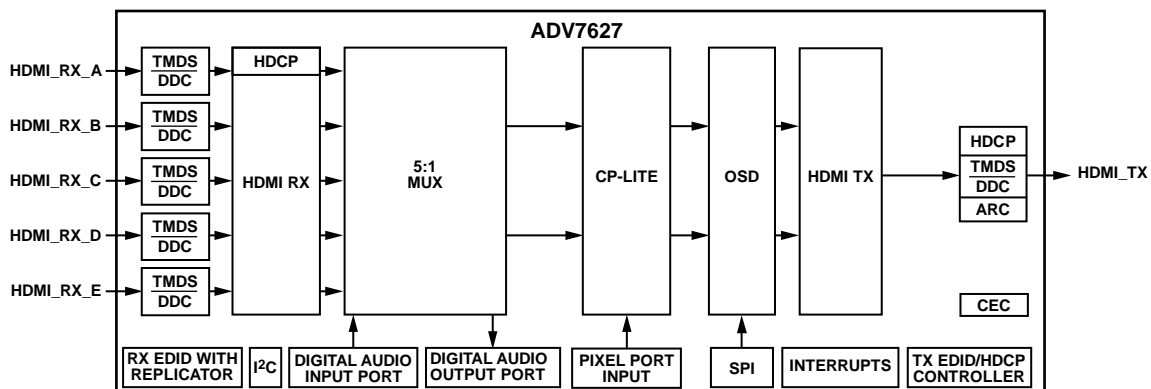


Figure 1.

Rev. 0

Document Feedback

Information furnished by Analog Devices is believed to be accurate and reliable. However, no responsibility is assumed by Analog Devices for its use, nor for any infringements of patents or other rights of third parties that may result from its use. Specifications subject to change without notice. No license is granted by implication or otherwise under any patent or patent rights of Analog Devices. Trademarks and registered trademarks are the property of their respective owners.

One Technology Way, P.O. Box 9106, Norwood, MA 02062-9106, U.S.A.

Tel: 781.329.4700

©2013 Analog Devices, Inc. All rights reserved.

Technical Support

www.analog.com

ADV7627* PRODUCT PAGE QUICK LINKS

Last Content Update: 02/23/2017

COMPARABLE PARTS

View a parametric search of comparable parts.

DOCUMENTATION

Application Notes

- AN-1299: Enabling HDMI 2.0 Using ADV8005 and ADV7625/ADV7626/ADV7627

Data Sheet

- ADV7627: 3 GHz HDMI 5:1 Transceiver with On-Screen Display Data Sheet

REFERENCE MATERIALS

Press

- Crosspoint Transceivers Distribute Wide Range of Ultra-High-Definition Home and Professional Audio/Video Content

DESIGN RESOURCES

- ADV7627 Material Declaration
- PCN-PDN Information
- Quality And Reliability
- Symbols and Footprints

DISCUSSIONS

View all ADV7627 EngineerZone Discussions.

SAMPLE AND BUY

Visit the product page to see pricing options.

TECHNICAL SUPPORT

Submit a technical question or find your regional support number.

DOCUMENT FEEDBACK

Submit feedback for this data sheet.

TABLE OF CONTENTS

Features	1	Power Supply Recommendations.....	21
Applications.....	1	Power-Up Sequence	21
Functional Block Diagram	1	Power-Down Sequence.....	21
Revision History	2	Theory of Operation	22
General Description	3	HDMI Receiver.....	22
Detailed Functional Block Diagram	4	HDCP Repeater Functionality	22
Specifications.....	5	Digital Audio Ports	22
Digital, HDMI, and AC Specifications	5	On-Screen Display	22
Data and I ² C Timing Characteristics.....	6	Pixel Port Input.....	22
Power Specifications	12	HDMI Transmitter	22
Absolute Maximum Ratings.....	14	I ² C Interface	22
Package Thermal Performance.....	14	Other Features	22
ESD Caution.....	14	Outline Dimensions	23
Pin Configuration and Function Descriptions.....	15	Ordering Guide	23

REVISION HISTORY

12/13—Revision 0: Initial Version

GENERAL DESCRIPTION

The [ADV7627](#) is a high performance, five-input, one-output, High-Definition Multimedia Interface (HDMI®) transceiver. The [ADV7627](#) supports 3 GHz video and features one HDMI receiver, one HDMI transmitter, an audio output port, an audio input port, and a pixel port input. The [ADV7627](#) supports all HDCP repeater functions through fully tested Analog Devices, Inc., repeater software libraries and drivers.

The HDMI receiver and transmitter in the [ADV7627](#) support the reception and transmission of 3 GHz video formats up to 4k × 2k at 24 Hz/25 Hz/30 Hz, in addition to all mandatory HDMI 3D TV formats. The receiver and transmitter also provide support for THX® Media Director™.

The HDMI receiver features an integrated equalizer that ensures robust operation of the interface with cable lengths up to 30 meters. The HDMI receiver has a 768-byte volatile extended display identification data (EDID) memory, which can facilitate one or two EDIDs. Each HDMI port features dedicated 5 V detect and Hot Plug™ assert pins.

The HDMI transmitter supports audio return channel (ARC) and features an integrated HDMI CEC controller that supports capability discovery and control (CDC).

The [ADV7627](#) offers an audio output port and an audio input port. Each audio port supports the extraction and insertion of up to eight channels of audio data out of or into the HDMI streams. HDMI audio formats, including I²S, S/PDIF, direct stream digital (DSD), and high bit rate (HBR) audio are supported.

The [ADV7627](#) features a TTL pixel port input that facilitates the reception of digital video data from an analog front-end decoder (for example, the [ADV7180](#), [ADV7181D](#), or [ADV7842](#)).

The [ADV7627](#) has an integrated on-screen display (OSD) generator that enables the creation and control of high quality character- and icon-based system status and control displays. The OSD can be overlaid on 3 GHz video formats and 3D video. Customers who are interested in using OSD are provided with Blimp, the Analog Devices OSD development tool.

The [ADV7627](#) is provided in a space-saving, 260-ball, 15 mm × 15 mm CSP_BGA surface-mount, RoHS-compliant package and is specified over the 0°C to 70°C temperature range.

DETAILED FUNCTIONAL BLOCK DIAGRAM

1833-002

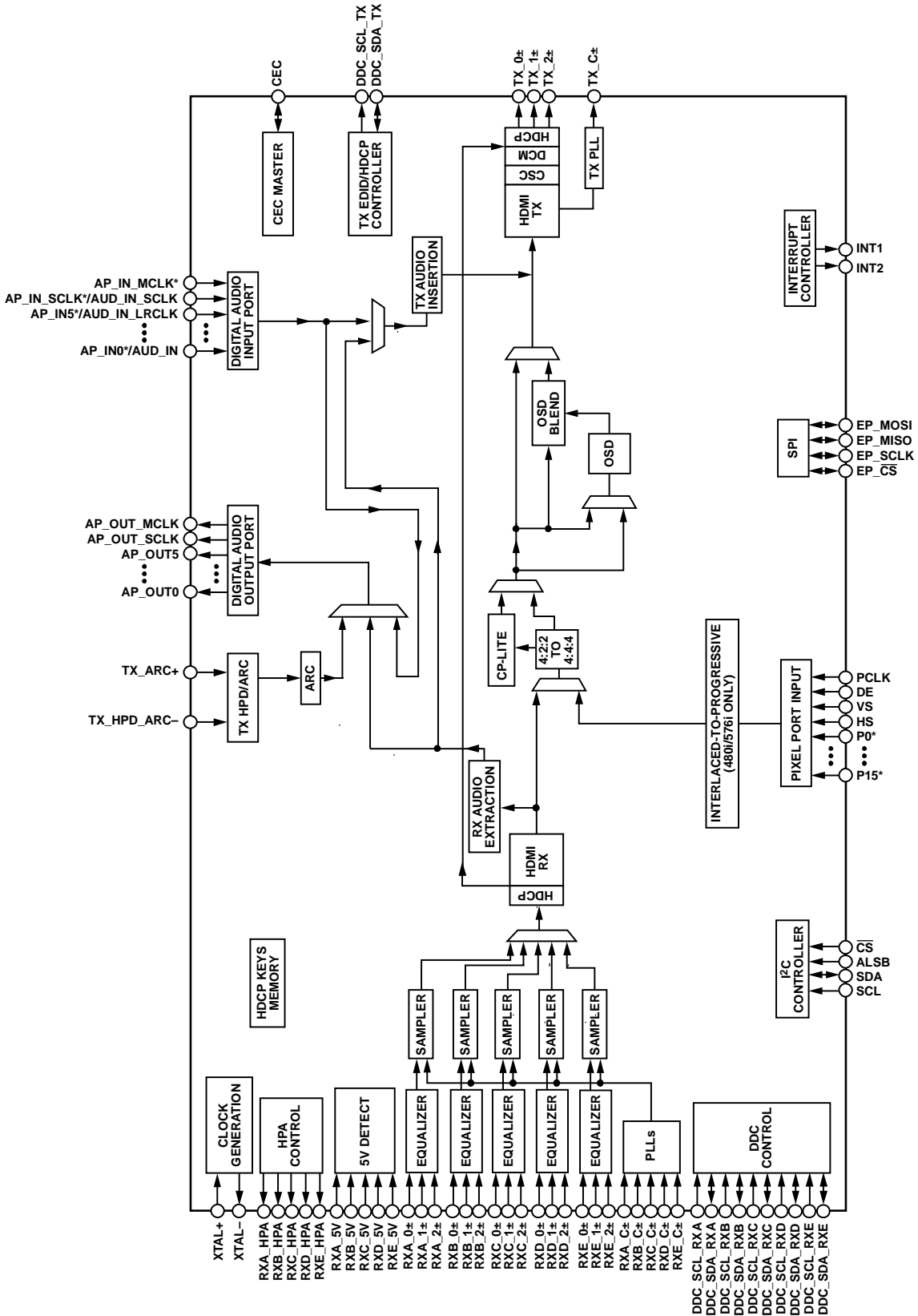


Figure 2. Detailed Functional Block Diagram

SPECIFICATIONS

AVDD_TX = 1.8 V ± 5%, CVDD = 1.8 V ± 5%, DVDD = 1.8 V ± 5%, DVDDIO = 3.3 V ± 5%, PVDD = 1.8 V ± 5%,
PVDD_TX = 1.8 V ± 5%, TVDD = 3.3 V ± 5%, T_{MIN} to T_{MAX} = 0°C to 70°C.

DIGITAL, HDMI, AND AC SPECIFICATIONS

Table 1.

Parameter	Test Conditions/Comments	Min	Typ	Max	Unit
DIGITAL INPUTS					
Input High Voltage (V _{IH})		2			V
Input Low Voltage (V _{IL})				0.8	V
Input Leakage Current (I _{IN})		-60		+60	μA
Input Capacitance (C _{IN})				20	pF
DIGITAL INPUTS (5 V TOLERANT) ¹					
Input High Voltage (V _{IH})		2.85			V
Input Low Voltage (V _{IL})				0.8	V
Input Leakage Current (I _{IN})	RXA_5V, RXB_5V, RXC_5V, RXD_5V, RXE_5V All other 5 V tolerant digital inputs	-450 -60		+450 +60	μA μA
DIGITAL OUTPUTS					
Output High Voltage (V _{OH})		2.4			V
Output Low Voltage (V _{OL})				0.4	V
High Impedance Leakage Current (I _{LEAK})			10		μA
Output Capacitance (C _{OUT})				20	pF
DIGITAL OUTPUTS (5 V TOLERANT) ²					
Output High Voltage (V _{OH})		4.85			V
Output Low Voltage (V _{OL})				0.4	V
AC SPECIFICATIONS					
TMDS Input Clock Range		25		300	MHz
TMDS Output Clock Frequency		25		300	MHz

¹ The following pins are 5 V tolerant inputs: DDC_SCL_RXA, DDC_SDA_RXA, DDC_SCL_RXB, DDC_SDA_RXB, DDC_SCL_RXC, DDC_SDA_RXC, DDC_SCL_RXD, DDC_SDA_RXD, DDC_SCL_RXE, DDC_SDA_RXE, RXA_5V, RXB_5V, RXC_5V, RXD_5V, RXE_5V, CEC, DDC_SCL_TX, DDC_SDA_TX, TX_HPD_ARC-, and TX_ARC+.

² The following pins are 5 V tolerant outputs: RXA_HPA, RXB_HPA, RXC_HPA, RXD_HPA, and RXE_HPA.

DATA AND I²C TIMING CHARACTERISTICS

Table 2.

Parameter	Symbol	Test Conditions/Comments	Min	Typ	Max	Unit
VIDEO SYSTEM CLOCK AND XTAL						
Crystal Nominal Frequency				27.0		MHz
Crystal Frequency Stability					±50	ppm
External Clock Source		External crystal must operate at 1.8 V				
Input High Voltage	V _{IH}	XTAL driven with external clock source	1.2			V
Input Low Voltage	V _{IL}	XTAL driven with external clock source			0.4	V
Pixel Port Input Clock Frequency Range		Interlaced-to-progressive converter not enabled	13.5		148.5	MHz
		Interlaced-to-progressive converter enabled (480i, 576i)			13.5	MHz
Serial Port EP_SCLK Frequency					27	MHz
Audio SCLK Frequency					49.152	MHz
Audio MCLK Frequency					98.304	MHz
Audio DSD Clock Frequency					5.6448	MHz
RESET FEATURE						
Reset Pulse Width			5			ms
I ² C PORTS (FAST MODE)						
xCL Frequency ¹					400	kHz
xCL Minimum Pulse Width High ¹	t ₁		600			ns
xCL Minimum Pulse Width Low ¹	t ₂		1.3			µs
Start Condition Hold Time	t ₃		600			ns
Start Condition Setup Time	t ₄		600			ns
xDA Setup Time ²	t ₅		100			ns
xCL and xDA Rise Time ^{1,2}	t ₆				300	ns
xCL and xDA Fall Time ^{1,2}	t ₇				300	ns
Setup Time (Stop Condition)	t ₈		0.6			µs
SERIAL PORT, MASTER MODE ^{3,4}		SPI Mode 0				
EP_ $\overline{\text{CS}}$ Falling Edge to EP_SCLK Rising/Falling Edge	t ₉ , t ₁₀		1 × EP_SCLK periods		1.5 × EP_SCLK periods	ns
EP_SCLK Rising/Falling Edge to EP_ $\overline{\text{CS}}$ Rising Edge	t ₁₁ , t ₁₂		1 × EP_SCLK periods		1.5 × EP_SCLK periods	ns
EP_ $\overline{\text{CS}}$ Pulse Width ⁵	t ₁₃		1000			ns
EP_SCLK High Time	t ₁₄		40		60	% duty cycle
EP_SCLK Low Time			40		60	% duty cycle
EP_MOSI Start of Data Invalid to EP_SCLK Falling Edge	t ₁₅				0	ns
EP_ $\overline{\text{CS}}$ Start of Data Invalid to EP_SCLK Falling Edge	t ₁₅				0	ns
EP_SCLK Falling Edge to EP_MOSI End of Data Invalid	t ₁₆				2.15	ns
EP_SCLK Falling Edge to EP_ $\overline{\text{CS}}$ End of Data Invalid	t ₁₆				2.15	ns
EP_MISO Setup Time	t ₁₇	Valid regardless of the EP_SCLK active edge used	7.5			ns
EP_MISO Hold Time	t ₁₈	Valid regardless of the EP_SCLK active edge used	0			ns

Parameter	Symbol	Test Conditions/Comments	Min	Typ	Max	Unit
SERIAL PORT, SLAVE MODE ^{3,4}						
EP_ \overline{CS} Falling Edge to EP_SCLK Rising Edge	t ₂₀	SPI Mode 0	10			ns
Final EP_SCLK Rising Edge to EP_ \overline{CS} Rising Edge	t ₂₂		10			ns
EP_ \overline{CS} Pulse Width ⁵	t ₂₃			20 × EP_SCLK periods		ns
EP_SCLK High Time	t ₂₄		45		55	% duty cycle
EP_SCLK Low Time			45		55	% duty cycle
EP_MOSI Setup Time	t ₂₅		0.5			ns
EP_MOSI Hold Time	t ₂₆		1.4			ns
EP_SCLK Falling Edge to EP_MISO Start of Data Invalid	t ₂₇		5.5			ns
EP_SCLK Falling Edge to EP_MISO End of Data Invalid	t ₂₈				9	ns
VIDEO DATA AND CONTROL INPUTS						
PCLK High Time ⁵	t ₂₉			0.45 to 0.55 × PCLK period		% duty cycle
PCLK Low Time ⁵				0.45 to 0.55 × PCLK period		% duty cycle
Pixel Port Input, Setup Time, SDR and DDR Modes	t ₃₀	Data latched on rising edge	1.0			ns
Pixel Port Input, Hold Time, SDR and DDR Modes	t ₃₁	Data latched on rising edge	1.4			ns
Pixel Port Input, Setup Time, DDR Mode	t ₃₂	Data latched on falling edge	1.0			ns
Pixel Port Input, Hold Time, DDR Mode	t ₃₃	Data latched on falling edge	1.4			ns
AUDIO INPUT PORT, I ² S INPUT						
AP_IN_SCLK High Time	t ₃₇		45		55	% duty cycle
AP_IN_SCLK Low Time			45		55	% duty cycle
AP_IN Data Setup Time	t ₃₈		2.3			ns
AP_IN Data Hold Time	t ₃₉		1.6			ns
AUD_IN_SCLK High Time	t ₃₇		45		55	% duty cycle
AUD_IN_SCLK Low Time			45		55	% duty cycle
AUD_IN Data Setup Time	t ₃₈		1.0			ns
AUD_IN Data Hold Time	t ₃₉		3.5			ns
AUDIO INPUT PORT, DSD INPUT						
AP_IN_SCLK High Time	t ₄₀		45		55	% duty cycle
AP_IN_SCLK Low Time			45		55	% duty cycle
AP_IN DSD Data Setup Time	t ₄₁		2.3			ns
AP_IN DSD Data Hold Time	t ₄₂		1.6			ns
AUDIO OUTPUT PORT, I ² S OUTPUT						
AP_OUT_SCLK High Time	t ₄₆		45		55	% duty cycle
AP_OUT_SCLK Low Time			45		55	% duty cycle
AP_OUT LRCLK Transition Time	t ₄₇	Start of invalid LRCLK to falling AP_OUT_SCLK edge			10	ns
AP_OUT LRCLK Transition Time	t ₄₈	Falling AP_OUT_SCLK edge to end of invalid LRCLK			10	ns

Parameter	Symbol	Test Conditions/Comments	Min	Typ	Max	Unit
AP_OUT Data Transition Time	t_{49}	Start of invalid data to falling AP_OUT_SCLK edge			10	ns
AP_OUT Data Transition Time	t_{50}	Falling AP_OUT_SCLK edge to end of invalid data			10	ns
AUDIO OUTPUT PORT, DSD OUTPUT						
AP_OUT_SCLK High Time	t_{51}		45		55	% duty cycle
AP_OUT_SCLK Low Time			45		55	% duty cycle
AP_OUT DSD Data Transition Time	t_{52}	Start of invalid data to falling AP_OUT_SCLK edge			10	ns
AP_OUT DSD Data Transition Time	t_{53}	Falling AP_OUT_SCLK edge to end of invalid data			10	ns

¹ xCL refers to SCL, DDC_SCL_RXA, DDC_SCL_RXB, DDC_SCL_RXC, DDC_SCL_RXD, and DDC_SCL_RXE.

² xDA refers to SDA, DDC_SDA_RXA, DDC_SDA_RXB, DDC_SDA_RXC, DDC_SDA_RXD, and DDC_SDA_RXE.

³ SPI Mode 0 only.

⁴ All serial port measurements are for CPHA = 0, CPOL = 0 (clock is low in idle state; negative edge of clock is used to transmit data and positive edge is used to sample data).

⁵ Measurements guaranteed by design only.

Timing Diagrams

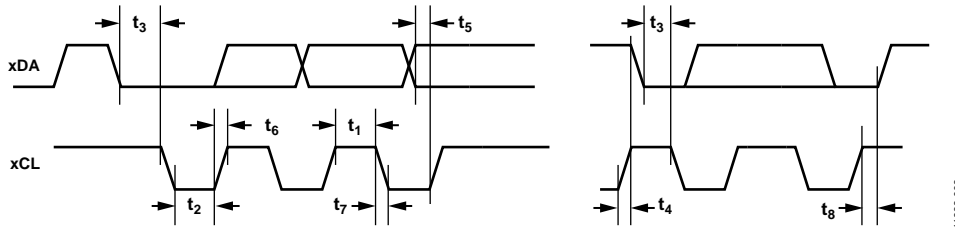


Figure 3. I²C Timing

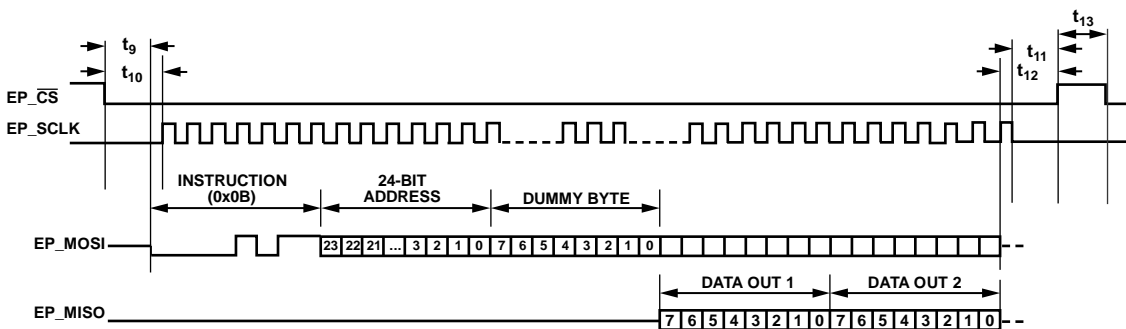


Figure 4. Detailed SPI Master Timing Diagram (SPI Mode 0, CPOL = CPHA = 0)

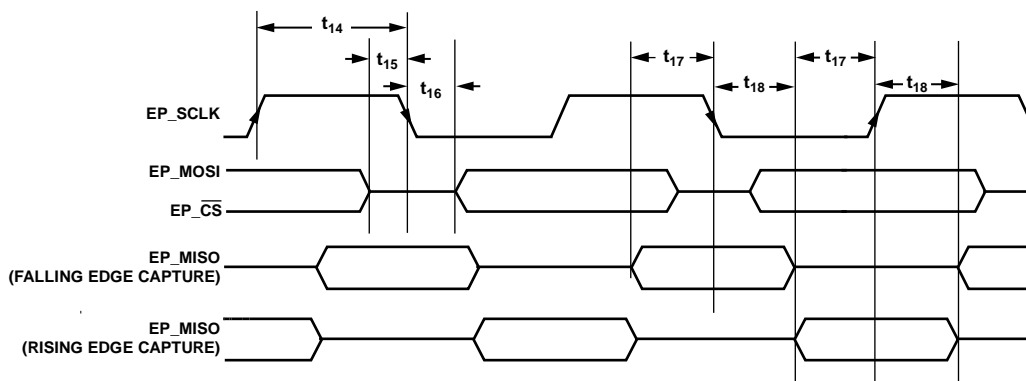


Figure 5. SPI Master Mode Timing (SPI Mode 0)

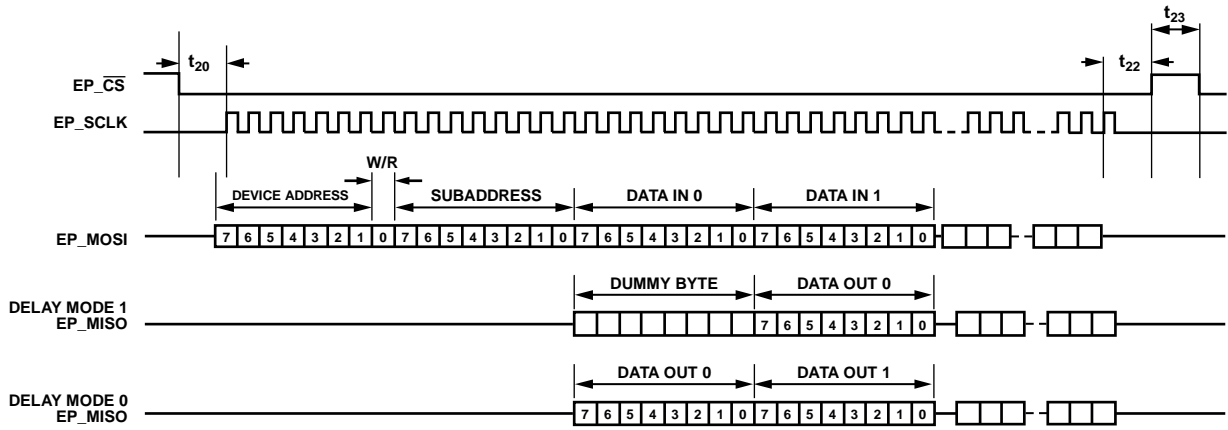
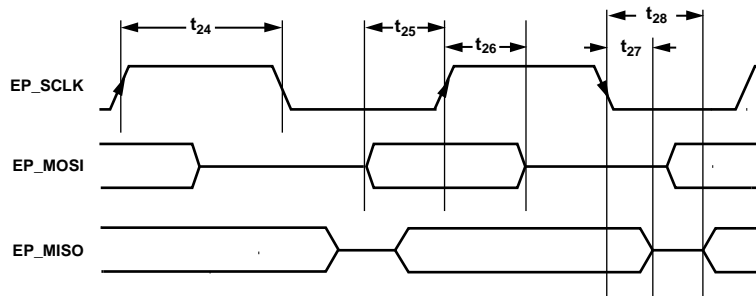


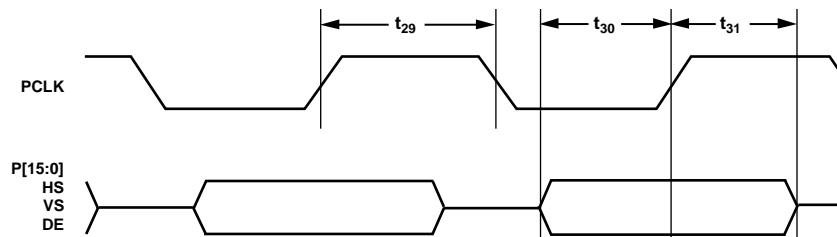
Figure 6. Detailed SPI Slave Timing Diagram (SPI Mode 0, CPOL = CPHA = 0)

11833-006



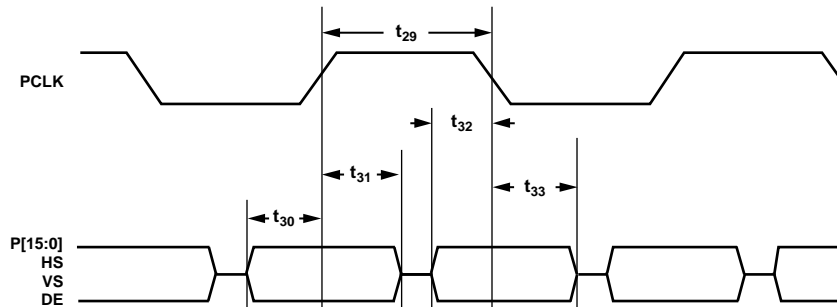
11833-007

Figure 7. SPI Slave Mode Timing (SPI Mode 0)



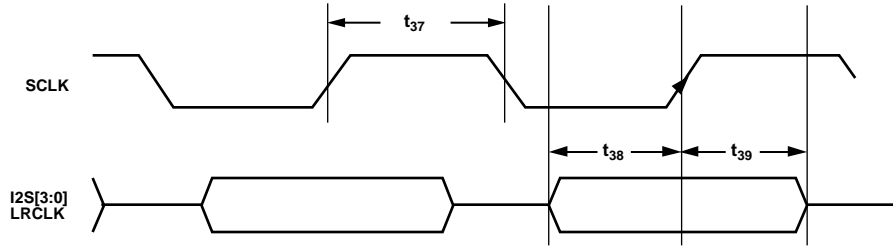
11833-008

Figure 8. Pixel Port Input, Noninterleaved SDR Video Data and Control Timing



11833-009

Figure 9. Pixel Port Input, Noninterleaved DDR Video Data and Control Timing



AUDIO INPUT PORTS I²S SIGNAL ASSIGNMENT

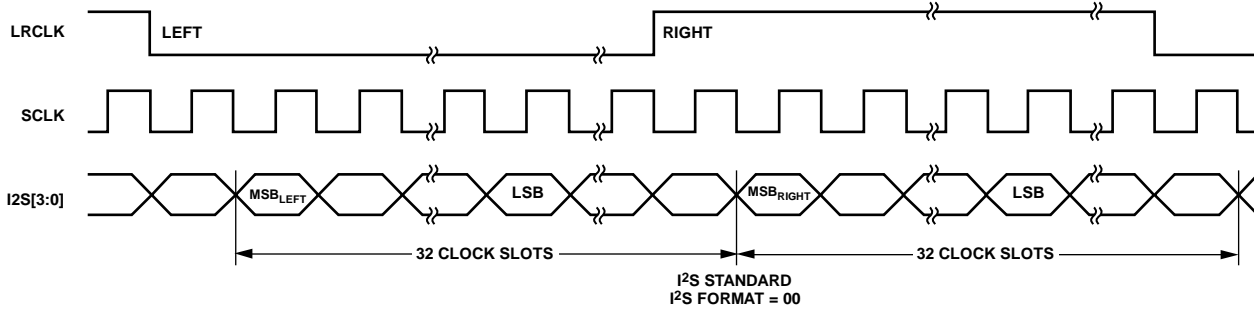
INPUT PORT	SCLK	LRCLK	I2S[3:0]
AUD_IN	AUD_IN_SCLK	AUD_IN_LRCLK	AUD_IN (I2S0 ONLY)
AP_IN	AP_IN_SCLK	AP_IN5	AP_IN[4:1]

NOTES

1. AUD_IN PORT NOT AVAILABLE WHEN AP_IN PORT USED.
2. AP_IN PORT NOT AVAILABLE WHEN PIXEL PORT INPUT USED.

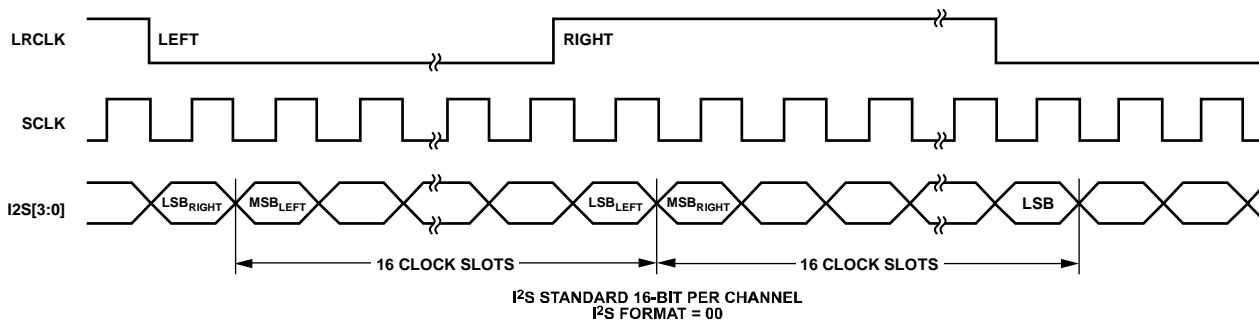
11833-012

Figure 10. I²S Input Timing



11833-013

Figure 11. I²S Standard Audio, Data Width 16 to 24 Bits per Channel



11833-014

Figure 12. I²S Standard Audio, 16-Bit Samples Only

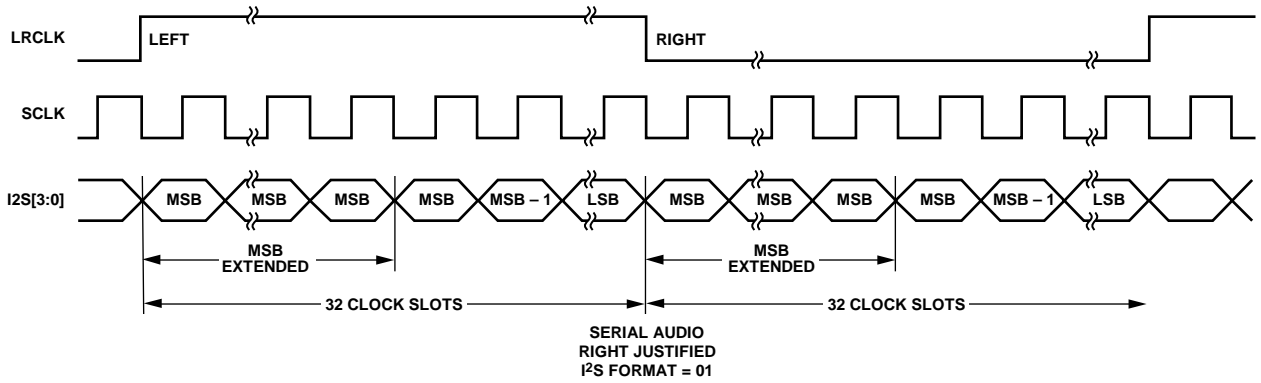


Figure 13. Serial Audio, Right-Justified

11833-015

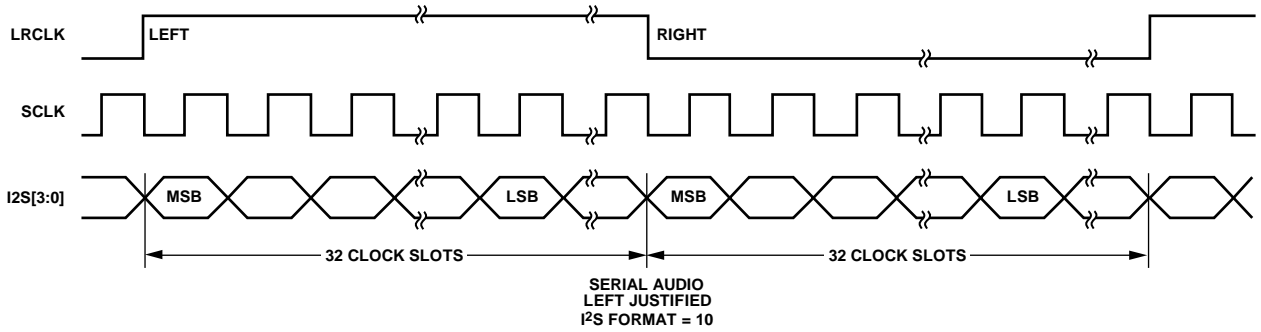


Figure 14. Serial Audio, Left-Justified

11833-016

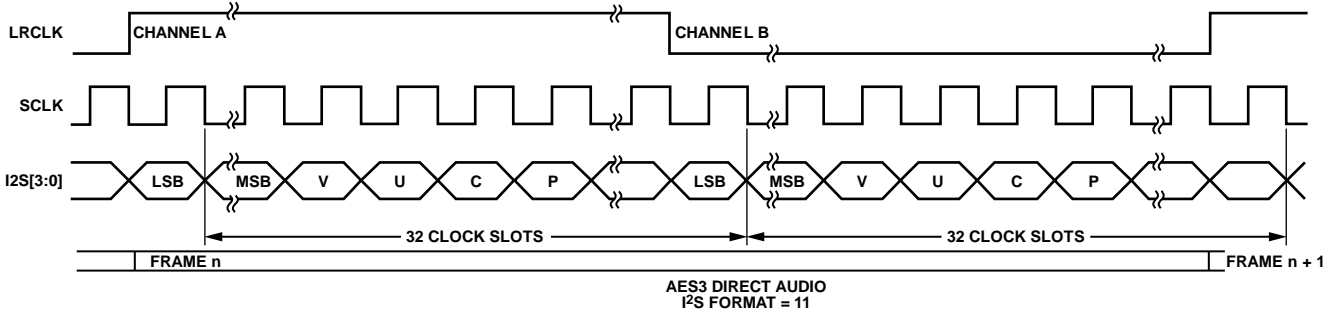


Figure 15. AES3 Direct Audio

11833-017

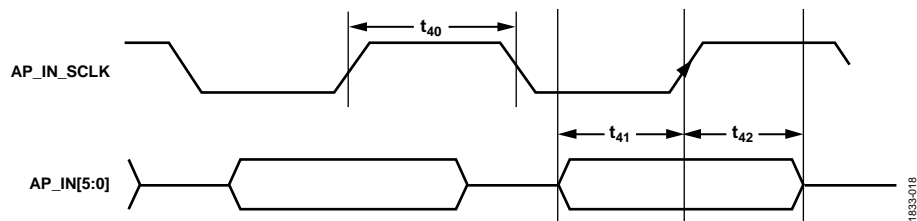
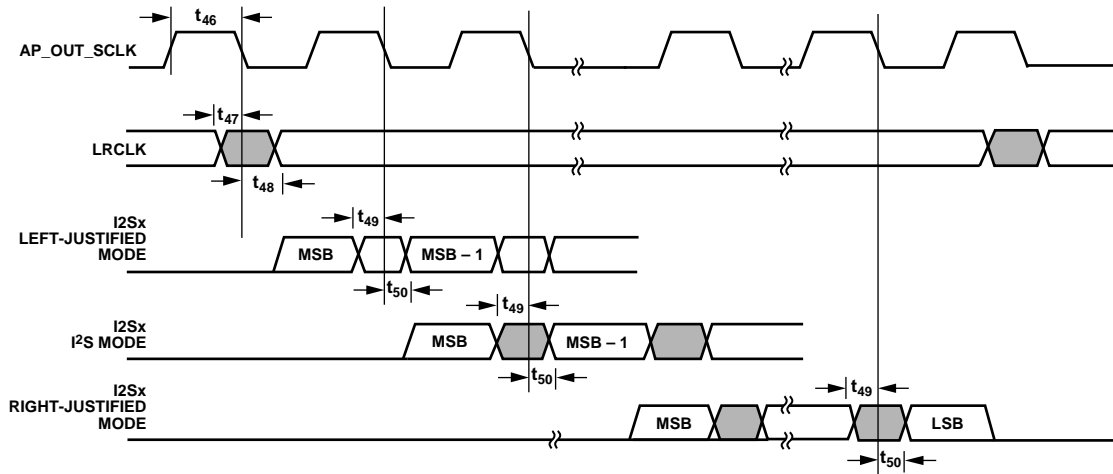


Figure 16. DSD Input Timing

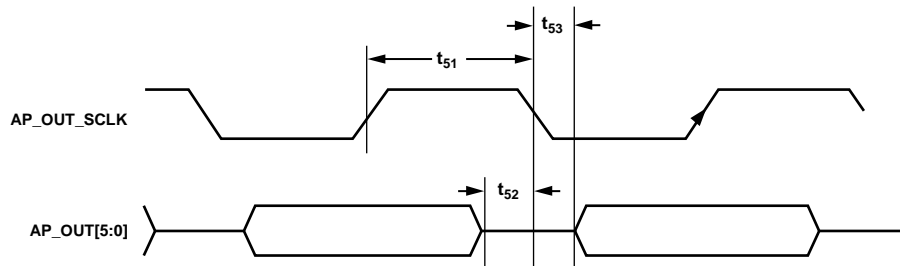
11833-018



NOTES
 1. LRCLK IS A SIGNAL ACCESSIBLE VIA AP_OUT5.
 2. I2Sx ARE SIGNALS ACCESSIBLE VIA AP_OUT1 TO AP_OUT4.

11833-020

Figure 17. I2S Output Timing



11833-021

Figure 18. DSD Output Timing

POWER SPECIFICATIONS

Table 3.

Parameter	Symbol	Min	Typ	Max	Unit
POWER SUPPLIES					
HDMI Tx Analog Power Supply	AVDD_TX	1.71	1.8	1.89	V
Comparator Power Supply	CVDD	1.71	1.8	1.89	V
Digital Power Supply	DVDD	1.71	1.8	1.89	V
Digital I/O Power Supply	DVDDIO	3.14	3.3	3.46	V
PLL Power Supply	PVDD	1.71	1.8	1.89	V
HDMI Tx PLL Power Supply	PVDD_TX	1.71	1.8	1.89	V
Termination Power Supply	TVDD	3.14	3.3	3.46	V
CURRENT CONSUMPTION—MUX MODE^{1, 2}					
HDMI Tx Analog Power Supply	I _{AVDD_TX}		24		mA
Comparator Power Supply	I _{CVDD}		96.5		mA
Digital Core Power Supply	I _{DVDD}		173		mA
Digital I/O Power Supply	I _{DVDDIO}		1.5		mA
PLL Power Supply	I _{PVDD}		34		mA
HDMI Tx PLL Power Supply	I _{PVDD_TX}		70		mA
Termination Power Supply	I _{TVDD}		113		mA

Parameter	Symbol	Min	Typ	Max	Unit
CURRENT CONSUMPTION—AUDIO INSERT MODE^{1, 3}					
HDMI Tx Analog Power Supply	I _{AVDD_TX}		26		mA
Comparator Power Supply	I _{CVDD}		184		mA
Digital Core Power Supply	I _{DVDD}		216		mA
Digital I/O Power Supply	I _{DVDDIO}		0.05		mA
PLL Power Supply	I _{PVDD}		64.1		mA
HDMI Tx PLL Power Supply	I _{PVDD_TX}		71		mA
Termination Power Supply	I _{TVDD}		116		mA
CURRENT CONSUMPTION—POWER-DOWN MODE 0^{1, 4}					
HDMI Tx Analog Power Supply	I _{AVDD_TX}		1.30		mA
Comparator Power Supply	I _{CVDD}		0.84		mA
Digital Core Power Supply	I _{DVDD}		0.25		mA
Digital I/O Power Supply	I _{DVDDIO}		0.21		mA
PLL Power Supply	I _{PVDD}		0.02		mA
HDMI Tx PLL Power Supply	I _{PVDD_TX}		0.10		mA
Termination Power Supply	I _{TVDD}		0.14		mA
CURRENT CONSUMPTION—POWER-DOWN MODE 1^{1, 5}					
HDMI Tx Analog Power Supply	I _{AVDD_TX}		1.90		mA
Comparator Power Supply	I _{CVDD}		0.84		mA
Digital Core Power Supply	I _{DVDD}		0.95		mA
Digital I/O Power Supply	I _{DVDDIO}		0.21		mA
PLL Power Supply	I _{PVDD}		0.02		mA
HDMI Tx PLL Power Supply	I _{PVDD_TX}		0.10		mA
Termination Power Supply	I _{TVDD}		0.14		mA
CURRENT CONSUMPTION—EXAMPLE MAXIMUM OPERATING MODE^{1, 6}					
HDMI Tx Analog Power Supply	I _{AVDD_TX}			31.00	mA
Comparator Power Supply	I _{CVDD}			213.00	mA
Digital Core Power Supply	I _{DVDD}			255.00	mA
Digital I/O Power Supply	I _{DVDDIO}			0.20	mA
PLL Power Supply	I _{PVDD}			75.00	mA
HDMI Tx PLL Power Supply	I _{PVDD_TX}			82.00	mA
Termination Power Supply	I _{TVDD}			127.00	mA

¹ Data recorded during lab characterization. Typical current consumption values are recorded with nominal voltage supply levels and at room temperature.

² ADV7627 configured in mux mode with one active HDMI Rx input and the HDMI Tx output in use. 4k × 2k at 30 Hz video format with pseudo random test pattern applied to the active HDMI Rx input port. HDMI Rx termination closed on the active HDMI Rx input port and open on the unused HDMI Rx input ports. HDMI Tx source termination enabled.

³ ADV7627 configured in audio insert mode with one active HDMI Rx input and the HDMI Tx output in use. Audio inserted on HDMI Tx output from the AP_IN input port. HBR audio used. No audio extraction. 4k × 2k at 30 Hz video format with pseudo random test pattern applied to the active HDMI Rx input port. HDMI Rx port termination closed on the active HDMI Rx input port and open on the unused HDMI Rx input ports. HDMI Tx source termination enabled. OSD not enabled.

⁴ ADV7627 configured in Power-Down Mode 0. In Power-Down Mode 0, all blocks are powered down except for the I²C slave.

⁵ ADV7627 configured in Power-Down Mode 1. In Power-Down Mode 1, all blocks are powered down except for the I²C slave and the CEC (to monitor wake-up interrupts).

⁶ ADV7627 configured in an example maximum operating mode with one active HDMI Rx input and the HDMI Tx output in use. HBR audio from the active HDMI Rx input inserted on the HDMI Tx output. No audio extraction. 4k × 2k at 30 Hz video format with pseudo random test pattern applied to the active HDMI Rx input port. HDMI Rx port termination closed on the active HDMI Rx input port and open on the unused HDMI Rx input ports. HDMI Tx source termination enabled. OSD not enabled. Maximum current consumption values recorded with maximum power supply levels at device maximum operating temperature.

ABSOLUTE MAXIMUM RATINGS

Table 4.

Parameter	Rating
AVDD_TX to GND	2.2 V
CVDD to GND	2.2 V
DVDD to GND	2.2 V
PVDD to GND	2.2 V
PVDD_TX to GND	2.2 V
DVDDIO to GND	4.0 V
TVDD to GND	4.0 V
Digital Inputs Voltage to GND	GND – 0.3 V to DVDDIO + 0.3 V up to a maximum of 4.0 V
5 V Tolerant Digital Inputs to GND ¹	5.5 V
Digital Outputs Voltage to GND	GND – 0.3 V to DVDDIO + 0.3 V up to a maximum of 4.0 V
XTAL+, XTAL– Pins	–0.3 V to PVDD + 0.3 V
Maximum Junction Temperature (T _{JMAX})	125°C
Storage Temperature Range	–65°C to +150°C
Infrared Reflow, Soldering (20 sec)	260°C

¹ The following inputs are 5 V tolerant: DDC_SCL_RXA, DDC_SDA_RXA, DDC_SCL_RXB, DDC_SDA_RXB, DDC_SCL_RXC, DDC_SDA_RXC, DDC_SCL_RXD, DDC_SDA_RXD, DDC_SCL_RXE, DDC_SDA_RXE, RXA_5V, RXB_5V, RXC_5V, RXD_5V, RXE_5V, CEC, DDC_SCL_TX, DDC_SDA_TX, TX_HPD_ARC–, and TX_ARC+.

Stresses above those listed under Absolute Maximum Ratings may cause permanent damage to the device. This is a stress rating only; functional operation of the device at these or any other conditions above those indicated in the operational section of this specification is not implied. Exposure to absolute maximum rating conditions for extended periods may affect device reliability.

PACKAGE THERMAL PERFORMANCE

To reduce power consumption when using the [ADV7627](#), the user is advised to turn off unused sections of the device.

Due to printed circuit board (PCB) metal variation and, therefore, variation in PCB heat conductivity, the value of θ_{JA} may differ for various PCBs. The most efficient measurement solution is obtained using the package surface temperature to estimate the die temperature because this solution eliminates the variance associated with the θ_{JA} value.

The maximum junction temperature (T_{JMAX}) of 125°C must not be exceeded. The following equation calculates the junction temperature using the measured package surface temperature and applies only when no heat sink is used on the device under test (DUT):

$$T_J = T_S + (\Psi_{JT} \times W_{TOTAL})$$

where:

T_S is the package surface temperature (°C).

$\Psi_{JT} = 0.41^\circ\text{C}/\text{W}$ for the 260-ball CSP_BGA (based on 2s2p test board defined in the JEDEC specification).

$$W_{TOTAL} = ((PVDD \times I_{PVDD}) + (PVDD_TX \times I_{PVDD_TX}) + (TVDD \times I_{TVDD}) + (CVDD \times I_{CVDD}) + (AVDD_TX \times I_{AVDD_TX}) + (DVDD \times I_{DVDD}) + (DVDDIO \times I_{DVDDIO}))$$

Note that this calculation assumes a configuration of one active HDMI Rx input and one active HDMI Tx output, where termination is open on the unused Rx input ports.

ESD CAUTION



ESD (electrostatic discharge) sensitive device. Charged devices and circuit boards can discharge without detection. Although this product features patented or proprietary protection circuitry, damage may occur on devices subjected to high energy ESD. Therefore, proper ESD precautions should be taken to avoid performance degradation or loss of functionality.

PIN CONFIGURATION AND FUNCTION DESCRIPTIONS

A	GND	RXA_2+	RXA_1+	RXA_0+	RXA_C+	CVDD	RXB_2+	RXB_1+	RXB_0+	RXB_C+	CVDD	RXC_2+	RXC_1+	RXC_0+	RXC_C+	CVDD	RXC_5V	GND	
B	GND	RXA_2-	RXA_1-	RXA_0-	RXA_C-	CVDD	RXB_2-	RXB_1-	RXB_0-	RXB_C-	CVDD	RXC_2-	RXC_1-	RXC_0-	RXC_C-	CVDD	RXC_HPA	GND	
C	GND	CVDD	CVDD	TVDD	TVDD	GND	GND	TVDD	TVDD	GND	GND	TVDD	TVDD	GND	GND	CVDD	GND	GND	
D	INT1	INT2	SCL	SDA	\overline{CS}	RXA_5V	RXA_HPA	DDC_SCL_RXA	DDC_SDA_RXA	DDC_SCL_RXB	DDC_SDA_RXB	RXB_HPA	RXB_5V	DDC_SDA_RXC	DDC_SCL_RXC	TVDD	RXD_2-	RXD_2+	
E	NC	NC	ALSB	\overline{RESET}												RXD_5V	TVDD	RXD_1-	RXD_1+
F	NC	NC	AP_OUT0	AP_OUT1												RXD_HPA	GND	RXD_0-	RXD_0+
G	NC	NC	AP_OUT2	AP_OUT3			DVDD	DVDD	DVDD	DVDD	DVDD	TEST5				DDC_SCL_RXD	GND	RXD_C-	RXD_C+
H	NC	NC	AP_OUT4	AP_OUT5			DVDDIO	GND	GND	GND	GND	GND				DDC_SDA_RXD	GND	CVDD	CVDD
J	AP_OUT_MCLK	AP_OUT_SCLK	TEST6	TEST7			DVDDIO	GND	GND	GND	GND	GND				DDC_SCL_RXE	TVDD	RXE_2-	RXE_2+
K	GND	GND	TEST8	AUD_IN			GND	GND	GND	GND	GND	GND				DDC_SDA_RXE	TVDD	RXE_1-	RXE_1+
L	XTAL+	XTAL-	AUD_IN_SCLK	AUD_IN_LRCLK			GND	GND	GND	GND	GND	GND				RXE_HPA	GND	RXE_0-	RXE_0+
M	PVDD	PVDD	TEST3	TEST2			GND	GND	GND	GND	GND	GND				RXE_5V	GND	RXE_C-	RXE_C+
N	GND	GND	PVDD_TX	PVDD_TX												GND	GND	CVDD	CVDD
P	NC	NC	GND	TEST14												HS	VS	TEST4	TEST1
R	NC	NC	GND	AVDD_TX	TX_HPD_ARC-	R_TX	GND	TX_ARC+	DDC_SDA_TX	DDC_SCL_TX	CEC	DVDDIO	EP_CS	P9/AP_IN_SCLK	P11/AP_IN4	P13/AP_IN2	P15/AP_IN0	PCLK	
T	NC	NC	GND	AVDD_TX	TEST9	GND	GND	GND	GND	AVDD_TX	AVDD_TX	DVDDIO	EP_SCLK	P8/AP_IN_MCLK	P10/AP_IN5	P12/AP_IN3	P14/AP_IN1	DE	
U	NC	NC	GND	TEST10	TEST11	PVDD_TX	GND	TX_C+	TX_0+	TX_1+	TX_2+	GND	EP_MOSI	P1	P3	P5	P7	GND	
V	GND	GND	GND	TEST12	TEST13	PVDD_TX	GND	TX_C-	TX_0-	TX_1-	TX_2-	GND	EP_MISO	P0	P2	P4	P6	GND	
	1	2	3	4	5	6	7	8	9	10	11	12	13	14	15	16	17	18	

Figure 19. Pin Configuration

Table 5. Pin Function Descriptions

Pin No.	Mnemonic	Function	Description
A1	GND	Ground	Ground.
A2	RXA_2+	HDMI Rx input	HDMI RxA Channel 2 True Input.
A3	RXA_1+	HDMI Rx input	HDMI RxA Channel 1 True Input.
A4	RXA_0+	HDMI Rx input	HDMI RxA Channel 0 True Input.
A5	RXA_C+	HDMI Rx input	HDMI RxA Clock True Input.
A6	CVDD	Power	Comparator Power Supply (1.8 V).
A7	RXB_2+	HDMI Rx input	HDMI RxB Channel 2 True Input.
A8	RXB_1+	HDMI Rx input	HDMI RxB Channel 1 True Input.
A9	RXB_0+	HDMI Rx input	HDMI RxB Channel 0 True Input.
A10	RXB_C+	HDMI Rx input	HDMI RxB Clock True Input.
A11	CVDD	Power	Comparator Power Supply (1.8 V).
A12	RXC_2+	HDMI Rx input	HDMI RxC Channel 2 True Input.

Pin No.	Mnemonic	Function	Description
A13	RXC_1+	HDMI Rx input	HDMI RxC Channel 1 True Input.
A14	RXC_0+	HDMI Rx input	HDMI RxC Channel 0 True Input.
A15	RXC_C+	HDMI Rx input	HDMI RxC Clock True Input.
A16	CVDD	Power	Comparator Power Supply (1.8 V).
A17	RXC_5V	HDMI Rx input	HDMI RxC 5 V Detect Pin.
A18	GND	Ground	Ground.
B1	GND	Ground	Ground.
B2	RXA_2-	HDMI Rx input	HDMI RxA Channel 2 Complement Input.
B3	RXA_1-	HDMI Rx input	HDMI RxA Channel 1 Complement Input.
B4	RXA_0-	HDMI Rx input	HDMI RxA Channel 0 Complement Input.
B5	RXA_C-	HDMI Rx input	HDMI RxA Clock Complement Input.
B6	CVDD	Power	Comparator Power Supply (1.8 V).
B7	RXB_2-	HDMI Rx input	HDMI RxB Channel 2 Complement Input.
B8	RXB_1-	HDMI Rx input	HDMI RxB Channel 1 Complement Input.
B9	RXB_0-	HDMI Rx input	HDMI RxB Channel 0 Complement Input.
B10	RXB_C-	HDMI Rx input	HDMI RxB Clock Complement Input.
B11	CVDD	Power	Comparator Power Supply (1.8 V).
B12	RXC_2-	HDMI Rx input	HDMI RxC Channel 2 Complement Input.
B13	RXC_1-	HDMI Rx input	HDMI RxC Channel 1 Complement Input.
B14	RXC_0-	HDMI Rx input	HDMI RxC Channel 0 Complement Input.
B15	RXC_C-	HDMI Rx input	HDMI RxC Clock Complement Input.
B16	CVDD	Power	Comparator Power Supply (1.8 V).
B17	RXC_HPA	HDMI Rx output	HDMI RxC Hot Plug Assert.
B18	GND	Ground	Ground.
C1	GND	Ground	Ground.
C2	CVDD	Power	Comparator Power Supply (1.8 V).
C3	CVDD	Power	Comparator Power Supply (1.8 V).
C4	TVDD	Power	HDMI Rx Terminator Supply Voltage (3.3 V).
C5	TVDD	Power	HDMI Rx Terminator Supply Voltage (3.3 V).
C6	GND	Ground	Ground.
C7	GND	Ground	Ground.
C8	TVDD	Power	HDMI Rx Terminator Supply Voltage (3.3 V).
C9	TVDD	Power	HDMI Rx Terminator Supply Voltage (3.3 V).
C10	GND	Ground	Ground.
C11	GND	Ground	Ground.
C12	TVDD	Power	HDMI Rx Terminator Supply Voltage (3.3 V).
C13	TVDD	Power	HDMI Rx Terminator Supply Voltage (3.3 V).
C14	GND	Ground	Ground.
C15	GND	Ground	Ground.
C16	CVDD	Power	Comparator Power Supply (1.8 V).
C17	GND	Ground	Ground.
C18	GND	Ground	Ground.
D1	INT1	Control	Interrupt Output. This pin can be active low or high. When an unmasked status bit changes, an interrupt is generated on this pin.
D2	INT2	Control	Interrupt Output. This pin can be active low or high. When an unmasked status bit changes, an interrupt is generated on this pin.
D3	SCL	I ² C control	I ² C Clock Input. This pin is open drain; connect this pin to a 3.3 V supply using a 4.7 k Ω resistor.
D4	SDA	I ² C control	I ² C Data Input. This pin is open drain; connect this pin to a 3.3 V supply using a 4.7 k Ω resistor.
D5	$\overline{\text{CS}}$	Digital input	Chip Select Pin. This pin must be set low or left floating for the chip to process I ² C messages that are destined for the ADV7627 . The ADV7627 ignores I ² C messages when this pin is high.
D6	RXA_5V	HDMI Rx input	HDMI RxA 5 V Detect Pin.

Pin No.	Mnemonic	Function	Description
D7	RXA_HPA	HDMI Rx output	HDMI RxA Hot Plug Assert.
D8	DDC_SCL_RXA	HDMI Rx DDC	HDCP Slave Serial Clock for HDMI RxA.
D9	DDC_SDA_RXA	HDMI Rx DDC	HDCP Slave Serial Data for HDMI RxA.
D10	DDC_SCL_RXB	HDMI Rx DDC	HDCP Slave Serial Clock for HDMI RxB.
D11	DDC_SDA_RXB	HDMI Rx DDC	HDCP Slave Serial Data for HDMI RxB.
D12	RXB_HPA	HDMI Rx output	HDMI RxB Hot Plug Assert.
D13	RXB_5V	HDMI Rx input	HDMI RxB 5 V Detect Pin.
D14	DDC_SDA_RXC	HDMI Rx DDC	HDCP Slave Serial Data for HDMI RxC.
D15	DDC_SCL_RXC	HDMI Rx DDC	HDCP Slave Serial Clock for HDMI RxC.
D16	TVDD	Power	HDMI Rx Terminator Supply Voltage (3.3 V).
D17	RXD_2-	HDMI Rx input	HDMI RxD Channel 2 Complement Input.
D18	RXD_2+	HDMI Rx input	HDMI RxD Channel 2 True Input.
E1	NC	Do not connect	Leave this pin floating.
E2	NC	Do not connect	Leave this pin floating.
E3	ALSB	I ² C control	Pin to set the I ² C address of the I/O register map for the device. When the ALSB pin is tied low, the I/O register map I ² C address is 0xB0. When the ALSB pin is tied high, the I/O register map I ² C address is 0xB2.
E4	$\overline{\text{RESET}}$	Miscellaneous digital	Reset Pin.
E15	RXD_5V	HDMI Rx input	HDMI RxD 5 V Detect Pin.
E16	TVDD	Power	HDMI Rx Terminator Supply Voltage (3.3 V).
E17	RXD_1-	HDMI Rx input	HDMI RxD Channel 1 Complement Input.
E18	RXD_1+	HDMI Rx input	HDMI RxD Channel 1 True Input.
F1	NC	Do not connect	Leave this pin floating.
F2	NC	Do not connect	Leave this pin floating.
F3	AP_OUT0	Audio output	Audio Output Port, Output 0.
F4	AP_OUT1	Audio output	Audio Output Port, Output 1.
F15	RXD_HPA	HDMI Rx output	HDMI RxD Hot Plug Assert.
F16	GND	Ground	Ground.
F17	RXD_0-	HDMI Rx input	HDMI RxD Channel 0 Complement Input.
F18	RXD_0+	HDMI Rx input	HDMI RxD Channel 0 True Input.
G1	NC	Do not connect	Leave this pin floating.
G2	NC	Do not connect	Leave this pin floating.
G3	AP_OUT2	Audio output	Audio Output Port, Output 2.
G4	AP_OUT3	Audio output	Audio Output Port, Output 3.
G7	DVDD	Power	Digital Power Supply (1.8 V).
G8	DVDD	Power	Digital Power Supply (1.8 V).
G9	DVDD	Power	Digital Power Supply (1.8 V).
G10	DVDD	Power	Digital Power Supply (1.8 V).
G11	DVDD	Power	Digital Power Supply (1.8 V).
G12	TEST5	Test pin	Test Pin 5. Leave this pin floating.
G15	DDC_SCL_RXD	HDMI Rx DDC	HDCP Slave Serial Clock for HDMI RxD.
G16	GND	Ground	Ground.
G17	RXD_C-	HDMI Rx input	HDMI RxD Clock Complement Input.
G18	RXD_C+	HDMI Rx input	HDMI RxD Clock True Input.
H1	NC	Do not connect	Leave this pin floating.
H2	NC	Do not connect	Leave this pin floating.
H3	AP_OUT4	Audio output	Audio Output Port, Output 4.
H4	AP_OUT5	Audio output	Audio Output Port, Output 5.
H7	DVDDIO	Power	Digital Interface Supply (3.3V).
H8	GND	Ground	Ground.
H9	GND	Ground	Ground.
H10	GND	Ground	Ground.
H11	GND	Ground	Ground.

Pin No.	Mnemonic	Function	Description
H12	GND	Ground	Ground.
H15	DDC_SDA_RXD	HDMI Rx DDC	HDCP Slave Serial Data for HDMI RxD.
H16	GND	Ground	Ground.
H17	CVDD	Power	Comparator Power Supply (1.8 V).
H18	CVDD	Power	Comparator Power Supply (1.8 V).
J1	AP_OUT_MCLK	Audio output	Audio Output Port, MCLK.
J2	AP_OUT_SCLK	Audio output	Audio Output Port, SCLK.
J3	TEST6	Test pin	Connect this pin to ground using a 4.7 kΩ resistor.
J4	TEST7	Test pin	Connect this pin to ground using a 4.7 kΩ resistor.
J7	DVDDIO	Power	Digital Interface Supply (3.3 V).
J8	GND	Ground	Ground.
J9	GND	Ground	Ground.
J10	GND	Ground	Ground.
J11	GND	Ground	Ground.
J12	GND	Ground	Ground.
J15	DDC_SCL_RXE	HDMI Rx DDC	HDCP Slave Serial Clock for HDMI RxE.
J16	TVDD	Power	HDMI Rx Terminator Supply Voltage (3.3 V).
J17	RXE_2-	HDMI Rx input	HDMI RxE Channel 2 Complement Input.
J18	RXE_2+	HDMI Rx input	HDMI RxE Channel 2 True Input.
K1	GND	Ground	Ground.
K2	GND	Ground	Ground.
K3	TEST8	Test pin	Connect this pin to ground using a 4.7 kΩ resistor.
K4	AUD_IN	Audio input	Audio Input Port, I ² S or S/PDIF Input.
K7	GND	Ground	Ground.
K8	GND	Ground	Ground.
K9	GND	Ground	Ground.
K10	GND	Ground	Ground.
K11	GND	Ground	Ground.
K12	GND	Ground	Ground.
K15	DDC_SDA_RXE	HDMI Rx DDC	HDCP Slave Serial Data for HDMI RxE.
K16	TVDD	Power	HDMI Rx Terminator Supply Voltage (3.3 V).
K17	RXE_1-	HDMI Rx input	HDMI RxE Channel 1 Complement Input.
K18	RXE_1+	HDMI Rx input	HDMI RxE Channel 1 True Input.
L1	XTAL+	Miscellaneous digital	ADV7627 Crystal Input.
L2	XTAL-	Miscellaneous digital	ADV7627 Crystal Output.
L3	AUD_IN_SCLK	Audio input	Audio Input Port, SCLK.
L4	AUD_IN_LRCLK	Audio input	Audio Input Port, LRCLK.
L7	GND	Ground	Ground.
L8	GND	Ground	Ground.
L9	GND	Ground	Ground.
L10	GND	Ground	Ground.
L11	GND	Ground	Ground.
L12	GND	Ground	Ground.
L15	RXE_HPA	HDMI Rx output	HDMI RxE Hot Plug Assert.
L16	GND	Ground	Ground.
L17	RXE_0-	HDMI Rx input	HDMI RxE Channel 0 Complement Input.
L18	RXE_0+	HDMI Rx input	HDMI RxE Channel 0 True Input.
M1	PVDD	Power	PLL Digital Supply (1.8 V).
M2	PVDD	Power	PLL Digital Supply (1.8 V).
M3	TEST3	Test pin	Test Pin 3. Leave this pin floating.
M4	TEST2	Test pin	Test Pin 2. Leave this pin floating.
M7	GND	Ground	Ground.
M8	GND	Ground	Ground.

Pin No.	Mnemonic	Function	Description
M9	GND	Ground	Ground.
M10	GND	Ground	Ground.
M11	GND	Ground	Ground.
M12	GND	Ground	Ground.
M15	RXE_5V	HDMI Rx input	HDMI RxE 5 V Detect Pin.
M16	GND	Ground	Ground.
M17	RXE_C-	HDMI Rx input	HDMI RxE Clock Complement Input.
M18	RXE_C+	HDMI Rx input	HDMI RxE Clock True Input.
N1	GND	Ground	Ground.
N2	GND	Ground	Ground.
N3	PVDD_TX	Power	HDMI Tx PLL Power Supply (1.8 V).
N4	PVDD_TX	Power	HDMI Tx PLL Power Supply (1.8 V).
N15	GND	Ground	Ground.
N16	GND	Ground	Ground.
N17	CVDD	Power	Comparator Power Supply (1.8 V).
N18	CVDD	Power	Comparator Power Supply (1.8 V).
P1	NC	Do not connect	Leave this pin floating.
P2	NC	Do not connect	Leave this pin floating.
P3	GND	Ground	Ground.
P4	TEST14	Test pin	Connect this pin to ground using a 4.7 k Ω resistor.
P15	HS	Pixel port input sync	Horizontal Synchronization for Pixel Port Input Video.
P16	VS	Pixel port input sync	Vertical Synchronization for Pixel Port Input Video.
P17	TEST4	Test pin	Test Pin 4. Leave this pin floating.
P18	TEST1	Test pin	Test Pin 1. Leave this pin floating.
R1	NC	Do not connect	Leave this pin floating.
R2	NC	Do not connect	Leave this pin floating.
R3	GND	Ground	Ground.
R4	AVDD_TX	Power	HDMI Tx Analog Supply (1.8 V).
R5	TX_HPD_ARC-	HDMI Tx input	HDMI Tx Hot Plug Detect (HPD) Signal and Audio Return Channel Complement Input.
R6	R_TX	HDMI Tx input	This pin sets the internal reference currents for HDMI Tx. Place a 470 Ω resistor (1% tolerance) between this pin and GND. Place the external resistor as close as possible to the ADV7627 .
R7	GND	Ground	Ground.
R8	TX_ARC+	HDMI Tx input	HDMI Tx Audio Return Channel True Input.
R9	DDC_SDA_TX	HDMI Tx DDC	HDCP Slave Serial Data for HDMI Tx.
R10	DDC_SCL_TX	HDMI Tx DDC	HDCP Slave Serial Clock for HDMI Tx.
R11	CEC	HDMI Tx CEC	HDMI Tx Consumer Electronics Control (CEC).
R12	DVDDIO	Power	Digital Interface Supply (3.3 V).
R13	EP_CS	Serial port control	SPI Chip Select Interface for the OSD.
R14	P9/AP_IN_SCLK	Pixel port input/audio input	Pixel Port Input P9/Audio Input Port, SCLK.
R15	P11/AP_IN4	Pixel port input/audio input	Pixel Port Input P11/Audio Input Port, Input 4.
R16	P13/AP_IN2	Pixel port input/audio input	Pixel Port Input P13/Audio Input Port, Input 2.
R17	P15/AP_IN0	Pixel port input/audio input	Pixel Port Input P15/Audio Input Port, Input 0.
R18	PCLK	Pixel port input clock	Pixel Clock for Pixel Port Input Video.
T1	NC	Do not connect	Leave this pin floating.
T2	NC	Do not connect	Leave this pin floating.
T3	GND	Ground	Ground.
T4	AVDD_TX	Power	HDMI Tx Analog Supply (1.8 V).
T5	TEST9	Test pin	Connect this pin to ground using a 4.7 k Ω resistor.
T6	GND	Ground	Ground.
T7	GND	Ground	Ground.
T8	GND	Ground	Ground.
T9	GND	Ground	Ground.

Pin No.	Mnemonic	Function	Description
T10	AVDD_TX	Power	HDMI Tx Analog Supply (1.8V).
T11	AVDD_TX	Power	HDMI Tx Analog Supply (1.8V).
T12	DVDDIO	Power	Digital Interface Supply (3.3V).
T13	EP_SCLK	Serial port control	SPI Clock Interface for the OSD.
T14	P8/AP_IN_MCLK	Pixel port input/audio input	Pixel Port Input P8/Audio Input Port, MCLK.
T15	P10/AP_IN5	Pixel port input/audio input	Pixel Port Input P10/Audio Input Port, Input 5.
T16	P12/AP_IN3	Pixel port input/audio input	Pixel Port Input P12/Audio Input Port, Input 3.
T17	P14/AP_IN1	Pixel port input/audio input	Pixel Port Input P14/Audio Input Port, Input 1.
T18	DE	Pixel port input sync	Data Enable for Pixel Port Input Video.
U1	NC	Do not connect	Leave this pin floating.
U2	NC	Do not connect	Leave this pin floating.
U3	GND	Ground	Ground.
U4	TEST10	Test pin	Connect this pin to ground using a 4.7 k Ω resistor.
U5	TEST11	Test pin	Connect this pin to ground using a 4.7 k Ω resistor.
U6	PVDD_TX	Power	HDMI Tx PLL Power Supply (1.8V).
U7	GND	Ground	Ground.
U8	TX_C+	HDMI Tx output	HDMI Tx Clock True Output.
U9	TX_0+	HDMI Tx output	HDMI Tx Channel 0 True Output.
U10	TX_1+	HDMI Tx output	HDMI Tx Channel 1 True Output.
U11	TX_2+	HDMI Tx output	HDMI Tx Channel 2 True Output.
U12	GND	Ground	Ground.
U13	EP_MOSI	Serial port control	SPI Master Output/Slave Input for OSD.
U14	P1	Pixel port input	Pixel Port Input P1.
U15	P3	Pixel port input	Pixel Port Input P3.
U16	P5	Pixel port input	Pixel Port Input P5.
U17	P7	Pixel port input	Pixel Port Input P7.
U18	GND	Ground	Ground.
V1	GND	Ground	Ground.
V2	GND	Ground	Ground.
V3	GND	Ground	Ground.
V4	TEST12	Test pin	Connect this pin to ground using a 4.7 k Ω resistor.
V5	TEST13	Test pin	Connect this pin to ground using a 4.7 k Ω resistor.
V6	PVDD_TX	Power	HDMI Tx PLL Power Supply (1.8V).
V7	GND	Ground	Ground.
V8	TX_C-	HDMI Tx output	HDMI Tx Clock Complement Output.
V9	TX_0-	HDMI Tx output	HDMI Tx Channel 0 Complement Output.
V10	TX_1-	HDMI Tx output	HDMI Tx Channel 1 Complement Output.
V11	TX_2-	HDMI Tx output	HDMI Tx Channel 2 Complement Output.
V12	GND	Ground	Ground.
V13	EP_MISO	Serial port control	SPI Master Input/Slave Output for OSD.
V14	P0	Pixel port input	Pixel Port Input P0.
V15	P2	Pixel port input	Pixel Port Input P2.
V16	P4	Pixel port input	Pixel Port Input P4.
V17	P6	Pixel port input	Pixel Port Input P6.
V18	GND	Ground	Ground.

POWER SUPPLY RECOMMENDATIONS

POWER-UP SEQUENCE

The power-up sequence for the [ADV7627](#) is as follows:

1. Hold the `RESET` pin low.
2. Power up the 3.3 V supplies (DVDDIO and TVDD).
3. After the 3.3 V supplies reach their minimum recommended value of 3.14 V, wait at least 20 ms before powering up the 1.8 V supplies.
4. Power up the 1.8 V supplies (AVDD_TX, CVDD, DVDD, PVDD, and PVDD_TX). These supplies should be powered up at the same time; that is, there should be a difference of less than 0.3 V between them.
5. Release the `RESET` pin after all supplies are established.

After power-up, a complete reset is recommended. This reset can be performed by the system microcontroller.

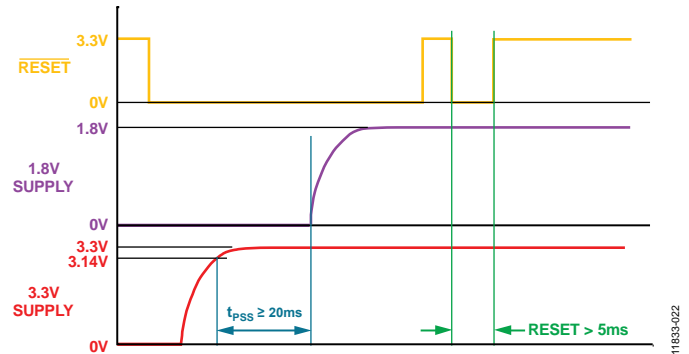


Figure 20. *ADV7627* Supply Power-Up Sequence

POWER-DOWN SEQUENCE

The [ADV7627](#) supplies can be deasserted simultaneously as long as DVDDIO or TVDD does not fall below a lower rated supply.

THEORY OF OPERATION

HDMI RECEIVER

The [ADV7627](#) front end incorporates a 5:1 multiplexed HDMI receiver capable of receiving all HDTV formats up to 3 GHz (4k × 2k at 24 Hz/25 Hz/30 Hz). The HDMI receiver also supports HDMI features including 3D TV and content type bits.

The HDMI receiver in the [ADV7627](#) incorporates an adaptive equalizer, which compensates for the high frequency losses inherent in HDMI and DVI cabling, especially at longer lengths and higher frequencies.

The [ADV7627](#) features a 768-byte internal EDID memory space, which can be used to store two independent EDIDs. The memory can be partitioned to provide two 256-byte EDIDs or one 512-byte extended EDID and one 256-byte EDID. Either EDID can be replicated on any input port.

The HDMI receiver offers advanced audio functionality. The receiver supports multichannel I²S audio for up to eight channels. The receiver also supports a six-DSD channel interface, with each channel carrying an oversampled 1-bit representation of the audio signal as delivered on SACD. The [ADV7627](#) can also receive HBR audio packet streams and output them through the HBR interface in an S/PDIF format that conforms to the IEC 60958 standard. S/PDIF is supported via the HPD back channel. The receiver also contains an audio mute controller that can detect a variety of conditions that can result in audible extraneous noise in the audio output. On detection of these conditions, the audio data can be ramped to prevent audio clicks or pops.

HDCP REPEATER FUNCTIONALITY

With the inclusion of HDCP 1.4, displays can receive encrypted video content. The HDMI interface of the [ADV7627](#) allows authentication of a video receiver, decryption of encoded data at the receiver, and renewability of that authentication during transmission, as specified by the HDCP 1.4 protocol. Repeater support is also offered by the [ADV7627](#).

DIGITAL AUDIO PORTS

The [ADV7627](#) features an audio input port and an audio output port. The audio input and output ports provide comprehensive muxing support for the destination of the audio (for example, to the HDMI transmitter or audio output port) and support for the source of the audio (for example, from the HDMI receiver or from the audio input port). The extracted audio can be processed by a SHARC® processor and can be reinserted back into the HDMI output stream or output via the hardware connected to the system.

The pins for the pixel port input signals (P15 to P8) are shared with the AP_IN audio input port. When the pixel port input is in use, the AUD_IN port can be used to provide stereo audio input.

ON-SCREEN DISPLAY

A key feature of the [ADV7627](#) is the on-chip character- and icon-based OSD generator. The generated OSD can be converted to match the 4:2:2 or 4:4:4 input format in either the RGB or YCrCb color spaces. After the OSD is generated, it is overlaid at the output resolution (any video resolution up to 4k × 2k at 24 Hz/25 Hz/30 Hz) for best performance. The OSD portion of the image is optionally semitransparent using a 5-bit alpha blend between the input video and the OSD. The OSD font characters and icons can be stored in external SPI flash memory, read directly into RAM, or they can be loaded into the on-chip RAM via the SPI or I²C interface.

PIXEL PORT INPUT

The [ADV7627](#) features a 16-bit pixel input port that facilitates the reception of digital video data from an analog front-end video decoder such as the [ADV7180](#), [ADV7181D](#), or [ADV7842](#). Both embedded timing and external synchronization signals are supported on the pixel port. The pixel port input also features an interlaced-to-progressive converter for 480i or 576i inputs.

HDMI TRANSMITTER

The [ADV7627](#) incorporates an HDMI transmitter, which supports all HDTV formats up to 3 GHz (4k × 2k at 24 Hz/25 Hz/30 Hz), ARC, and all mandatory 3D TV formats. The HDMI transmitter can output any audio mode received from the HDMI receiver, including audio sample packets, HBR, or DSD.

The ARC receiver supports both single-ended and differential modes and simplifies cabling by combining an upstream audio capability in a conventional HDMI cable. The transmitter features an on-chip MPU with an I²C master to perform HDCP operations and EDID read operations.

I²C INTERFACE

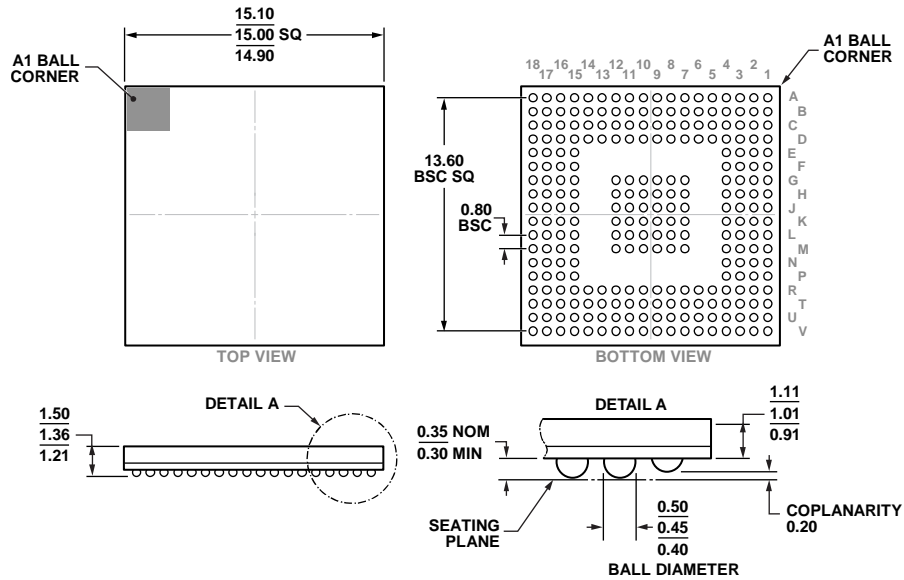
The [ADV7627](#) supports a 2-wire serial (I²C-compatible) microprocessor bus driving multiple peripherals. The [ADV7627](#) is controlled by an external I²C master device, such as a microcontroller.

OTHER FEATURES

Other features of the [ADV7627](#) include the following:

- Fully qualified software low level libraries, driver, and application
- Complete input and output audio support
- Programmable interrupt request output pins: INT1 and INT2
- Chip select and ALSB
- Low power consumption: 1.8 V digital core, 1.8 V analog, and 3.3 V digital input/output
- Temperature range: 0°C to 70°C
- 15 mm × 15 mm, Pb-free, 260-ball CSP_BGA

OUTLINE DIMENSIONS



COMPLIANT TO JEDEC STANDARDS MO-275-KKAB-1.

Figure 21. 260-Ball Chip Scale Package Ball Grid Array [CSP_BGA] (BC-260-1)

Dimensions shown in millimeters

11-18-2013-B

ORDERING GUIDE

Model ^{1,2}	Temperature Range	Package Description	Package Option
ADV7627KBCZ-8	0°C to 70°C	260-Ball Chip Scale Package Ball Grid Array [CSP_BGA]	BC-260-1
ADV7627KBCZ-8-RL	0°C to 70°C	260-Ball Chip Scale Package Ball Grid Array [CSP_BGA]	BC-260-1
EVAL-ADV7625-SMZ		Evaluation Board	

¹ Z = RoHS Compliant Part.

² This part is programmed with internal HDCP keys. Customers must have HDCP adopter status (consult Digital Content Protection, LLC, for licensing requirements) to purchase any components with internal HDCP keys.

NOTES

I²C refers to a communications protocol originally developed by Philips Semiconductors (now NXP Semiconductors).

HDMI, the HDMI Logo, and High-Definition Multimedia Interface are trademarks or registered trademarks of HDMI Licensing LLC in the United States and other countries.

©2013 Analog Devices, Inc. All rights reserved. Trademarks and registered trademarks are the property of their respective owners.
D11833-0-12/13(0)



www.analog.com