



Is Now Part of



ON Semiconductor®

To learn more about ON Semiconductor, please visit our website at
www.onsemi.com

Please note: As part of the Fairchild Semiconductor integration, some of the Fairchild orderable part numbers will need to change in order to meet ON Semiconductor's system requirements. Since the ON Semiconductor product management systems do not have the ability to manage part nomenclature that utilizes an underscore (_), the underscore (_) in the Fairchild part numbers will be changed to a dash (-). This document may contain device numbers with an underscore (_). Please check the ON Semiconductor website to verify the updated device numbers. The most current and up-to-date ordering information can be found at www.onsemi.com. Please email any questions regarding the system integration to Fairchild_questions@onsemi.com.

ON Semiconductor and the ON Semiconductor logo are trademarks of Semiconductor Components Industries, LLC dba ON Semiconductor or its subsidiaries in the United States and/or other countries. ON Semiconductor owns the rights to a number of patents, trademarks, copyrights, trade secrets, and other intellectual property. A listing of ON Semiconductor's product/patent coverage may be accessed at www.onsemi.com/site/pdf/Patent-Marking.pdf. ON Semiconductor reserves the right to make changes without further notice to any products herein. ON Semiconductor makes no warranty, representation or guarantee regarding the suitability of its products for any particular purpose, nor does ON Semiconductor assume any liability arising out of the application or use of any product or circuit, and specifically disclaims any and all liability, including without limitation special, consequential or incidental damages. Buyer is responsible for its products and applications using ON Semiconductor products, including compliance with all laws, regulations and safety requirements or standards, regardless of any support or applications information provided by ON Semiconductor. "Typical" parameters which may be provided in ON Semiconductor data sheets and/or specifications can and do vary in different applications and actual performance may vary over time. All operating parameters, including "Typicals" must be validated for each customer application by customer's technical experts. ON Semiconductor does not convey any license under its patent rights nor the rights of others. ON Semiconductor products are not designed, intended, or authorized for use as a critical component in life support systems or any FDA Class 3 medical devices or medical devices with a same or similar classification in a foreign jurisdiction or any devices intended for implantation in the human body. Should Buyer purchase or use ON Semiconductor products for any such unintended or unauthorized application, Buyer shall indemnify and hold ON Semiconductor and its officers, employees, subsidiaries, affiliates, and distributors harmless against all claims, costs, damages, and expenses, and reasonable attorney fees arising out of, directly or indirectly, any claim of personal injury or death associated with such unintended or unauthorized use, even if such claim alleges that ON Semiconductor was negligent regarding the design or manufacture of the part. ON Semiconductor is an Equal Opportunity/Affirmative Action Employer. This literature is subject to all applicable copyright laws and is not for resale in any manner.



6 2016

FOD420, FOD4208, FOD4216, FOD4218 6 引脚 DIP 无缓冲随机相位 Triac 驱动器

产品特性

- 300 mA 通态电流
- 高阻断电压
 - 600 V (FOD420, FOD4216)
 - 800 V (FOD4208, FOD4218)
- 高触发灵敏度
 - 1.3 mA (FOD4216, FOD4218)
 - 2 mA (FOD420, FOD4208)
- 高静态 dv/dt (10,000V/μs)
- 安全和法规认证:
 - UL1577, 5,000 VAC_{RMS} (1 分钟)
 - DIN-EN/IEC60747-5-5

说明

FOD420、FOD4208、FOD4216 和 FOD4218 器件包含一个红外线发光二极管，该二极管耦合至采用两个反向并联 SCR 形成的混合随机相位三端双向可控硅开关，形成能够驱动分立式三端双向可控硅开关的三端双向可控硅开关功能。FOD4216 和 FOD4218 采用一个高效红外线发光二极管提供增强的触发灵敏度。这些器件采用标准 6 引脚双列直插 (DIP) 封装。

应用

- 固态继电器
- 工业控制
- 照明控制
- 静态功率开关
- AC 电机启动器

功能示意图

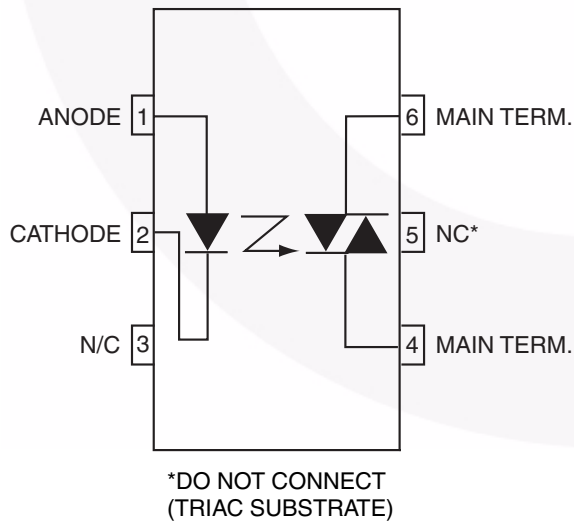


Figure 1. Schematic

封装外形

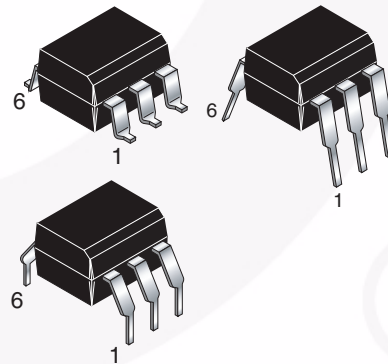


Figure 2. Package Outlines

FOD420、FOD4208、FOD4216、FOD4218 — 6 引脚 DIP 无缓冲过零 Triac 驱动器

安全性和绝缘标准

根据 DIN EN/IEC 60747-5-5, 此光电耦合器仅适用于安全极限数据之内的“安全电气绝缘”。通过保护性电路确保各项安全标准达标。

参数		特性
基于 0110/1.89 表 1 的安装分类, 提供额定电源电压	< 150 V _{RMS}	I-IV
	< 300 V _{RMS}	I-IV
气候分类		55/100/21
污染等级 (DIN VDE 0110/1.89)		2
相比漏电起痕指数		175

符号	参数	数值	单位
V _{PR}	输入至输出测试电压, 方法 A, V _{IORM} × 1.6 = V _{PR} , 型式和样品测试, t _m = 10 s, 局部放电 < 5 pC	1360	V _{peak}
	输入至输出测试电压, 方法 B, V _{IORM} × 1.875 = V _{PR} , 100% 生产测试, t _m = 1 s, 局部放电 < 5 pC	1594	V _{peak}
V _{IORM}	最大工作绝缘电压	850	V _{peak}
V _{IOTM}	最高允许过电压	6000	V _{peak}
	外部爬电距离	≥ 7	mm
	外部绝缘间隙	≥ 7	mm
DTI	绝缘穿透距离 (绝缘厚度)	≥ 0.4	mm
T _S	壳温 ⁽¹⁾	175	°C
I _{S,INPUT}	输入电流 ⁽¹⁾	400	mA
P _{S,OUTPUT}	输出功率 ⁽¹⁾	700	mW
R _{IO}	T _S 、V _{IO} = 500 V ⁽¹⁾ 时的绝缘阻抗	> 10 ⁹	Ω

注意:

- 安全极限值 – 发生故障时允许的最大值。

绝对最大额定值

应力超过绝对最大额定值，可能会损坏设备。在超出推荐的工作条件的情况下，该器件可能无法正常运行或操作，所以不建议让器件在这些条件下长期工作。此外，过度暴露在高于推荐的工作条件下，会影响器件的可靠性。绝对最大额定值仅是额定应力值。除非另有说明， $T_A = 25^\circ\text{C}$

符号	参数	器件	数值	单位
T_{STG}	存储温度	所有	-55 to +150	$^\circ\text{C}$
T_{OPR}	工作温度	所有	-55 至 +100	$^\circ\text{C}$
T_J	结温的关系	所有	-55 至 +125	$^\circ\text{C}$
T_{SOL}	引脚焊接温度	所有	10 秒 260	$^\circ\text{C}$
$P_{D(TOTAL)}$	器件总功耗 (25 $^\circ\text{C}$ 时)	所有	500	mW
	超过 25 $^\circ\text{C}$ 时降额	所有	6.6	mW/ $^\circ\text{C}$
发射极				
I_F	连续正向电流	所有	30	A
V_R	反向电压的关系	所有	6	V
$P_{D(EMITTER)}$	总功耗 (25 $^\circ\text{C}$ 环境温度时)	所有	50	mW
	超过 25 $^\circ\text{C}$ 时降额	所有	0.71	mW/ $^\circ\text{C}$
检测器				
V_{DRM}	断态输出端电压	FOD420, FOD4216	600	V
		FOD4208, FOD4218	800	
I_{TSM}	峰值非重复浪涌电流 (单循环 60 Hz 正弦波)	所有	3	A
I_{TM}	峰值通态电流	所有	300	mA
$P_{D(DETECTOR)}$	总功耗 (25 $^\circ\text{C}$ 环境温度时)	所有	450	mW
	超过 25 $^\circ\text{C}$ 时降额	所有	5.9	mW/ $^\circ\text{C}$

电气特性除非另有说明， $T_A = 25^\circ\text{C}$ **独立元器件特性**

符号	参数	测试条件	器件	最小值	典型值	最大值	单位
发射极							
V_F	输入正向电压	$I_F = 20\text{ mA}$	所有		1.28	1.50	V
I_R	反向漏电流	$V_R = 6\text{ V}$	所有		0.01	10	μA
检测器							
$I_{D(RMS)}$	峰值阻断电流，任一方向	$I_F = 0,$ $T_A = 100^\circ\text{C}^{(2)}$	$V_D = 600\text{ V}$	FOD420, FOD4216	3	100	μA
			$V_D = 800\text{ V}$	FOD4208, FOD4218			
$I_{R(RMS)}$	反向电流	$T_A = 100^\circ\text{C}$	$V_D = 600\text{ V}$	FOD420, FOD4216	3	100	μA
			$V_D = 800\text{ V}$	FOD4208, FOD4218			
dv/dt	关断电压 上升临界值	$I_F = 0^{(3)}$ (图 13)	所有	10,000			V/ μs

注意：

2. 必须在 dv/dt 额定值范围内施加测试电压。
3. 这就是静态 dv/dt。测试电路见图 13。换向 dv/dt 只与负载驱动晶闸管有关。

电气特性 (续)除非另有说明, $T_A = 25^\circ\text{C}$ **传输特性**

符号	参数	测试条件		器件	最小值	典型值	最大值	单位
I_{FT}	LED 触发电流	主端电压 = 5 V ⁽⁴⁾		FOD420, FOD4208		0.75	2.0	mA
				FOD4216, FOD4218		0.75	1.3	
V_{TM}	峰值通态电压, 任一方向	$I_{TM} = 300\text{ mA}$ (峰值)、 $I_F =$ 额定值 I_{FT}		所有		2.2	3	V
I_H	维持电流, 任一方向	$V_T = 3\text{ V}$		所有		200	500	μA
I_L	门锁电流	$V_T = 2.2\text{ V}$		所有		5		mA
t_{ON}	导通时间	PF = 1.0, $I_T = 300\text{ mA}$	$V_{RM} = V_{DM} = 424\text{ VAC}$	FOD420, FOD4216, FOD4218		60		μs
			$V_{RM} = V_{DM} = 565\text{ VAC}$	FOD4208				
t_{OFF}	关断时间	PF = 1.0, $I_T = 300\text{ mA}$	$V_{RM} = V_{DM} = 424\text{ VAC}$	FOD420, FOD4216, FOD4218		52		μs
			$V_{RM} = V_{DM} = 565\text{ VAC}$	FOD4208				
dv/dt_{crq}	换流时的电压临界上升率	$V_D = 0.67 V_{DRM}$, $di/dt_{crq} \leq 15\text{ A/ms}$	$T_J = 25^\circ\text{C}$	所有	10,000			$\text{V}/\mu\text{s}$
			$T_J = 80^\circ\text{C}$		5,000			$\text{V}/\mu\text{s}$
di/dt_{cr}	通态电流临界上升率			所有			8	$\text{A}/\mu\text{s}$
$dv(I/O)/dt$	耦合输入 / 输出电压上升临界值	$I_T = 0\text{ A}$, $V_{RM} = V_{DM} = 424\text{ VAC}$		所有		10,000		$\text{V}/\mu\text{s}$

注意:

4. 保证所有器件都能在 I_F 值小于或等于最大 I_{FT} 时触发。因此, 推荐的工作 I_F 介于最大 I_{FT} (对于 FOD420 和 FOD4208 为 2 mA, 对于 FOD4216 和 FOD4218 为 1.3 mA) 与绝对最大 I_F (60 mA) 之间。

绝缘特性

符号	参数	测试条件	器件	最小值	典型值	最大值	单位
V_{ISO}	稳态隔离电压	$f = 60\text{ Hz}$, $t = 1\text{ 分钟}^{(5)}$	所有	5,000			VAC_{RMS}

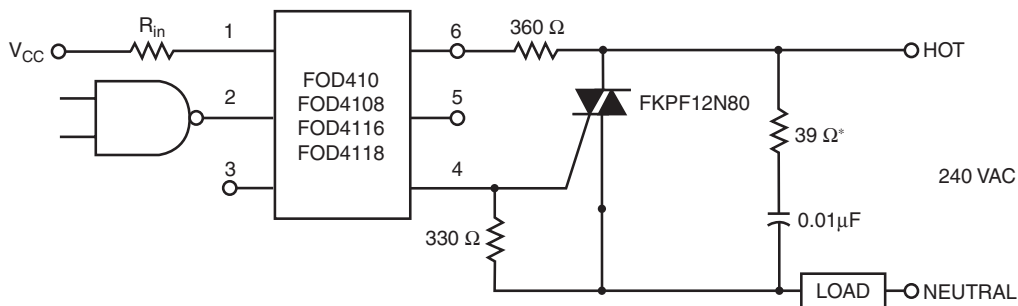
注意:

5. 隔离电压 V_{ISO} 是内部器件介质击穿额定电压。对于该测试, 引脚 1、2 和 3 共用, 引脚 4、5 和 6 共用。5,000 VAC_{RMS} 持续 1 分钟相当于 6,000 VAC_{RMS} 持续 1 秒钟。

典型应用

Figure 3 shows a typical circuit for when hot line switching is required. In this circuit the "hot" side of the line is switched and the load connected to the cold or neutral side. The load may be connected to either the neutral or hot line.

R_{in} is calculated so that I_F is equal to the rated I_{FT} of the part, 2 mA for FOD410 and FOD4108, 1.3 mA for FOD4116 and FOD4118. The 39 Ω resistor and 0.01 μF capacitor are for snubbing of the triac and may or may not be necessary depending upon the particular triac and load use.



* For highly inductive loads (power factor < 0.5), change this value to 360 ohms.

Figure 3. Hot-Line Switching Application Circuit

典型性能特征

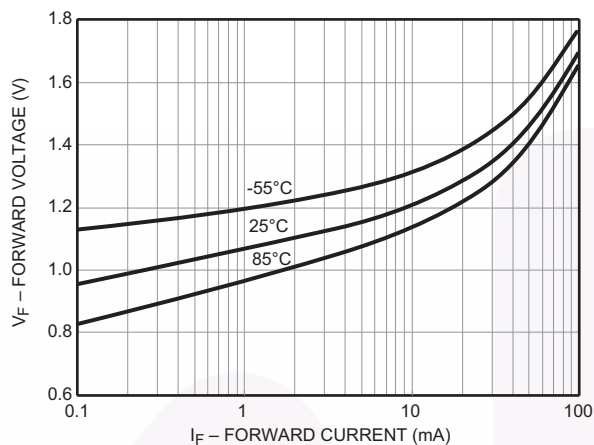


Figure 4. Forward Voltage (V_F) vs. Forward Current (I_F)

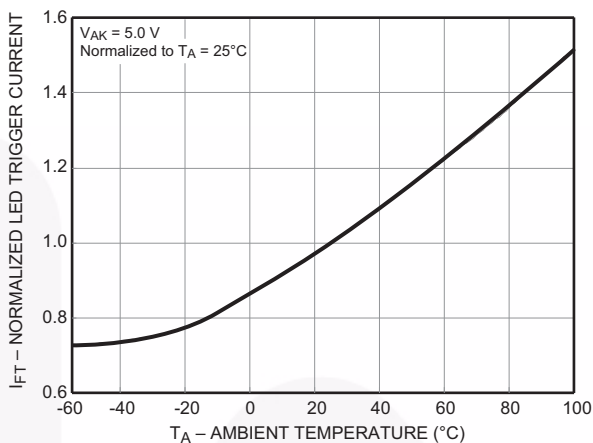


Figure 5. Normalized LED Trigger Current (I_{FT}) vs. Ambient Temperature (T_A)

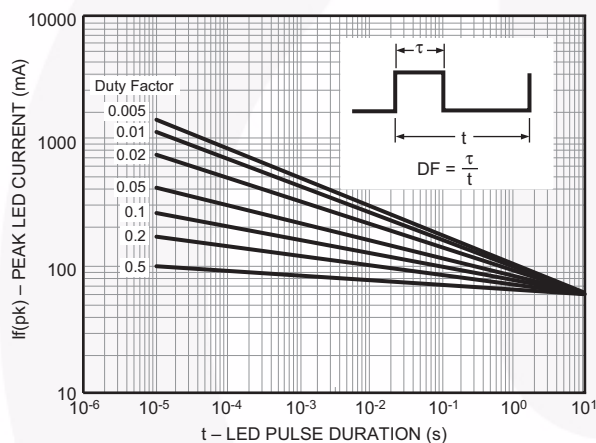


Figure 6. Peak LED Current vs. Duty Factor, Tau

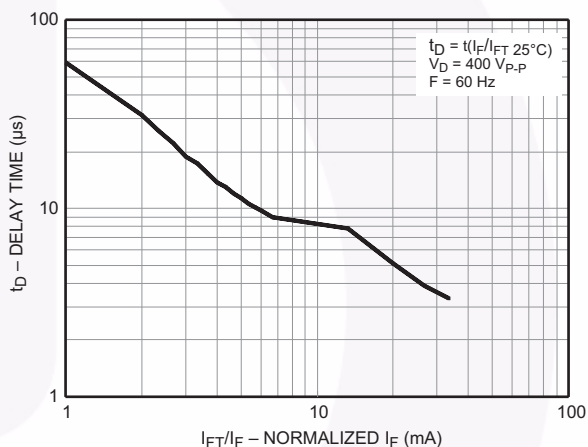


Figure 7. Trigger Delay Time

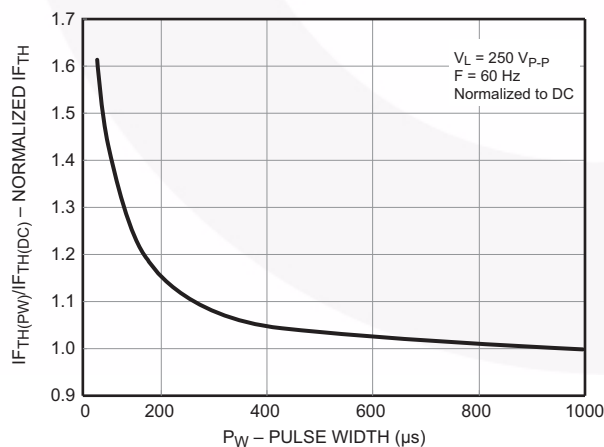


Figure 8. Pulse Trigger Current

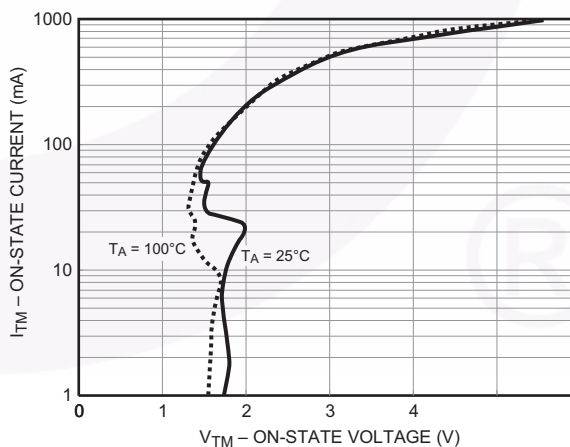


Figure 9. On-State Voltage (V_{TM}) vs. On-State Current (I_{TM})

典型性能特性 (接上页)

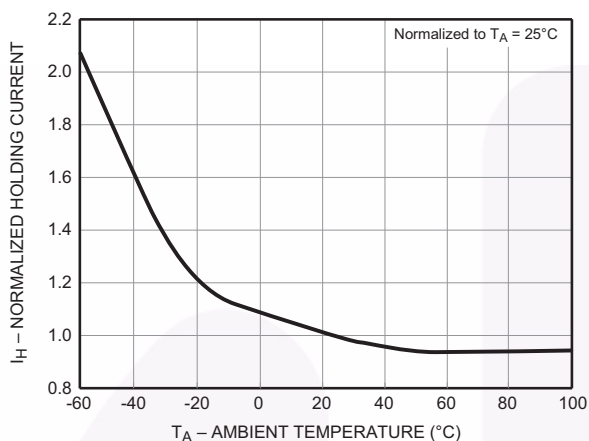


Figure 10. Normalized Holding Current (I_H) vs. Ambient Temperature (T_A)

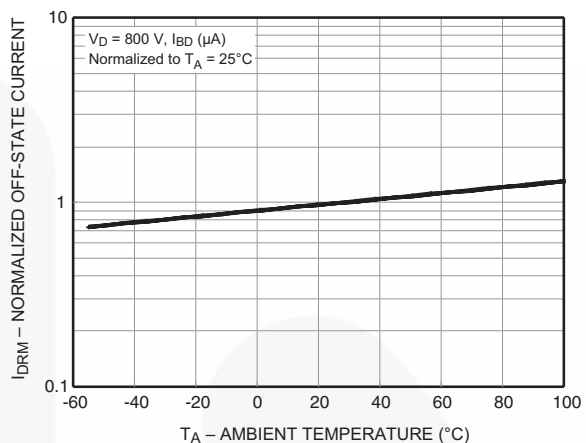


Figure 11. Normalized Off-State Current (I_{DRM}) vs. Ambient Temperature (T_A)

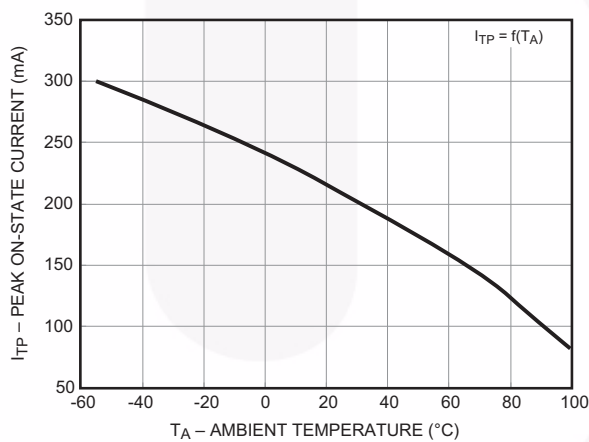
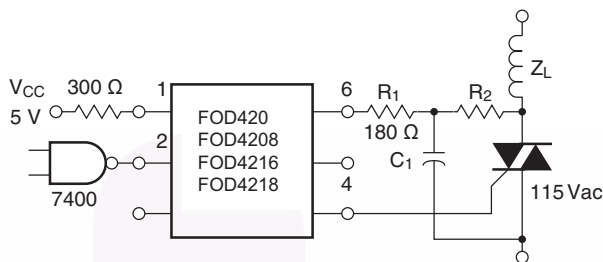


Figure 12. Current Reduction



NOTE: Circuit supplies 25 mA drive to gate of triac at $V_{in} = 25\text{ V}$ and $T_A < 70^\circ\text{C}$

TRIAC		
I_{GT} (mA)	R_2 (Ω)	C_1 (μF)
15	2400	0.1
30	1200	0.2
50	800	0.3

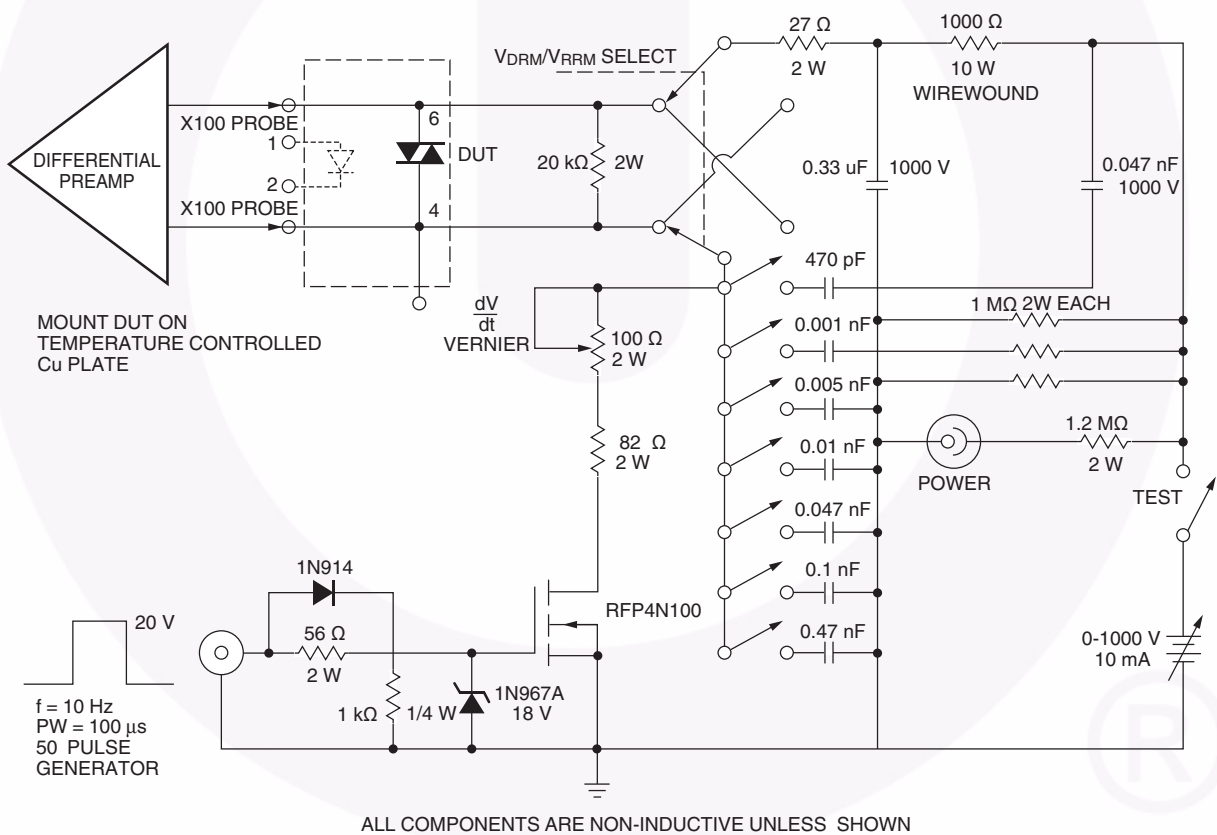


Figure 13. Circuit for Static $\frac{dv}{dt}$ Measurement of Power Thyristors

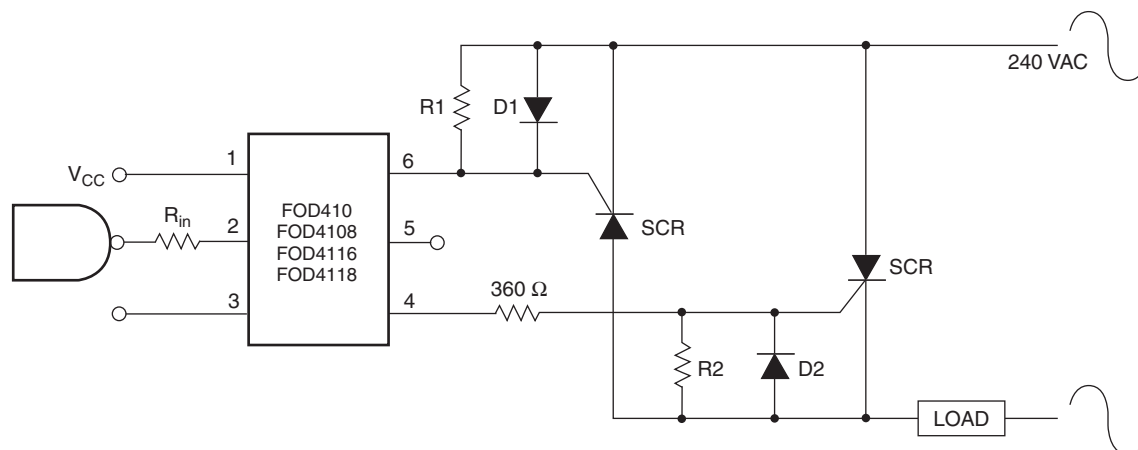
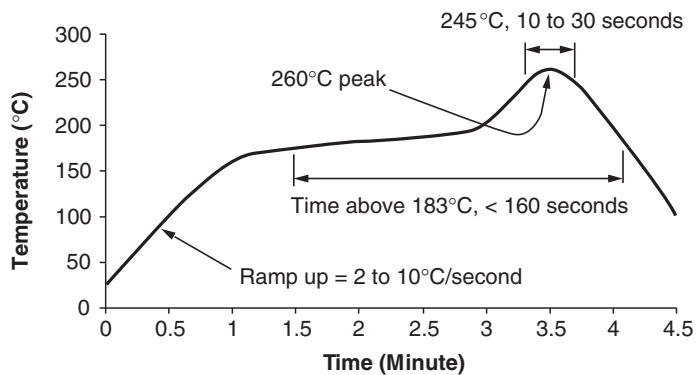


Figure 16. Inverse-Parallel SCR Driver Circuit

Suggested method of firing two, back-to-back SCR's with a Fairchild triac driver. Diodes can be 1N4001; resistors, R1 and R2, are optional 330 Ω .

Note: This optoisolator should not be used to drive a load directly. It is intended to be a discrete triac driver device only.

Reflow Profile



- Peak reflow temperature: 26°C (package surface temperature)
- Time of temperature higher than 18°C for 160 seconds or less
- One time soldering reflow is recommende

Figure 17. Reflow Profile

订购信息

部件编号	封装	封装方法
FOD420	DIP 6-Pin	管状包装 (50 单位)
FOD420S	SMT 6 引脚 (引脚弯曲)	管状包装 (50 单位)
FOD420SD	SMT 6 引脚 (引脚弯曲)	卷带包装 (1000 单位)
FOD420V	DIP 6 引脚、DIN EN/IEC 60747-5-5 选项	管状包装 (50 单位)
FOD420SV	SMT 6 引脚 (弯曲引线)、DIN EN/IEC 60747-5-5 选项	管状包装 (50 单位)
FOD420SDV	SMT 6 引脚 (弯曲引线)、DIN EN/IEC 60747-5-5 选项	卷带包装 (1000 单位)
FOD420TV	DIP 6 引脚、0.4" 引脚间距、DIN EN/IEC 60747-5-5 选项	管状包装 (50 单位)

注意:

6. 该表中所列的可订购产品部件编号系统同样适用于 FOD4208、FOD4216 和 FOD4218 产品系列。

标识信息

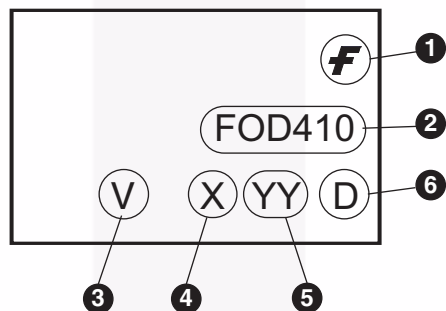


图 16. 顶标

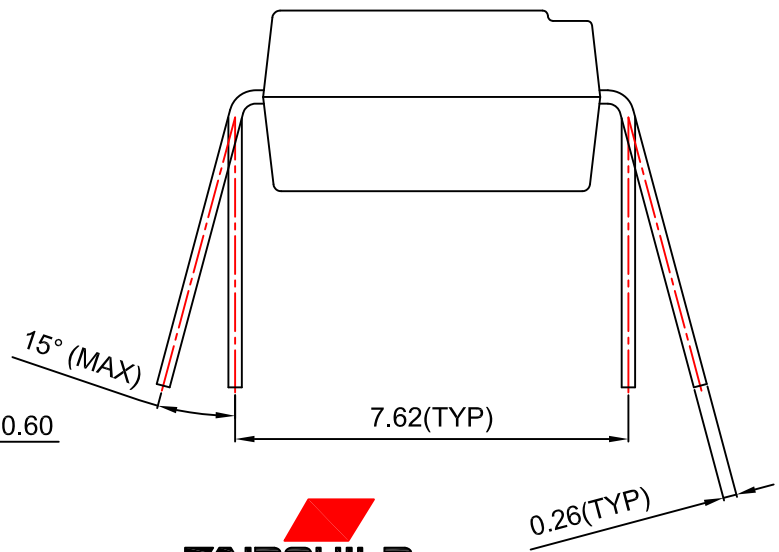
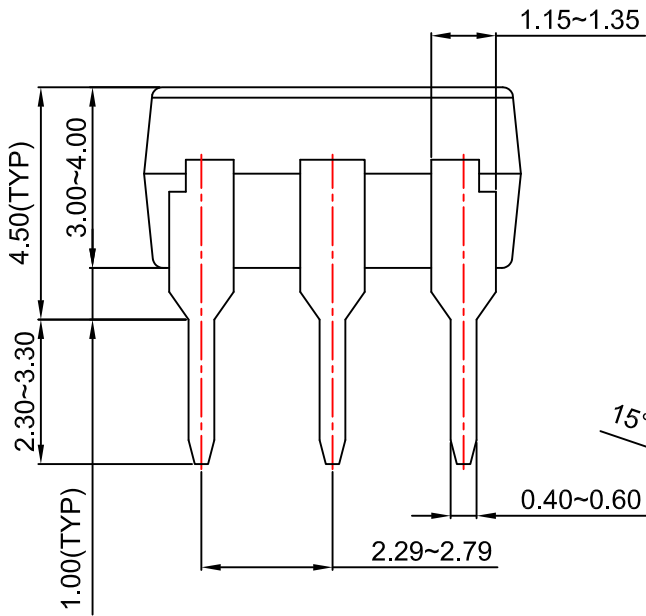
表 1. 顶标定义

1	飞兆徽标
2	器件编号
3	VDE 标记 DIN EN/IEC60747-5-5 选项 (只有组件订购附带此选项时出现)
4	一位数年份代码, 如“6”
5	工作周数, 范围从“01”至“53”
6	装配封装码



NOTES:

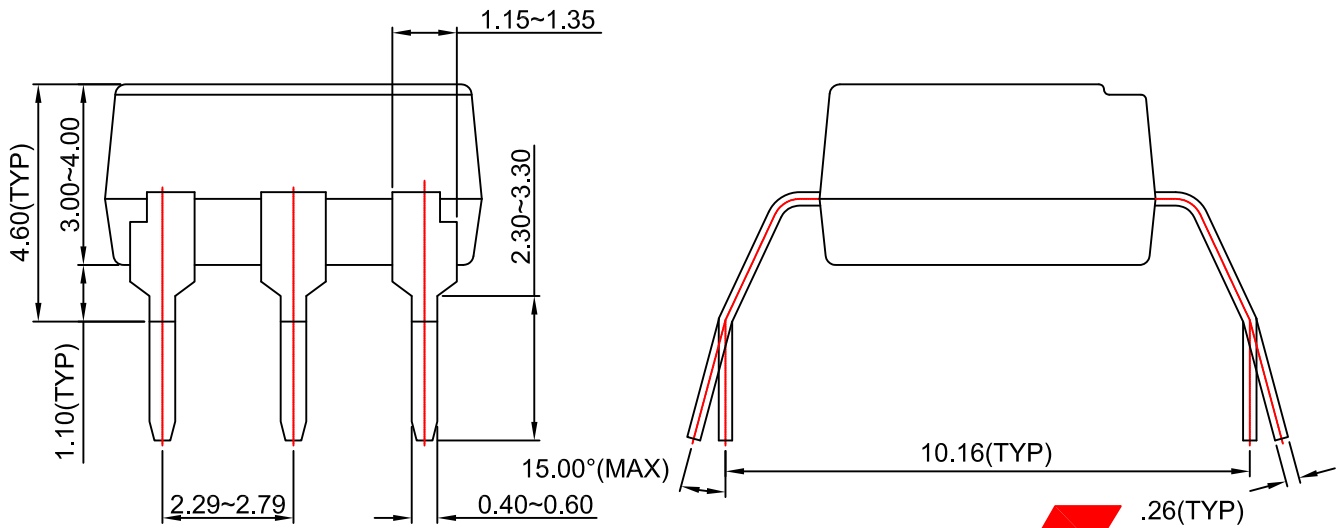
- A) NO STANDARD APPLIES TO THIS PACKAGE.
- B) ALL DIMENSIONS ARE IN MILLIMETERS.
- C) DIMENSIONS ARE EXCLUSIVE OF BURRS, MOLD FLASH, AND TIE BAR EXTRUSION
- D) DRAWING FILENAME AND REVISION: MKT-N06Erev2.





NOTES:

- A) NO STANDARD APPLIES TO THIS PACKAGE.
- B) ALL DIMENSIONS ARE IN MILLIMETERS.
- C) DIMENSIONS ARE EXCLUSIVE OF BURRS, MOLD FLASH, AND TIE BAR EXTRUSION
- D) DRAWING FILENAME AND REVISION: MKT-N06Grev2.



ON Semiconductor and  are trademarks of Semiconductor Components Industries, LLC dba ON Semiconductor or its subsidiaries in the United States and/or other countries. ON Semiconductor owns the rights to a number of patents, trademarks, copyrights, trade secrets, and other intellectual property. A listing of ON Semiconductor's product/patent coverage may be accessed at www.onsemi.com/site/pdf/Patent-Marking.pdf. ON Semiconductor reserves the right to make changes without further notice to any products herein. ON Semiconductor makes no warranty, representation or guarantee regarding the suitability of its products for any particular purpose, nor does ON Semiconductor assume any liability arising out of the application or use of any product or circuit, and specifically disclaims any and all liability, including without limitation special, consequential or incidental damages. Buyer is responsible for its products and applications using ON Semiconductor products, including compliance with all laws, regulations and safety requirements or standards, regardless of any support or applications information provided by ON Semiconductor. "Typical" parameters which may be provided in ON Semiconductor data sheets and/or specifications can and do vary in different applications and actual performance may vary over time. All operating parameters, including "Typicals" must be validated for each customer application by customer's technical experts. ON Semiconductor does not convey any license under its patent rights nor the rights of others. ON Semiconductor products are not designed, intended, or authorized for use as a critical component in life support systems or any FDA Class 3 medical devices or medical devices with a same or similar classification in a foreign jurisdiction or any devices intended for implantation in the human body. Should Buyer purchase or use ON Semiconductor products for any such unintended or unauthorized application, Buyer shall indemnify and hold ON Semiconductor and its officers, employees, subsidiaries, affiliates, and distributors harmless against all claims, costs, damages, and expenses, and reasonable attorney fees arising out of, directly or indirectly, any claim of personal injury or death associated with such unintended or unauthorized use, even if such claim alleges that ON Semiconductor was negligent regarding the design or manufacture of the part. ON Semiconductor is an Equal Opportunity/Affirmative Action Employer. This literature is subject to all applicable copyright laws and is not for resale in any manner.

PUBLICATION ORDERING INFORMATION

LITERATURE FULFILLMENT:

Literature Distribution Center for ON Semiconductor
19521 E. 32nd Pkwy, Aurora, Colorado 80011 USA
Phone: 303-675-2175 or 800-344-3860 Toll Free USA/Canada
Fax: 303-675-2176 or 800-344-3867 Toll Free USA/Canada
Email: orderlit@onsemi.com

N. American Technical Support: 800-282-9855 Toll Free
USA/Canada
Europe, Middle East and Africa Technical Support:
Phone: 421 33 790 2910
Japan Customer Focus Center
Phone: 81-3-5817-1050

ON Semiconductor Website: www.onsemi.com
Order Literature: <http://www.onsemi.com/orderlit>
For additional information, please contact your local
Sales Representative