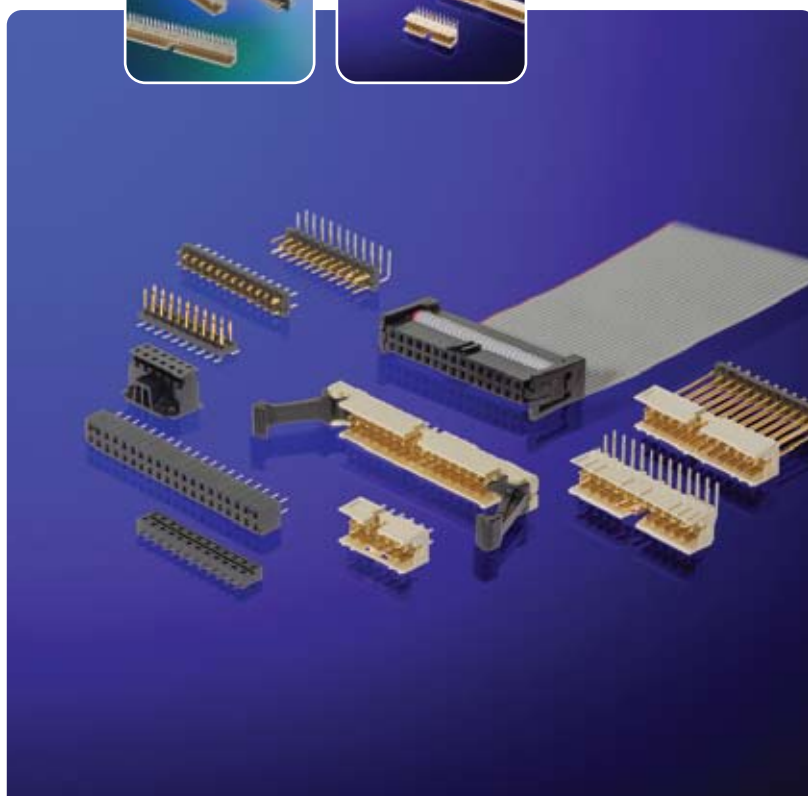
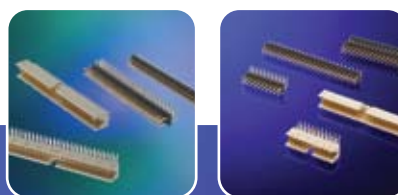


NOW IT ALL FITS TOGETHER !

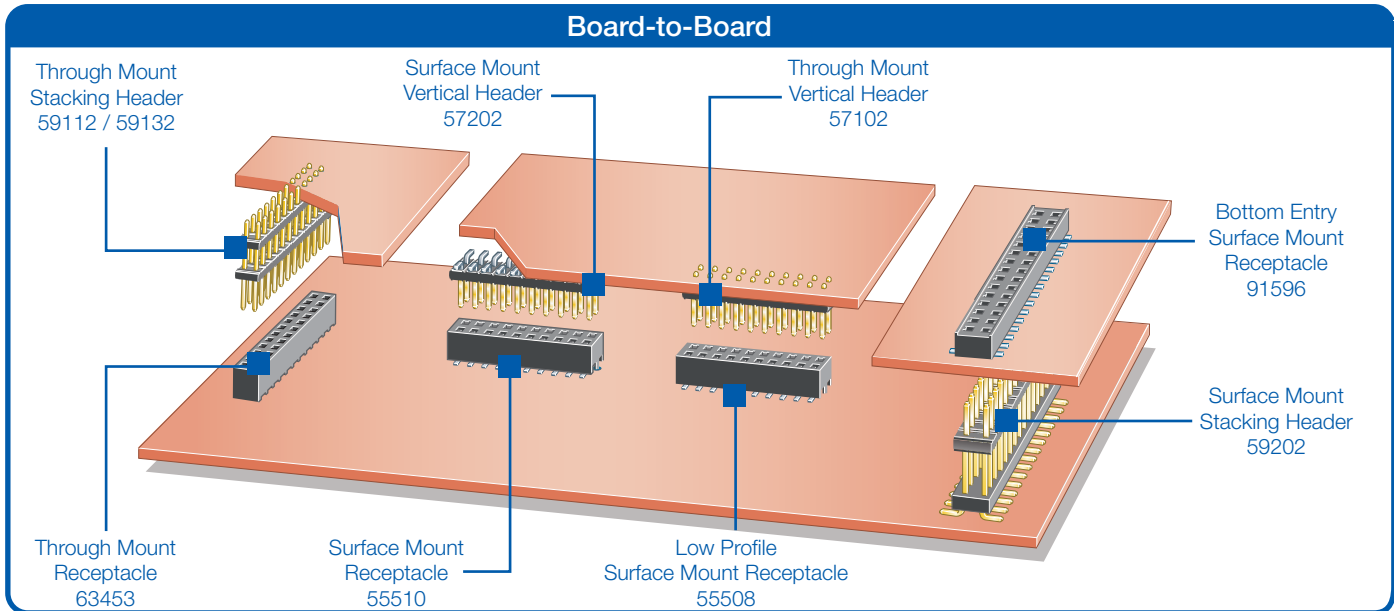
- Everything intermateable!
- The most complete 2 mm system ever!
 - Board-to-Board
 - Wire-to-Board
 - Flat Cable-to-Board
- 38% less board space, yet fully equivalent to 2.54 mm systems like BergStik®, Dubox™ , etc.
- Lowest profile eject header
- Lowest coplanarity at 0.1 mm
- Operating temperatures as high as 125 °C
- New optional active latch
- Pin-in-Paste headers
- Lowest profile strain relief



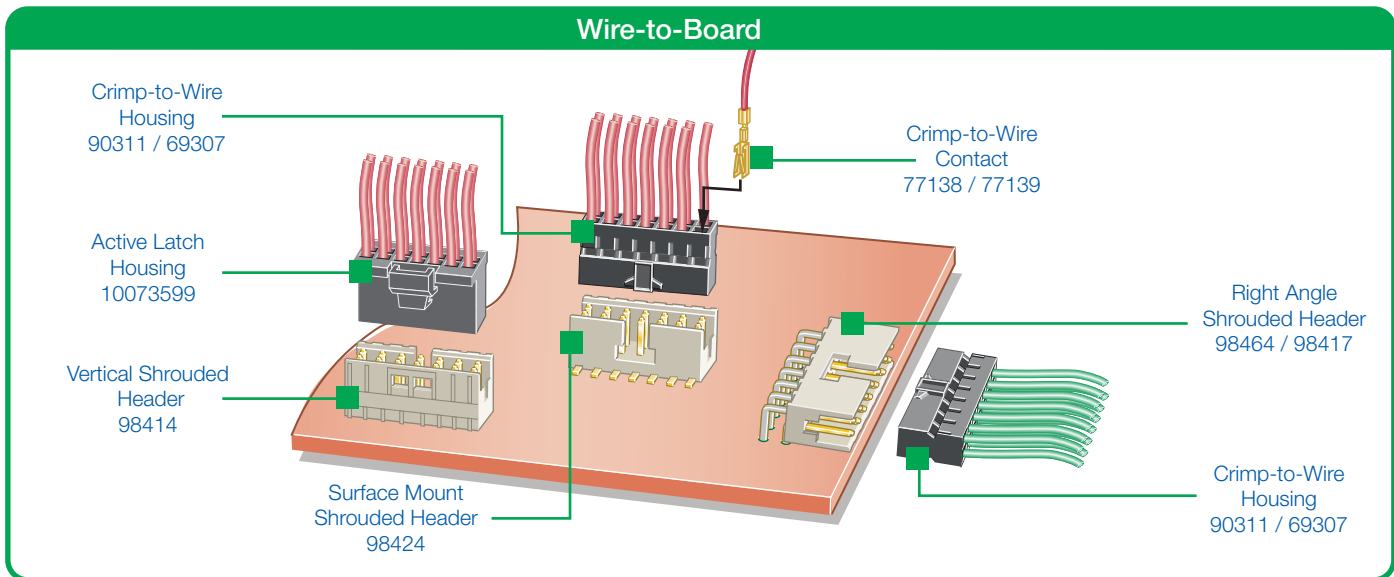
 **ELECTRONICS**

MINITEK™ 2 mm MODULAR SYSTEM

Board-to-Board



Wire-to-Board



Flat Cable-to-Board

