

**TOSHIBA**

Leading Innovation >>>

System Catalog 2012-12

# Semiconductors for Power Supplies

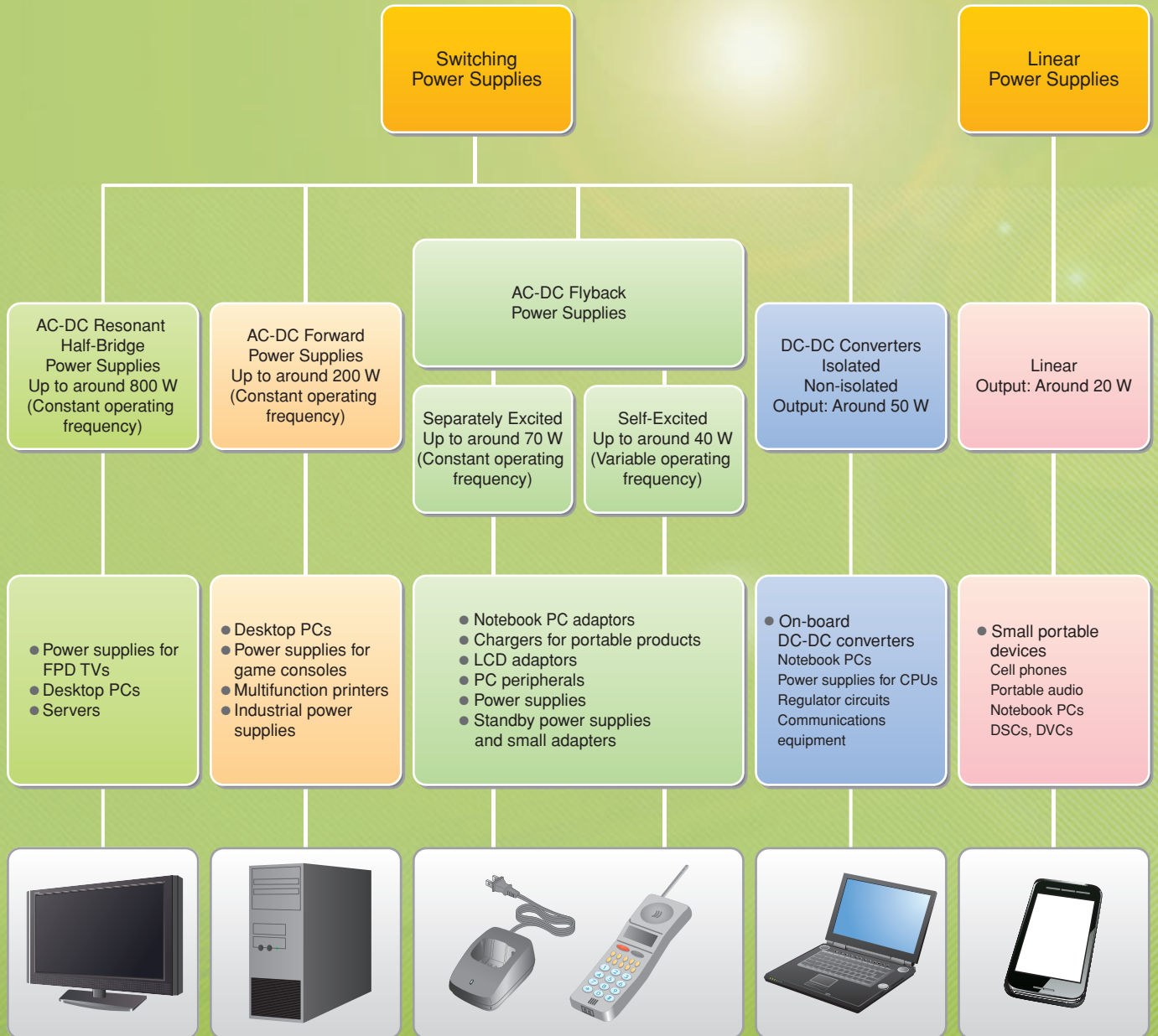


SEMICONDUCTOR & STORAGE PRODUCTS

<http://www.semicon.toshiba.co.jp/eng>



# Power Supply Circuit Types and Their Applications



Toshiba offers various semiconductor devices for power supply applications to meet a wide range of customer needs varying from low power to high power. These devices help to save energy and improve power efficiency.



## Technical Trend of Switching Regulators

System Trend	Circuit Technology Trend	Requirements for Semiconductor Devices
Lower loss / higher efficiency	Use of synchronous rectification	Reduced $R_{on}$ and improved speed of power MOSFETs Improved $V_F$ - $I_{RRM}$ tradeoffs of SBDs
Higher frequency	Transition from PWM switching to resonant and interleaved switching	Reduced input capacitance of power MOSFETs Improved $V_F$ - $I_{RRM}$ tradeoffs of SBDs
Smaller and thinner form factors	Dispersed power sources (modular design)	Thermally enhanced packages (WCSP, BGA)
Noise reduction Harmonic requirements	Active filter	PFC controller ICs
Safety standards	Isolation of control and power units	Photocouplers (reinforced insulation, reduced power consumption)
Load transient response	Improvement in high-frequency characteristics Parallel power sources Digital control	Improved output accuracy Wider input and output voltage ranges Digital controller ICs
Smart systems	Hot swap	MOSFETs with logic inputs ORing MOSFETs

## Technical Trend of Linear Power Supplies (LDO Regulators)

System Trend	Circuit Technology Trend	Requirements for Semiconductor Devices
Lower loss	Lower circuit voltage	Low dropout voltage
Output voltage regulation	Higher output voltage accuracy	Low output noise voltage Circuit with fast load transient response High ripple rejection ratio Automatic output discharge Overcurrent protection circuit
Smaller form factor Thinner form factor	Smaller system size Dispersed power sources	Development of a ultra-small package Small packages Packages with electrodes on the bottom

## Contents

<b>Switching Power Supplies</b> .....	4	Power Transistors for MOS Gate Drivers .....	14
AC-DC Flyback Power Supplies.....	4	Transistor-Output Photocouplers.....	14
AC-DC Forward Power Supplies.....	5	Schottky Barrier Diodes (SBDs) and High-Efficiency Diodes (HEDs)...	15
AC-DC Resonant Half-Bridge Power Supplies.....	6	Synchronous Rectification MOSFETs.....	16
Solar Inverters (Power Conditioning Subsystems (PCS)).....	7	<b>Devices for DC-DC Converter Applications</b> .....	17
DC-DC Converters .....	8	Single-Output Buck DC-DC Converter ICs .....	17
<b>Linear Power Supplies</b> .....	9	Multiple-Output DC-DC Converter ICs.....	18
<b>Power Supplies by Application</b> .....	10	Digital Step-Down DC-DC Converter ICs.....	18
Wireless Power Transfer.....	10	Rechargeable Lithium-Ion Battery Charger.....	19
Rechargeable Lithium-Ion Batteries.....	11	Low-Voltage MOSFETs for DC-DC Converter Applications.....	20
<b>Product Overview</b> .....	12	Bipolar Power Transistors for self-Excited DC-DC Converter Applications.....	20
<b>Devices for AC-DC Power Supply Applications</b> .....	12	<b>Other Devices for Power Supply Applications</b> .....	21
PFC Control ICs.....	12	Load Switch ICs .....	21
Power MOSFETs for PFC Control and Switching Applications.....	13	CMOS LDO Regulators .....	22
Switching Power Transistors.....	14		

# Switching Power Supplies

## AC-DC Flyback Power Supplies

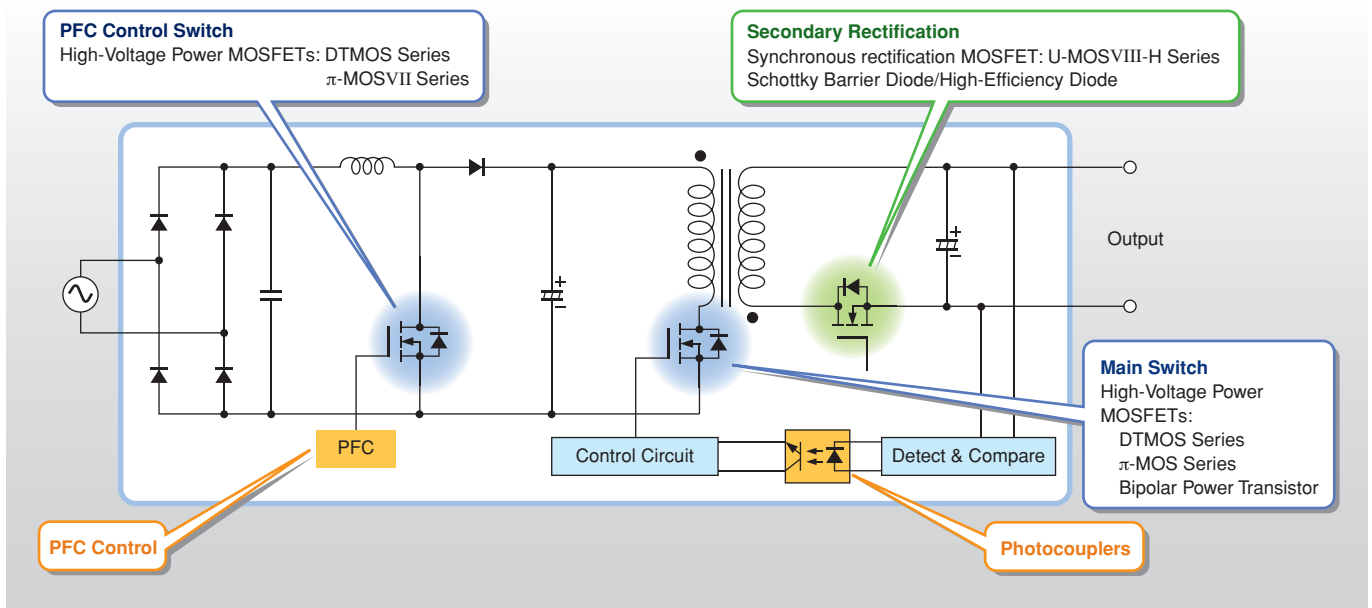
### Features

- AC-DC flyback power supplies have a very simple circuit configuration that consists of a minimal part count. They are suitable for low-power power supplies.

### Application Examples

- Notebook PCs
- Chargers for portable products
- LCD adaptors
- PC peripherals
- Power supplies
- Standby power supplies and small adaptors

### Circuit Example



### Recommended Parts

Output Power (W)		Up to 10	10 to 20	20 to 50	50 to 100	
PFC Control	PFC Controller ICs	TB6819AFG				
PFC Control Switch	High-Voltage Power MOSFETs	$V_{DSS} = 500\text{ V}$	TK3P50D, TK4A50D, TK4P50D	TK6A50D, TK7A50D, TK7P50D	TK8A50D, TK10A50D, TK11A50D	TK12A50D, TK13A50DA, TK13A50D
		$V_{DSS} = 600\text{ V}$	TK5Q60W**, TK5P60W**, TK5A60W**	TK6A60D, TK7P60W**, TK8A60W**	TK10A60D, TK6A60W**, TK7A60W**	TK10A60D, TK10A60W**, TK16A60W**
Main Switch	High-Voltage Power MOSFETs	$V_{DSS} = 600\text{ V}$	TK5Q60W**, TK5P60W**, TK5A60W**	TK6A60D, TK7P60W**, TK8A60W**	TK10A60D, TK6A60W**, TK7A60W**	TK10A60D, TK10A60W**, TK16A60W**
		$V_{DSS} = 650\text{ V}$	TK3A65DA, TK4A65DA, TK5A65DA	TK5A65D, TK6A65D, TK7A65D	TK7A65D, TK8A65D	TK11A65D, TK12A65D, TK13A65D
		$V_{DSS} = 900\text{ V}$	TK1Q90A, TK1P90A, 2SK3301	2SK3564, 2SK3798	2SK3565, 2SK4014	2SK3799
	Bipolar Power Transistor	100-Vac input	2SC5548A, TTC008			
		200-Vac input	2SC6142, TTC012			
Secondary Rectification	Schottky Barrier Diode/High-Efficiency Diode	Output: Up to 3 V ( $V_{RRM} = 30\text{ V}$ )	CUS10I30A, CRS10I30A, CRS10I30C	CRS20I30A, CRS20I30B, CMS20I30A	CRS30I30A, CMS30I30A	CLS01
		Output: Up to 5 V ( $V_{RRM} = 40\text{ V}$ )	CUS10I40A, CRS10I40A, CRS10I40B	CRS20I40A, CRS20I40B, CMS20I40A	CMS30I40A	CLS02
		Output: Up to 12 V ( $V_{RRM} = 60\text{ V}$ )	CUS04, CRS12, CRS13	CMS14	CLS03	
		Output: Up to 24 V ( $V_{RRM} = 200\text{ V}$ )	CRH01, CMH04, CMH07	CMH01, CLH01, CLH05		
		Output: Up to 48 V ( $V_{RRM} = 400\text{ V}$ )	CMH02, CMH05, CMH08	CLH03, CLH07		
	Synchronous Rectification MOSFET (Low-Voltage Power MOSFETs)	$V_{DSS} = 100\text{ V}$				TK40A10N1, TK65A10N1, TK40E10N1, TK65E10N1
	$V_{DSS} = 120\text{ V}$				TK56A12N1**, TK72A12N1**, TK56E12N1**, TK72E12N1**	
Output Error Feedback	Photocouplers	TLP185, TLP291, TLP785				

\*\* : Under development

## AC-DC Forward Power Supplies

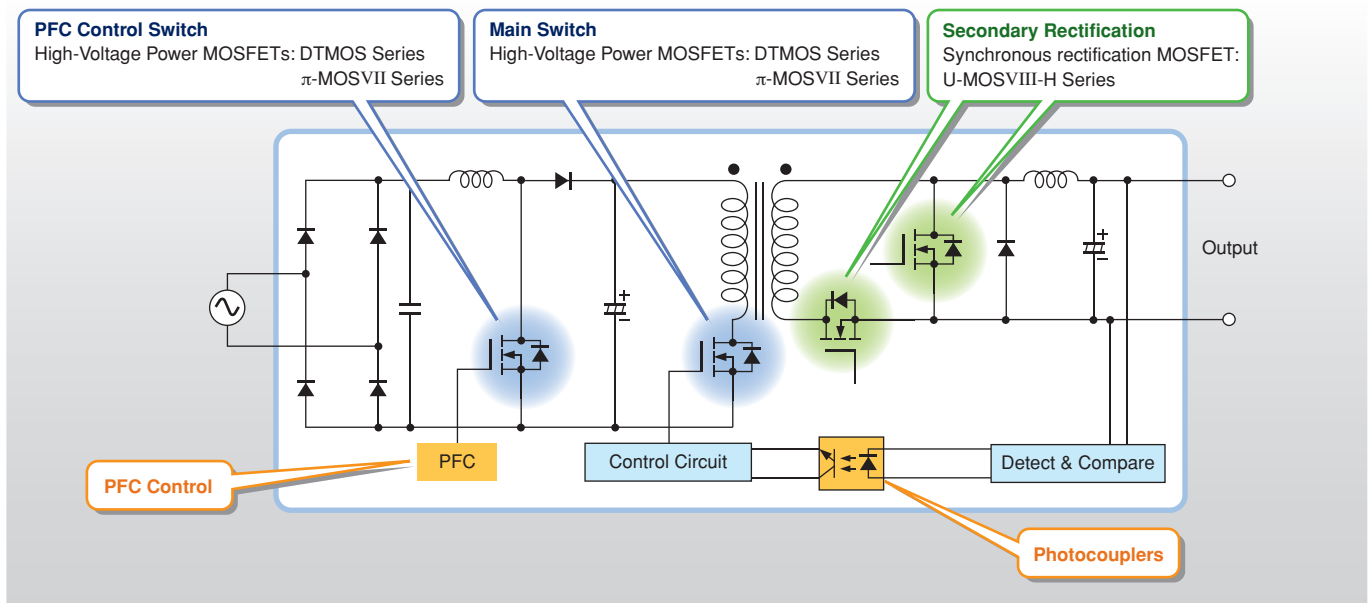
### Features

- AC-DC forward power supplies with a relatively simple circuit configuration are widely used for 100-W to 500-W power supply applications. Forward power supplies have less ripple since the capacitor is continuously charged. Compared to flyback power supplies, they exhibit a higher transformer efficiency and thus can provide up to 500 W.

### Application Examples

- Desktop PCs
- Power supplies for game consoles
- Multifunction printers
- Industrial power supplies

### Circuit Example



### Recommended Parts

Output Power (W)			Up to 100	100 to 150	150 to 200
PFC Control	PFC Controller ICs		TB6819AFG		
PFC Control Switch	High-Voltage Power MOSFETs	$V_{DSS} = 500\text{ V}$	TK12A50D, TK13A50DA, TK13A50D	TK13A50D, TK15A50D	TK15A50D, TK15J50D
		$V_{DSS} = 600\text{ V}$	TK10A60D, TK10A60W**, TK16A60W**	TK15A60D, TK16J60W**, TK31A60W**	TK16J60W**, TK31A60W**
Main Switch	High-Voltage Power MOSFETs	$V_{DSS} = 600\text{ V}$	TK10A60D, TK10A60W**, TK16A60W**	TK15A60D, TK16J60W**, TK31A60W**	TK16J60W**, TK31A60W**
		$V_{DSS} = 650\text{ V}$	TK11A65D, TK12A65D, TK13A65D	TK13A65U, TK13J65U	TK17A65U, TK17J65U
Secondary Rectification	Synchronous Rectification MOSFET (Low-Voltage Power MOSFETs)	$V_{DSS} = 60\text{ V}$	TK30A06N1, TK30E06N1	TK40A06N1, TK40E06N1	TK58A06N1, TK58E06N1
		$V_{DSS} = 80\text{ V}$	TK35A08N1, TK35E08N1	TK46A08N1, TK46E08N1	TK72A08N1, TK72E08N1
		$V_{DSS} = 100\text{ V}$	TK34A10N1, TK34E10N1	TK40A10N1, TK40E10N1	TK65A10N1, TK65E10N1
		$V_{DSS} = 120\text{ V}$	TK32A12N1**, TK32E12N1**	TK42A12N1**, TK42E12N1**	TK56A12N1**, TK56E12N1**
Output Error Feedback	Photocouplers		TLP185, TLP291, TLP785		

\*\* : Under development



# Switching Power Supplies

## AC-DC Resonant Half-Bridge Power Supplies

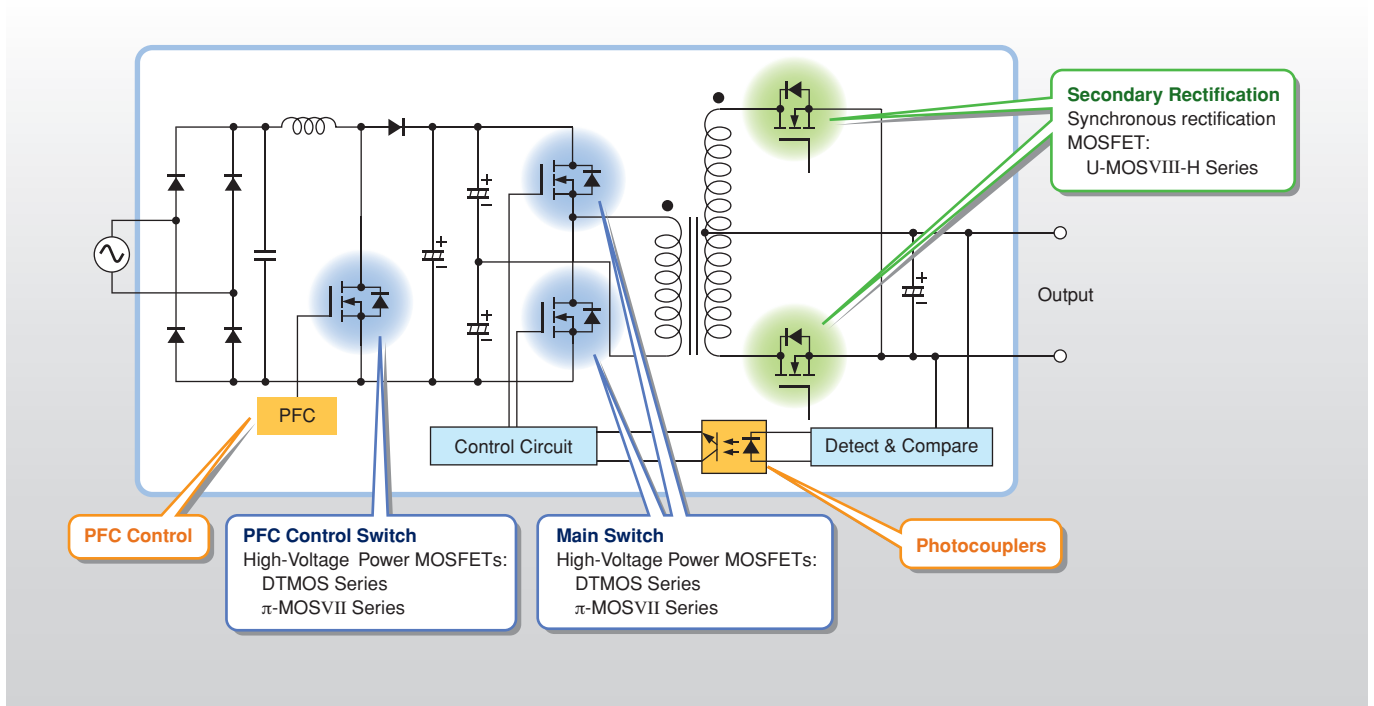
### Features

- Resonant half-bridge power supplies are suitable for relatively high-power power supply applications in the range of 150 W to 1 kW. The two transistors connected in series with the input supply voltage reduce the input voltage applied to the primary side of the transformer by half. This makes it possible to use Low-Voltage transistors.

### Application Examples

- Power supplies for FPD TVs
- Desktop PCs
- Servers

### Circuit Example



### Recommended Parts

Output Power (W)		Up to 100	100 to 200	200 to 400	400 to 800	
PFC Control	PFC Controller ICs	TB6819AFG		TB6818FG		
PFC Control Switch	High-Voltage Power MOSFETs	$V_{DSS} = 500\text{ V}$	TK12A50D, TK13A50DA, TK13A50D	TK15A50D, TK15J50D	TK20J50D	
		$V_{DSS} = 600\text{ V}$	TK10A60D, TK10A60W**, TK16A60W**	TK16J60W**, TK31A60W**	TK31J60W**, TK39J60W**	TK39J60W**, TK62J60W**
Main Switch	High-Voltage Power MOSFETs	$V_{DSS} = 500\text{ V}$	TK12A50D, TK13A50DA, TK13A50D	TK15A50D, TK15J50D	TK20J50D	
		$V_{DSS} = 600\text{ V}$	TK10A60D, TK10A60W**, TK16A60W**	TK16J60W**, TK31A60W**	TK31J60W**, TK39J60W**	TK39J60W**, TK62J60W**
Secondary Rectification	Synchronous Rectification MOSFET (Low-Voltage Power MOSFETs)	$V_{DSS} = 60\text{ V}$		TK40A06N1, TK40E06N1	TK58A06N1, TK58E06N1	TK100A06N1, TK100E06N1
		$V_{DSS} = 80\text{ V}$		TK46A08N1, TK46E08N1	TK72A08N1, TK72E08N1	TK100A08N1, TK100E08N1
		$V_{DSS} = 100\text{ V}$		TK40A10N1, TK40E10N1	TK65A10N1, TK65E10N1	TK100A10N1, TK100E10N1
		$V_{DSS} = 120\text{ V}$		TK42A12N1**, TK42E12N1**	TK56A12N1**, TK56E12N1**	TK72A12N1**, TK72E12N1**
Output Error Feedback	Photocouplers	TLP185, TLP291, TLP785				

\*\* : Under development

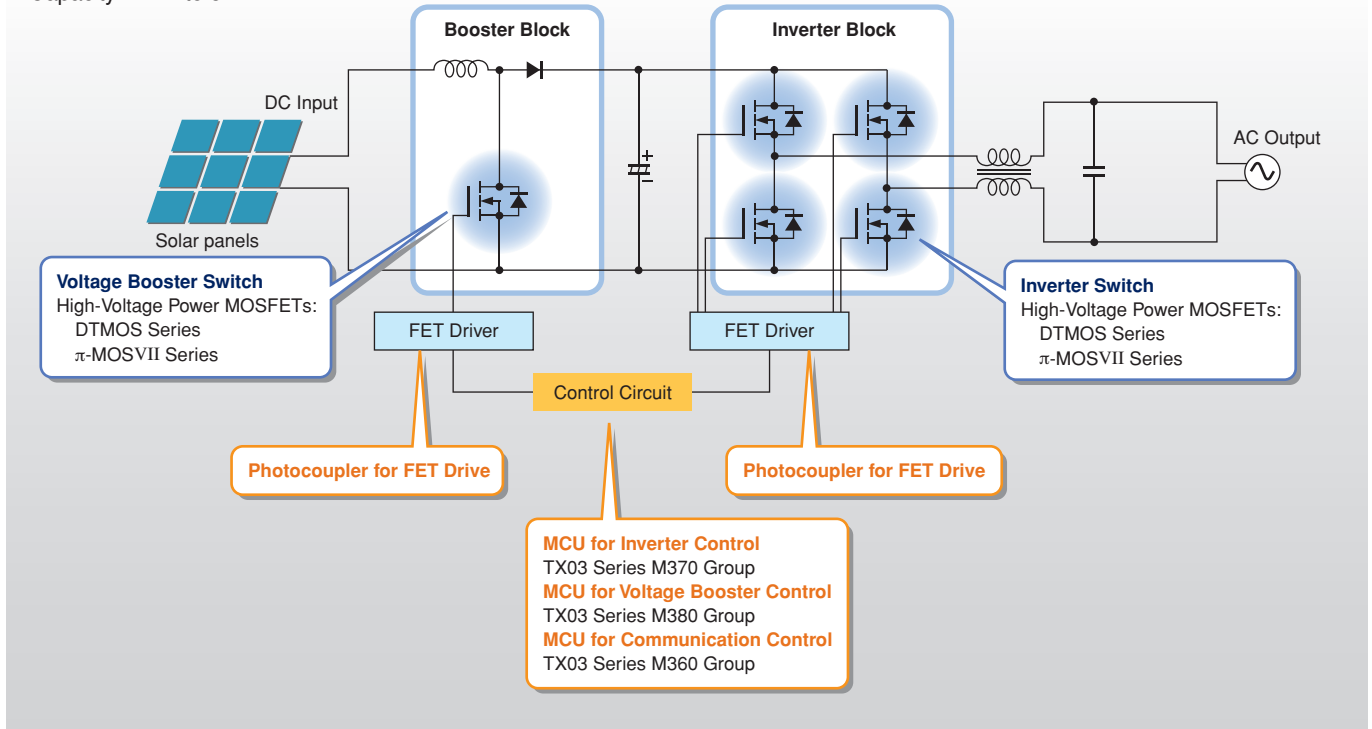
## Solar Inverters (Power Conditioning Subsystems (PCS))

### Features

- A solar inverter, also known as a power conditioning subsystems (PCS), is a device used to convert DC power generated by solar panels to AC power for use by home appliances. Since the voltage from solar panels varies with sunshine conditions, it is boosted to a constant level first. It is then converted to AC power by using an inverter and then applied to the grid.

### Circuit Example

Capacity: 1 kW to 5 kW



### Recommended Parts

		Output Power (kW)	Up to 1.5	1.5 to 3	3 to 4.5	4.5 to 6
Inverter Switch	High-Voltage Power MOSFETs	150-Vdc Input / 200-Vdc Input	<b>TK39J60W**</b> <b>TK62J60W**</b>			
	IGBT	100-Vac Input / 200-Vac Input	<b>GT30J341</b>			
Control Circuit	MCU for Inverter Control		<b>TMPM370FYDFG, TMPM370FYFG, TMPM372FWUG</b> <b>TMPM373FWDUG, TMPM374FWUG</b> <b>TMPM376FDDFG, TMPM376FDFG</b> <b>TMPM377FYDFG **, TMPM377FYFG **</b>			
	MCU for Voltage Booster Control		<b>TMPM380FWFG, TMPM380FWDFG, TMPM380FYFG, TMPM380FYDFG, TMPM380FDFG**</b>			
	MCU for Communication Control		<b>TMPM369FDFG**, TMPM369FDXBG**, TMPM369FYFG**, TMPM369FYXBG**</b>			
Voltage Booster Switch	High-Voltage Power MOSFETs	Up to 300-Vdc Output / Up to 700-Vdc Output	<b>TK39J60W**</b> <b>TK62J60W**</b>			
	IGBTs	Up to 300-Vdc Output	<b>GT30J341, GT50JR22**</b>			
FET Drivers	Photocopiers	0.6 to 6.0-A Peak Output	<b>TLP701H, TLP351H, TLP155E</b>	<b>TLP701H, TLP351H, TLP155E</b>	<b>TLP700H, TLP352</b>	<b>TLP358H</b>

\*\* : Under development

# Switching Power Supplies

## DC-DC Converters

### DC-DC Converters (Non-Isolated)

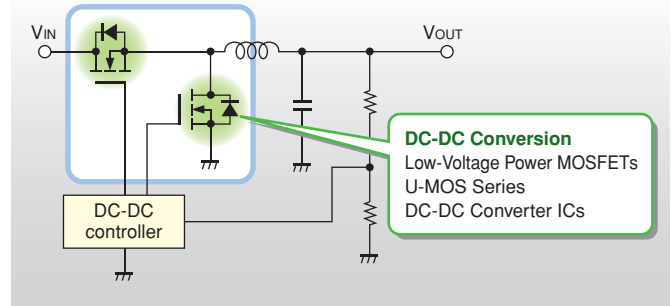
#### Features

A DC-DC converter converts a direct current from one voltage level to another. While non-isolated DC-DC converters are primarily used for conversion in the 1-W to 30-W range, up to 100 W can be handled by adding a single MOSFET. Many DC-DC converters are deployed in cell phones and mobile devices that are becoming increasingly small, light and feature-rich.

#### Application Examples

- On-board DC-DC converters
- Power supplies for CPUs
- Regulator circuits
- Cell phones

#### Circuit Example



#### Recommended Parts

Output Power (W)			Up to 10	10 to 30	30 to 50	50 to 100
DC-DC Conversion	Low-Voltage Power MOSFETs	$V_{DSS} = 30\text{ V}$	TPCC8067-H, TPCC8068-H, TPCC8065-H	TPCA8065-H, TPCA8064-H, TPCA8059-H, TPCA8057-H	TPCA8064-H, TPCA8058-H, TPCA8057-H, TPCA8056-H	TPCA8064-H, TPCA8056-H, TPCA8055-H
		$V_{IN} = 5\text{ V}$		TCV7104FN, TCV7108FN*, TCV7116FN*, TCV7117F*	TCV7102AF*	TCV7103AF*, TCV7113F*
DC-DC Conversion	DC-DC Converter ICs	$V_{IN} = 12\text{ V}$	TB7109F*	TB7110F*, TB7106F, TB7107FN		

\*: New products

### DC-DC Converters (Isolated)

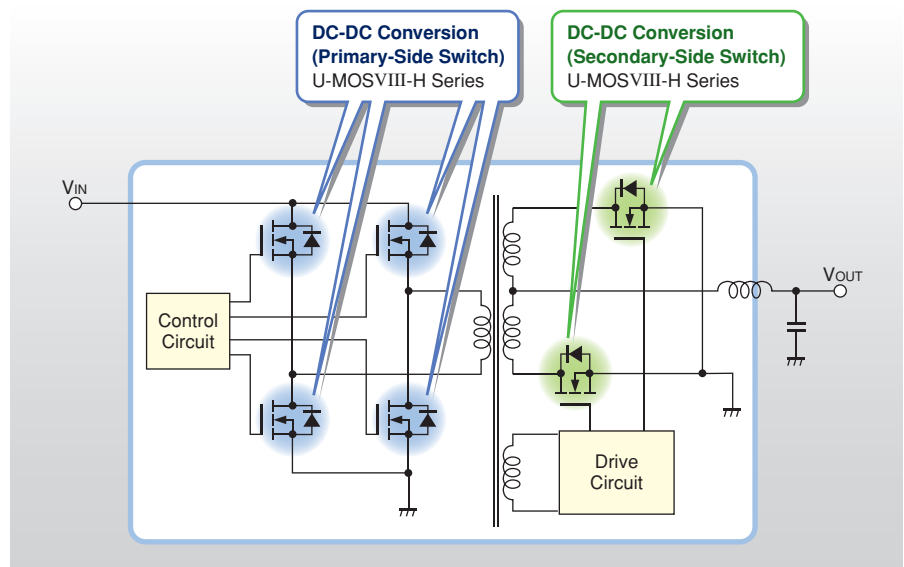
#### Features

Isolated DC-DC converters are widely used for applications in which there is a large difference in voltage between the primary and secondary sides of a transformer. Isolated forward converters and isolated full-bridge converters can handle up to 800 W. Most PC power supplies use an isolated DC-DC converter.

#### Application Examples

- On-board DC-DC converters
- Notebook PCs
- Power supplies for CPUs
- Regulator circuits
- Communications equipment

#### Circuit Example (Full-Bridge)



#### Recommended Parts

Output Power (W)			Up to 100 Forward	Up to 200 Resonant Half-Bridge	Up to 400 Full-Bridge	Up to 800 Full-Bridge
DC-DC Conversion (Primary-Side Switch)	Low-Voltage Power MOSFETs	$V_{DSS} = 60\text{ V}$		TPH7R506NH, TPN7R506NH**, TPH5R906NH, TPH4R606NH	TPN22006NH**, TPH14006NH, TPN14006NH**	TPH7R506NH, TPH5R906NH, TPH4R606NH
		$V_{DSS} = 80\text{ V}$		TPH8R008NH**	TPN30008NH**, TPN13008NH**, TPH12008NH**	TPH8R008NH**
		$V_{DSS} = 100\text{ V}$		TPH8R80ANH**	TPN3300ANH**, TPN1600ANH**, TPH1400ANH**	TPH8R80ANH**
		$V_{DSS} = 150\text{ V}$		TPHxxx0CNH**		
		$V_{DSS} = 200\text{ V}$		TPHxxx0ENH**		
DC-DC Conversion (Secondary-Side Switch)	Low-Voltage Power MOSFETs	$V_{DSS} = 60\text{ V}$	TPN22006NH**, TPH14006NH, TPN14006NH**	TPH14006NH, TPH7R506NH, TPN7R506NH**	TPN22006NH**, TPH14006NH, TPN14006NH**	TPH7R506NH, TPH5R906NH, TPH4R606NH
		$V_{DSS} = 80\text{ V}$	TPN30008NH**, TPN13008NH**, TPH12008NH**	TPN13008NH**, TPH12008NH**, TPH8R008NH**	TPN30008NH**, TPN13008NH**, TPH12008NH**	TPH8R008NH**
		$V_{DSS} = 100\text{ V}$	TPN3300ANH**, TPN1600ANH**, TPH1400ANH**	TPH1400ANH**, TPH8R80ANH**	TPN3300ANH**, TPN1600ANH**, TPH1400ANH**	TPH8R80ANH**

\*\* : Under development



# Linear Power Supplies

## Linear Power Supplies

### Features

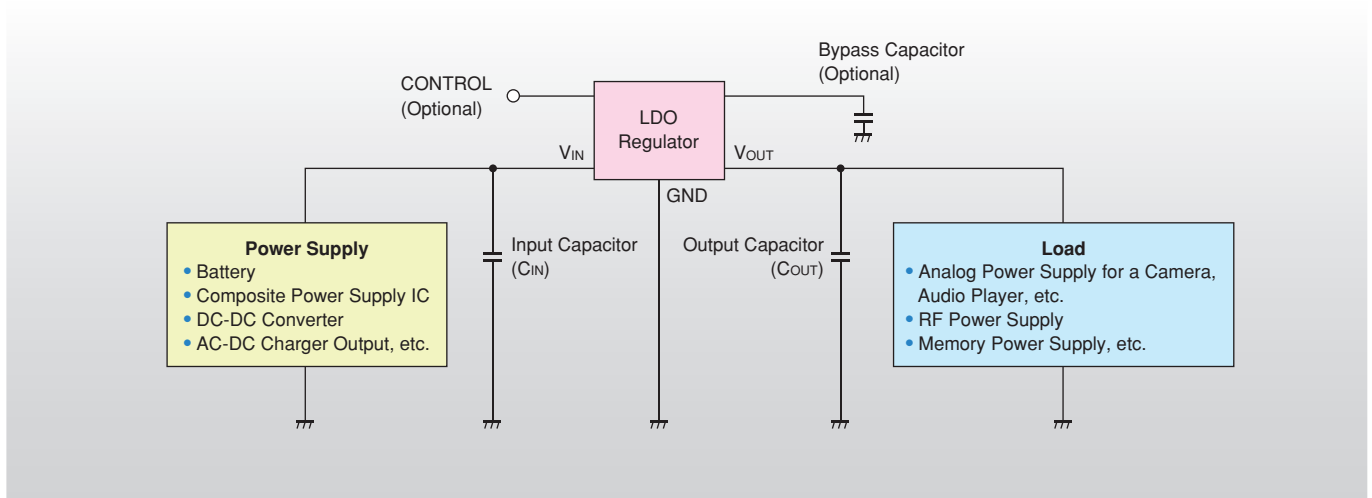
Linear power supplies are available in a wide range of packages from general-purpose SMV (SOT-25) to an ultra-small package with the industry's smallest form factor measuring  $0.8 \times 0.8$  mm. Those in the SDFN4 and WCSP4 packages, which are most widely used for small portable applications, are offered with various current/voltage ratings and additional features.

### Application Examples

Small portable devices

- Cell phones
- Portable audio
- Notebook PCs
- Digital still and video cameras

### Circuit Example



### Recommended Parts

Power Supply	Regulator Type	Series	Output	I <sub>OUT</sub> (mA)	V <sub>OUT</sub> (V)	Automatic Output Discharge	Package
Linear Power Supplies	LDO Regulators	TCR2ENxx*	Single	200	1.0 to 3.6	○	SDFN4
		TCR4SxxWBG			1.5 to 3.6	WCSP4	
		TCR4SxxDWBG			1.2 to 3.6		○
		TCR2DGxx**			1.2 to 3.6		
		TCR5SCxxFE		150	1.8 to 3.6		ESV
		TCR2BExx		200	1.0 to 3.6	○	
		TCR2EExx**			1.0 to 3.6	○	
		TAR5SxxU		150	1.5 to 5.0		UFV
		TCR5SBxxU			1.5 to 5.0		
		TCR5SBxxA		200	1.8 to 5.0		SMV
		TAR5Sxx, TAR5SBxx			1.5 to 5.0		
		TCR5SBxx			1.5 to 5.0		
		TCR2BFxx	1.0 to 5.0		○		
		TCR2EFxx**	Dual	1.0 to 3.6	○	UF6	
		TCR6DAxxxxU		1.5 to 3.6			
		TCR6DAxxxx		1.5 to 3.6		SM6	

\*\*: New products \*\*\*: Under development

### Package

Single-Output					Dual-Output	
SMV SOT-25 (2.8 x 2.9)	UFV (2.0 x 2.1)	ESV SOT-553 (1.6 x 1.6)	WCSP4 (0.79 x 0.79)	SDFN4 (0.8 x 0.8)	SM6 SOT-26 (2.8 x 2.9)	UF6 (2.0 x 2.1)

# Power Supplies by Application

## Wireless Power Transfer

Toshiba is developing LSI for Wireless Power Charger (WPC Conformity).

### Features

- Features of the TB6865FG (Under development; samples to be available in July, 2012)
  - Cost- and space-saving single-package solution (MCU + analog)
  - Simultaneous charging of up to two devices
  - Position-free (2-coil control architecture)
- Features of the TB6860WBG (Under development; samples to be available in August, 2012)
  - High-current output due to the use of a switching DC-DC converter (maximum output: 950 mA)
  - Various charge control sequences (Programmable via an I<sup>2</sup>C bus)
  - Fail-safe detection for input voltage, output current and die temperature

### Application Examples

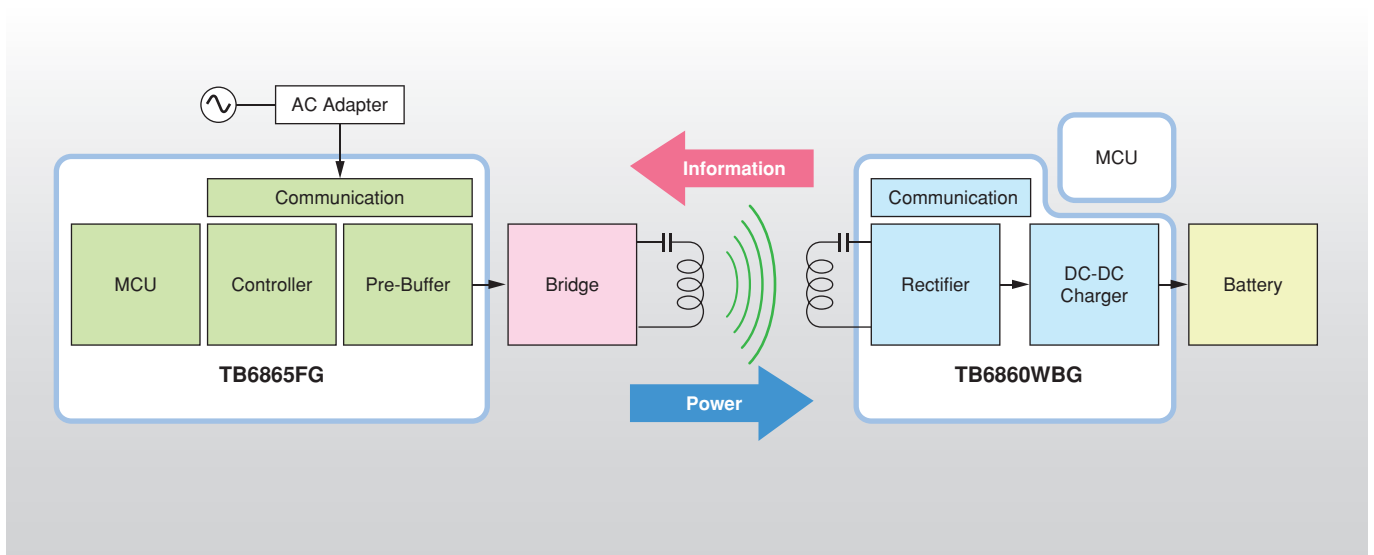
- Smartphones, digital still cameras, other portable devices



Power-Receiving Jacket (for Smartphones)

Transmitter Pad

### System Block Diagram



### Recommended Parts

#### Wireless Power Transfer ICs

Part Number	Applications	Features	Operating Input Voltage (V)	Output Current Max(A)	Switching Frequency (MHz)	Package
<b>TB6860WBG**</b>	Receiver IC	Sync. rectifier, DC-DC converter, LDO regulator for MCU (3.3 V)	3.4 to 15.0	1.2	3.0	WCSP39
<b>TB6865FG**</b>	Transmitter IC	MCU, pre-buffer, simultaneous charging of two devices	Analog (Pre Driver) 4.5 to 15.0 Digital 2.7 to 3.6	—	—	LQFP100

\*\* : Under development

#### Low-Voltage Power MOSFETs for Bridge Applications

Part Number	Applications	Polarity	V <sub>DSS</sub> (V)	V <sub>GSS</sub> (V)	I <sub>D</sub> (A)	R <sub>DS(ON)</sub> Max(mΩ)	Package
<b>SSM6K504NU*</b>	MOSFET for bridge applications	N-ch	30	±20	9	26	UDFN6
<b>SSM6N55NU*</b>	MOSFET for bridge applications	N-ch x 2	30	±20	4	64	UDFN6
<b>SSM6P49NU*</b>	MOSFET for bridge applications	P-ch x 2	30	±12	-4	56	UDFN6

\* : New products

## Rechargeable Lithium-Ion Batteries

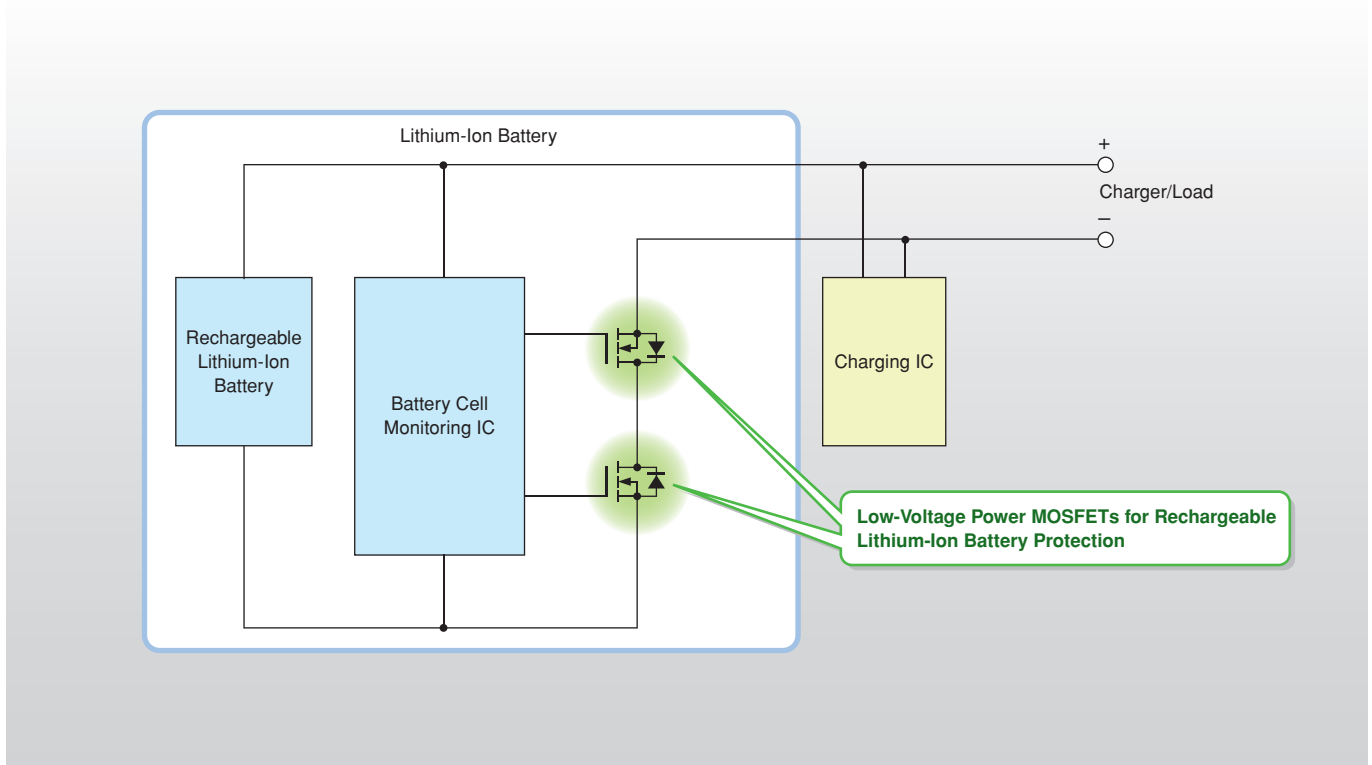
### Features

Shown below is a design technique for protecting a rechargeable lithium-ion battery from overcharge, overdischarge and overcurrent.

### Application Examples

- Notebook PCs
- Portable devices

### Circuit Example



### Recommended Parts

Number of Series Cells	Applications	Type	Part Number	Package
1-cell	Smartphones, cell phones	Low-Voltage Power MOSFETs (Chip LGA Series)	<b>TPCL4201</b> <b>TPCL4202</b> <b>TPCL4203</b>	Chip LGA
		Charging IC	<b>TC7710WBG**</b>	WCSP25
1- to 2-cell	Tablet PCs	Low-Voltage Power MOSFETs (U-MOSVII Series)	<b>TPCP8206</b> <b>TPCC8093</b>	PS-8 TSON Advance
3- to 4-cell	Notebook PCs	Low-Voltage Power MOSFETs (U-MOSVIII Series)	<b>TPN2R503NC**</b> <b>TPN4R203NC**</b>	TSON Advance
5-cell or greater	Bicycles, UPS, etc.	Low-Voltage Power MOSFETs (U-MOSVIII Series)	<b>TK100G06N1**</b> <b>TK100G08N1**</b> <b>TK100G10N1**</b>	TO-220SM

\*\* : Under development



# Product Overview: Devices for AC-DC Power Supply Applications

## PFC Control ICs

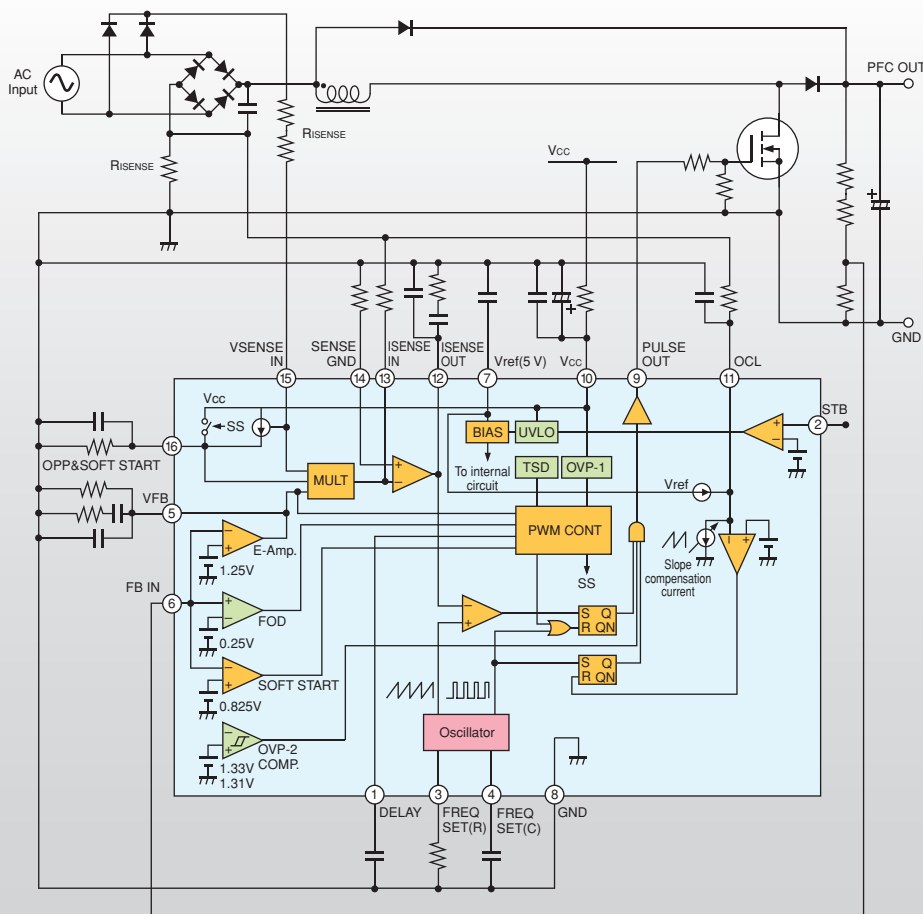
Toshiba has been developing power factor correction (PFC) controllers for reducing power factor degradation (or an increase in reactive power) and noise on AC mains due to harmonics current.

### TB6818FG

#### ● Features

- Operating voltage range: 8.4 V (min) to 26 V (max)
- Startup voltage: 10.0 V (typ.)
- Pulse output mute function (starting)
- Avoiding PFC transformer noise
- Maximum drive current: 1.0 A (typ.)
- Consumption current: 250  $\mu$ A (typ.)(Standby mode)
- AC instantaneously-stop detection
- Built-in protection circuits
  - DC input overvoltage protection (OVP-1)
  - PFC output overvoltage protection (OVP-2)
  - Undervoltage lockout (UVLO)
  - Feedback-loop open detection (FOD)
  - Thermal shutdown (TSD)

#### ● Block Diagram



#### ● Product Lineup

Part Number	Conduction	Supply Voltage (V)	Package	Status
TB6818FG	CCM	8.4 to 26	SSOP16	Available
TB6819AFG	CRM	9.5 to 25	SOP8	Available

# Power MOSFETs for PFC Control and Switching Applications

## $\pi$ -MOSVII Series

The latest addition to the  $\pi$ -MOS portfolio, the  $\pi$ -MOSVII Series offers reduced capacitances due to optimized chip design and is available with a greatly wider range of electrical characteristics.

### Features

- 40% reduction in  $Q_g$  from  $\pi$ -MOSVI due to optimized chip design
- Available in 50-V steps of  $V_{DS}$  and in finer steps of  $R_{DS(ON)}$ .
- Rated avalanche and reverse recovery current capabilities

### Product Lineup

Part Number	Absolute Maximum Ratings		$R_{DS(ON)}$ Max( $\Omega$ ) $V_{GS} = 10\text{ V}$	Qg Typ. (nC)	Package
	$V_{DS}$ (V)	$I_D$ (A)			
TK5A45DA	450	4.5	1.75	9	TO-220SIS
TK6A45DA		5.5	1.35	11	TO-220SIS
TK7A45DA		6.5	1.2	11	TO-220SIS
TK8A45DA		7.5	1.1	12	TO-220SIS
TK8A45D		8	0.9	14	TO-220SIS
TK9A45D		9	0.77	16	TO-220SIS
TK11A45D		11	0.62	20	TO-220SIS
TK12A45D		12	0.52	24	TO-220SIS
TK13A45D		13	0.46	25	TO-220SIS
TK14A45DA		13.5	0.41	28	TO-220SIS
TK14A45D		14	0.34	38	TO-220SIS
TK16A45D		16	0.27	40	TO-220SIS
TK19A45D		19	0.25	50	TO-220SIS
TK3P50D		500	3	3	7
TK4A50D	4		2	9	TO-220SIS
TK4P50D	4		2	9	DPAK
TK5A50D	5		1.5	11	TO-220SIS
TK5P50D	5		1.5	11	DPAK
TK6A50D	6		1.4	11	TO-220SIS
TK7A50D	7		1.22	12	TO-220SIS
TK7P50D	7		1.22	12	DPAK
TK8A50DA	7.5		1.04	16	TO-220SIS
TK8A50D	8		0.85	16	TO-220SIS
TK10A50D	10		0.72	20	TO-220SIS
TK11A50D	11		0.6	38	TO-220SIS
TK12A50D	12		0.52	25	TO-220SIS
TK13A50DA	12.5		0.47	28	TO-220SIS
TK13A50D	13		0.4	38	TO-220SIS
TK15A50D	15		0.3	40	TO-220SIS
TK15J50D	15		0.4	38	TO-3P(N)
TK18A50D	18		0.27	45	TO-220SIS
TK20J50D	20		0.27	45	TO-3P(N)

Part Number	Absolute Maximum Ratings		$R_{DS(ON)}$ Max( $\Omega$ ) $V_{GS} = 10\text{ V}$	Qg Typ. (nC)	Package
	$V_{DS}$ (V)	$I_D$ (A)			
TK2P60D	600	2	4.3	7	New PW-Mold
TK2Q60D		2	4.3	7	New PW-Mold2
TK3A60DA		2.5	2.8	9	TO-220SIS
TK4A60DA		3.5	2.2	11	TO-220SIS
TK4P60DA		3.5	2.2	11	DPAK
TK4A60DB		3.7	2.2	11	TO-220SIS
TK4P60DB		3.7	2	11	DPAK
TK4A60D		4	1.7	12	TO-220SIS
TK5A60D		5	1.43	16	TO-220SIS
TK6A60D		6	1.25	16	TO-220SIS
TK8A60DA		7.5	1	20	TO-220SIS
TK9A60D		9	0.83	24	TO-220SIS
TK10A60D		10	0.75	25	TO-220SIS
TK11A60D		11	0.65	28	TO-220SIS
TK12A60D	12	0.55	38	TO-220SIS	
TK13A60D	13	0.43	40	TO-220SIS	
TK15A60D	15	0.37	45	TO-220SIS	
TK2A65D	650	2	3.26	9	TO-220SIS
TK3A65DA		2.5	2.51	11	TO-220SIS
TK3A65D		3	2.25	11	TO-220SIS
TK4A65DA		3.5	1.9	12	TO-220SIS
TK5A65DA		4.5	1.67	16	TO-220SIS
TK5A65D		5	1.5	16	TO-220SIS
TK6A65D		6	1.11	20	TO-220SIS
TK7A65D		7	0.98	24	TO-220SIS
TK8A65D		8	0.84	25	TO-220SIS
TK11A65D		11	0.7	30	TO-220SIS
TK12A65D		12	0.54	40	TO-220SIS
TK13A65D		13	0.47	45	TO-220SIS

## DTMOSIV Series (Under development)

The DTMOS devices employ a super-junction structure that enables an ultra-low on-resistance with the maximum  $V_{DS}$  rating of 600 V.

### Features

#### Reduced $R_{DS(ON)}$ due to the Use of Super-Junction Technology

Compared to the  $\pi$ -MOS Series, the DTMOS Series is characterized by the use of a super-junction structure to greatly reduce  $R_{DS(ON)}$ . Additionally, the latest DTMOSIV provides an approximately 40% reduction in  $R_{DS(ON)}$  over DTMOSI, making it possible to house a MOSFET with  $R_{DS(ON)}$  of less than 100 m $\Omega$  in the TO-220SIS package. This leads to increases in power efficiency and power density.

### Product Lineup

Part Number	Absolute Maximum Ratings		$R_{DS(ON)}$ Max( $\Omega$ ) $V_{GS} = 10\text{ V}$	Qg Typ. (nC)	Package
	$V_{DS}$ (V)	$I_D$ (A)			
TK5A60W	600	5.4	0.9	8.5	TO-220SIS
TK5P60W		5.4	0.9	8.5	DPAK
TK5Q60W		5.4	0.9	8.5	IPAK
TK6A60W		6.2	0.75	12	TO-220SIS
TK6P60W		6.2	0.75	12	DPAK
TK6Q60W		6.2	0.75	12	IPAK
TK7A60W		7	0.6	13	TO-220SIS
TK7P60W		7	0.6	13	DPAK
TK7Q60W		7	0.6	13	IPAK
TK8A60W		8	0.5	16	TO-220SIS
TK8P60W		8	0.5	16	DPAK
TK8Q60W		8	0.5	16	IPAK
TK10A60W		9.7	0.38	20	TO-220SIS
TK10P60W		9.7	0.38	20	DPAK
TK10Q60W	9.7	0.38	20	IPAK	
TK10E60W	9.7	0.38	20	TO-220	

Part Number	Absolute Maximum Ratings		$R_{DS(ON)}$ Max( $\Omega$ ) $V_{GS} = 10\text{ V}$	Qg Typ. (nC)	Package
	$V_{DS}$ (V)	$I_D$ (A)			
TK12A60W	600	11.5	0.3	25	TO-220SIS
TK12P60W		11.5	0.3	25	DPAK
TK12Q60W		11.5	0.3	25	IPAK
TK12E60W		11.5	0.3	25	TO-220
TK12J60W		11.5	0.3	25	TO-3P(N)
TK16A60W		15.8	0.19	38	TO-220SIS
TK16E60W		15.8	0.19	38	TO-220
TK16J60W		15.8	0.19	38	TO-3P(N)
TK31A60W		30.8	0.088	87	TO-220SIS
TK31E60W		30.8	0.088	87	TO-220
TK31J60W		30.8	0.088	87	TO-3P(N)
TK39A60W		38.8	0.065	110	TO-220SIS
TK39J60W		38.8	0.065	110	TO-3P(N)
TK62J60W		61.8	0.04	178	TO-3P(N)

# Product Overview: Devices for AC-DC Power Supply Applications

## Switching Power Transistors

### Product Lineup

Package	Part Number	Absolute Maximum Ratings			DC Characteristics						Switching Characteristics		
		V <sub>CEO</sub> (V)	V <sub>CE0</sub> (V)	I <sub>C</sub> (A)	hFE Min		V <sub>CE(sat)</sub> Max			tr Max	t <sub>stg</sub> Max	tr Max	
					V <sub>CE</sub> (V)	I <sub>C</sub> (A)	(V)	I <sub>C</sub> (A)	I <sub>B</sub> (A)				
PW-Mold	2SC5548A	600	400	2	40	5	0.2	1.0	0.8	0.1	0.5	3.0	0.3
	TTC008	600	285	1.5	100	5	0.3	1.0	0.5	0.0625	0.05(typ.)	3.3(typ.)	0.1(typ.)
	2SC6142	800	375	1.5	100	5	0.1	0.9	0.8	0.1	0.2(typ.)	3.5(typ.)	0.15(typ.)
	TTC012	800	375	2	100	5	0.3	0.5	0.5	0.0625	0.1(typ.)	4.4(typ.)	0.15(typ.)

## Power Transistors for MOS Gate Drivers (for High-Speed Gate Drive of MOS Devices)

### Product Lineup (2-in-1 Series)

Package	Part Number	Polarity	Absolute Maximum Ratings				hFE				V <sub>CE(sat)</sub> Max		
			V <sub>CEO</sub> (V)	I <sub>C</sub> (A)	I <sub>CP</sub> (A)	P <sub>C</sub> (mW)	hFE		V <sub>CE</sub> (V)	I <sub>C</sub> (A)	V <sub>CE(sat)</sub> (V)	I <sub>C</sub> (A)	I <sub>B</sub> (mA)
							Min	Max					
SMV	HN4B101J	PNP	-30	-1.0	-5	550	200	500	-2	-0.12	-0.2	-0.4	-13
		NPN	30	1.2	5	550	200	500	2	0.12	0.17	0.4	13
	HN4B102J	PNP	-30	-1.8	-8	750	200	500	-2	-0.2	-0.2	-0.6	-20
		NPN	30	2	8	750	200	500	2	0.2	0.14	0.6	20
VS-6	TPC6901A	PNP	-50	-0.7	-5	400	200	500	-2	-0.1	-0.23	-0.3	-10
		NPN	50	1	5	400	400	1000	2	0.1	0.17	0.3	6
	TPC6902	PNP	-30	-1.7	-8	700	200	500	-2	-0.2	-0.2	-0.6	-20
		NPN	30	2	8	700	200	500	2	0.2	0.14	0.6	20
PS-8	TPCP8901	PNP	-50	-0.8	-5	830	200	500	-2	-0.1	-0.2	-0.3	-10
		NPN	50	1	5	830	400	1000	2	0.1	0.17	0.3	6
	TPCP8902	PNP	-30	-2	-8	890	200	500	-2	-0.2	-0.2	-0.6	-20
		NPN	30	2	8	890	200	500	2	0.2	0.14	0.6	20

## Transistor-Output Photocouplers

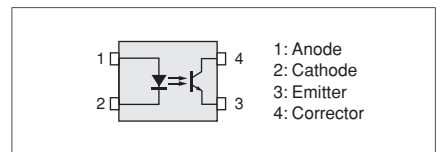
### TLP185/TLP291

The TLP185 and TLP291 are new additions to Toshiba's transistor-output photocoupler offerings in a small, thin package that is compliant with the reinforced insulation class of international safety standards.

The TLP185 and TLP291 have achieved certification for a safety level higher than the previous devices by providing a creepage/clearance distance of more than 5 mm; insulation thickness of more than 0.4 mm; and thus the isolation voltage of more than 3750 Vrms.



### Pin Configuration



- VDE-approved: EN60747-5-5-approved with option V4  
Maximum working insulation voltage: 707 Vpk  
Maximum transient overvoltage: 6000 Vpk
- UL-recognized: UL1577 (File No. E67349)
- BSI approved
- Creepage/clearance: 5.0 mm (min)
- Insulation thickness: 0.4 mm (min)
- Operating temperature: Ta = -55°C to 110°C

### Product Lineup

(Photocouplers with transistor output providing isolated feedback from the secondary side to the primary side)

Part Number	Package	Absolute Maximum Ratings (Ta=25°C)				Safety Standards			
		IF (mA)	V <sub>CEO</sub> (V)	I <sub>C</sub> (mA)	Isolation voltage (Vrms)	UL cUL	VDE EN60747-5-5*	BSI EN60950 EN60065	SEMKO EN60950 EN60065
TLP185	SO6 (4pin)	50	80	50	3750	○	○	○	○
TLP291	SO4	50	80	50	3750	○	○	○	○
TLP785	DIP4	50	80	50	5000	○	○**	○	○

\*The EN60747-5-5 approvals vary with packages. For details, please contact our sales representative.  
\*\*TLP785 acquired EN60747-5-2 approval.



# Schottky Barrier Diodes (SBDs) and High-Efficiency Diodes (HEDs)

## Product Lineup

### Schottky Barrier Diodes (SBDs)

Package	Part Number	Absolute Maximum Ratings					Electrical Characteristics (Max)					Conditions
		V <sub>RRM</sub> (V)	I <sub>F(AV)</sub> (A)	I <sub>FSM</sub> (A)	T <sub>J</sub> (°C)	T <sub>stg</sub> (°C)	I <sub>RRM</sub> (mA)	V <sub>FM</sub> (V)	@I <sub>FM</sub> (A)	C <sub>J</sub> (pF)(Typ.)		
US-FLAT™	CUS05	20	1.0	20	125	-40 to 150	1.0	0.37	0.7	40	V <sub>R</sub> = 10 V, f = 1 MHz	
	CUS06			20	150	-40 to 150	0.03	0.45	0.7	40		
	CUS01			20	125	-40 to 150	1.5	0.37	0.7	40		
	CUS02	30		20	150	-40 to 150	0.1	0.45	0.7	40		
	CUS10I30A			20	150	-55 to 150	0.06	0.39	0.7	50		
	CUS15I30A			20	150	-55 to 150	0.06	0.46	1.5	50		
	CUS03	40		0.7	20	150	-40 to 150	0.1	0.52	0.7		45
	CUS10I40A			1.0	20	150	-55 to 150	0.06	0.49	0.7		35
	CUS04	60		0.7	20	150	-40 to 150	0.1	0.58	0.7		38
S-FLAT™	CRS06	20	1.0	20	125	-40 to 150	1	0.36	1.0	60	V <sub>R</sub> = 10 V, f = 1 MHz	
	CRS01			20	125	-40 to 150	1.5	0.37	0.7	40		
	CRS03			20	150	-40 to 150	0.1	0.45	0.7	40		
	CRS05	30		20	150	-40 to 150	▽	0.45	1.0	60		
	CRS11			20	125	-40 to 150	1.5	0.36	1.0	60		
	CRS10I30A			20	150	-55 to 150	0.06	0.39	0.7	50		
	CRS10I30B	30		20	150	-55 to 150	0.06	0.42	1.0	50		
	CRS10I30C			30	150	-55 to 150	0.10	0.36	1.0	82		
	CRS08			30	125	-40 to 150	1	0.36	1.5	90		
	CRS09	30	1.5	30	150	-40 to 150	0.05	0.46	1.5	90		
	CRS15I30A		20	150	-55 to 150	0.06	0.46	1.5	50			
	CRS15I30B		30	150	-55 to 150	0.10	0.40	1.5	82			
	CRS14	30	2.0	30	150	-40 to 150	0.05	0.49	2	90		
	CRS20I30A		20	150	-55 to 150	0.06	0.49	2.0	50			
	CRS20I30B		30	150	-55 to 150	0.10	0.45	2.0	82			
	CRS15 ◇	30	3.0	30	150	-40 to 150	0.05	0.52	3.0	90		
	CRS30I30A		30	150	-55 to 150	0.10	0.49	3.0	82			
	CRS04		20	150	-40 to 150	0.1	0.49	0.7	47			
	CRS10I40A	40	1.0	20	150	-55 to 150	0.06	0.49	0.7	35		
	CRS10I40B			25	150	-55 to 150	0.10	0.45	1.0	62		
	CRS15I40A			20	150	-55 to 150	0.06	0.55	1.5	35		
	CRS20I40A	40	1.0	20	150	-55 to 150	0.06	0.60	2.0	35		
	CRS20I40B			25	150	-55 to 150	0.10	0.52	2.0	62		
	CRS12			20	150	-40 to 150	0.1	0.58	1.0	40		
	CRS13	60	1.0	20	150	-40 to 150	0.05	0.55	1.0	40		
	CMS08			25	125	-40 to 150	1.5	0.37	1.0	70		
	CMS09			25	150	-40 to 150	0.5	0.45	1.0	70		
CMS10I30A	30	1.0	30	125	-55 to 150	0.10	0.36	1.0	82			
CMS06			40	125	-40 to 150	3.0	0.37	2.0	130			
CMS07			40	150	-40 to 150	0.5	0.45	2.0	130			
CMS17	30	2.0	30	150	-40 to 150	0.1	0.48	2.0	90			
CMS20I30A			30	150	-55 to 150	0.10	0.45	2.0	82			
CMS01			40	125	-40 to 150	5.0	0.37	3.0	190			
CMS03	30	3.0	40	150	-40 to 150	0.5	0.45	3.0	190			
CMS30I30A			30	150	-55 to 150	0.10	0.49	3.0	82			
CMS04			70	125	-40 to 150	8.0	0.37	5.0	330			
CMS05	30	5.0	70	150	-40 to 150	0.8	0.45	5.0	330			
CMS10			25	150	-40 to 150	0.5	0.55	1.0	50			
CMS10I40A			25	150	-55 to 150	0.10	0.45	1.0	62			
CMS15I40A	40	1.0	25	150	-55 to 150	0.10	0.49	1.5	62			
CMS11			30	150	-40 to 150	0.5	0.55	2.0	95			
CMS20I40A			25	150	-55 to 150	0.10	0.52	2.0	62			
CMS16	40	2.0	30	150	-40 to 150	0.2	0.55	3.0	95			
CMS30I40A			25	150	-55 to 150	0.10	0.55	3.0	62			
CMS14			40	150	-40 to 150	0.2	0.58	2.0	77			
CMS15	60	3.0	60	150	-40 to 150	0.3	0.58	3.0	102			
CLS01			10	100	125	-40 to 150	1.0	0.47	10	530		
CLS02				100	125	-40 to 150	1.0	0.55	10	420		
CLS03	100	125		-40 to 150	1.0	0.58	10	345				

▽: I<sub>RRM</sub> = 5 μA Max (V<sub>R</sub> = 5 V) ◇: I<sub>F(DC)</sub> = 3 A

### High-Efficiency Diodes (HEDs)

Package	Part Number	Absolute Maximum Ratings					Electrical Characteristics (Max)					Conditions
		V <sub>RRM</sub> (V)	I <sub>F(AV)</sub> (A)	I <sub>FSM</sub> (A)	T <sub>J</sub> (°C)	T <sub>stg</sub> (°C)	I <sub>RRM</sub> (μA)	V <sub>FM</sub> (V)	@I <sub>FM</sub> (A)	t <sub>rr</sub> (ns)		
S-FLAT™	CRH02	200	0.5	10	150	-40 to 150	10	0.95	0.5	35	I <sub>F</sub> = 1 A, di/dt = -30 A/μs	
	CRH01	200	1.0	15	150	-40 to 150	10	0.98	1.0	35		
M-FLAT™	CMH04	200	1.0	20	150	-40 to 150	10	0.98	1.0	35	I <sub>F</sub> = 1 A, di/dt = -30 A/μs	
	CMH07	200	2.0	40	150	-40 to 150	10	0.98	2.0	35		
	CMH01	200	3.0	40	150	-40 to 150	10	0.98	3.0	35		
	CMH05	400	1.0	20	150	-40 to 150	10	1.3	1.0	50		
	CMH05A	400	1.0	10	150	-40 to 150	10	1.8	1.0	35		
	CMH08	400	2.0	30	150	-40 to 150	10	1.3	2.0	50		
	CMH08A	400	2.0	20	150	-40 to 150	10	1.8	2.0	35		
	CMH02	400	3.0	40	150	-40 to 150	10	1.3	3.0	50		
	CMH02A	400	3.0	30	150	-40 to 150	10	1.8	3.0	35		
	L-FLAT™	CLH01	200	3.0	60	150	-40 to 150	10	0.98	3.0		35
CLH05		200	5.0	100	150	-40 to 150	10	0.98	5.0	35		
CLH02		300	3.0	50	150	-40 to 150	10	1.3	3.0	35		
CLH06		300	5.0	60	150	-40 to 150	10	1.3	5.0	35		
CLH03		400	3.0	30	150	-40 to 150	10	1.8	3.0	35		
CLH04		400	3.0	30	150	-40 to 150	10	1.8	3.0	35		
CLH07		400	5.0	50	150	-40 to 150	10	1.8	5.0	35		

# Product Overview: Devices for AC-DC Power Supply Applications

## Synchronous Rectification MOSFETs

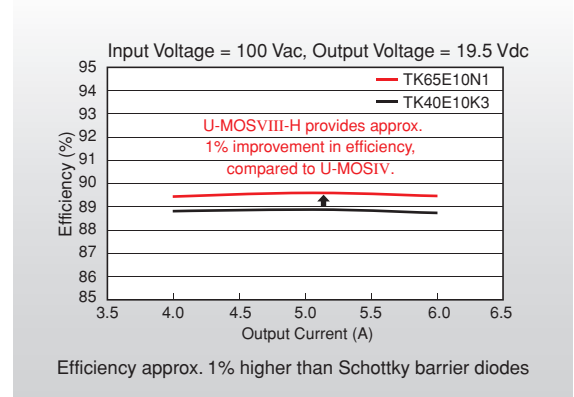
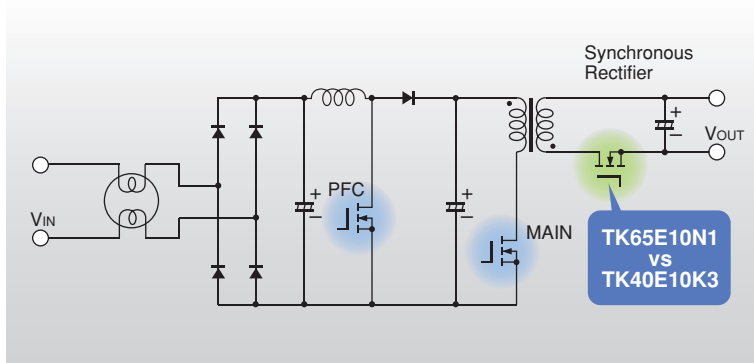
### U-MOSVIII-H Series ( $V_{DSS} = 60$ to $120$ V)

#### Features

- Low on-resistance achieved by high density through the use of submicron technology
- Guaranteed avalanche capability

#### Efficiency Test Circuit

120 W (19.5 V/6.2 A) Flyback Converter  
 $V_{IN} = 100$  Vac



#### Product Lineup

Part Number	Absolute Maximum Ratings				$R_{DS(ON)}$ (m $\Omega$ ) @ $V_{GS} = 10$ V		Qg (nC) Typ. $V_{DD} = V_{DSS} \times 0.8, I_D = I_{D(DC)}$	Qsw (nC) Typ.	Package	Series
	$V_{DSS}$ (V)	$V_{GSS}$ (V)	$I_D$ (A)	$P_D$ (W)	Typ.	Max				
TK75A06K3	60	$\pm 20$	75	35	4.5	5.5	85	—	TO-220SIS	U-MOSIV
TK46E08N1	80	$\pm 20$	80	103	6.9	8.4	37	16	TO-220	U-MOSVIII-H
TK46A08N1	80	$\pm 20$	80	35	6.9	8.4	37	16	TO-220SIS	U-MOSVIII-H
TK72E08N1	80	$\pm 20$	157	192	3.6	4.3	81	33	TO-220	U-MOSVIII-H
TK72A08N1	80	$\pm 20$	157	45	3.7	4.5	81	33	TO-220SIS	U-MOSVIII-H
TK100E08N1	80	$\pm 20$	214	255	2.6	3.2	130	53	TO-220	U-MOSVIII-H
TK100A08N1	80	$\pm 20$	214	45	2.6	3.2	130	53	TO-220SIS	U-MOSVIII-H
TK100G08N1**	80	$\pm 20$	(224)	250	(2.3)	(2.8)	TBD	TBD	TO-220SM	U-MOSVIII-H
TK18E10K3	100	$\pm 20$	18	71	33	42	33	—	TO-220	U-MOSIV
TK22E10N1	100	$\pm 20$	52	72	11.5	13.8	28	12	TO-220	U-MOSVIII-H
TK22A10N1	100	$\pm 20$	52	30	11.5	13.8	28	12	TO-220SIS	U-MOSVIII-H
TK34E10N1	100	$\pm 20$	75	103	7.9	9.5	38	15	TO-220	U-MOSVIII-H
TK34A10N1	100	$\pm 20$	75	35	7.9	9.5	38	15	TO-220SIS	U-MOSVIII-H
TK40E10N1	100	$\pm 20$	90	126	6.8	8.2	49	21	TO-220	U-MOSVIII-H
TK40A10N1	100	$\pm 20$	90	35	6.8	8.2	49	21	TO-220SIS	U-MOSVIII-H
TK65E10N1	100	$\pm 20$	148	192	4	4.8	81	32	TO-220	U-MOSVIII-H
TK65A10N1	100	$\pm 20$	148	45	4	4.8	81	32	TO-220SIS	U-MOSVIII-H
TK65G10N1**	100	$\pm 20$	(151)	192	(3.7)	(4.5)	81	32	TO-220SM	U-MOSVIII-H
TK100E10N1	100	$\pm 20$	207	255	2.8	3.4	140	55	TO-220	U-MOSVIII-H
TK100A10N1	100	$\pm 20$	207	45	3.1	3.8	140	55	TO-220SIS	U-MOSVIII-H
TK100G10N1**	100	$\pm 20$	(212)	250	(2.6)	(3.1)	TBD	TBD	TO-220SM	U-MOSVIII-H
TK56E12N1**	120	$\pm 20$	112	168	5.8	7.0	69	29	TO-220	U-MOSVIII-H
TK56A12N1**	120	$\pm 20$	112	45	6.2	7.5	69	29	TO-220SIS	U-MOSVIII-H

\*\* : Under development (All specs are preliminary.)

# Product Overview: Devices for DC-DC Converter Applications

## Single-Output Buck DC-DC Converter ICs

These DC-DC converter ICs are best suited to low-voltage, high-current drive of ICs implemented in various equipment, such as SoCs and ASICs.

Toshiba's DC-DC converter ICs require only a few external components, such as inductors, capacitors and output voltage setting resistors. They help to reduce the size and improve the efficiency (i.e., reduce the power loss) of various applications.

### Features

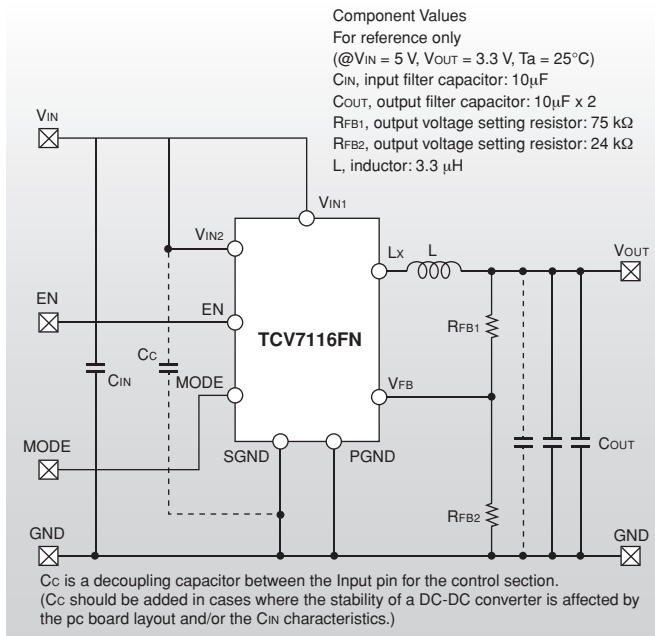
- Available with output current capabilities ranging from 0.5 A to 6.5 A.
- High efficiency: 95% typical when the TCV7116FN is used @  $V_{IN} = 5\text{ V}$ ,  $V_{OUT} = 3.3\text{ V}$ ,  $I_{OUT} = 0.7\text{ A}$ , PWM mode
- Improved efficiency at light loads: TCV7106FN/07F/13F/16FN/17F
- Dual-output DC-DC converters with series regulator: TB7109F/10F
- High accuracy reference voltage ( $V_{FB}$ ):  $0.8\text{ V} \pm 1\%$  (with the TCV71xx series)
- Reduces the size of external parts by offering the high-frequency switching ability.
- Offers fast transient response using current-mode control.
- A ceramic capacitor can be used as an output filter capacitor.

### Application Examples

- LCD TVs
- Digital home appliances
- Plasma TVs
- Amusement equipment
- Copies
- Industrial equipment

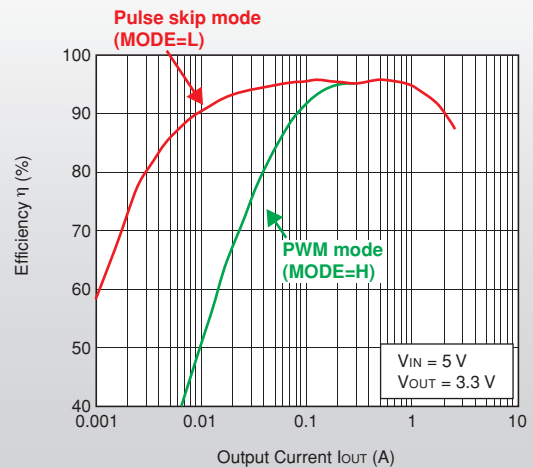
### Application Circuit Example (TCV7116FN)

Here is a typical application circuit using a low-ESR electrolytic capacitor and a ceramic capacitor as  $C_{OUT}$ .



### Efficiency Curves <Typical Characteristics> (TCV7116FN)

The integrated high-speed, low-Ron MOSFETs allow the switching between Continuous PWM mode and Pulse Skip mode according to the voltage at the MODE pin. This feature provides high efficiency over a wide output current range.



### Product Lineup

Part Number	Output Current (A)	Operating Input Voltage (V)	Output Voltage (V)	Switching Frequency (kHz)	Functions			Package	Remarks
					Synchronous Rectification	External Low-Side MOS	Phase Compensation Logic		
TCV7103AF	6.5	2.7 to 5.6	Adjustable ( $V_{FB} = 0.8 \pm 1\%$ )	1000	●	●	Integrated	SOP Advance	
TCV7113F		2.7 to 5.6		1000	Chopper mode avail <sup>1)</sup>	●	Integrated	SOP Advance	Improved light-load efficiency
TCV7101F	3.8	2.7 to 5.5		600	●	●	Integrated	SOP Advance	
TCV7102AF		2.7 to 5.6		1400	●	Integrated	SOP Advance		
TCV7107F	3.0	2.7 to 5.6		550	Chopper mode avail		Integrated	SOP Advance	Improved light-load efficiency
TCV7117F		2.7 to 5.6		550	●	Integrated	SOP Advance	Improved light-load efficiency	
TCV7100AF	2.7	2.7 to 5.5		800	●		Integrated	SOP Advance	
TCV7105F		2.7 to 5.5		1500	●	Integrated	SOP Advance		
TCV7106FN	2.5	2.7 to 5.6		550	Chopper mode avail		Integrated	PS-8	Improved light-load efficiency
TCV7116FN		2.7 to 5.6		550	●	Integrated	PS-8	Improved light-load efficiency	
TCV7108FN	2.0	2.7 to 5.6		1500	●		Integrated	PS-8	Improved load transient response
TCV7104FN		2.7 to 5.5		1500	●	Integrated	PS-8		
TB7106F	3.0	4.5 to 20	Adjustable ( $V_{FB} = 0.8 \pm 2.25\%$ )	380			Externally required	SOP Advance	
TB7107FN	2.0	4.5 to 20		380			Externally required	PS-8	
TB7110F	1.5	4.5 to 27	Adjustable ( $V_{FB} = 1.215 \pm 2.9\%$ )	500			Integrated	SOP Advance	DC-DC conv. + regulator
TB7109F	0.5	8 to 27		400			Integrated	SOP Advance	DC-DC conv. + regulator (for LNB)

<sup>1)</sup> Automatic switchable operation type.



# Product Overview: Devices for DC-DC Converter Applications

## Multiple-Output DC-DC Converter ICs

### Features

Multiple-output DC-DC converter ICs are power management ICs (PMICs) that integrate several DC-DC converters on a single chip for space-saving applications. One PMIC can supply power to multiple peripheral devices and meet the needs for various applications. Multiple-output DC-DC converters are available with various output channel options to meet diverse requirements.

### Application Examples

- Cell phones
- Digital still cameras

### Product Lineup

Part Number	Application	Channels					Operating Input Voltage (V)	Switching Frequency (kHz)	Package
		Boost	Buck	Buck-Boost	Invert	LDO			
<b>TB6817WBG</b>	SSD	–	2	–	–	–	3.0 to 3.6	1500	WCSP24
<b>TB6830WBG</b>	WiMAX	–	2	1	–	5	2.7 to 5.5	1500	WCSP53
<b>TC7731FTG **</b>	DDR2/3	–	1	–	–	1	2.7 to 5.5	500/1000	QFN40
<b>TC7732FTG **</b>	Cell phones	–	1	–	–	4	2.5 to 5.5	4000	QFN16
<b>TC7733FTG **</b>	DVC	1	6	–	–	1	5.0 to 14	400/800	QFN52

\*\* Under development

## Digital Step-Down DC-DC Converter IC

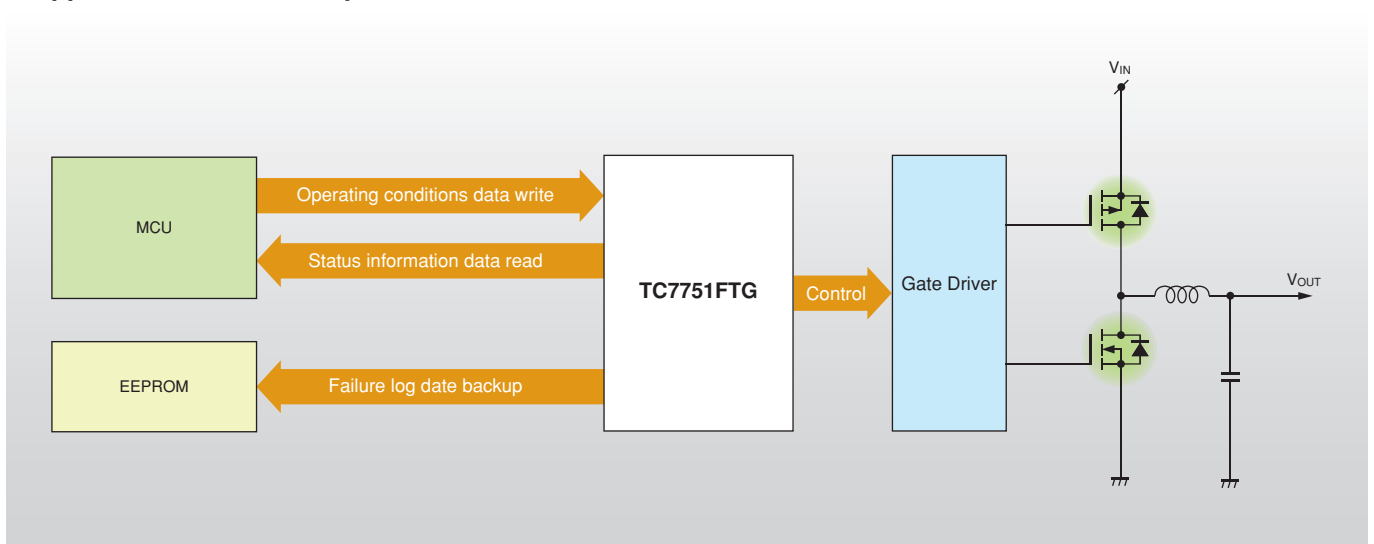
### Features

Toshiba offers a buck DC-DC converter IC using digital feedback control. To reduce power consumption and board space, the TC7751FTG provides digital control in hardware that has previously been implemented as firmware running on a DSP or MCU core. The TC7751FTG has state monitoring functions for current, voltage and temperature to detect system power supply faults early. Not only does it feed back the state information to a host but also activates a protection circuit to protect itself. The communication features of the TC7751FTG can also be used to feed back the state of system power supply changes as well as to program the output voltage, monitoring thresholds, etc. Thus, the TC7751FTG allows you to address various needs for DC-DC converters.

### Application Examples

- POL power supplies (servers, printers, etc.)

### Application Circuit Example



Part Number	Type	Output Current (A)	Operating Input Voltage (V)	Output Voltage (V)	Switching Frequency (kHz)	Package
<b>TC7751FTG **</b>	Controller	35 *1	3.0 to 5.5	0.6 to 4.3	100 to 1000	QFN28

\*\* Under development \*1: Depends on external MOSFET.

# Rechargeable Lithium-Ion Battery Charger

## TC7710WBG

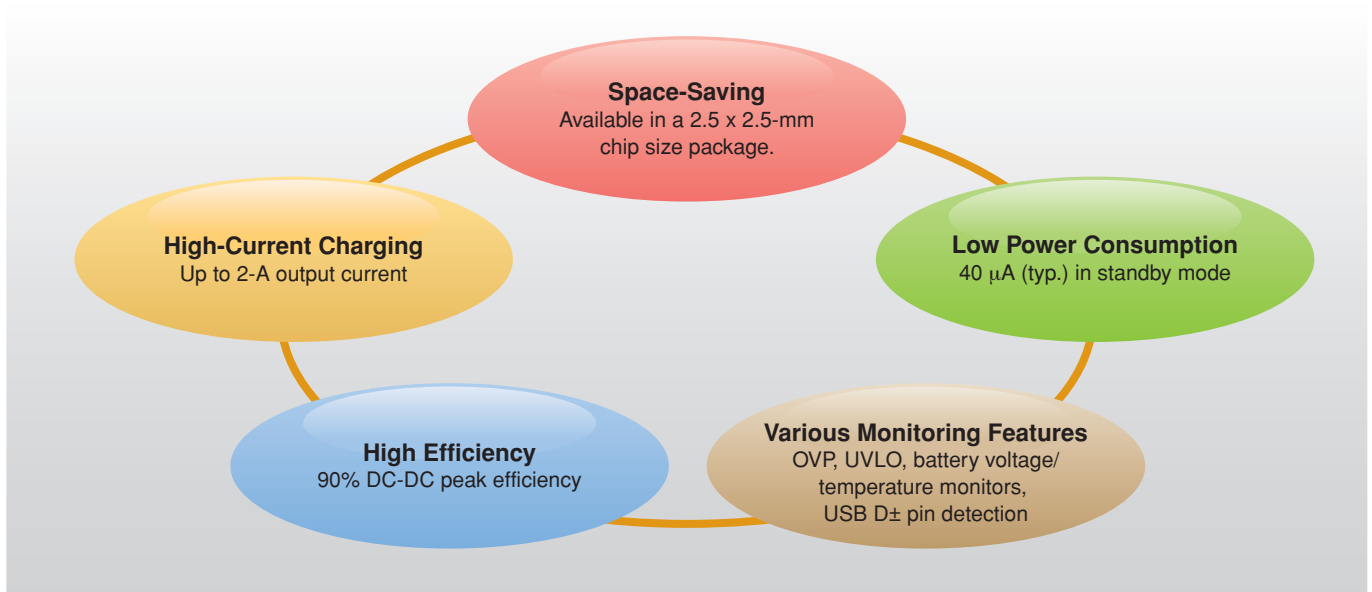
### Features

Many mobile devices have an embedded high-capacity lithium-ion battery pack in order to deliver extended playtime for wide-ranging applications such as music, video and games. Manufacturers of mobile devices have been striving to keep its charge time equal to or less than the predecessor. The TC7710WBG provides the ideal solution for rechargeable lithium-ion battery chargers with a USB port. It is compliant with the Battery Charging Specification 1.2. Due to the adoption of a DC-DC converter, it offers high efficiency and a high charge current of 2 A.

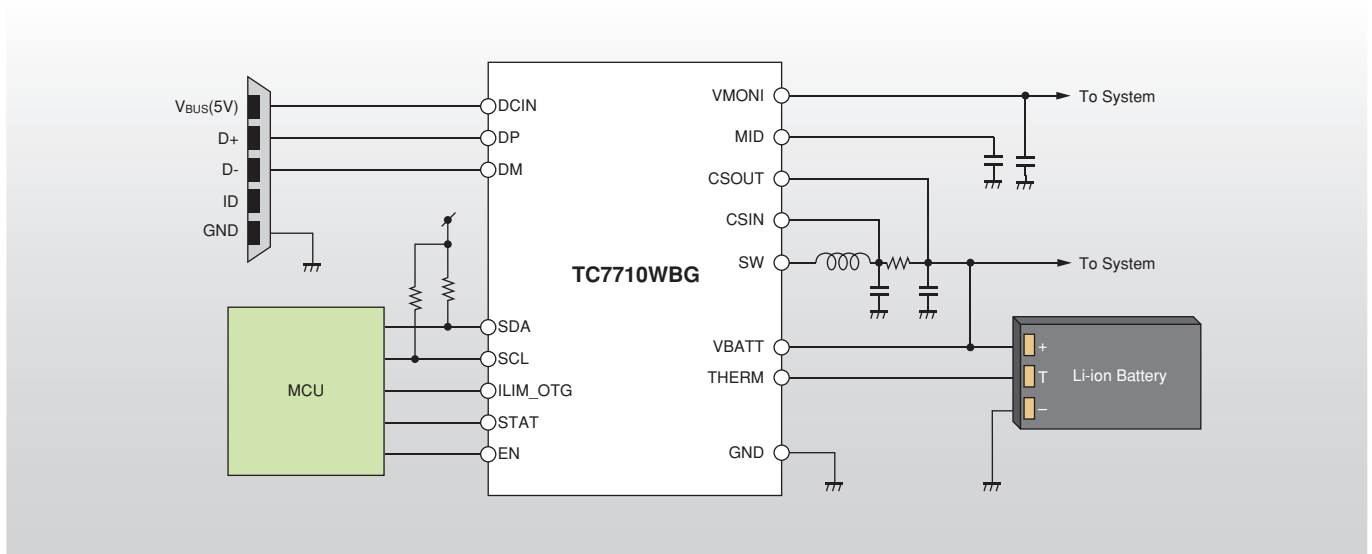
### Application Examples

- Devices with a rechargeable lithium-ion battery (e.g., cell phones, digital still cameras)

### Five Benefits



### Application Circuit Example



### Product Lineup

Part Number	Operating Input Voltage (V)	Input Current (A)	Output Voltage (V)	Output Current (A)	Switching Frequency (kHz)	Package
TC7710WBG **	4.3 to 6.5	2 (max)	3.46 to 4.72	2 (max)	3000	WCSP25

\*\* : Under development

# Product Overview: Devices for DC-DC Converter Applications

## Low-Voltage MOSFETs for DC-DC Converter Applications (V<sub>DSS</sub> = 30 to 100 V)

By employing microfabrication technology and reducing the gate charge, the power MOSFET series achieves extremely high speed and low R<sub>DS(ON)</sub>.

### Features

- Low R<sub>DS(ON)</sub>
- High-speed switching
- Total gate charge (Qg) reduction
- High avalanche capability

### Product Lineup

Configuration	Absolute Maximum Ratings			Part Number	Package	R <sub>DS(ON)</sub> (mΩ) Max.		Qg(nC) Typ.	Qsw(nC) Typ.	Series	
	V <sub>DSS</sub> (V)	V <sub>GSS</sub> (V)	I <sub>D</sub> (A)			V <sub>GS</sub> = 10 V	V <sub>GS</sub> = 4.5 V	V <sub>DD</sub> = V <sub>DSS</sub> x 0.8			
N-ch	Single	30	±20	9	TPCC8067-H	TSON Advance	25	33	9.5	1.9	U-MOSVII-H
				11	TPCC8066-H		15	19	15	3.2	U-MOSVII-H
				13	TPCC8068-H		11.6	16	14	3.3	U-MOSVII-H
				13	TPCC8065-H		11.4	14.5	20	4.3	U-MOSVII-H
				19	TPCC8064-H		8.2	10.6	23	5	U-MOSVII-H
				27	TPCC8062-H		5.6	7.1	34	7.4	U-MOSVII-H
				15	TPCA8068-H		11.6	16	14	3.3	U-MOSVII-H
				16	TPCA8065-H		11.4	14.5	20	4.3	U-MOSVII-H
				20	TPCA8064-H		8.2	10.6	23	5	U-MOSVII-H
				22	TPCA8063-H		6.8	8.7	27	5.9	U-MOSVII-H
				28	TPCA8062-H	5.6	7.1	34	7.4	U-MOSVII-H	
				32	TPCA8059-H	3.8	4.8	41	9.1	U-MOSVII-H	
				38	TPCA8058-H	3	3.8	51	12	U-MOSVII-H	
				42	TPCA8057-H	2.6	3.2	61	14	U-MOSVII-H	
				48	TPCA8056-H	2.2	2.7	74	17	U-MOSVII-H	
				56	TPCA8055-H	1.9	2.3	91	21	U-MOSVII-H	
				20	TPCA8052-H	11.3	13.1	25	6.8	U-MOSVI-H	
				32	TPCA8047-H	7.3	8.5	43	13	U-MOSVI-H	
				38	TPCA8046-H	5.4	6.3	55	15	U-MOSVI-H	
				46	TPCA8045-H	3.6	4.1	90	23	U-MOSVI-H	
		(11)	TPN22006NH **	(22)	-	(10)	(4.5)	U-MOSVIII-H			
		(13)	TPN14006NH **	(13.9)	-	(16)	(6.9)	U-MOSVIII-H			
		(27)	TPN7R506NH **	(7.5)	-	(24)	(10)	U-MOSVIII-H			
		15	TPCA8053-H	22.3	24	25	6.9	U-MOSVI-H			
		14	TPH14006NH	14	-	16	6.3	U-MOSVIII-H			
		22	TPH7R506NH	7.5	-	31	14	U-MOSVIII-H			
		24	TPCA8050-H	14.2	15.3	41	10	U-MOSVI-H			
		28	TPCA8049-H	10.4	11.2	55	13	U-MOSVI-H			
		28	TPH5R906NH	5.9	-	38	18	U-MOSVIII-H			
		32	TPH4R606NH	4.6	-	49	19	U-MOSVIII-H			
		35	TPCA8048-H	6.6	7.1	90	19	U-MOSVI-H			
		9.6	TPN30008NH **	30	-	11	4.1	U-MOSVIII-H			
		(18)	TPN13008NH **	(13.3)	-	(18)	(6.7)	U-MOSVIII-H			
		24	TPH12008NH **	12.3	-	22	8.1	U-MOSVIII-H			
		28	TPCA8051-H	9.4	9.8	91	18	U-MOSVI-H			
34	TPH8R008NH **	8	-	35	13	U-MOSVIII-H					
9.4	TPN3300ANH **	33	-	11	4.5	U-MOSVIII-H					
(17)	TPN1600ANH **	(16)	-	(19)	(7.4)	U-MOSVIII-H					
24	TPH1400ANH **	13.6	-	22	9.4	U-MOSVIII-H					
32	TPH8R80ANH **	8.8	-	33	13	U-MOSVIII-H					
35	TPCA8A11-H	3.6	4.6	46	10	U-MOSVII-H					
40	TPCA8A10-H	3	3.8	57	12	U-MOSVII-H					
51	TPCA8A09-H	2.3	2.8	82	17	U-MOSVII-H					

\*\* : Under development(All specs are preliminary.)

## Bipolar Power Transistors for self-Excited DC-DC Converter Applications

### Product Lineup

Package	Part Number	Absolute Maximum Ratings				h <sub>FE</sub>				V <sub>CE(sat)</sub> Max		
		V <sub>CEX</sub> (V)	V <sub>CEO</sub> (V)	I <sub>C</sub> (A)	P <sub>C</sub> (W)	Min		Max		V <sub>CE</sub> (V)	I <sub>C</sub> (A)	I <sub>B</sub> (mA)
TSM	2SC6061	150	120	1	0.625 *1	120	300	2	0.1	0.14	0.3	10
PS-8	TPCP8510	150	120	1	1.1 *1	120	300	2	0.1	0.14	0.3	10
	TPCP8507	150	120	1	1.25 *1	120	300	2	0.1	0.14	0.3	10
PW-Mold	2SC6076	160	80	3	10 *2	180	450	2	0.5	0.5	1	100
PW-Mini	2SC6124	160	80	2	1 *1	100	200	2	0.5	0.5	1	100

\*1: Mounted on FR4 board (Cu area: 645 mm<sup>2</sup>; glass epoxy; t = 1.6 mm) \*2: T<sub>c</sub> = 25°C

# Product Overview: Other Devices for Power Supply Applications

## Load Switch ICs (Low On-Resistance, Low-Voltage Operation, Additional Features, Ultra-Small Package)

### TCK10xG Series

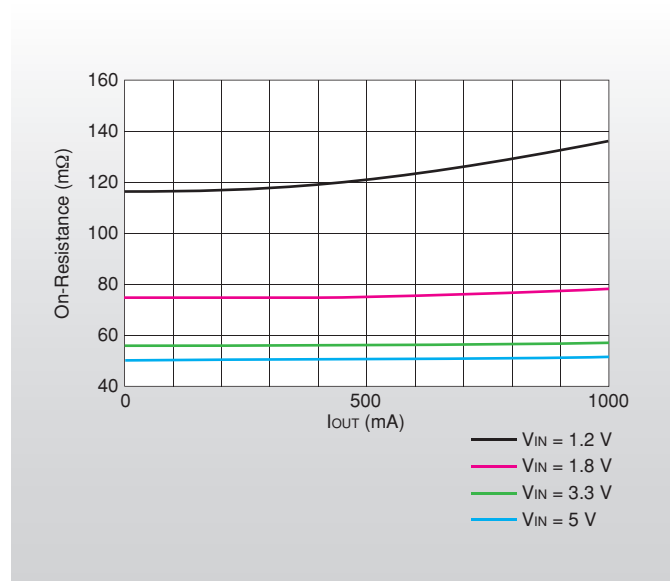
The TCK10xG Series consists of CMOS load switch ICs with low-voltage operation, low on-resistance, low current consumption and a control input pin. It features a wide operating voltage range of 1.1 to 5.5 V and low on-resistance of 55 mΩ typical ( $V_{IN} = 3.3\text{ V}$ , 500 mA). Additionally, all the load switches of the TCK10xG Series have inrush current reduction and thermal shutdown circuits. An auto discharge function and an overcurrent protection circuit are available on some load switches. Those without overcurrent protection provide an output current of 1 A, while those with overcurrent protection are offered with output currents of 0.2 A, 0.5 A and 0.8 A.

The TCK10xG Series is housed in an ultra-small WCSP6 package with a lead pitch of 0.4 mm (measuring 0.8 mm x 1.2 mm x 0.64 mm (max)), making it ideal for applications that require high-density assembly such as portable devices.

#### Features

- Wide operating voltage range ( $V_{IN} = 1.1$  to 5.5 V)
- Low  $R_{ON}$ 
  - $R_{ON} = 50\text{ m}\Omega$  (typ.) @  $V_{IN} = 5.0\text{ V}$ , 500 mA
  - $R_{ON} = 55\text{ m}\Omega$  (typ.) @  $V_{IN} = 3.3\text{ V}$ , 500 mA
  - $R_{ON} = 75\text{ m}\Omega$  (typ.) @  $V_{IN} = 1.8\text{ V}$ , 500 mA
  - $R_{ON} = 120\text{ m}\Omega$  (typ.) @  $V_{IN} = 1.2\text{ V}$ , 800 mA
- Low current consumption
  - $I_Q = 8\text{ }\mu\text{A}$  (typ.) @  $I_{OUT} = 0\text{ mA}$  (TCK101G, TCK102G)
  - $I_Q = 20\text{ }\mu\text{A}$  (typ.) @  $I_{OUT} = 0\text{ mA}$  (TCK103G, TCK104G, TCK105G)
- Low standby current ( $I_{Q(OFF)} = 0.1\text{ }\mu\text{A}$  (typ.))
- Inrush current reduction circuit
- Overcurrent protection circuit (except TCK101G and TCK102G)
- Thermal shutdown circuit
- Auto discharge (except TCK102G)
- Control pin connected to a pull-down resistor
- Ultra-small package
  - WCSP6 (0.8 mm x 1.2 mm x 0.64 mm(max))

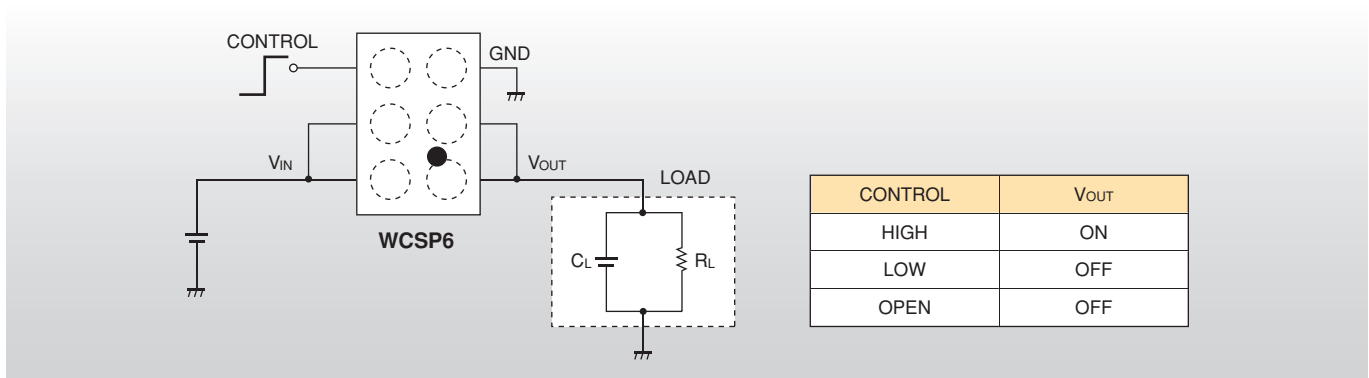
#### On-Resistance of the TCK101G and TCK102G ( $T_a = 25^\circ\text{C}$ )



#### Application Examples

- Cell phones
- Digital still cameras
- Small portable devices
- Portable audio players
- Tablet PCs

#### Application Circuit Example



Note: The products listed below are under development; their specifications are subject to change without notice.

#### Product Lineup

Part Number	Operating Voltage (V)	Features			
		Overcurrent Protection	Thermal Shutdown	Auto Discharge	Control Pin Connection
TCK101G**	1.1 to 5.5	-	Y	Y	Pull-down
TCK102G**		-	Y	-	Pull-down
TCK103G**		Y (Up to 200 mA)	Y	Y	Pull-down
TCK104G**		Y (Up to 500 mA)	Y	Y	Pull-down
TCK105G**		Y (Up to 800 mA)	Y	Y	Pull-down

\*\* : Under development



# Product Overview: Other Devices for Power Supply Applications

## CMOS LDO Regulators

### TCR2EN, TCR2EE and TCR2EF Series

Toshiba offers a robust portfolio of LDO regulators ranging from general-purpose products to high-end products ideal for applications requiring high accuracy and high stability that are particularly needed for analog circuitry.

The TCR2EN, TCR2EE and TCR2EF Series are fabricated with a newly developed CMOS process to deliver a significant improvement in performance/size trade-offs. While physically small, these single-output LDO regulators offer a small voltage dropout, an output current ( $I_{OUT}$ ) of 200 mA and a control pin. Additionally, the TCR2EN, TCR2EE and TCR2EF Series provide a low output noise, fast load transient response, automatic output discharge, thermal shutdown, etc. and can be used for a broad range of applications. Wide packaging options include an ultra-small SDFN4 (measuring 0.8 mm x 0.8 mm x 0.38 mm), a general-purpose ESV also known as SOT-553 (measuring 1.6 x 1.6 x 0.55 mm), SMV also known as SOT25 (measuring 2.9 x 2.8 x 1.1 mm), etc.

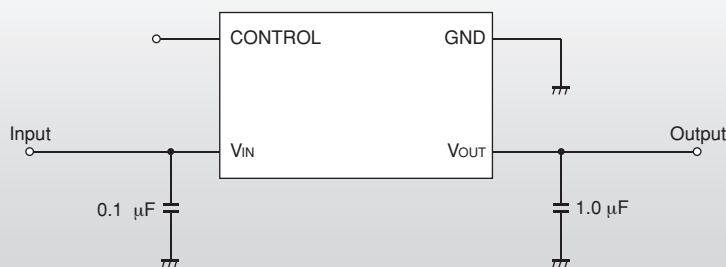
#### Features

- Low dropout voltage
  - $V_{IN}-V_{OUT} = 160\text{ mV (typ.) @ 2.5-V output, } I_{OUT} = 150\text{ mA}$
  - $V_{IN}-V_{OUT} = 210\text{ mV (typ.) @ 1.8-V output, } I_{OUT} = 150\text{ mA}$
  - $V_{IN}-V_{OUT} = 490\text{ mV (typ.) @ 1.0-V output, } I_{OUT} = 150\text{ mA}$
- Low output noise voltage:  $V_{NO} = 35\text{ }\mu\text{Vrms (typ.)}$ 
  - @ 2.5-V output,  $I_{OUT} = 10\text{ mA}$ ,  $10\text{ Hz} < f < 100\text{ kHz}$
- Load transient response:  $\Delta V_{OUT} = \pm 55\text{ mV (typ.)}$ 
  - @  $I_{OUT} = 1 \leftrightarrow 150\text{ mA}$ ,  $C_{OUT} = 1.0\text{ }\mu\text{F}$
- Low bias current:  $I_B = 35\text{ }\mu\text{A (typ.) @ } I_{OUT} = 0\text{ mA}$
- High ripple rejection ratio: (R.R = 73 dB (typ.)
  - @ 2.5-V output,  $I_{OUT} = 10\text{ mA}$ ,  $f = 1\text{ kHz}$
- Available with output voltage from 1.0 V to 3.6 V (fixed output voltage)
- High output voltage accuracy:  $\pm 1.0\%$  ( $V_{OUT} \geq 1.8\text{ V}$ )
- Automatic output discharge; control pin connected to a pull-down resistor
- Allows use of ceramic capacitors on the input and output lines ( $C_{IN} = 0.1\text{ }\mu\text{F}$ ,  $C_{OUT} = 1.0\text{ }\mu\text{F}$ )

#### Application Examples

- Cell phones
- Digital still cameras (DSCs)
- Small portable devices
- Televisions
- PCs
- DVD and Blu-ray recorders
- Portable audio players

#### Application Circuit Example



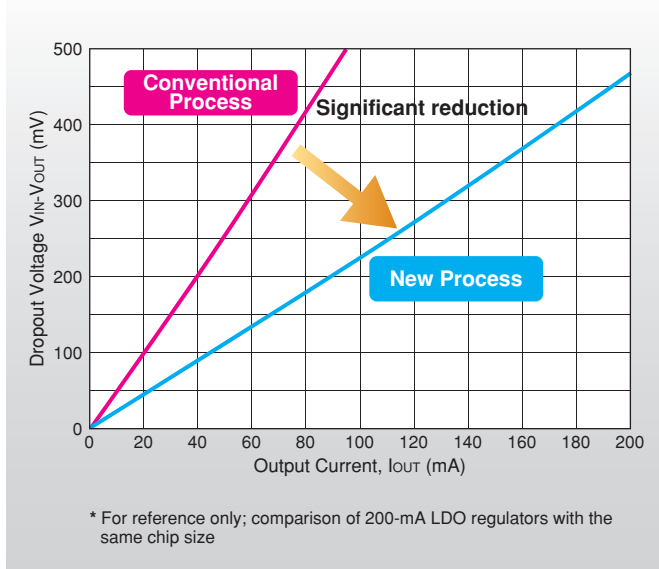
CONTROL	V <sub>OUT</sub>
HIGH	ON
LOW	OFF
OPEN	OFF

For stable operation, capacitors should be connected to the input and output lines. (Ceramic capacitors can be used.)

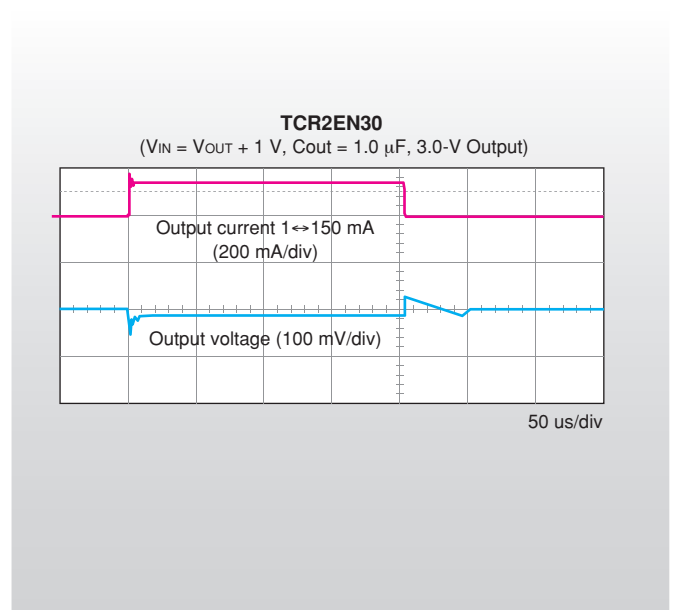
● **Typical Performance (TCR2EN Series)**

The TCR2EN Series features a low dropout voltage of 160 mV (at 2.5-V output and  $I_{OUT} = 150$  mA). Additionally, it offers a low output noise voltage of 35  $\mu$ Vrms (at 2.5-V output) and a fast load transient response of  $\Delta V_{OUT} = \pm 55$  mV ( $I_{OUT} = 1$  mA  $\leftrightarrow$  150 mA,  $C_{OUT} = 1.0$   $\mu$ F).

**Comparison of Voltage Dropout Performance Between 1.2-V LDO Regulators**



**Load Transient Response Performance**



● **Product Lineup**

Series	Output Current	Output Voltage	Overcurrent Protection	Automatic Output Discharge (Pulled-Down Control Pin)	Package
TCR2ENxx *	200	1.0 to 3.6	○	○	SDFN4
TCR2EExx **	200	1.0 to 3.6 *1	○	○	ESV(SOT-553)
TCR2EFxx **	200	1.0 to 3.6 *1	○	○	SMV(SOT25)

\*1: If you have any requests for output voltage, etc., feel free to contact your local Toshiba sales representative.

\*: New products \*\*: Under development

**Toshiba America****Electronic Components, Inc.**

- Irvine, Headquarters  
Tel: (949)623-2900 Fax: (949)474-1330
- Buffalo Grove (Chicago)  
Tel: (847)484-2400 Fax: (847)541-7287
- Duluth/Atlanta  
Tel: (770)931-3363 Fax: (770)931-7602
- El Paso  
Tel: (915)771-8156
- Marlborough  
Tel: (508)481-0034 Fax: (508)481-8828
- Parsippany  
Tel: (973)541-4715 Fax: (973)541-4716
- San Jose  
Tel: (408)526-2400 Fax: (408)526-2410
- Wixom (Detroit)  
Tel: (248)347-2607 Fax: (248)347-2602

**Toshiba Electronics do Brasil Ltda.**

Tel: (011)2936-6681 Fax: (011)2936-6675

**Toshiba India Private Ltd.**

- New Deli Office  
Tel: (0124)499-6600 Fax: (0124)499-6611
- Bangalore Office  
Tel: (080)251-90800 Fax: (080)490-91945

**Toshiba Electronics Europe GmbH**

- Düsseldorf Head Office  
Tel: (0211)5296-0 Fax: (0211)5296-400
- France Branch  
Tel: (1)47282181
- Italy Branch  
Tel: (039)68701 Fax: (039)6870205
- Munich Office  
Tel: (089)20302030 Fax: (089)203020310
- Spain Branch  
Tel: (91)660-6798 Fax: (91)660-6799
- Sweden Branch  
Tel: (08)704-0900 Fax: (08)80-8459
- U.K. Branch  
Tel: (0870)060-2370 Fax: (01252)53-0250

**Toshiba Vietnam Consumer Products Co.,Ltd.**

Tel: (043)776-5950 Fax: (043)776-5956

**Toshiba Electronics Asia (Singapore) Pte. Ltd.**

Tel: (6278)5252 Fax: (6271)5155

**Toshiba Electronics Service (Thailand) Co., Ltd.**

Tel: (02)501-1634 Fax: (02)501-1638

**Toshiba Electronics Trading (Malaysia)Sdn. Bhd.**

- Kuala Lumpur Head Office  
Tel: (03)5631-6311 Fax: (03)5631-6307
- Penang Office  
Tel: (04)226-8523 Fax: (04)226-8515

**Toshiba Electronics (Shanghai) Co., Ltd.**

- Shanghai Head Office  
Tel: (021)6139-3888 Fax: (021)6190-8288
- Beijing Branch  
Tel: (010)6590-8796 Fax: (010)6590-8791
- Chengdu Branch  
Tel: (028)8675-1773 Fax: (028)8675-1065
- Hangzhou Office  
Tel: (0571)8717-5004 Fax: (0571)8717-5013
- Nanjing Office  
Tel: (025)8689-0070 Fax: (025)8689-0125
- Qingdao Branch  
Tel: (532)8579-3328 Fax: (532)8579-3329
- Shenzhen Branch  
Tel: (0755)2399-6897 Fax: (0755)2399-5573
- Dalian Branch  
Tel: (0411)8368-6882 Fax: (0411)8369-0822

**Toshiba Electronics Asia, Ltd.**

Tel: (2375)6111 Fax: 2375-0969

**Tsurong Xiamen Xiangyu Trading Co., Ltd.**

Tel: (0592)226-1398 Fax: (0592)226-1399

**Toshiba Electronics Korea Corporation**

Tel: (02)3484-4334 Fax: (02)3484-4302

**Toshiba Electronics Taiwan Corporation**

Tel: (02)2508-9988 Fax: (02)2508-9999

- ▶ Toshiba Corporation, and its subsidiaries and affiliates (collectively "TOSHIBA"), reserve the right to make changes to the information in this document, and related hardware, software and systems (collectively "Product") without notice.
- ▶ This document and any information herein may not be reproduced without prior written permission from TOSHIBA. Even with TOSHIBA's written permission, reproduction is permissible only if reproduction is without alteration/omission.
- ▶ Though TOSHIBA works continually to improve Product's quality and reliability, Product can malfunction or fail. Customers are responsible for complying with safety standards and for providing adequate designs and safeguards for their hardware, software and systems which minimize risk and avoid situations in which a malfunction or failure of Product could cause loss of human life, bodily injury or damage to property, including data loss or corruption. Before customers use the Product, create designs including the Product, or incorporate the Product into their own applications, customers must also refer to and comply with (a) the latest versions of all relevant TOSHIBA information, including without limitation, this document, the specifications, the data sheets and application notes for Product and the precautions and conditions set forth in the "TOSHIBA Semiconductor Reliability Handbook" and (b) the instructions for the application with which the Product will be used with or for. Customers are solely responsible for all aspects of their own product design or applications, including but not limited to (a) determining the appropriateness of the use of this Product in such design or applications; (b) evaluating and determining the applicability of any information contained in this document, or in charts, diagrams, programs, algorithms, sample application circuits, or any other referenced documents; and (c) validating all operating parameters for such designs and applications. **TOSHIBA ASSUMES NO LIABILITY FOR CUSTOMERS' PRODUCT DESIGN OR APPLICATIONS.**
- ▶ **PRODUCT IS NEITHER INTENDED NOR WARRANTED FOR USE IN EQUIPMENTS OR SYSTEMS THAT REQUIRE EXTRAORDINARILY HIGH LEVELS OF QUALITY AND/OR RELIABILITY, AND/OR A MALFUNCTION OR FAILURE OF WHICH MAY CAUSE LOSS OF HUMAN LIFE, BODILY INJURY, SERIOUS PROPERTY DAMAGE AND/OR SERIOUS PUBLIC IMPACT ("UNINTENDED USE").** Except for specific applications as expressly stated in this document, Unintended Use includes, without limitation, equipment used in nuclear facilities, equipment used in the aerospace industry, medical equipment, equipment used for automobiles, trains, ships and other transportation, traffic signaling equipment, equipment used to control combustions or explosions, safety devices, elevators and escalators, devices related to electric power, and equipment used in finance-related fields. **IF YOU USE PRODUCT FOR UNINTENDED USE, TOSHIBA ASSUMES NO LIABILITY FOR PRODUCT.** For details, please contact your TOSHIBA sales representative.
- ▶ Do not disassemble, analyze, reverse-engineer, alter, modify, translate or copy Product, whether in whole or in part.
- ▶ Product shall not be used for or incorporated into any products or systems whose manufacture, use, or sale is prohibited under any applicable laws or regulations.
- ▶ The information contained herein is presented only as guidance for Product use. No responsibility is assumed by TOSHIBA for any infringement of patents or any other intellectual property rights of third parties that may result from the use of Product. No license to any intellectual property right is granted by this document, whether express or implied, by estoppel or otherwise.
- ▶ **ABSENT A WRITTEN SIGNED AGREEMENT, EXCEPT AS PROVIDED IN THE RELEVANT TERMS AND CONDITIONS OF SALE FOR PRODUCT, AND TO THE MAXIMUM EXTENT ALLOWABLE BY LAW, TOSHIBA (1) ASSUMES NO LIABILITY WHATSOEVER, INCLUDING WITHOUT LIMITATION, INDIRECT, CONSEQUENTIAL, SPECIAL, OR INCIDENTAL DAMAGES OR LOSS, INCLUDING WITHOUT LIMITATION, LOSS OF PROFITS, LOSS OF OPPORTUNITIES, BUSINESS INTERRUPTION AND LOSS OF DATA, AND (2) DISCLAIMS ANY AND ALL EXPRESS OR IMPLIED WARRANTIES AND CONDITIONS RELATED TO SALE, USE OF PRODUCT, OR INFORMATION, INCLUDING WARRANTIES OR CONDITIONS OF MERCHANTABILITY, FITNESS FOR A PARTICULAR PURPOSE, ACCURACY OF INFORMATION, OR NONINFRINGEMENT.**
- ▶ Product may include products using GaAs (Gallium Arsenide). GaAs is harmful to humans if consumed or absorbed, whether in the form of dust or vapor. Handle with care and do not break, cut, crush, grind, dissolve chemically or otherwise expose GaAs in Product.
- ▶ Do not use or otherwise make available Product or related software or technology for any military purposes, including without limitation, for the design, development, use, stockpiling or manufacturing of nuclear, chemical, or biological weapons or missile technology products (mass destruction weapons). Product and related software and technology may be controlled under the applicable export laws and regulations including, without limitation, the Japanese Foreign Exchange and Foreign Trade Law and the U.S. Export Administration Regulations. Export and re-export of Product or related software or technology are strictly prohibited except in compliance with all applicable export laws and regulations.
- ▶ Product may include products subject to foreign exchange and foreign trade control laws.
- ▶ Please contact your TOSHIBA sales representative for details as to environmental matters such as the RoHS compatibility of Product. Please use Product in compliance with all applicable laws and regulations that regulate the inclusion or use of controlled substances, including without limitation, the EU RoHS Directive. **TOSHIBA ASSUMES NO LIABILITY FOR DAMAGES OR LOSSES OCCURRING AS A RESULT OF NONCOMPLIANCE WITH APPLICABLE LAWS AND REGULATIONS.**

# TOSHIBA

**TOSHIBA CORPORATION**

Semiconductor & Storage Products Company

Website: <http://www.semicon.toshiba.co.jp/eng>