

# Buccaneer 6000 Series Waterproof Connector

## For Power - Thermoplastic Body

### Wiring and Assembly instructions



#### IMPORTANT - PLEASE READ

It is important that these instructions are fully complied with to ensure this product is completely watertight and electrically safe - IF IN DOUBT CONSULT A QUALIFIED ELECTRICIAN.

Always wire socket insert to supply, wire plug insert to appliance.

However plug/socket inserts can be fitted into any style of main body to give correct plug/socket combination for your application.

Do not twist bodies when unmating connector, ensure a linear pull is applied.

#### Cable Glands

To ensure the correct cable sealing pairs of cable glands and collets are available to accurately fit cable diameters from 4.0mm up to 10.0mm. It is important to match the correct gland to the cable used, these are:

Cable diameter	Gland Colour
4.0-5.0mm	Dark Grey
5.0-7.0mm	White
7.0-9.0mm	Yellow
9.0-10.0mm	Light Grey

#### Ratings

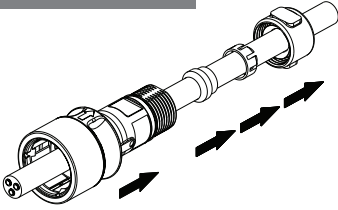
Poles:	2	3	8	16	22
Current Rating:	16A	12A	10A	3A	3A
Voltage Rating:	277V	277V	277V	60V	60V
Conductor accommodation:	14-18 AWG	14-18 AWG	18-20 AWG	22-26 AWG	22-26 AWG
metric equivalents:	2.0-0.75mm <sup>2</sup>	2.0-0.75mm <sup>2</sup>	0.75-0.5mm <sup>2</sup>	0.33-0.14mm <sup>2</sup>	0.33-0.14mm <sup>2</sup>



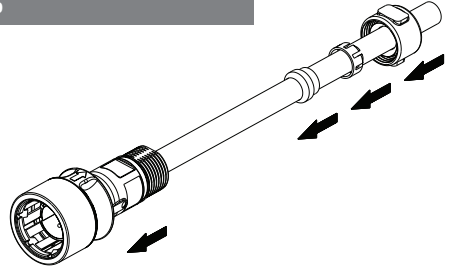
[www.elektron-bulgin.com](http://www.elektron-bulgin.com)

For full technical specification visit: [www.elektron-bulgin.com](http://www.elektron-bulgin.com)

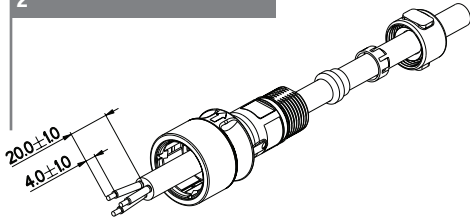
1



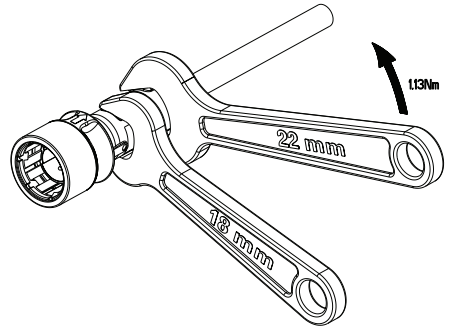
5



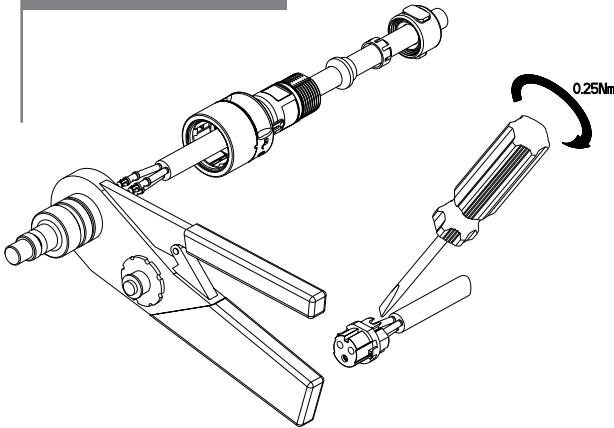
2



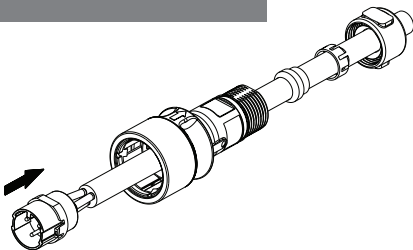
6



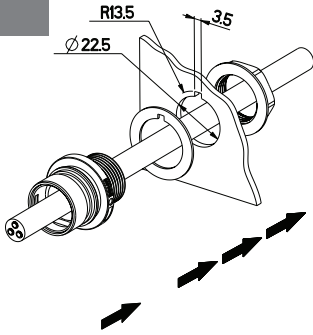
3



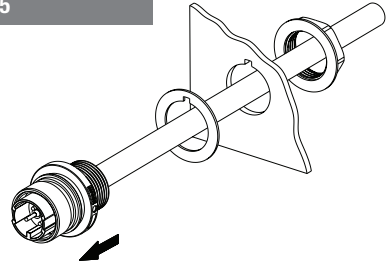
4



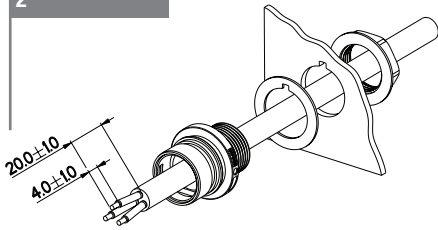
1



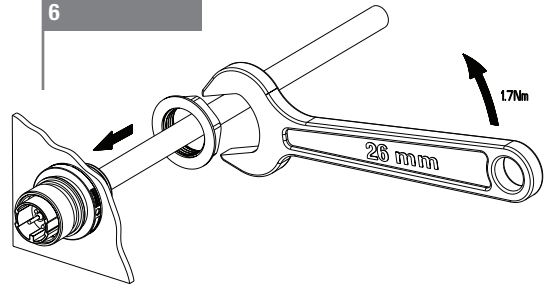
5



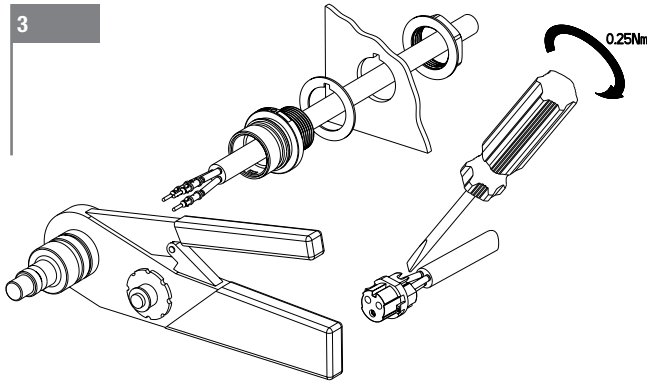
2



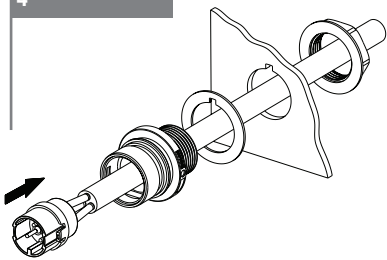
6



3

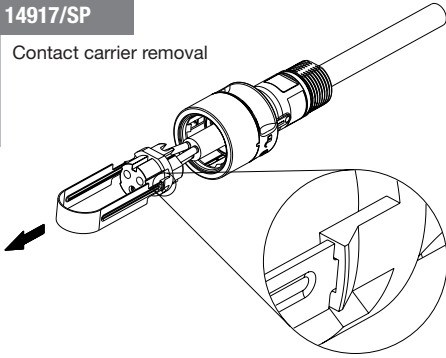


4



14917/SP

Contact carrier removal



14944-45-46

Contact pin/socket extraction

