

MX64™ Sealed Connectors



- Miniature sealed connector system designed for transportation devices
- USCAR footprint
- .64mm 7A terminals
- 18-22 AWG metric wire
- Use mat wire seals
- Accepts various terminals
 - Molex MX64
 - Molex or Tyco GET (Ford)
 - Yazaki .64mm Kaizan (GM)



Features and Benefits

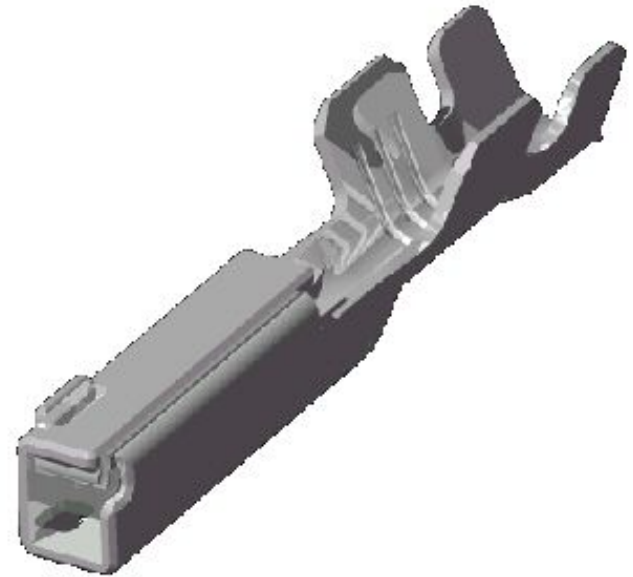
- **Available circuit size designs:**
 - 1x2, 1x3, 1x6,
 - Adopted as the USCAR single row footprint
 - Female housings only – mates with USCAR male connectors
- **Will accommodate various terminal systems**
 - MX64
 - Molex or Tyco GET
 - Yazaki Kaizan
- **18-22 AWG and .75-.35 mm² Metric Wire**
- **CPA option**
- **4 polarization options**
- **Matte seal design**
- **Common connector housing**
 - Can accept any terminal housing design
 - Molded circuit pegs can be left in during the Molex assembly process to seal voided circuits
 - Eliminates separate rear seal cover



Molex Terminals



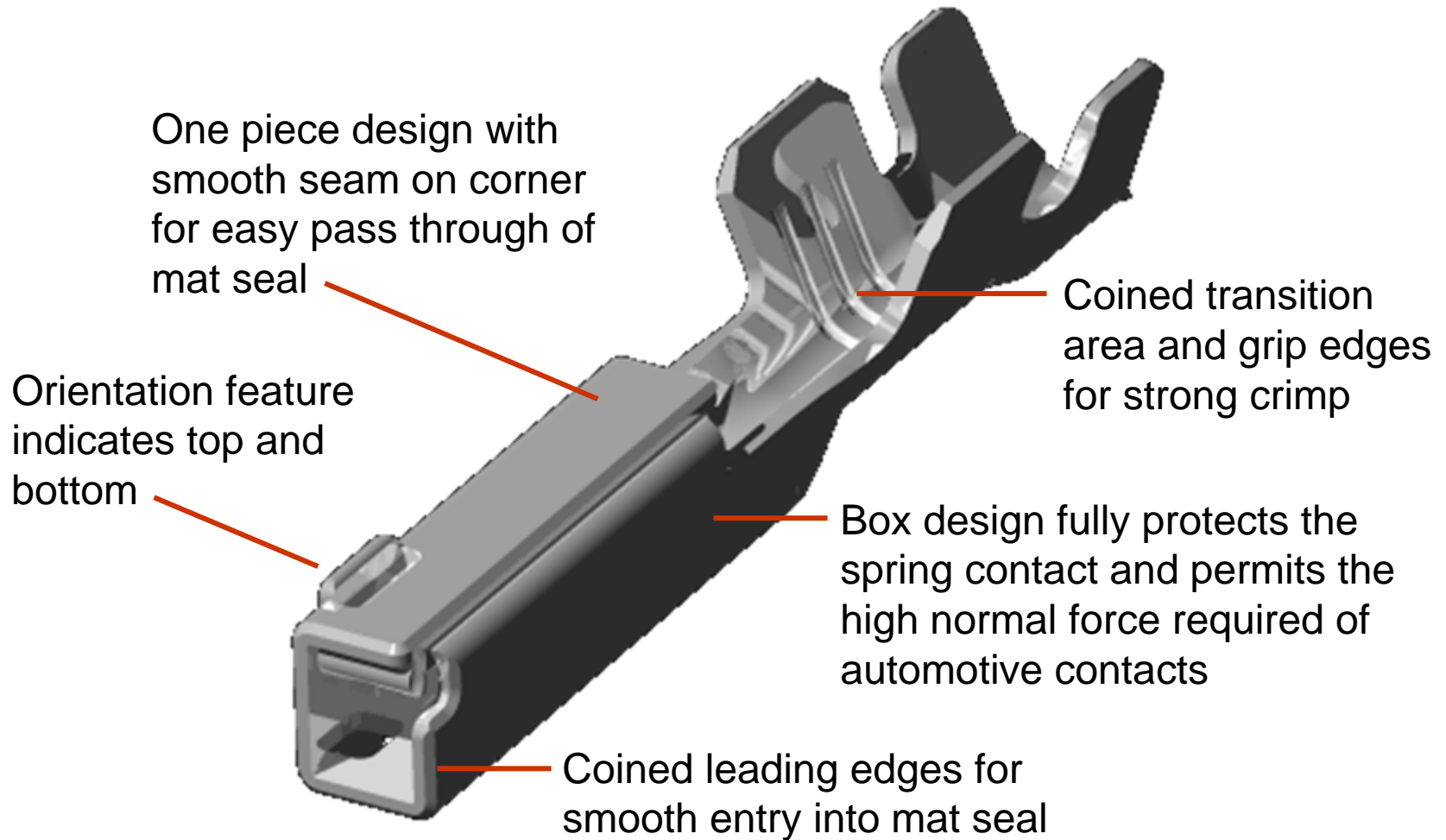
- **.64mm USCAR terminal**
- **Smallest size Molex offers**
- **Used in many automotive connectors including MX123**
- **Features are typical of USCAR terminals**
- **Simple design allows very efficient manufacturing**
- **Multiple configurations**
 - Gold plating
 - 18/20 AWG
 - 22 AWG



Molex Terminals



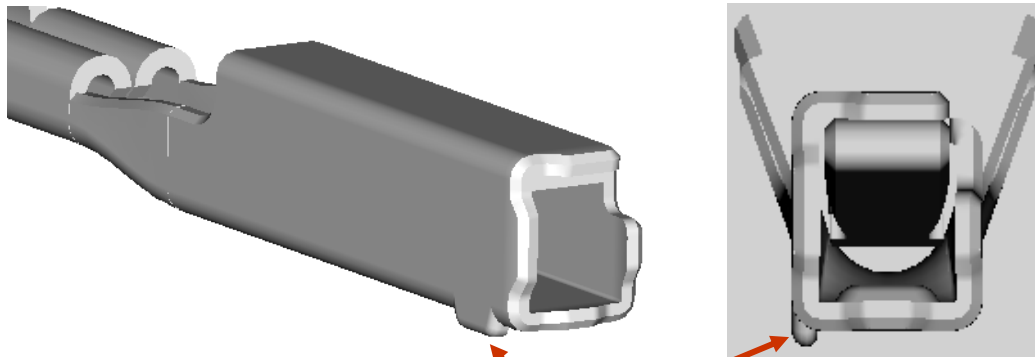
MX64™ features (typical of USCAR terminals)



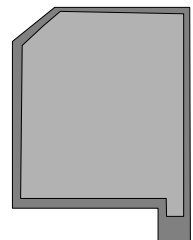
Molex Terminals



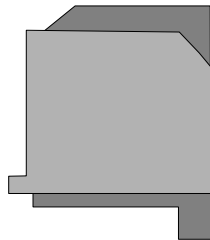
MX64 receptacle terminals



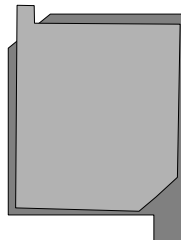
Orientation tab



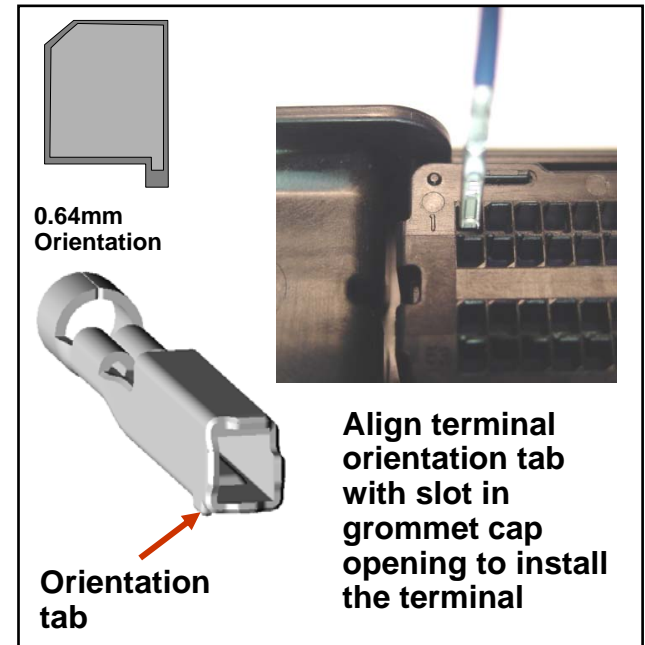
Correct Orientation



90° Misorientation
Lock-out



180° Misorientation
Lock-out



0.64mm
Orientation

**Orientation
tab**

**Align terminal
orientation tab
with slot in
grommet cap
opening to install
the terminal**

Orientation of receptacle terminal during insertion to grommet seal cover

Molex Terminals



MX64™ receptacle terminals – interior features

- Reinforced beam design provides high contact normal force
- Very simple and effective contact overstress protection -- material thickness

