

HSAutoLink™

**High Speed In-Vehicle Data Bus
and
General Purpose Latching Differential
Cable Link**



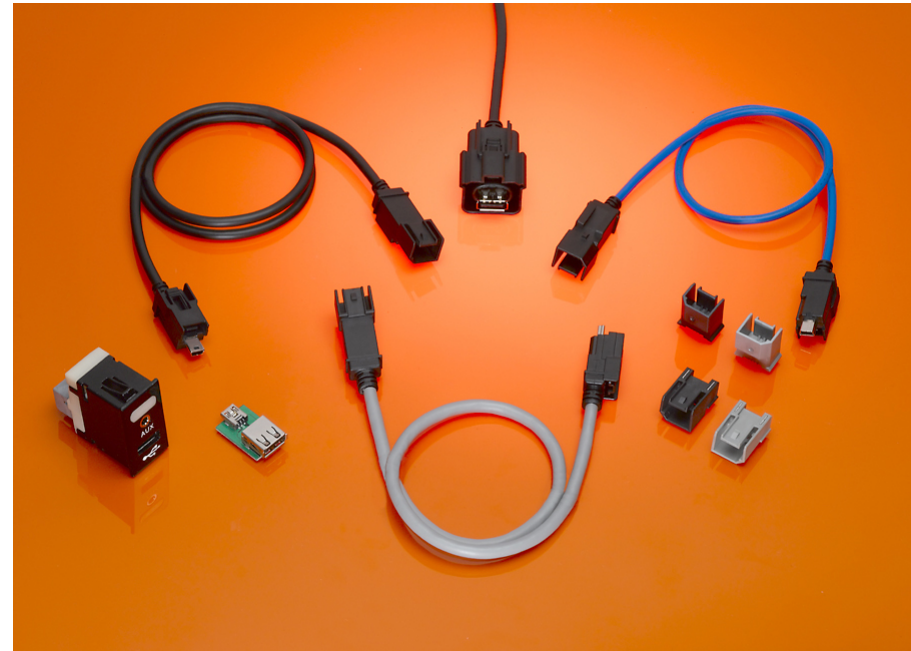
Molex Roadmap



- **HSAutoLink™** Family of Products positioned to service current and next generation embedded high speed requirements.
- **Supports multiple networks & growing**
 - USB
 - LVDS
 - 1394

■ Applications

- Infotainment
- Telematics devices
- Safety cameras
- Other in-vehicle applications
- Other equipment where latching is required



HSAutoLink™ In-Vehicle Data Bus

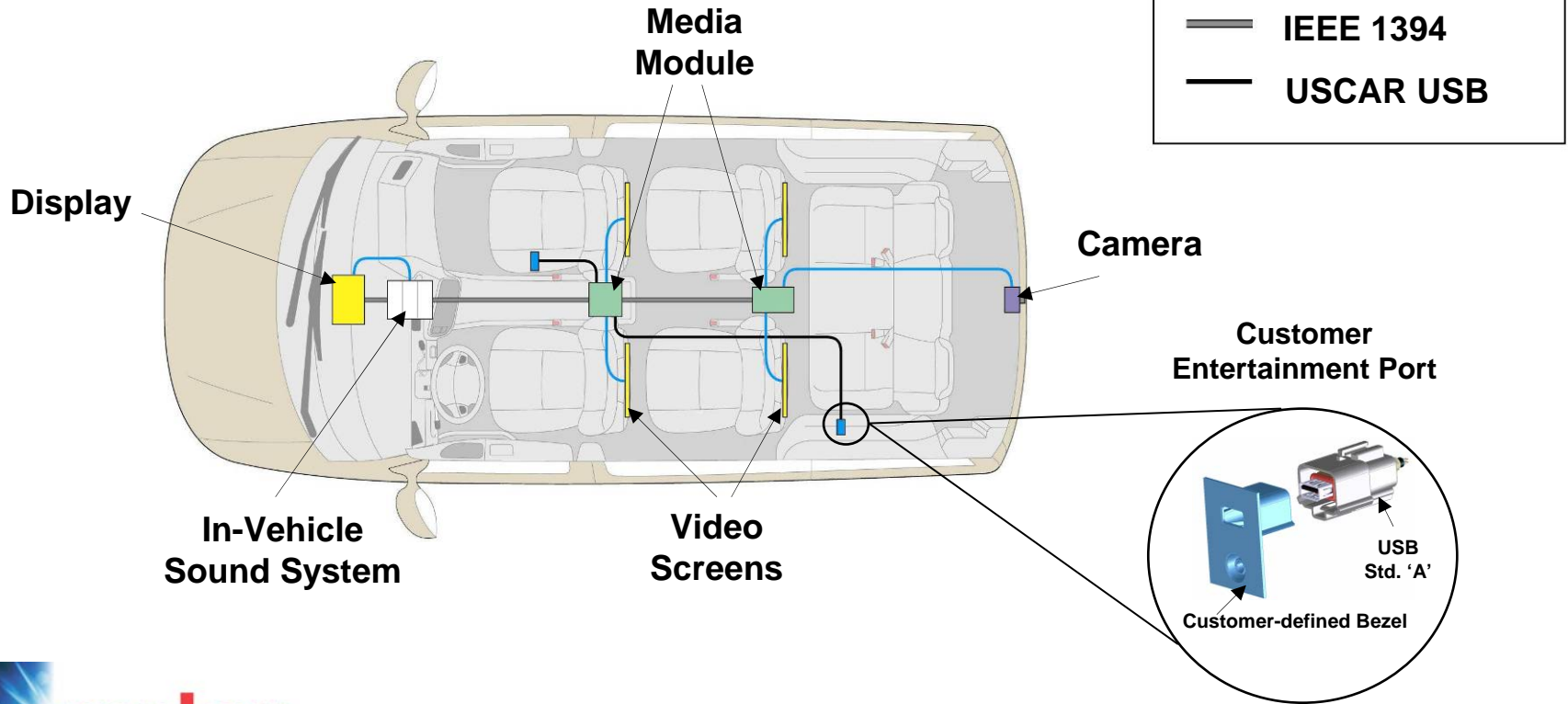


■ In Vehicle – “Infotainment Data Bus”

– Multiple technologies

- Existing and in development . . .

Vehicle Infotainment Illustration



Cable Options for *USB applications only.*



Cable 1: HSAutoLink to Standard A (Type with Thumb latching Shroud)



PN: 111015 - Series



Bezel Mount

Cable 2: HSAutoLink to Standard A (Type with no Thumb latching Shroud)



PN: **111083** - Series



Bezel Mount

Cable 3: HSAutoLink to Standard A (Type with Overmold)



PN: **111082** - Series



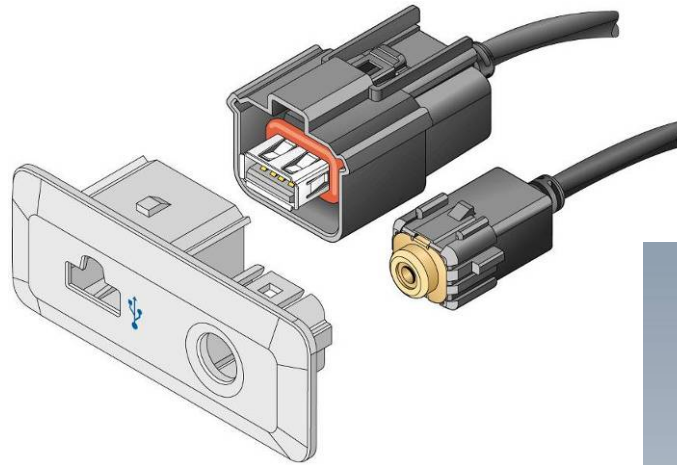
Over molded

Cable Differentiators



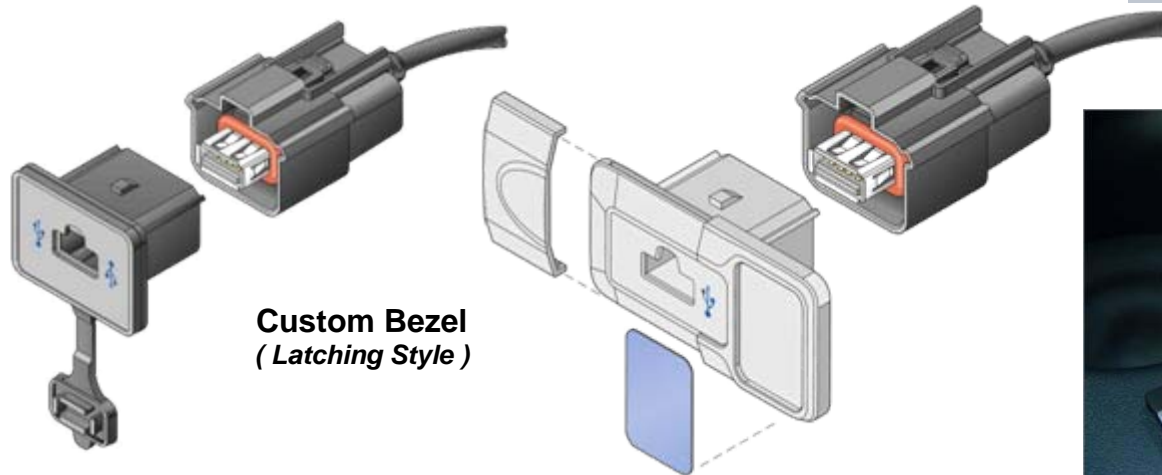
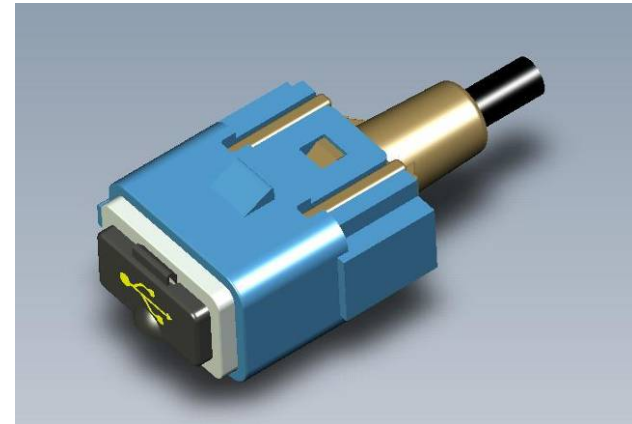
- **Benefits of Standard A with thumb latch**
 - Rubber grommet for extreme vibration and shock environments – (not sealed)
 - Easy to mate and unmate without the use of a specific tool.
- **Benefits of Standard A without latch**
 - Reduced footprint
 - Reduced parts and cost
 - Still applicable for high vibration applications
- **Benefits of over molded only**
 - Floating connection point – no convenience ports needed

Custom Convenience Ports



Combination / USB / Aux Jack

Customized – CCP Bezel



Custom Bezel
(Latching Style)



HSAutoLink™ In-Vehicle Data Bus



■ Custom Electronic Modules

– Molex actively engaged with “Up-Integration” projects – Design to Fabrication

- USB inputs
- USB booster (repeater)
- Power/Analog in/out
- AUX Jack
- SD Card
- Consumer USB Port (s)



HSAutoLink™
(USCAR USB Headers)

PCB Design and
Manufacturing Capability