



ASCENDIA

High Performance
LED Module

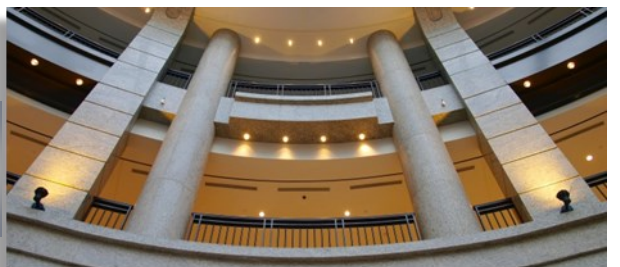
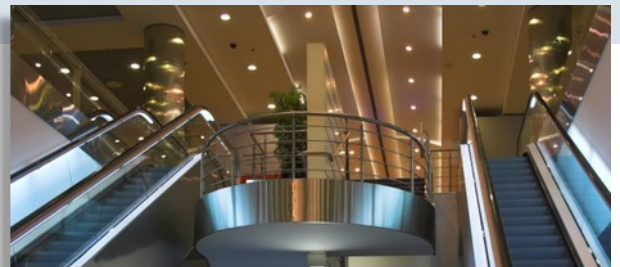


Versatile. Configurable. Flexible.

Delivering up to 8800 lumens and 115 lm/W, Ascendia offers luminaire manufacturers a low profile module that easily integrates into cylinders, pendants and recessed or surface mount downlight fixtures. This 8" module has a light emitting aperture of 5.31" making it compatible for use in apertures 6" or greater.

Designed for mounting heights to 40 feet, Ascendia provides bright, uniform illumination, energy savings and a maintenance-free alternative to many HID sources.

Ascendia is a UL8750 recognized Class 1 LED module available in three color temperatures (3000 K, 3500 K and 4000 K) and four beam angles (15°, 20°, 43° and 80°).



*Transforming Your Vision
into Higher Performance Solutions*

Ascendia

Key Features

- High lumen output, up to 8800 lumens
- Efficacy of up to 115 lm/W
- Individual TIR optics for 15°, 20°, 43° and 80° beam angles
- Color Temperatures: 3000 K, 3500 K and 4000 K
- Top or side wiring ports for easy integration into fixtures
- Suitable for damp locations
- UL 8750 recognized Class 1
- Mercury and UV Free, RoHS compliant
- 80+ CRI standard; 90+ CRI optional
- 8" module is compatible with apertures of 6" or greater
- 5 year warranty

Product Features

Wiring

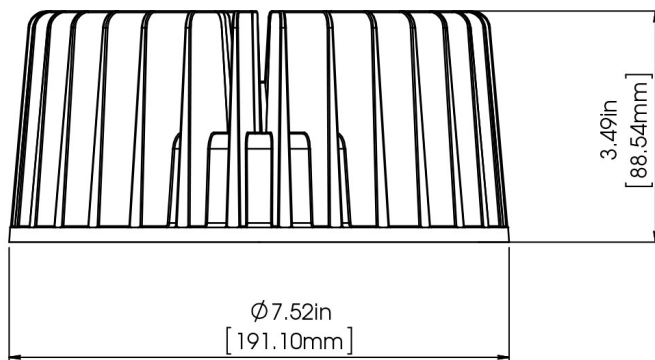
- Top wiring port includes 15" armored aluminum BX cable
- Side wiring port includes 18" jacketed 18-gage wire and a cable gland strain relief connector

Heat Sink

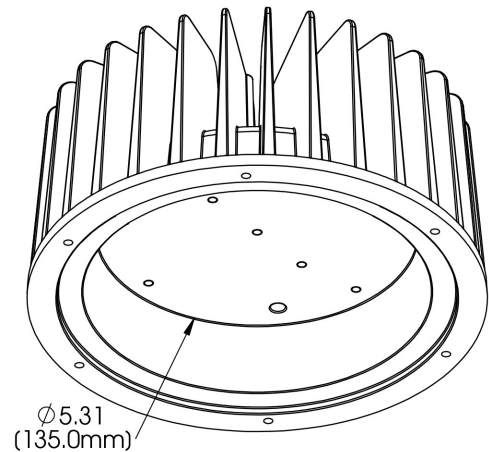
- Rugged die cast aluminum heat sink efficiently removes heat for reliable operation

Certification and Compliance

- IESNA LM-79 tested by an independent laboratory
- UL 8750 recognized Class 1
- Lumen maintenance tested per LM80
- Environmentally compliant per RoHS directive



4.11 lbs. (1.86 kg)



Light Emitting Aperture



Maximum Operating Conditions

Ambient Temperature °C	35°
Case Temperature °C	80°
<i>Operation beyond recommended temperatures may result in reduced product life</i>	

Luminous Flux at 3500 K @ 25° C

Constant Current	Forward Voltage	Power Consumption Watts	15°	20°	43°	80°
700 ma	45.42	31.8	3323	3323	3345	3274
1050 ma	46.88	49.2	4715	4715	4748	4645
1400 ma	48.15	67.4	5956	5956	5998	5869
2100 ma	50.40	105.8	8082	8082	8138	7963

Delivered lumens multiplier 3000 K = 1.000 and 4000 K = 1.0839



Ordering Information

Example: JDHT8R-A0230-8020-S00-NSA

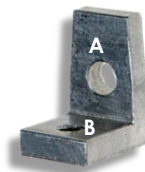
Internal	Series	Internal	Color Temperature (Kelvin)	Minimum CRI*	Beam Angle	Wiring Port Location	Internal	Internal
JDHT	8R	A02	30 35 40	80	15 20 43 80	T Top S Side	00	NSA

*90+ CRIs available; please contact Heatron for design assistance

Mounting Accessories

Side Mounting L Bracket: Part number **H6164**

- Aluminum bracket attaches to housing flange for integration into lighting fixtures
- 0.59" length; 0.79" height
- Mounting holes A: 10-24UNC; B: Ø0.20"
- 2 brackets per kit



Top Mounting 3 Leg Bracket: Part number **H6165**

- Aluminum bracket attaches to top of housing for integration into pendant and cylinder style fixtures
- 0.98" height
- Ø0.79" center hole diameter
- 3 mounting holes: Ø0.19"
- 1 bracket per kit



In the effort to improve our products, Heatron reserves the right to make changes.



About Heatron LED Integration

Heatron LED Integration, a leader in LED lighting solutions, helps OEMs reduce cost and speed time to market while ensuring superior quality and performance. Our proficiency in the disciplines of optical, electrical and mechanical design, along with expertise in thermal management, provides you with a world-class LED light source.

Heatron offers various levels of integration ranging from the design and manufacture of LED light engine components to assisting customers with the design of complete LED lighting fixtures for commercial and industrial lighting applications.

Transforming Your Vision into Higher Performance Solutions. For more information about Heatron LED Integration, its products, services and manufacturing, visit www.heatron.com.

3000 Wilson Avenue
Leavenworth, KS 66048-4637 USA
877.553.9070
P: 1.913.651.4420 • F: 1.913.651.5352
www.heatron.com • sales@heatron.com
ISO 9001:2008 Registered Rompany

