

**Connectivity Solutions for  
Industrial Automation**



**ALPHA CONNECT**



**AlphaWire**

*Cables you trust. Service you deserve.*

# Table of Contents

<b>Introduction</b>	<b>3</b>
<b>Cordsets</b>	
<b>M8 Connectors</b>	<b>6</b>
<b>M12 Connectors</b>	<b>7</b>
<b>MINI 7/8" Connectors</b>	<b>9</b>
<b>Ethernet Connectors (RJ45 and M12 to RJ45)</b>	<b>10</b>
<b>M23 Connectors</b>	<b>11</b>
<b>Distribution Boxes</b>	
<b>M12 I/O Connectors</b>	<b>12</b>
Thermoplastic Housings	
Die-Cast Housings	<b>13</b>
Stainless Steel Housings	<b>14</b>
<b>M8 I/O Connectors</b>	<b>15</b>
Thermoplastic Housings	
<b>Connectors</b>	
<b>Field Attachable</b>	<b>17</b>
M8, M12, MINI 7/8"	
<b>Receptacle</b>	<b>18</b>
M8, M12, MINI 7/8"	
<b>Splitters</b>	<b>19</b>

Request free samples at [www.alphawire.com/sample](http://www.alphawire.com/sample)

Alpha Wire now makes it easier to achieve reliable, high-performance industrial connectivity. Alpha Connect provides an end-to-end solution for connecting sensors and actuators on the factory floor. Alpha Connect ensures safe and reliable communication in industrial environments to decrease downtime and increase productivity.



- Passive distribution boxes with up to twelve M8 or eight M12 ports
- Two-way splitters
- Cordsets with M8, M12, M23, MINI, RJ45 connectors
- Receptacle connectors
- Field attachable connectors

#### Easy to Use

Distribution boxes mount conveniently at the machine, simplifying wiring and saving space. Boxes are available with or without LED indicators. To speed maintenance and repairs, LEDs simplify troubleshooting to find errors and system malfunctions.

The compact distribution boxes save you space in several ways. They consolidate and simplify wiring from sensors/actuators to the controller. They also eliminate the need for additional enclosures. Some modules support two I/O channels per port so that an 8-port box can handle 16 signals.

Rugged overmolded cordsets, available with connectors on one or both ends, provide a plug and play solution in seven standard lengths to allow shorter installation times. Our field attachable connectors include either solder cups or screw termination for easy field installation to decrease human error.

#### Easy to Get

With a large in-stock inventory, we make it easy to get the products you need fast.

#### Mechanically and Environmentally Rugged

Alpha Connect products are designed for the factory floor, with industrial temperature ranges, IP67 sealing, and resistance to vibration, shock, and other hazards. Because the Alpha Connect system offers environmental sealing, the need for additional enclosures is eliminated.

#### Stainless Steel for Food and Beverage Applications

Stainless-steel models combine IP69K protection and washdown capabilities with additional protection against corrosion and aggressive chemical and cleaning agents.





## Flexible Cordsets

### Configurations

**Connectors:** Terminated one or both ends

**M8:** 3 and 4 conductors

**M12:** 3, 4, 5, 8, and 12 conductors

**M12 D Code:** 2 pairs, Ethernet

**M12 to RJ45 Ethernet:** 4 pairs

**M23:** 12 and 19 conductors

**MINI 7/8":** 3, 4, and 5 conductors

**RJ45 Ethernet:** 2 pairs, shielded or unshielded

### Cables

**mPPE Insulation, ZH-PUR Jacket,** 22 AWG (AWM 21959)

**SR-PVC Insulation, -40°C Premium PVC Jacket,** 18 AWG (AWM 2661)

**SR-PVC Insulation, TPE Jacket,** 18 AWG (PLTC, AWM 20327)

**SR-PVC Insulation, PVC Jacket,** 24 AWG

**PVC/Nylon Insulation, TPE Jacket,** 16 AWG (TC-ER)

**PO Insulation, TPE Jacket,** Cat 5e 24 AWG (CMR, CMG)

**PP Insulation, ZH-PUR Jacket,** 24 AWG (AWM 20549/21198)

## Passive Distribution Boxes

### Materials

**Housing:** Die-cast zinc, TPU or stainless steel

**Contacts:** Copper alloy, plated gold over nickel

### Environmental

**Temperature Range:** Up to +80°C

**Sealing:** IP67/IP69K

### Electrical

**Nominal Current at +40°C:**

1.5 A to 4 A per port and up to 12 A per module

**Nominal Voltage:** 10 to 30 VDC

### Configurations

**M8:** 4, 6, 8, 10, or 12 ports

**M12:** 4, 6, 8 ports

**Channels per Port:** 1 or 2

**LEDs per Port:** With or without

**Cabled:** with 5 m or 10 m homerun cable for direct attachment to controller or similar device

**Connectorized:** with M12 or M23 connector integrated in housing to accept Alpha Wire cable or cordsets



# Cordset Part Numbering System



**J W 03 0 0 107**

## CONNECTOR TYPE, END 1

- O** Unterminated / Cut End
- A** M12 Female
- D** M12 Male
- E** M23 Female
- F** M23 Male
- G** M8 Female
- H** M8 Male
- J** MINI Female, 7/8" External Thread
- K** MINI Female, 7/8"
- L** MINI Male, 7/8"
- P** MINI Male, 7/8" Internal Thread
- Q** RJ45

## CONNECTOR STYLE, END 1

- O** Unterminated / Cut End
- R** Straight
- W** Right Angle (90°)
- C** Receptacle

## NUMBER OF POLES

**3, 4, 5, 8**

## CONNECTOR TYPE, END 2

- O** Unterminated / Cut End
- A** M12 Female
- D** M12 Male
- E** M23 Female
- F** M23 Male
- G** M8 Female
- H** M8 Male
- J** MINI Female, 7/8" External Thread
- K** MINI Female, 7/8"
- L** MINI Male, 7/8"
- P** MINI Male, 7/8" Internal Thread
- Q** RJ45

## CONNECTOR STYLE, END 2

- O** Unterminated / Cut End
- R** Straight
- W** Right Angle (90°)
- C** Receptacle

## CABLE TYPE

(Unshielded unless noted)

**mPPE Insulation, ZH-PUR Jacket, 22 AWG (AWM 21959)**

- 100** 3 Conductor
- 101** 4 Conductor
- 102** 5 Conductor
- 123** 8 Conductor

**SR-PVC Insulation, -40°C PVC Jacket, 18 AWG (AWM 2661)**

- 103** 8 Conductor, 24 AWG
- 104** 3 Conductor
- 105** 4 Conductor
- 106** 5 Conductor

**SR-PVC Insulation, TPE Jacket, 18 AWG (PLTC, AWM 20327)**

- 107** 3 Conductor
- 108** 4 Conductor
- 109** 5 Conductor
- 112** 8 Conductor, 22 AWG

**PVC/Nylon Insulation, TPE Jacket, 16 AWG (TC-ER)**

- 113** 3 Conductor, 16 AWG
- 114** 4 Conductor, 16 AWG
- 115** 5 Conductor

**PO Insulation, TPE Jacket, 24 AWG (CMR, CMG)**

- 117** 4 Conductor
- 118** 4 Conductor, Foil/Braid Shield

**PP Insulation, ZH-PUR Jacket, 24 AWG (AWM 20549/21198)**

- 124** 8 Conductor
- 125** 12 Conductor
- 126** 12 Conductor, Composite
- 127** 19 Conductor, Composite

**SR-PVC Insulation, PVC Jacket, 24 AWG**

- 128** 8 Conductor, Foil/Braid Shield



# Flexible Cordsets

## M8 Connectors



Widely used in industrial automation and factory floor applications, M8 connectors provide a compact size that enables cleaner cable management.

**EcoFlex® PUR Cable: mPPE Insulation, Slate Zero-Halogen Polyurethane Jacket**

**22 AWG (26/36) Bare Copper Conductors**

**AWM 21959 • UL Sun Res • 60C Oil Res**

**IP67, IP68/NEMA 6P Protection • -50°C to +90°C • 600 V**

**Bend Radius: 4x Static, 5x Dynamic • 5 Million Flex Life Cycles**



Configuration		Part Number	
End 1	End 2	3 Poles	4 Poles
Female	Cut	GR0300100	GR0400101
Female, 90°	Cut	GW0300100	GW0400101
Male	Cut	HR0300100	HR0400101
Female	Male	GR03HR100	GR04HR101
Male	Female, 90°	HR03GW100	HR04GW101

Standard Lengths: 0.6, 1, 3, 5, 10, 15, and 20 m

## M8-to-M12 Cordsets

**EcoFlex® PUR Cable: mPPE Insulation, Slate Zero-Halogen Polyurethane Jacket**

**22 AWG (26/36) Bare Copper Conductors**

**AWM 21959 • UL Sun Res • 60C Oil Res**

**IP67, IP68/NEMA 6P Protection • -50°C to +90°C • 600 V**

**Bend Radius: 4x Static, 5x Dynamic • 5 Million Flex Life Cycles**

Configuration		Part Number	
M12 End	M8 End	3 Poles	4 Poles
Male	Female	DR03GR100	DR04GR101
Male	Female, 90°	DR03GW100	DR04GW101

# Flexible Cordsets

## M12 Connector



Our M12 cordsets handle flex applications up to 5 million flex life cycles. They are available in 300 V and 600 V versions with a range of materials to meet your application conditions.

### mPPE Insulation, Slate Zero-Halogen Polyurethane Jacket

22 AWG (26/36) Bare Copper Conductors

AWM 21959 • UL Sun Res • 60C Oil Res

IP67, IP68/NEMA 6P Protection • -40°C to +105°C • 600 V

Bend Radius: 4x Static, 5x Dynamic • 5 Million Flex Life Cycles

Configuration		Part Number			
End 1	End 2	3 Poles	4 Poles	5 Poles	8 Poles
Female	Cut	AR0300100	AR0400101	AR0500102	AR0800123
Female, 90°	Cut	AW0300100	AW0400101	AW0500102	AW0800123
Male	Cut	DR0300100	DR0400101	DR0500102	DR0800123
Male	Female	DR03AR100	DR04AR101	DR05AR102	DR08AR123
Male	Female, 90°	DR03AW100	DR04AW101	DR05AW102	DR08AW123

Standard Lengths: 0.6, 1, 3, 5, 10, 15, and 20 m

### SR-PVC Insulation, -40°C Slate PVC Jacket

22 AWG (26/36) Bare Copper Conductors

AWM 21959 • UL Sun Res • 60C Oil Res

IP67, IP68/NEMA 6P Protection • -40°C to +105°C • 300 V

Bend Radius: 7x Static, 10x Dynamic • 5 Million Flex Life Cycles

Configuration		Part Number			
End 1	End 2	3 Poles	4 Poles	5 Poles	8 Poles (24 AWG)
Female	Cut	AR0300104	AR0400105	AR0500106	AR0800103
Female, 90°	Cut	AW0300104	AW0400105	AW0500106	AW0800103
Male	Cut	DR0300104	DR0400105	DR0500106	DR0800103
Male	Female	DR03AR104	DR04AR105	DR05AR106	DR08AR103
Male	Female, 90°	DR03AW104	DR04AW105	DR05AW106	DR08AW103

Standard Lengths: 0.6, 1, 3, 5, 10, 15, and 20 m

### SR-PVC Insulation, Slate TPE Jacket

22 AWG (41/34) Bare Copper Conductors

PLTC • AWM 20327

IP67, IP68/NEMA 6P Protection • -40°C to +105°C • 300 V

Bend Radius: 7x Static, 10x Dynamic • 5 Million Flex Life Cycles

Configuration		Part Number
End 1	End 2	8 Poles
Female	Cut	AR0800112
Female, 90°	Cut	AW0800112
Male	Cut	DR0800112
Male	Female	DR08AR112

Standard Lengths: 0.6, 1, 3, 5, 10, 15, and 20 m

# Flexible Cordsets

## M12 Connector



### Polypropylene Insulation, Slate Zero-Halogen PUR Jacket

24 AWG (19/36) Bare Copper Conductors • Braid Shield, 85% Coverage

AWM 20549/21198 • 300 V

Bend Radius: 5x Static, 10x Dynamic • 2 Million Flex Life Cycles

Configuration		Part Number	
End 1	End 2	8 Poles	12 Poles
Female	Cut	AR0800124	AR1200125
Female, 90°	Cut	AW0800124	AW1200125
Male, Internal Threads	Cut	DR0800124	—
Male, Internal Threads	Female	DR08AR124	—

Standard Lengths: 0.6, 1, 3, 5, 10, 15, and 20 m

### SR-PVC Insulation, Slate PVC Jacket, Foil + Braid Shield

24 AWG (7/32) Bare Copper Conductors

AWM 2661

IP67, IP68/NEMA 6P Protection • -40°C to +105°C • 300 V

Bend Radius: 8x

Configuration		Part Number
End 1	End 2	8 Poles
Female	Cut	AR0800128
Male, Internal Threads	Cut	DR0800128
Male, Internal Threads	Female	DR08AR128

Standard Lengths: 0.6, 1, 3, 5, 10, 15, and 20 m



# Flexible Cordsets

## MINI 7/8" Connectors



MINI 7/8" connectors are an industry-standard midpower connectors used for sensor and actuator connection in harsh industrial environments. Easily identified by the yellow color, the connectors are widely used with well-established protocols such as PROFIBUS. Our 7/8" cable assemblies are available in both 300 V PLTC and 600 V TC-ER versions in a variety of configurations. Cables use finely stranded conductors to help achieve 5 million flex life cycles.

### SR-PVC Insulation, TPE Jacket

18 AWG Stranded (41/34) Bare Copper Conductors

PLTC, AWM 20327

IP67, IP68/NEMA 6P Protection

-45°C to +80°C • 300 V

Bend Radius: 7x Static, 10x Dynamic • 5 Million Flex Life Cycles

Configuration		Part Number		
End 1	End 2	3 Poles	4 Poles	5 Poles
Female	Cut	KR0300107	KR0400108	KR0500109
Female, 90°	Cut	KW0300107	KW0400108	KW0500109
Male	Cut	LR0300107	LR0400108	LR0500109
Male, 90°	Cut	LW0300107	LW0300108	—
Male	Female	LR03KR107	LR04KR108	LR05KR109
Male	Female, 90°	LR03KW107	LR04KW108	LR05KW109

Standard Lengths: 0.6, 1, 3, 5, 10, 15, and 20 m



### PVC/Nylon Insulation, TPE Jacket

16 AWG (65/34) Bare Copper

TC-ER • UL Sun Res • UL Oil Res I/II

IP67, IP68/NEMA 6P Protection • -40°C to +105°C • 600 V

Bend Radius: 7x Static, 10x Dynamic • 5 Million Flex Life Cycles

Configuration		Part Number		
End 1	End 2	3 Poles	4 Poles	5 Poles
Female	Cut	KR0300113	KR0400114	KR0500115
Female, 90°	Cut	KW0300113	KW0400114	KW0500115
Male	Cut	LR0300113	LR0400114	LR0500115
Male	Female	LR03KR113	LR04KR114	LR05KR115
Male	Female, 90°	LR03KW113	LR04KW114	LR05KW115
Male, Internal Thread	Cut	PR0300113	PR0400114	PR0500115
Male, Internal Thread	Female	PR03KR113	PR04KR114	PR05KR115
Male, Internal Thread	Female, 90°	PR03KW113	PR04KW114	PR05KW115

Standard Lengths: 0.6, 1, 3, 5, 10, 15, and 20 m

# Flexible Cordsets for Ethernet



Our Industrial Ethernet cables use D-Code M12 or RJ45 connectors and a 2-pair construction. They meet Cat 5e applications to support data rates up to 1 Gb/s. Choose between unshielded for smallest diameter or foil/braid shielding for signal integrity in noisy environments.

## M12 Ethernet Cordsets

**PO Insulation, Teal TPE Jacket**

**24 AWG (7/32) Tinned Copper Conductors**

**Unshielded: CMR, CMG • Shielded: AWM 20626**

**IP67, IP68/NEMA 6P Protection • -40°C to +75°C • 300 V**

**Bend Radius: 9x Unshielded, 11x Shielded • 5 Million Flex Life Cycles**

Configuration		Part Number	
End 1	End 2	4 Poles, Unshielded	4 Poles, Foil + Braid
Male	Female	DR04AR117	—
Male	Male	DR04DR117	DR04DR118
Female	Female	AR04AR117	—
Male, 90°	Female	DW04AR117	—
Male, 90°	Male	DW04DR117	—
Male, 90°	Male, 90°	DW04DW117	—

Standard Lengths: 0.6, 1, 3, 5, 10, 15, and 20 m



RJ45 to RJ45

## RJ45 Connectors and M12 to RJ45

**PO Insulation, Teal TPE Jacket**

**24 AWG (7/32) Tinned Copper Conductors**

**Unshielded: CMR, CMG • Shielded: AWM 20626**

**IP67, IP68/NEMA 6P Protection • -40°C to +75°C • 300 V**

**Bend Radius: 9x Unshielded, 11x Shielded • 5 Million Flex Life Cycles**

Configuration		Part Number	
End 1	End 2	Unshielded	Foil + Braid Shield
RJ45	RJ45	QR04QR117	QR04QR118
M12, Male	RJ45	DR04QR117	DR04QR118
RJ45	M12, Female	QR04AC117	QR04AC118
M12, Male, 90°	RJ45	DW04QR117	—

Standard Lengths: 0.6, 1, 3, 5, 10, 15, and 20 m



M12 Male to RJ45

# Cordsets

## M23 Connectors



M23 cordsets are designed for use with our connectorized distribution boxes as a homerun cable, or for power applications on the plant floor. The cables are used to connect distribution boxes to the PLC or other control device.

**PP Insulation, Black Zero-Halogen Polyurethane Jacket**  
**Composite 20 AWG (65/38) and 17 AWG (210/40) Conductors**  
**AWM 20549**  
**IP67, IP68/NEMA 6P Protection • -40°C to +80°C • 300 V**  
**Bend Radius: 5x Static, 10x Dynamic**

Configuration		Part Number	
End 1	End 2	12 Poles	19 Poles
Female	Cut	ER1200126	ER1900127
Female, 90°	Cut	EW1200126	EW1900127
Male	Cut	FR1200126	FR1900127
Male, 90°	Female, 90°	FW12EW126	FW19EW127

Standard Lengths: 5, 10, 15, and 20 m

## Bulk Cable

### Multiconductor Cable

Insulation	Jacket	Wire Size (Shielding)	No. of Conductors	Part No.
<b>Unshielded Cable</b>				
mPPE	ZH-PUR	22 AWG (26/36) BC	3	100
			4	101
			5	102
			8	123
SR-PVC	TPE	22 AWG (26/36) BC	8	112
			3	107
			4	108
			5	109
PVC/Nylon	TPE	16 AWG (65/34) BC	3	113
			4	114
			5	115
PP	ZH-PUR	20 AWG (65/38) BC 17 AWG (210/40) BC	8 (20 AWG) / 3 (17 AWG)	126
			16 (20 AWG) / 3 (17 AWG)	127
SR-PVC	-40°C Premium PVC	24 AWG (19/36) BC 22 AWG (26/36) BC	5	103
			3	104
			4	105
			5	106
<b>Braid Shielded Cable</b>				
PP	ZH-PUR	24 AWG (19/36) BC	8	124
			12	125
<b>Foil + Braid Shielded Cable</b>				
SR-PVC	-40°C Premium PVC	24 AWG (7/32) BC	8	128

## Ethernet Twisted-Pair Cable

### Cat 5e, 2 Pair

Cable Type:	Part No.	
	Unshielded	Foil + Braid
PO Insulation / TPE Jacket 24 AWG (7/32) TC conductors	117	118

# M12 Distribution Boxes

Thermoplastic Housings for Industrial Use



## Configuration

**Ports:** 4, 6, or 8 M12 receptacles

**Signals per Port:** 1 or 2

**Control Cable:** Black Polyurethane

**Control Connector:** M23

## Materials

**Housing:** Thermoplastic polyurethane, flame retardant

**Insert:** Glass-filled polyamide, flame retardant

**Contacts:** Copper zinc, plated gold over nickel

**Receptacle Shell:** Copper zinc, nickel plated

**O-Ring:** FKM fluoroelastomer

## Environmental

**Sealing:** IP67/NEMA 6P

**Temperature Range:** -15°C to +80°C

## Electrical

**Contact Resistance:** 5 mΩ max.

### Voltage Rating:

Without LEDs: 30 VDC

With LED: 10 to 30 VDC

**Current Rating:** 4 A Per Port / 12 A total

## Accessories (Included)

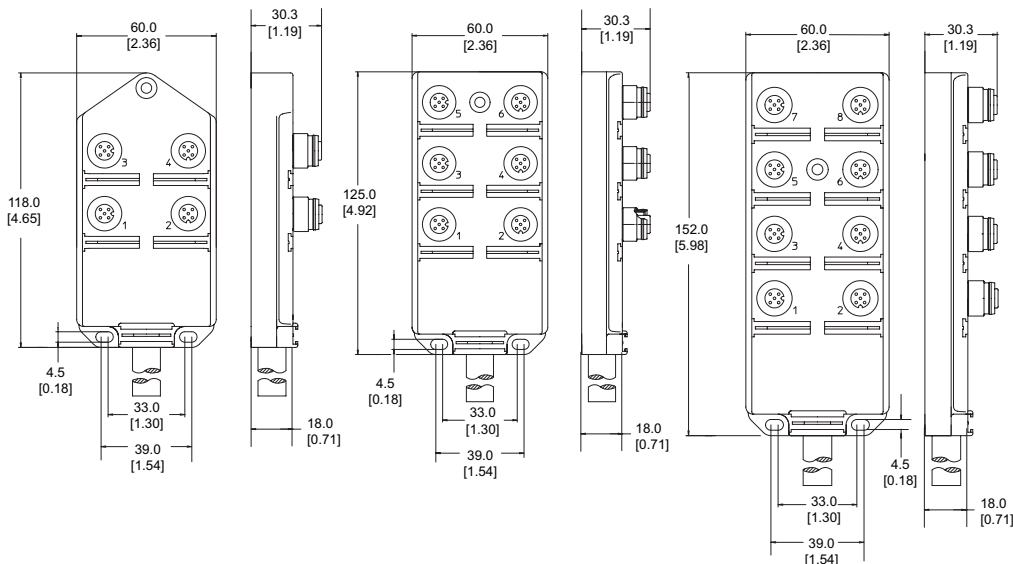
Dust Covers

Attachable Labels



Ports	Signals/Ports	LEDs	Part Number		
			Connectorized	5 m Cable	10 m Cable
4	1	Yes	916-CN	916-5M	916-10M
		No	—	917-5M	917-10M
	2	Yes	918-CN	918-5M	918-10M
		No	919-CN	919-5M	919-10M
6	1	Yes	912-CN	912-5M	912-10M
		No	913-CN	913-5M	913-10M
	2	Yes	914-CN	914-5M	914-10M
		No	915-CN	915-5M	915-10M
8	1	Yes	908-CN	908-5M	908-10M
		No	909-CN	909-5M	909-10M
	2	Yes	910-CN	910-5M	910-10M
		No	911-CN	911-5M	911-10M

Note: LEDs are wired for use with pNp sensors.



### 4 Ports

916, 917, 918, 919 Series

### 6 Ports

912, 913, 914, 915 Series

### 8 Ports

908, 909, 910, 911 Series

# M12 Distribution Boxes

Die-Cast Housings for Increased Ruggedness



## Configuration

**Ports:** 4-pole M12 receptacles  
**Signals per Port:** 1 or 2  
**Control Cable:** Black Polyurethane  
**Control Connector:** 12-pole M23 receptacle

## Materials

**Housing:** Die-Cast zinc  
**Potting:** 2K polyurethane  
**Insert:** M12: Glass-filled polyamide  
M23: PBT  
**Contacts:** Copper zinc, plated gold over nickel

## Environmental

**Sealing:** IP65/67  
**Temperature Range:** -40°C to +80°C (UL: 60°C max.)  
Dynamic Applications -25°C to +60°C

## Electrical

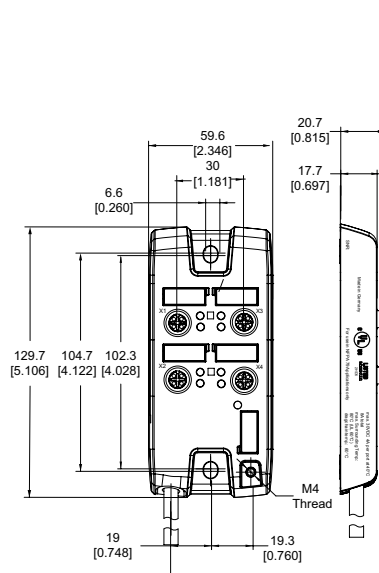
**Contact Resistance:** 5 mΩ max.  
**Voltage Rating:** 10 to 30 VDC  
**Current Rating:** 4 A per port / 12 A total

## Accessories (Included)

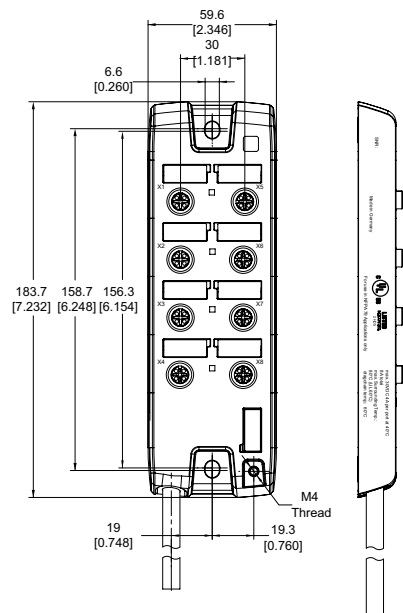
Dust Covers  
Attachable Labels

Ports	Signals/Ports	LEDs	Part Number		
			Connectorized	5 m Cable	10 m Cable
4	1	Yes	904-CN	904-5M	904-10M
		No	905-CN	905-5M	905-10M
	2	Yes	906-CN	906-5M	906-10M
		No	907-CN	907-5M	907-10M
8	1	Yes	900-CN	900-5M	900-10M
		No	901-CN	901-5M	901-10M
	2	Yes	902-CN	902-5M	902-10M
		No	903-CN	903-5M	903-10M

Note: LEDs are wired for use with pNp sensors.



**4 Ports**  
904, 905, 906, 907 Series



**8 Ports**  
908, 909, 910, 911 Series

# M12 Distribution Boxes

Stainless Steel Housings for Food/Beverage and Medical Applications



## Configuration

**Ports:** 8 M12 receptacles  
**Signals per Port:** 1  
**Control Cable:** Black Polyurethane

## Materials

**Housing:** Stainless steel, 360  
**Contact Insert:** PVC  
**Contacts:** Copper zinc, plated gold over nickel

## Mechanical/Environmental

**Sealing:** IP67/IP69K  
**Temperature Range:** -25°C to +70°C

## Electrical

**Rated Voltage:** 10 to 30 VDC  
**Rated Current:**  
 4 A per port  
 12 A total

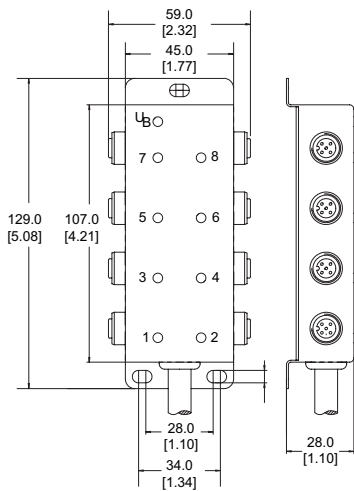
## Accessories (Included)

M12 Dust Covers  
 Attachable Labels



Ports	Signals/Ports	LEDs	Part Number	
			20 m Cable	10 m Cable
8	1	Yes	920-20M	920-10M

Note: LEDs are wired for use with pNp sensors.



**8 Ports**  
 920 Series



# M8 Distribution Boxes

Thermoplastic Housings for Industrial Use



## Configuration

**Ports:** 3-pole M8 receptacles

**Signals per Port:** 1

**Control Cable:** Black halogen-free polyurethane

**Control Connector:** 12-pole M12 receptacle

## Materials

**Housing:** Thermoplastic polyurethane, flame retardant

**Insert:** Glass-filled polyamide, flame retardant

**Contacts:** Copper zinc, plated gold over nickel

## Environmental

**Sealing:** IP67/NEMA 6P

**Temperature Range:** -15°C to +80°C

## Electrical

**Voltage Rating:**

With LED: 10 to 30 VDC

**Current Rating:** 4 A per port / 12 A total

## Accessories (Included)

Dust Covers

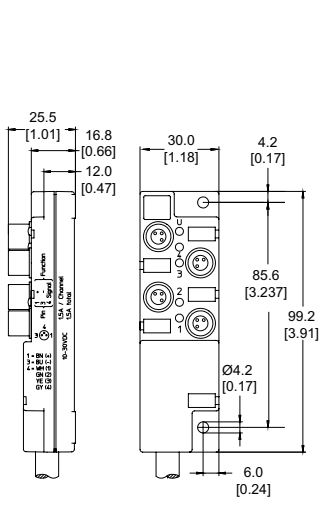
Attachable Labels

Ports	Signals/Ports	LEDs	Part Number		
			Connectorized	5 m Cable	10 m Cable
4	1	Yes	802-CN	802-5M	802-10M
6	1	Yes	803-CN	803-5M	803-10M
8	1	Yes	804-CN	804-5M	804-10M
10	1	Yes	800-CN	800-5M	800-10M
12	1	Yes	—	801-5M	801-10M

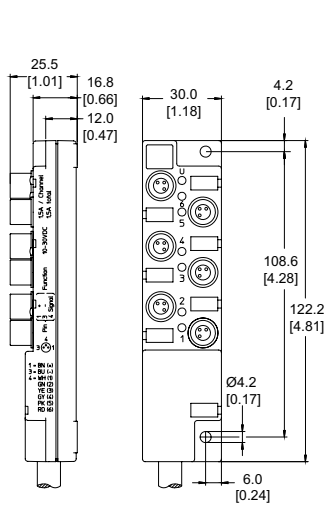
Note: LEDs are wired for use with pNp sensors.

# M8 Distribution Boxes

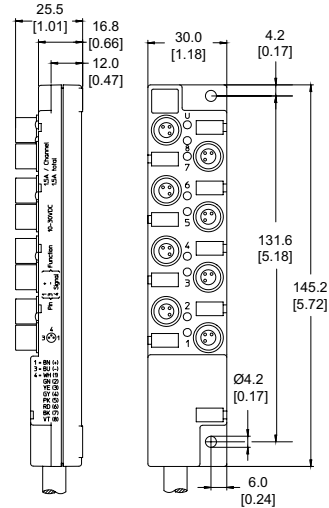
Thermoplastic Housings for Industrial Use



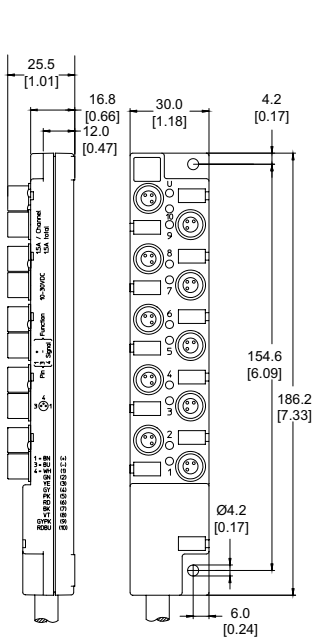
**4 Ports**  
802, 806 Series



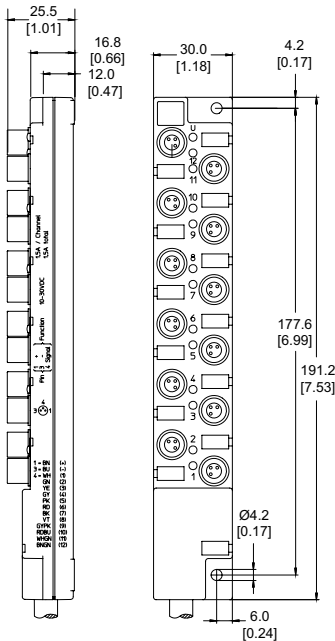
**6 Ports**  
803 Series



**8 Ports**  
804, 805 Series



**10 Ports**  
800 Series



**12 Ports**  
801 Series

# Field Attachable Connectors



## M8 Connectors

Style	Poles	Part Number
		0.138 - 0.197 Cable Dia.
Female	3	210GR
	4	211GR
Male	3	214HR
	4	215HR
Male, Solder Cup	3	212HR
	4	213HR

## M12 Connectors

Coupling Nut	Poles	Part Number		
		0.118 - 0.256 Cable Dia.	0.158 - 0.315 Cable Dia.	2 x 0.118 - 0.256 Cable Dia.
<b>Thermoplastic</b>				
Female	4	202AR7	202AR9	—
	5	203AR7	203AR9	—
Female, 90°	4	204AW7	204AW9	—
	5	206DR7	206DR7	—
Male	4	206DR7	206DR9	206DR2
	5	207DR7	207DR9	207DR2
Male, 90°	4	208DW7	—	—
	5	209DW7	—	—
<b>Stainless Steel</b>				
Female	4	200ARS7	—	—
Male	4	201DRS7	—	—



## MINI 7/8" Connectors

Style	Poles	Part Number			
		0.236 - 0.315 Cable Dia.	0.315 - 0.394 Cable Dia.	0.394 - 0.472 Cable Dia.	0.472 - 0.551 Cable Dia.
Female	3	216KR9	216KR11	216KR13	216KR16
	4	217KR9	217KR11	217KR13	217KR16
	5	218KR9	218KR11	218KR13	218KR16
Male, External Threads	3	219LR9	219LR11	219LR13	219LR16
	4	220LR9	220LR11	220LR13	220LR16
	5	221LR9	221LR11	221LR13	221LR16
Male, Internal Threads	3	222PR9	—	222PR13	222PR16
	4	223PR9	223PR11	223PR13	223PR16
	5	224PR9	224PR11	224PR13	224PR16

# Receptacle Connectors



## M8 Connectors, with 0.5 m Flying Leads

Style	Poles	Color Code	Part Number
			Front Mount
<b>PG7 Mounting Holes</b>			
Female	3	IEC	310GCF
	4	IEC	312GCF
Male	3	IEC	311HCF
	4	IEC	313HCF

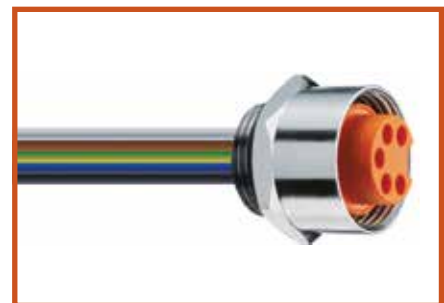
## M12 Connectors, with 0.5 m Flying Leads

Style	Poles	Color Code	Part Number	
			Rear Mount	Front Mount
<b>Thermoplastic: PG9 Mounting Holes</b>				
Female	4	IEC	301ACR	301ACF
	5	U.S.		303DCF
	5	IEC	304ACR	304ACF
Male	4	IEC	300DCR	300DCF
	5	IEC	302DCR	302DCF
<b>Thermoplastic: 1/2 NPT</b>				
Female	4	IEC		301ACN
	5	IEC		304ACN
Male	4	IEC		300DCN
	5	IEC		302DCN
<b>Stainless Steel: M16 Mounting Holes</b>				
Female	4	IEC		306ACFS
	5	IEC		309ACFS
Male	4	IEC		305DCFS*
	5	IEC		307DCFS*



## MINI 7/8" Connectors, with 0.3, 1, or 2 m Flying Leads

Style	Poles	Color Code	Part Number
			Front Mount
Female, External Threads	3	U.S.	314JCF
	4	U.S.	316JCF
	5	U.S.	318JCF
Female, Internal Threads	3	IEC	315JCF
	4	IEC	317KCF
	5	IEC	319KCF
Male, External Threads	3	U.S.	320LCF
		IEC	321LCF
	4	U.S.	322LCF
		IEC	323LCF
	5	U.S.	324LCF
		IEC	325LCF





2:1 T splitters permit two cables to be connected to a single 2 signal per port distribution box.

### Configuration

**Ports:** 1:2 Splitter

### Materials

**Housing:** Thermoplastic polyurethane, flame retardant

**Insert:** Thermoplastic polyurethane, flame retardant

**M12 Female:** Polyamide, flame retardant

### Contacts:

Copper alloy, plated gold over nickel

### Coupling Nut:

Copper alloy

### Environmental

**Sealing:** IP67/NEMA 6P

**Temperature Range:**

-25°C to +90°C

### Electrical

**Voltage Rating:** 30 V

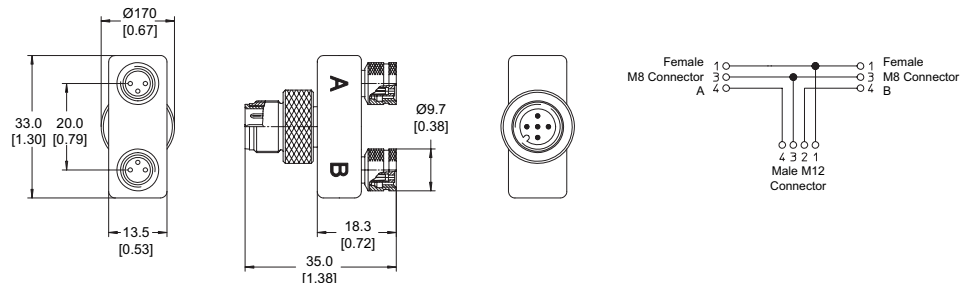
**Current Rating:** 4 A

Single Port	Double Ports	Body Style	Color	Part Number
M12 Male	M12 Female	Standard	Orange	SPL001 OR032
		Wide	Black	SPL001W BK032
M12 Male	M8 Female	Standard	Orange	SPL003 OR032

## 1:2 Splitter

M8 Connectors

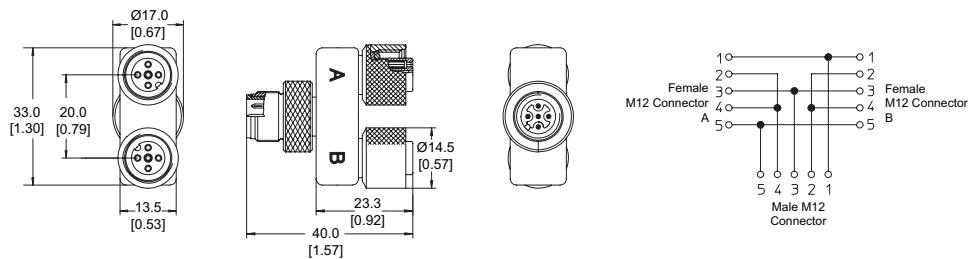
Part No. SPL003 OR032



## 1:2 Splitter

M12 Connectors

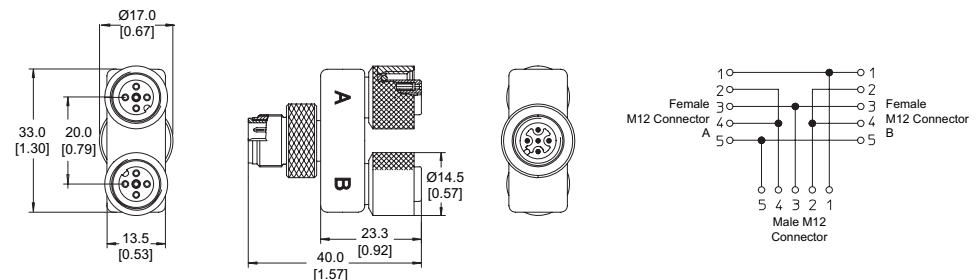
Part No. SPL001 OR032



## 1:2 Splitter, Wide Body

M12 Connectors

Part No. SPL001W BK032



GLOBAL HEADQUARTERS  
711 Lidgerwood Avenue  
Elizabeth, NJ 07207-0711 USA  
Toll Free: 1-800-52 ALPHA  
Tel: 1-908-925-8000  
Fax: 1-908-925-5411  
E-mail: [info@alphawire.com](mailto:info@alphawire.com)

EUROPE  
Alpha Wire International  
Saxon House  
1 Downside | Sunbury-on-Thames  
Middlesex | United Kingdom | TW16 6RT  
Tel: +44 1 932 772 422  
Fax: +44 1 932 772 433  
E-mail: [europa@alphawire.com](mailto:europa@alphawire.com)

ASIA PACIFIC  
Alpha Wire  
Silver Center | Room 1712  
North Shanxi Road 1388  
Shanghai | China | 200060  
Tel: + 86-21-61498201/61498205  
Fax: + 86-21-61498001  
E-mail: [apac@alphawire.com](mailto:apac@alphawire.com)



**AlphaWire**

*Cables you trust. Service you deserve.*