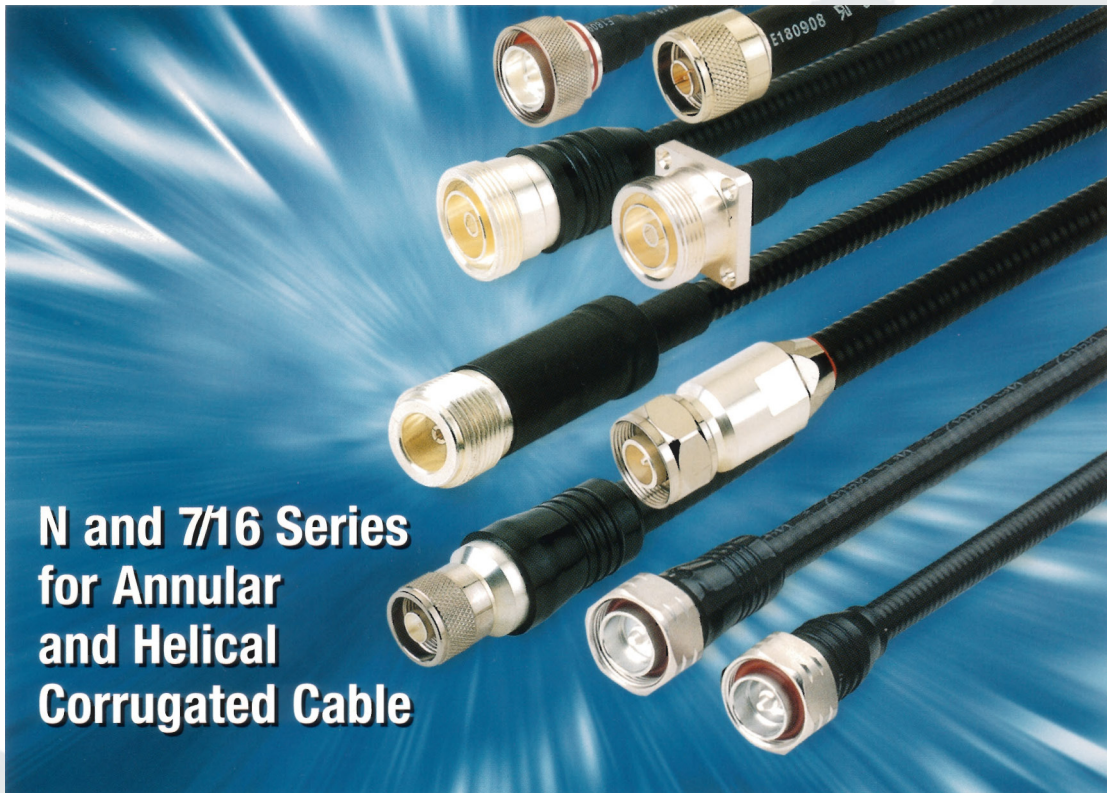


# Amphenol Connex

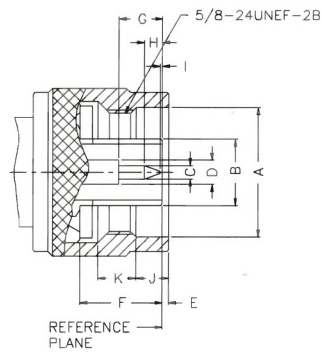
*A New Kind Of RF Solution*



**N and 7/16 Series  
for Annular  
and Helical  
Corrugated Cable**

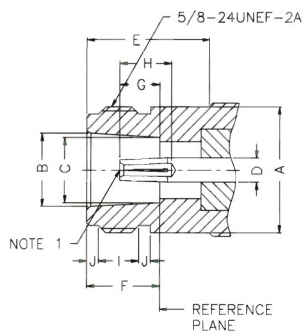
QUALITY COAX CONNECTORS & ACCESSORIES

## N COAXIAL CONNECTORS INTERFACE MATING DIMENSIONS



### PLUG

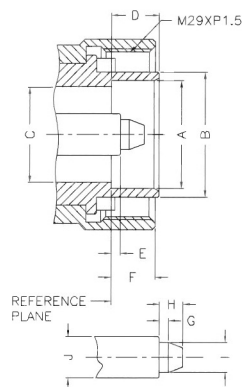
Letter	Millimeters [Inches]	
	Minimum	Maximum
A	16.00 [.630]	–
B	–	8.38 [.330]
C	1.60 [.063]	1.68 [.066]
D	3.00 [.118]	3.15 [.124]
E	0.41 [.016]	1.52 [.060]
F	10.11 [.398]	10.46 [.412]
G	5.33 [.210]	5.84 [.230]
H	3.30 [.130]	4.32 [.170]
I	0.08 [.003]	–
J	4.01 [.158]	4.27 [.168]
K	4.50 [.177]	5.00 [.197]~



### JACK

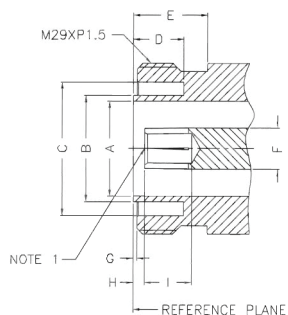
Letter	Millimeters [Inches]	
	Minimum	Maximum
A	–	15.93 [.628]
B	8.53 [.336]	8.74 [.344]
C	8.03 [.316]	8.13 [.320]
D	3.00 [.118]	3.15 [.124]
E	10.72 [.422]	–
F	9.04 [.356]	9.19 [.362]
G	4.75 [.187]	5.26 [.207]
H	5.33 [.210]	–
I	4.37 [.172]	5.13 [.202]
J	1.19 [.047]	1.96 [.077]

## 7/16 COAXIAL CONNECTORS INTERFACE MATING DIMENSIONS



### PLUG

Letter	Millimeters [Inches]	
	Minimum	Maximum
A	8.03 [.710]	18.21 [.717]
B	20.60 [.812]	21.40 [.843]
C	15.85 [.624]	16.25 [.640]
D	7.00 [.276]	8.00 [.315]
E	1.47 [.058]	1.77 [.070]
F	7.00 [.276]	9.00 [.355]
G	1.40 [.055]	1.60 [.063]
H	–	4.50 [.177]
I	4.96 [.195]	5.04 [.199]
J	6.97 [.275]	7.03 [.277]



### JACK

Letter	Millimeters [Inches]	
	Minimum	Maximum
A	15.85 [.624]	16.25 [.640]
B	–	18.00 [.709]
C	22.10 [.871]	22.90 [.902]
D	8.10 [.319]	–
E	10.00 [.394]	–
F	6.97 [.275]	7.03 [.277]
G	0.50 [.020]	0.70 [.028]
H	1.77 [.070]	2.07 [.082]
I	5.00 [.197]	–

## N AND 7/16 CONNECTORS FOR CORRUGATED CABLE

All Amphenol Connex N and 7/16 connector bodies are Nextcote (TM) white bronze plated. Center contacts for both series are silver plated with no nickel undercoat. Simple two piece design makes connectors easy to assemble in the field without the need for special crimp tools or soldering iron. Connectors are available for both Helical and Annular corrugated cable.

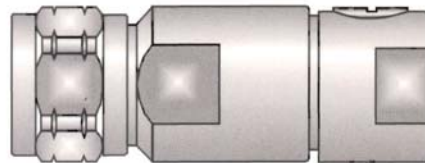
### STRAIGHT PLUGS N SERIES

For Helical/Superflex/Highflex Corrugated Cable

P/N	Description
172FPH1	1/4" Helical
172FPH2	3/8" Helical
172FPH4	1/2" Helical
172FPH5	7/8" Helical

For Annular/Common/Foam Corrugated Cable

172FPA4	1/2" Annular
172FPA5	7/8" Annular



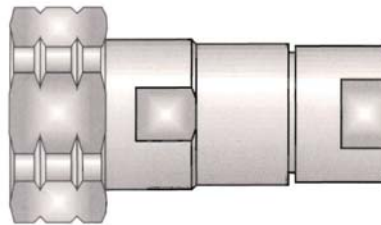
### STRAIGHT PLUGS 7/16 SERIES

For Helical/Superflex/Highflex Corrugated Cable

P/N	Description
272FPH1	1/4" Helical
272FPH2	3/8" Helical
272FPH4	1/2" Helical
272FPH5	7/8" Helical

For Annular/Common/Foam Corrugated Cable

272FPA4	1/2" Annular
272FPA5	7/8" Annular



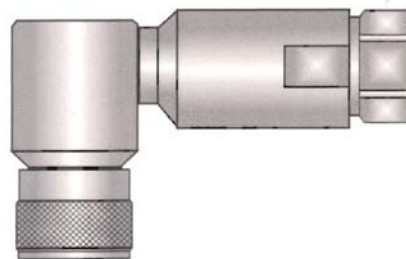
### RIGHT ANGLE PLUGS N SERIES

For Helical/Superflex/Highflex Corrugated Cable

P/N	Description
172FPRH1	1/4" Helical
172FPRH4	1/2" Helical

For Annular/Common/Foam Corrugated Cable

172FPRA2	3/8" Annular
172FPRA4	1/2" Annular



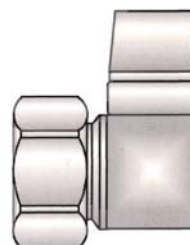
### RIGHT ANGLE PLUGS 7/16 SERIES

For Helical/Superflex/Highflex Corrugated Cable

P/N	Description
272FPRH4	1/2" Helical

For Annular/Common/Foam Corrugated Cable

272FPRA4	1/2" Annular
----------	--------------





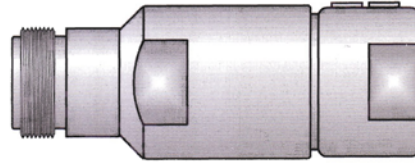
## STRAIGHT JACKS N SERIES

For Helical/Superflex/Highflex Corrugated Cable

P/N	Description
172FJH1	1/4" Helical
172FJH4	1/2" Helical
172FJH5	7/8" Helical

For Annular/Common/Foam Corrugated Cable

172FJA4	1/2" Annular
172FJA5	7/8" Annular



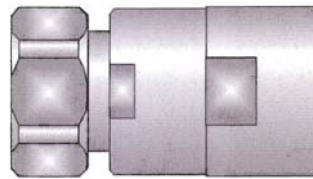
## STRAIGHT JACKS 7/16 SERIES

For Helical/Superflex/Highflex Corrugated Cable

P/N	Description
272FJH1	1/4" Helical
272FJH4	1/2" Helical
272FJH5	7/8" Helical

For Annular/Common/Foam Corrugated Cable

272FJA4	1/2" Annular
272FJA5	7/8" Annular



## ADAPTERS N SERIES

P/N	Description	Plating	Impedance
172122	Straight Plug/Plug	Nexcote	50
172123	Straight Jack/Jack	Nexcote	50
172176	Straight Plug/Jack	Nexcote	50
172124	Bulkhead Jack/Jack	Nexcote	50
172178	Panel Jack/Jack	Nexcote	50
172125	Tee Jack/Plug/Jack	Nexcote	50
172127	Tee Jack/Jack/Jack	Nexcote	50
172193	R/A Plug/Jack	Nexcote	50
172261	R/A Plug/Plug	Nexcote	50

Terminations N Series 2 Watt 5%

P/N	Description	Plating	Impedance
202109-10	Plug	Nexcote	50
202109-11	Plug W/Chain	Nexcote	50
202110	Jack	Nexcote	50
202110-10	Jack W/Chain	Nexcote	50

## ADAPTERS 7/16 SERIES

P/N	Description	Plating	Impedance
272134	Straight Plug/Plug	Nexcote	50
272135	Straight Jack/Jack	Nexcote	50
272150	R/A Plug/Jack	Nexcote	50
272174	Bulkhead Jack/Jack	Nexcote	50

Terminations 7/16 Series 1 Watt 5%

P/N	Description	Plating	Impedance
272189	Plug	Nexcote	50

## 7/16 & N Series COAXIAL CONNECTORS

Amphenol Connex 7/16 and N series connectors provide superior performance for both return loss and intermodulation distortion. Connectors available are for the most popular 1/4, 3/8, 1/2, and 7/8 inch Annular and Helical corrugated cables and are ideal for base station and broadcast communication applications. Nextcote™, our trade name for the popular white bronze plating, is standard on all connectors.

### ELECTRICAL SPECIFICATIONS

	7/16 Series	N Series
Impedance	50 ohm	500 ohms
Frequency range	0-7.5 GHz	0-11.0GHz
Working Voltage	2700 VRMS maximum at sea level	1400 VRMS maximum at sea level
Dielectric Withstanding Voltage	4000 VRMS minimum at sea level	2500 VRMS minimum at sea level
VSWR	1.1 - 3GHz, 1.22 - 3GHz	1.1 - 3GHz, 3 - 11GHz
Contact resistance	Inner: 0.4 mohms Outer: 0.2 megohms	Inner: 0.4 megohms Outer: 0.2 megohms
Insulation resistance	10000 megohms minimum	5000 megohms minimum

### MATERIAL SPECIFICATIONS

		7/16 Series	N Series
PARTS NAME		MATERIAL	FINISH
Body metal parts		Brass per QQ-B-626	Nexcote
Contacts	Male	Brass per QQ-B-626	Silver
	Female	Beryllium copper per QQ-C-530	Silver
Insulator		PTFE	None
Gasket		Silicone rubber	None
Crimp ferrule		Annealed copper	Silver or Nexcote

**Note:** Other materials/finishes are available on request.

### MECHANICAL SPECIFICATIONS

	7/16 Series	N Series
Coupling nut retention	225 lbs. maximum	100 lbs. maximum
Contact retention	45 lbs. minimum	45 lbs. minimum
Durability (mating)	500 cycles minimum	500 cycles minimum