

NEW

OMNIMATE HOUSINGS CH20M

The Modular Electronics Housing System

Error Proof Operation

- Multiple labeling options and the unique "Autoset" keying eliminate the possibility of mis-mating plug connections



Safety Built In

- Touch proof connections on both the plug and receptacle sides



Front Cover

- Transparent to allow easy monitoring of indicator LED's, gauges, etc. and can be locked to prevent tampering



Pain-Free Release

- Integrated color coded release levers make ejection fast and easy



Visually Unique

- Housing can be customized with laser marking, multiple panel color options and printing on the front cover

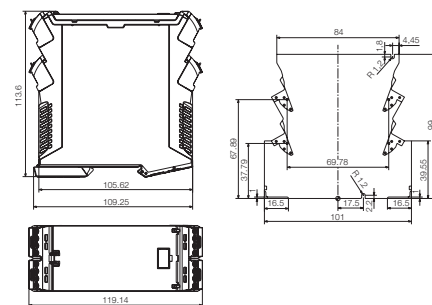
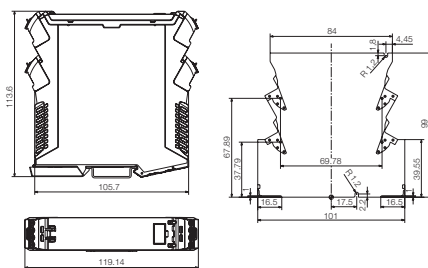
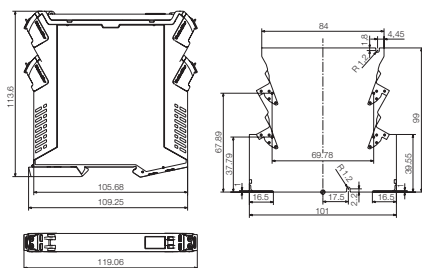


Widths from 6mm to 67.5mm

Weidmüller 

Availability

The following products are currently available:



12.5mm Housing

Description	Part Number
Base Element	
Black, Clip-On Foot Black	1104170000
Black, Clip-on Foot Orange	1104180000
Cover	
Hinged Cover, Transparent	1104250000
Hinged Cover, Transparent Black	1104240000
Marker, MultiCard, White	1912130000
Front	
Black	1104190000
Side	
3 Levels, Black, 12 Connections	1174280000
2 Levels, Black, 8 Connections	1104200000
2 Levels, Blue, 8 Connections	1104220000
1 Level, Black, 4 Connections	1104210000
1 Level, Blue, 4 Connections	1104230000
Pin Header - 2 Poles	
Left	
4.2mm Solder Pin, Box Packaging	1069620000
4.2mm Solder Pin, Tape-on-Reel	1069650000
5.9mm Solder Pin, Box Packaging	1069750000
5.9mm Solder Pin, Tape-on-Reel	1069780000
Right	
4.2mm Solder Pin, Box Packaging	1069550000
4.2mm Solder Pin, Tape-on-Reel	1069580000
5.9mm Solder Pin, Box Packaging	1069680000
5.9mm Solder Pin, Tape-on-Reel	1069720000
Plug - 2 Poles	
Release Lever Black	1069330000
Release Lever Orange	1063260000
Release Lever Blue	1069360000
Marker, MultiCard, White	1082490000

22.5mm Housing

Description	Part Number
Base Element	
Black, Clip-On Foot Black	2418630000
Black, Clip-On Foot Orange	1104450000
Graphite Gray, Clip-On Foot Black	1073350000
Light Gray, Clip-On Foot Black	1164670000
Cover	
Hinged Cover, Transparent	1073420000
Hinged Cover, Transparent Black	2418670000
Marker, MultiCard, White	1912130000
Front	
Black	2418640000
Graphite Gray	1073360000
Light Gray	1164680000
Side	
3 Levels, Black, 24 Connections	1139790000
2 Levels, Black, 16 Connections	2418650000
2 Levels, Blue, 16 Connections	2418660000
2 Levels, Light Gray, 16 Connections	1164690000
2 Levels, Graphite Gray, 16 Connections	1073370000
1 Level, Black, 8 Connections	1080630000
1 Level, Blue, 8 Connections	1070620000
Pin Header - 4 Poles	
Left	
4.2mm Solder Pin, Box Packaging	1069640000
4.2mm Solder Pin, Tape-on-Reel	1069670000
5.9mm Solder Pin, Box Packaging	1069770000
5.9mm Solder Pin, Tape-on-Reel	1069810000
Right	
4.2mm Solder Pin, Box Packaging	1069570000
4.2mm Solder Pin, Tape-on-Reel	1069610000
5.9mm Solder Pin, Box Packaging	1069710000
5.9mm Solder Pin, Tape-on-Reel	1069740000
Plug - 4 Poles	
Release Lever Black	1069350000
Release Lever Orange	1063280000
Release Lever Blue	1069380000
Marker, MultiCard, White	1082540000

45mm Housing

Description	Part Number
Base Element	
Black, Clip-On Foot Black	1104400000
Black, Clip-on Foot Orange	1104410000
Cover	
Hinged Cover, Transparent	1104440000
Hinged Cover, Transparent Black	1104430000
Marker, MultiCard, White	1912130000
Front	
Black	1104420000
Closed, Black	1164800000
Graphite Gray	1164720000
Closed, Graphite Gray	1164730000
Light Gray	1164770000
Closed, Light Gray	1164780000
Side	
3 Levels, Black, 48 Connections	On Request
2 Levels, Black, 32 Connections	1111720000
2 Levels, Graphite Gray, 32 Connections	1164740000
2 Levels, Light Gray, 32 Connections	1164790000
2 Levels, Black, Left Empty, 16 Connections	1137740000
2 Levels, Black, Right Empty, 16 Connections	1137750000
1 Level, Black, 16 Connections	On Request
Pin Header - 4 Poles	
Left	
4.2mm Solder Pin, Box Packaging	1069640000
4.2mm Solder Pin, Tape-on-Reel	1069670000
5.9mm Solder Pin, Box Packaging	1069770000
5.9mm Solder Pin, Tape-on-Reel	1069810000
Right	
4.2mm Solder Pin, Box Packaging	1069570000
4.2mm Solder Pin, Tape-on-Reel	1069610000
5.9mm Solder Pin, Box Packaging	1069710000
5.9mm Solder Pin, Tape-on-Reel	1069740000
Plug - 4 Poles	
Release Lever Black	1069350000
Release Lever Orange	1063280000
Release Lever Blue	1069380000
Marker, MultiCard, White	1082540000

Weidmuller, Canada
 10 Spy Court
 Markham, Ontario L3R 5H6
 Telephone: (800) 268-4080
 Facsimile: (877) 300-5635
 Email: info1@weidmuller.ca
 Website: www.weidmuller.ca

Weidmuller, Mexico
 Blvd. Hermanos Serdán 698,
 Col. San Rafael Oriente
 Puebla, Puebla, Mexico
 C.P. 72029
 Telephone: 01 222 2686267
 Facsimile: 01 222 2686219
 Email: clientes@weidmuller.com.mx
 Website: www.weidmuller.com.mx

Weidmuller, United States
 821 Southlake Blvd.
 Richmond, Virginia 23236
 Telephone: (800) 849-9343
 Facsimile: (804) 379-2593
 Email: info@weidmuller.com
 Website: www.weidmuller.com

www.weidmuller.com