



# Space-Saving HVArc Guard® Capacitors for Passive Snubber Applications

A wide range of passive devices can be used to make a passive snubber that absorbs energy from the reactance in a power switching circuit. Snubbers can be used to clamp ringing noise or reduce power dissipation during turn-off; another application is to reduce peak switching voltages. They are a critical circuit for improving the efficiency of most switching semiconductor circuits.

There are several different passive component options for snubber design. For example, film polypropylene capacitors are often used as a snubber to control the voltage rate of rise (dV/dt) in high pulse applications. High-voltage, standard MLCCs are likewise used as a snubber to clamp the voltage to a fixed level during device turn-on. They can also be used to clamp harmful transient voltages on semiconductor switching devices such as bipolar or MOS transistors.

The disadvantage with these solutions is their size. Film capacitors are leaded, through-hole devices that require significant board space. High-voltage, 390 pF, 1 kV MLCCs have until now been available only in the 1812 size.

New HVArc Guard® high-voltage MLCCs remove these limitations. They combine high breakdown voltages, low impedance, and a wide operating frequency range in case

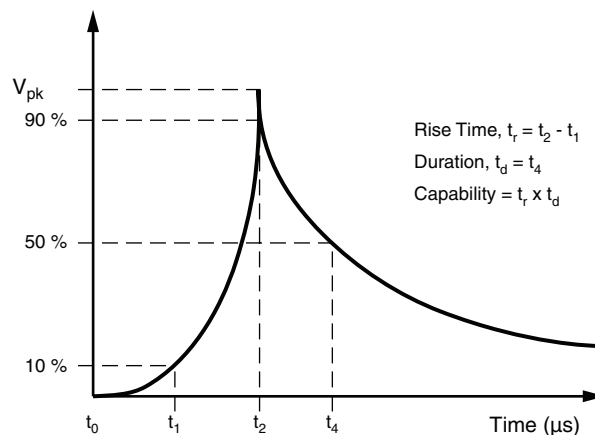
sizes as small as 0805. Designers can thus save on board space while maintaining the same capacitance and voltage ratings for a wide range of medium- to high-voltage snubber applications.

### Small Size Advantages

The small dimensions of HVArc Guard surface-mount MLCCs make them ideal for snubber circuits. Their high voltage breakdown performance is particularly useful in applications requiring snubber capacitors or capacitors in the high-voltage inverter section. In fact, the breakdown voltage of HVArc Guard MLCCs is more than twice that of the comparable standard commercial high-voltage capacitor.

### Good Surge Capability

Vishay has conducted various surge tests on HVArc Guard capacitors. The basic surge waveform is shown below. Pulse rise times as fast as 1.2 μs were tested on HVArc Guard devices.



The results of surge testing on both the X7R and NP0 HVArc Guard capacitors are shown in the following table:

| Waveform       | COG (N0P) HVArc Guard | X7R HVArc Guard |
|----------------|-----------------------|-----------------|
| 1.2 μs x 50 μs | 1650 V                | 500 V           |
| 10 μs x 700 μs | 1800 V                | 1200 V          |
| 10 μs x 160 μs | > 1500 V              | 1200 V          |

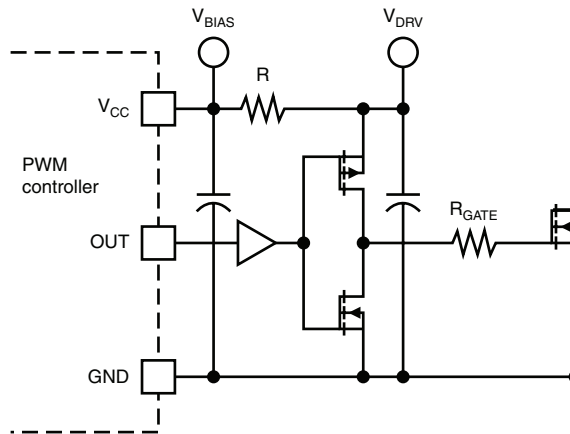
## Space-Saving HVArc Guard® Capacitors for Passive Snubber Applications

### Designing Snubbers with HVArc Guard

A simple passive R-C snubber is used in power circuitry to dissipate energy and clamp voltages during turn-on and turn-off cycles. For example, in an application where high-voltage MOSFETs are used as the switching device, rapid changes occur as the drain-to-source voltage steps up during MOSFET operation. These changes create voltage transient noise on the gate of the MOSFET. A capacitor

snubber is used on source-drain as a bypass cap for the harmful switching noise.

Used in these applications, HVArc Guard MLCCs will typically require significantly less space than standard high-voltage capacitors. Shown below is an example of a snubber used in a totem pole configured MOSFET circuit.



### HVArc Guard Capacitors Ordering Information

HVArc-Guard MLCCs are available in both C0G (NPO) and X7R dielectrics and in a variety of popular surface

mount EIA standard case sizes. Ordering is easy using the codes below.

### HVArc Guard C0G (NP0) Dielectric Ordering Code

| ORDERING INFORMATION |            |   |                                       |  |                                 |              |   |                  |
|----------------------|------------|---|---------------------------------------|--|---------------------------------|--------------|---|------------------|
| VJ0805               | A          | 102   | J                                     | X  | G                               | A            | T   | 5Z               |
| CASE CODE            | DIELECTRIC | CAPACITANCE NOMINAL CODE  | CAPACITANCE TOLERANCE                 | TERMINATION  | DC VOLTAGE RATING <sup>1)</sup> | MARKING      | PACKAGING   | PROCESS CODE     |
| 0805<br>1206<br>1210 | A = C0G    | Expressed in picofarads (pF). The first two digits are significant, the third is a multiplier.<br><b>Examples:</b><br>102 = 1000 pF | J = ± 5 %<br>K = ± 10 %<br>M = ± 20 % | X = Ni barrier<br>100 % tin plated<br>matte finish<br>F = AgPd | G = 1000 V<br>R = 1500 V        | A = Unmarked | C = 7" reel/<br>paper tape<br>T = 7" reel/<br>plastic tape<br>P = 11 1/4" reel/<br>paper tape<br>B = Bulk<br>R = 11 1/4" reel/<br>plastic tape<br>W = Waffle tray | 5Z = HVArc Guard |

**Note:**

1. DC voltage rating should not be exceeded in application

APPLICATION NOTE



### Space-Saving HVArc Guard® Capacitors for Passive Snubber Applications

#### HVArc Guard X7R Dielectric Ordering Code

| ORDERING INFORMATION         |            |   |                                       |  |   |              |   |                  |
|------------------------------|------------|---|---------------------------------------|--|---|--------------|---|------------------|
| VJ1812                       | Y          | 102   | J                                     | X  | P   | A            | T   | 5Z               |
| CASE CODE                    | DIELECTRIC | CAPACITANCE NOMINAL CODE  | CAPACITANCE TOLERANCE                 | TERMINATION                                    | DC VOLTAGE RATING <sup>1)</sup>                   | MARKING      | PACKAGING   | PROCESS CODE     |
| 1206<br>1210<br>1808<br>1812 | Y = X7R    | Expressed in picofarads (pF). The first two digits are significant, the third is a multiplier.<br><b>Examples:</b><br>223 = 22 000 pF | J = ± 5 %<br>K = ± 10 %<br>M = ± 20 % | X = Ni barrier<br>100 % tin plated<br>F = AgPd | P = 250 V<br>E = 500 V<br>L = 630 V<br>G = 1000 V | A = Unmarked | C = 7" reel/<br>paper tape<br>T = 7" reel/<br>plastic tape<br>P = 11 1/4" reel/<br>paper tape<br>B = Bulk<br>R = 11 1/4" reel/<br>plastic tape<br>W = Waffle tray | 5Z = HVArc Guard |

**Note:**

1. DC voltage rating should not be exceeded in application

**NOTICE** Specifications of the products displayed herein are subject to change without notice. Vishay Intertechnology, Inc., or anyone on its behalf, assumes no responsibility or liability for any errors or inaccuracies. Information contained herein is intended to provide a product description only. No license, express or implied, by estoppel or otherwise, to any intellectual property rights is granted by this document. Except as provided in Vishay's terms and conditions of sale for such products, Vishay assumes no liability whatsoever, and disclaims any express or implied warranty, relating to sale and/or use of Vishay products including liability or warranties relating to fitness for a particular purpose, merchantability, or infringement of any patent, copyright, or other intellectual property right. The products shown herein are not designed for use in medical, life-saving, or life-sustaining applications. Customers using or selling these products for use in such applications do so at their own risk and agree to fully indemnify Vishay for any damages resulting from such improper use or sale.

|                                       |   |  |  |
|---------------------------------------|---|--|--|
| WORLDWIDE SALES AND TECHNICAL SUPPORT | <b>THE AMERICAS</b>   | <b>JAPAN</b>   | <b>NETHERLANDS</b>   |
|                                       | <b>UNITED STATES</b><br>VISHAY INTERTECHNOLOGY, INC.<br>63 LANCASTER AVE.<br>MALVERN, PA 19355<br>UNITED STATES<br>PH: +1-610-407-4800<br>FAX: +1-610-640-9081  | VISHAY JAPAN CO., LTD.<br>GE EDISON BUILDING, SHIBUYA 3F<br>3-5-16 SHIBUYA<br>SHIBUYA-KU<br>TOKYO 150-0002<br>JAPAN<br>PH: +81-3-5464-6411<br>FAX: +81-3-5464-6433 | VISHAY BCCOMPONENTS B.V.<br>HURKESTRAAT 31<br>P.O. BOX 8766<br>5652 AH EINDHOVEN<br>NETHERLANDS<br>PH: +31-40-2590-700<br>FAX: +31-40-2590-777 |
|                                       | <b>ASIA</b>   | <b>EUROPE</b>  |  |
|                                       | <b>SINGAPORE</b><br>VISHAY INTERTECHNOLOGY<br>ASIA PTE LTD.<br>25 TAMPINES STREET 92<br>KEPPEL BUILDING #02-00<br>SINGAPORE 528877<br>PH: +65-6788-6668<br>FAX: +65-6788-0988   | <b>GERMANY</b><br>VISHAY EUROPE SALES GMBH<br>GEHEIMRAT-ROSENTHAL-STR. 100<br>95100 SELB<br>GERMANY<br>PH: +49-9287-71-0<br>FAX: +49-9287-70435                    |  |
|                                       | <b>P.R.C.</b><br>VISHAY INTERTECHNOLOGY<br>ASIA PTE LTD.<br>(SHANGHAI REPRESENTATIVE OFFICE)<br>ROOM D, 15F, SUN TONG INFOPORT PLAZA<br>55 HUAI HAI WEST ROAD<br>200030 SHANGHAI<br>P.R.C.<br>PH: +86-21-6283-1036<br>FAX: +86-21-6283-1039 | <b>FRANCE</b><br>VISHAY S.A.<br>199, BLVD DE LA MADELEINE<br>06003 NICE, CEDEX 1<br>FRANCE<br>PH: +33-4-9337-2920<br>FAX: +33-4-9337-2997                          |  |
|                                       |   |  |  |

One of the World's Largest  
**Manufacturers**  
of Discrete Semiconductors and Passive Components