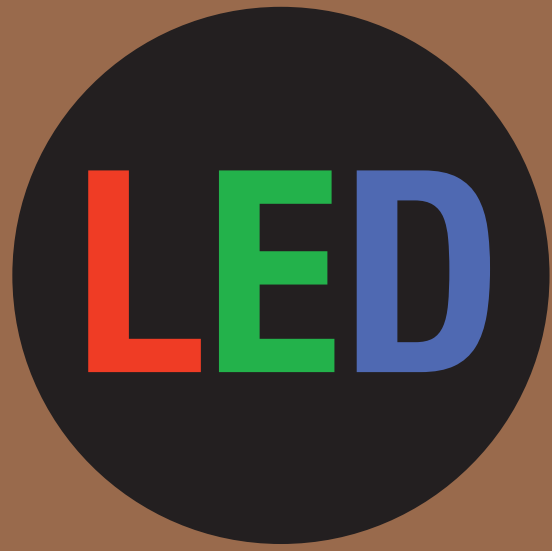




we are  
preci-dip



preci

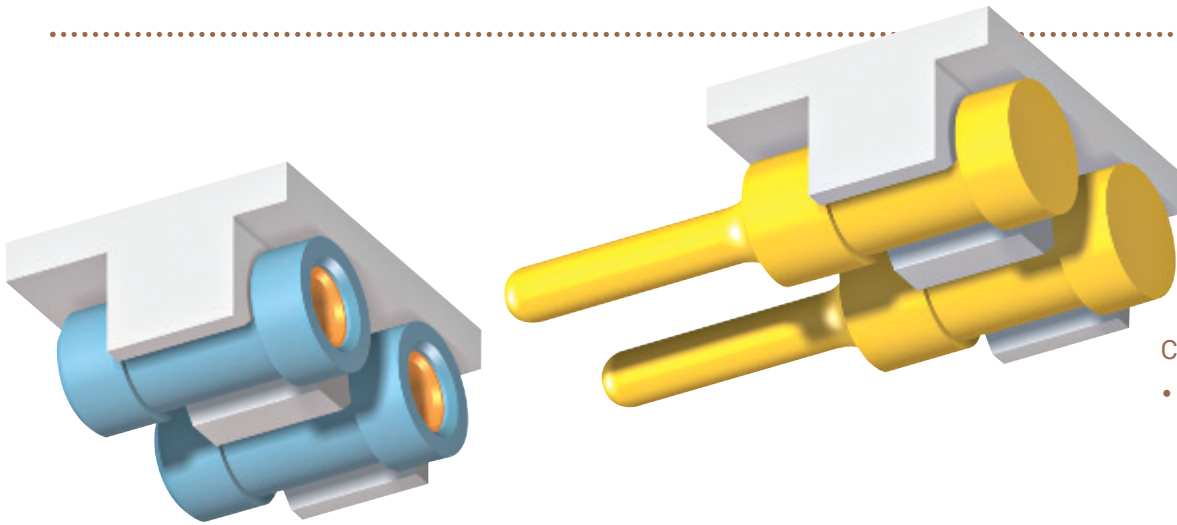


# SMART SOLUTIONS FOR THE LIGHTING INDUSTRY

STATE-OF-THE-ART

swiss world connects

# PRECI-DIP'S STANDARD AND CUSTOM-DESIGNED INTER-CONNECT SOLUTIONS OFFER A VARIETY OF UNIQUE BENEFITS



## CONNECTOR STRIPS

- Socket/pin contacts with HT plastic carrier used as a pick and place cap

PRECI-DIP continues to support a booming LED industry by providing the market with a range of products aimed at addressing some typical interconnect challenges such as minimum PCB space, the need for low profile connector solutions and for new materials intended to reduce potential shadowing effects.

By offering reliable and robust solutions designed to tap the full potential of LED technology such as low energy consumption and reduced heat emissions, PRECI-DIP remains focused on developing innovative products to serve the future demands of this fast-paced industry.

## THE BENEFIT OF EXPERTISE

PRECI-DIP develops state-of-the-art components that interconnect between LED lighting strips. These products easily integrate into your application, feature an extremely low profile, and have been designed with quick connect and disconnect capabilities in mind.

Over the years PRECI-DIP has managed to blend technology and environmental requirements to produce components that combine efficiency and durability. These features have become a hallmark of our innovation.

Whether you require assistance for an indoor or outdoor LED application, your PRECI-LED team will review your project requirements and develop the appropriate solution for you.

# preci-led.com