

Bluetooth Multi Mode: PAN1326B/1316B Series



Easy-to-Use Format, Improved Power Efficiency

Introducing the NEW **PAN1326B/1316B Series** Bluetooth RF Modules from Panasonic, featuring both [Bluetooth Low Energy](#) and Bluetooth connectivity, based on Texas Instruments' NEW CC2564B controller, in an easy-to-use RF Module format with Bluetooth, FCC, IC and CE certifications. A ROM update from Texas Instruments to the already popular CC2564 IC has allowed Panasonic to improve its top selling **PAN1326B/1316 Series**. The NEW **PAN1326B/1316B Series** Modules has increased system and power efficiency resulting from reduced initialization script size, start-up time and decreased system memory requirements; supports ten simultaneous BLE connections -- increased from six -- and integrated SBC encoding and decoding for A2DP implementations, eliminating the requirement for an external CODEC.

Panasonic's tiny footprint technology offers a module of only 85.5 mm² including antenna. The modules are designed to accommodate PCBs pad pitch of 1.3mm and as little as two layers for easy implementation and manufacture.

The [Bluetooth Low Energy \(BLE\)](#) standard is designed to reduce power consumption by establishing very fast connections (few ms) and transferring small amounts of data. Using these techniques, energy consumption is reduced to a tenth of a Classic Bluetooth device. Bluetooth Smart Ready devices can communicate with both [Bluetooth Classic](#) and [Bluetooth Low Energy](#) devices. Smart Ready devices take advantage of the data rate of [Bluetooth Classic](#) (3Mb/s) and ultra fast connection time of [Bluetooth Low Energy](#) (3mS).

Model List

[RESET PARAMETERS](#)

Items per page

15

Found 2 matches. Display 1 - 2 matches.

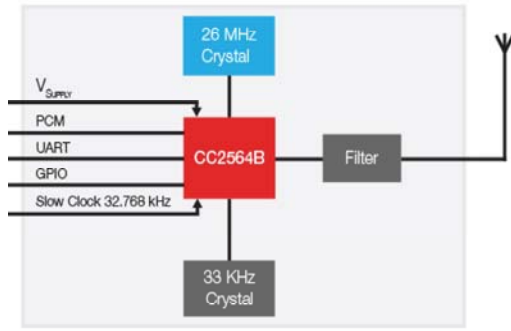
Part No. ▲	Data Sheet	SMD	Size	Used Ics	Rx Sensitivity (dBm)	Tx Power (max.)	Operating Temp.	Current Consum.	Frequency Range	Date Rate (max. air)	Parts Inventory
ENW89823A3KF		SMD	FILTER 9.0 x 9.5 x 1.8	FILTER CC2560B	FILTER -93 dBm	FILTER +10 dBm	FILTER -40 to +85 °C	FILTER 135µA (sleep) / 40mA (Tx,EDR)	FILTER 2.4 GHz	FILTER 3 MBit/s (gross)	
ENW89823C3KF		SMD	FILTER 9.0 x 9.5 x 1.8	FILTER CC2560B	FILTER -93 dBm	FILTER +10 dBm	FILTER -40 to +85 °C	FILTER 135µA (sleep) / 40mA (Tx,EDR)	FILTER 2.4 GHz	FILTER 3 MBit/s (gross)	

Related Information

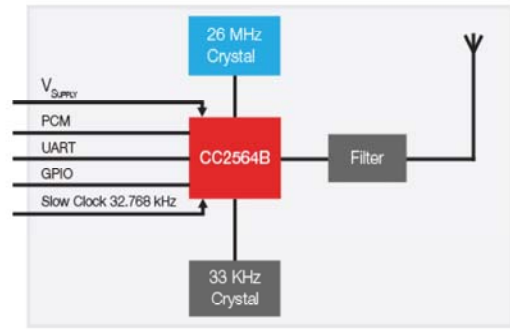
[Brochure](#)
[Datasheet](#)
[Design Guide](#)
[CAD Files](#)
[FAQ's](#)
[Land Grid Array Application Note](#)
[RoHS and REACH](#)

Block Diagram

PAN1316



PAN1326



Technical Characteristics

Parameter	Value	Condition
Receiver Sensitivity	-93 dBm typ.	GFSK, Typical, Dirty TX On
Output Power	10 dBm typ.	VDD_In = VBAT
Power Supply	1.7 to 4.8 V	Battery or DC/DC
Ultra-Low Power Scan	135 μ A	1.28s Interval
GFSK DH1/DH5	33 mA	Full Throughput
Operating Temperature	-40 to +85°C	

Features & Applications

Features:

- Bluetooth Version 4.0 EDR
- Operating Temperature Range: -40 to +85°C
- High Sensitivity: -93dbm
- VCC Supply: 1.7 to 4.8 V
- Based on TI's CC2564B
- Integrates with TI's Ultra Low-Power MSP430 Microprocessor
- Very Fast Algorithm for Both ACL and eSCO
- Supports Extended Range Tx Power with 10dBm (Typ.)

Applications:

- Heart Rate Monitors
- Blood Glucose Meters
- Industrial Sensors
- Entertainment Devices
- Mobile Accessories
- Toys