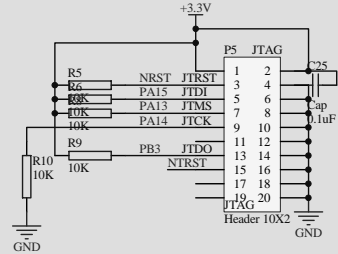
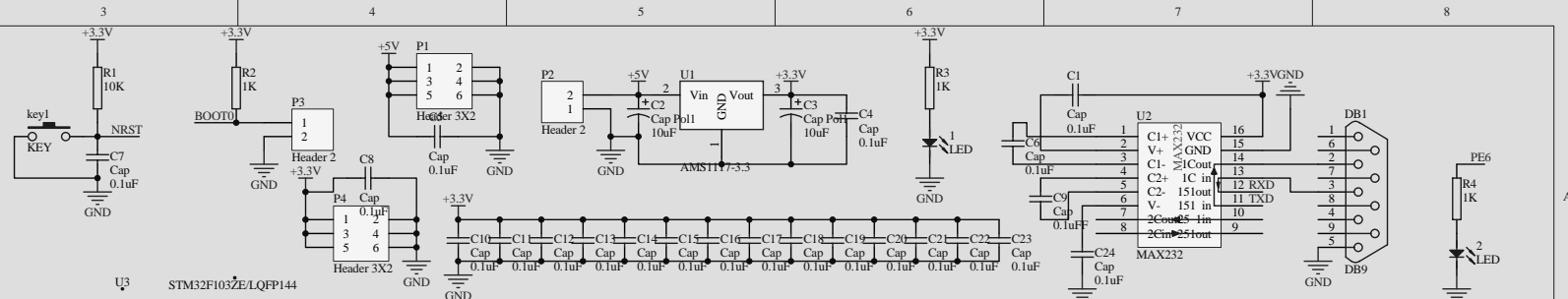
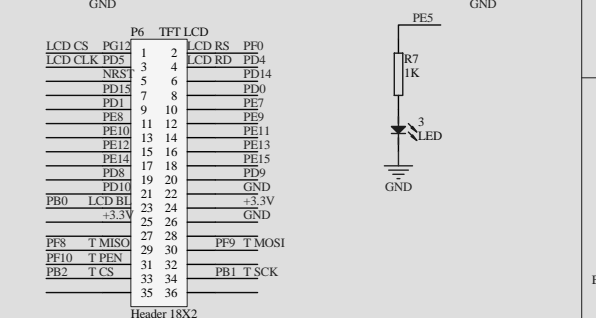


陈培民作



U3 STM32F103ZE/LQFP144

PE2 1	PE2/TRACECK/FSMC_A23	VDD_3	144: +3.3V
PE3 2	PE3/TRACED0/FSMC_A19	VSS_3	143: GND
PE4 3	PE4/TRACED1/FSMC_A20	PE1/FSMC_NBL1	142: PE1
PE5 4	PE5/TRACED2/FSMC_A21	141: PE0	
PE6 5	PE6/TRACED3/FSMC_A22	140: PB9	
	VBAT	139: PB8	
PC13 7	PC13-TAMPER-RTC	138: BOOT0	
PC14 8	PC14-OSC32_IN	137: PB7	
PC15 9	PC15-OSC32_OUT	136: PB6	
PF0 10	PF0/FSMC_A0	135: PB5	
PF1 11	PF1/FSMC_A1	134: PB4	
PF2 12	PF2/FSMC_A2	133: PB3	
PF3 13	PF3/FSMC_A3	132: PG15	
PF4 14	PF4/FSMC_A4	131: +3.3V	
PF5 15	PF5/FSMC_A5	130: GND	
GND16	VSS_5	129: PG14	
+3.3V 17	VDD_5	128: PG13	
PF6 18	PF6/ADC3_IN4/FSMC_NIORD	127: PG12	
PF7 19	PF7/ADC3_IN5/FSMC_NIREG	126: PG11	
PF8 20	PF8/ADC3_IN6/FSMC_NIOWR	125: PG10	
PF9 21	PF9/ADC3_IN7/FSMC_CD	124: PG9	
PF10 22	PF10/ADC3_IN8/FSMC_INTR	123: PD7	
OSC_IN 23	OSC_IN	122: PD6	
OSC_OUT 24	OSC_OUT	121: +3.3V	
NRST 25	NRST	120: GND	
PC0 26	PC0/ADC123_IN10	119: PD5	
PC1 27	PC1/ADC123_IN11	118: PD4	
PC2 28	PC2/ADC123_IN12	117: PD3	
PC3 29	PC3/ADC123_IN13	116: PD2	
GND 30	VSSA	115: PD1	
31	VREF-	114: PD0	
32	VREF+	113: PC12	
+3.3V 33	VDDA	112: PC11	
PA0 34	PA0/WKUP/USART2_CTS/ADC_IN0/TIM5_CH1/	111: PC10	
PA1 35	PA1/USART2_RTS/ADC_IN1/TIM5_CH2/TIM2_CH2	110: PA15	
PA2 36	PA2/USART2_TX/TIM5_CH3/ADC_IN2/TIM2_CH3	109: PA14	
PA3 37	PA3/USART2_RX/TIM5_CH4/ADC_IN3/TIM2_CH4	VDD_2	108: +3.3V
GND 38	VSS_4	VSS_2	107: GND
+3.3V 39	VDD_4	106	NC
PA4 40	PA4/SP11_NSS/DAC_OUT1/USART2_CK/ADC12IN4	105	PA13
PA5 41	PA5/SP11_SCK/DAC_OUT2/ADC12_IN5	104	PAT2
PA6 42	PA6/SP11_MISO/TIM8_BKIN/ADC12IN6/TIM3CH1	103	PA11
PA7 43	PA7/SP11_MOSI/TIM8_CH1N/ADC12IN7/TIM3CH2	102	PA10
PC4 44	PC4/ADC12_IN14	101	PA9
PC5 45	PC5/ADC12_IN15	100	PA8
PB0 46	PB0/ADC12_IN8/TIM3_CH3/TIM8_CH2N	99	PC9
PB1 47	PB1/ADC12_IN9/TIM3_CH4/TIM8_CH3N	98	PC8
PB2 48	PB2/BOOT1	97	PC7
PF1 49	PF1/FSMC_NIOS16	96	PC6
PF2 50	PF2/FSMC_A6	95	+3.3V
GND 51	VSS_6	94	GND
+3.3V 52	VDD_6	93	PG8
PF1 53	PF1/FSMC_A7	92	PG7
PF1 54	PF1/FSMC_A8	91	PG6
PF1 55	PF1/FSMC_A9	90	PG5
PG0 56	PG0/FSMC_A10	89	PG4
PG1 57	PG1/FSMC_A11	88	PG3
PE7 58	PE7/FSMC_D4	87	PG2
PE8 59	PE8/FSMC_D5	86	PD15
PE9 60	PE9/FSMC_D6	85	PD14
GND 61	VSS_7	84	+3.3V
+3.3V 62	VDD_7	83	GND
PE10 63	PE10/FSMC_D7	82	PD13
PE11 64	PE11/FSMC_D8	81	PD12
PE12 65	PE12/FSMC_D9	80	PD11
PE13 66	PE13/FSMC_D10	79	PD10
PE14 67	PE14/FSMC_D11	78	PD9
PE15 68	PE15/FSMC_D12	77	PD8
PB10 69	PB10/I2C2_SCL/USART3_TX	76	PD7
PB11 70	PB11/I2C2_SDA/USART3_RX	75	PD6
GND 71	VSS_1	74	PB15
+3.3V 72	VDD_1	73	PB14
			PB13
			PB12



Title		
Size	Number	Revision
A3		
Date:	2013-4-4	Sheet of
File:	C:\Altium Designer Summer 09\1144.Sch	Drawn By:

A

B

C

D

A

B

C

D