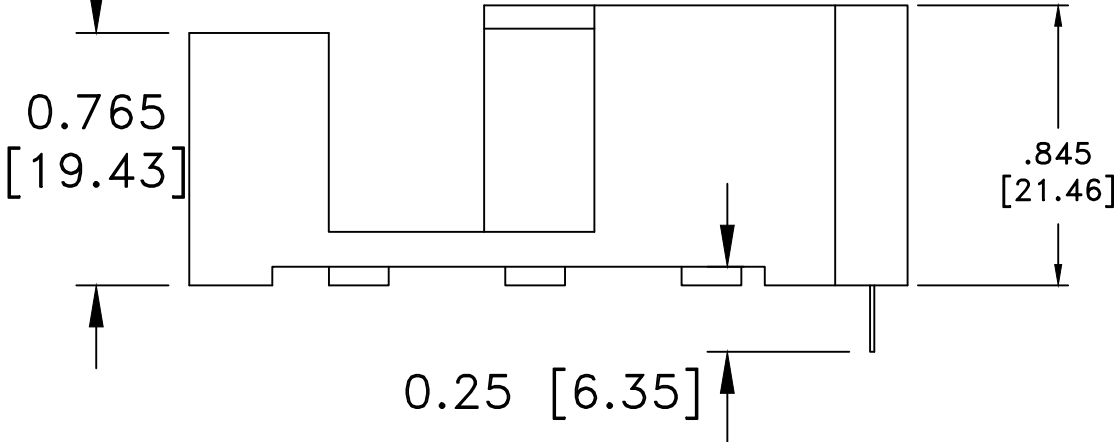
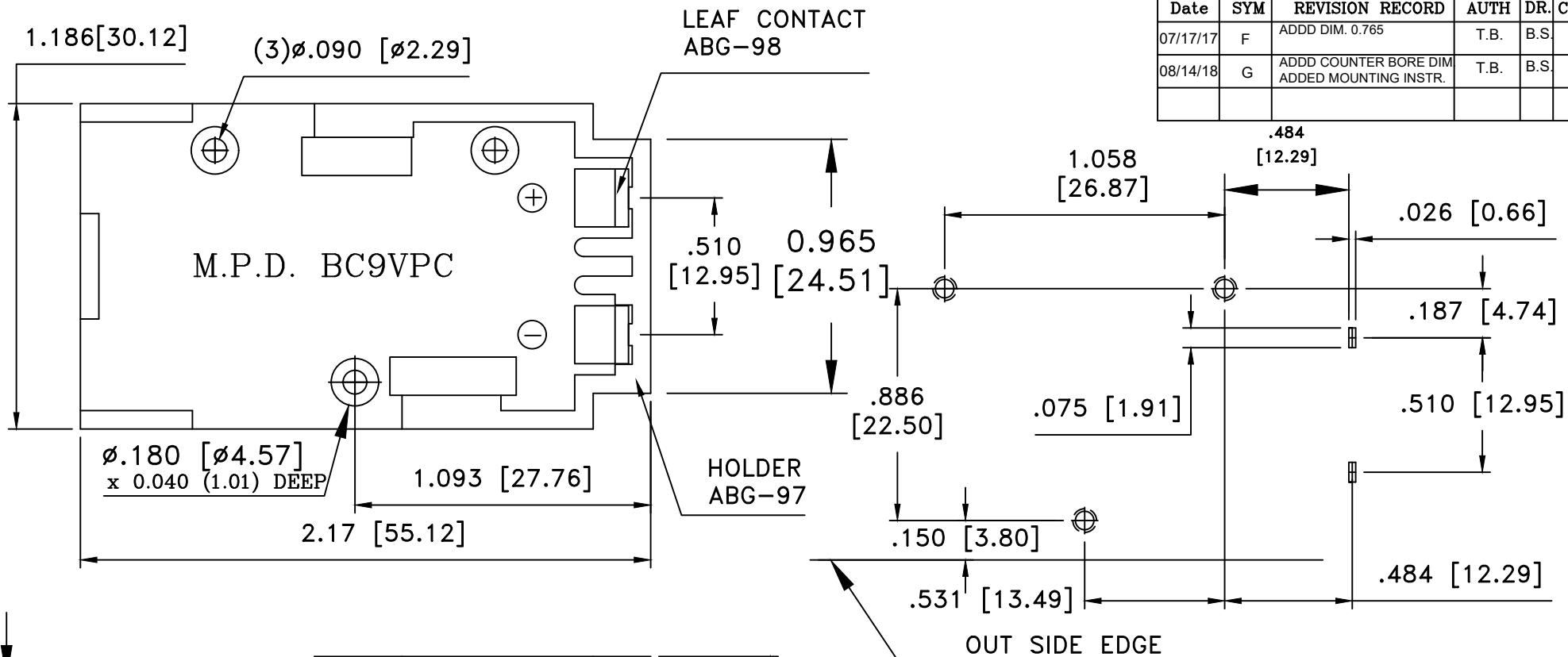



Date	SYM	REVISION RECORD	AUTH	DR.	CK.
07/17/17	F	ADD DIM. 0.765	T.B.	B.S.	
08/14/18	G	ADD COUNTER BORE DIM ADDED MOUNTING INSTR.	T.B.	B.S.	



ROHS 2 COMPLIANT

FEATURES REVERSE POLARITY PROTECTION

QTY REQ'D	PART NO.	DESCRIPTION	MATERIAL
1	ABG-97	BC 9V PC HOLDER	HIGH IMPACT ABS BLACK, UL94V-0 File No.E56070(S)
2	ABG-98	BC 9V PC LEAF CONTACT	PHOSPHOR BRONZE NICKEL PLATED

Tolerance (Except as noted)	 Memory Protection Devices, Inc 200 Broad Hollow Road, Farmingdale, New York 11735		
decimal ±.5 (.020)		Scale XX	Drawn By B.S. Approved By T.B.
Fractional ± .8 (.030)	Title BC 9V PC ASSEMBLY		
Angular ± 3°	Date 08/14/18	Drawing Number BC9VPC	