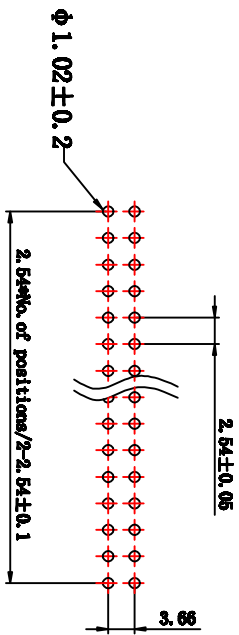
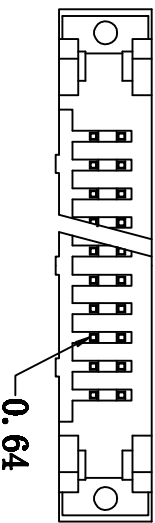
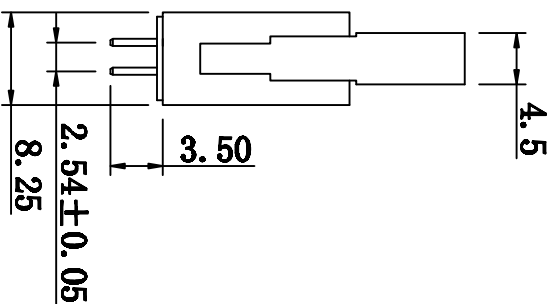
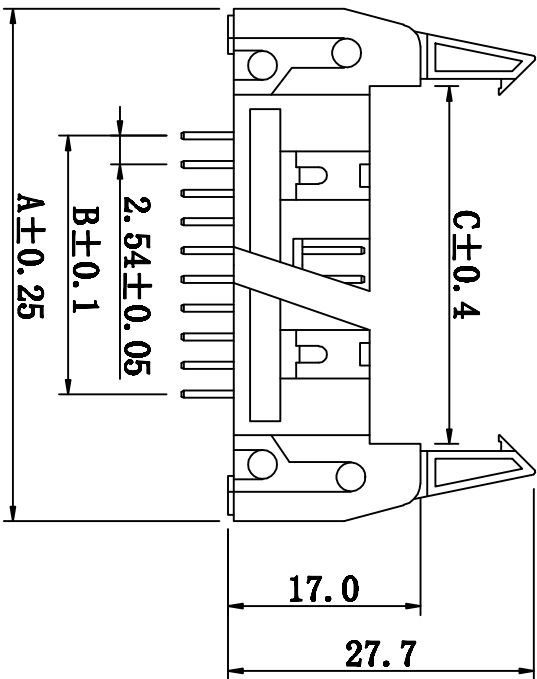


客户确认	
日期	




CONTACTS	10	12	14	16	20	24	26
A	31.90	34.60	36.98	39.52	44.60	49.68	52.15
B	10.16	12.70	15.24	17.78	22.86	27.94	30.48
C	18.00	20.54	23.08	25.62	30.70	35.78	38.32
CONTACTS	30	34	40	50	56	60	64
A	57.40	62.38	70.00	82.70	90.32	95.40	100.48
B	35.56	40.64	48.26	60.96	68.58	73.66	78.74
C	43.40	48.48	56.10	68.80	76.42	81.50	86.58

MATERIALS:
 INSULATOR: P. B. T. 30% GLASS FIBER, UL94V-0
 CONTACTS: BRASS OR PHOSPHOR BRONZE,
 GOLD FLASH OVER NICKEL

ELECTRICAL:
 CURRENT RATING: 1AMP
 INSULATION RESISTANCE: 1000MΩ MIN.
 DIELECTRIC WITHSTANDING: 500V AC
 OPERATING TEMPERATURE: -55℃ ~ +105℃

PCB LAYOUT

TOLERANCE TABLE	
.0	±0.20
.00	±0.10
.000	±0.05

APPROVED:	DATE:	 深圳市鑫鹏博电子科技有限公司 SHENZHEN XINPENGBO ELECTRONICS CO. LTD
CHECKED:	DATE:	
DRAWN:	DATE:	TITLE: 310S-2-20P (2.54直插牛角) (足金0.8U)
YRR	2019-01-10	CLIENT P/N: G4190917 UNIT: mm SCALE: Free FILE NO: XPB03570033 REV: A