

## Features

- Low-voltage and standard-voltage operation
  - $V_{CC} = 1.7V$  to  $5.5V$
- User-selectable internal organization
  - 2K:  $256 \times 8$  or  $128 \times 16$
  - 4K:  $512 \times 8$  or  $256 \times 16$
- Three-wire serial interface
- Sequential read operation
- 2MHz clock rate (5V)
- Self-timed write cycle (5ms max)
- High reliability
  - Endurance: One million write cycles
  - Data retention: 100 years
- 8-lead JEDEC SOIC, 8-lead TSSOP, 8-lead UDFN, 8-lead XDFN, and 8-ball VFBGA packages

## Description

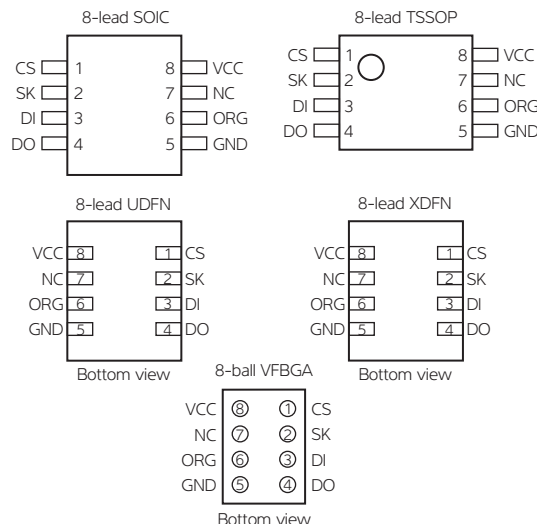
The Atmel® AT93C56B/66B provides 2048/4096 bits of serial electrically erasable programmable read-only memory (EEPROM) organized as 128/256 words of 16 bits each (when the ORG pin is connected to  $V_{CC}$ ) and 256/512 words of 8 bits each (when the ORG pin is tied to ground). The device is optimized for use in many industrial and commercial applications where low-power and low-voltage operations are essential. The AT93C56B/66B is available in space-saving 8-lead JEDEC SOIC, 8-lead TSSOP, 8-lead UDFN, 8-lead XDFN, and 8-ball VFBGA packages.

The AT93C56B/66B is enabled through the chip select pin (**CS**) and accessed via a three-wire serial interface consisting of data input (**DI**), data output (**DO**), and shift clock (**SK**). Upon receiving a read instruction at **DI**, the address is decoded and the data is clocked out serially on the data output pin, **DO**. The write cycle is completely self-timed, and no separate erase cycle is required before write. The write cycle is only enabled when the part is in the erase/write enable state. When **CS** is brought high following the initiation of a write cycle, the **DO** pin outputs the ready/busy status of the part.

The AT93C56B/66B operates from 1.7V to 5.5V.

Figure 0-1. Pin Configurations

Pin Name	Function
CS	Chip Select
SK	Serial Data Clock
DI	Serial Data Input
DO	Serial Data Output
GND	Ground
VCC	Power Supply
ORG	Internal Organization
NC	No Connect



## Three-wire Serial Electrically Erasable Programmable Read-only Memory

2K (256 x 8 or 128 x 16)

4K (512 x 8 or 256 x 16)

Atmel AT93C56B

Atmel AT93C66B

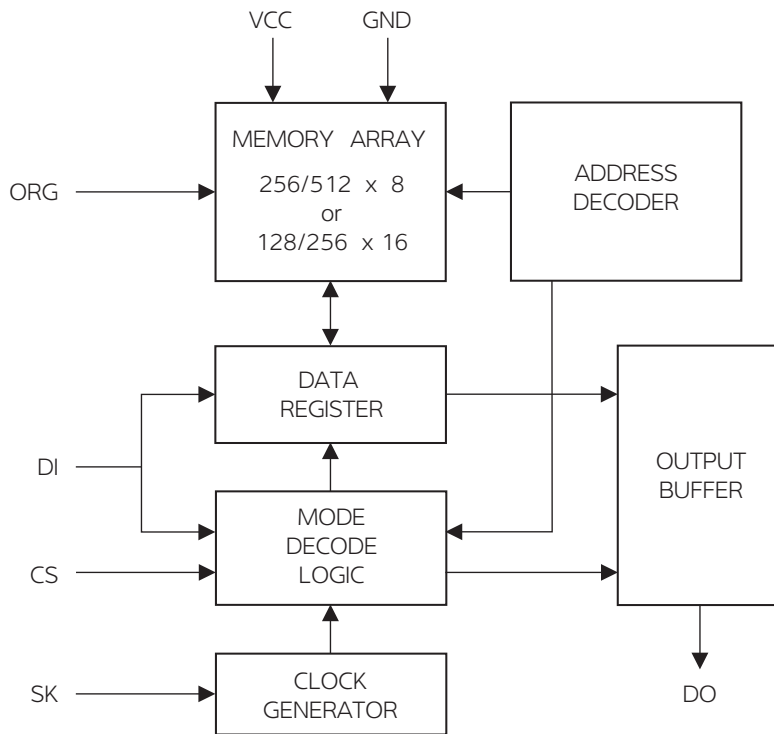


# 1. Absolute Maximum Ratings\*

Operating Temperature.....	-55°C to +125°C
Storage Temperature .....	-65°C to +150°C
Voltage on Any Pin with Respect to Ground .....	-1.0V to +7.0V
Maximum Operating Voltage.....	6.25V
DC Output Current.....	5.0mA

\*NOTICE: Stresses beyond those listed under “Absolute Maximum Ratings” may cause permanent damage to the device. This is a stress rating only, and functional operation of the device at these or any other conditions beyond those indicated in the operational sections of this specification is not implied. Exposure to absolute maximum rating conditions for extended periods may affect device reliability.

Figure 1-1. Block Diagram



Note: When the ORG pin is connected to V<sub>CC</sub>, the x 16 organization is selected. When it is connected to ground, the x 8 organization is selected. If the ORG pin is left unconnected and the application does not load the input beyond the capability of the internal 1MΩ pull-up resistor, then the x 16 organization is selected.

Table 1-1. Pin Capacitance<sup>(1)</sup>Applicable over recommended operating range from  $T_A = 25^\circ\text{C}$ ,  $f = 1.0\text{MHz}$ ,  $V_{CC} = +5.0\text{V}$  (unless otherwise noted)

Symbol	Test Conditions	Max	Units	Conditions
$C_{OUT}$	Output Capacitance (DO)	5	pF	$V_{OUT} = 0\text{V}$
$C_{IN}$	Input Capacitance (CS, SK, DI)	5	pF	$V_{IN} = 0\text{V}$

Notes: 1. This parameter is characterized, and is not 100% tested

Table 1-2. DC Characteristics

Applicable over recommended operating range from  $T_A = -40^\circ\text{C}$  to  $+85^\circ\text{C}$ ,  $V_{CC} = +1.7\text{V}$  to  $+5.5\text{V}$  (unless otherwise noted)

Symbol	Parameter	Test Condition	Min	Typ	Max	Unit
$V_{CC1}$	Supply Voltage		1.7		5.5	V
$V_{CC2}$	Supply Voltage		2.5		5.5	V
$V_{CC3}$	Supply Voltage		4.5		5.5	V
$I_{CC}$	Supply Current	$V_{CC} = 5.0\text{V}$	READ at 1.0MHz	0.5	2.0	mA
			WRITE at 1.0MHz	0.5	2.0	mA
$I_{SB1}$	Standby Current	$V_{CC} = 1.7\text{V}$	CS = 0V	0.4	1.0	$\mu\text{A}$
$I_{SB2}$	Standby Current	$V_{CC} = 2.5\text{V}$	CS = 0V	6.0	10.0	$\mu\text{A}$
$I_{SB3}$	Standby Current	$V_{CC} = 5.0\text{V}$	CS = 0V	10.0	15.0	$\mu\text{A}$
$I_{IL}$	Input Leakage	$V_{IN} = 0\text{V}$ to $V_{CC}$		0.1	3.0	$\mu\text{A}$
$I_{OL}$	Output Leakage	$V_{IN} = 0\text{V}$ to $V_{CC}$		0.1	3.0	$\mu\text{A}$
$V_{IL1}^{(1)}$	Input Low Voltage	$2.5\text{V} \leq V_{CC} \leq 5.5\text{V}$	-0.6		0.8	V
$V_{IH1}^{(1)}$	Input High Voltage		2.0		$V_{CC} + 1$	
$V_{IL2}^{(1)}$	Input Low Voltage	$1.7\text{V} \leq V_{CC} \leq 2.5\text{V}$	-0.6		$V_{CC} \times 0.3$	V
$V_{IH2}^{(1)}$	Input High Voltage		$V_{CC} \times 0.7$		$V_{CC} + 1$	
$V_{OL1}$	Output Low Voltage	$2.5\text{V} \leq V_{CC} \leq 5.5\text{V}$	$I_{OL} = 2.1\text{mA}$		0.4	V
			$I_{OH} = -0.4\text{mA}$	2.4		V
$V_{OH1}$	Output High Voltage	$2.5\text{V} \leq V_{CC} \leq 5.5\text{V}$	$I_{OL} = 0.15\text{mA}$		0.2	V
			$I_{OH} = -100\mu\text{A}$	$V_{CC} - 0.2$		V

Notes: 1.  $V_{IL}$  min and  $V_{IH}$  max are reference only, and are not tested

Table 1-3. AC Characteristics

Applicable over recommended operating range from  $T_{AI} = -40^{\circ}\text{C}$  to  $+85^{\circ}\text{C}$ ,  $V_{CC} =$  as specified,  $CL = 1$  TTL gate and  $100\text{pF}$  (unless otherwise noted)

Symbol	Parameter	Test Condition	Min	Typ	Max	Units
$f_{SK}$	SK Clock Frequency	$4.5\text{V} \leq V_{CC} \leq 5.5\text{V}$ $2.5\text{V} \leq V_{CC} \leq 5.5\text{V}$ $1.7\text{V} \leq V_{CC} \leq 5.5\text{V}$	0 0 0		2 1 0.25	MHz
$t_{SKH}$	SK High Time	$2.5\text{V} \leq V_{CC} \leq 5.5\text{V}$ $1.7\text{V} \leq V_{CC} \leq 5.5\text{V}$	250 1000			ns
$t_{SKL}$	SK Low Time	$2.5\text{V} \leq V_{CC} \leq 5.5\text{V}$ $1.7\text{V} \leq V_{CC} \leq 5.5\text{V}$	250 1000			ns
$t_{CS}$	Minimum CS Low Time	$2.5\text{V} \leq V_{CC} \leq 5.5\text{V}$ $1.7\text{V} \leq V_{CC} \leq 5.5\text{V}$	250 1000			ns
$t_{CSS}$	CS Setup Time	Relative to SK $2.5\text{V} \leq V_{CC} \leq 5.5\text{V}$ $1.7\text{V} \leq V_{CC} \leq 5.5\text{V}$	50 200			ns
$t_{DIS}$	DI Setup Time	Relative to SK $2.5\text{V} \leq V_{CC} \leq 5.5\text{V}$ $1.7\text{V} \leq V_{CC} \leq 5.5\text{V}$	100 400			ns
$t_{CSH}$	CS Hold Time	Relative to SK	0			ns
$t_{DIH}$	DI Hold Time	Relative to SK $2.5\text{V} \leq V_{CC} \leq 5.5\text{V}$ $1.7\text{V} \leq V_{CC} \leq 5.5\text{V}$	100 400			ns
$t_{PD1}$	Output Delay to 1	AC Test $2.5\text{V} \leq V_{CC} \leq 5.5\text{V}$ $1.7\text{V} \leq V_{CC} \leq 5.5\text{V}$			250 1000	ns
$t_{PDO}$	Output Delay to 0	AC Test $2.5\text{V} \leq V_{CC} \leq 5.5\text{V}$ $1.7\text{V} \leq V_{CC} \leq 5.5\text{V}$			250 1000	ns
$t_{SV}$	CS to Status Valid	AC Test $2.5\text{V} \leq V_{CC} \leq 5.5\text{V}$ $1.7\text{V} \leq V_{CC} \leq 5.5\text{V}$			250 1000	ns
$t_{DF}$	CS to DO in High Impedance	AC Test $2.5\text{V} \leq V_{CC} \leq 5.5\text{V}$ $1.7\text{V} \leq V_{CC} \leq 5.5\text{V}$ CS = $V_{IL}$			150 400	ns
$t_{WIP}$	Write Cycle Time	$1.7\text{V} \leq V_{CC} \leq 5.5\text{V}$			5	ms
Endurance <sup>(1)</sup>	5.0V, 25°C		1,000,000			Write Cycles

Notes: 1. This parameter is characterized, and is not 100% tested

Table 1-4. Instruction Set for the Atmel AT93C56B and Atmel AT93C66B

Instruction	SB	Op Code	Address		Data		Comments
			x 8	x 16	x 8	x 16	
READ	1	10	$A_8 - A_0$	$A_7 - A_0$			Reads data stored in memory at specified address
EWEN	1	00	11XXXXXXXX	11XXXXXX			Write enable must precede all programming modes
ERASE	1	11	$A_8 - A_0$	$A_7 - A_0$			Erases memory location $A_n - A_0$
WRITE	1	01	$A_8 - A_0$	$A_7 - A_0$	$D_7 - D_0$	$D_{15} - D_0$	Writes memory location $A_n - A_0$
ERAL	1	00	10XXXXXXXX	10XXXXXX			Erases all memory locations. Valid only at $V_{CC} = 4.5V$ to $5.5V$
WRAL	1	00	01XXXXXXXX	01XXXXXX	$D_7 - D_0$	$D_{15} - D_0$	Writes all memory locations. Valid only at $V_{CC} = 5.0V \pm 10\%$ and disable register cleared
EWDS	1	00	00XXXXXXXX	00XXXXXX			Disables all programming instructions

Note: The Xs in the address field represent "don't care" values, and must be clocked

## 2. Functional Description

The Atmel® AT93C56B/66B is accessed via a simple and versatile three-wire serial communication interface. Device operation is controlled by seven instructions issued by the host processor. A valid instruction starts with a rising edge of CS, and consists of a start bit (logic one) followed by the appropriate op code and the desired memory address location.

**READ (READ):** The read (READ) instruction contains the address code for the memory location to be read. After the instruction and address are decoded, data from the selected memory location is available at the serial output pin, DO. Output data changes are synchronized with the rising edges of the serial clock, SK. It should be noted that a dummy bit (logic zero) precedes the 8- or 16-bit data output string. The AT93C56B/66B supports sequential read operations. The device will automatically increment the internal address pointer and clock out the next memory location as long as chip select (CS) is held high. In this case, the dummy bit (logic zero) will not be clocked out between memory locations, thus allowing for a continuous stream of data to be read.

**ERASE/WRITE ENABLE (EWEN):** To assure data integrity, the part automatically goes into the erase/write disable (EWDS) state when power is first applied. An erase/write enable (EWEN) instruction must be executed first before any programming instructions can be carried out. Please note that once in the EWEN state, programming remains enabled until an EWDS instruction is executed or  $V_{CC}$  power is removed from the part.

**ERASE (ERASE):** The erase (ERASE) instruction programs all bits in the specified memory location to the logic-one state. The self-timed erase cycle starts once the ERASE instruction and address are decoded. The DO pin outputs the ready/busy status of the part if CS is brought high after being kept low for a minimum of 250ns ( $t_{CS}$ ). A logic one at pin DO indicates that the selected memory location has been erased and the part is ready for another instruction.

**WRITE (WRITE):** The Write (WRITE) instruction contains the 8- or 16-bits of data to be written into the specified memory location. The self-timed programming cycle,  $t_{WP}$ , starts after the last bit of data is received at serial data input pin DI. The DO pin outputs the ready/busy status of the part if CS is brought high after being kept low for a minimum of 250ns ( $t_{CS}$ ). A logic zero at DO indicates that programming is still in progress. A logic one indicates that the memory location at the specified address has been written with the data pattern contained in the instruction and the part is ready for further instructions. A ready/busy status cannot be obtained if CS is brought high after the end of the self-timed programming cycle,  $t_{WP}$ .

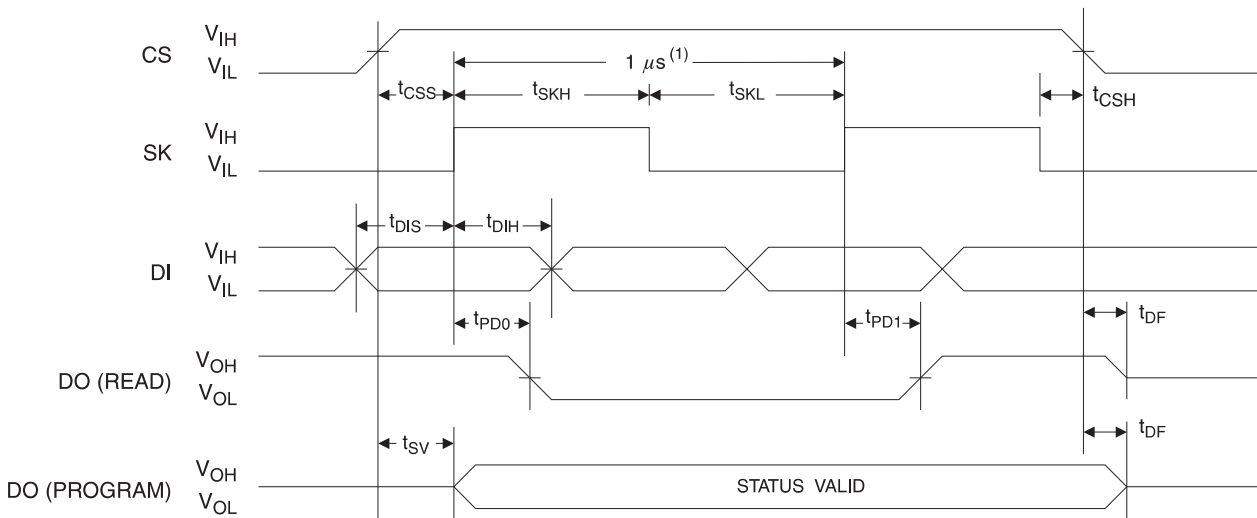
**ERASE ALL (ERAL):** The erase all (ERAL) instruction programs every bit in the memory array to the logic one state, and is primarily used for testing purposes. The DO pin outputs the ready/busy status of the part if CS is brought high after being kept low for a minimum of 250ns ( $t_{CS}$ ). The ERAL instruction is valid only at  $V_{CC} = 5.0V \pm 10\%$ .

**WRITE ALL (WRAL):** The write all (WRAL) instruction programs all memory locations with the data patterns specified in the instruction. The DO pin outputs the ready/busy status of the part if CS is brought high after being kept low for a minimum of 250ns ( $t_{CSS}$ ). The WRAL instruction is valid only at  $V_{CC} = 5.0V \pm 10\%$ .

**ERASE/WRITE DISABLE (EWDS):** To protect against accidental data disturbance, the erase/write disable (EWDS) instruction disables all programming modes, and should be executed after all programming operations. The operation of the READ instruction is independent of both the EWEN and EWDS instructions, and can be executed at any time.

### 3. Timing Diagrams

Figure 3-1. Synchronous Data Timing



Note: 1. This is the minimum SK period

Table 3-1. Organization Key for Timing Diagrams

I/O	Atmel AT93C56B (2K)		Atmel AT93C66B (4K)	
	x 8	x 16	x 8	x 16
$A_N$	$A_8^{(1)}$	$A_7^{(2)}$	$A_8$	$A_7$
$D_N$	$D_7$	$D_{15}$	$D_7$	$D_{15}$

Notes: 1.  $A_8$  is a don't-care value, but the extra clock is required  
 2.  $A_7$  is a don't-care value, but the extra clock is required

Figure 3-2. READ Timing

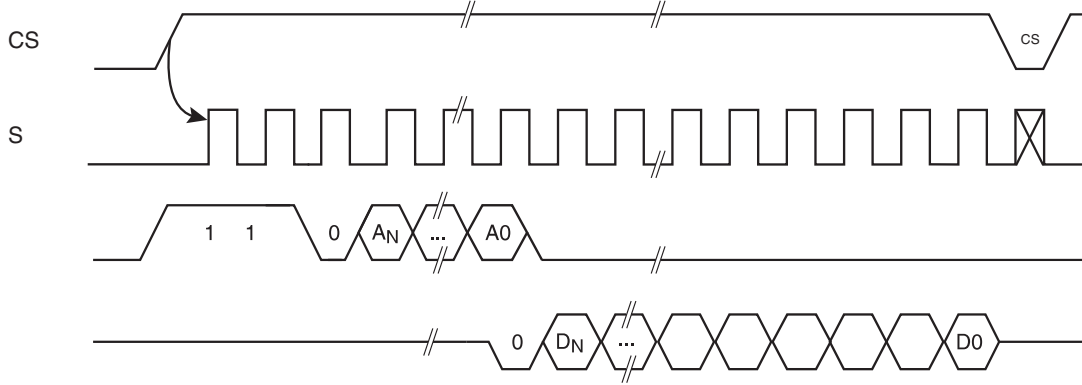


Figure 3-3. EWEN Timing

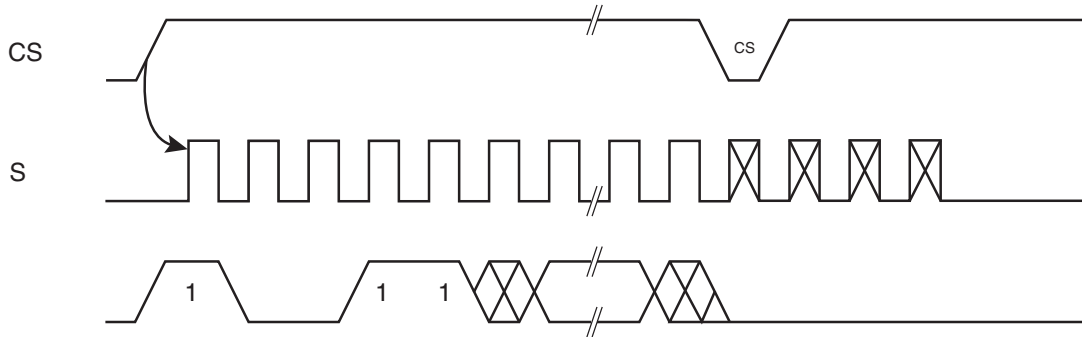


Figure 3-4. EWDS Timing

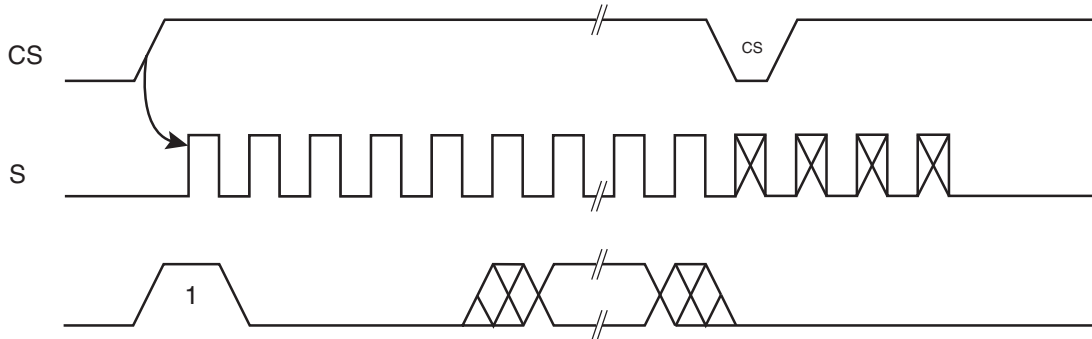


Figure 3-5. WRITE Timing

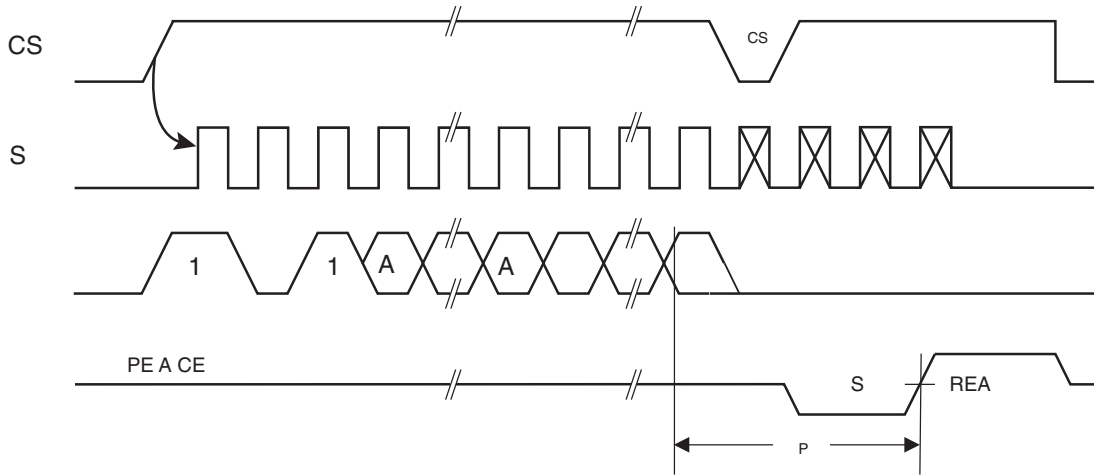
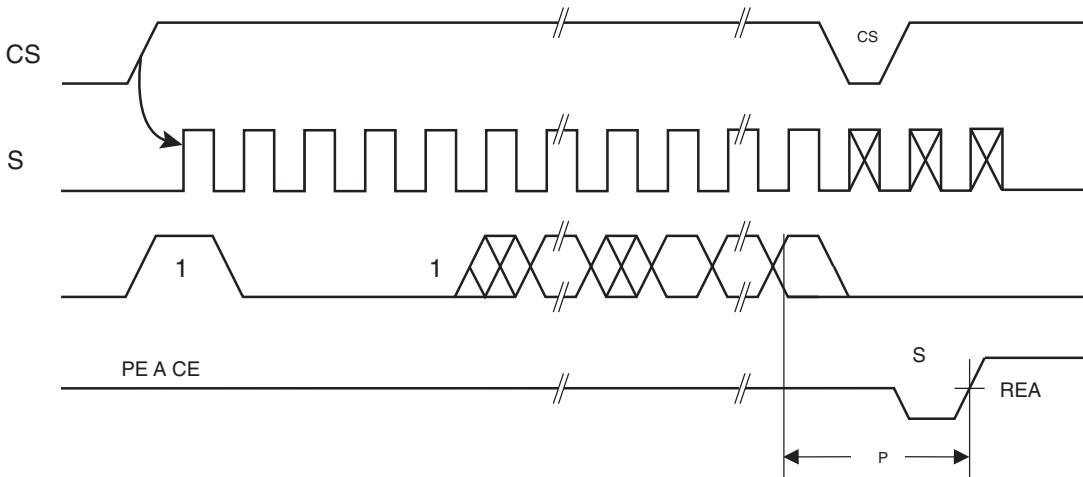


Figure 3-6. WRAL Timing<sup>(1)</sup>



Note: 1. Valid only at  $V_{CC} = 4.5V$  to  $5.5V$



Figure 3-7. ERASE Timing

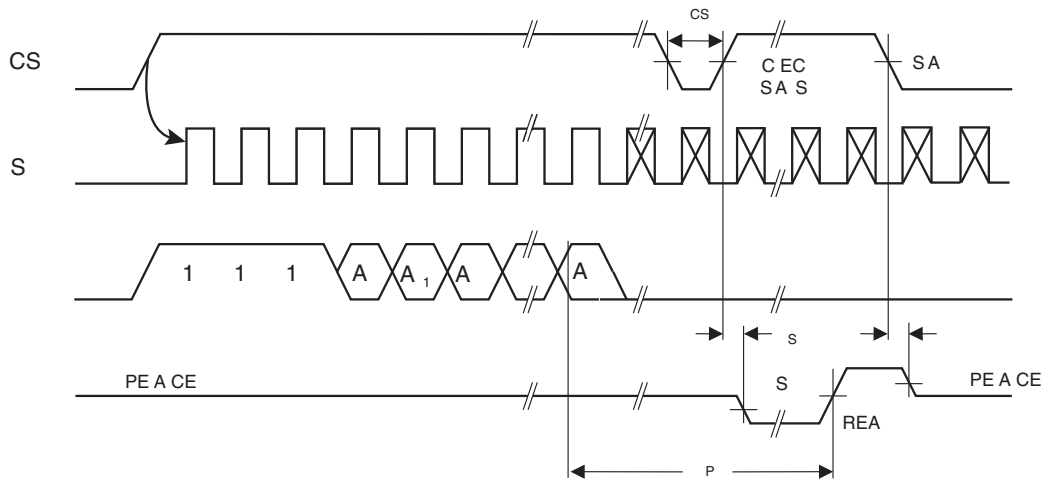
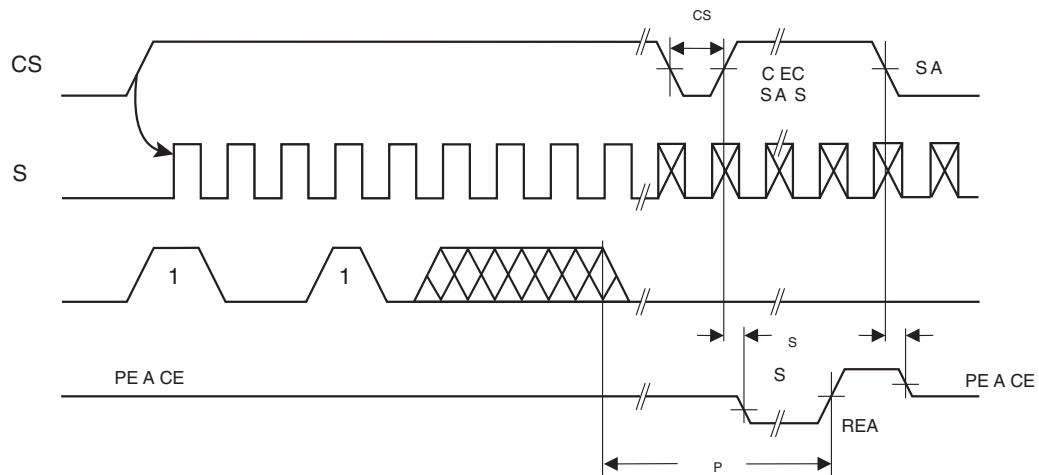
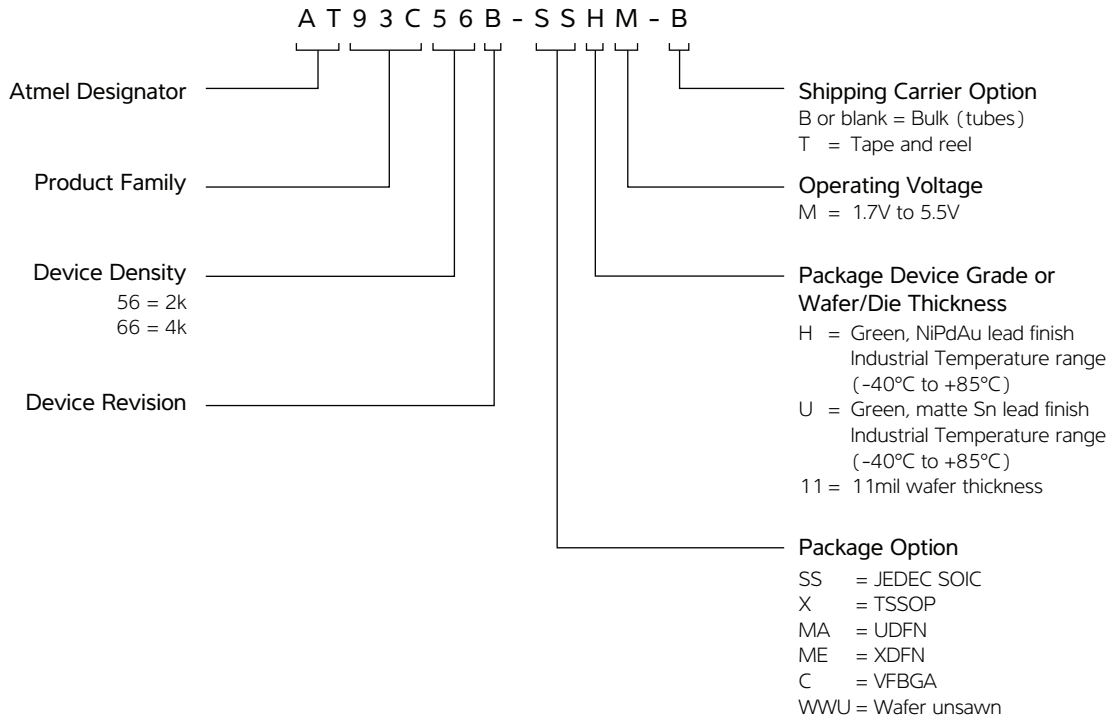


Figure 3-8. ERAL Timing<sup>(1)</sup>



Note: 1. Valid only at  $V_{CC} = 4.5V$  to  $5.5V$

#### 4. Ordering Code Detail



5. Part Markings

5.1 Atmel AT93C56B

**8 lead SOIC**  
3 Rows of 8 Characters

**8 lead TSSOP**  
3 Rows  
2 of 6 and 1 of 7 Characters

**8 lead XDFN - 1.8x2.2mm**  
2 Rows of 3 Characters

**8-ball VFBGA - 2.35x3.73mm**  
2 Rows  
1 of 4 and 1 of 5 Characters

**8 lead UDFN -2.0x3.0mm**  
3 Rows of 3 Characters

Catalog Number: AT93C56B      Catalog Truncation: 56B

Date Codes			Voltages
Y = Year	M = Month	WW = Work Week of Assembly	Blank: 2.7v min
0: 2010    4: 2014	A: January	02: Week 2	D: 2.5v min
1: 2011    5: 2015	B: February	04: Week 4	L: 1.8v min
2: 2012    6: 2016	" " "	" " "	M: 1.7v min
3: 2013    7: 2017	L: December	52: Week 52	P: 1.5v min
Trace Code			Grade/Lead Finish Material
XX = Trace Code (ATMEL Lot Numbers to Correspond to Code) (e.g. XX: AA, AB...YZ, ZZ)			U: Industrial/Matt Tin
Lot Number			H: Industrial/NiPdAu
AAAAAAA = ATMEL Wafer Lot Number			ATMEL Truncation
Country of Assembly			AT: ATMEL
@ = Country of Assembly			ATM: ATMEL
B = PHILIPPINES    W = THAILAND    Q = MALAYSIA    H,Y = CHINA			ATML: ATMEL

1/12/11

Package Mark Contact: DL-CSO-Assy_eng@atmel.com	TITLE <b>93C56BSM</b> , AT93C56B Standard Marking Information for Package Offering	DRAWING NO. 93C56BSM	REV. A
--	--	-------------------------	-----------

## 5.2 Atmel AT93C66B

**8 lead SOIC**  
3 Rows of 8 Characters

**8 lead TSSOP**  
3 Rows  
2 of 6 and 1 of 7 Characters

**8 lead XDFN - 1.8x2.2mm**  
2 Rows of 3 Characters

**8-ball VFBGA - 2.35x3.73mm**  
2 Rows  
1 of 4 and 1 of 5 Characters

**8 lead UDFN - 2.0x3.0mm**  
3 Rows of 3 Characters

Catalog Number: AT93C66B      Catalog Truncation: 66B

Date Codes			Voltages
Y = Year	M = Month	WW = Work Week of Assembly	Blank: 2.7v min
0: 2010    4: 2014	A: January	02: Week 2	D: 2.5v min
1: 2011    5: 2015	B: February	04: Week 4	L: 1.8v min
2: 2012    6: 2016	" " "	" " "	M: 1.7v min
3: 2013    7: 2017	L: December	52: Week 52	P: 1.5v min
Trace Code			Grade/Lead Finish Material
XX = Trace Code (ATMEL Lot Numbers to Correspond to Code) (e.g. XX: AA, AB...YZ, ZZ)			U: Industrial/Matt Tin
Lot Number			H: Industrial/NiPdAu
AAAAAAA = ATMEL Wafer Lot Number			ATMEL Truncation
Country of Assembly			AT: ATMEL
@ = Country of Assembly B = PHILIPPINES    W = THAILAND    Q = MALAYSIA    H,Y = CHINA			ATM: ATMEL
			ATML: ATMEL

1/12/11

Package Mark Contact: DL-CSO-Assy_eng@atmel.com	TITLE	DRAWING NO.	REV.
	<b>93C66BSM</b> , AT93C66B Standard Marking Information for Package Offering	93C66BSM	A

## 5.3 Atmel AT93C56B Ordering Information

Atmel Ordering Code	Voltage	Package	Operation Range
AT93C56B-SSHM-B <sup>(1)</sup> (NiPdAu Lead Finish)	1.7 to 5.5	8S1	Lead-free/Halogen-free/ Industrial Temperature (-40°C to 85°C)
AT93C56B-SSHM-T <sup>(2)</sup> (NiPdAu Lead Finish)	1.7 to 5.5	8S1	
AT93C56B-XHM-B <sup>(1)</sup> (NiPdAu Lead Finish)	1.7 to 5.5	8A2	
AT93C56B-XHM-T <sup>(2)</sup> (NiPdAu Lead Finish)	1.7 to 5.5	8A2	
AT93C56B-MAHM-T <sup>(2)</sup> (NiPdAu Lead Finish)	1.7 to 5.5	8Y6	
AT93C56B-MEHM-T <sup>(2)</sup> (NiPdAu Lead Finish)	1.7 to 5.5	8ME1	
AT93C56B-CUM-T <sup>(2)</sup> (NiPdAu Lead Finish)	1.7 to 5.5	8U3-1	
AT93C56B-WWU11M	1.7 to 5.5	Die Sale	Industrial Temperature (-40°C to 85°C)

- Notes:
1. "-B" denotes bulk delivery
  2. "-T" denotes tape and reel delivery. SOIC = 4k/reel. TSSOP UDFN, XDFN, and VFBGA = 5k/reel
  3. For wafer sales, please contact Atmel sales

Package Type	
8S1	8-lead, 0.150" Wide, Plastic Gull Wing, Small Outline Package (JEDEC SOIC)
8A2	8-lead, 0.170" Wide, Thin Shrink Small Outline Package (TSSOP)
8Y6	8-lead, 2.00 mm x 3.00 mm Body, 0.50 mm Pitch, Ultra Thin Dual No Lead Package (UDFN)
8ME1	8-lead, 1.80mm x 2.20mm Body (XDFN)
8U3-1	8-ball, 1.50mm x 2.00mm Body, 0.50mm Pitch, Small Die Ball Grid Array (VFBGA)

## 5.4 Atmel AT93C66B Ordering Information

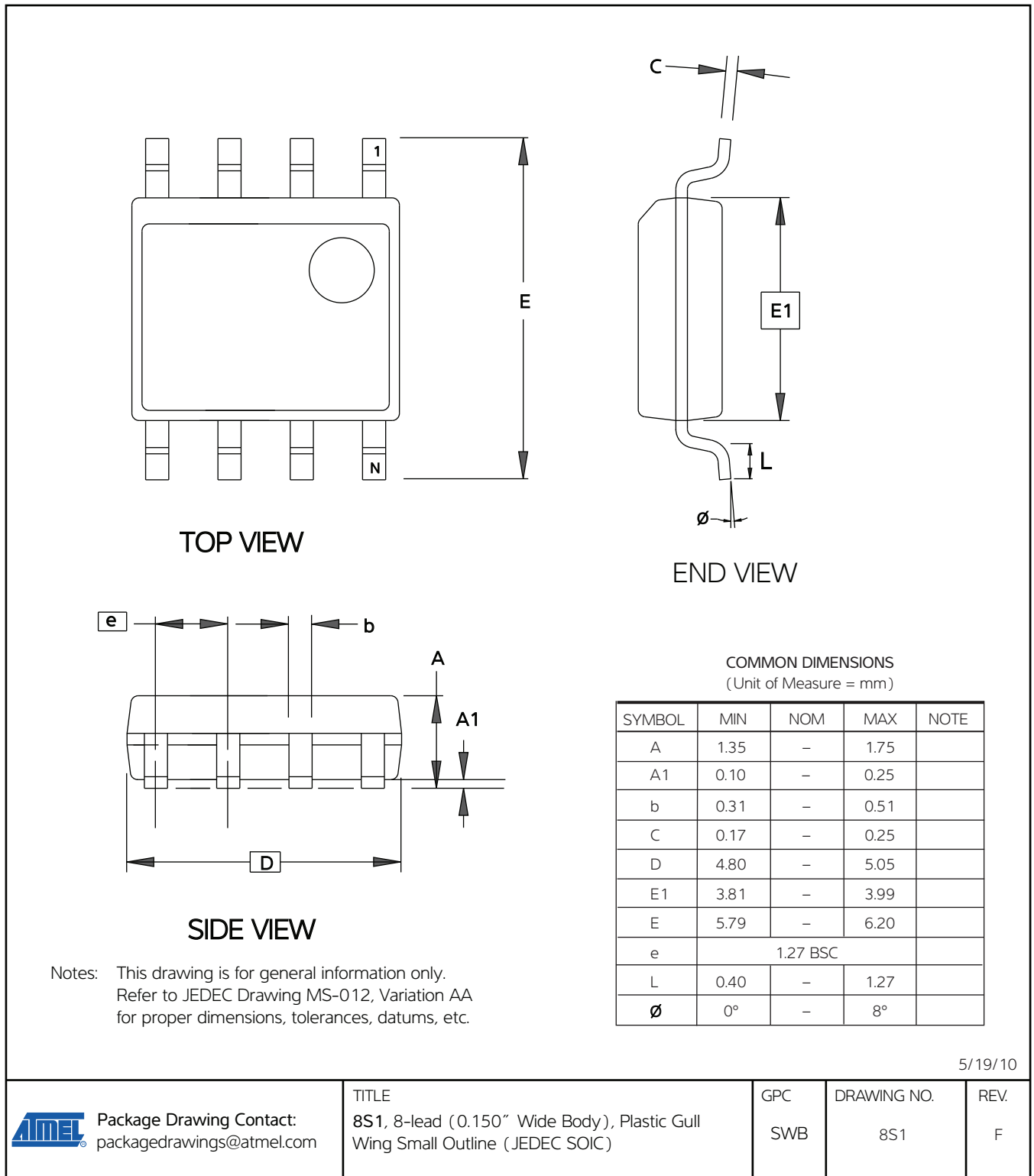
Atmel Ordering Code	Voltage	Package	Operation Range
AT93C66B-SSHM-B <sup>(1)</sup> (NiPdAu Lead Finish)	1.7 to 5.5	8S1	Lead-free/Halogen-free/ Industrial Temperature (-40°C to 85°C)
AT93C66B-SSHM-T <sup>(2)</sup> (NiPdAu Lead Finish)	1.7 to 5.5	8S1	
AT93C66B-XHM-B <sup>(1)</sup> (NiPdAu Lead Finish)	1.7 to 5.5	8A2	
AT93C66B-XHM-T <sup>(2)</sup> (NiPdAu Lead Finish)	1.7 to 5.5	8A2	
AT93C66B-MAHM-T <sup>(2)</sup> (NiPdAu Lead Finish)	1.7 to 5.5	8Y6	
AT93C66B-MEHM-T <sup>(2)</sup> (NiPdAu Lead Finish)	1.7 to 5.5	8ME1	
AT93C66B-CUM-T <sup>(2)</sup> (NiPdAu Lead Finish)	1.7 to 5.5	8U3-1	
AT93C56B-WWU11M	1.7 to 5.5	Die Sale	Industrial Temperature (-40°C to 85°C)

- Notes:
1. "-B" denotes bulk delivery
  2. "-T" denotes tape and reel delivery. SOIC = 4k/reel. TSSOP UDFN, XDFN, and VFBGA = 5k/reel
  3. For wafer sales, please contact Atmel sales

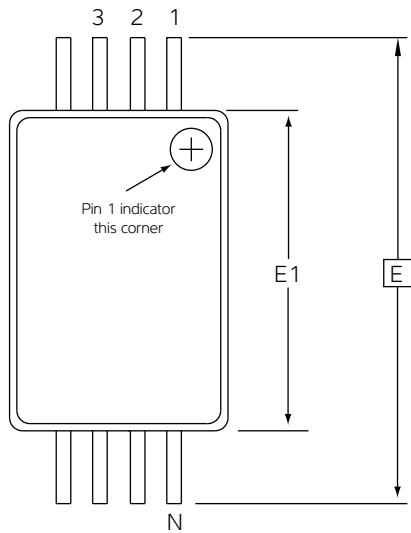
Package Type	
8S1	8-lead, 0.150" Wide, Plastic Gull Wing, Small Outline Package (JEDEC SOIC)
8A2	8-lead, 0.170" Wide, Thin Shrink Small Outline Package (TSSOP)
8Y6	8-lead, 2.00 mm x 3.00 mm Body, 0.50 mm Pitch, Ultra Thin Dual No Lead Package (UDFN)
8ME1	8-lead, 1.80mm x 2.20mm Body (XDFN)
8U3-1	8-ball, 1.50mm x 2.00mm Body, 0.50mm Pitch, Small Die Ball Grid Array (VFBGA)

6. Packaging Information

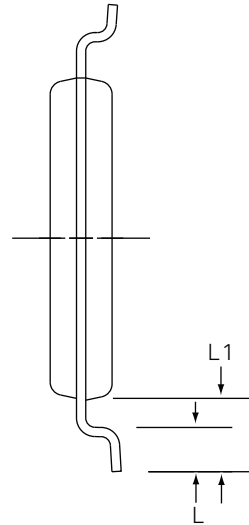
8S1 – JEDEC SOIC



# 8A2 – TSSOP



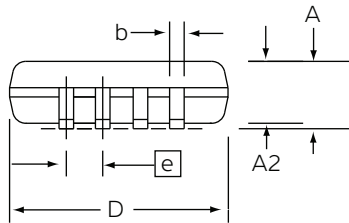
Top View



End View

**COMMON DIMENSIONS**  
(Unit of Measure = mm)

SYMBOL	MIN	NOM	MAX	NOTE
D	2.90	3.00	3.10	2, 5
E	6.40 BSC			
E1	4.30	4.40	4.50	3, 5
A	-	-	1.20	
A2	0.80	1.00	1.05	
b	0.19	-	0.30	4
e	0.65 BSC			
L	0.45	0.60	0.75	
L1	1.00 REF			



Side View

- Notes:
1. This drawing is for general information only. Refer to JEDEC Drawing MO-153, Variation AA, for proper dimensions, tolerances, datums, etc.
  2. Dimension D does not include mold Flash, protrusions or gate burrs. Mold Flash, protrusions and gate burrs shall not exceed 0.15mm (0.006in) per side.
  3. Dimension E1 does not include inter-lead Flash or protrusions. Inter-lead Flash and protrusions shall not exceed 0.25mm (0.010in) per side.
  4. Dimension b does not include Dambar protrusion. Allowable Dambar protrusion shall be 0.08mm total in excess of the b dimension at maximum material condition. Dambar cannot be located on the lower radius of the foot. Minimum space between protrusion and adjacent lead is 0.07mm.
  5. Dimension D and E1 to be determined at Datum Plane H.

5/19/10



Package Drawing Contact:  
packagedrawings@atmel.com

TITLE  
**8A2**, 8-lead 4.4mm Body, Plastic Thin Shrink Small Outline Package (TSSOP)

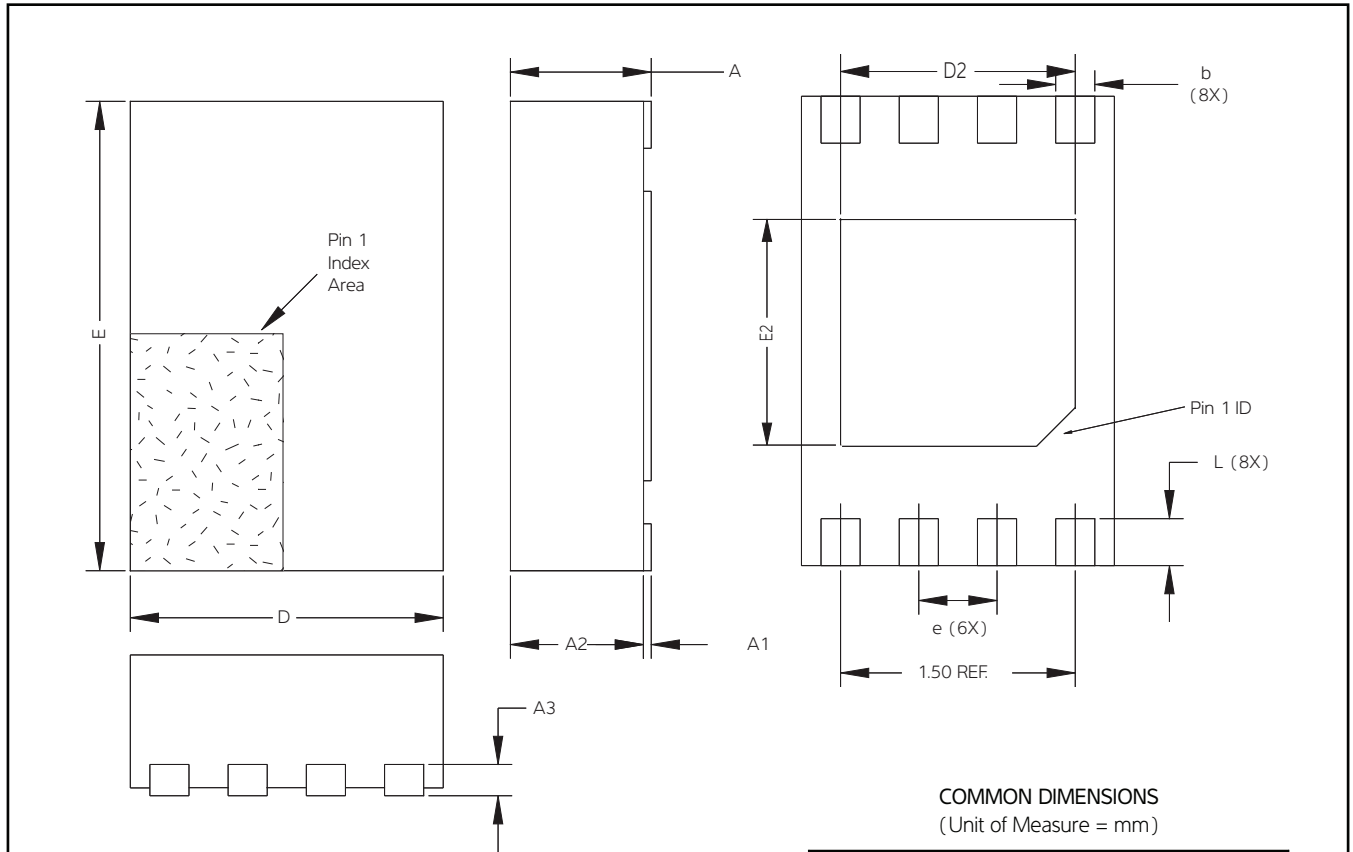
GPC  
TNR

DRAWING NO.  
8A2

REV.  
E



8Y6 – UDFN




COMMON DIMENSIONS  
(Unit of Measure = mm)

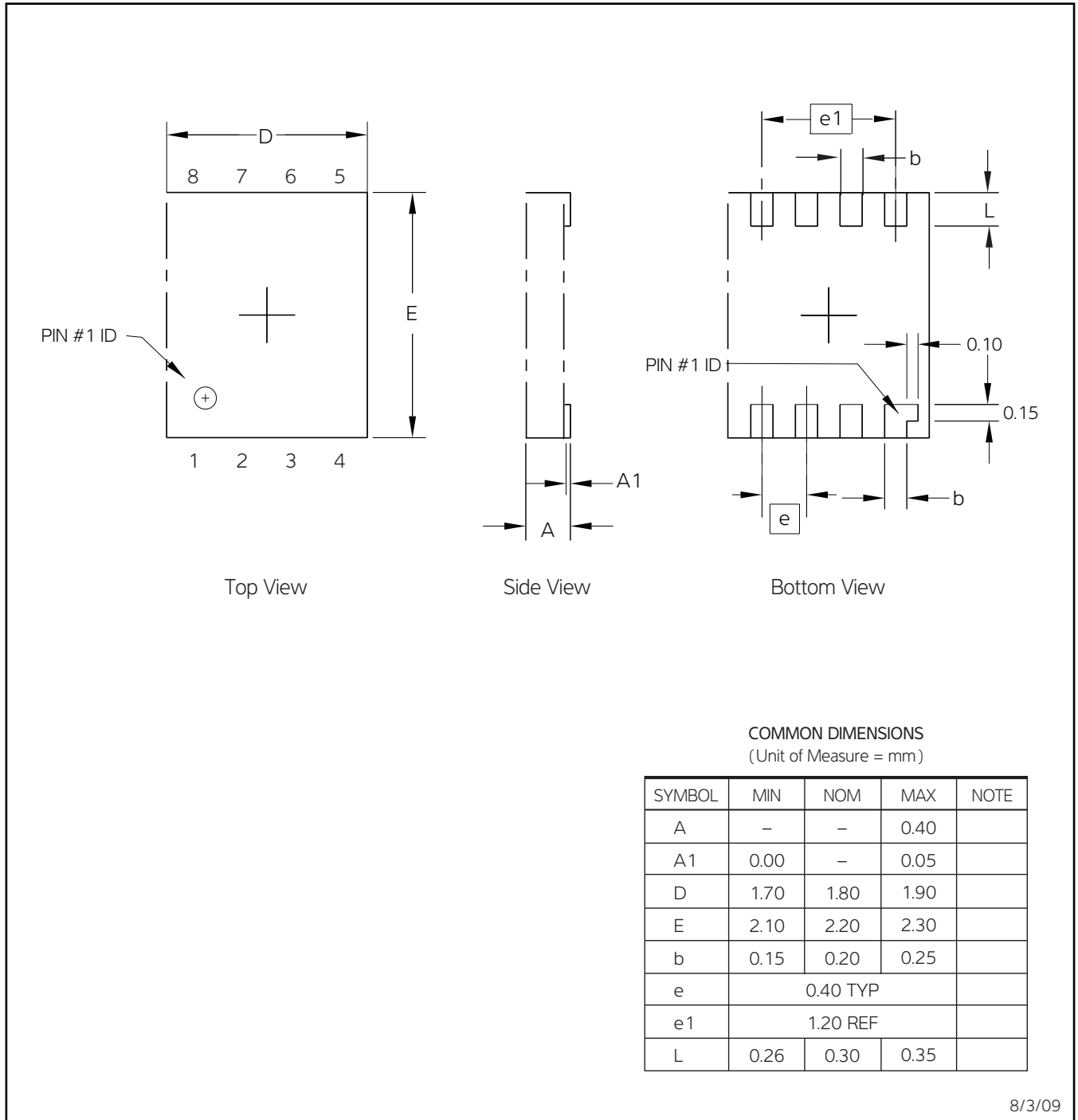
SYMBOL	MIN	NOM	MAX	NOTE
D	2.00 BSC			
E	3.00 BSC			
D2	1.40	1.50	1.60	
E2	-	-	1.40	
A	-	-	0.60	
A1	0.00	0.02	0.05	
A2	-	-	0.55	
A3	0.20 REF			
L	0.20	0.30	0.40	
e	0.50 BSC			
b	0.20	0.25	0.30	2

- Notes:
1. This drawing is for general information only. Refer to JEDEC Drawing MO-229, for proper dimensions, tolerances, datums, etc.
  2. Dimension  $b$  applies to metallized terminal and is measured between 0.15mm and 0.30mm from the terminal tip. If the terminal has the optional radius on the other end of the terminal, the dimension should not be measured in that radius area.
  3. Soldering the large thermal pad is optional, but not recommended. No electrical connection is accomplished to the device through this pad, so if soldered it should be tied to ground

11/21/08

 <b>Package Drawing Contact:</b> packagedrawings@atmel.com	TITLE	GPC	DRAWING NO.	REV.
	8Y6, 8-lead, 2.0x3.0mm Body, 0.50mm Pitch, UltraThin Mini-MAP, Dual No Lead Package (Sawn) (UDFN)	YNZ	8Y6	E

8ME1 – XDFN



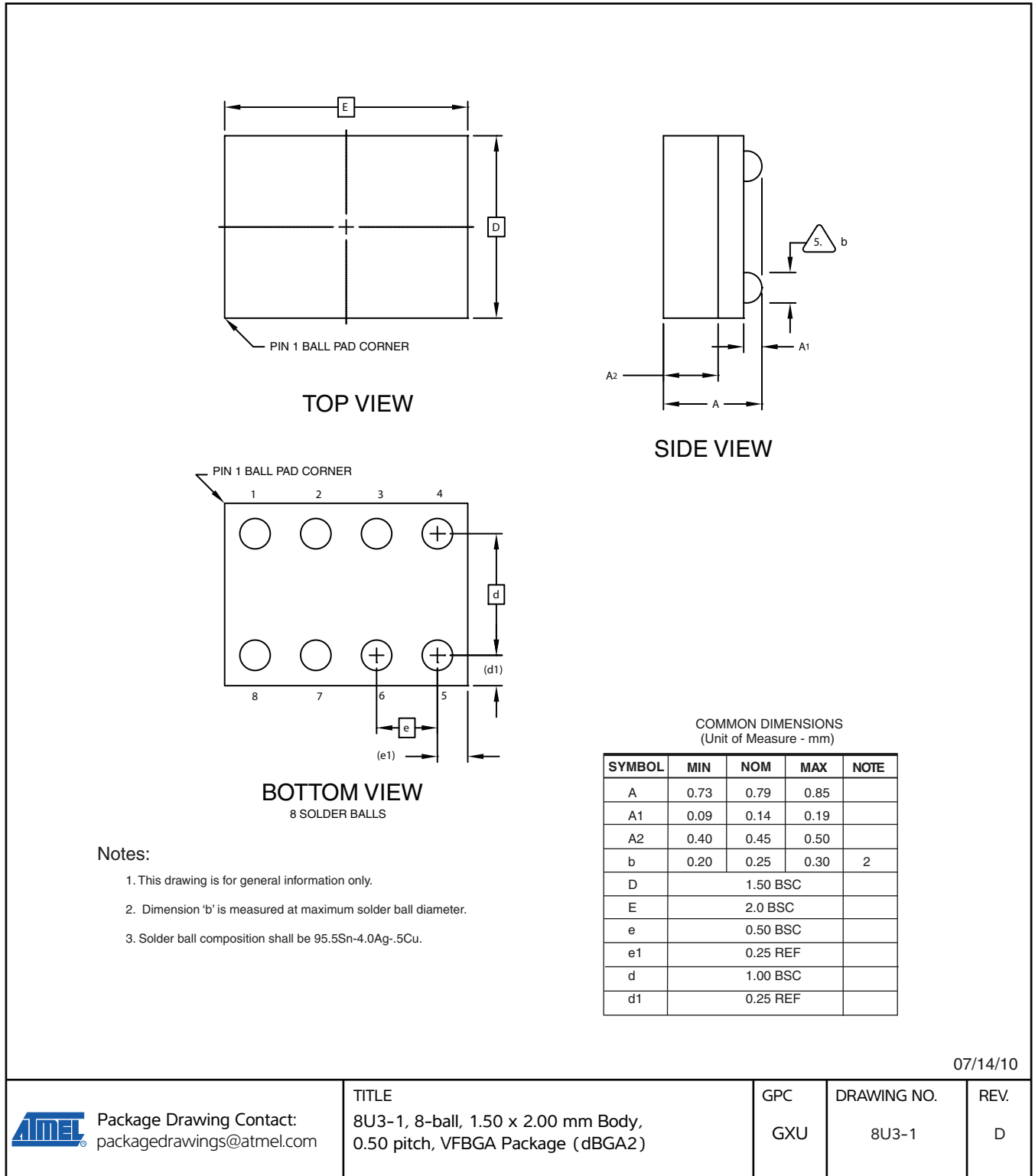
COMMON DIMENSIONS  
(Unit of Measure = mm)

SYMBOL	MIN	NOM	MAX	NOTE
A	-	-	0.40	
A1	0.00	-	0.05	
D	1.70	1.80	1.90	
E	2.10	2.20	2.30	
b	0.15	0.20	0.25	
e	0.40 TYP			
e1	1.20 REF			
L	0.26	0.30	0.35	

8/3/09

Package Drawing Contact: packagedrawings@atmel.com	TITLE	GPC	DRAWING NO.	REV.
	8ME1, 8-lead ( 1.80 x 2.20mm Body) Extra Thin DFN (XDFN)	DTP	8ME1	A

8U3-1 – VFBGA





7. Revision History

Revision No.	Date	Comments
8735A	01/2011	Initial document release



**Atmel Corporation**

2325 Orchard Parkway  
San Jose, CA 95131  
USA

**Tel:** (+1) (408) 441-0311

**Fax:** (+1) (408) 487-2600

[www.atmel.com](http://www.atmel.com)

**Atmel Asia Limited**

Unit 01-5 & 16, 19F  
BEA Tower, Millennium City 5  
418 Kwun Tong Road

Kwun Tong, Kowloon

HONG KONG

**Tel:** (+852) 2245-6100

**Fax:** (+852) 2722-1369

**Atmel Munich GmbH**

Business Campus  
Parkring 4  
D-85748 Garching b. Munich  
GERMANY

**Tel:** (+49) 89-31970-0

**Fax:** (+49) 89-3194621

**Atmel Japan**

9F, Tonetsu Shinkawa Bldg.  
1-24-8 Shinkawa  
Chuo-ku, Tokyo 104-0033  
JAPAN

**Tel:** (+81) (3) 3523-3551

**Fax:** (+81) (3) 3523-7581

© 2011 Atmel Corporation. All rights reserved. / Rev.: 8735A-SEEPR-1/11

Atmel®, Atmel logo and combinations thereof, and others, are registered trademarks or trademarks of Atmel Corporation or its subsidiaries. Other terms and product names may be trademarks of others.

Disclaimer: The information in this document is provided in connection with Atmel products. No license, express or implied, by estoppel or otherwise, to any intellectual property right is granted by this document or in connection with the sale of Atmel products. EXCEPT AS SET FORTH IN THE ATMEL TERMS AND CONDITIONS OF SALES LOCATED ON THE ATMEL WEBSITE, ATMEL ASSUMES NO LIABILITY WHATSOEVER AND DISCLAIMS ANY EXPRESS, IMPLIED OR STATUTORY WARRANTY RELATING TO ITS PRODUCTS INCLUDING, BUT NOT LIMITED TO, THE IMPLIED WARRANTY OF MERCHANTABILITY, FITNESS FOR A PARTICULAR PURPOSE, OR NON-INFRINGEMENT. IN NO EVENT SHALL ATMEL BE LIABLE FOR ANY DIRECT, INDIRECT, CONSEQUENTIAL, PUNITIVE, SPECIAL OR INCIDENTAL DAMAGES (INCLUDING, WITHOUT LIMITATION, DAMAGES FOR LOSS AND PROFITS, BUSINESS INTERRUPTION, OR LOSS OF INFORMATION) ARISING OUT OF THE USE OR INABILITY TO USE THIS DOCUMENT, EVEN IF ATMEL HAS BEEN ADVISED OF THE POSSIBILITY OF SUCH DAMAGES. Atmel makes no representations or warranties with respect to the accuracy or completeness of the contents of this document and reserves the right to make changes to specifications and products descriptions at any time without notice. Atmel does not make any commitment to update the information contained herein. Unless specifically provided otherwise, Atmel products are not suitable for, and shall not be used in, automotive applications. Atmel products are not intended, authorized, or warranted for use as components in applications intended to support or sustain life.