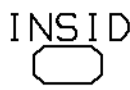
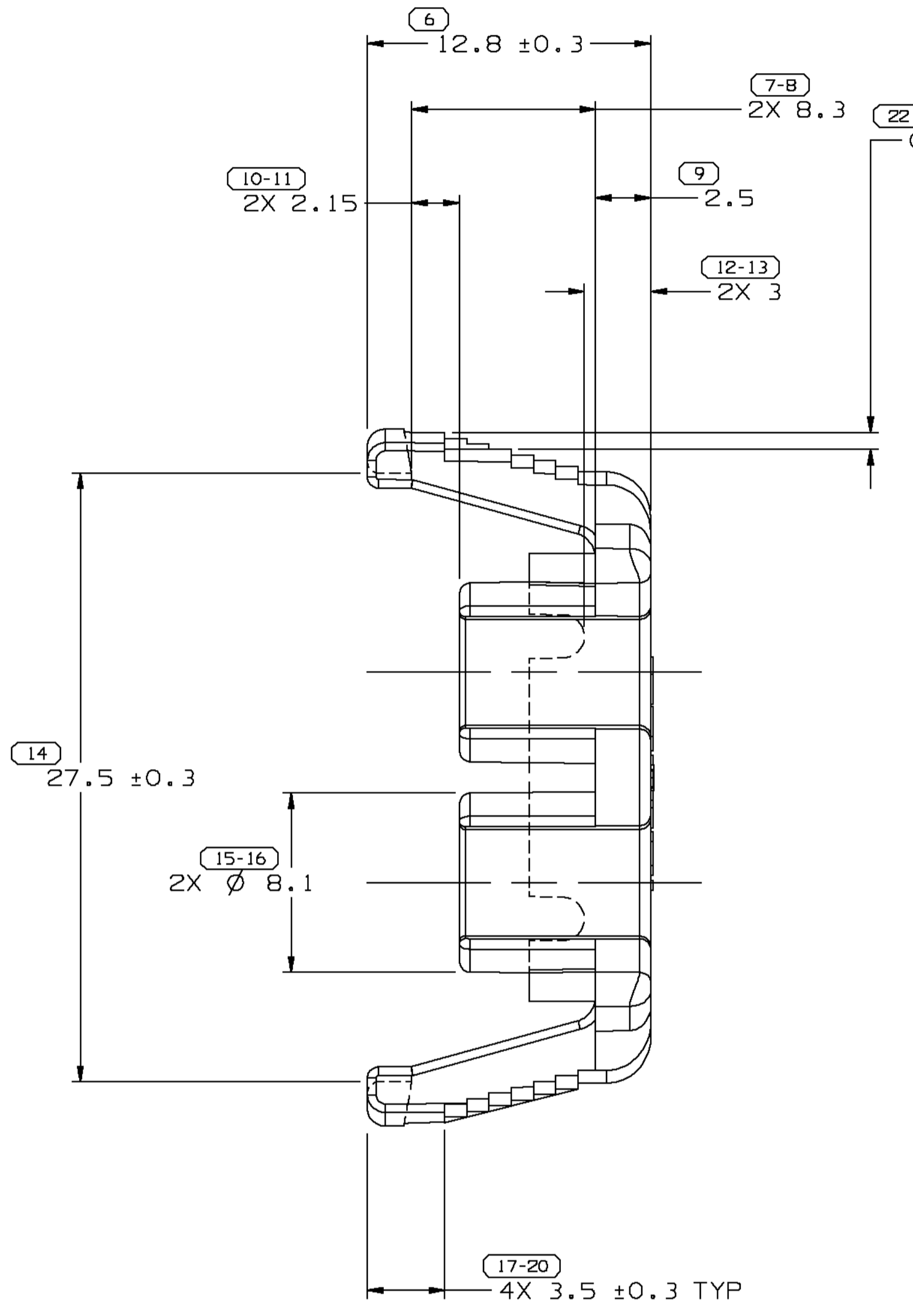
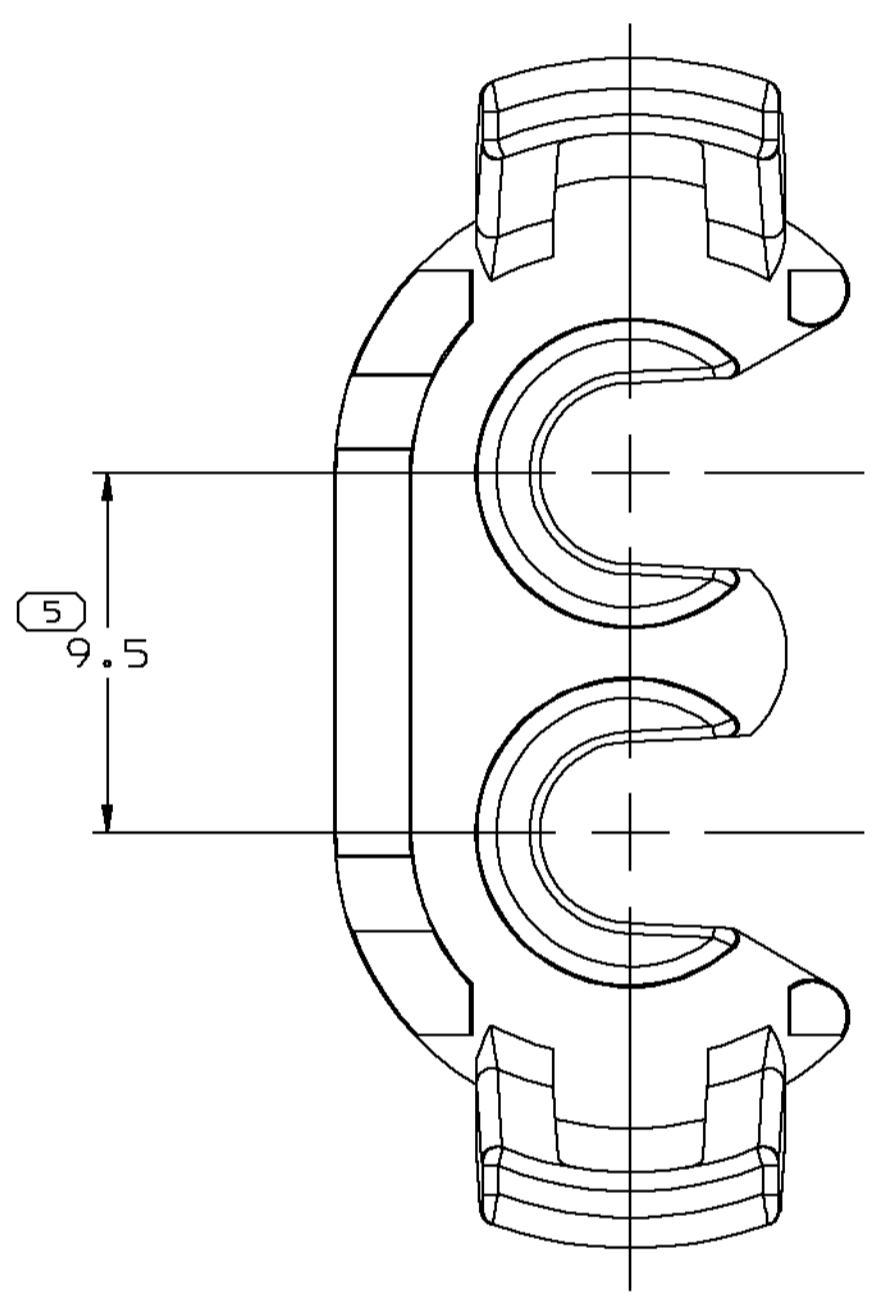
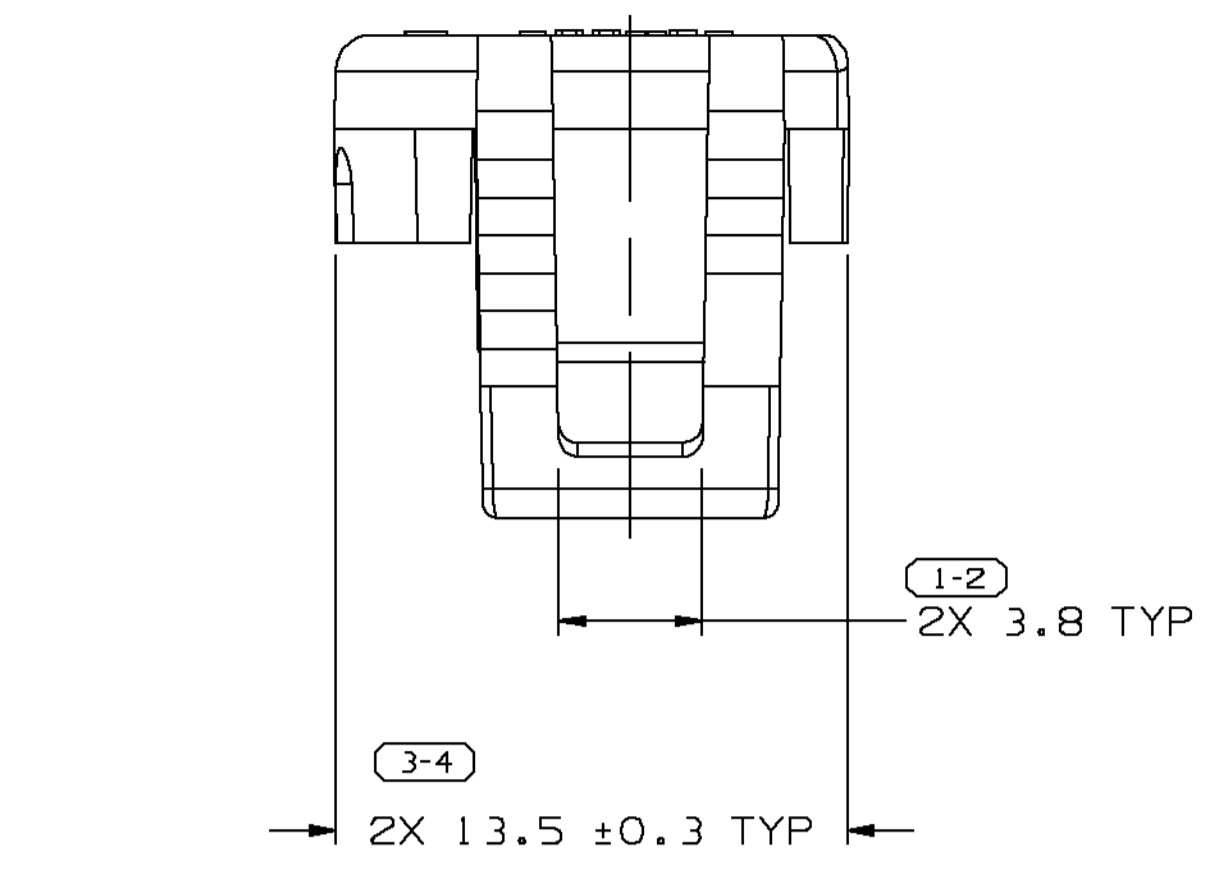
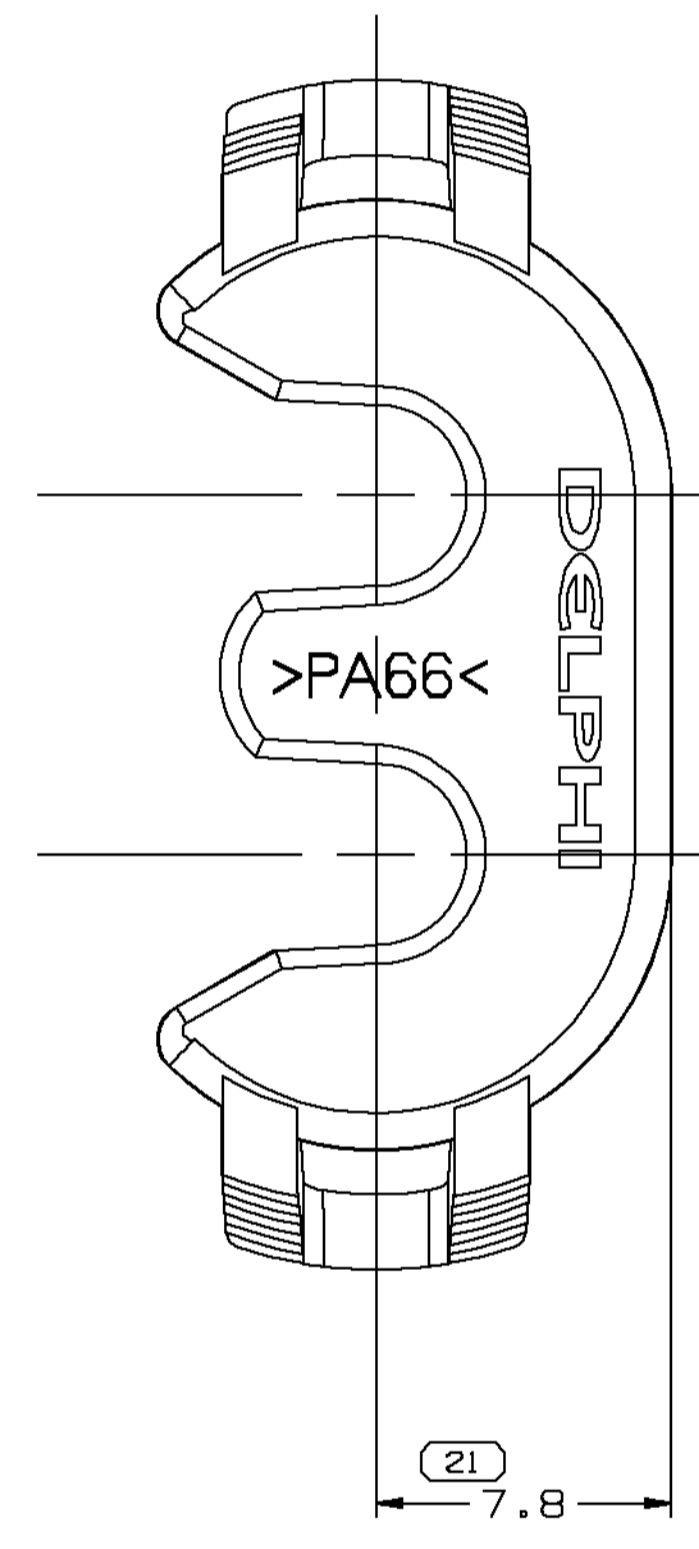


SYMBOL DEFINITION		MISSING NUMBERS	
THE NUMBER INSIDE THE SYMBOL  CORRESPONDS TO THE NUMBER ON THE INSPECTION REPORT FOR THIS DRAWING/PART NUMBER	TOTAL NO. OF SYMBOLS ON DRAWING	13	
	LAST NO. USED	22	

DWG STATUS					ZONE	REVISION HISTORY			AUTH	DR	APVD1	APVD2
DATE	STG	REV	N/P	CHG								
14JA02	R	05	AD	-		CLEARED REV COL; MAT'L SPEC WAS R0071754 PA66 HS 1M BLK & ADDED CORPORATE BRAND			219552	KGP	RVP	JH

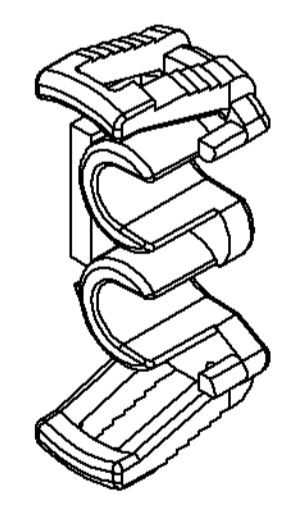


(22) 0.75 (OPTIONAL - GATE LOCATION) FOR FURDER TOLS, GATE SHOULD NOT CHANGE THE THICKNESS OF THE LOCK ARMS FROM ENDS TO THE BASE WHERE ATTACHED. GATE CAN BE LOCATED ON 1 OF ANY OF THE 4 LEGS OF THE LOCK ARMS.

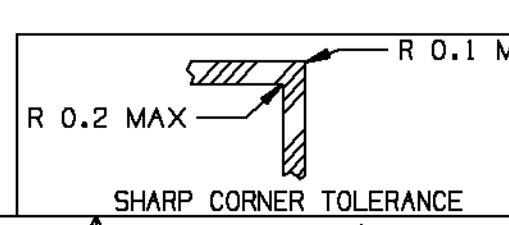


NOTES

- UNLESS OTHERWISE SPECIFIED AND/OR INDICATED: DIMENSIONS ARE TO FACE OF VIEW SHOWN AND AUTOMATICALLY ROUNDED BY COMPUTER FOR INSPECTION. (SEE MATH MODEL FOR PRECISE DIMENSIONS.) FOR ALL OTHER DIMENSIONS NOT SHOWN BUT REQUIRED FOR TOOL BUILD, SEE MATH MODEL FOR PRECISE TOOL PATH DATA.
- THIS PART IS NOT CONTROLLED FOR AUTOMATIC FEEDING.
- MATERIAL RECYCLING CODE >PA66< PER SAE J1344. (2.3)X(0.1) RAISED CHARACTERS AS SHOWN TO BE LOCATED ON ANY EXTERIOR SURFACE. OPTIONAL CONSTRUCTION TO BE NO MATERIAL RECYCLING CODE.
- MATING COMPONENTS OR EQUIVALENT: ASSEMBLY 12052024
- THIS PART ACCEPTS THE FOLLOWING COMPONENTS OR EQUIVALENT:  
MAX CABLE O.D. 4.6 MM  
MIN CABLE O.D. 2.03 MM
- (2.3)X(0.1) RAISED DELPHI CORPORATE BRAND TO BE LOCATED ON ANY EXTERIOR SURFACE, PREFERABLY VISIBLE AT FINAL ASSEMBLY. OPTIONAL CONSTRUCTION TO BE "PED" OR NO LOGO.



"VIEW SCALE DOES NOT REFLECT ACTUAL PART SIZE"



DIMENSIONAL RANGE (MM)		CHART E1	
FROM	TO	TOLERANCE UNLESS OTHERWISE SPECIFIED	ANGULAR TOLERANCE ±2°
> 0	> 20	±0.15	±1
> 20	> 30	±0.2	±1.2
> 30	> 70	±0.3	
> 70	> 100	±0.4	
> 100	> 150	±0.5	
> 150	> 200	±0.6	
> 200	> 250	±0.8	
> 250	> 300	±1	
> 300	> 400	±1.2	

6 PROCESS SENSITIVE DIMENSION  
DIMENSIONS ENCLOSED IN ( ) INDICATE REFERENCE DIMENSIONS AND NO TOLERANCE LIMITS ARE ESTABLISHED

DWG TYPE		PART DRAWING	
STYLE			
VOLUME (CM <sup>3</sup> )	1.187	DISTR CODE	D
ROUTING	6900,6901		
UNLESS OTHERWISE SPECIFIED			
THIS DOCUMENT IS IN ACCORDANCE WITH ASME Y14.5M-1994 AS AMENDED BY THE GM GLOBAL DIMENSIONING AND TOLERANCING ADDENDUM - 1997. ALL GEOMETRIC TOLERANCES AND RELATED DATUMS APPLY PER SAE E11. PERFECT FORM AT MMC DOES NOT APPLY WHEN RELATIONSHIP BETWEEN FEATURES IS ESTABLISHED BY ORIENTATION OR LOCATION TOLERANCES. SEPARATE POSITION CALLOUTS MAY BE GAGED SEPARATELY, REGARDLESS OF DATUM REFERENCE.			
THIRD ANGLE PROJECTION	DO NOT SCALE		
USE MATH DATA		UNIGRAPHICS	

DELPHI	
DELPHI PACKARD ELECTRIC SYSTEMS WARREN, OH	
DR	DATE
APVD1 ANDY C. LEE	01AUB5
APVD2 J. COLDSNOW	25APB6
APVD3 K. GRZENA	28APB6
APVD4	
APVD5	
SUBSTANCES OF CONCERN AND RECYCLED CONTENT PER DELPHI-A 10949001	
MATERIAL	
M3592001 PA66 HS 1M BLK	
DRAWING NAME	
TPA M/P 480	
DRAWING NUMBER	
12059897	
SIZE	SCALE
A1	5:1
FRAME NO	SHEET NO
1 OF 1	1 OF 1
STG	REV
R	05
N/P	AD

# Mouser Electronics

Authorized Distributor

Click to View Pricing, Inventory, Delivery & Lifecycle Information:

[Delphi Connection Systems:](#)

[12059897](#)