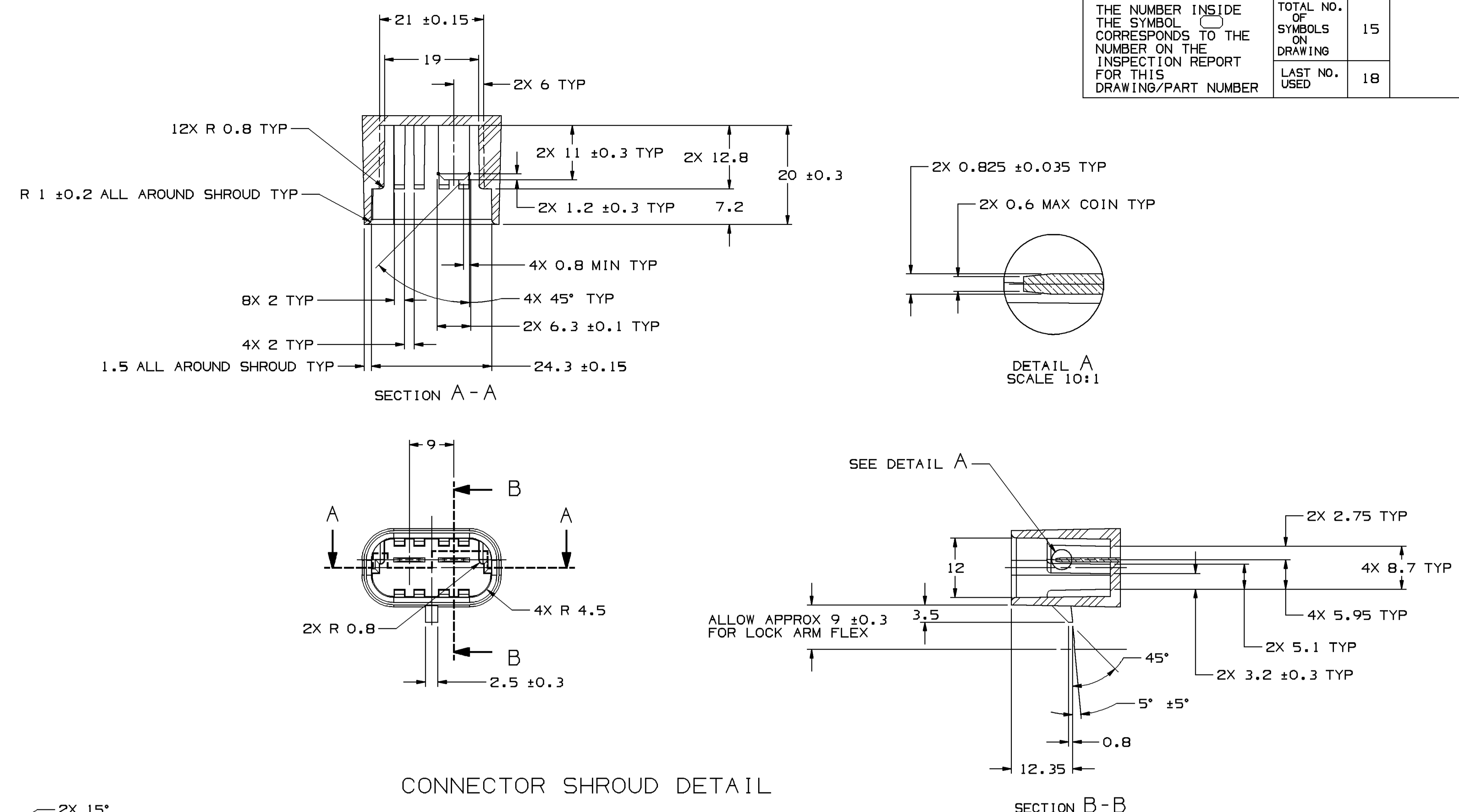


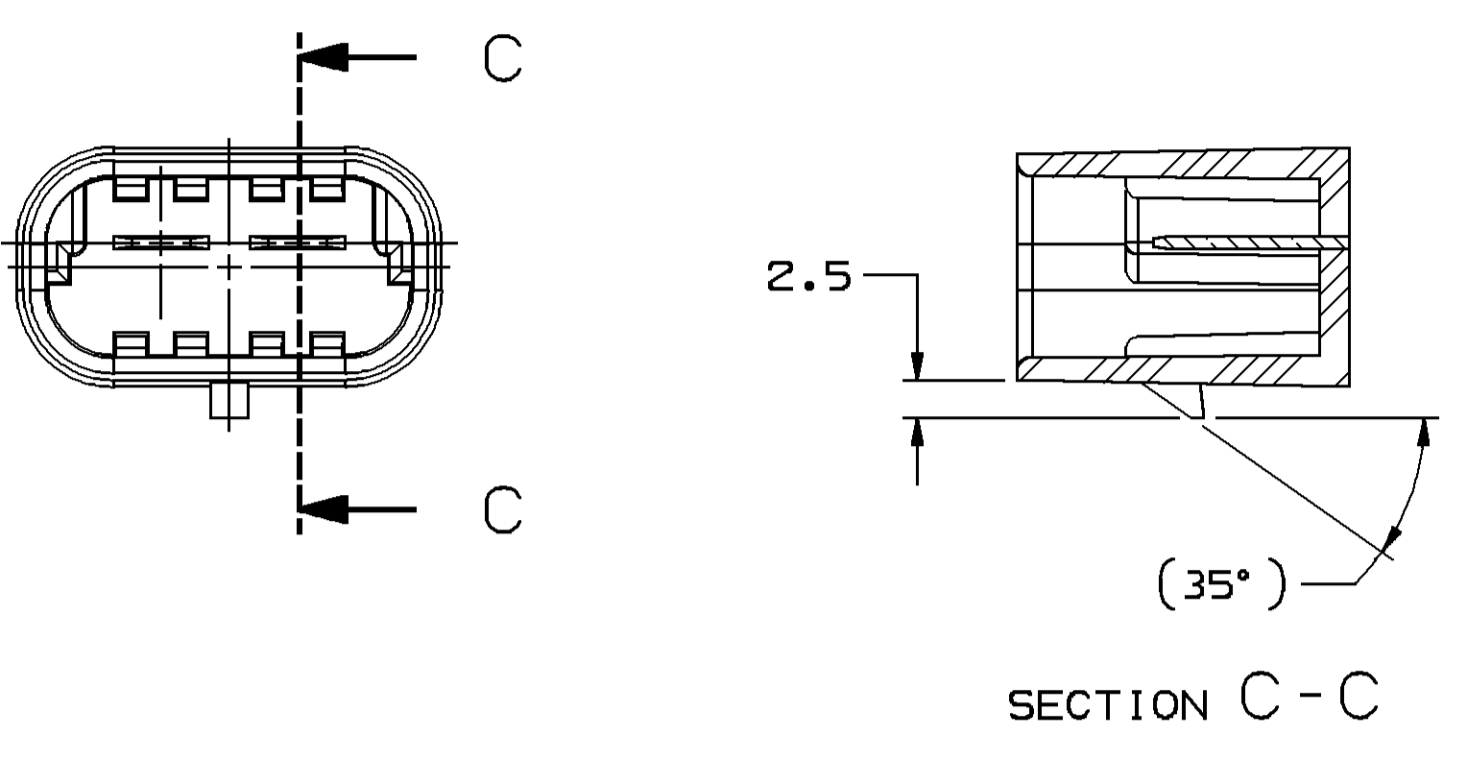
SYMBOL DEFINITION		MISSING NUMBERS	
THE NUMBER INSIDE THE SYMBOL CORRESPONDS TO THE NUMBER ON THE INSPECTION REPORT FOR THIS DRAWING/PART NUMBER	TOTAL NO. OF SYMBOLS ON DRAWING	15	
	LAST NO. USED	18	

DWS STATUS				REVISION HISTORY				AUTH		DR		APVD/APPD	
DATE	STG	REV	IN/P	CHG	ZONE								
20AUG02	R	03	-	-					228348	JAA	JAA	JRH	
21JUL11	R	04	-	-					414911	MRC	JAA	SJS	

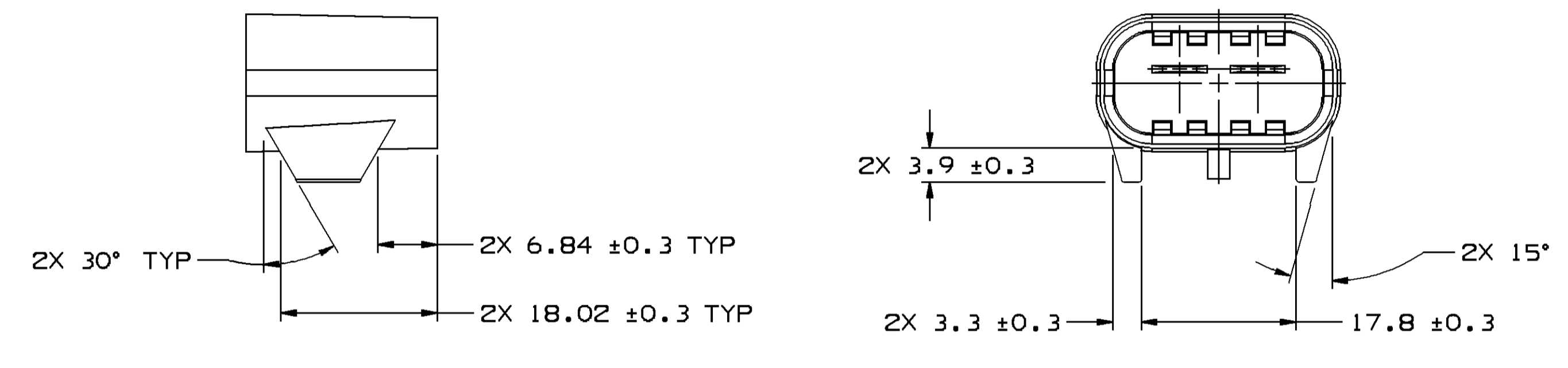


CONNECTOR SHROUD DETAIL

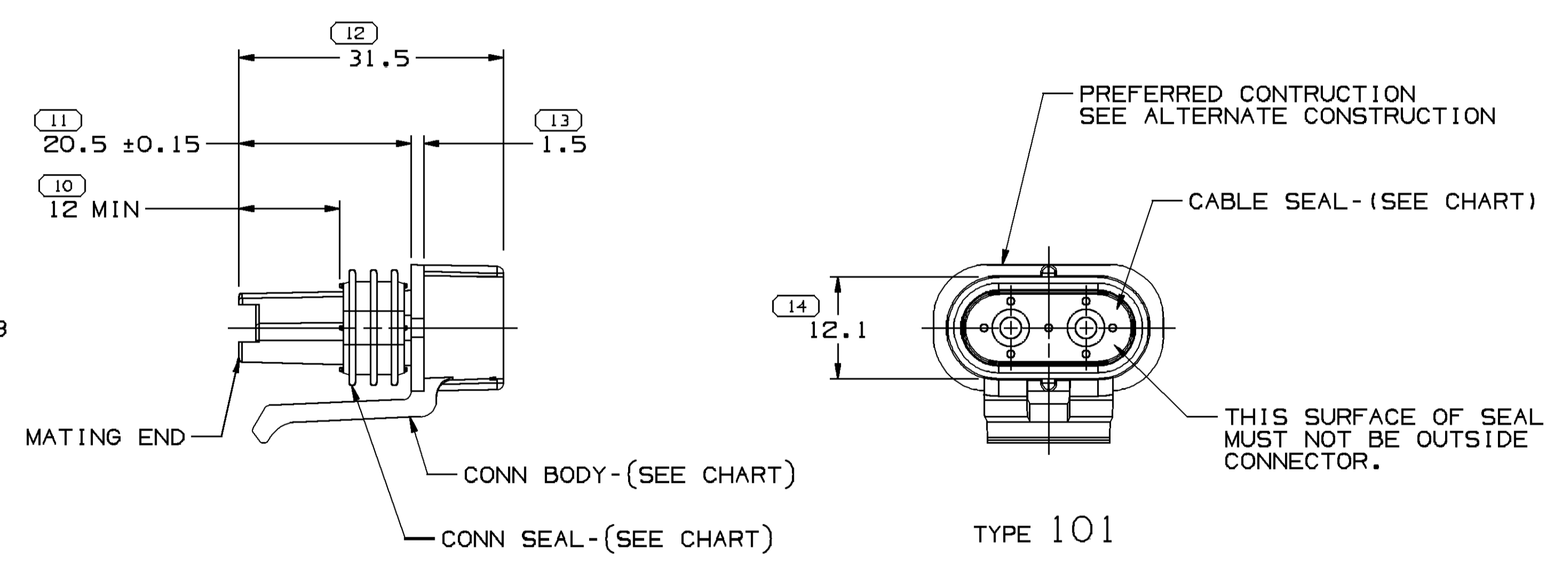
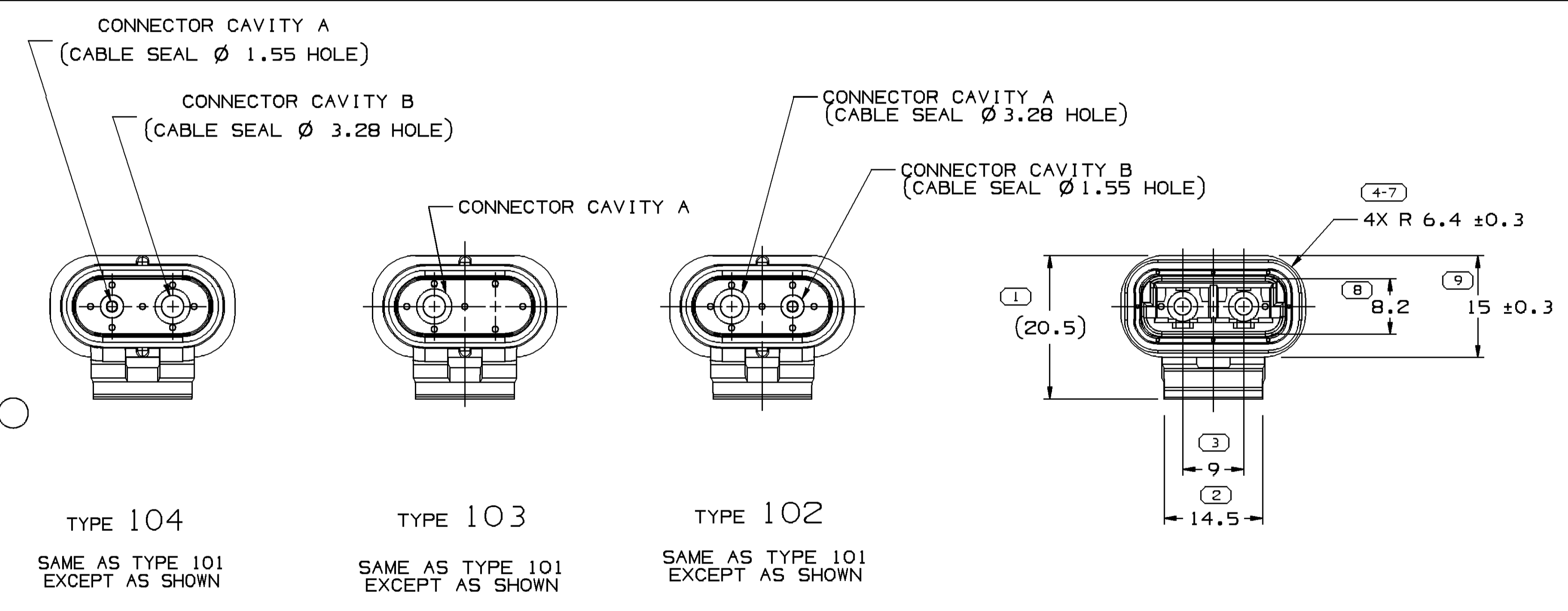
- NOTES
- UNLESS OTHERWISE SPECIFIED AND/OR INDICATED: DIMENSIONS ARE TO FACE OF VIEW SHOWN AND AUTOMATICALLY ROUNDED BY COMPUTER FOR INSPECTION. (SEE MATH MODEL FOR PRECISE DIMENSIONS.) FOR ALL OTHER DIMENSIONS NOT SHOWN BUT REQUIRED FOR TOOL BUILD, SEE MATH MODEL FOR PRECISE TOOL PATH DATA. ALL RADII 0.4 DRAFT IS 0° 30' ON ALL OUTSIDE SURFACES.
  - SHROUD MATERIAL NYLON 66 OR EQUIVALENT.



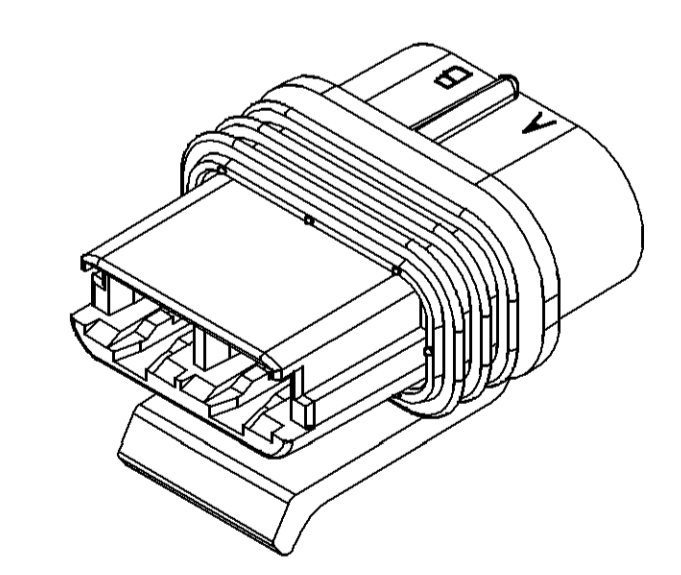
LOCK RAMP OPTIONAL CONSTRUCTION



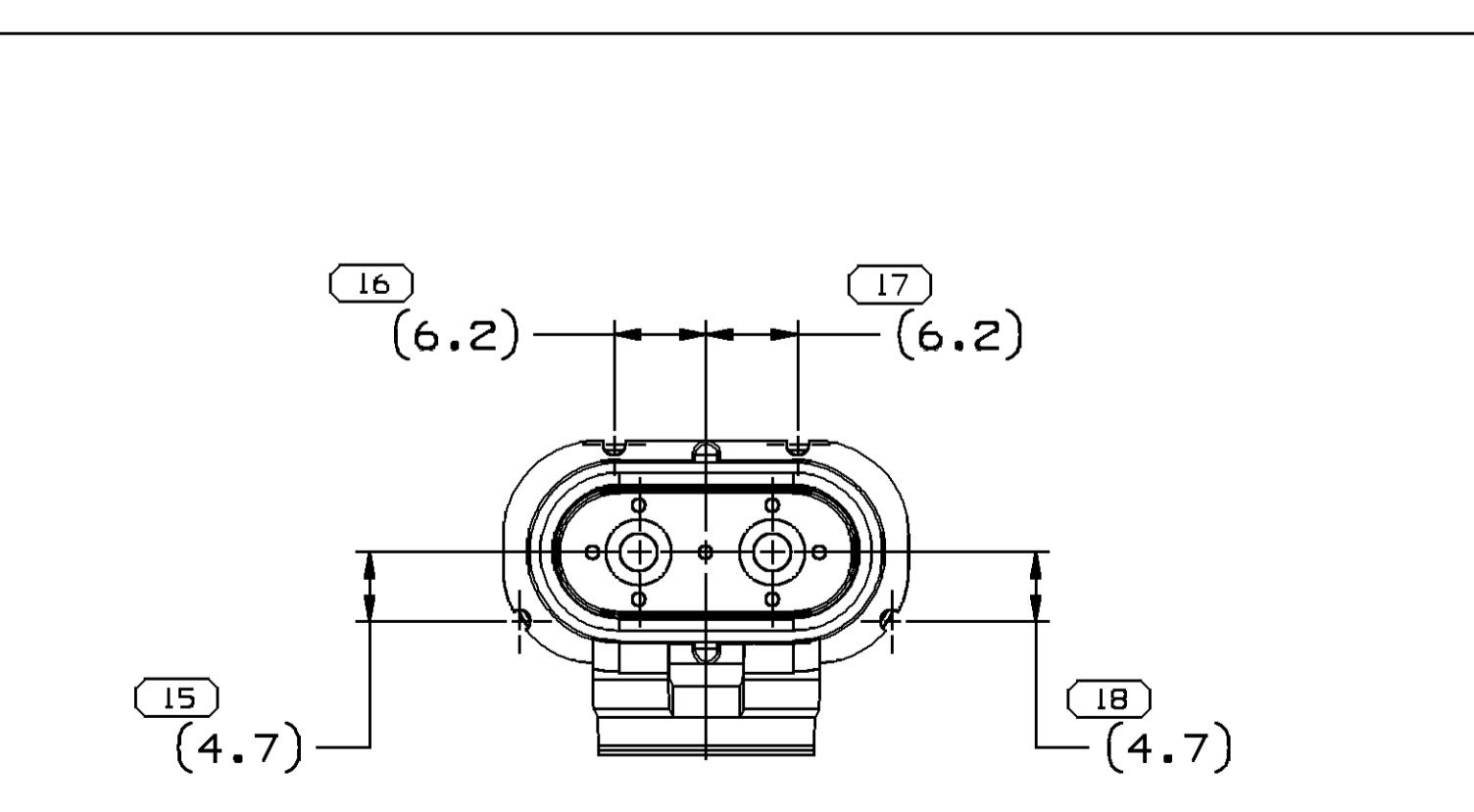
OPTIONAL CONSTRUCTION



- NOTES
- UNLESS OTHERWISE SPECIFIED AND/OR INDICATED: DIMENSIONS ARE TO FACE OF VIEW SHOWN AND AUTOMATICALLY ROUNDED BY COMPUTER FOR INSPECTION. (SEE MATH MODEL FOR PRECISE DIMENSIONS.) FOR ALL OTHER DIMENSIONS NOT SHOWN BUT REQUIRED FOR TOOL BUILD, SEE MATH MODEL FOR PRECISE TOOL PATH DATA.
  - THIS PART IS NOT CONTROLLED FOR AUTOMATIC FEEDING.
  - FOR LEAD LENGTH CALCULATIONS, DISTANCE FROM MATING END OF CONNECTOR TO FRONT OF CABLE CORE IS 13.35±1.7
  - WHEN PARTS ARE SHIPPED, THEY MUST BE PACKED IN PLASTIC BAGS OR SHIPPING CONTAINERS LINED WITH PLASTIC LINERS. BAGS OR LINERS MUST BE SEALED TO AVOID ENTRY OF FOREIGN MATTER.
  - SEALING CODE 3 - DESIGN WILL PASS SALT FOG AND IMMERSION TEST AFTER CONDITIONING AS SPECIFIED IN ESA-644 (WEATHER-PACK), ESA-710 (METRI-PACK), ESA-650 (UNDERHOOD MICRO-PACK), C-4006 (WORLD CONNECTOR), ETC. WHEN MATED TO MATING PART OR EQUIVALENT.
  - FOR APPLICATION DATA SEE THE INDIVIDUAL APPLICATION DRAWINGS.
  - THIS PRODUCT IS NOT CATEGORIZED AS AN APPEARANCE ITEM, MINOR IMPERFECTIONS INCLUDING, BUT NOT LIMITED TO, FLOW MARKS, COLOR BLEMISHES, GATE VESDIGE, AND SOFT FLASH THAT DO NOT AFFECT THE FIT, FORM, OR FUNCTION OF THE PART ARE PERMISSIBLE PER DPNP-4.7-CS-01.



VIEW SCALE DOES NOT REFLECT ACTUAL PART SIZE



OPTIONAL CONSTRUCTION

PART NO	REV	N/P	STATUS	TYPE	CONN BODY	CONN SEAL	CABLE SEAL
13897549	01	-	-	104	12020341	12077383	12092676 (BLU)
15404837	01	AB	-	101	12089269	12077383	12040972 (GREEN)
12103658	A3	-	-	103	12020341	12077383	12103586 (GRA LT)
12103172	A3	-	-	101	12103171	12077383	12040972 (GRN)
12092677	A3	-	-	102	12020341	12077383	12092676 (BLU)
12092449	A3	-	-	101	12089269	12077383	12066680 (GRA LT)
12085030	A3	-	-	101	12020341	12077383	12085024 (GRN LT)
12066681	A3	-	-	101	12020341	12077383	12066680 (GRA LT)
12033769	E3	-	-	101	12020341	12077383	12040972 (GRN)

DIMENSIONAL RANGE (MM)		TOLERANCE		CHART	
FROM	TO	±	MSD	ES	LS
0	> 30	> 0.10	> 0.15	> 0.10	> 0.15
> 30	> 60	> 0.15	> 0.20	> 0.15	> 0.20
> 60	> 100	> 0.20	> 0.30	> 0.20	> 0.30
> 100	> 150	> 0.30	> 0.40	> 0.30	> 0.40
> 150	> 200	> 0.40	> 0.50	> 0.40	> 0.50
> 200	> 300	> 0.50	> 0.60	> 0.50	> 0.60
> 300	> 400	> 0.60	> 0.80	> 0.60	> 0.80

**DELPHI**  
DELPHI PACKARD ELECTRICAL/ELECTRONIC ARCHITECTURE  
WARREN, OH

DR	ROGER SHUAUB	DATE	22 JUN 07
APV01	D. RAMUNNO		25 JUN 07
APV02	R. NAGEL		30 JUN 07
APV03	A. WINYARD		01 JUL 07
APV04			

THIS DOCUMENT IS IN ACCORDANCE WITH ASME Y14.5M-1994 AS MODIFIED BY THE 2003 DIMENSIONING AND TOLERANCING ADDENDUM - 1997. ALL GEOMETRIC TOLERANCES AND RELATED DATUMS APPLY UNLESS OTHERWISE SPECIFIED. SEPARATE POSITION CALCULATIONS MAY BE SAVED SEPARATELY, IRRESPECTIVE OF DATUM REFERENCE. ALL DIMENSIONS ARE IN MILLIMETERS.

DRAWING NAME: TAXI ASM CONN F M/P 630 SLD  
DRAWING NUMBER: 12066697

SIZE: A0 SCALE: 2:1 FRAME NO: 1 OF 1 SHEET NO: 1 OF 1 REV: N/P 04