

4

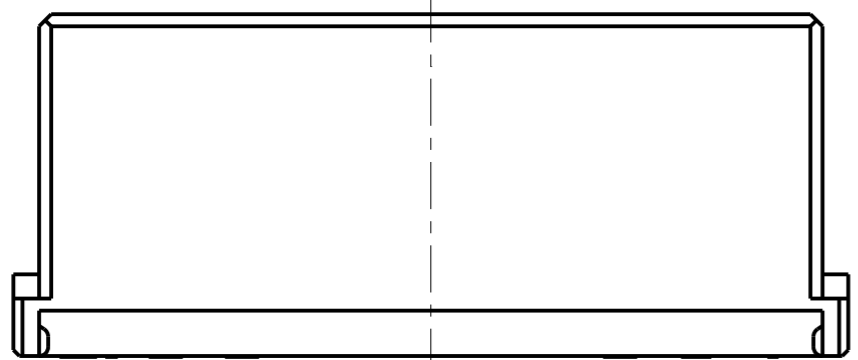
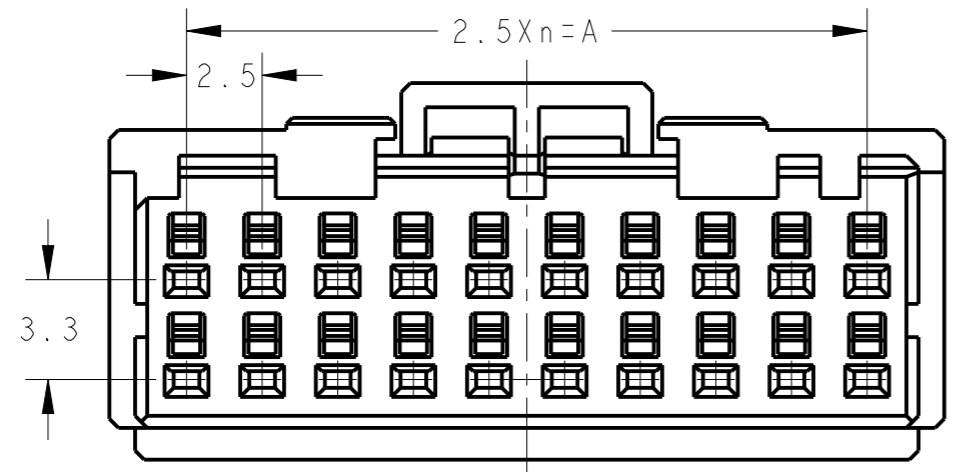
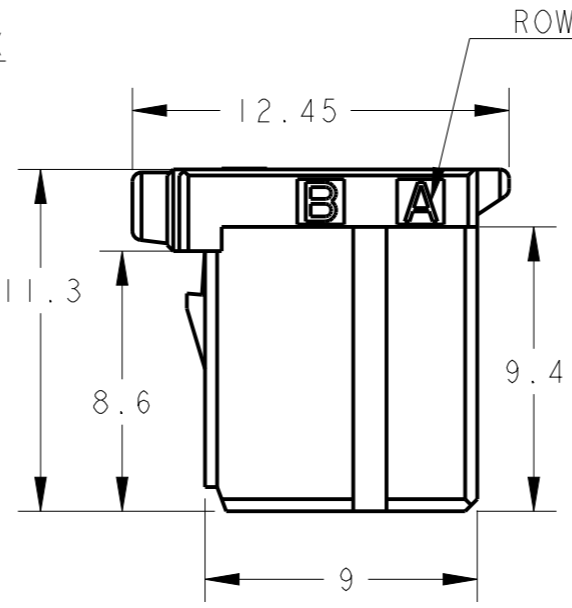
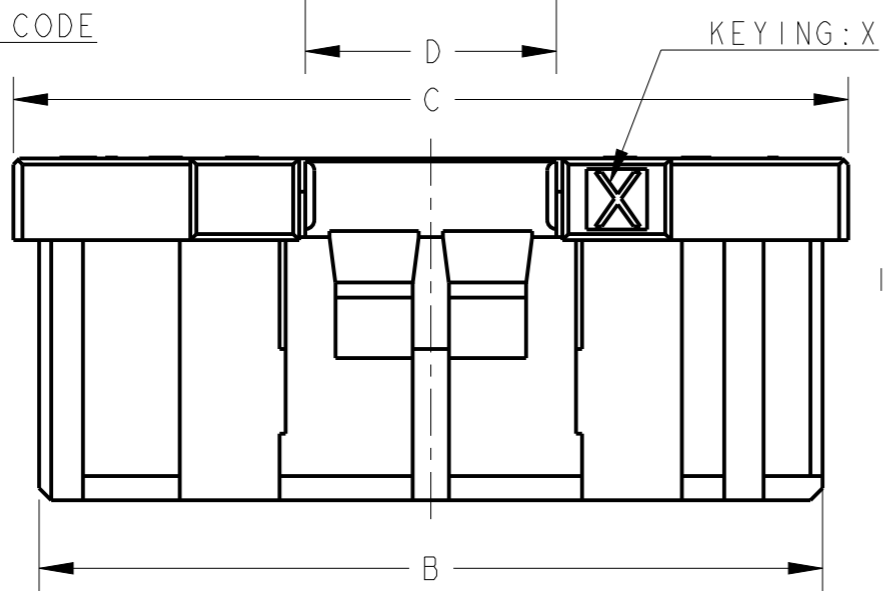
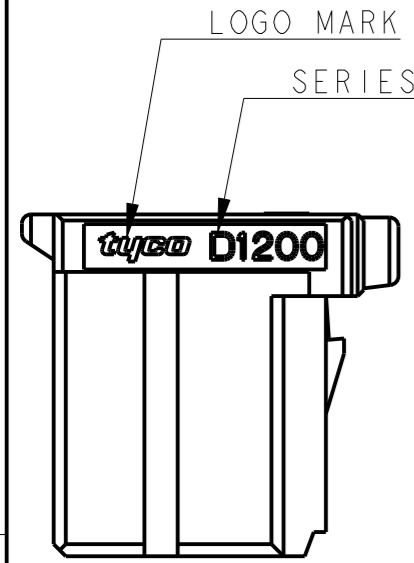
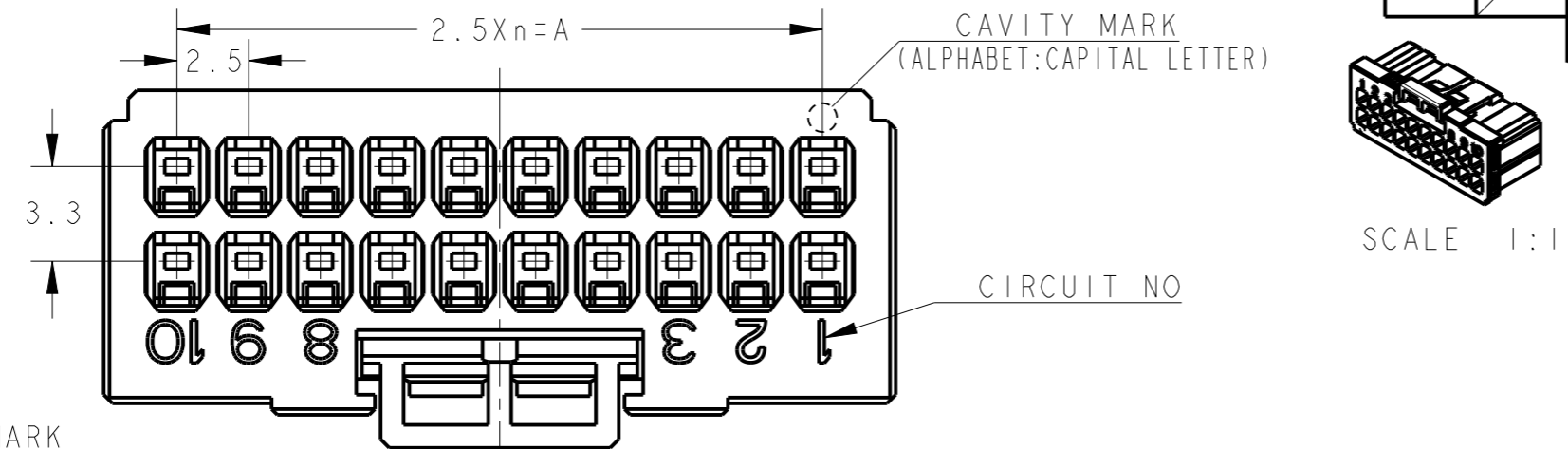
3

2

1

THIS DRAWING IS UNPUBLISHED. RELEASED FOR PUBLICATION  
 © COPYRIGHT - ALL RIGHTS RESERVED.

LOC	DIST	REVISIONS					
J		P	LTR	DESCRIPTION	DATE	DWN	APVD
		D		REVISED	06JUN2014	H.O	N.Y



- 1. MATERIAL: GLASS FILED THERMO PLASTIC POLYESTER(94V-0), COLOR: BLACK
- 2. THE SHAPE, SIZE AND POSITION OF THE CHARACTER SHOW THE OUTLINE. THEY DON'T SHOW DETAILS.
- 3. THE KEYING ARRANGEMENT OF "Y" IS SYMMETRIC WITH "X".

- 4. DIFFERENT HEIGHT OF ROCK PROTECTOR. A FINGERTIP IS STOOD AND PUSHED WHEN OPERATING A LOCK LEVER.

- 1. 材料: ガラス入り熱可塑性ポリエステル樹脂(94V-0), 色: 黒
- 2. 文字の形状、大きさ、および位置については、大略を示すものであり、詳細を示すものではありません。
- 3. Y KEY形状は、X KEY形状と左右対称

- 4. ROCK PROTECTORの高さ違いです。ロックレバー操作の際には、指先を立てて押してください。

20	Y	9	22.5	25.9	27.6	8.3	2-1827864-0
20	X	9	22.5	25.9	27.6	8.3	1-1827864-0
16	Y	7	17.5	20.9	22.6	8.3	2-1827864-8
16	X	7	17.5	20.9	22.6	8.3	1-1827864-8
12	Y	5	12.5	15.9	17.6	8.3	2-1827864-6
12	X	5	12.5	15.9	17.6	8.3	1-1827864-6
12	X	5	12.5	15.9	17.6	8.3	9-1827864-6
10	Y	4	10.0	13.4	15.1	3.3	2-1827864-5
10	X	4	10.0	13.4	15.1	3.3	1-1827864-5
8	Y	3	7.5	10.9	12.6	3.3	2-1827864-4
8	X	3	7.5	10.9	12.6	3.3	1-1827864-4
6	Y	2	5.0	8.4	10.1	3.3	2-1827864-3
6	X	2	5.0	8.4	10.1	3.3	1-1827864-3
6	X	2	5.0	8.4	10.1	3.3	9-1827864-3
4	Y	1	2.5	5.9	7.6	3.1	2-1827864-2
4	X	1	2.5	5.9	7.6	3.1	1-1827864-2
POS	KEY	n	A	B	C	D	PART NO

20POS(X-KEY): 1-1827864-0

THIS DRAWING IS A CONTROLLED DOCUMENT.

DIMENSIONS: 単位: 概 mm

TOLERANCES UNLESS OTHERWISE SPECIFIED: 一般公差 ±0.3, ±5°

0	PLC	±
1	PLC	±
2	PLC	±
3	PLC	±
4	PLC	±
	ANGLES	±

MATERIAL 材料

DWN T. KUDO 23AUG2005  
 CHK D. MITSUGI 23AUG2005  
 APVD D. MITSUGI 23AUG2005

PRODUCT SPEC 製品規格 108-78268, 78298  
 APPLICATION SPEC 取付適用規格 114-5377

WEIGHT

**STE** TE Connectivity

NAME 名称 DYNAMIC D1200D 2.5mm PITCH REC HSG 4-20 POS

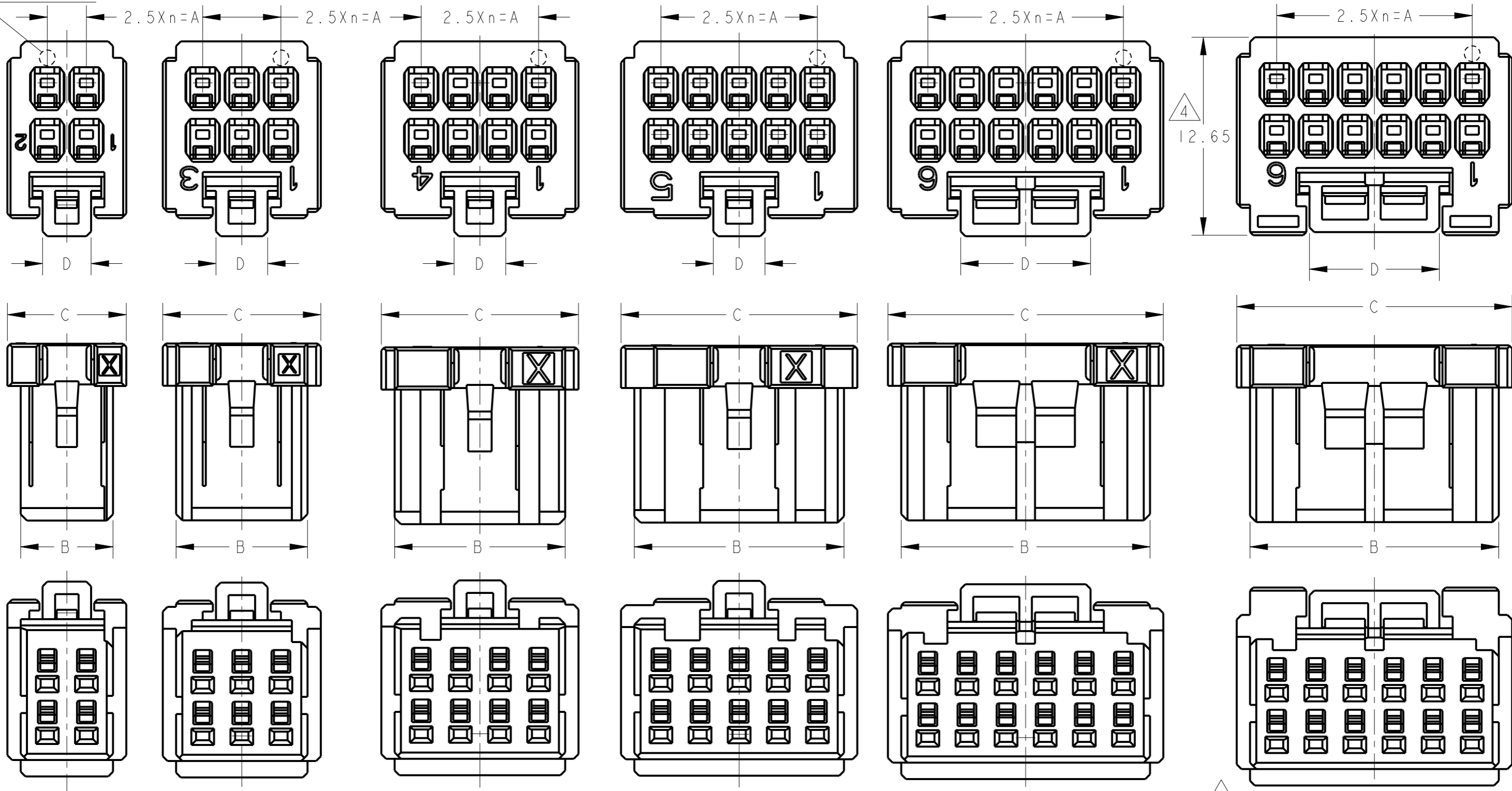
SIZE A3 CAGE CODE 00779 DRAWING NO 番号 C-1827864 RESTRICTED TO

CUSTOMER DRAWING SCALE 尺度 4:1 SHEET 1 OF 3 REV D

THIS DRAWING IS UNPUBLISHED. RELEASED FOR PUBLICATION  
 © COPYRIGHT - ALL RIGHTS RESERVED.

LOC	DIST	REVISIONS		
J		P	LTR	DESCRIPTION
		-		SEE SHEET 1 OF 3
				DATE
				DWN
				APVD

CAVITY MARK ONLY 4POS



4POS(X-KEY)  
1-1827864-2

6POS(X-KEY)  
1-1827864-3

8POS(X-KEY)  
1-1827864-4

10POS(X-KEY): 1-1827864-5

12POS(X-KEY): 1-1827864-6

12POS(X-KEY): 9-1827864-6

THIS DRAWING IS A CONTROLLED DOCUMENT.

DIMENSIONS: 単位: 概 mm		TOLERANCES UNLESS OTHERWISE SPECIFIED:	
		一般公差	±
		0 PLC	±
		1 PLC	±
		2 PLC	±
		3 PLC	±
MATERIAL 材料		FINISH 仕上	±

DWN	T. KUDO	23AUG2005
CHK	D. MITSUGI	23AUG2005
APVD	D. MITSUGI	23AUG2005
PRODUCT SPEC	108-78268, 78298	
APPLICATION SPEC	114-5377	
WEIGHT		
CUSTOMER DRAWING		

		TE Connectivity	
		DYNAMIC DI200D 2.5mm PITCH REC HSG 4-20 POS	
SIZE	CAGE CODE	DRAWING NO	RESTRICTED TO
A3	00779	C-1827864	
SCALE 尺度		SHEET	REV
4:1		2 OF 3	D

THIS DRAWING IS UNPUBLISHED.

RELEASED FOR PUBLICATION

© COPYRIGHT -

ALL RIGHTS RESERVED.

LOC J DIST

REVISIONS

変更

P LTR

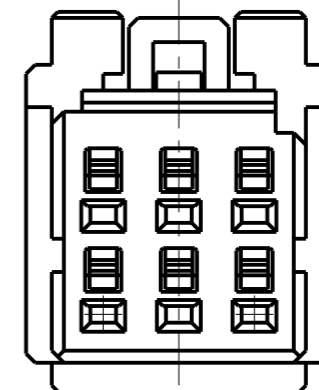
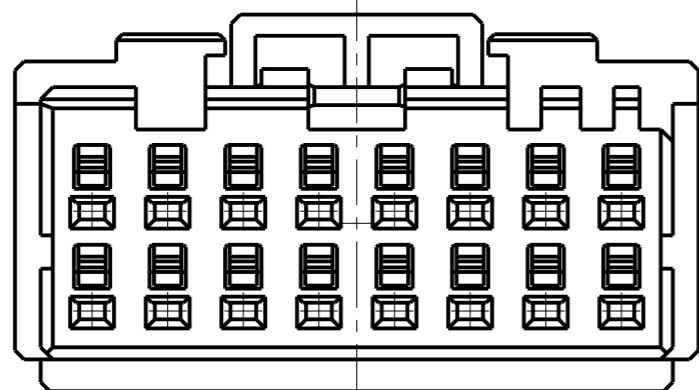
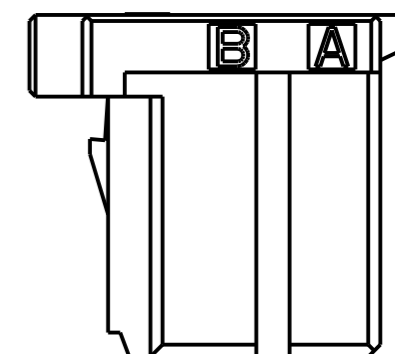
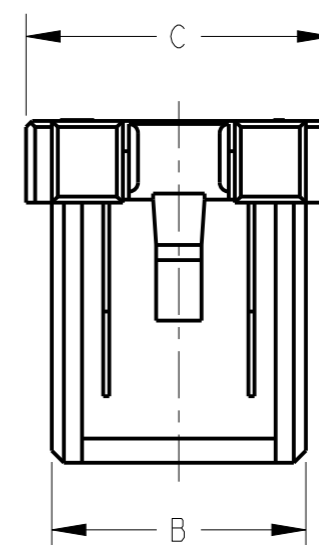
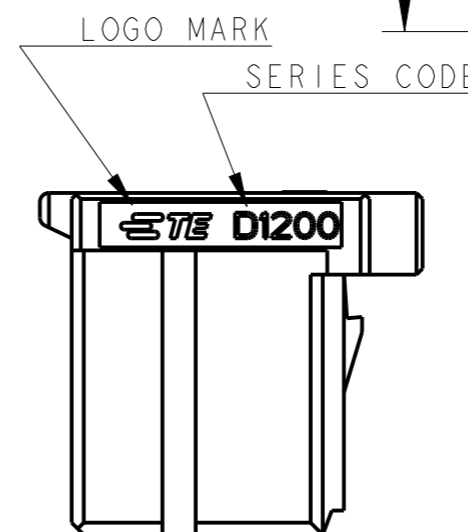
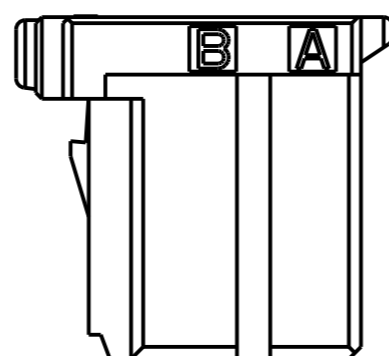
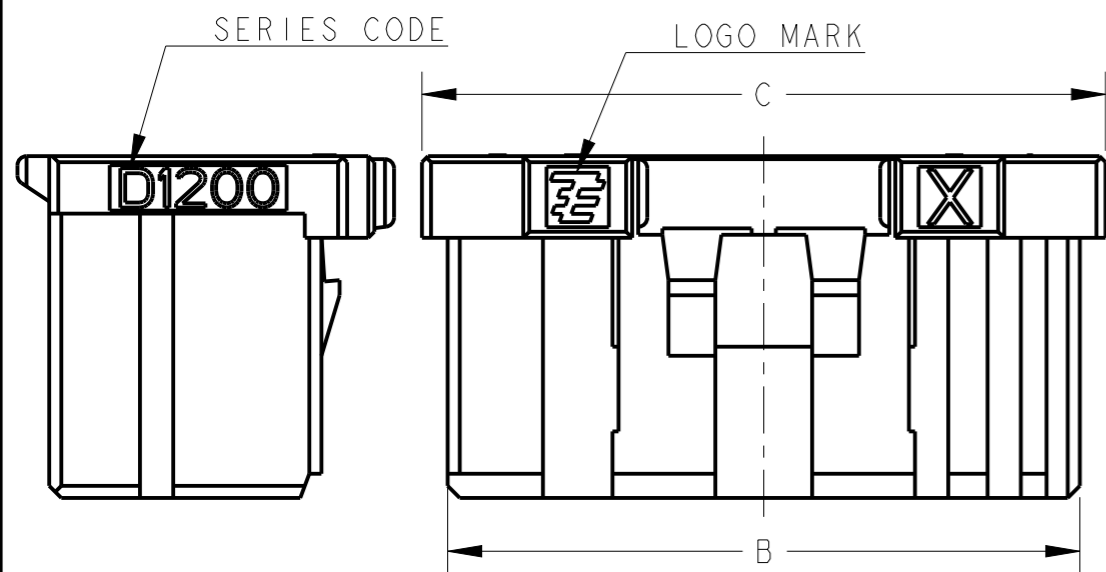
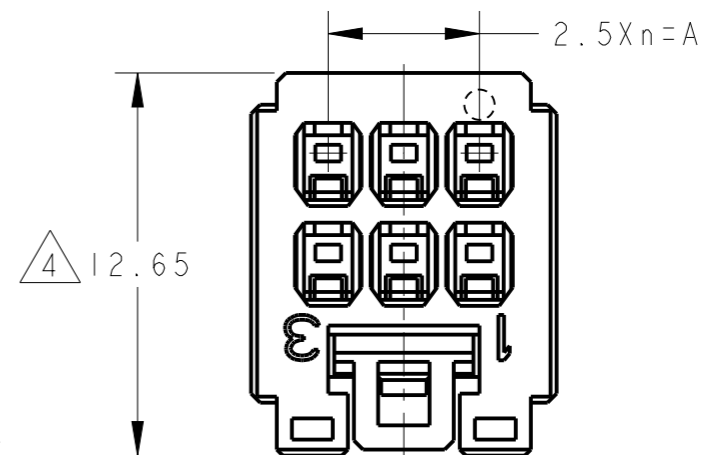
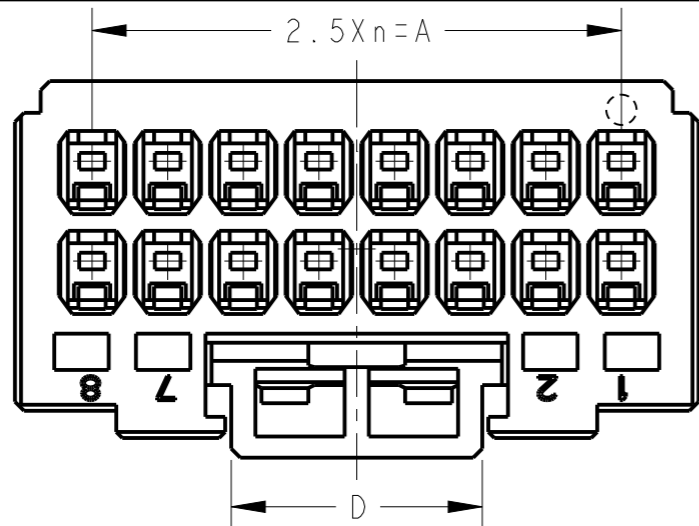
DESCRIPTION

DATE

DWN

APVD

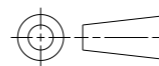
SEE SHEET 1



4 6POS(X-KEY):9-1827864-3

THIS DRAWING IS A CONTROLLED DOCUMENT.

DIMENSIONS:  
単位: 耗  
mm



TOLERANCES UNLESS OTHERWISE SPECIFIED:

- 一般公差
- 0 PLC ±
- 1 PLC ±
- 2 PLC ±
- 3 PLC ±
- 4 PLC ±
- ANGLES ±

MATERIAL  
材料

FINISH  
仕上

DWN T. KUDO 23AUG2005

CHK D. MITSUGI 23AUG2005

APVD D. MITSUGI 23AUG2005

PRODUCT SPEC  
製品規格  
108-78268,78298

APPLICATION SPEC  
取付適用規格  
114-5377

WEIGHT

CUSTOMER DRAWING

STE TE Connectivity

NAME  
名称  
DYNAMIC D1200D 2.5mm PITCH  
REC HSG  
4-20 POS

SIZE	CAGE CODE	DRAWING NO 番号	RESTRICTED TO
A3	00779	C-1827864	

SCALE 4:1 SHEET 3 OF 3 REV D

16POS(X-KEY):1-1827864-8

# Mouser Electronics

Authorized Distributor

Click to View Pricing, Inventory, Delivery & Lifecycle Information:

[TE Connectivity:](#)

[1-1827864-2](#)