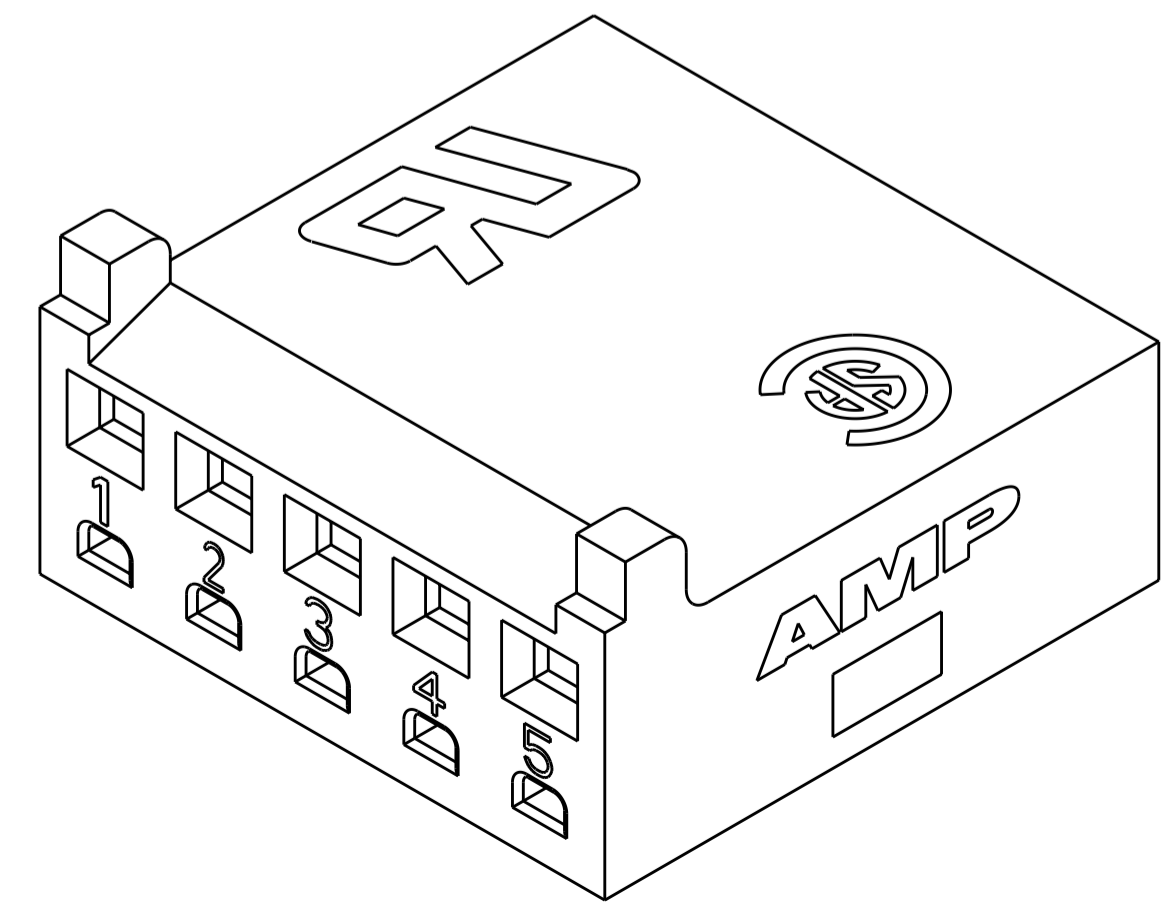
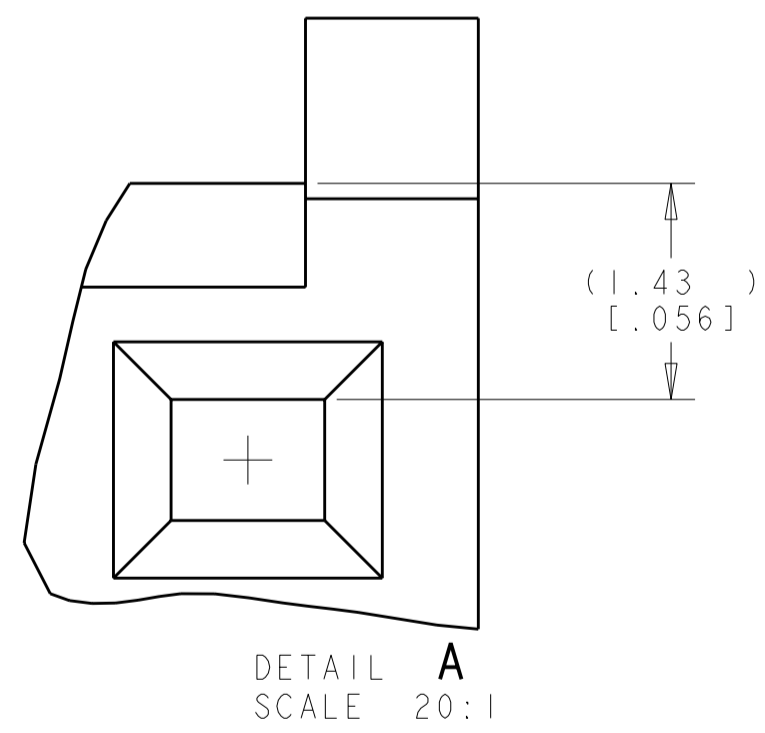
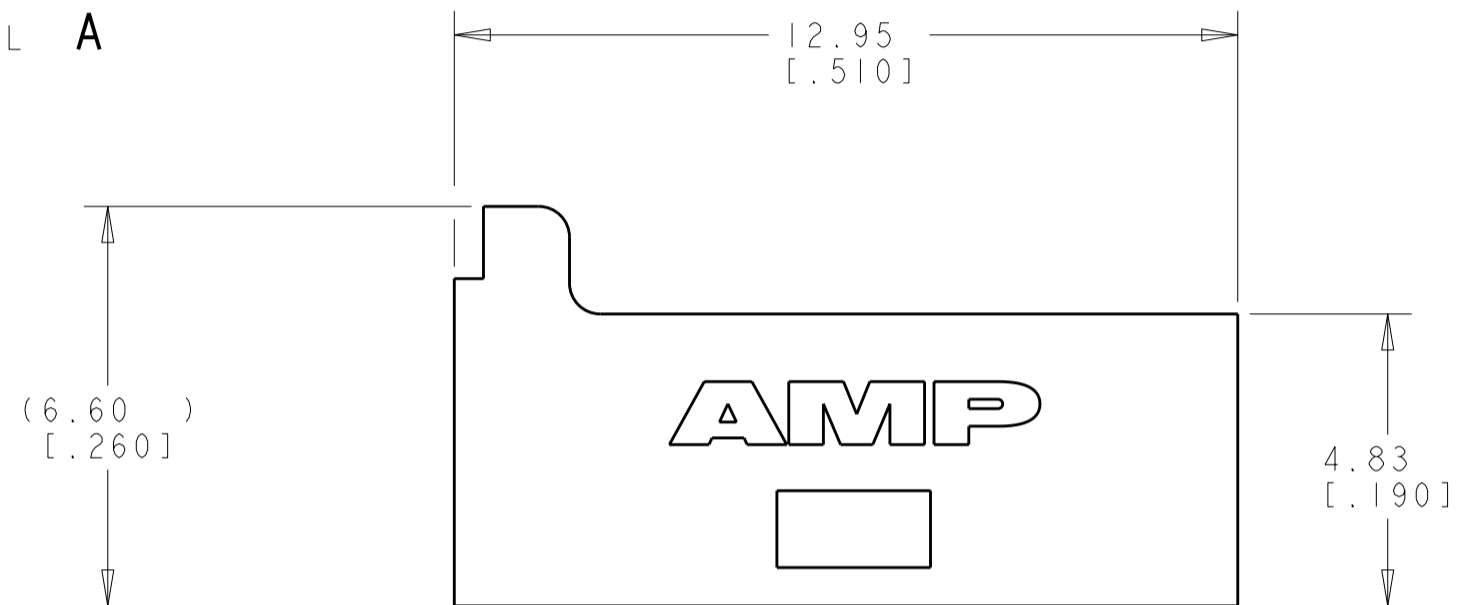
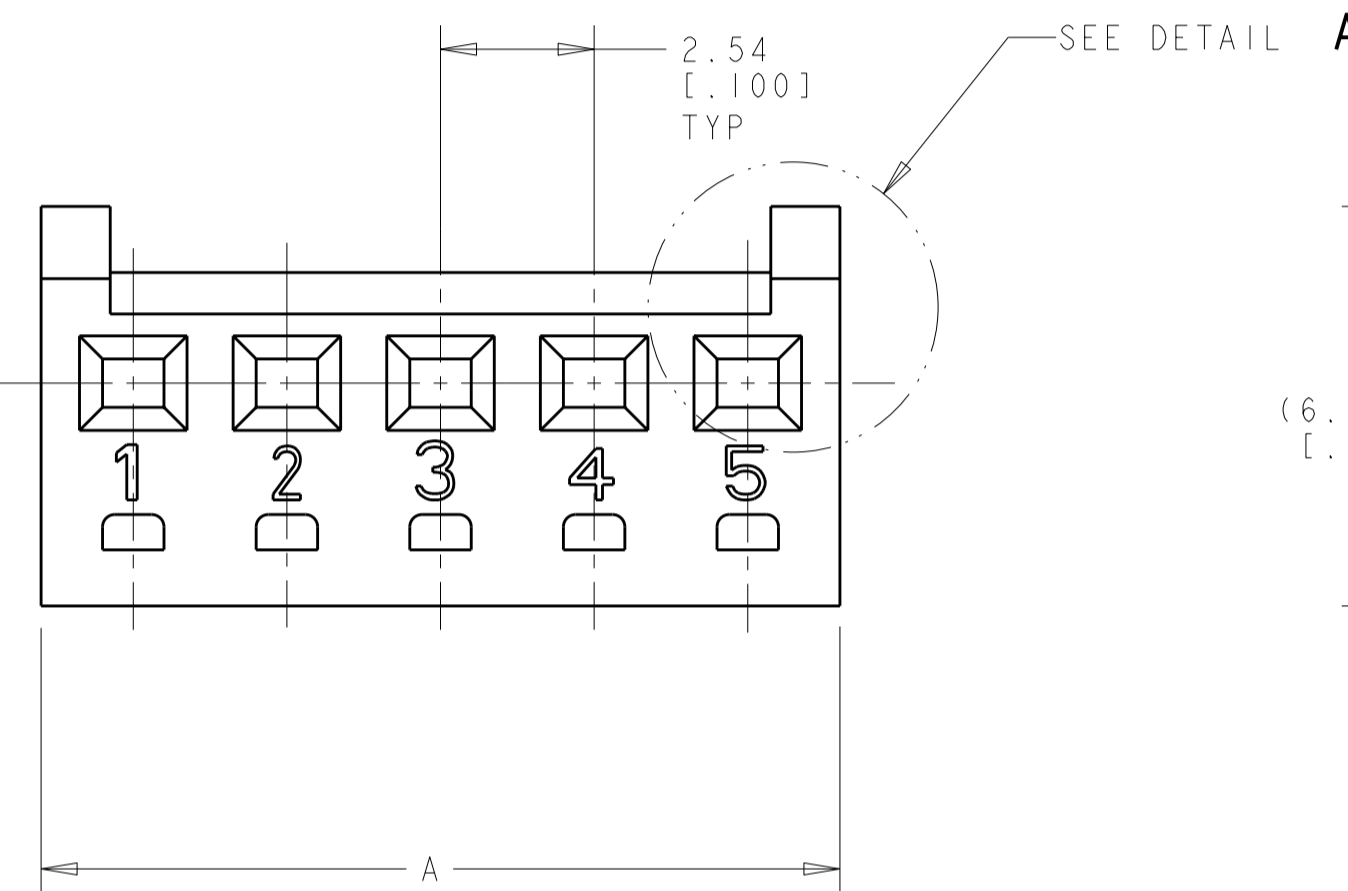


THIS DRAWING IS UNPUBLISHED. RELEASED FOR PUBLICATION 20
 © COPYRIGHT 20 ALL RIGHTS RESERVED.

LOC		DIST		REVISIONS			
P	LTR	DESCRIPTION		DATE	DWN	APVD	
	P	REVISED PER ECO-11-005294		06APR2011	RK	HMR	

1. ACCEPTS CONTACT P/N 1375819.
2. ACCEPTS MTA-100 KEYING PLUG P/N 641994-1.
3. DIMENSIONS IN BRACKETS ARE IN INCHES.
4. NOT FOR USE WITH CONTACT PART NUMBER 770601 OR 770666.



DIM A	mm	INCH	NO OF CKTS	PART NO
71.63	2.820	28	2	1375820-8
69.09	2.720	27	2	1375820-7
66.55	2.620	26	2	1375820-6
64.01	2.520	25	2	1375820-5
61.47	2.420	24	2	1375820-4
58.93	2.320	23	2	1375820-3
56.39	2.220	22	2	1375820-2
53.85	2.120	21	2	1375820-1
51.31	2.020	20	2	1375820-0
48.77	1.920	19	1	1375820-9
46.23	1.820	18	1	1375820-8
43.69	1.720	17	1	1375820-7
41.15	1.620	16	1	1375820-6
38.61	1.520	15	1	1375820-5
36.07	1.420	14	1	1375820-4
33.53	1.320	13	1	1375820-3
30.99	1.220	12	1	1375820-2
28.45	1.120	11	1	1375820-1
25.91	1.020	10	1	1375820-0
23.37	.920	9	1	1375820-9
20.83	.820	8	1	1375820-8
18.29	.720	7	1	1375820-7
15.75	.620	6	1	1375820-6
13.21	.520	5	1	1375820-5
10.67	.420	4	1	1375820-4
8.13	.320	3	1	1375820-3
5.59	.220	2	1	1375820-2
mm	INCH			
DIM A +0.25/-0.13				
[+.010/-.005]				

THIS DRAWING IS A CONTROLLED DOCUMENT.

DWN: K. WHITAKER 21-JUNE-2001
 CHK: J. ELLIS 21-JUNE-2001
 APVD: J. ELLIS 21-JUNE-2001

STE TE Connectivity

NAME: HOUSING, CST-100 11

PRODUCT SPEC: 108-1948
 APPLICATION SPEC: 114-13036

MATERIAL: NYLON

WEIGHT: -

SIZE: A2 CAGE CODE: 00779 DRAWING NO: 1375820

RESTRICTED TO: -

CUSTOMER DRAWING SCALE: 8:1 SHEET: 1 OF 1 REV: P



Mouser Electronics

Authorized Distributor

Click to View Pricing, Inventory, Delivery & Lifecycle Information:

[TE Connectivity:](#)

[1-1375820-6](#)