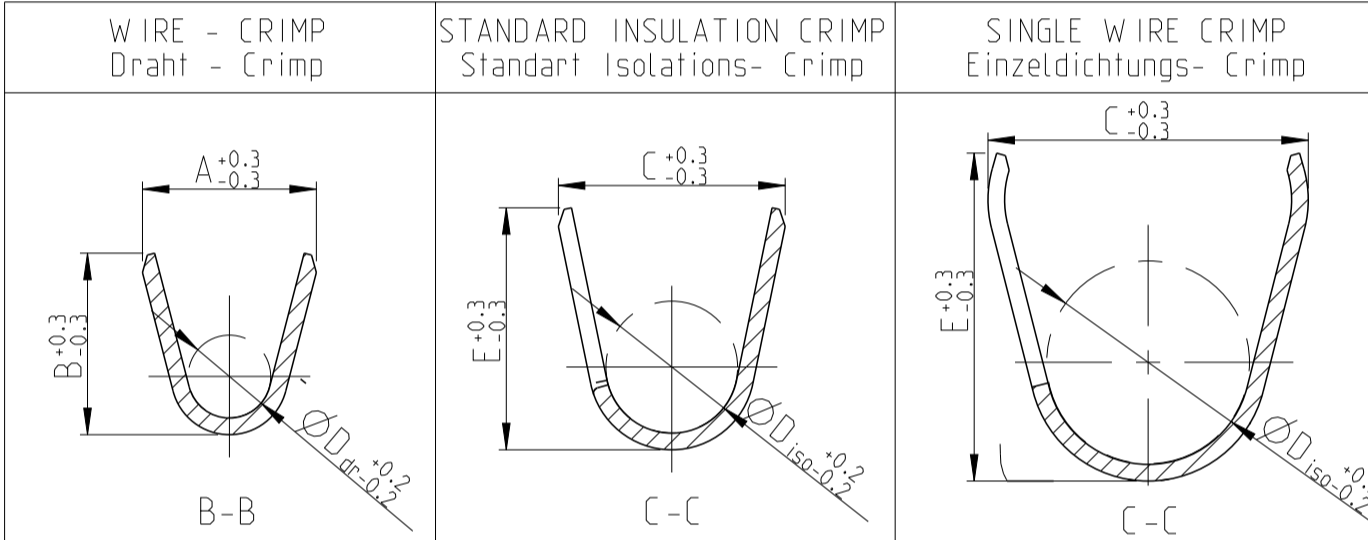
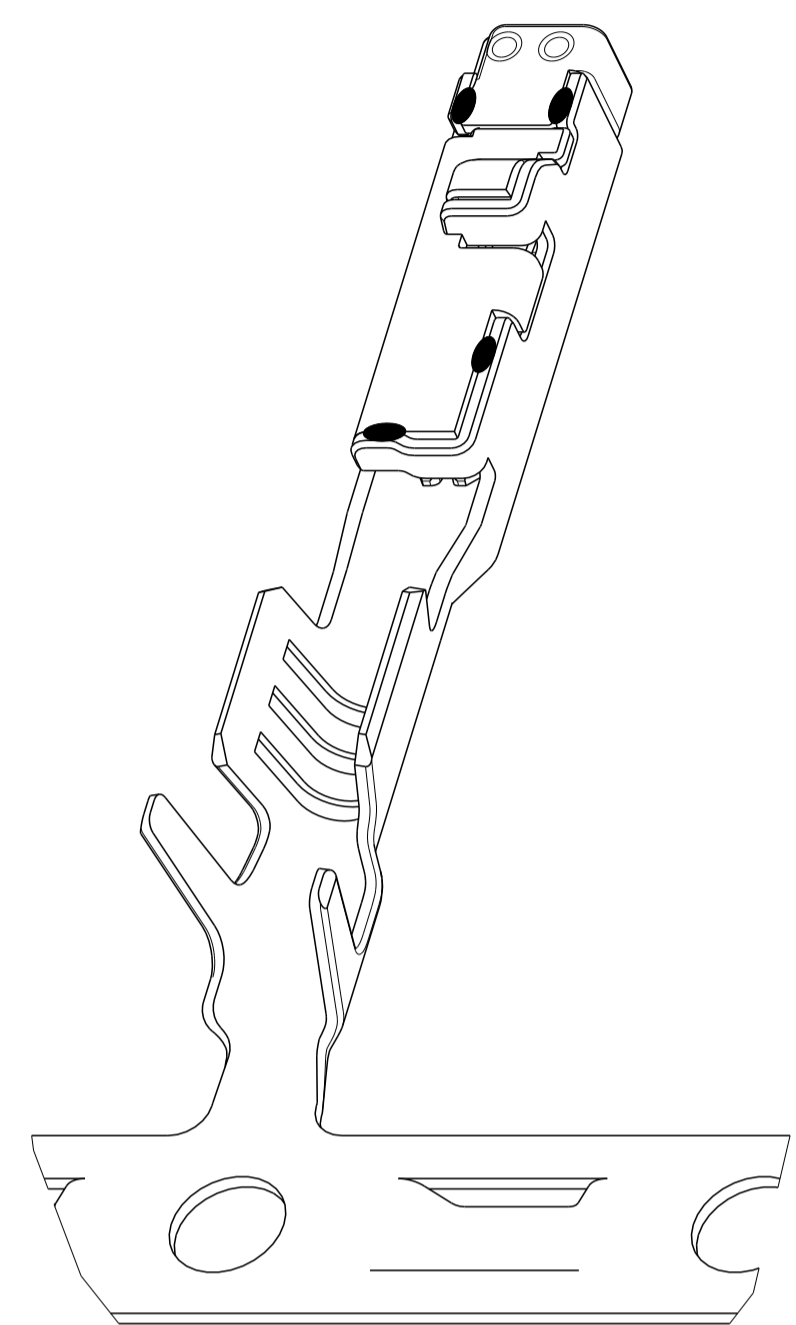
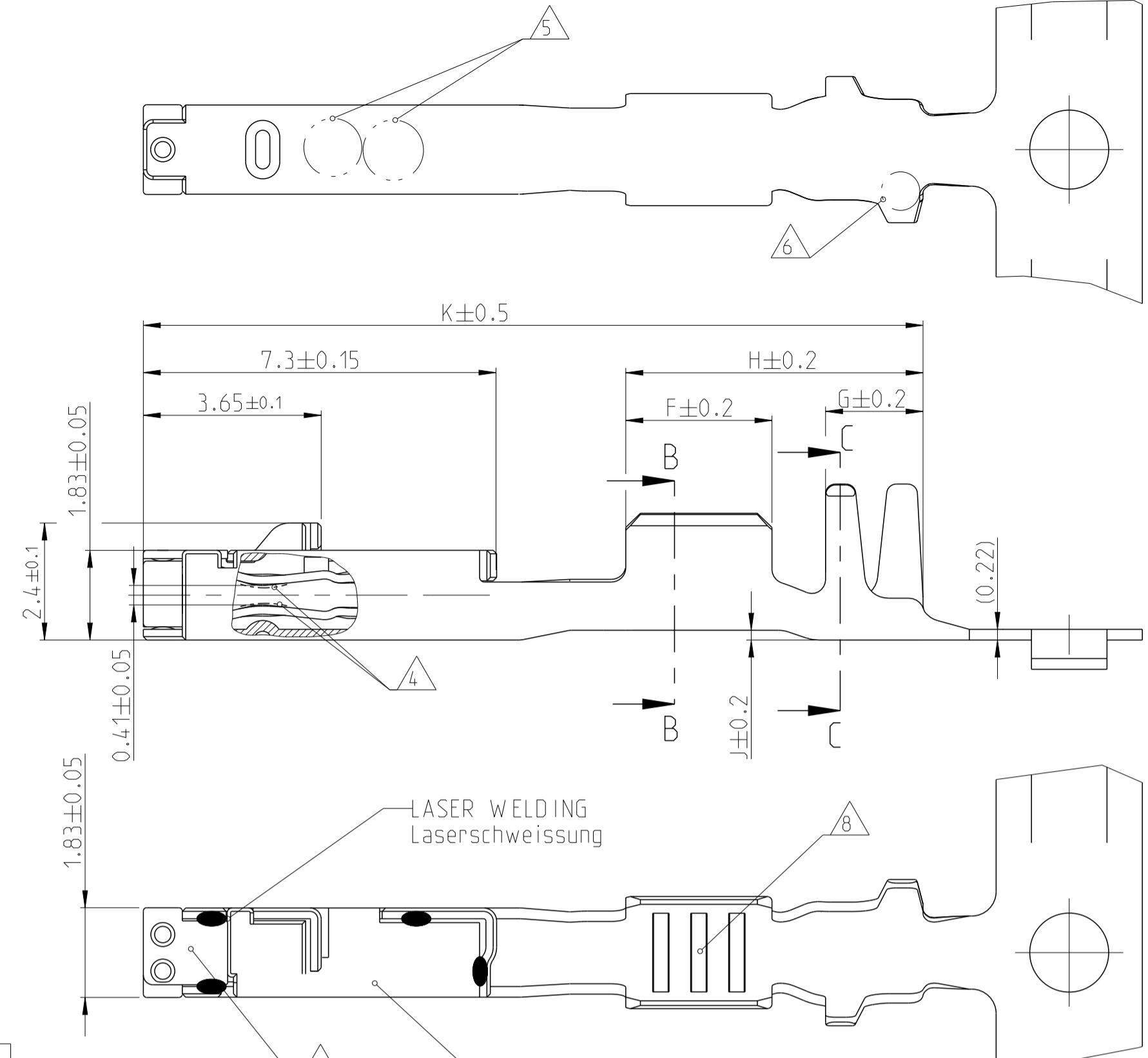
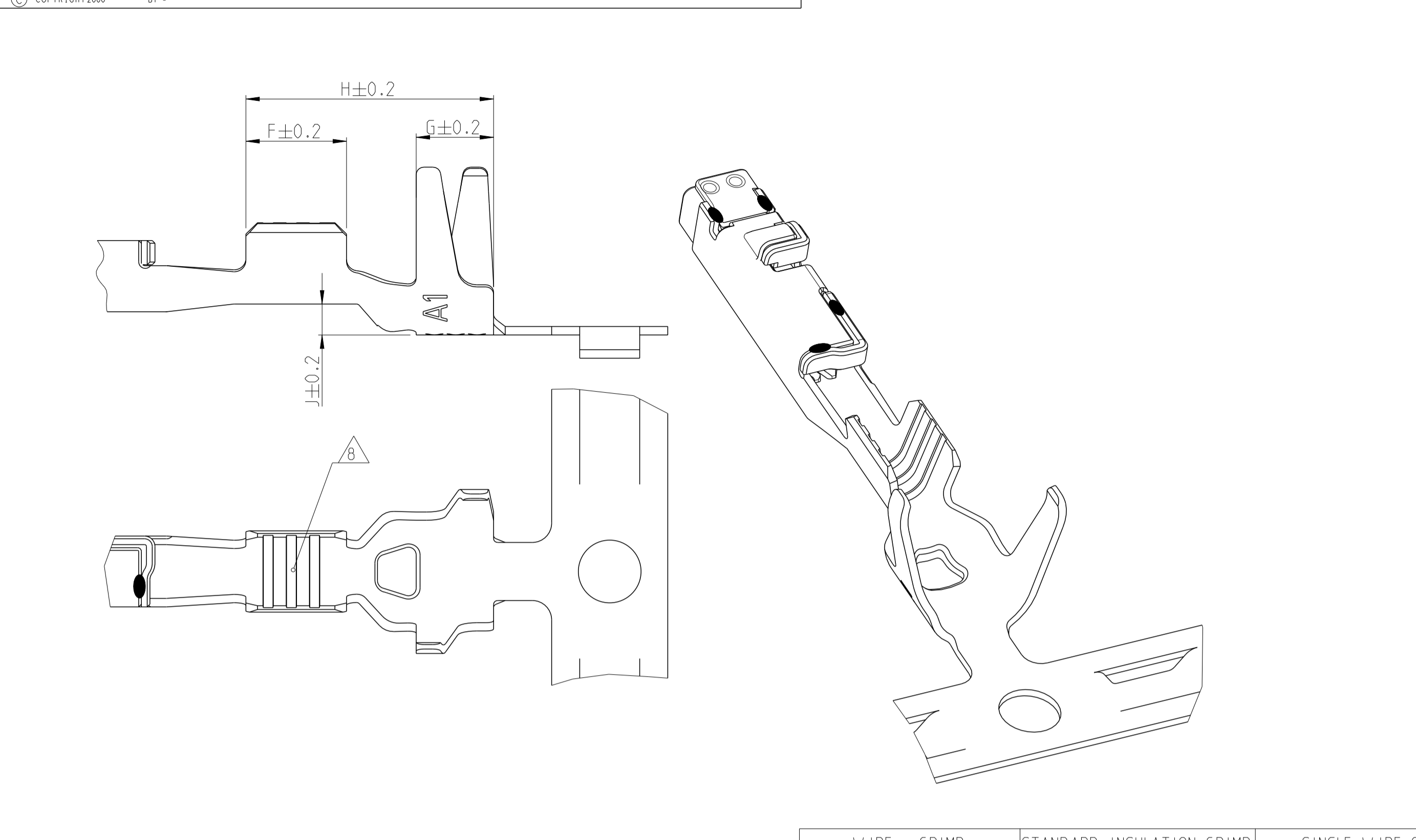


LOC	DIST	REVISIONS					
A1	-	P	LTA	DESCRIPTION	DATE	DWN	APVD
		G2		PN 1394897 AND 1418847 OBSOLETE	15NOV2012	S.R.	C.G.
		G3		ECR-14-006680 CANCELED	12JUN2014	Abt	Raab
		G4		Loose Piece Parts removed from Table. ECR-14-012725	25AUG2014	Abt	Raab
		G5		Tolerance from dim. J changed (drawing failure)	02FEB2015	Ho.	Raab



VERSION / Ausführung	Rev.	BODY Kontakt-koerper	SPRING Kontakt-feder	BODY Kontakt-koerper	SPRING Kontakt-feder	RANGE Bereich	AWG	mm 2	INSULATION Isolation-φ	A (B)	D _{Dr}	C	E	D _{ISO}	AS PRODUCTS ON CARRIER STRIP wie Bandware	SINGLE WIRE SEAL / Einzeldichtung		STANDARD CRIMP																																										
																TE NO.	MASTER APPLICATION-TOOL	WIRE CRIMP Drahtcrimp	ISOLATION CRIMP Isolationcrimp																																									
ORDER- NO. STRIP FORM Bestell-Nr. Bandware	-	CuSn0.15	CuNi3Si	TIN PLATED verzinkt	SILVER PLATED versilbert	0.14-	26	0.14	1.05	1.55	1.55	0.65	4.25	4.3	2.6	967067-2	963142-2	1528151	4-1579001-8																																									
																				1418841-3																																								
																				1418841-2																																								
																				1418841-1																																								
																				1418844-3																																								
																				1418844-2																																								
																				1418844-1																																								
																				1670146-3																																								
																				1670146-2																																								
																				1670146-1																																								
																				1418847-3																																								
																				1418847-2																																								
																				1418847-1																																								
																				1418850-3																																								
																				1418850-2																																								
																				1418850-1																																								
																				MATERIAL Werkstoff	-	CuSn0.15	CuNi3Si	TIN PLATED verzinkt	SILVER PLATED versilbert	0.25-	24	-	1.1-	1.85	1.85	0.8	4.25	4.3	2.6	967067-2	963142-2	1528152	3-1579001-9																					
1452500-3																																																												
1452500-2																																																												
1452500-1																																																												
1534594-3																																																												
1534594-2																																																												
1534594-1																																																												
1670144-3																																																												
1670144-2																																																												
1670144-1																																																												
1394897-3																																																												
1394897-2																																																												
1394897-1																																																												
1452503-3																																																												
1452503-2																																																												
1452503-1																																																												
SURFACE Oberflaeche	-	CuSn0.15	CuNi3Si	TIN PLATED verzinkt	SILVER PLATED versilbert	0.5-	20	0.5	1.4-	2.1	2.1	1.1	4.25	4.3	2.7	967067-1	963142-1	1528674	5-1579021-7																																									
																				1418850-3																																								
																				1418850-2																																								
																				1418850-1																																								
																				1452503-3																																								
																				1452503-2																																								
																				1452503-1																																								
																				WIRE-SIZE RANGE ISOLATIONS DIAMETER Leiterquerschnitt mm² Isolationdurchmesser mm	-	CuSn0.15	CuNi3Si	TIN PLATED verzinkt	SILVER PLATED versilbert	1.0-	18	-	1.9-	2.6	2.95	1.3	4.45	4.3	2.9	967067-1	967067-1	1528154	3-1579001-7																					
																																								1418850-3																				
																																								1418850-2																				
																																								1418850-1																				
																																								1452500-3																				
																																								1452500-2																				
																																								1452500-1																				
																																								STRIP FORM/Bandware	-	CuSn0.15	CuNi3Si	TIN PLATED verzinkt	SILVER PLATED versilbert	0.14-	26	0.14	1.05	1.55	1.55	0.65	2.1	2.1	1.1	967067-1	963142-1	1528146	3-1579001-6	
																																																												1452500-3
																																																												1452500-2
1452500-1																																																												
1534594-3																																																												
1534594-2																																																												
1534594-1																																																												
1670144-3																																																												
1670144-2																																																												
1670144-1																																																												
1394897-3																																																												
1394897-2																																																												
1394897-1																																																												
1452503-3																																																												
1452503-2																																																												
1452503-1																																																												
WIRE CRIMP Drahtcrimp	-	CuSn0.15	CuNi3Si	TIN PLATED verzinkt	SILVER PLATED versilbert	0.5-	20	0.5	1.4-	2.1	2.1	1.1	2.8	2.9	1.6	-	-	1528673	5-1579021-6																																									
																				1670144-3																																								
																				1670144-2																																								
																				1670144-1																																								
																				1394897-3																																								
																				1394897-2																																								
																				1394897-1																																								
																				1452503-3																																								
																				1452503-2																																								
																				1452503-1																																								
																				ISOLATION CRIMP Isolationcrimp	-	CuSn0.15	CuNi3Si	TIN PLATED verzinkt	SILVER PLATED versilbert	0.75-	20	0.5	1.4	2.3	2.5	1.1	3	3.2	1.75	-	-	1528148	0-1579001-5																					
																																								1394897-3																				
																																								1394897-2																				
																																								1394897-1																				
																																								1452503-3																				
																																								1452503-2																				
																																								1452503-1																				
LOOSE PIECE/ Einzelausfuehrung	-	CuSn0.15	CuNi3Si	TIN PLATED verzinkt	SILVER PLATED versilbert	1.0-	18	-	1.9-	2.6	2.95	1.3	3.75	3.95	2.1	-	-	1528150	1-1579001-3																																									
																																								1418850-3																				
																																								1418850-2																				
																																								1418850-1																				
																																								1452500-3																				
																																								1452500-2																				
																																								1452500-1																				
																																								1534594-3																				
																																								1534594-2																				
																																								1534594-1																				
																				1670144-3																																								
																				1670144-2																																								
																				1670144-1																																								
																				1394897-3																																								
																				1394897-2																																								
																				1394897-1																																								
																				SINGLE WIRE SEAL FOR CAVITY DIAMETER: Einzeldichtung fuer Kammerdurchmesser: ORDER NO./Bestell-Nr.	-	CuSn0.15	CuNi3Si	TIN PLATED verzinkt	SILVER PLATED versilbert	0.5-	20	0.5	1.4	2.3	2.5	1.1	3	3.2	1.75	-	-	1528148	0-1579001-5																					
1394897-3																																																												
1394897-2																																																												
1394897-1																																																												
1452503-3																																																												
1452503-2																																																												
1452503-1																																																												
BLIND PLUG Blindstopfen	-	CuSn0.15	CuNi3Si	TIN PLATED verzinkt	SILVER PLATED versilbert	1.0-	18	-	1.9-	2.6	2.95	1.3	3.75	3.95	2.1	-	-	1528150	1-1579001-3																																									
																																								1418850-3																				
																																								1418850-2																				
																																								1418850-1																				
																																								1452500-3																				
																																								1452500-2																				
																																								1452500-1																				
																																								1534594-3																				
																																								1534594-2																				
																																								1534594-1																				
																				1670144-3																																								
																				1670144-2																																								
																				1670144-1																																								
																				1394897-3																																								
																				1394897-2																																								
																				1394897-1																																								
																				MASTER APPLICATION-TOOL Basis Crimp-Werkzeug	-	CuSn0.15	CuNi3Si	TIN PLATED verzinkt	SILVER PLATED versilbert	0.75-	20	0.5	1.4	2.3	2.5	1.1	3	3.2	1.75	-	-	1528148	0-1579001-5																					
1394897-3																																																												
1394897-2																																																												
1394897-1																																																												
1452503-3																																																												
1452503-2																																																												
1452503-1																																																												
DIE-PN FOR BASIC-HAND TOOL 539635-1 ERGO-CRIMP Matrizen PN fuer Basishandzange 539635-1 ERGO-Crimp	-	CuSn0.15	CuNi3Si	TIN PLATED verzinkt	SILVER PLATED versilbert	0.75-	20	0.5	1.4	2.3	2.5	1.1	3	3.2	1.75	-	-	1528148	0-1579001-5																																									
																																								1394897-3																				
																																								1394897-2																				
																																								1394897-1																				
																																								1452503-3																				
																																								1452503-2																				
																																								1452503-1																				
																																								EXTRACTION TOOL Ausdruckwerkzeug	-	CuSn0.15	CuNi3Si	TIN PLATED verzinkt	SILVER PLATED versilbert	0.75-	20	0.5	1.4	2.3	2.5	1.1	3	3.2	1.75	-	-	1528148	0-1579001-5	
																																																												1394897-3
																																																												1394897-2
																				1394897-1																																								
																				1452503-3																																								
																				1452503-2																																								
																				1452503-1																																								
																				EXTRACTION TOOL FOR SECONDARY LOCK Ausdruckwerkzeug fuer zweite Kontaktsicherung	-	CuSn0.15	CuNi3Si	TIN PLATED verzinkt	SILVER PLATED versilbert	1.0-	18	-	1.9-	2.6	2.95	1.3	3.75	3.95	2.1	-	-	1528150	1-1579001-3																					
																																																												1418850-3
																																																												1418850-2
1418850-1																																																												
1452500-3																																																												
1452500-2																																																												
1452500-1																																																												
1534594-3																																																												
1534594-2																																																												
1534594-1																																																												
1670144-3																																																												
1670144-2																																																												
1670144-1																																																												
1394897-3																																																												
1394897-2																																																												
1394897-1																																																												

NOTES

- 1 BODY
 - 2 SPRING
 - 3 ONLY FOR FLR-WIRE SEE DIN 72551. PART 6 AND AWG WIRE ACCORDING DC-SPEC: MS-8288; MS-7889; MS-9532
 - 4 SURFACE
 - a) BODY -PRE TIN 1 TO 3 µm
 - b) SPRING -PRE TIN SnAg 1 TO 3 µm
 - GOLD PLATED MIN. 0.8 µm (ONLY CONTACT AREA)
 - SILVER PLATED 2 TO 5 µm (ONLY CONTACT AREA)
 - 5 STAMPED INDICATOR FOR PLATING:
 - A U GOLD PLATING
 - A G SILVER PLATING
 - TIN PLATING WITHOUT INDICATOR
 - 6 OPTIONAL DATE CODE
 - 7 1394897-1, -2, -3 superseded by 1670144-1, -2, -3
1418847-1, -2, -3 superseded by 1670146-1, -2, -3
- CAUTION!
 PART NUMBERS 1670144 AND 1670146 ARE PROCESSED WITH OTHER CRIMP HEIGHTS. SEE APPLICATION SPECIFICATION NO.114-18464 UP FROM REVISION "P"

Bemerkungen

- 1 Kontaktkoerper
 - 2 Kontaktfeder
 - 3 Nur fuer FLR-Leitung nach DIN 72551. Teil 6 und AWG Leitung nach DC-Spec: MS-8288; MS-7889; MS-9532
 - 4 Oberflaeche
 - a) Kontaktkoerper -verzinkt 1 bis 3 µm
 - b) Kontaktfeder -verzinkt SnAg 1 bis 3 µm
 - galv. vergolde min. 0.8 µm (nur Kontaktzone)
 - galv. versilbert 2 bis 5 µm (nur Kontaktzone)
 - 5 Markierung fuer galvanische Ausfuehrung:
 - A U vergolde
 - A G versilbert
 - Verzinkt: ohne Markierung
 - 6 Optional Datumscode
 - 7 1394897-1, -2, -3 ersetzt durch 1670144-1, -2, -3
1418847-1, -2, -3 ersetzt durch 1670146-1, -2, -3
- ACHTUNG!
 Teilenummern 1670144 und 1670146 werden mit anderen Crimphoehen verarbeitet. Siehe Verarbeitungsspezifikation Nr.114-18464 ab Revision "P"

THIS DRAWING IS A CONTROLLED DOCUMENT.		TOLERANCING ISO 8015 TOLERIERUNG ISO 8015	
DIMENSIONS: mm		DWN: G. Hotea 17AUG2001 CHK: E. Herth 11MAR2002 APVD: H. Wendling 12MAR2002	
MATERIAL: -		NAME: MCON 1.2 CB (CLEAN BODY)	
FINISH: -		SIZE: 114-18464 WEIGHT: 0.18 g	
EXTRACTION TOOL: Ausdruckwerkzeug		Customer Drawing	
EXTRACTION TOOL FOR SECONDARY LOCK: Ausdruckwerkzeug fuer zweite Kontaktsicherung		SCALE: 10:1	
SHEET: 1 OF 1		REV: G5	

Mouser Electronics

Authorized Distributor

Click to View Pricing, Inventory, Delivery & Lifecycle Information:

[TE Connectivity:](#)

[1452503-3](#)