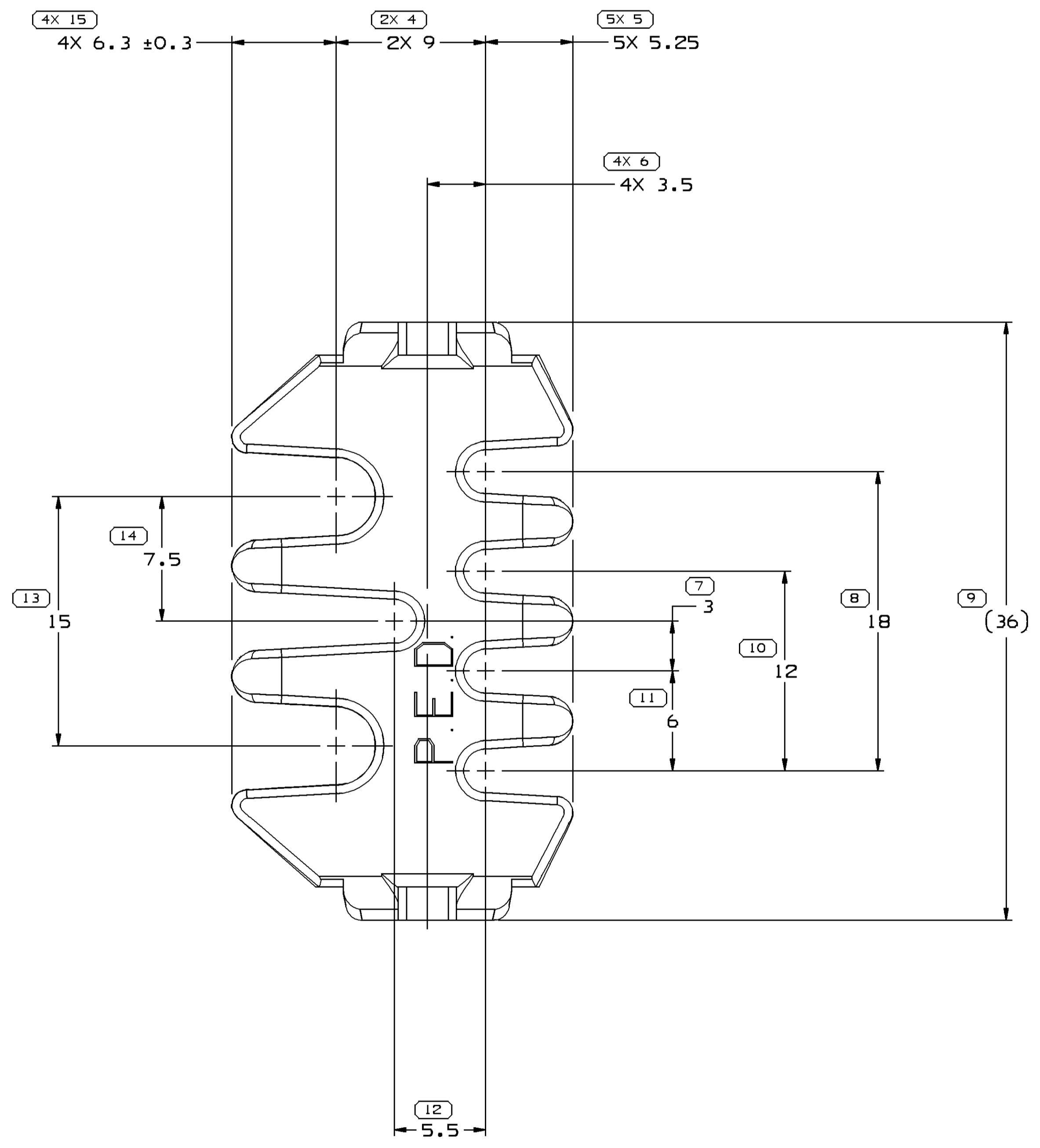
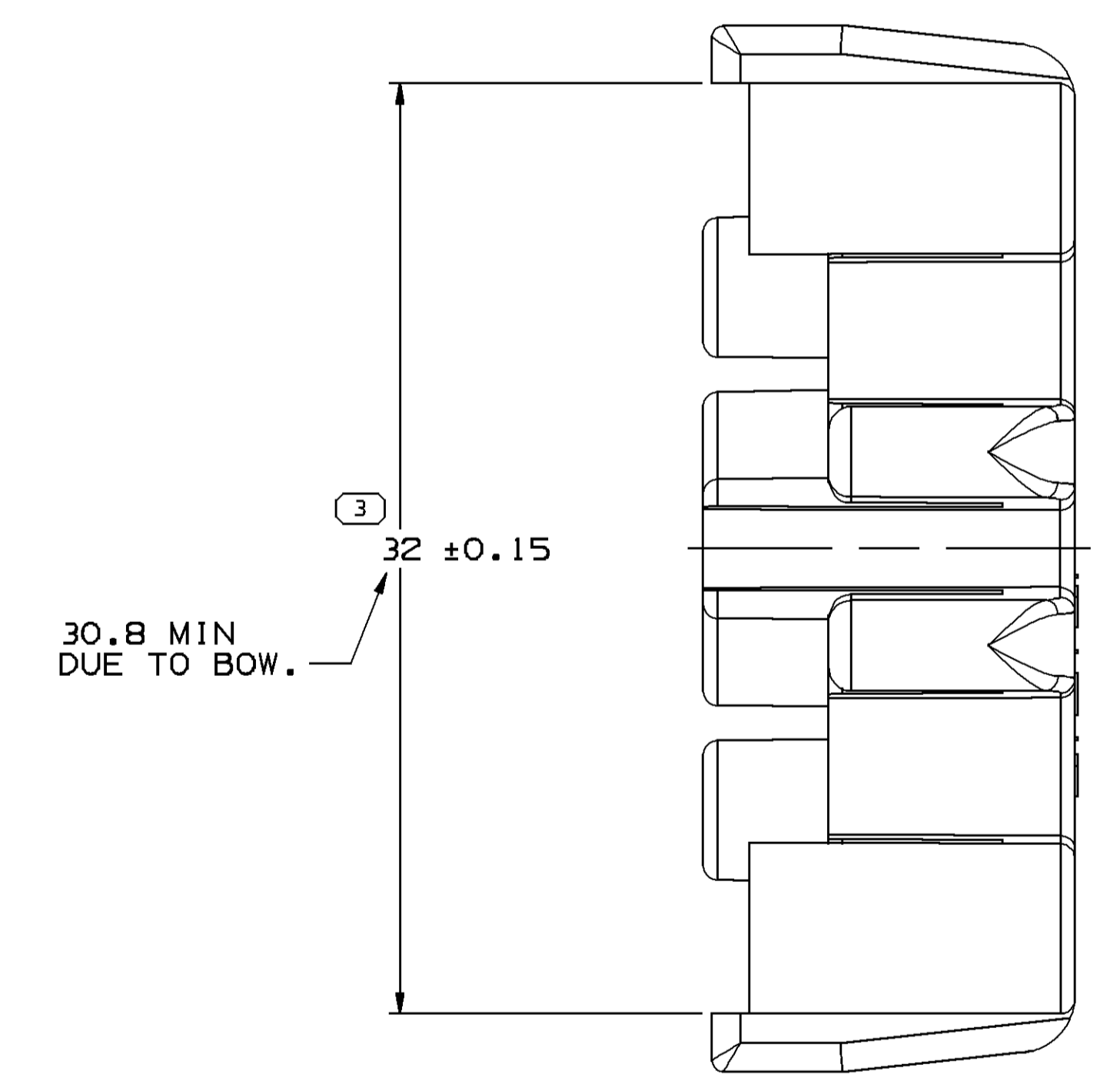
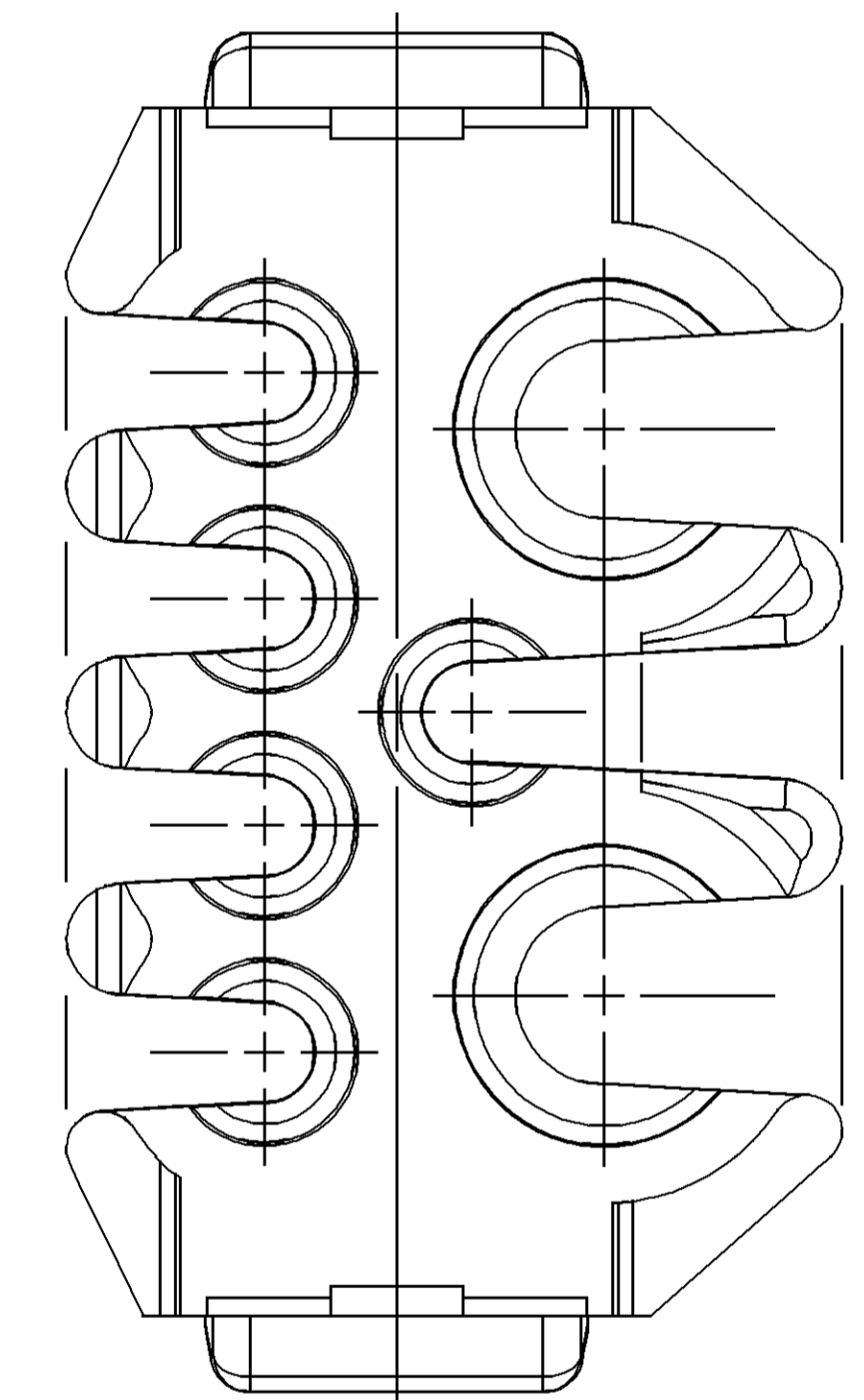
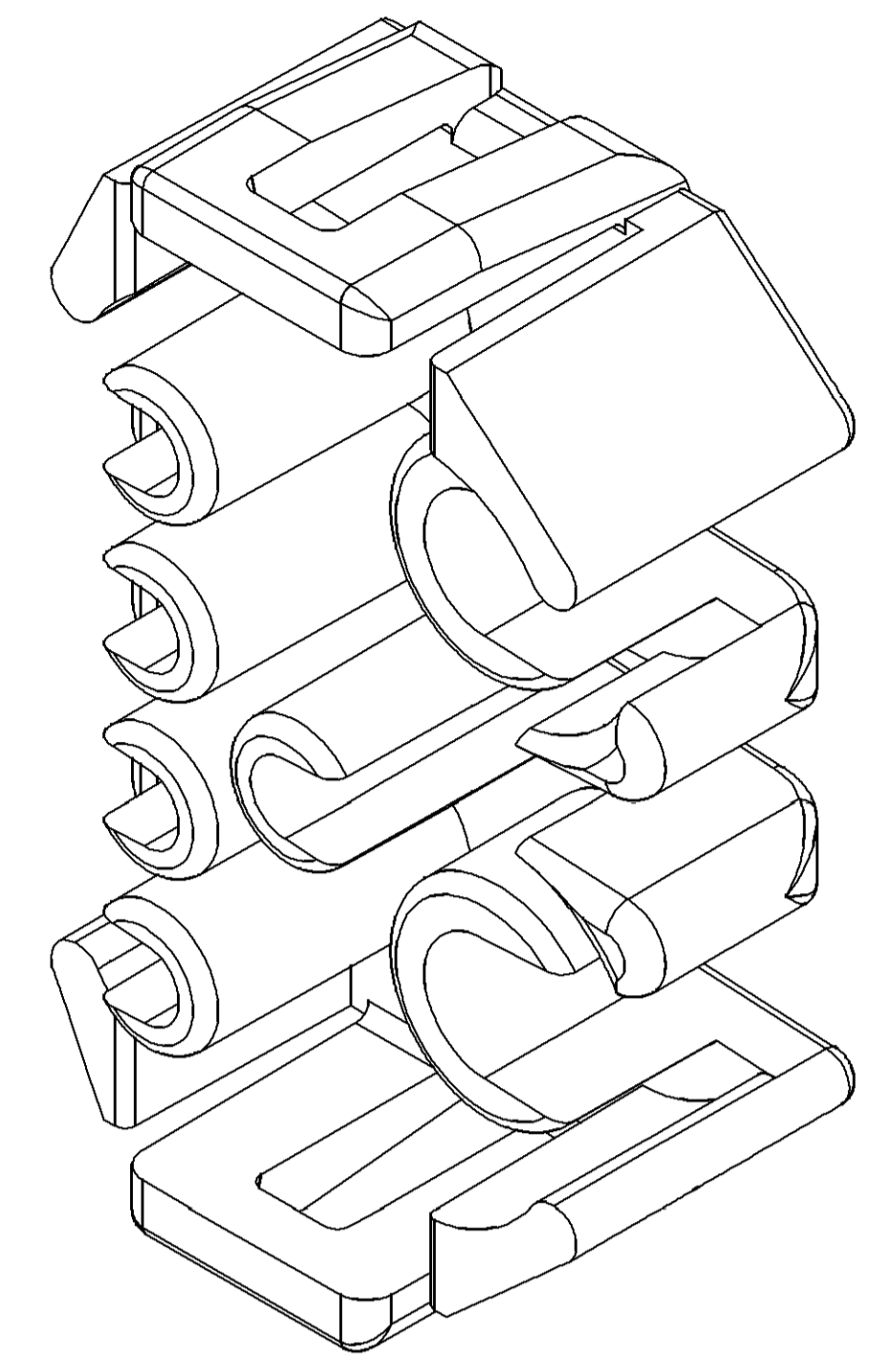
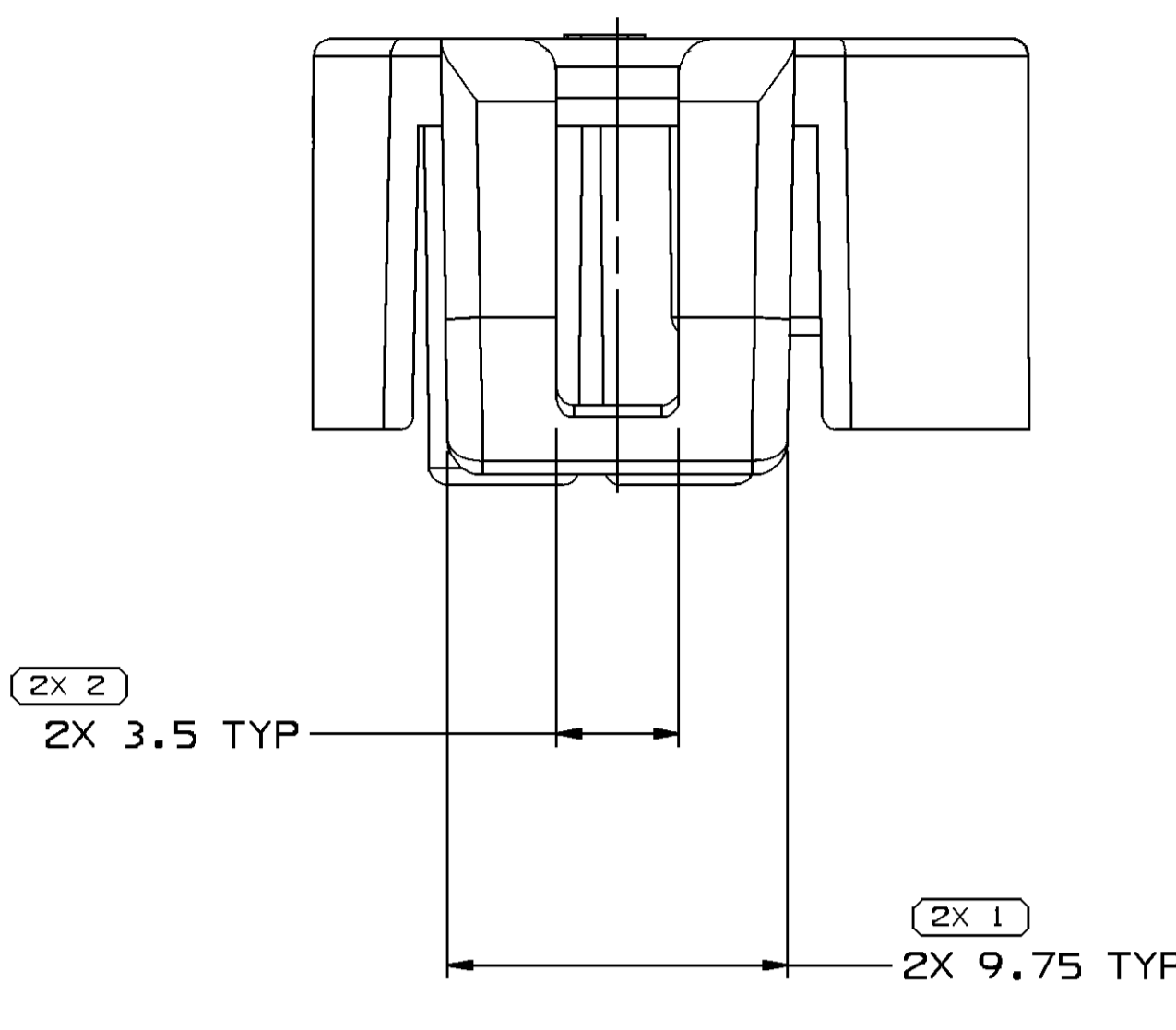


SYMBOL DEFINITION		MISSING SYMBOLS	
A DIMENSION WITHOUT AN INSPECTION REPORT SYMBOL ( ) DOES NOT REQUIRE INSPECTION. IT MAY BE CONTROLLED ON THE INDIVIDUAL COMPONENT DRAWING.		TOTAL NO OF INSPECTIONS REQUIRED	28
		NO MISSING SYMBOL NUMBER	
		LAST NO. USED	15

DWG STATUS				REVISION HISTORY				AUTH		DR		AP/VD	
DATE	STG	REV	N/P	CHG	ZONE								
16FE99	R	D4	-	-		REDRAWN TO PD & UPDATED PDM ATTRIBUTES				190264	HGH	BMC	JH
13FE09	R	D5	-	-		RELOCATED CENTERLINE DIMENSIONS TO BACK VIEW (11 PLCS)				407354	DMC	SCR	MMR



- NOTES
- UNLESS OTHERWISE SPECIFIED AND/OR INDICATED, DIMENSIONS ARE TO FACE OF VIEW SHOWN AND AUTOMATICALLY ROUNDED BY COMPUTER FOR INSPECTION. (SEE MATH MODEL FOR PRECISE DIMENSIONS.) FOR ALL OTHER DIMENSIONS NOT SHOWN BUT REQUIRED FOR TOOL BUILD, SEE MATH MODEL FOR PRECISE TOOL PATH DATA.
  - THIS PART IS NOT CONTROLLED FOR AUTOMATIC FEEDING.
  - MATING COMPONENTS OR EQUIVALENT: CONNECTOR 12052197
  - 480 SERIES - MAX. CABLE DIA. THAT WILL FIT PART IS 4.5.
  - 150 SERIES - MAX. CABLE DIA. THAT WILL FIT PART IS 2.5.
  - MATERIAL RECYCLING CODE PER ISO 11469. (2,3)X(0,1) CHARACTERS AS SHOWN TO BE LOCATED ON ANY EXTERIOR SURFACE.
  - THIS PRODUCT IS NOT CATEGORIZED AS AN APPEARANCE ITEM, MINOR IMPERFECTIONS INCLUDING, BUT NOT LIMITED TO, FLOW MARKS, COLOR BLEMISHES, GATE VESTIGE, AND SOFT FLASH THAT DO NOT AFFECT THE FIT, FORM, OR FUNCTION OF THE PART ARE PERMISSIBLE PER NAP 4.10-18.
  - (2,3)X(0,1) DELPHI CORPORATE BRAND TO BE LOCATED ON ANY EXTERIOR SURFACE, PREFERABLY VISIBLE AT FINAL ASSEMBLY. OPTIONAL CONSTRUCTION FOR EXISTING TOOLING MAY BE "PED".

DWG TYPE PART DRAWING																																											
STYLE	DATE																																										
VOLUME 10/P 2,852	DISTR CODE D																																										
UNLESS OTHERWISE SPECIFIED THIS DOCUMENT IS IN ACCORDANCE WITH ASME Y14.5M-1994 AS MODIFIED BY THE IN-SUPPLY DIMENSIONING AND TOLERANCING ADDENDUM-001. SEPARATE WRITINGS OF FEATURES MAY BE BASED SEPARATELY PER RELEASE OF DRAWING REFERENCES.																																											
ALL DIMENSIONS ARE IN MILLIMETERS																																											
REFERENCE																																											
<table border="1"> <thead> <tr> <th>DIMENSIONAL RANGE (MM)</th> <th>CHGRT</th> <th>ET</th> </tr> </thead> <tbody> <tr> <td>FROM &gt; 0</td> <td>&gt; 20</td> <td>&gt; 70</td> </tr> <tr> <td>TO</td> <td>20</td> <td>70</td> </tr> <tr> <td></td> <td>70</td> <td>100</td> </tr> <tr> <td></td> <td>100</td> <td>150</td> </tr> <tr> <td></td> <td>150</td> <td>200</td> </tr> <tr> <td></td> <td>200</td> <td>250</td> </tr> <tr> <td></td> <td>250</td> <td>300</td> </tr> <tr> <td></td> <td>300</td> <td>400</td> </tr> <tr> <td colspan="3">TOLERANCE UNLESS OTHERWISE SPECIFIED</td> </tr> <tr> <td>±0.15</td> <td>±0.2</td> <td>±0.3</td> </tr> <tr> <td>±0.4</td> <td>±0.5</td> <td>±0.6</td> </tr> <tr> <td>±0.8</td> <td>±1</td> <td>±1.2</td> </tr> <tr> <td colspan="3">ANGULAR TOLERANCE 2°</td> </tr> </tbody> </table>		DIMENSIONAL RANGE (MM)	CHGRT	ET	FROM > 0	> 20	> 70	TO	20	70		70	100		100	150		150	200		200	250		250	300		300	400	TOLERANCE UNLESS OTHERWISE SPECIFIED			±0.15	±0.2	±0.3	±0.4	±0.5	±0.6	±0.8	±1	±1.2	ANGULAR TOLERANCE 2°		
DIMENSIONAL RANGE (MM)	CHGRT	ET																																									
FROM > 0	> 20	> 70																																									
TO	20	70																																									
	70	100																																									
	100	150																																									
	150	200																																									
	200	250																																									
	250	300																																									
	300	400																																									
TOLERANCE UNLESS OTHERWISE SPECIFIED																																											
±0.15	±0.2	±0.3																																									
±0.4	±0.5	±0.6																																									
±0.8	±1	±1.2																																									
ANGULAR TOLERANCE 2°																																											
THIRD ANGLE PROJECTION	DO NOT SCALE																																										
USE MATH DATA	NX																																										

**DELPHI**  
DELPHI PACKARD ELECTRICAL/ELECTRONIC ARCHITECTURE  
WARREN, OH

DR	DATE
APVD1 H. GAMA	16FE99
APVD2 G. MACIAS	16FE99
APVD3 J. HORIUCHI	23FE99
APVD4	
APVD5	

SUBSTANCES OF CONCERN AND RECYCLED CONTENT PER DELPHI 10949001

MATERIAL: POLYAMIDE COMPOUND GRAY

DRAWING NAME  
LOCK SECONDARY TPA M/P 7

DRAWING NUMBER  
**12052486**

SIZE	SCALE	FRAME NO	SHEET NO	STG	REV	N/P
A0	5:1	1 OF 1	1 OF 1	R	D5	-

# Mouser Electronics

Authorized Distributor

Click to View Pricing, Inventory, Delivery & Lifecycle Information:

[Delphi Connection Systems:](#)

[12052486](#)