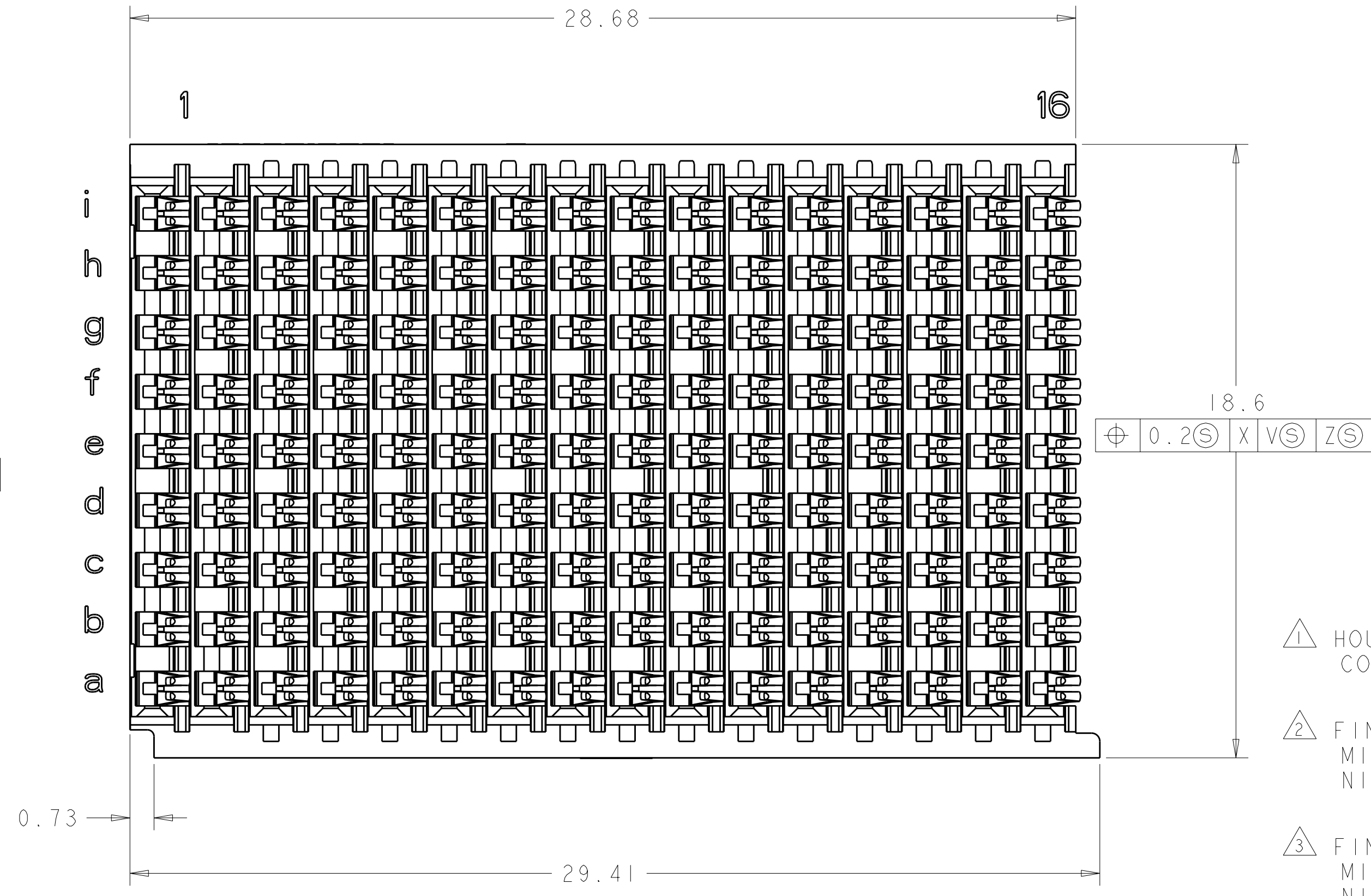
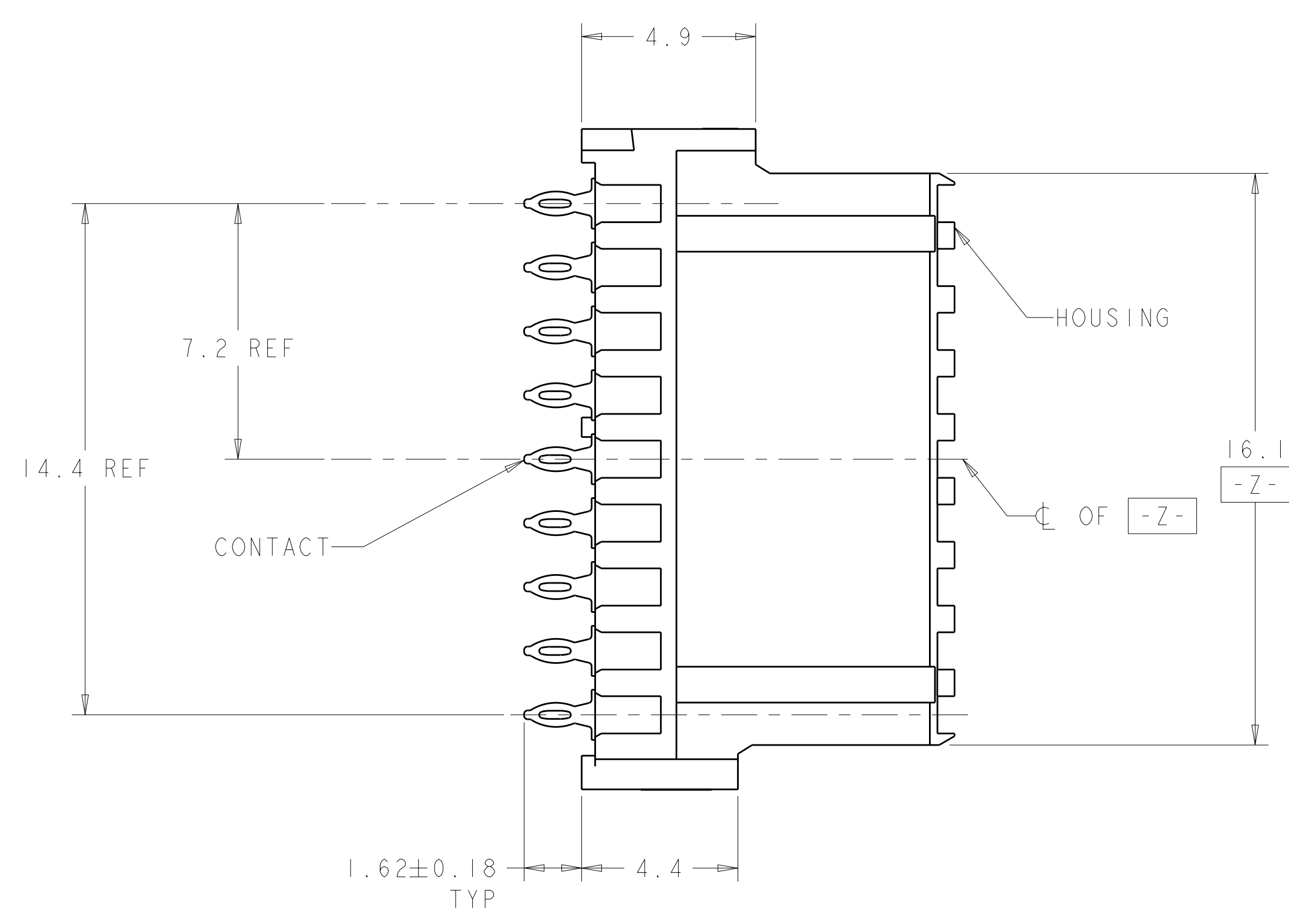
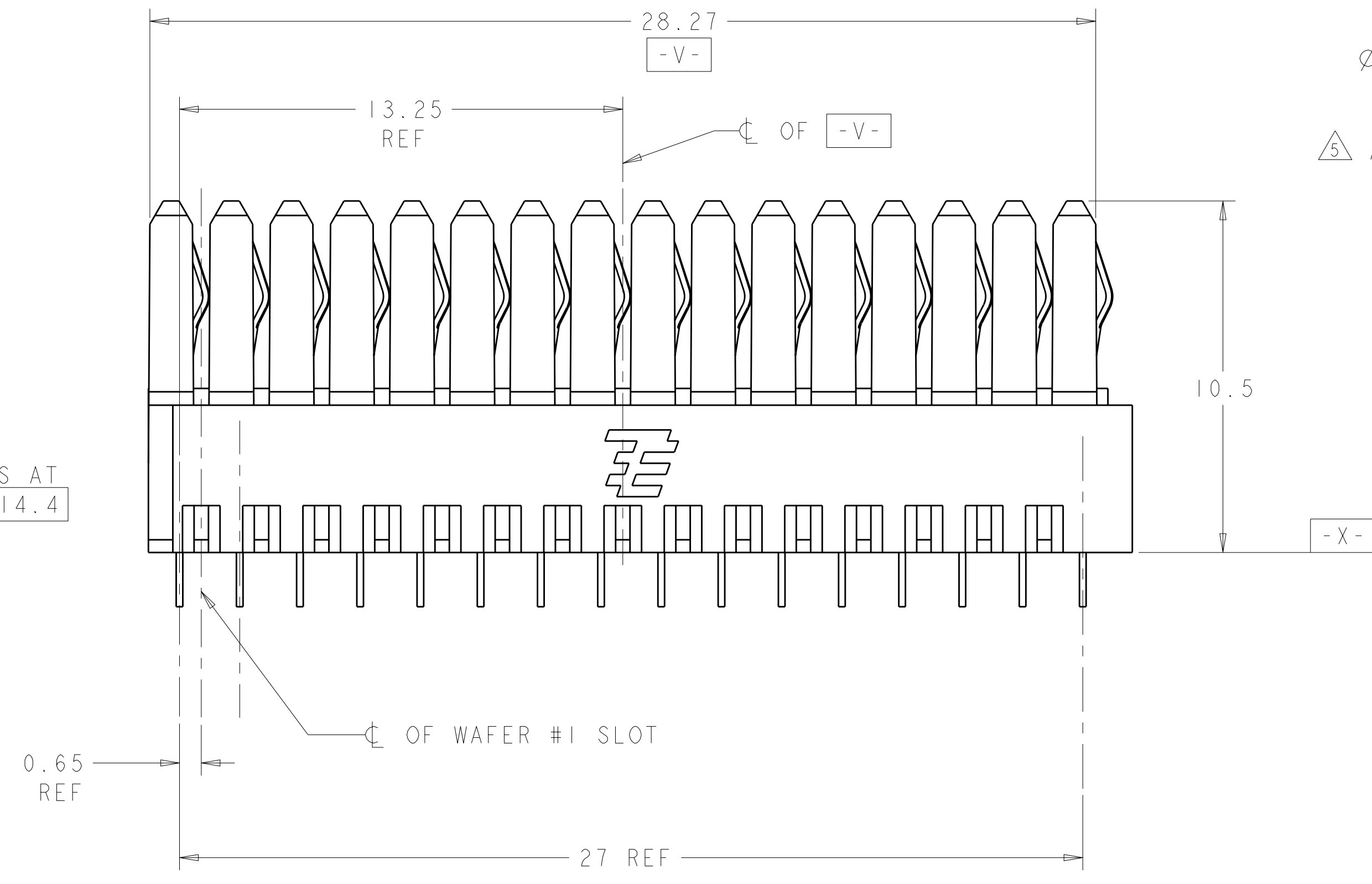
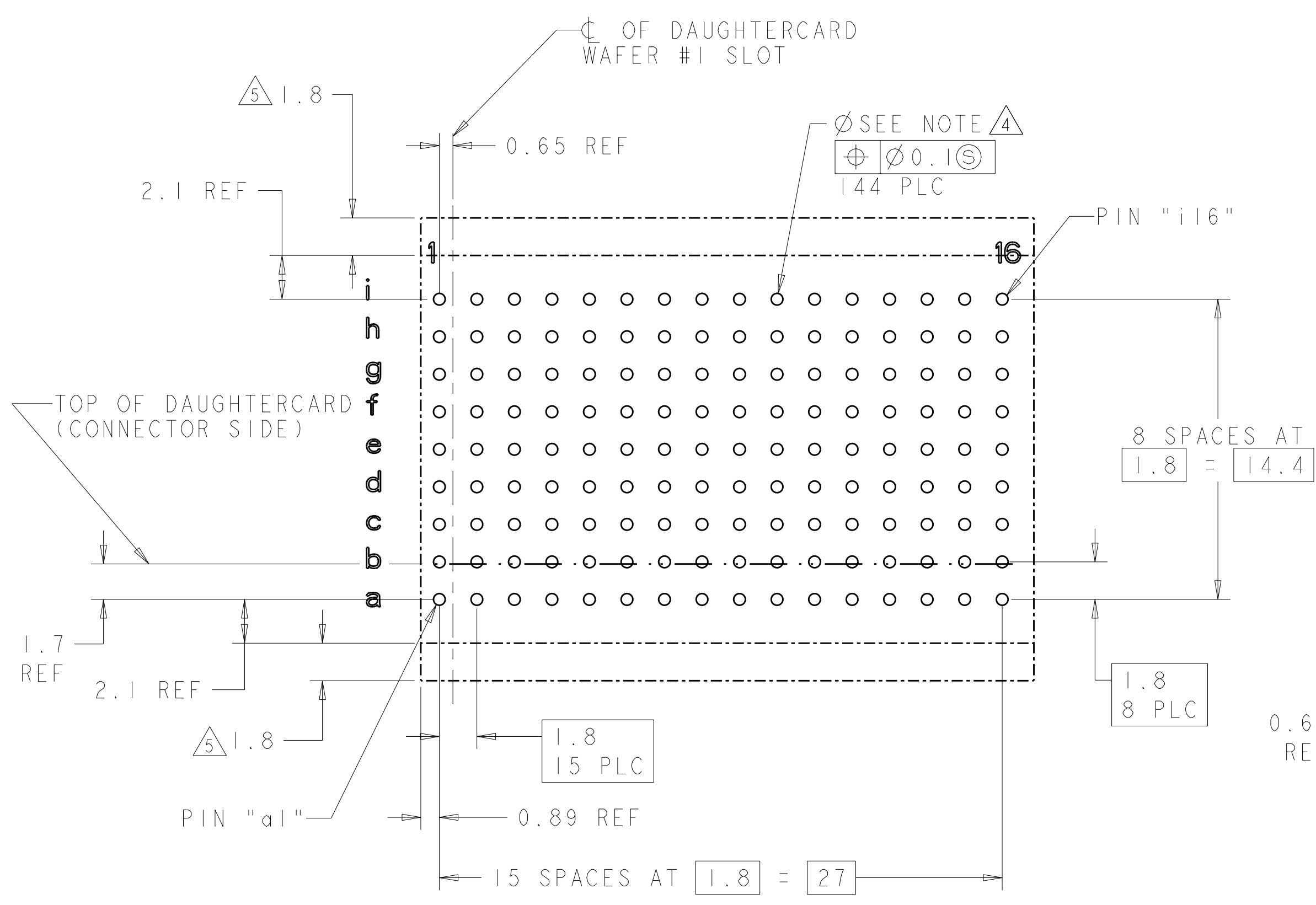


LOC	DIST	REV	DATE	BY	APPD
GP	00	C	08SEP2011	HMR	AS
REVISIONS					
DESCRIPTION			DATE	DWN	APPD
REVISED PER ECO-11-003271			08SEP2011	HMR	AS



- △ HOUSING: LCP, UL94V0, COLOR: BLACK.
CONTACT: PHOSPHOR BRONZE.
- △ FINISH: 1.27µm GOLD IN CONTACT AREA 1.27µm MIN. TIN-LEAD ON PCB TAIL OVER 3.81µm MIN. NICKEL OVER ALL.
- △ FINISH: 1.27µm GOLD IN CONTACT AREA 1.27µm MIN. TIN ON PCB TAIL OVER 3.81µm MIN. NICKEL OVER ALL.
- △ MANUFACTURING TOLERANCE FOR:
Ø0.56±0.05 FINISHED HOLE WITH Sn PB PLATING:
DRILLED HOLE = Ø0.65±0.02
COPPER PLATING = 0.025-0.050
Sn PB PLATING = 0.0038-0.0124
OR
Ø0.575±0.05 FINISHED HOLE WITHOUT Sn PB PLATING:
DRILLED HOLE = Ø0.65±0.02
COPPER PLATING = 0.025-0.050
- △ ADDITIONAL CONNECTOR-SIDE KEEPOUT AREA REQUIRED IF CONNECTOR-SIDE EXTRACTION TOOL IS TO BE USED.



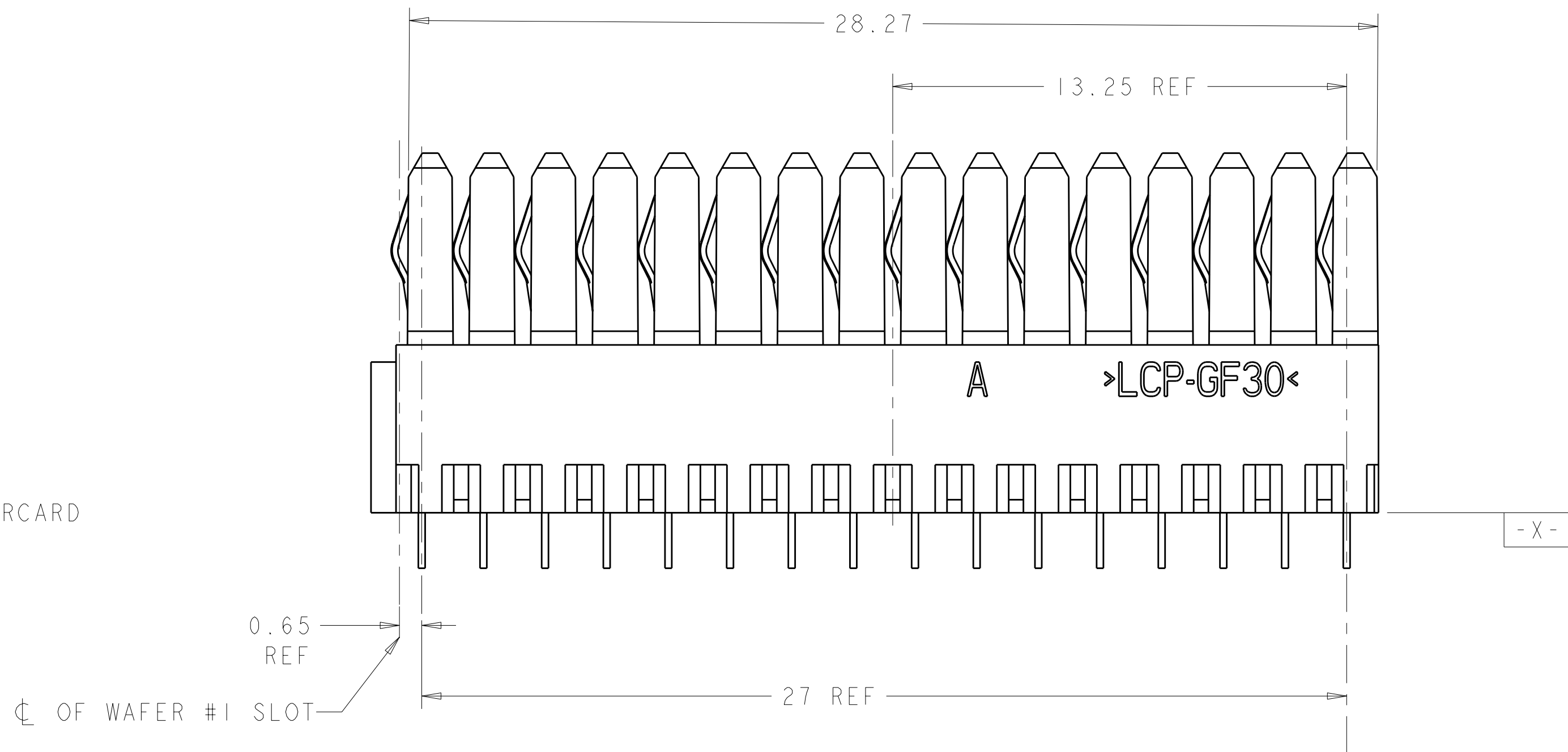
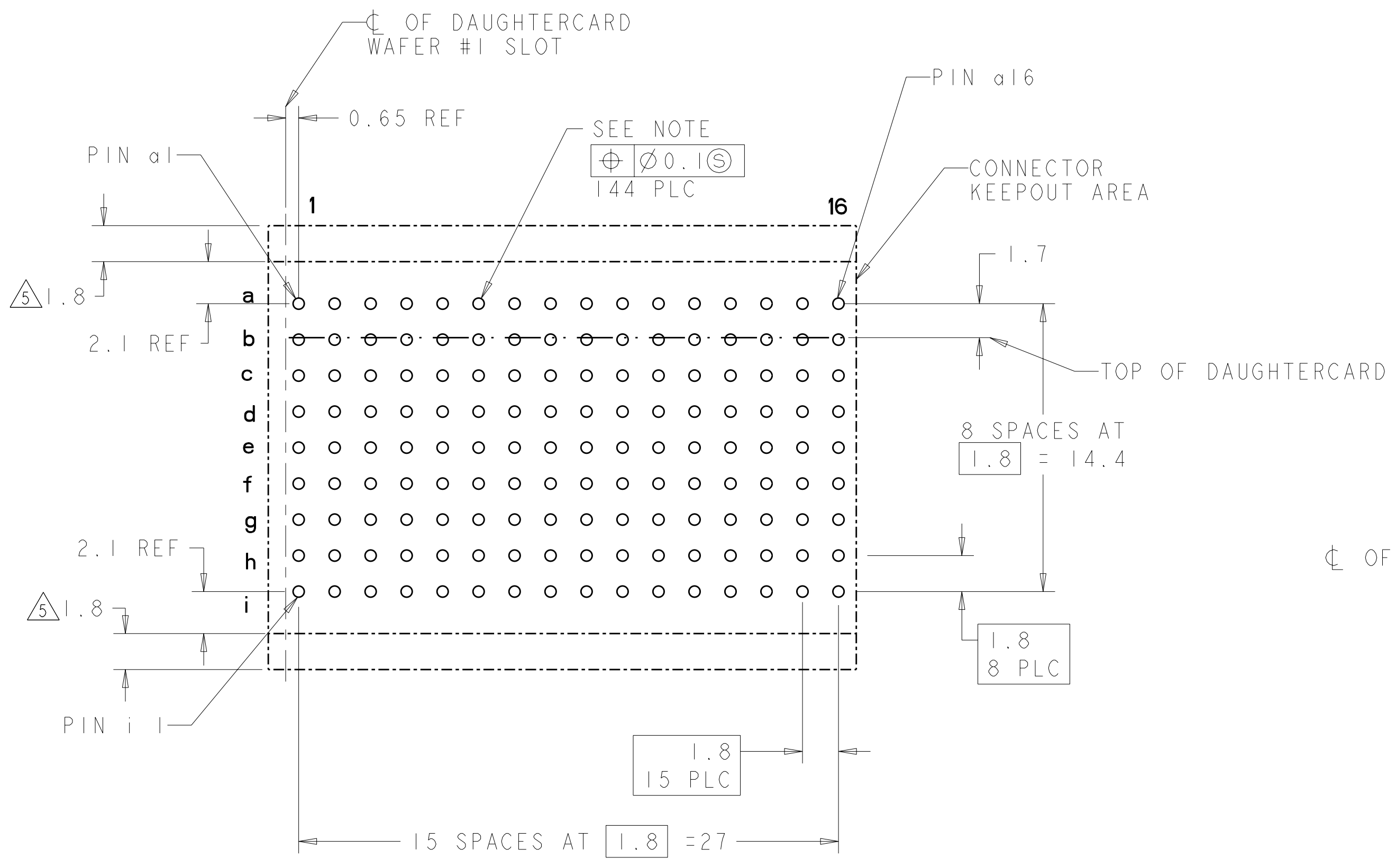
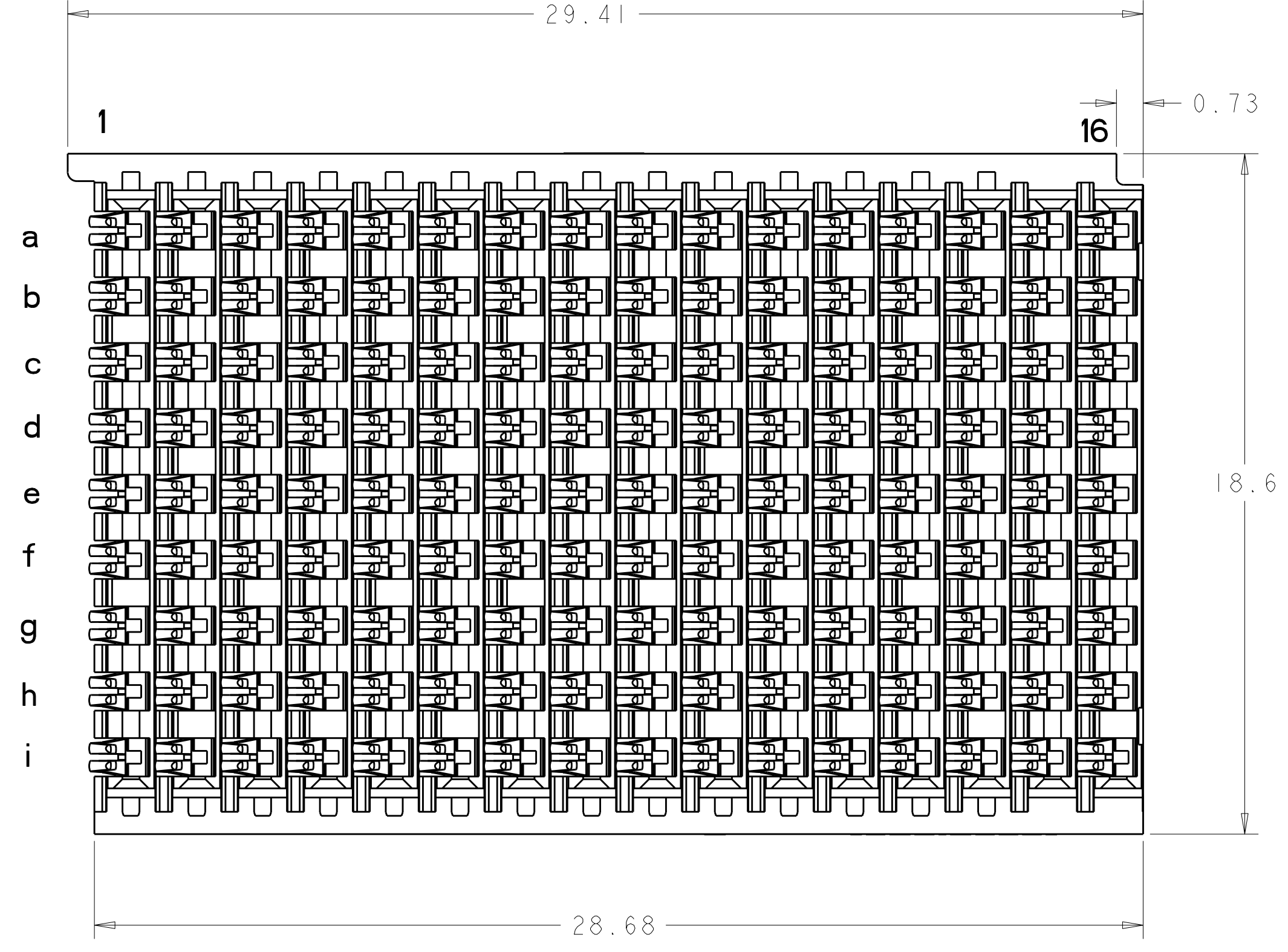
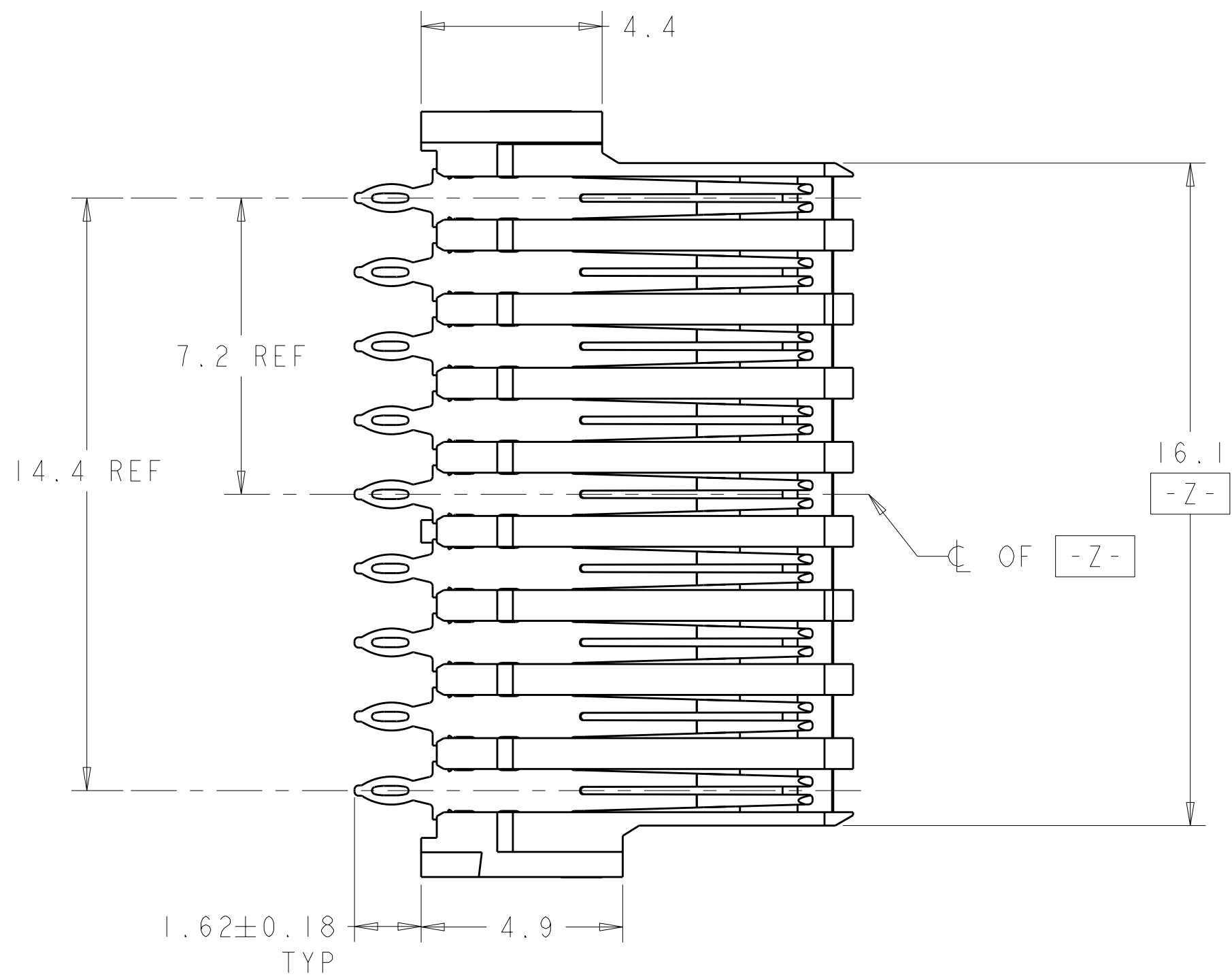
PC BOARD LAYOUT (CONNECTOR SIDE)
(SEE SHEET 2 FOR RTM)
SCALE 5:1

1410140-2	1410140-1
PLATING	PART NO

THIS DRAWING IS A CONTROLLED DOCUMENT.		DWN: R. TREA 08NOV2002	1410140-2
DIMENSIONS: mm		CHK: J. CONSOLI 18NOV2002	1410140-1
TOLERANCES UNLESS OTHERWISE SPECIFIED:		APPD: J. CONSOLI 18NOV2002	PLATING PART NO
Ø	9 PLC ±	PRODUCT SPEC	TE Connectivity
□	1 PLC ±0.5	108-2072	CONNECTOR ASSEMBLY, BACKPLANE
∠	3 PLC ±0.13	APPLICATION SPEC	VERTICAL RECEPTACLE, CENTER,
∠	4 PLC ±	114-13056	20.3mm, MultiGig RT 2
∠	ANGLES ±	SIZE CAGE CODE DRAWING NO	RESTRICTED TO
∠	FINISH ±1°	114-13056	A1100779C=1410140
MATERIAL	FINISH	WEIGHT	SCALE 4:1 SHEET 1 OF 2 REV C
∠	∠	CUSTOMER DRAWING	

LOC	DIST	REV	DATE	BY	APPD
GP	00				
REVISIONS			DESCRIPTION	DATE	DWN
			SEE SHEET 1		

REAR TRANSITION MODULE APPLICATION



RTM PC BOARD LAYOUT
(CONNECTOR SIDE)
SCALE 5:1

THIS DRAWING IS A CONTROLLED DOCUMENT.		DWN R. TREA	08NOV2002	 TE Connectivity
DIMENSIONS: mm		CHK J. CONSOLI	18NOV2002	
TOLERANCES UNLESS OTHERWISE SPECIFIED:		APVD	18NOV2002	NAME CONNECTOR ASSEMBLY, BACKPLANE VERTICAL RECEPTACLE, CENTER, 20.3mm, MultiGig RT 2
9 PLC ± 7 PLC ±0.5 5 PLC ±0.13 4 PLC ± ANGLES ±1°		PRODUCT SPEC	108-2072	
MATERIAL		APPLICATION SPEC	114-13056	SIZE CAGE CODE DRAWING NO A100779C-1410140
FINISH		WEIGHT		
		CUSTOMER DRAWING		RESTRICTED TO
		SCALE	4:1	SHEET 2 OF 2
		REV		C