

LDC1000 电感数字转换器

1 特性

- 无磁体操作
- 亚微米高精度
- 可调节感测范围（通过线圈设计实现）
- 系统成本较低
- 支持远程放置传感器（在恶劣环境中对 LDC 去耦合）
- 高耐用性（通过非接触式操作实现）
- 不易受到环境干扰因素的影响（诸如污垢、灰尘、水、油）
- 电源电压范围（模拟）：4.75V 至 5.25V
- 电源电压范围 (I/O)：1.8V 至 5.25V
- 电源电流（不含 LC 振荡电路）：1.7mA
- R_p 分辨率：16 位
- L 分辨率：24 位
- LC 频率范围：5kHz 至 5MHz

2 应用

- 位置感测
- 运动感测
- 轮齿计数
- 流量计
- 按钮开关
- 多功能打印机
- 数码照相机
- 医疗设备

3 说明

电感感测是一种遥控的、短程感测技术，此项技术能够在灰尘、污垢、油和潮湿环境中实现导体目标的低成本、高分辨率感测，这使得它在恶劣环境中非常可靠。通过使用可在印刷电路板 (PCB) 上被创建为一个感测元件的线圈，LDC1000 可实现超低成本系统解决方案。

电感感测技术可对线性位置或角位置、位移、运动、压缩、振动、金属成分及其他应用进行高精度测量，广泛应用于汽车、消费类产品、计算机、工业、医疗和通信等市场领域。与同类感测技术相比，电感感测的性能更为优异，可靠性和灵活性更高并且系统成本更低。

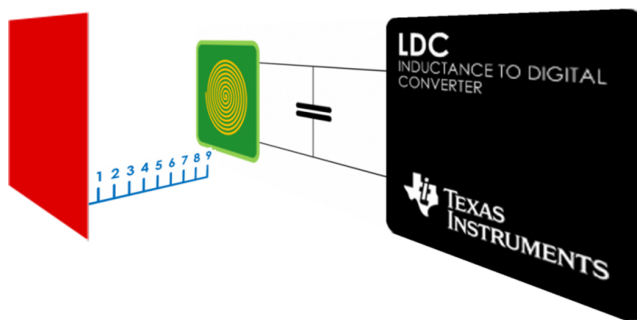
LDC1000 是世界上第一个电感数字转换器，从而在一个低功耗、小封装尺寸解决方案内提供电感感测的优势。此产品采用一个小外形尺寸无引线 (SON)-16 封装，并且提供了几种运行模式。其串行外设接口 (SPI) 简化了与微控制器 (MCU) 的连接方式。

器件信息⁽¹⁾

部件号	封装	封装尺寸 (标称值)
LDC1000	WSON (16)	5.00mm × 4.00mm

(1) 如需了解所有可用封装，请参见数据表末尾的可订购产品附录。

轴距感测应用



目录

1	特性	1	7.4	Device Functional Modes	13
2	应用	1	7.5	Programming	16
3	说明	1	7.6	Register Maps	18
4	修订历史记录	2	8	Application and Implementation	24
5	Pin Configuration and Functions	4	8.1	Application Information	24
6	Specifications	5	8.2	Typical Application	25
6.1	Absolute Maximum Ratings	5	9	Power Supply Recommendations	28
6.2	ESD Ratings	5	10	Layout	28
6.3	Recommended Operating Condition	5	10.1	Layout Guidelines	28
6.4	Thermal Information	5	10.2	Layout Example	29
6.5	Electrical Characteristics	6	11	器件和文档支持	30
6.6	Timing Requirements	7	11.1	文档支持 (如果适用)	30
6.7	Typical Characteristics	8	11.2	社区资源	30
7	Detailed Description	9	11.3	商标	30
7.1	Overview	9	11.4	静电放电警告	30
7.2	Functional Block Diagram	9	11.5	Glossary	30
7.3	Feature Description	9	12	机械、封装和可订购信息	30

4 修订历史记录

Changes from Revision B (March 2015) to Revision C

Page

•	Changed XOUT pin description to clarify proper crystal connection	4
•	Added instructions on proper DAP connection	4
•	Added conditions for L measurement resolution	6
•	Changed TYP to NOM	7
•	Changed Some descriptions of device functionality for better clarity and consistency	9
•	Changed RP Conversion equation for clarity	12
•	Added extended SPI transaction figure for clarity	17
•	Changed Register maps to include Clock Configuration and Threshold Registers	18
•	Changed description of Min Sensor frequency for clarity	21
•	Added documentation of registers 0x05, 0x06, and 0x08	21
•	Changed description of OSC Status to include possible causes.	23
•	Changed some details on Application Information for improved clarity and consistency.	24
•	Deleted lateral and rotation images from example applications, as example application details axial sensing configuration	25
•	Changed details of example design for improved clarity	26

Changes from Revision A (December 2013) to Revision B

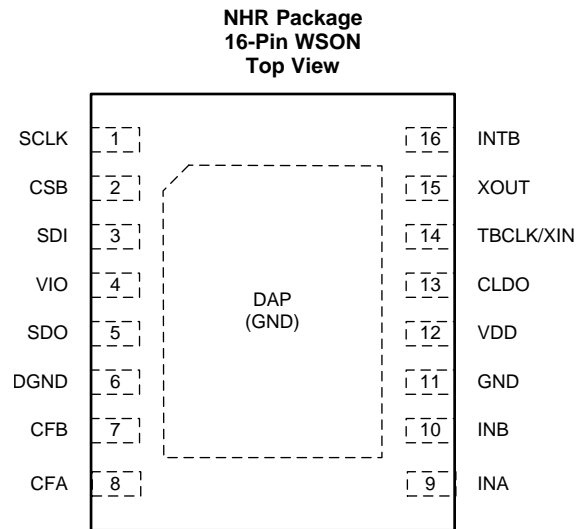
Page

•	已添加 ESD 额定值表, 特性描述部分, 器件功能模式, 应用和实施部分, 电源相关建议部分, 布局部分, 器件和文档支持部分以及机械、封装和可订购信息部分	1
•	Changed SCLK Pin type from DO to DI	4
•	Added L Res value to <i>Electrical Characteristics</i>	6
•	Added <i>Measuring Inductance With LDC1000</i> subsection to <i>Feature Description</i>	12
•	Changed Frequency Counter Data values in Register Description table	18

Changes from Original (September 2013) to Revision A**Page**

-
- Changed SCLK to CSB [7](#)
-

5 Pin Configuration and Functions



Pin Functions

PIN		TYPE ⁽¹⁾	DESCRIPTION
NAME	NO.		
SCLK	1	DI	SPI clock input. SCLK is used to clock-out/clock-in the data from/into the chip
CSB	2	DI	SPI CSB. Multiple devices can be connected on the same SPI bus with each device having a dedicated CSB connection to the MCU so that each device can be uniquely selected.
SDI	3	DI	SPI Slave Data In (Master Out Slave In). This should be connected to the Master Out Slave In of the master
VIO	4	P	Digital IO Supply
DGND	6	P	Digital ground
SDO	5	DO	SPI Slave Data Out (Master In Slave Out). It is Hi-Z when CSB is high
CFB	7	A	LDC filter capacitor
CFA	8	A	LDC filter capacitor
INA	9	A	External LC Tank. Connected to external LC tank
INB	10	A	External LC Tank. Connected to external LC tank
GND	11	P	Analog ground
VDD	12	P	Analog supply
CLDO	13	A	LDO bypass capacitor. A 56 nF capacitor should be connected from this pin to GND
TBCLK/XIN	14	DI/A	External time-base clock/XTAL. Either an external clock or crystal can be connected.
XOUT	15	A	XTAL. Crystal out. When using a crystal, a crystal should be connected across XIN and XOUT. When not using a crystal, this pin should be left floating.
INTB	16	DO	Configurable interrupt output.
DAP	17	P	Connect to GND for improved thermal performance. ⁽²⁾

(1) DO: Digital Output, DI: Digital Input, P: Power, A: Analog

(2) There is an internal electrical connection between the exposed Die Attach Pad (DAP) and the GND pin of the device. Although the DAP can be left floating, for best performance the DAP should be connected to the same potential as the device's GND pin. Do not use the DAP as the primary ground for the device. The device GND pin must always be connected to ground.

6 Specifications

6.1 Absolute Maximum Ratings⁽¹⁾

	MIN	MAX	UNIT
Analog Supply Voltage ($V_{DD} - GND$)		6	V
IO Supply Voltage ($V_{IO} - GND$)		6	V
Voltage on any Analog Pin	-0.3	$V_{DD} + 0.3$	V
Voltage on any Digital Pin	-0.3	$V_{IO} + 0.3$	V
Input Current on INA and INB		8	mA
Junction Temperature, T_J ⁽²⁾		150	°C
Storage temperature, T_{stg}	-65	150	°C

- (1) Stresses beyond those listed under *Absolute Maximum Ratings* may cause permanent damage to the device. These are stress ratings only, which do not imply functional operation of the device at these or any other conditions beyond those indicated under *Recommended Operating Conditions*. Exposure to absolute-maximum-rated conditions for extended periods may affect device reliability.
- (2) The maximum power dissipation is a function of $T_{J(MAX)}$, $R_{\theta JA}$, and the ambient temperature, T_A . The maximum allowable power dissipation at any ambient temperature is $P_{DMAX} = (T_{J(MAX)} - T_A) / R_{\theta JA}$. All numbers apply for packages soldered directly onto a PC board. The package thermal impedance is calculated in accordance with JESD 51-7.

6.2 ESD Ratings

		VALUE	UNIT
$V_{(ESD)}$ Electrostatic discharge	Human-body model (HBM), per ANSI/ESDA/JEDEC JS-001 ⁽¹⁾	±1000	V
	Charged-device model (CDM), per JEDEC specification JESD22-C101 ⁽²⁾	±250	

- (1) JEDEC document JEP155 states that 500-V HBM allows safe manufacturing with a standard ESD control process.
- (2) JEDEC document JEP157 states that 250-V CDM allows safe manufacturing with a standard ESD control process.

6.3 Recommended Operating Condition⁽¹⁾

	MIN	NOM	MAX	UNIT
Analog Supply Voltage ($V_{DD} - GND$)	4.75		5.25	V
IO Supply Voltage ($V_{IO} - GND$)	1.8		5.25	V
$V_{DD} - V_{IO}$	≥0			V
Operating Temperature, T_A	-40		125	°C

- (1) Stresses beyond those listed under *Absolute Maximum Ratings* may cause permanent damage to the device. These are stress ratings only, which do not imply functional operation of the device at these or any other conditions beyond those indicated under *Recommended Operating Conditions*. Exposure to absolute-maximum-rated conditions for extended periods may affect device reliability.

6.4 Thermal Information

THERMAL METRIC ⁽¹⁾		LDC1000	UNIT
		NHR (WSON)	
		16-PINS	
$R_{\theta JA}$	Junction-to-ambient thermal resistance ⁽²⁾	28	°C/W

- (1) For more information about traditional and new thermal metrics, see the *IC Package Thermal Metrics* application report, [SPRA953](#).
- (2) The maximum power dissipation is a function of $T_{J(MAX)}$, $R_{\theta JA}$, and the ambient temperature, T_A . The maximum allowable power dissipation at any ambient temperature is $P_{DMAX} = (T_{J(MAX)} - T_A) / R_{\theta JA}$. All numbers apply for packages soldered directly onto a PC board. The package thermal impedance is calculated in accordance with JESD 51-7.

6.5 Electrical Characteristics

Unless otherwise specified, all limits ensured for $T_A = T_J = 25^\circ\text{C}$, $V_{DD} = 5.0\text{ V}$, $V_{IO} = 3.3\text{ V}^{(1)(2)}$

PARAMETER		TEST CONDITIONS	MIN ⁽³⁾	TYP ⁽⁴⁾	MAX ⁽³⁾	UNIT
POWER						
V_{DD}	Analog Supply Voltage		4.75	5	5.25	V
V_{IO}	IO Supply Voltage	$V_{IO} \leq V_{DD}$	1.8	3.3	5.25	V
I_{DD}	Supply Current on VDD pin	PWR_MODE = 1, no sensor connected		1.7	2.3	mA
I_{VIO}	IO Supply Current	Static current			14	μA
I_{DD_LP}	Standby Mode Supply Current on VDD pin	PWR_MODE = 0, no sensor connected		250		μA
t_{START}	Start-Up Time	From POR to ready-to-convert. Crystal not used for frequency counter		2		ms
LDC						
f_{SENSOR_MIN}	Minimum sensor frequency			5		kHz
f_{SENSOR_MAX}	Maximum sensor frequency			5		MHz
A_{SENSOR_MIN}	Minimum sensor amplitude			1		V_{PP}
A_{SENSOR_MAX}	Maximum sensor amplitude			4		V_{PP}
t_{REC}	Recovery time	Oscillation start-up time after R_P under-range condition		10		$1/f_{sensor}$
R_{P_MIN}	Minimum Sensor R_P Range			798		Ω
R_{P_MAX}	Maximum Sensor R_P Range			3.93		M Ω
R_{P_RES}	R_P Measurement Resolution			16		Bits
L Res	Inductance Measurement Resolution	RESPONSE_TIME = b111 (6144), $f_{EXT} = 8\text{ MHz}$, $f_{SENSOR} = 5\text{ kHz}$		24		Bits
t_{S_MIN}	Minimum Response Time	Minimum programmable settling time of digital filter		$192/f_{SE_NSOR}$		s
t_{S_MAX}	Maximum Response Time	Maximum programmable settling time of digital filter		$6144/f_{S_ENSOR}$		s
EXTERNAL CLOCK/CRYSTAL FOR FREQUENCY COUNTER						
Crystal	Frequency			8		MHz
	Startup time			30		ms
External Clock	Frequency				8	MHz
	Clock Input High Voltage				V_{IO}	V
DIGITAL I/O CHARACTERISTICS						
V_{IH}	Logic 1 Input Voltage		$0.8 \times V_{IO}$			V
V_{IL}	Logic 0 Input Voltage				$0.2 \times V_{IO}$	V
V_{OH}	Logic 1 Output Voltage	$I_{SOURCE} = 400\ \mu\text{A}$		$V_{IO} - 0.3$		V
V_{OL}	Logic 0 Output Voltage	$I_{SINK} = 400\ \mu\text{A}$			0.3	V
I_{IOHL}	Digital IO Leakage Current		-500		500	nA

- (1) *Electrical Characteristics* table values apply only for factory testing conditions at the temperature indicated. Factory testing conditions result in very limited self-heating of the device such that $T_J = T_A$. No specification of parametric performance is indicated in the electrical tables under conditions of internal self-heating where $T_J > T_A$. *Absolute Maximum Ratings* indicate junction temperature limits beyond which the device may be permanently degraded, either mechanically or electrically.
- (2) The maximum power dissipation is a function of $T_{J(MAX)}$, $R_{\theta JA}$, and the ambient temperature, T_A . The maximum allowable power dissipation at any ambient temperature is $P_{DMAX} = (T_{J(MAX)} - T_A) / R_{\theta JA}$. All numbers apply for packages soldered directly onto a PC board. The package thermal impedance is calculated in accordance with JESD 51-7.
- (3) Limits are specified by testing, design, or statistical analysis at 25°C . Limits over the operating temperature range are specified through correlations using statistical quality control (SQC) method.
- (4) Typical values represent the most likely parametric norm as determined at the time of characterization. Actual typical values may vary over time and will also depend on the application and configuration. The typical values are not tested and are not specified on shipped production material.

6.6 Timing Requirements

Unless otherwise noted, all limits specified at TA = 25°C, VDD=5.0, VIO=3.3, 10 pF capacitive load in parallel with a 10 kΩ load on SDO. Specified by design; not production tested.

			MIN	NOM	MAX	UNIT
f_{SCLK}	Serial Clock Frequency				4	MHz
t_{PH}	SCLK Pulse Width High	$f_{SCLK} = 4 \text{ MHz}$	$0.4 / f_{SCLK}$			s
t_{PL}	SCLK Pulse Width Low	$f_{SCLK} = 4 \text{ MHz}$	$0.4 / f_{SCLK}$			s
t_{SU}	SDI Setup Time		10			ns
t_H	SDI Hold Time		10			ns
t_{ODZ}	SDO Driven-to-Tristate Time	Measured at 10% / 90% point			20	ns
t_{OZD}	SDO Tristate-to-Driven Time	Measured at 10% / 90% point			20	ns
t_{OD}	SDO Output Delay Time				20	ns
t_{CSS}	CSB Setup Time		20			ns
t_{CSH}	CSB Hold Time		20			ns
t_{IAG}	Inter-Access Gap		100			ns
t_{DRDYB}	Data ready pulse width	Data ready pulse at every 1 / ODR if no data is read		$1 / f_{sensor}$		s

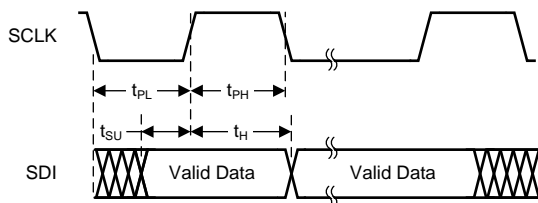


Figure 1. Write Timing Diagram

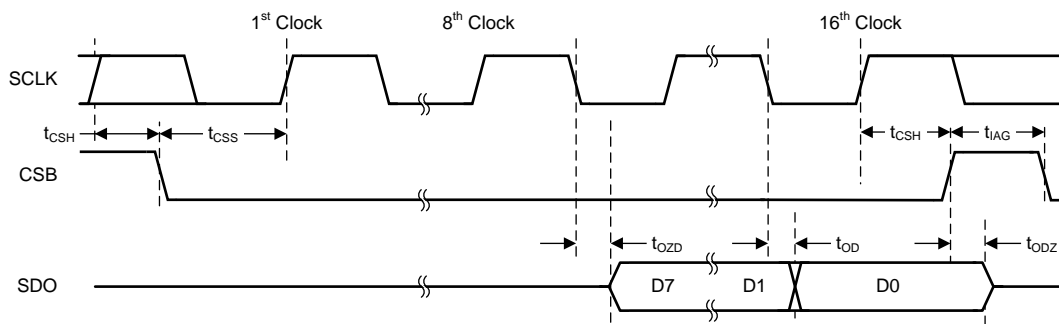
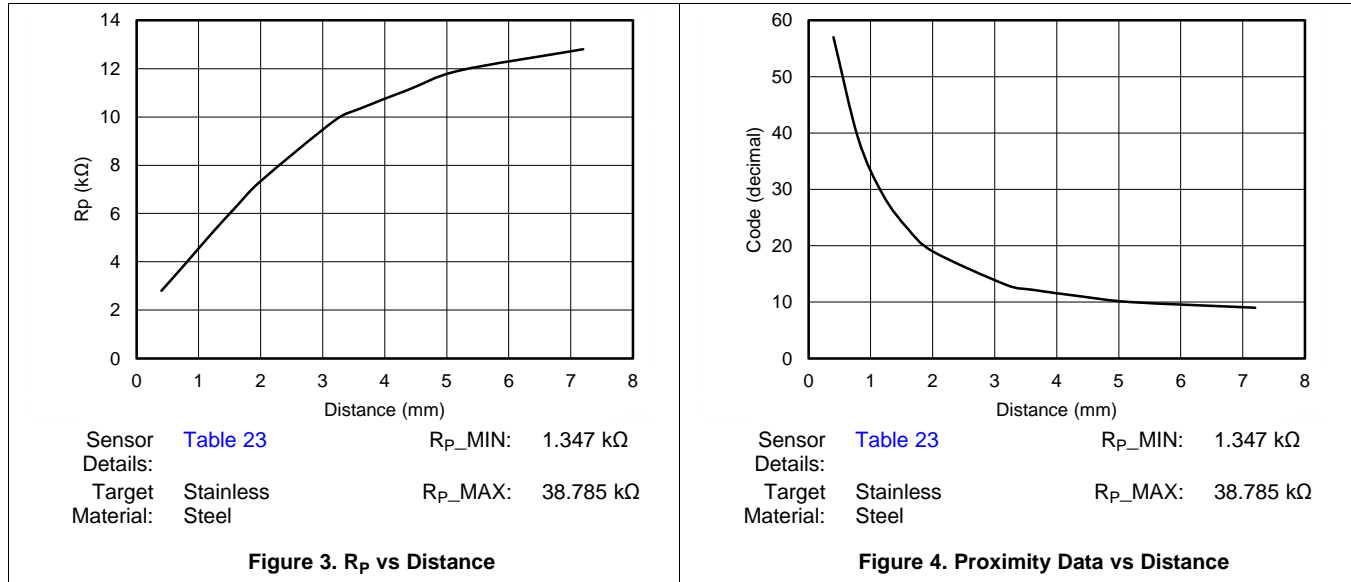


Figure 2. Read Timing Diagram

6.7 Typical Characteristics



7 Detailed Description

7.1 Overview

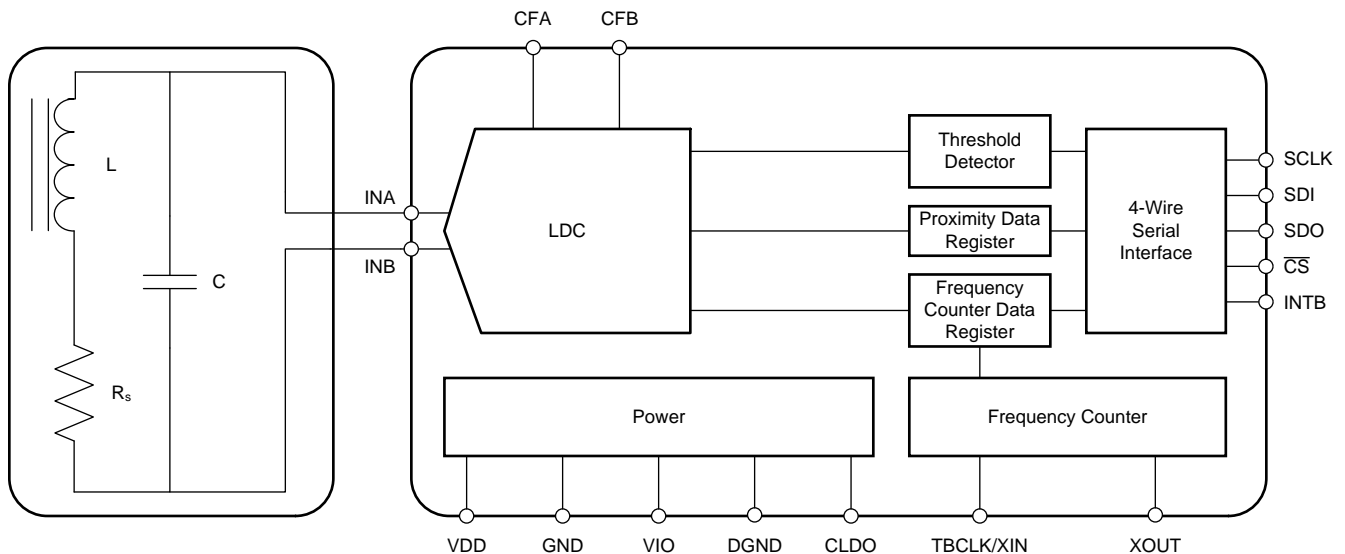
The LDC1000 is an Inductance-to-Digital Converter that measures the parallel impedance of an LC resonator. It accomplishes this task by regulating the oscillation amplitude in a closed-loop configuration to a constant level, while monitoring the energy dissipated by the resonator. By monitoring the amount of power injected into the resonator, the LDC1000 can determine the value of R_p ; it returns this as a digital value which is inversely proportional to R_p .

The threshold detector block provides a comparator with hysteresis. With the threshold registers programmed and comparator enabled, proximity data register is compared with threshold registers and INTB pin indicates the output.

The device has a simple 4-wire SPI interface. The INTB pin provides multiple functions which are programmable with SPI.

The device has separate supplies for Analog and I/O, with analog operating at 5 V and I/O at 1.8-5 V. The integrated LDO needs a 56 nF capacitor connected from CLDO pin to GND.

7.2 Functional Block Diagram



7.3 Feature Description

7.3.1 Inductive Sensing

An AC current flowing through an inductor will generate an AC magnetic field. If a conductive material, such as a metal target, is brought into the vicinity of the coil, this magnetic field will induce circulating currents (eddy currents) on the surface of the target. These eddy currents are a function of the distance, size, and composition of the target. The eddy currents then generate their own magnetic field, which opposes the original field generated by the coil. This mechanism is best compared to a transformer, where the coil is the primary core and the eddy current is the secondary core. The inductive coupling between both cores depends on distance and shape. Hence the resistance and inductance of the secondary core (eddy current), shows up as a distant dependent resistive and inductive component on the primary side (coil). The figures (Figure 5 to Figure 8) below show a simplified circuit model.

Feature Description (continued)

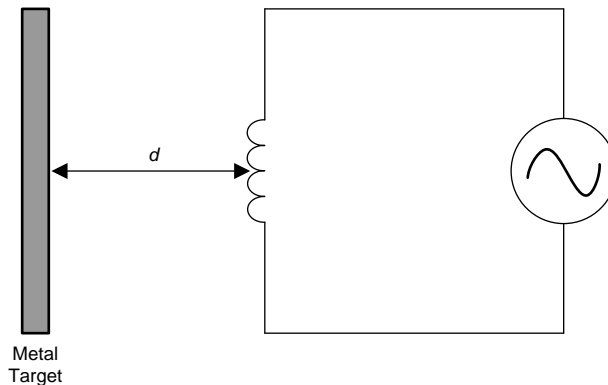


Figure 5. Inductor With a Metal Target

Eddy currents generated on the surface of the target can be modeled as a transformer as shown in Figure 6. The coupling between the primary and secondary coils is a function of the distance and the conductor's characteristics. In Figure 6, the inductance L_S is the coil's inductance, and R_S is the coil's parasitic series resistance. The inductance $L(d)$, which is a function of sensor to target distance, d , is the coupled inductance of the metal target. Likewise, $R(d)$ is the parasitic resistance of the eddy currents and is also a function of distance.

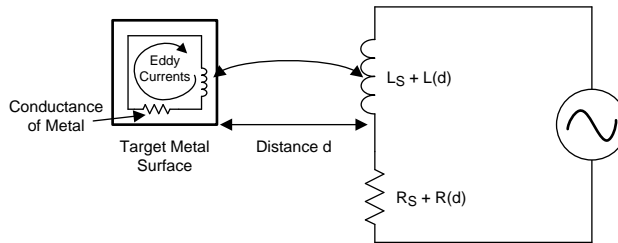


Figure 6. Metal Target Modeled as L and R With Circulating Eddy Currents

Generating an alternating magnetic field with just an inductor will consume a large amount of power. This power consumption can be reduced by adding a parallel capacitor, turning it into a resonator as shown in Figure 7. In this manner the power consumption is reduced to the eddy and inductor losses $R_S + R(d)$ only.

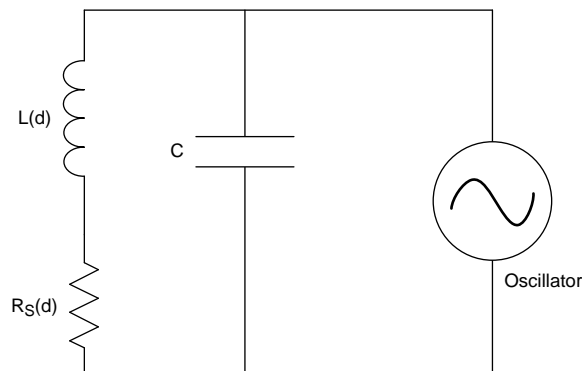


Figure 7. LC Tank Connected to Oscillator

Feature Description (continued)

The LDC1000 doesn't measure the series resistance directly; instead it measures the equivalent parallel resonance impedance R_P (see Figure 8). This representation is equivalent to the one shown in Figure 8, where the parallel resonance impedance $R_P(d)$ is given by:

$$R_P(d) = \frac{L_S + L(d)}{[R_S + R(d)] \times C} \quad (1)$$

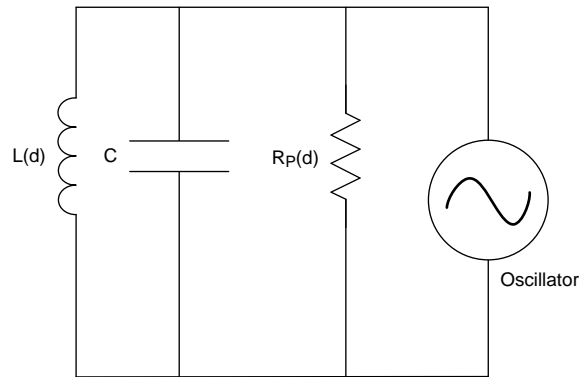


Figure 8. Equivalent Resistance of R_S in Parallel With LC Tank

Figure 9 below shows the variation in R_P as a function of distance for a 14 mm diameter PCB coil (refer to Sensor Details: Table 23). The target in this example is a section of a 2 mm thick stainless steel disk.

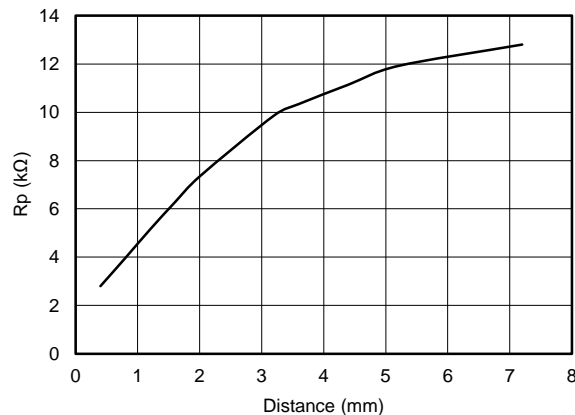


Figure 9. Typical R_P vs Distance With 14-mm PCB Coil

7.3.2 Measuring R_P With LDC1000

The LDC1000 supports a wide range of LC combinations, with oscillation frequencies ranging from 5 kHz to 5 MHz and R_P ranging from 798 Ω to 3.93 M Ω . This range of R_P can be viewed as the maximum input range of an ADC. As illustrated in Figure 9, the range of R_P is typically much smaller than the maximum input range supported by the LDC1000. To get better resolution in the desired sensing range, the LDC1000 offers a programmable input range through the R_{P_MIN} and R_{P_MAX} registers. Refer to [Calculation of \$R_{P_MIN}\$ and \$R_{P_MAX}\$](#) for information on setting these registers.

When the resonance impedance R_P of the sensor drops below the programmed R_{P_MIN} , the R_P output of the LDC will clip at its full scale output. This situation could, for example, happen when a target comes too close to the coil.

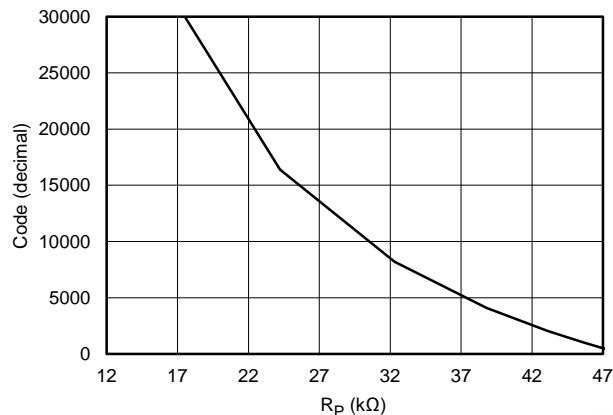
Feature Description (continued)


Figure 10. Transfer Characteristics of LDC1000 With R_P_MIN = 16.160 kΩ and R_P_MAX = 48.481 kΩ

The resonance impedance can be calculated from the digital output code as follows:

$$R_P = \frac{R_{P_MAX} \times R_{P_MIN}}{[R_{P_MIN} \times (1 - Y)] + (R_{P_MAX} \times Y)}$$

Where:

- R_P = Measured sensor parallel resistance in kΩ.
- R_P_MIN is the resistance (in kΩ) selected in register 0x02
- R_P_MAX is the resistance (in kΩ) selected in register 0x01
- Y = Proximity Data ÷ 2¹⁵
- Proximity data is the LDC R_P output = (Contents of Register 0x22) × 2⁸ + (Contents of register 0x21). (2)

Example: If Proximity data (address 0x22:0x21) is 5000, R_P_MIN is 2.394 kΩ, and R_P_MAX is 38.785 kΩ, the resonance impedance is given by:

$$Y = 5000/2^{15} = 0.1526$$

$$R_P = (38785 \times 2394) \div (2394 \times (1 - 0.1526) + 38785 \times 0.1526) = (92851290 \div (2028.675 + 5918.591))$$

$$R_P = 11.683 \text{ k}\Omega$$

7.3.3 Measuring Inductance With LDC1000

LDC1000 measures the sensor's frequency of oscillation using a frequency counter. The frequency counter timing is set by an external clock applied on TBCLK pin. The sensor frequency can be calculated from the frequency counter register value (see registers 0x23 through 0x25) as follows:

$$f_{\text{SENSOR}} = \frac{f_{\text{EXT}} \times \text{RESPONSE_TIME}}{3 \times \text{FCOUNT}}$$

Where:

- f_{SENSOR} is the measured sensor frequency
- f_{EXT} is the frequency of the external clock.
- FCOUNT is the value obtained from the Frequency Counter Data registers (address 0x23,0x24,0x25).
- RESPONSE_TIME is the programmed response time (set in the LDC configuration register, address 0x04). (3)

Feature Description (continued)

The sensor inductance can be determined by:

$$L = \frac{1}{C \times (2\pi \times f_{\text{SENSOR}})^2}$$

where

- C is the parallel sensor capacitance
- f_{SENSOR} is the sensor frequency calculated in [Equation 3](#) (4)

Example: If $f_{\text{EXT}} = 6\text{MHz}$, $\text{RESPONSE_TIME} = 6144$, $C = 100\text{ pF}$ and measured $F_{\text{count}} = 3000$ (dec) (address 0x23 through 0x25)

$$f_{\text{sensor}} = (1/3) \times (6000000/3000) \times (6144) = 4.096\text{ MHz}$$

Now using,
$$L = \frac{1}{C \times (2\pi \times f_{\text{SENSOR}})^2}$$

The sensor inductance $L = 15.098\text{ }\mu\text{H}$.

The accuracy of a measurement largely depends upon the frequency of the external time-base clock (TBCLK). A higher frequency will provide better measurement accuracy. The maximum supported frequency is 8 MHz.

7.4 Device Functional Modes

7.4.1 Power Modes

The LDC1000 has two power modes:

- **Active Mode:** In this mode the LDC1000 is performing conversions. Changing any device configuration settings except `PWR_MODE` or `INTB_MODE` when the LDC1000 is in active mode is not recommended. This mode is selected when `PWR_MODE = 1`.
- **Standby Mode:** This is the default mode on device power-up. In the mode the LDC1000 power consumption is lower than when in Active mode, however the LDC1000 is not performing conversions. The device's SPI is enabled and the device should be configured in this mode. This mode is selected when `PWR_MODE = 0`.

7.4.2 INTB Pin Modes

The INTB pin is a configurable output pin which can be used to drive an interrupt on an MCU. This mode is selected by setting `INTB_MODE`. The LDC1000 provides three different modes on INTB pin:

1. Comparator Mode
2. Wake-Up Mode
3. DRDY Mode

LDC1000 has a built-in High and Low trigger threshold which registers as a comparator with programmable hysteresis or a special mode which can be used to wake up an MCU. These modes are explained in detail below.

7.4.2.1 Comparator Mode

In the Comparator mode, the INTB pin is asserted or deasserted when the proximity register value increases above Threshold High or decreases below Threshold Low registers respectively. In this mode, the LDC1000 essentially behaves as a proximity switch with programmable hysteresis.

Device Functional Modes (continued)

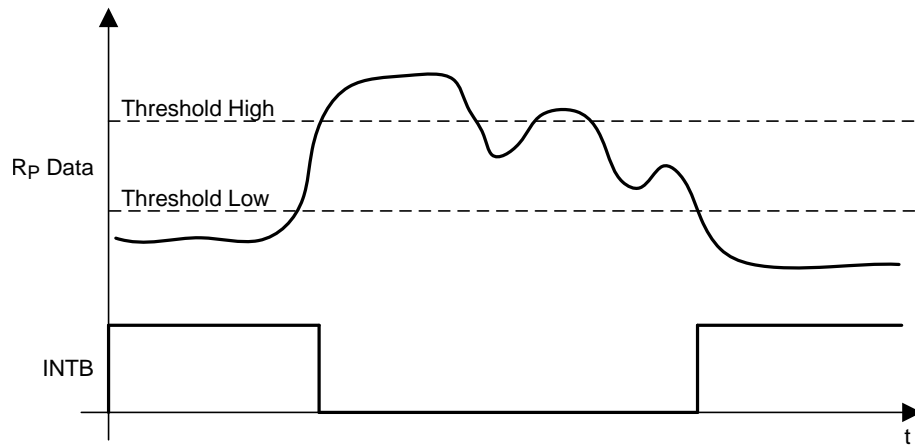


Figure 11. Behavior of INTB Pin in Comparator Mode

Device Functional Modes (continued)

7.4.2.2 Wake-Up Mode

In Wake-up mode, the INTB pin is asserted when proximity register value increases above Threshold High and deasserted when wake-up mode is disabled in INTB pin mode register.

This mode can be used to wake up an MCU which is asleep, to conserve power.

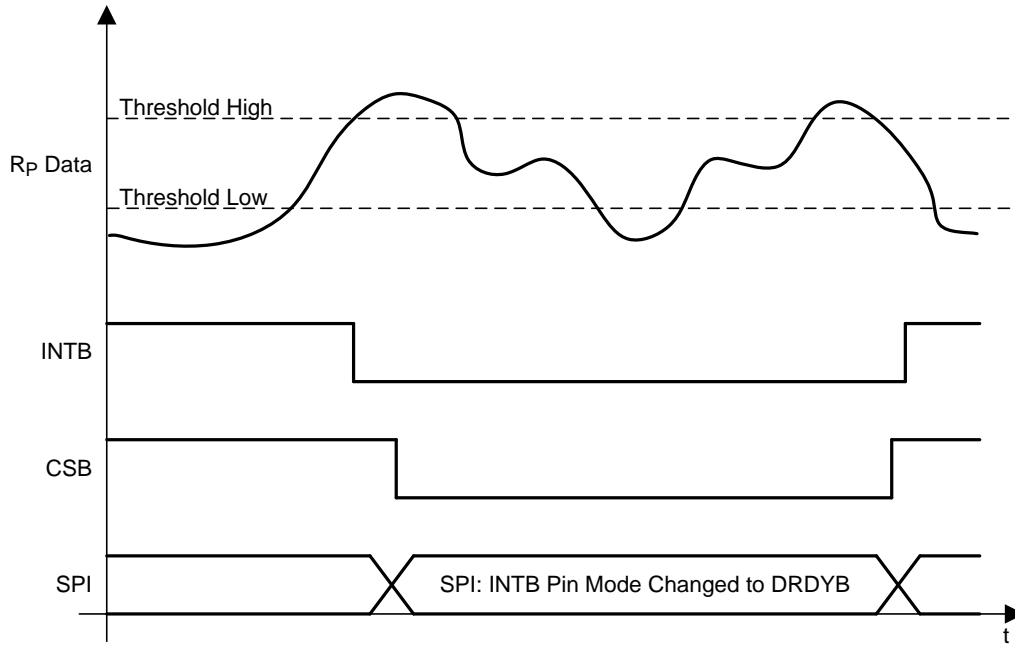


Figure 12. Behavior of INTB Pin in Wake-Up Mode

7.4.2.3 DRDY Mode

In DRDY mode, the INTB pin is asserted every time the conversion data is available and deasserted once the read command on register 0x21 is registered internally; if the read is in progress, the pin is pulsed instead. It is recommended to configure this setting after PWR_MODE has been set to 1 (the LDC1000 is in Active Mode).

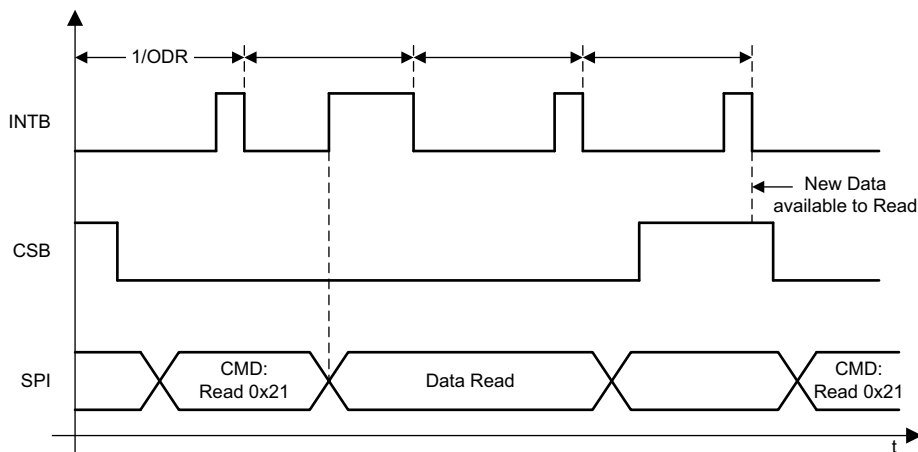


Figure 13. Behavior of INTB pin in DRDY Mode With SPI Extending Beyond Subsequent Conversions

Device Functional Modes (continued)

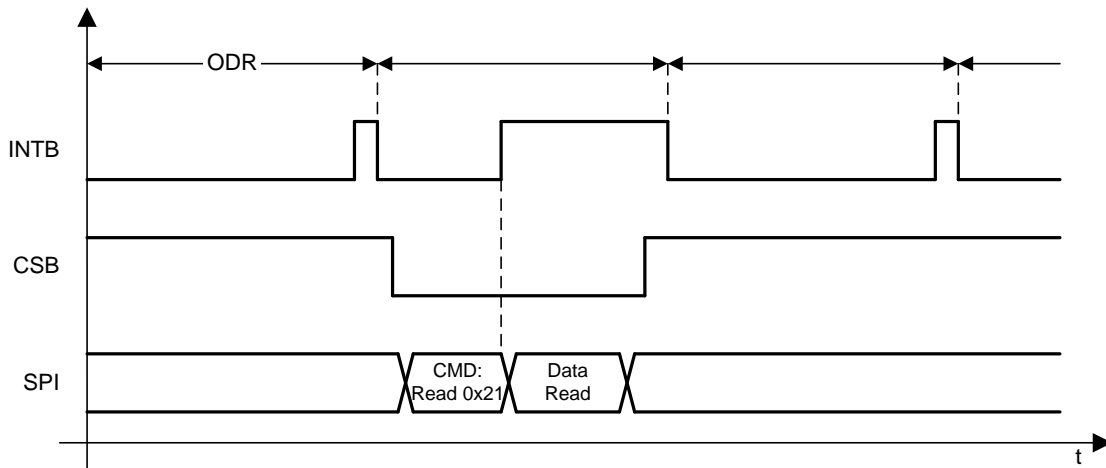


Figure 14. Behavior of INTB Pin in DRDY Mode With SPI Reading the Data Within Subsequent Conversion

7.5 Programming

The LDC1000 uses a 4-wire SPI to access control and data registers. The LDC1000 is a SPI slave device and does not initiate any transactions.

7.5.1 SPI Description

A typical serial interface transaction begins with an 8-bit instruction, which is comprised of a read/write bit (MSB, R=1) and a 7-bit address of the register, followed by a Data field which is typically 8 bits. However, the data field can be extended to a multiple of 8 bits by providing sufficient SPI clocks. Refer to the [Extended SPI Transactions](#) section below.

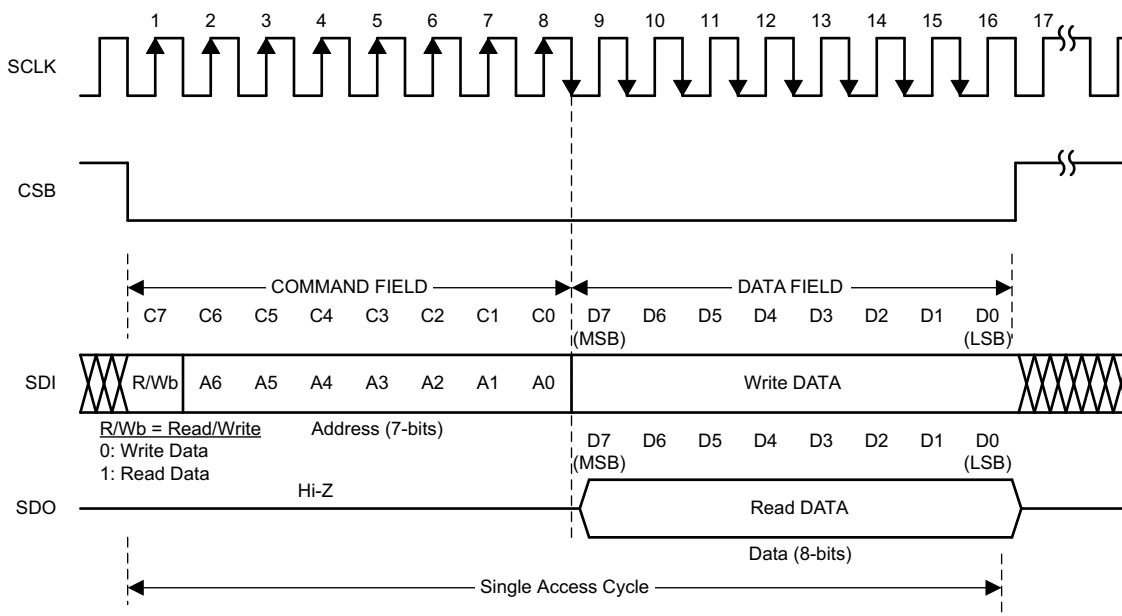


Figure 15. Serial Interface Protocol

Programming (continued)

Each assertion of chip select bar (CSB) starts a new register access. The R/Wb bit in the command field configures the direction of the access; a value of 0 indicates a write operation and a value of 1 indicates a read operation. All output data is driven on the falling edge of the serial clock (SCLK), and all input data is sampled on the rising edge of the serial clock (SCLK). Data is written into the register on the rising edge of the 16th clock. It is required to deassert CSB after the 16th clock; if CSB is deasserted before the 16th clock, no data write will occur.

The LDC1000 utilizes a 4-wire SPI interface to access control and data registers. The LDC1000 is an SPI slave device and does not initiate any transactions.

7.5.1.1 Extended SPI Transactions

A SPI transaction may be extended to multiple registers by keeping the CSB asserted for more than 16 pulses on SCLK. In this mode, the register addresses increment automatically. CSB must remain asserted during $8 \cdot (1+N)$ clock cycles of SCLK, where N is the amount of bytes to write or read during the transaction.

During an extended read access, SDO outputs the register contents every 8 clock cycles after the initial 8 clocks of the command field. During an extended write access, the data is written to the registers every 8 clock cycles after the initial 8 clocks of the command field.

Extended transactions can be used to read 16 bits of Proximity data and 24 bits of frequency data all in one SPI transaction by initiating a read from register 0x21.

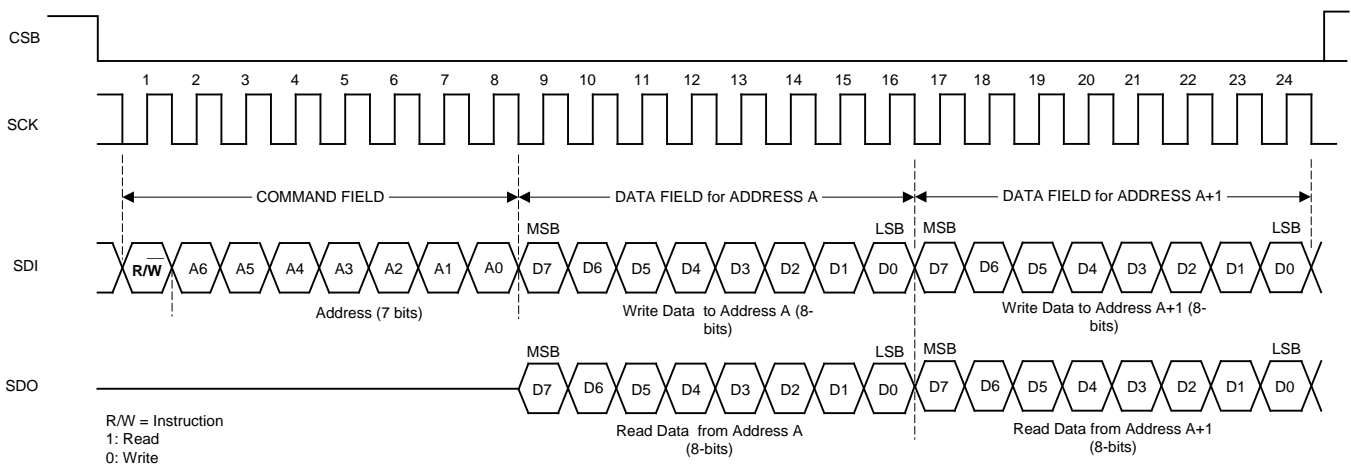


Figure 16. Extended SPI Transaction

7.6 Register Maps

Table 1. Register Description⁽¹⁾⁽²⁾⁽³⁾

Register Name	Address	Direction	Default	Bit 7	Bit 6	Bit 5	Bit 4	Bit 3	Bit 2	Bit 1	Bit 0	
Device ID	0x00	RO	0x84	Device ID								
R _P _MAX	0x01	R/W	0x0E	R _P Maximum								
R _P _MIN	0x02	R/W	0x14	R _P Minimum								
Watchdog Timer Frequency	0x03	R/W	0x45	Min Sensor Frequency								
LDC Configuration	0x04	R/W	0x1B	Reserved (000)			Amplitude		RESPONSE_TIME			
Clock Configuration	0x05	R/W	0x01	Reserved (00'0000)						CLK_SE L	CLK_PD	
Comparator Threshold High LSB	0x06	R/W	0xFF	Threshold High LSB								
Comparator Threshold High MSB	0x07	R/W	0xFF	Threshold High MSB								
Comparator Threshold Low LSB	0x08	R/W	0x00	Threshold Low LSB								
Comparator Threshold Low MSB	0x09	R/W	0x00	Threshold Low MSB								
INTB pin Configuration	0x0A	R/W	0x00	Reserved (0'0000)						INTB_MODE		
Power Configuration	0x0B	R/W	0x00	Reserved (000'0000)								PWR_M ODE
Status	0x20	RO		OSC Dead	DRDY	Wake-up	Compara tor	Don't Care				
Proximity	0x21	RO		Proximity Data[7:0] Data LSB								
Proximity	0x22	RO		Proximity Data [15:8] Data MSB								
Frequency Counter Data LSB	0x23	RO		FCOUNT LSB								
Frequency Counter Data Mid-Byte	0x24	RO		FCOUNT Mid Byte								
Frequency Counter Data MSB	0x25	RO		FCOUNT MSB								

- (1) Values of register fields which are unused should be set to default values only.
 (2) Registers 0x01 through 0x05 are Read Only when the part is awake (PWR_MODE bit is SET)
 (3) R/W: Read/Write. RO: Read Only. WO: Write Only.

Table 2. Revision ID

Address = 0x00, Default=0x80, Direction=RO		
Bit Field	Field Name	Description
7:0	Revision ID	Revision ID of Silicon.

Table 3. R_P_MAX

Address = 0x01, Default=0x0E, Direction=R/W		
Bit Field	Field Name	Description
7:0	R _P Maximum	Maximum Sensor R _P that LDC1000 needs to measure. Configures the input dynamic range of LDC1000. See Table 4 for register settings.

Table 4. Register Settings for R_P_MAX

Register setting	R _P Maximum Sensor Drive (kΩ)
0x00	3926.991
0x01	3141.593
0x02	2243.995
0x03	1745.329
0x04	1308.997
0x05	981.748
0x06	747.998
0x07	581.776
0x08	436.332
0x09	349.066
0x0A	249.333
0x0B	193.926
0x0C	145.444
0x0D	109.083
0x0E	83.111
0x0F	64.642
0x10	48.481
0x11	38.785
0x12	27.704
0x13	21.547
0x14	16.160
0x15	12.120
0x16	9.235
0x17	7.182
0x18	5.387
0x19	4.309
0x1A	3.078
0x1B	2.394
0x1C	1.796
0x1D	1.347
0x1E	1.026
0x1F	0.798

Table 5. R_P_MIN

Address = 0x02, Default=0x14, Direction=R/W		
Bit Field	Field Name	Description
7:0	R _P Minimum	Minimum Sensor R _P that LDC1000 needs to measure. Configures the input dynamic range of LDC1000. See Table 6 for register settings. ⁽¹⁾

(1) This register needs a mandatory write as it defaults to 0x14.

Table 6. Register Settings for R_p_MIN

Register setting	R _p Minimum Sensor Drive (kΩ)
0x20	3926.991
0x21	3141.593
0x22	2243.995
0x23	1745.329
0x24	1308.997
0x25	981.748
0x26	747.998
0x27	581.776
0x28	436.332
0x29	349.066
0x2A	249.333
0x2B	193.926
0x2C	145.444
0x2D	109.083
0x2E	83.111
0x2F	64.642
0x30	48.481
0x31	38.785
0x32	27.704
0x33	21.547
0x34	16.160
0x35	12.120
0x36	9.235
0x37	7.182
0x38	5.387
0x39	4.309
0x3A	3.078
0x3B	2.394
0x3C	1.796
0x3D	1.347
0x3E	1.026
0x3F	0.798

Table 7. Watchdog Timer Frequency

Address = 0x03, Default=0x45, Direction=R/W		
Bit Field	Field Name	Description
7:0	Min Sensor Frequency	<p>Sets the watchdog timer. The Watchdog timer should be set based on the lowest sensor frequency. If this field is set to too high a value, then the LDC1000 may incorrectly determine a sensor oscillation timeout.</p> $M = 68.94 \times \log_{10} \left(\frac{f_{\text{SENSOR}}}{2500} \right)$ <p>where:</p> <ul style="list-style-type: none"> f_{SENSOR} is the sensor frequency M is the register value to program for Min Sensor Frequency. (5) <p>Example: With a Sensor frequency is 1 MHz Min Sensor Frequency = $68.94 \times \log_{10}(1 \times 10^6 / 2500)$ = Round to nearest integer (179.38) = 179</p>

Table 8. LDC Configuration

Address = 0x04, Default=0x1B, Direction=R/W		
Bit Field	Field Name	Description
7:5	Reserved	Reserved to 000
4:3	Amplitude	<p>Sets the oscillation amplitude</p> <p>00:1V 01:2V 10:4V 11:Reserved</p>
2:0	RESPONSE_TIME	<p>000: Reserved 001: Reserved 010: 192 011: 384 100: 768 101: 1536 110: 3072 111: 6144</p>

Table 9. Clock Configuration

Address = 0x05, Default=0x01, Direction=R/W		
Bit Field	Field Name	Description
7:2	Reserved	Reserved to 00'0000.
1	CLK_SEL	<p>Select Clock input type for L measurements.</p> <p>0: Clock input on XIN pin 1: Crystal connected across XIN/XOUT pins.</p>
0	CLK_PD	<p>Crystal Power Down.</p> <p>0: Crystal drive enabled. 1: Crystal drive is disabled. Use this setting to reduce power consumption with a crystal input when device is in Standby mode. Use this setting for clock input.</p>

Table 10. Comparator Threshold High LSB

Address = 0x06, Default=0xFF, Direction=R/W		
Bit Field	Field Name	Description
7:0	Threshold High	Threshold High Register LSB. Combine with contents of register 0x07 to set upper threshold.

Table 11. Comparator Threshold High MSB

Address = 0x07, Default=0xFF, Direction=R/W		
Bit Field	Field Name	Description
7:0	Threshold High	Threshold High Register MSB.

Table 12. Comparator Threshold Low LSB

Address = 0x08, Default=0x00, Direction=R/W		
Bit Field	Field Name	Description
7:0	Threshold Low	Threshold Low Register LSB. Combine with contents of register 0x09 to set lower threshold.

Table 13. Comparator Threshold Low MSB

Address = 0x09, Default=0x00, Direction=R/W		
Bit Field	Field Name	Description
7:0	Threshold Low	Threshold Low Register MSB.

Table 14. INTB pin Configuration

Address = 0x0A, Default=0x00, Direction=R/W		
Bit Field	Field Name	Description
7:3	Reserved	Reserved to 00'000
2:0	INTB_MODE	000: All modes disabled. No signal output on INTB pin. 001: Wake-up Enabled on INTB pin 010: INTB pin indicates the status of Comparator output 100: DRDY Enabled on INTB pin All other combinations are Reserved

Table 15. Power Configuration

Address = 0x0B, Default=0x00, Direction=R/W		
Bit Field	Field Name	Description
7:1	Reserved	Reserved to 000'0000.
0	PWR_MODE	0: Standby mode: LDC1000 is in a lower power mode but not actively converting. It is recommended to configure the LDC1000 while in this mode. 1: Active Mode. Conversion is Enabled Refer to Power Modes for more details.

Table 16. Status

Address = 0x20, Default=NA, Direction=RO		
Bit Field	Field Name	Description
7	OSC Status	1:Indicates sensor oscillation timeout. This can be caused by a sensor with an R_p below R_{p_MIN} or setting Min Sensor Frequency too high. 0:Sensor oscillation timeout not detected.
6	Data Ready	1:No new data available 0:Data is ready to be read
5	Wake-up	1:Wake-up disabled 0:Wake-up triggered. Proximity data is more than Threshold High value.
4	Comparator	1:Proximity data is less than Threshold Low value 0:Proximity data is more than Threshold High value
3:0	Don't Care	

It is recommended to read register 0x21 immediately after any read of register 0x20.

Table 17. Proximity Data LSB

Address = 0x21, Default=NA, Direction=RO		
Bit Field	Field Name	Description
7:0	Proximity Data[7:0]	Least Significant Byte of Proximity Data

Conversion data is updated to the proximity register only when a read is initiated on 0x21 register. If the read is delayed between subsequent conversions, these registers are not updated until another read is initiated on 0x21.

Table 18. Proximity Data MSB

Address = 0x22, Default=NA, Direction=RO		
Bit Field	Field Name	Description
7:0	Proximity data [15:8]	Most Significant Byte of Proximity data

Table 19. Frequency Counter LSB

Address = 0x23, Default=NA, Direction=RO		
Bit Field	Field Name	Description
7:0	FCOUNT LSB (FCOUNT[7:0])	LSB of Frequency Counter. Sensor frequency can be calculated using the output data rate. Please refer to the Measuring Inductance With LDC1000 .

Table 20. Frequency Counter Mid-Byte

Address = 0x24, Default=NA, Direction=RO		
Bit Field	Field Name	Description
7:0	FCOUNT Mid byte (FCOUNT[15:8])	Middle Byte of Output data rate

Table 21. Frequency Counter MSB

Address = 0x25, Default=NA, Direction=RO		
Bit Field	Field Name	Description
7:0	FCOUNT MSB (FCOUNT[23:16])	MSB of Output data rate

8 Application and Implementation

NOTE

Information in the following applications sections is not part of the TI component specification, and TI does not warrant its accuracy or completeness. TI's customers are responsible for determining suitability of components for their purposes. Customers should validate and test their design implementation to confirm system functionality.

8.1 Application Information

8.1.1 Calculation of R_P_MIN and R_P_MAX

Different sensing applications may have a different range of the resonance impedance R_P to measure. The LDC1000 measurement range of R_P is controlled by setting 2 registers – R_P_MIN and R_P_MAX . For a given application, R_P must never be outside the range set by these register values, otherwise the measured value will be clipped. For optimal sensor resolution, the range of R_P_MIN to R_P_MAX should not be unnecessarily large. The following procedure is recommended to determine the R_P_MIN and R_P_MAX register values.

8.1.1.1 R_P_MAX

R_P_MAX sets the upper limit of the LDC1000 resonant impedance input range.

- Configure the sensor such that the eddy current losses are minimized. As an example, for a proximity sensing application, set the distance between the sensor and the target to the maximum sensing distance.
- Measure the sensor impedance R_P using an impedance analyzer.
- Multiply R_P by 2 and use the next higher value from [Table 7](#).

Note that setting R_P_MAX to a value not listed in [Table 7](#) can result in indeterminate behavior.

8.1.1.2 R_P_MIN

R_P_MIN sets the lower limit of the LDC1000 resonant impedance input range.

- Configure the sensor such that the eddy current losses are maximized. As an example, for a proximity sensing application, set the distance between the sensor and the metal target to the minimum sensing distance.
- Measure the sensor impedance R_P using an impedance analyzer.
- Divide the R_P value by 2 and then select the next lower R_P value from [Table 10](#).

Note that setting R_P_MIN to a value not listed on [Table 10](#) can result in indeterminate behavior. In addition, R_P_MIN powers on with a default value of 0x14 which must be changed to a value from [Table 10](#) prior to powering on the LDC.

8.1.2 Output Data Rate

The output data rate of (or the conversion time) LDC1000 depends on the sensor frequency, f_{sensor} and RESPONSE_TIME field in LDC Configuration register(Address:0x04). The maximum sample rate requires a RESPONSE_TIME setting of 192 and a sensor frequency of 5MHz.

$$SR = \frac{3 \times f_{\text{SENSOR}}}{\text{RESPONSE_TIME}} \quad (6)$$

8.1.3 Choosing Filter Capacitor (CFA and CFB Pins)

The filter capacitor is critical to the operation of the LDC1000. The capacitor should be low leakage, temperature stable, and it must not generate any piezoelectric noise (the dielectrics of many capacitors exhibit piezoelectric characteristics and any such noise is coupled directly through R_P into the converter). The optimal capacitance values range from 20 pF to 100 nF. The value of the capacitor is based on the time constant and resonating frequency of the sensor.

Application Information (continued)

If a ceramic capacitor is used, then a C0G (or NP0) grade dielectric is recommended; the voltage rating should be ≥ 10 V. The traces connecting CFA and CFB to the capacitor should be as short as possible to minimize any parasitics.

For optimal performance, the chosen filter capacitor, connected between pins CFA and CFB, needs to be as small as possible, but large enough such that the active filter does not saturate. The size of this capacitor depends on the time constant of the sense coil, which is given by L/R_S , (L =inductance, R_S =series resistance of the inductor at oscillation frequency). The larger this time constant, the larger filter capacitor is required. Hence, this time constant reaches its maximum when there is no target present in front of the sensor.

The following procedure can be used to find the optimal filter capacitance:

1. Start with a large filter capacitor. For a ferrite core coil, 10 nF is usually large enough. For an air coil or PCB coil, 100 pF is usually large enough.
2. Power on the LDC1000 and set the desired register values. Minimize the eddy currents losses, by minimizing the amount of conductive target covering the sensor. For an axial sensing application, the target should be at the farthest distance from coil. For a lateral or angular position sensing application, the target coverage of the coil should be minimized.
3. Observe the signal on the CFB pin using a scope. Because this node is very sensitive to capacitive loading, it is recommended to use an active probe. As an alternative, a passive probe with a 1 k Ω series resistance between the tip and the CFB pin can be used. The time scale of the scope should be set so that 10-100 cycles of the sensor oscillation frequency are visible. For example, if the sensor frequency is 1 MHz, the timescale per division of the oscilloscope should be set to 0.1ms.
4. Vary the values of the filter capacitor until that the signal observed on the CFB pin has an amplitude of approximate 1 V_{PP}. This signal scales linearly with the reciprocal of the filter capacitance. For example, if a 100 pF filter capacitor is applied and the signal observed on the CFB pin has a peak-to-peak value of 200 mV, the desired 1 V_{PP} value is obtained using a $200 \text{ mV} / 1 \text{ V} * 100 \text{ pF} = 20 \text{ pF}$ filter capacitor.

8.2 Typical Application

8.2.1 Axial Distance Sensing Using a PCB Sensor With LDC1000

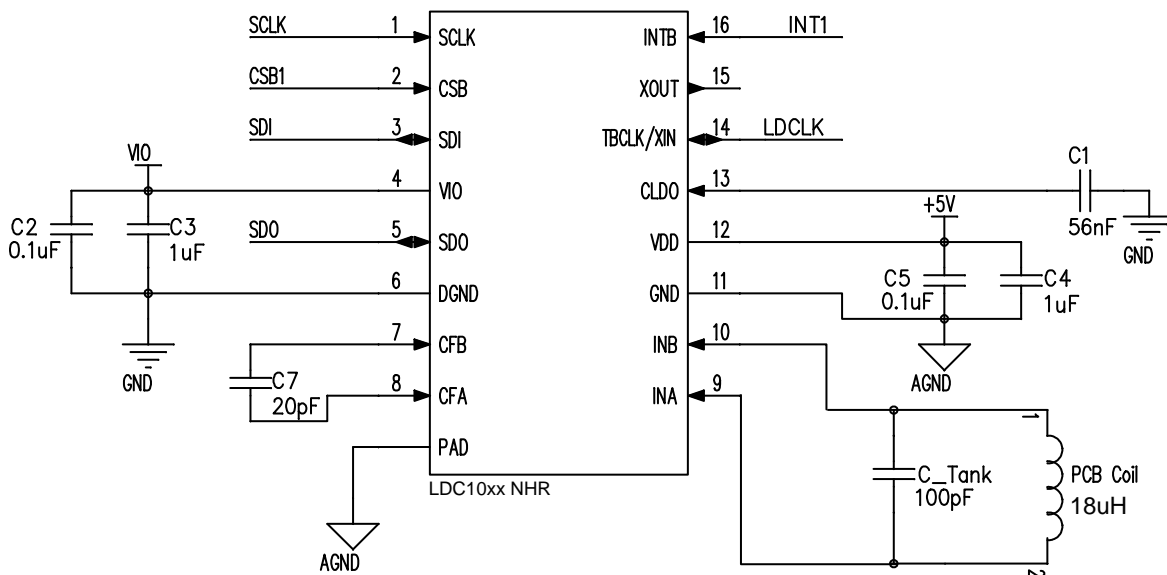


Figure 17. Typical Application Schematic, LDC1000

Typical Application (continued)

8.2.1.1 Design Requirements

For this design example, use the following as the input parameters.

Table 22. Design Parameters

DESIGN PARAMETER	EXAMPLE VALUE
Minimum sensing distance	1 mm
Maximum sensing distance	7 mm
Sample rate	28 KSPS
Number of PCB layers for sensor	2 layers with 62 mil (1.8mm) PCB thickness
Sensor Diameter	551 mil (14 mm)

8.2.1.2 Detailed Design Procedure

8.2.1.2.1 Sensor and Target

In this example, consider a PCB sensor with the below characteristics:

Table 23. Sensor Characteristics

PARAMETER	VALUE
Thickness of PCB copper	1 Oz-Cu (35µm)
Coil shape	Circular
Number of turns	23
Trace thickness	4 mil (0.102mm)
Trace spacing	4 mil (0.102mm)
PCB core material	FR4
R _p @ 1 mm target-sensor distance	5 kΩ
R _p @ 7 mm target-sensor distance	12.5 kΩ
Nominal sensor Inductance	18 µH

The target is a stainless steel disk of 15mm diameter and has a thickness of 1mm.

8.2.1.2.2 Calculating Sensor Capacitor

Sensor frequency depends on various factors in the application. For this example, one of the design parameters is a sample rate of 28 KSPS, which requires the sensor frequency as calculated below:

$$SR = \frac{3 \times f_{\text{SENSOR}}}{\text{RESPONSE_TIME}} \quad (7)$$

With an LDC1000 RESPONSE_TIME setting of 384 and output data rate specification of 28 KSPS, the sensor frequency would have to be 3.6 MHz.

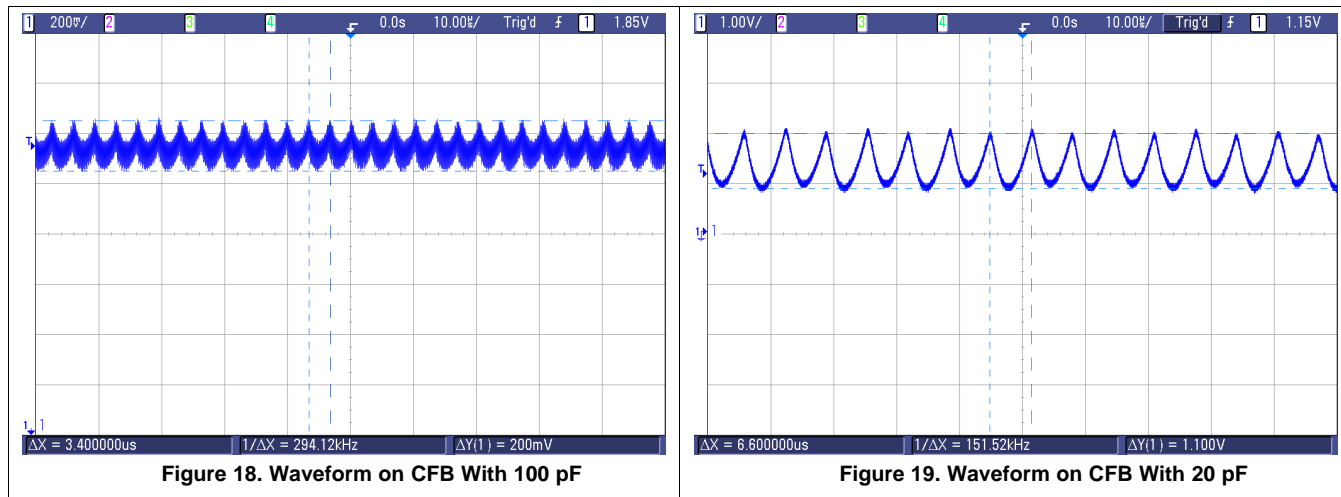
Now, using the below formula, the sensor capacitor is calculated to be 108 pF with the sensor inductance of 18 µH. A 100 pF sensor capacitor will slightly increase the sensor frequency to 3.75 MHz, and provide a sample rate of 29.3 KSPS.

$$L = \frac{1}{C \times (2\pi \times f_{\text{SENSOR}})^2} \quad (8)$$

As the target interacts with the sensor inductance, the apparent inductance will decrease. When the target is at the 1mm minimum distance for this application, the maximum interaction will occur, and the sensor frequency will increase to 3.95 MHz.

8.2.1.2.3 Choosing Filter Capacitor

Using the steps given in [Choosing Filter Capacitor \(CFA and CFB Pins\)](#), the filter capacitor for the example sensor is 20 pF. The waveform below shows the pattern on CFB pin with 100 pF and 20 pF filter capacitor. Notice that the timescale of scope traces is sufficient to view the waveform over many cycles of the sensor oscillation.



8.2.1.2.4 Setting R_{P_MIN} and R_{P_MAX}

Calculating value for R_{P_MAX} Register : R_P at 8 mm is 12.5 kΩ, 12500×2 = 25000. In [Table 7](#), then 27.704 kΩ is the nearest value larger than 25 kΩ; this corresponds to R_{P_MAX} setting of 0x12.

Calculating value for R_{P_MIN} Register : R_P at 1mm is 5 kΩ, 5000/2 = 2500. In [Table 6](#), 2.394 kΩ is the nearest value lower than 2.5 kΩ; this corresponds to R_{P_MIN} setting of 0x3B.

8.2.1.2.5 Calculating Minimum Sensor Frequency

Using

$$M = 68.94 \times \log_{10} \left(\frac{f_{\text{SENSOR}}}{2500} \right) \quad (9)$$

M is 218.96, which rounds to 219 decimal. This value should to be written into Watchdog Timer Register (address 0x03).

The LDC1000 includes a watchdog which monitors the sensor oscillation and flags an error in the STATUS register if no transitions occur on the sensor in a given time window. The time window is controlled by the Min Frequency setting. If the Min Sensor Frequency is programmed for too high a frequency, the watchdog will erroneously indicate that the sensor has stopped oscillating. If the Min Sensor Frequency is set too low, then the LDC1000 will take a longer time to detect if the sensor oscillation has stopped.

8.2.1.3 Application Curve

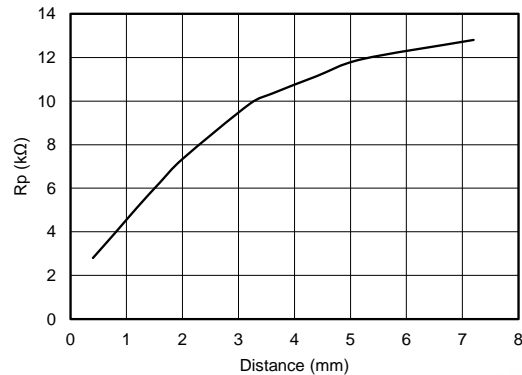


Figure 20. R_p vs Distance

9 Power Supply Recommendations

The LDC1000 is designed to operate from an analog supply range of 4.75 V to 5.25 V and digital I/O supply range of 1.8 V to 5.25 V. The analog supply voltage should be greater than or equal to the digital supply voltage for proper operation of the device. The supply voltage should be well regulated. If the supply is located more than a few centimeters from the LDC1000, additional bulk capacitance may be required in addition to the ceramic bypass capacitors. A capacitor with a value of 10 μ F is usually sufficient.

10 Layout

10.1 Layout Guidelines

- The VDD and VIO pin should be bypassed to ground with a low ESR ceramic bypass capacitor. The typical recommended bypass capacitance is 0.1 μ F ceramic with a X5R or X7R dielectric. Some applications may require additional supply bypassing for optimal LDC1000 operation; for these applications the smallest-valued capacitor should be placed closest to the corresponding supply pin.
- The optimum placement is closest to the VDD/VIO and GND/DGND pins of the device. Take care to minimize the loop area formed by the bypass capacitor connection, the VDD/VIO pin, and the GND/DGND pin of the IC. See [Figure 21](#) for a PCB layout example.
- The CLDO pin should be bypassed to digital ground (DGND) with a 56 nF ceramic bypass capacitor.
- The filter capacitor selected for the application using the procedure described in section [Choosing Filter Capacitor \(CFA and CFB Pins\)](#) is connected between CFA and CFB pins. Place the filter capacitor close to the CFA and CFB pins. Do not use any ground or power plane below the capacitor and the trace connecting the capacitor and the CFA /CFB pins.
- Use of separate ground planes for GND and DGND is recommended with a star connection. See [Figure 21](#) for a PCB layout example.
- The sensor capacitor should be a C0G capacitor placed as close as possible to the sensor coil. Refer to [LDC Sensor Design App Note](#) for more details.

10.2 Layout Example

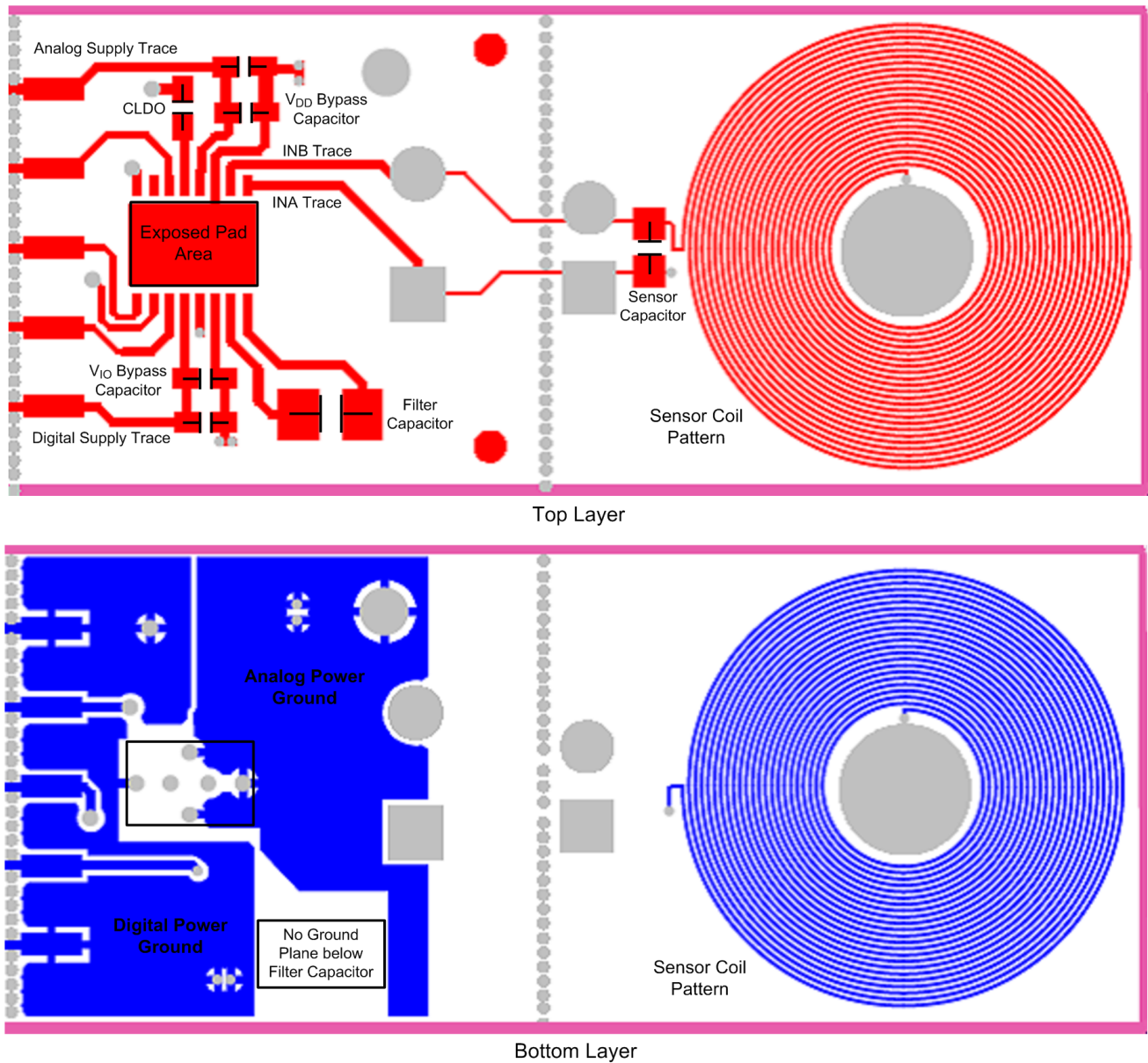


Figure 21. LDC1000 Board Layout

11 器件和文档支持

11.1 文档支持（如果适用）

11.1.1 相关文档

应用报告《IC 封装热指标》，[SPRA953](#)

《LDC 传感设计应用笔记》，[SNOA930](#)

11.2 社区资源

The following links connect to TI community resources. Linked contents are provided "AS IS" by the respective contributors. They do not constitute TI specifications and do not necessarily reflect TI's views; see TI's [Terms of Use](#).

TI E2E™ Online Community *TI's Engineer-to-Engineer (E2E) Community*. Created to foster collaboration among engineers. At e2e.ti.com, you can ask questions, share knowledge, explore ideas and help solve problems with fellow engineers.

Design Support *TI's Design Support* Quickly find helpful E2E forums along with design support tools and contact information for technical support.

11.3 商标

E2E is a trademark of Texas Instruments.

All other trademarks are the property of their respective owners.

11.4 静电放电警告



这些装置包含有限的内置 ESD 保护。存储或装卸时，应将导线一起截短或将装置放置于导电泡棉中，以防止 MOS 门极遭受静电损伤。

11.5 Glossary

[SLYZ022](#) — *TI Glossary*.

This glossary lists and explains terms, acronyms, and definitions.

12 机械、封装和可订购信息

以下页中包括机械、封装和可订购信息。 这些信息是针对指定器件可提供的最新数据。 这些数据会在无通知且不对本文档进行修订的情况下发生改变。 要获得这份数据表的浏览器版本，请查阅左侧的导航栏。

重要声明

德州仪器(TI)及其下属子公司有权根据 JESD46 最新标准,对所提供的产品和服务进行更正、修改、增强、改进或其它更改,并有权根据 JESD48 最新标准中止提供任何产品和服务。客户在下订单前应获取最新的相关信息,并验证这些信息是否完整且是最新的。所有产品的销售都遵循在订单确认时所提供的TI 销售条款与条件。

TI 保证其所销售的组件的性能符合产品销售时 TI 半导体产品销售条件与条款的适用规范。仅在 TI 保证的范围内,且 TI 认为有必要时才会使用测试或其它质量控制技术。除非适用法律做出了硬性规定,否则没有必要对每种组件的所有参数进行测试。

TI 对应用帮助或客户产品设计不承担任何义务。客户应对其使用 TI 组件的产品和应用自行负责。为尽量减小与客户产品和应用相关的风险,客户应提供充分的设计与操作安全措施。

TI 不对任何 TI 专利权、版权、屏蔽作品权或其它与使用了 TI 组件或服务的组合设备、机器或流程相关的 TI 知识产权中授予的直接或隐含权限作出任何保证或解释。TI 所发布的与第三方产品或服务有关的信息,不能构成从 TI 获得使用这些产品或服务的许可、授权、或认可。使用此类信息可能需要获得第三方的专利权或其它知识产权方面的许可,或是 TI 的专利权或其它知识产权方面的许可。

对于 TI 的产品手册或数据表中 TI 信息的重要部分,仅在没有对内容进行任何篡改且带有相关授权、条件、限制和声明的情况下才允许进行复制。TI 对此类篡改过的文件不承担任何责任或义务。复制第三方的信息可能需要服从额外的限制条件。

在转售 TI 组件或服务时,如果对该组件或服务参数的陈述与 TI 标明的参数相比存在差异或虚假成分,则会失去相关 TI 组件或服务的所有明示或暗示授权,且这是不正当的、欺诈性商业行为。TI 对任何此类虚假陈述均不承担任何责任或义务。

客户认可并同意,尽管任何应用相关信息或支持仍可能由 TI 提供,但他们将独立负责满足与其产品及其在应用中使用的 TI 产品相关的所有法律、法规和安全相关要求。客户声明并同意,他们具备制定与实施安全措施所需的全部专业技术和知识,可预见故障的危险后果、监测故障及其后果、降低有可能造成人身伤害的故障的发生机率并采取适当的补救措施。客户将全额赔偿因在此类安全关键应用中使用任何 TI 组件而对 TI 及其代理造成的任何损失。

在某些场合中,为了推进安全相关应用有可能对 TI 组件进行特别的促销。TI 的目标是利用此类组件帮助客户设计和创立其特有的可满足适用的功能安全性标准和要求的终端产品解决方案。尽管如此,此类组件仍然服从这些条款。

TI 组件未获得用于 FDA Class III (或类似的生命攸关医疗设备)的授权许可,除非各方授权官员已经达成了专门管控此类使用的特别协议。

只有那些 TI 特别注明属于军用等级或“增强型塑料”的 TI 组件才是设计或专门用于军事/航空应用或环境的。购买者认可并同意,对并非指定面向军事或航空航天用途的 TI 组件进行军事或航空航天方面的应用,其风险由客户单独承担,并且由客户独立负责满足与此类使用相关的所有法律和法规要求。

TI 已明确指定符合 ISO/TS16949 要求的产品,这些产品主要用于汽车。在任何情况下,因使用非指定产品而无法达到 ISO/TS16949 要求, TI 不承担任何责任。

	产品		应用
数字音频	www.ti.com.cn/audio	通信与电信	www.ti.com.cn/telecom
放大器和线性器件	www.ti.com.cn/amplifiers	计算机及周边	www.ti.com.cn/computer
数据转换器	www.ti.com.cn/dataconverters	消费电子	www.ti.com.cn/consumer-apps
DLP® 产品	www.dlp.com	能源	www.ti.com.cn/energy
DSP - 数字信号处理器	www.ti.com.cn/dsp	工业应用	www.ti.com.cn/industrial
时钟和计时器	www.ti.com.cn/clockandtimers	医疗电子	www.ti.com.cn/medical
接口	www.ti.com.cn/interface	安防应用	www.ti.com.cn/security
逻辑	www.ti.com.cn/logic	汽车电子	www.ti.com.cn/automotive
电源管理	www.ti.com.cn/power	视频和影像	www.ti.com.cn/video
微控制器 (MCU)	www.ti.com.cn/microcontrollers		
RFID 系统	www.ti.com.cn/rfidsys		
OMAP应用处理器	www.ti.com.cn/omap		
无线连通性	www.ti.com.cn/wirelessconnectivity	德州仪器在线技术支持社区	www.deyisupport.com

邮寄地址: 上海市浦东新区世纪大道1568号, 中建大厦32楼邮政编码: 200122
Copyright © 2015, 德州仪器半导体技术(上海)有限公司

PACKAGING INFORMATION

Orderable Device	Status (1)	Package Type	Package Drawing	Pins	Package Qty	Eco Plan (2)	Lead/Ball Finish (6)	MSL Peak Temp (3)	Op Temp (°C)	Device Marking (4/5)	Samples
LDC1000NHRJ	NRND	WSO	NHR	16	4500	Green (RoHS & no Sb/Br)	CU SN	Level-1-260C-UNLIM	-40 to 125	LDC1000	
LDC1000NHRR	NRND	WSO	NHR	16	1000	Green (RoHS & no Sb/Br)	CU SN	Level-1-260C-UNLIM	-40 to 125	LDC1000	
LDC1000NHRT	NRND	WSO	NHR	16	250	Green (RoHS & no Sb/Br)	CU SN	Level-1-260C-UNLIM	-40 to 125	LDC1000	

(1) The marketing status values are defined as follows:

ACTIVE: Product device recommended for new designs.

LIFEBUY: TI has announced that the device will be discontinued, and a lifetime-buy period is in effect.

NRND: Not recommended for new designs. Device is in production to support existing customers, but TI does not recommend using this part in a new design.

PREVIEW: Device has been announced but is not in production. Samples may or may not be available.

OBSELETE: TI has discontinued the production of the device.

(2) **RoHS:** TI defines "RoHS" to mean semiconductor products that are compliant with the current EU RoHS requirements for all 10 RoHS substances, including the requirement that RoHS substance do not exceed 0.1% by weight in homogeneous materials. Where designed to be soldered at high temperatures, "RoHS" products are suitable for use in specified lead-free processes. TI may reference these types of products as "Pb-Free".

RoHS Exempt: TI defines "RoHS Exempt" to mean products that contain lead but are compliant with EU RoHS pursuant to a specific EU RoHS exemption.

Green: TI defines "Green" to mean the content of Chlorine (Cl) and Bromine (Br) based flame retardants meet JS709B low halogen requirements of <=1000ppm threshold. Antimony trioxide based flame retardants must also meet the <=1000ppm threshold requirement.

(3) MSL, Peak Temp. - The Moisture Sensitivity Level rating according to the JEDEC industry standard classifications, and peak solder temperature.

(4) There may be additional marking, which relates to the logo, the lot trace code information, or the environmental category on the device.

(5) Multiple Device Markings will be inside parentheses. Only one Device Marking contained in parentheses and separated by a "-" will appear on a device. If a line is indented then it is a continuation of the previous line and the two combined represent the entire Device Marking for that device.

(6) Lead/Ball Finish - Orderable Devices may have multiple material finish options. Finish options are separated by a vertical ruled line. Lead/Ball Finish values may wrap to two lines if the finish value exceeds the maximum column width.

Important Information and Disclaimer:The information provided on this page represents TI's knowledge and belief as of the date that it is provided. TI bases its knowledge and belief on information provided by third parties, and makes no representation or warranty as to the accuracy of such information. Efforts are underway to better integrate information from third parties. TI has taken and continues to take reasonable steps to provide representative and accurate information but may not have conducted destructive testing or chemical analysis on incoming materials and chemicals. TI and TI suppliers consider certain information to be proprietary, and thus CAS numbers and other limited information may not be available for release.

In no event shall TI's liability arising out of such information exceed the total purchase price of the TI part(s) at issue in this document sold by TI to Customer on an annual basis.

OTHER QUALIFIED VERSIONS OF LDC1000 :

- Automotive: [LDC1000-Q1](#)

NOTE: Qualified Version Definitions:

- Automotive - Q100 devices qualified for high-reliability automotive applications targeting zero defects

TAPE AND REEL INFORMATION



QUADRANT ASSIGNMENTS FOR PIN 1 ORIENTATION IN TAPE



*All dimensions are nominal

Device	Package Type	Package Drawing	Pins	SPQ	Reel Diameter (mm)	Reel Width W1 (mm)	A0 (mm)	B0 (mm)	K0 (mm)	P1 (mm)	W (mm)	Pin1 Quadrant
LDC1000NHRJ	WSON	NHR	16	4500	330.0	12.4	4.3	5.3	1.3	8.0	12.0	Q1
LDC1000NHRR	WSON	NHR	16	1000	178.0	12.4	4.3	5.3	1.3	8.0	12.0	Q1
LDC1000NHRT	WSON	NHR	16	250	178.0	12.4	4.3	5.3	1.3	8.0	12.0	Q1

TAPE AND REEL BOX DIMENSIONS


*All dimensions are nominal

Device	Package Type	Package Drawing	Pins	SPQ	Length (mm)	Width (mm)	Height (mm)
LDC1000NHRJ	WSON	NHR	16	4500	367.0	367.0	35.0
LDC1000NHRR	WSON	NHR	16	1000	210.0	185.0	35.0
LDC1000NHRT	WSON	NHR	16	250	210.0	185.0	35.0

重要声明

德州仪器 (TI) 公司有权按照最新发布的 JESD46 对其半导体产品和服务进行纠正、增强、改进和其他修改，并不再按最新发布的 JESD48 提供任何产品和服务。买方在下订单前应获取最新的相关信息，并验证这些信息是否完整且是最新的。

TI 公布的半导体产品销售条款 (<http://www.ti.com/sc/docs/stdterms.htm>) 适用于 TI 已认证和批准上市的已封装集成电路产品的销售。另有其他条款可能适用于其他类型 TI 产品及服务的使用或销售。

复制 TI 数据表上 TI 信息的重要部分时，不得变更该等信息，且必须随附所有相关保证、条件、限制和通知，否则不得复制。TI 对该等复制文件不承担任何责任。第三方信息可能受到其它限制条件的制约。在转售 TI 产品或服务时，如果存在对产品或服务参数的虚假陈述，则会失去相关 TI 产品或服务的明示或暗示保证，且构成不公平的、欺诈性商业行为。TI 对此类虚假陈述不承担任何责任。

买方和在系统中整合 TI 产品的其他开发人员（总称“设计人员”）理解并同意，设计人员在设计应用时应自行实施独立的分析、评价和判断，且应全权负责并确保应用的安全性，及设计人员的应用（包括应用中使用的 TI 产品）应符合所有适用的法律法规及其他相关要求。设计人员就自己设计的应用声明，其具备制订和实施下列保障措施所需的一切必要专业知识，能够 (1) 预见故障的危险后果，(2) 监视故障及其后果，以及 (3) 降低可能导致危险的故障几率并采取适当措施。设计人员同意，在使用或分发包含 TI 产品的任何应用前，将彻底测试该等应用和和该等应用所用 TI 产品的功能而设计。

TI 提供技术、应用或其他设计建议、质量特点、可靠性数据或其他服务或信息，包括但不限于与评估模块有关的参考设计和材料（总称“TI 资源”），旨在帮助设计人员开发整合了 TI 产品的应用，如果设计人员（个人，或如果是代表公司，则为设计人员的公司）以任何方式下载、访问或使用任何特定的 TI 资源，即表示其同意仅为该等目标，按照本通知的条款使用任何特定 TI 资源。

TI 所提供的 TI 资源，并未扩大或以其他方式修改 TI 对 TI 产品的公开适用的质保及质保免责声明；也未导致 TI 承担任何额外的义务或责任。TI 有权对其 TI 资源进行纠正、增强、改进和其他修改。除特定 TI 资源的公开文档中明确列出的测试外，TI 未进行任何其他测试。

设计人员只有在开发包含该等 TI 资源所列 TI 产品的应用时，才被授权使用、复制和修改任何相关单项 TI 资源。但并未依据禁止反言原则或其他法律授予您任何 TI 知识产权的任何其他明示或默示的许可，也未授予您 TI 或第三方的任何技术或知识产权的许可，该等许可包括但不限于任何专利权、版权、屏蔽作品权或与应用 TI 产品或服务的任何整合、机器制作、流程相关的其他知识产权。涉及或参考了第三方产品或服务的信息不构成使用此类产品或服务的许可或与其相关的保证或认可。使用 TI 资源可能需要您向第三方获得对该等第三方专利或其他知识产权的许可。

TI 资源系“按原样”提供。TI 兹免除对资源及其使用作出所有其他明确或默示的保证或陈述，包括但不限于对准确性或完整性、产权保证、无屡发故障保证，以及适销性、适合特定用途和不侵犯任何第三方知识产权的任何默认保证。TI 不负责任何申索，包括但不限于因组合产品所致或与之有关的申索，也不为或对设计人员进行辩护或赔偿，即使该等产品组合已列于 TI 资源或其他地方。对因 TI 资源或其使用引起或与之有关的任何实际的、直接的、特殊的、附带的、间接的、惩罚性的、偶发的、从属或惩戒性损害赔偿，不管 TI 是否获悉可能会产生上述损害赔偿，TI 概不负责。

除 TI 已明确指出特定产品已达到特定行业标准（例如 ISO/TS 16949 和 ISO 26262）的要求外，TI 不对未达到任何该等行业标准要求而承担任何责任。

如果 TI 明确宣称产品有助于功能安全或符合行业功能安全标准，则该等产品旨在帮助客户设计和创作自己的符合相关功能安全标准和要求的的应用。在应用内使用产品的行为本身不会配有 任何安全特性。设计人员必须确保遵守适用于其应用的相关安全要求和标准而设计。设计人员不可将任何 TI 产品用于关乎性命的医疗设备，除非已由各方获得授权的管理人员签署专门的合同对此类应用专门作出规定。关乎性命的医疗设备是指出现故障会导致严重身体伤害或死亡的医疗设备（例如生命保障设备、心脏起搏器、心脏除颤器、人工心脏泵、神经刺激器以及植入设备）。此类设备包括但不限于，美国食品药品监督管理局认定为 III 类设备的设备，以及在美国以外的其他国家或地区认定为同等类别设备的所有医疗设备。

TI 可能明确指定某些产品具备某些特定资格（例如 Q100、军用级或增强型产品）。设计人员同意，其具备一切必要专业知识，可以为自己的应用选择适合的产品，并且正确选择产品的风险由设计人员承担。设计人员单方面负责遵守与该等选择有关的所有法律或监管要求。

设计人员同意向 TI 及其代表全额赔偿因其不遵守本通知条款和条件而引起的任何损害、费用、损失和/或责任。

邮寄地址：上海市浦东新区世纪大道 1568 号中建大厦 32 楼，邮政编码：200122
Copyright © 2018 德州仪器半导体技术（上海）有限公司