

Features

- Serial Peripheral Interface (SPI) Compatible
- Supports SPI Modes 0 (0,0) and 3 (1,1)
 - Datasheet Describes Mode 0 Operation
- Low-voltage and Standard-voltage Operation
 - 1.8 ($V_{CC} = 1.8V$ to 5.5V)
- 20MHz Clock Rate (5V)
- 32-byte Page Mode
- Block Write Protection
 - Protect 1/4, 1/2, or Entire Array
- Write Protect (WP) Pin and Write Disable Instructions for Both Hardware and Software Data Protection
- Self-timed Write Cycle (5ms max)
- High Reliability
 - Endurance: One Million Write Cycles
 - Data Retention: 100 Years
- Green (Pb/Halide-free/RoHS Compliant) Packaging Options
- Die Sales: Wafer Form, Tape and Reel, and Bumped Wafers

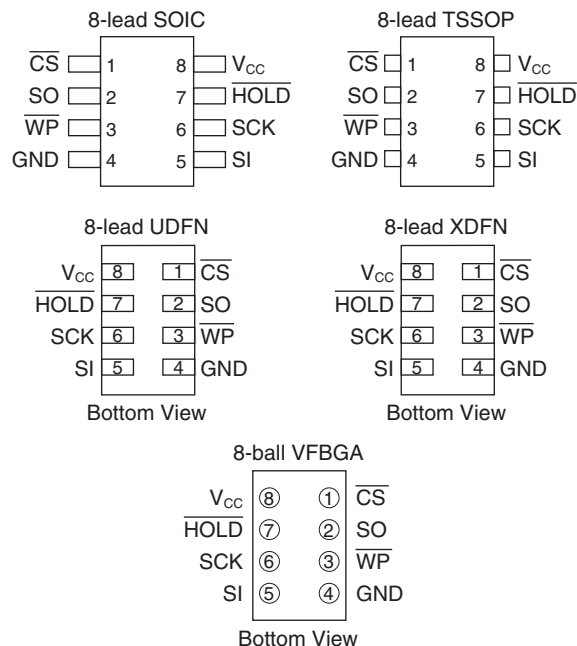
Description

The Atmel® AT25320B/640B provides 32768-/65536-bits of serial electrically-erasable programmable read-only memory (EEPROM) organized as 4096/8192 words of 8-bits each. The device is optimized for use in many industrial and commercial applications where low-power and low-voltage operation are essential. The AT25320B/640B is available in space-saving 8-lead JEDEC SOIC, 8-lead UDFN, 8-lead XDFN, 8-lead TSSOP, and 8-ball VFBGA packages.

The AT25320B/640B is enabled through the Chip Select pin (\overline{CS}) and accessed via a three-wire interface consisting of Serial Data Input (SI), Serial Data Output (SO), and Serial Clock (SCK). All programming cycles are completely self-timed, and no separate erase cycle is required before write.

Table 0-1. Pin Configuration

Pin Name	Function
\overline{CS}	Chip Select
SCK	Serial Data Clock
SI	Serial Data Input
SO	Serial Data Output
GND	Ground
VCC	Power Supply
\overline{WP}	Write Protect
\overline{HOLD}	Suspends Serial Input



**SPI Serial
EEPROMs
32K (4096 x 8)
64K (8192 x 8)**

**Atmel
AT25320B
AT25640B**



Block write protection is enabled by programming the status register with one of four blocks of write protection. Separate program enable and program disable instructions are provided for additional data protection. Hardware data protection is provided via the \overline{WP} pin to protect against inadvertent write attempts to the status register. The \overline{HOLD} pin may be used to suspend any serial communication without resetting the serial sequence.

1. Absolute Maximum Ratings*

Operating Temperature	-55-C to +125-C
Storage Temperature	-65-C to +150-C
Voltage on Any Pin with Respect to Ground.....	-1.0V to +7.0V
Maximum Operating Voltage.....	6.25V
DC Output Current	5.0 mA

*NOTICE: Stresses beyond those listed under "Absolute Maximum Ratings" may cause permanent damage to the device. This is a stress rating only and functional operation of the device at these or any other conditions beyond those indicated in the operational sections of this specification is not implied. Exposure to absolute maximum rating conditions for extended periods may affect device reliability.

Figure 1-1. Block Diagram

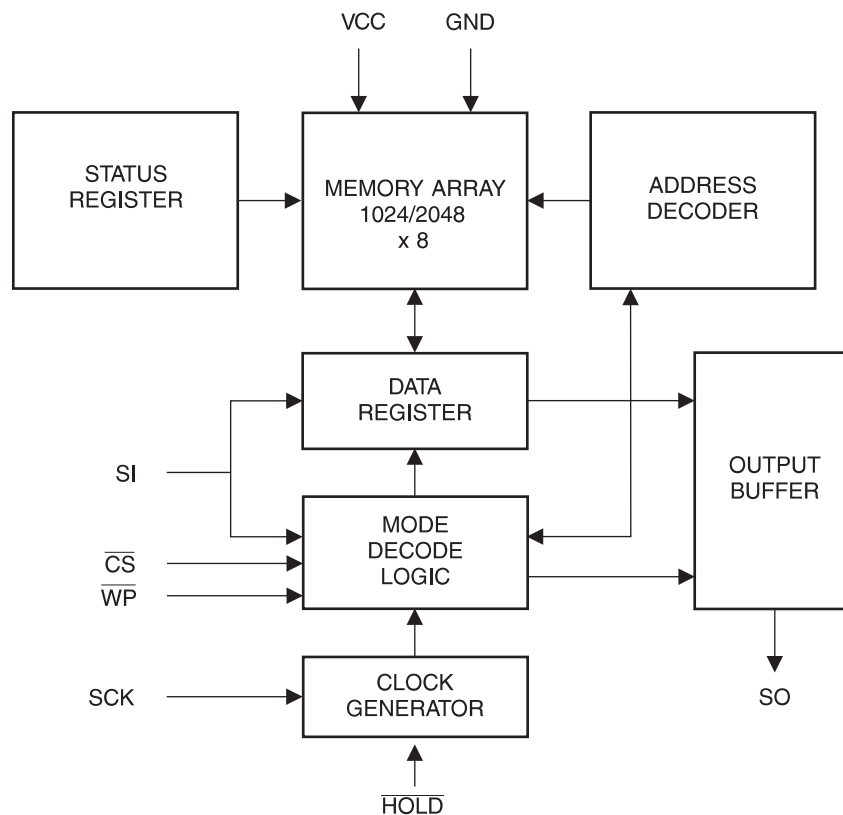


Table 1-1. Pin Capacitance⁽¹⁾

Applicable over recommended operating range from $T_A = 25^\circ\text{C}$, $f = 1.0\text{MHz}$, $V_{CC} = +5.0\text{V}$ (unless otherwise noted)

Symbol	Test Conditions	Max	Units	Conditions
C_{OUT}	Output Capacitance (SO)	8	pF	$V_{OUT} = 0\text{V}$
C_{IN}	Input Capacitance (\overline{CS} , SCK, SI, WP, HOLD)	6	pF	$V_{IN} = 0\text{V}$

Note: 1. This parameter is characterized and is not 100% tested

Table 1-2. DC Characteristics

Applicable over recommended operating range from: $T_{AI} = -40^\circ\text{C}$ to $+85^\circ\text{C}$, $V_{CC} = +1.8\text{V}$ to $+5.5\text{V}$ (unless otherwise noted)

Symbol	Parameter	Test Condition	Min	Typ	Max	Units
V_{CC1}	Supply Voltage		1.8		5.5	V
V_{CC2}	Supply Voltage		2.5		5.5	V
V_{CC3}	Supply Voltage		4.5		5.5	V
I_{CC1}	Supply Current	$V_{CC} = 5.0\text{V}$ at 20MHz, SO = Open, Read		7.5	10.0	mA
I_{CC2}	Supply Current	$V_{CC} = 5.0\text{V}$ at 20MHz, SO = Open, Read, Write		4.0	10.0	mA
I_{CC3}	Supply Current	$V_{CC} = 5.0\text{V}$ at 5MHz, SO = Open, Read, Write		4.0	6.0	mA
I_{SB1}	Standby Current	$V_{CC} = 1.8\text{V}$, $\overline{CS} = V_{CC}$		< 0.1	6.0 ⁽²⁾	μA
I_{SB2}	Standby Current	$V_{CC} = 2.5\text{V}$, $\overline{CS} = V_{CC}$		0.3	7.0 ⁽²⁾	μA
I_{SB3}	Standby Current	$V_{CC} = 5.0\text{V}$, $\overline{CS} = V_{CC}$		2.0	10.0 ⁽²⁾	μA
I_{IL}	Input Leakage	$V_{IN} = 0\text{V}$ to V_{CC}	-3.0		3.0	μA
I_{OL}	Output Leakage	$V_{IN} = 0\text{V}$ to V_{CC} , $T_{AC} = 0^\circ\text{C}$ to 70°C	-3.0		3.0	μA
$V_{IL}^{(1)}$	Input Low-voltage		-0.6		$V_{CC} \times 0.3$	V
$V_{IH}^{(1)}$	Input High-voltage		$V_{CC} \times 0.7$		$V_{CC} + 0.5$	V
V_{OL1}	Output Low-voltage	$3.6\text{V} \leq V_{CC} \leq 5.5\text{V}$		$I_{OL} = 3.0\text{mA}$	0.4	V
V_{OH1}	Output High-voltage			$I_{OH} = -1.6\text{mA}$	$V_{CC} - 0.8$	V
V_{OL2}	Output Low-voltage	$1.8\text{V} \leq V_{CC} \leq 3.6\text{V}$		$I_{OL} = 0.15\text{mA}$	0.2	V
V_{OH2}	Output High-voltage			$I_{OH} = -100\mu\text{A}$	$V_{CC} - 0.2$	V

Notes: 1. V_{IL} min and V_{IH} max are reference only and are not tested

2. Worst case measured at 85°C

Table 1-3. AC Characteristics

Applicable over recommended operating range from $T_{AI} = -40^{\circ}\text{C}$ to $+85^{\circ}\text{C}$, $V_{CC} = \text{As Specified}$,
 $CL = 1 \text{ TTL Gate and } 30\text{pF}$ (unless otherwise noted)

Symbol	Parameter	Voltage	Min	Max	Units
f_{SCK}	SCK Clock Frequency	4.5–5.5	0	20	MHz
		2.5–5.5	0	10	
		1.8–5.5	0	5	
t_{RI}	Input Rise Time	4.5–5.5		2	μs
		2.5–5.5		2	
		1.8–5.5		2	
t_{FI}	Input Fall Time	4.5–5.5		2	μs
		2.5–5.5		2	
		1.8–5.5		2	
t_{WH}	SCK High Time	4.5–5.5	20		ns
		2.5–5.5	40		
		1.8–5.5	80		
t_{WL}	SCK Low Time	4.5–5.5	20		ns
		2.5–5.5	40		
		1.8–5.5	80		
t_{CS}	\overline{CS} High Time	4.5–5.5	25		ns
		2.5–5.5	50		
		1.8–5.5	100		
t_{CSS}	\overline{CS} Setup Time	4.5–5.5	25		ns
		2.5–5.5	50		
		1.8–5.5	100		
t_{CSH}	\overline{CS} Hold Time	4.5–5.5	25		ns
		2.5–5.5	50		
		1.8–5.5	100		
t_{SU}	Data In Setup Time	4.5–5.5	5		ns
		2.5–5.5	10		
		1.8–5.5	20		
t_H	Data In Hold Time	4.5–5.5	5		ns
		2.5–5.5	10		
		1.8–5.5	20		
t_{HD}	\overline{HOLD} Setup Time	4.5–5.5	5		ns
		2.5–5.5	10		
		1.8–5.5	20		
t_{CD}	\overline{HOLD} Hold Time	4.5–5.5	5		ns
		2.5–5.5	10		
		1.8–5.5	20		
t_V	Output Valid	4.5–5.5	0	20	ns
		2.5–5.5	0	40	
		1.8–5.5	0	80	
t_{HO}	Output Hold Time	4.5–5.5	0		ns
		2.5–5.5	0		
		1.8–5.5	0		

Table 1-3. AC Characteristics (Continued)

Applicable over recommended operating range from $T_{AI} = -40^{\circ}\text{C}$ to $+85^{\circ}\text{C}$, $V_{CC} = \text{As Specified}$,
 $CL = 1$ TTL Gate and 30pF (unless otherwise noted)

Symbol	Parameter	Voltage	Min	Max	Units
t_{LZ}	$\overline{\text{HOLD}}$ to Output Low Z	4.5–5.5	0	25	ns
		2.5–5.5	0	50	
		1.8–5.5	0	100	
t_{HZ}	$\overline{\text{HOLD}}$ to Output High Z	4.5–5.5		40	ns
		2.5–5.5		80	
		1.8–5.5		200	
t_{DIS}	Output Disable Time	4.5–5.5		40	ns
		2.5–5.5		80	
		1.8–5.5		200	
t_{WC}	Write Cycle Time	4.5–5.5		5	ms
		2.5–5.5		5	
		1.8–5.5		5	
Endurance ⁽¹⁾	3.3V, 25°C, Page Mode		1M		Write Cycles

Note: 1. This parameter is characterized and is not 100% tested

2. Serial Interface Description

MASTER: The device that generates the serial clock.

SLAVE: Because the Serial Clock pin (SCK) is always an input, the Atmel® AT25320B/640B always operates as a slave.

TRANSMITTER/RECEIVER: The AT25320B/640B has separate pins designated for data transmission (SO) and reception (SI).

MSB: The Most Significant Bit (MSB) is the first bit transmitted and received.

SERIAL OP-CODE: After the device is selected with $\overline{\text{CS}}$ going low, the first byte will be received. This byte contains the op-code that defines the operations to be performed.

INVALID OP-CODE: If an invalid op-code is received, no data will be shifted into the AT25320B/640B, and the serial output pin (SO) will remain in a high impedance state until the falling edge of $\overline{\text{CS}}$ is detected again. This will reinitialize the serial communication.

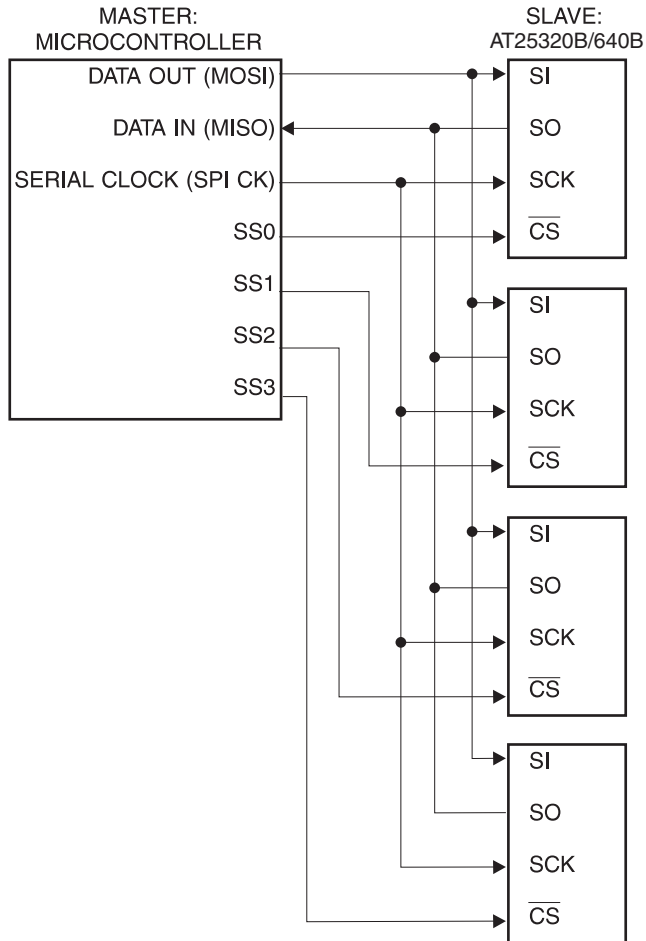
CHIP SELECT: The AT25320B/640B is selected when the $\overline{\text{CS}}$ pin is low. When the device is not selected, data will not be accepted via the SI pin, and the serial output pin (SO) will remain in a high impedance state.

HOLD: The $\overline{\text{HOLD}}$ pin is used in conjunction with the $\overline{\text{CS}}$ pin to select the AT25320B/640B. When the device is selected and a serial sequence is underway, $\overline{\text{HOLD}}$ can be used to pause the serial communication with the master device without resetting the serial sequence. To pause, the $\overline{\text{HOLD}}$ pin must be brought low while the SCK pin is low. To resume serial communication, the $\overline{\text{HOLD}}$ pin is brought high while the SCK pin is low (SCK may still toggle during $\overline{\text{HOLD}}$). Inputs to the SI pin will be ignored while the SO pin is in the high impedance state.

WRITE PROTECT: The write protect pin ($\overline{\text{WP}}$) will allow normal read/write operations when held high. When the WP pin is brought low and WPEN bit is “1”, all write operations to the status register are inhibited. $\overline{\text{WP}}$ going low while $\overline{\text{CS}}$ is still low will interrupt a write to the status register. If the internal write cycle has already been initiated, $\overline{\text{WP}}$ going low will have no effect on any write operation to the status register. The $\overline{\text{WP}}$ pin function is blocked when the WPEN bit in the status register is “0”. This will allow the user to install the AT25320B/640B in a system with the

\overline{WP} pin tied to ground and still be able to write to the status register. All \overline{WP} pin functions are enabled when the WPEN bit is set to "1".

Figure 2-1. SPI Serial Interface



3. Functional Description

The Atmel® AT25320B/640B is designed to interface directly with the synchronous serial peripheral interface (SPI) of the 6805 and 68HC11 series of microcontrollers.

The AT25320B/640B utilizes an 8-bit instruction register. The list of instructions and their operation codes are contained in [Table 3-1](#). All instructions, addresses, and data are transferred with the MSB first and start with a high-to-low CS transition.

Table 3-1. Instruction Set for the Atmel AT25320B/640B

Instruction Name	Instruction Format	Operation
WREN	0000 X110	Set Write Enable Latch
WRDI	0000 X100	Reset Write Enable Latch
RDSR	0000 X101	Read Status Register
WRSR	0000 X001	Write Status Register
READ	0000 X011	Read Data from Memory Array
WRITE	0000 X010	Write Data to Memory Array

WRITE ENABLE (WREN): The device will power up in the write disable state when V_{CC} is applied. All programming instructions must therefore be preceded by a Write Enable instruction.

WRITE DISABLE (WRDI): To protect the device against inadvertent writes, the Write Disable instruction disables all programming modes. The WRDI instruction is independent of the status of the \overline{WP} pin.

READ STATUS REGISTER (RDSR): The Read Status Register instruction provides access to the status register. The READY/BUSY and Write Enable status of the device can be determined by the RDSR instruction. Similarly, the Block Write Protection Bits indicate the extent of protection employed. These bits are set by using the WRSR instruction.

Table 3-2. Status Register Format

Bit 7	Bit 6	Bit 5	Bit 4	Bit 3	Bit 2	Bit 1	Bit 0
WPEN	X	X	X	BP1	BP0	WEN	\overline{RDY}

Table 3-3. Read Status Register Bit Definition

Bit	Definition
Bit 0 (\overline{RDY})	Bit 0 = "0" (\overline{RDY}) indicates the device is READY. Bit 0 = "1" indicates the write cycle is in progress.
Bit 1 (WEN)	Bit 1 = "0" indicates the device is not WRITE ENABLED. Bit 1 = "1" indicates the device is write enabled.
Bit 2 (BP0)	See Table 3-4 on page 8 .
Bit 3 (BP1)	See Table 3-4 on page 8 .
Bits 4–6 are "0"s when device is not in an internal write cycle.	
Bit 7 (WPEN)	See Table 3-5 on page 8 .
Bits 0–7 are "1"s during an internal write cycle.	



WRITE STATUS REGISTER (WRSR): The WRSR instruction allows the user to select one of four levels of protection. The Atmel® AT25320B/640B is divided into four array segments. One-quarter, one-half, or all of the memory segments can be protected. Any of the data within any selected segment will therefore be read only. The block write protection levels and corresponding status register control bits are shown in Table 3-4 on page 8.

The three bits BP0, BP1, and WPEN are nonvolatile cells that have the same properties and functions as the regular memory cells (e.g., WREN, t_{WC} , RDSR).

Table 3-4. Block Write Protect Bits

Level	Status Register Bits		Array Addresses Protected	
	BP1	BP0	Atmel AT25320B	Atmel AT25640B
0	0	0	None	None
1(1/4)	0	1	0C00–0FFF	1800–1FFF
2(1/2)	1	0	0800–0FFF	1000–1FFF
3(All)	1	1	0000–0FFF	0000–1FFF

The WRSR instruction also allows the user to enable or disable the write protect (\overline{WP}) pin through the use of the Write Protect Enable (WPEN) bit. Hardware write protection is enabled when the \overline{WP} pin is low and the WPEN bit is “1”. Hardware write protection is disabled when either the \overline{WP} pin is high or the WPEN bit is “0”. When the device is hardware write protected, writes to the status register, including the block protect bits and the WPEN bit, and the block-protected sections in the memory array are disabled. Writes are only allowed to sections of the memory that are not block-protected.

Note: When the WPEN bit is hardware write protected, it cannot be changed back to “0” as long as the \overline{WP} pin is held low.

Table 3-5. WPEN Operation

WPEN	\overline{WP}	WEN	Protected Blocks	Unprotected Blocks	Status Register
0	X	0	Protected	Protected	Protected
0	X	1	Protected	Writeable	Writeable
1	Low	0	Protected	Protected	Protected
1	Low	1	Protected	Writeable	Protected
X	High	0	Protected	Protected	Protected
X	High	1	Protected	Writeable	Writeable

READ SEQUENCE (READ): Reading the AT25320B/640B via the Serial Output (SO) pin requires the following sequence. After the \overline{CS} line is pulled low to select a device, the read op-code is transmitted via the SI line followed by the byte address to be read (A15–A0, see Table 3-6). Upon completion, any data on the SI line will be ignored. The data (D7–D0) at the specified address is then shifted out onto the SO line. If only one byte is to be read, the \overline{CS} line should be driven high after the data comes out. The read sequence can be continued since the byte address is automatically incremented and data will continue to be shifted out. When the highest address is reached, the address counter will roll over to the lowest address allowing the entire memory to be read in one continuous read cycle.

WRITE SEQUENCE (WRITE): In order to program the Atmel® AT25320B/640B, two separate instructions must be executed. First, the device **must be write enabled** via the WREN instruction. Then a write (WRITE) instruction may be executed. Also, the address of the memory location(s) to be programmed must be outside the protected address field location selected by the block write protection level. During an internal write cycle, all commands will be ignored except the RDSR instruction.

A write instruction requires the following sequence. After the \overline{CS} line is pulled low to select the device, the WRITE op-code is transmitted via the SI line followed by the byte address (A15–A0) and the data (D7–D0) to be programmed (see Table 3-6). Programming will start after the \overline{CS} pin is brought high. The low-to-high transition of the \overline{CS} pin must occur during the SCK low-time immediately after clocking in the D0 (LSB) data bit.

The READY/BUSY status of the device can be determined by initiating a read status register (RDSR) instruction. If Bit 0 = “1”, the write cycle is still in progress. If Bit 0 = “0”, the write cycle has ended. Only the RDSR instruction is enabled during the write programming cycle.

The AT25320B/640B is capable of a 32-byte page write operation. After each byte of data is received, the five low-order address bits are internally incremented by one; the high-order bits of the address will remain constant. If more than 32-bytes of data are transmitted, the address counter will roll over and the previously written data will be overwritten. The AT25320B/640B is automatically returned to the write disable state at the completion of a write cycle.

Note: If the device is not write-enabled (WREN), the device will ignore the write instruction and will return to the standby state, when \overline{CS} is brought high. A new \overline{CS} falling edge is required to reinitiate the serial communication.

Table 3-6. Address Key

Address	Atmel AT25320B	Atmel AT25640B
A_N	$A_{11}-A_0$	$A_{12}-A_0$
Don't Care Bits	$A_{15}-A_{12}$	$A_{15}-A_{13}$

4. Timing Diagrams

Figure 4-1. Synchronous Data Timing (for Mode 0)

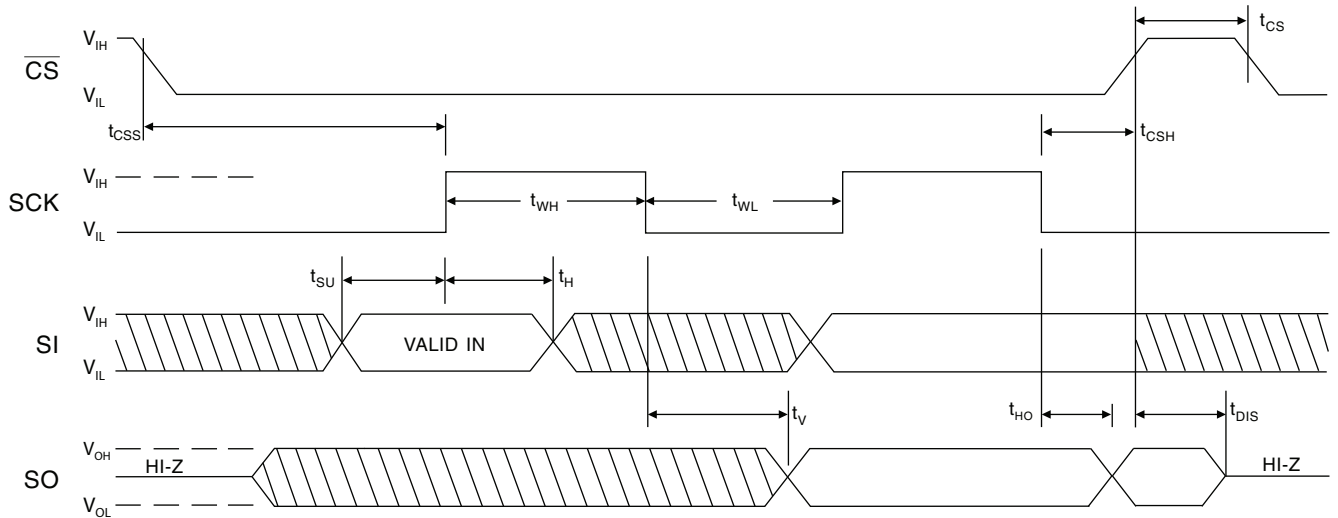


Figure 4-2. WREN Timing

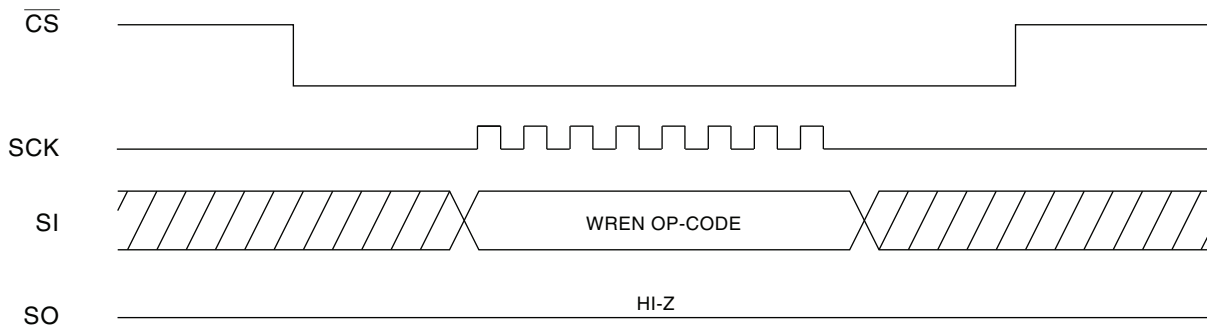


Figure 4-3. WRDI Timing

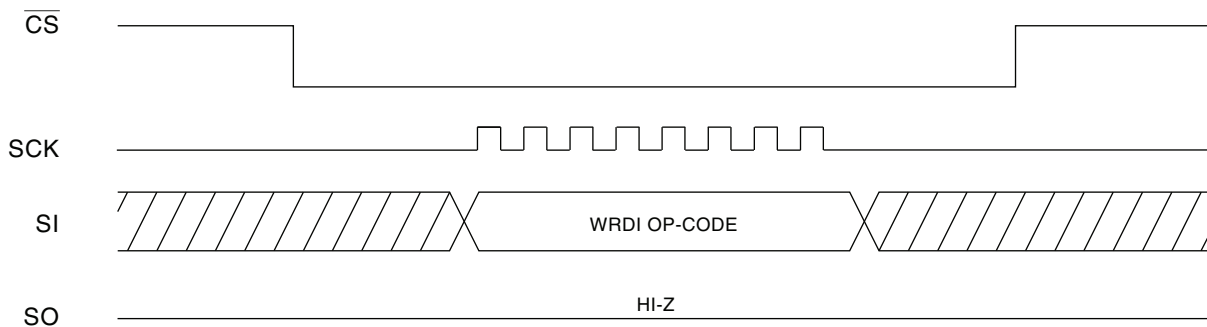


Figure 4-4. RDSR Timing

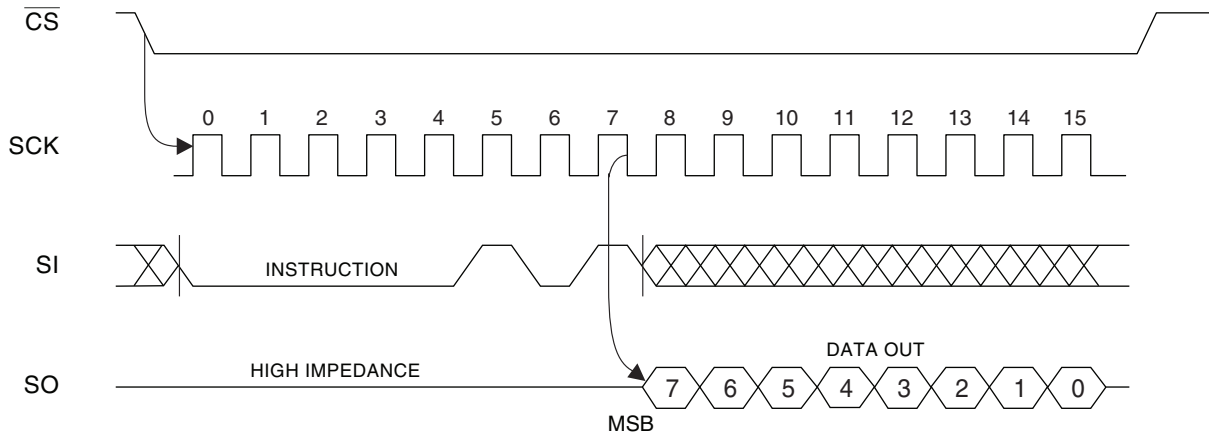


Figure 4-5. WRSR Timing

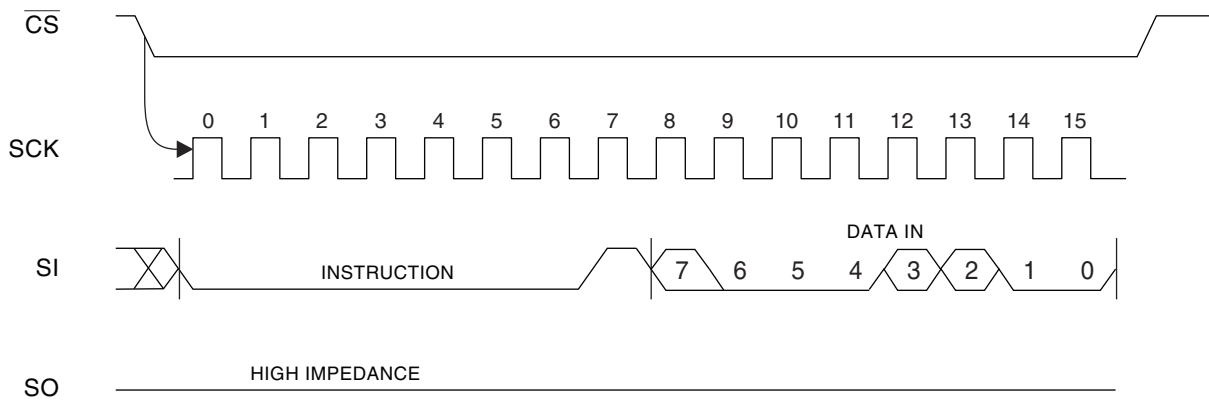


Figure 4-6. READ Timing

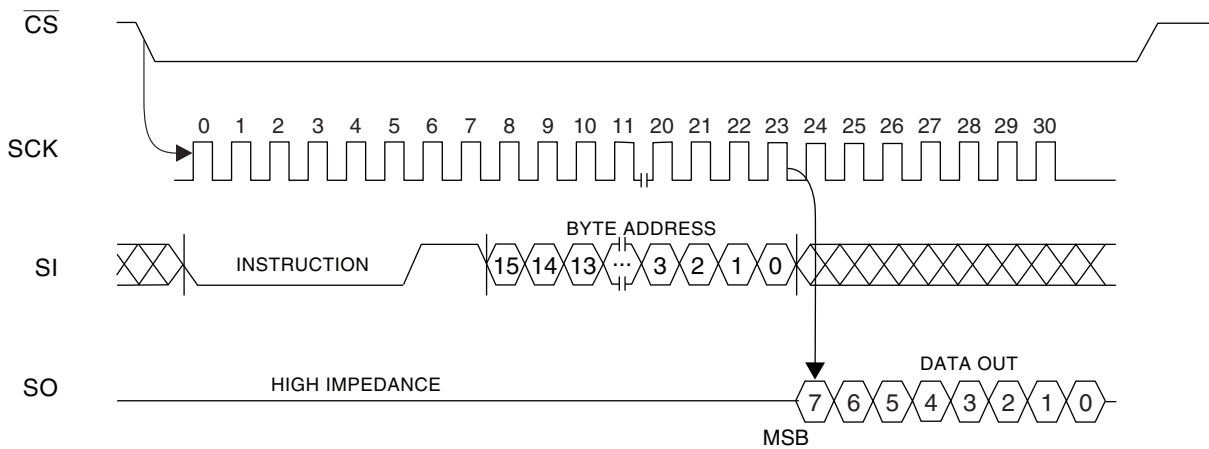


Figure 4-7. WRITE Timing

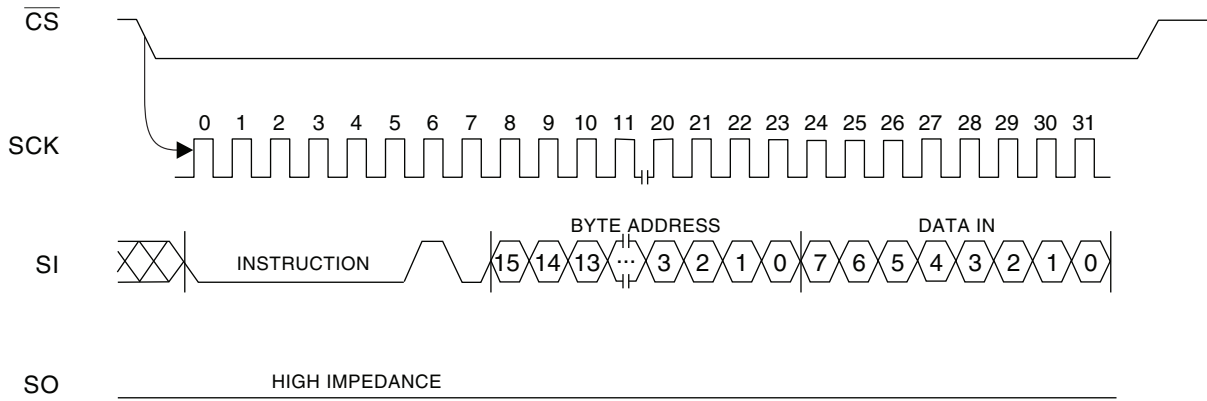
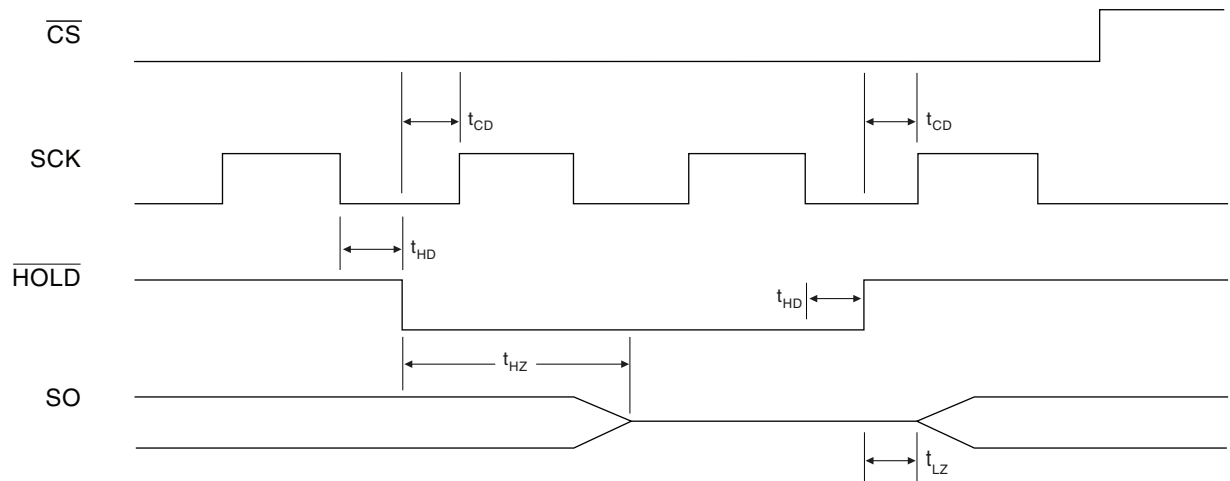
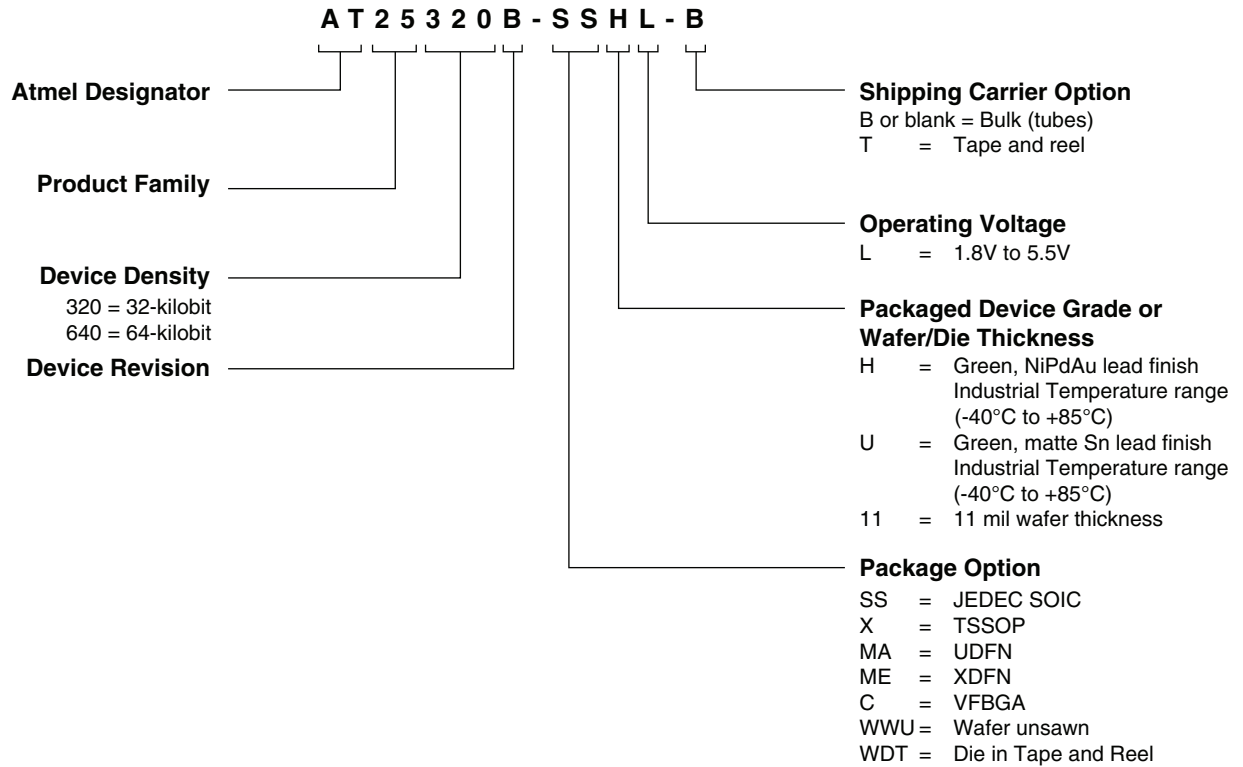


Figure 4-8. $\overline{\text{HOLD}}$ Timing



5. Ordering Code Detail



6. Part Markings

6.1 Atmel AT25320B

AT25320B-SSHL

Top Mark	Seal Year	
	Seal Week	@ = Country of Ass'y
		Y = SEAL YEAR
--- --- --- --- --- --- ---		WW = SEAL WEEK
A T M L H Y W W		02 = Week 2
--- --- --- --- --- --- ---		04 = Week 4
5 B B L @		:: : :::: :
--- --- --- --- --- --- ---		:: : :::: ::
* LOT NUMBER		50 = Week 50
--- --- --- --- --- --- ---		52 = Week 52
PIN 1 INDICATOR (DOT)		

AT25320B-XHL

Top Mark		
PIN 1 INDICATOR (DOT)		@ = Country of Ass'y
		Y = SEAL YEAR
* --- --- --- --- ---		WW = SEAL WEEK
A T H Y W W		02 = Week 2
--- --- --- --- ---		04 = Week 4
5 B B L @		:: : :::: :
--- --- --- --- ---		:: : :::: ::
ATMEL LOT NUMBER		50 = Week 50
--- --- --- --- ---		52 = Week 52

AT25320B-MAHL

Top Mark		
--- --- ---		Y = YEAR OF ASSEMBLY
5 B B		@ = Country of Ass'y
--- --- ---		XX= ATMEL LOT NUMBER TO COORESPOND
H L @		WITH TRACE CODE LOG BOOK
--- --- ---		(e.g. XX = AA, AB, AC, ... AX, AY AZ)
Y X X		Y = SEAL YEAR
--- --- ---		6: 2006 0: 2010
*		7: 2007 1: 2011
		8: 2008 2: 2012
PIN 1 INDICATOR (DOT)		9: 2009 3: 2013

6.2 Atmel AT25640B

AT25640B-SSHL

Top Mark	Seal Year	@ = Country of Ass'y	WW = SEAL WEEK
	Seal Week	Y = SEAL YEAR	02 = Week 2
--- --- --- --- --- --- ---		6: 2006	0: 2010
A T M L H Y W W		7: 2007	1: 2011
--- --- --- --- --- --- ---		8: 2008	2: 2012
5 C B L @		9: 2009	3: 2013
--- --- --- --- --- --- ---			:: : :::: :
* LOT NUMBER			:: : :::: ::
--- --- --- --- --- --- ---			50 = Week 50
			52 = Week 52
PIN 1 INDICATOR (DOT)			

AT25640B-XHL

Top Mark	@ = Country of Ass'y	WW = SEAL WEEK
PIN 1 INDICATOR (DOT)	Y = SEAL YEAR	02 = Week 2
	8: 2008	2: 2012
* --- --- --- --- --- ---	9: 2009	3: 2013
A T H Y W W	0: 2010	4: 2014
--- --- --- --- --- ---	1: 2011	5: 2015
5 C B L @		:: : :::: :
--- --- --- --- --- ---		:: : :::: ::
ATMEL LOT NUMBER		50 = Week 50
--- --- --- --- --- ---		52 = Week 52

AT25640B-MAHL

Top Mark	Y = YEAR OF ASSEMBLY
	@ = Country of Ass'y
5 C B	XX= ATMEL LOT NUMBER TO COORESPOND
--- --- ---	WITH TRACE CODE LOG BOOK
H L @	(e.g. XX = AA, AB, AC, ... AX, AY AZ)
--- --- ---	Y = SEAL YEAR
Y X X	6: 2006
--- --- ---	0: 2010
*	7: 2007
	1: 2011
PIN 1 INDICATOR (DOT)	8: 2008
	2: 2012
	9: 2009
	3: 2013

AT25640B-MEHL

Top Mark

```

|---|---|---|
 5   C   B
|---|---|---|
  Y   X   X
|---|---|---|
  *
  |
PIN 1 INDICATOR (DOT)
    
```

Y = YEAR OF ASSEMBLY
 XX= ATMEL LOT NUMBER TO COORESPOND
 WITH TRACE CODE LOG BOOK
 (e.g. XX = AA, AB, AC, ... AX, AY AZ)
 Y = SEAL YEAR

6: 2006	0: 2010
7: 2007	1: 2011
8: 2008	2: 2012
9: 2009	3: 2013

AT25640B-CUL

Top Mark

```

|---|---|---|---|
 5   C   B   U
|---|---|---|---|
  B   Y   M   X   X
|---|---|---|---|
  * <-- PIN 1 INDICATOR
    
```

B = Country of Origin
 Y = One Digit Year Code
 M = One Digit Month Code
 XX= TRACE CODE (ATMEL LOT NUMBER TO
 COORESPOND WITH TRACE CODE LOG BOOK)
 (e.g. XX = AA, AB, AC, ... YZ, ZZ)

Y = ONE DIGIT YEAR CODE	M = SEAL MONTH	
4: 2004	7: 2007	(USE ALPHA DESIGNATOR A-L)
5: 2005	8: 2008	A = JANUARY
6: 2006	9: 2009	B = FEBRUARY
		" " " " " " " " " " " "
		J = OCTOBER
		K = NOVEMBER
		L = DECEMBER



7. Ordering Codes

Atmel AT25320B Ordering Information

Ordering Code	Voltage	Package	Operation Range
AT25320B-SSHL-B ⁽¹⁾ (NiPdAu Lead Finish)	1.8V to 5.5V	8S1	Lead-free/Halogen-free/ Industrial Temperature (-40 to 85°C)
AT25320B-SSHL-T ⁽²⁾ (NiPdAu Lead Finish)	1.8V to 5.5V	8S1	
AT25320B-XHL-B ⁽¹⁾ (NiPdAu Lead Finish)	1.8V to 5.5V	8A2	
AT25320B-XHL-T ⁽²⁾ (NiPdAu Lead Finish)	1.8V to 5.5V	8A2	
AT25320B-MAHL-T ⁽²⁾ (NiPdAu Lead Finish)	1.8V to 5.5V	8MA2	
AT25320B-MEHL-T ⁽²⁾ (NiPdAu Lead Finish)	1.8V to 5.5V	8ME1	
AT25320B-CUL-T ⁽²⁾ (SnAgCu Ball Finish)	1.8V to 5.5V	8U2-1	
AT25320B-WWU11L ⁽³⁾	1.8V to 5.5V	Die Sale	Industrial Temperature (-40 to 85°C)

- Note:
1. Bulk delivery in tubes (SOIC and TSSOP 100/tube)
 2. Tape and reel delivery (SOIC 4k/reel. TSSOP, UDFN, XDFN and VFBGA 5k/reel)
 3. Contact Atmel Sales for Wafer sales

Package Type	
8S1	8-lead, 0.150" Wide, Plastic Gull Wing Small Outline (JEDEC SOIC)
8A2	8-lead, 4.4mm Body, Plastic Thin Shrink Small Outline Package (TSSOP)
8MA2	8-lead, 2.00mm x 3.00mm Body, 0.50mm Pitch, Ultra Thin, Dual No Lead Package (UDFN)
8ME1	8-lead (1.8mm x 2.2mm Body) Ultra Leadframe Land Grid Array (XDFN)
8U2-1	8-lead, 8.35mm x 3.73mm Body, 0.75mm Pitch, VFBGA Package (VFBGA)

Atmel AT25640B Ordering Information

Ordering Code	Voltage	Package	Operation Range
AT25640B-SSHL-B ⁽¹⁾ (NiPdAu Lead Finish)	1.8V to 5.5V	8S1	Lead-free/Halogen-free/ Industrial Temperature (-40 to 85°C)
AT25640B-SSHL-T ⁽²⁾ (NiPdAu Lead Finish)	1.8V to 5.5V	8S1	
AT25640B-XHL-B ⁽¹⁾ (NiPdAu Lead Finish)	1.8V to 5.5V	8A2	
AT25640B-XHL-T ⁽²⁾ (NiPdAu Lead Finish)	1.8V to 5.5V	8A2	
AT25640B-MAHL-T ⁽²⁾ (NiPdAu Lead Finish)	1.8V to 5.5V	8MA2	
AT25640B-MEHL-T ⁽²⁾ (NiPdAu Lead Finish)	1.8V to 5.5V	8ME1	
AT25640B-CUL-T ⁽²⁾ (SnAgCu Ball Finish)	1.8V to 5.5V	8U2-1	
AT25640B-WWU11L ⁽³⁾	1.8V to 5.5V	Die Sale	Industrial Temperature (-40 to 85°C)

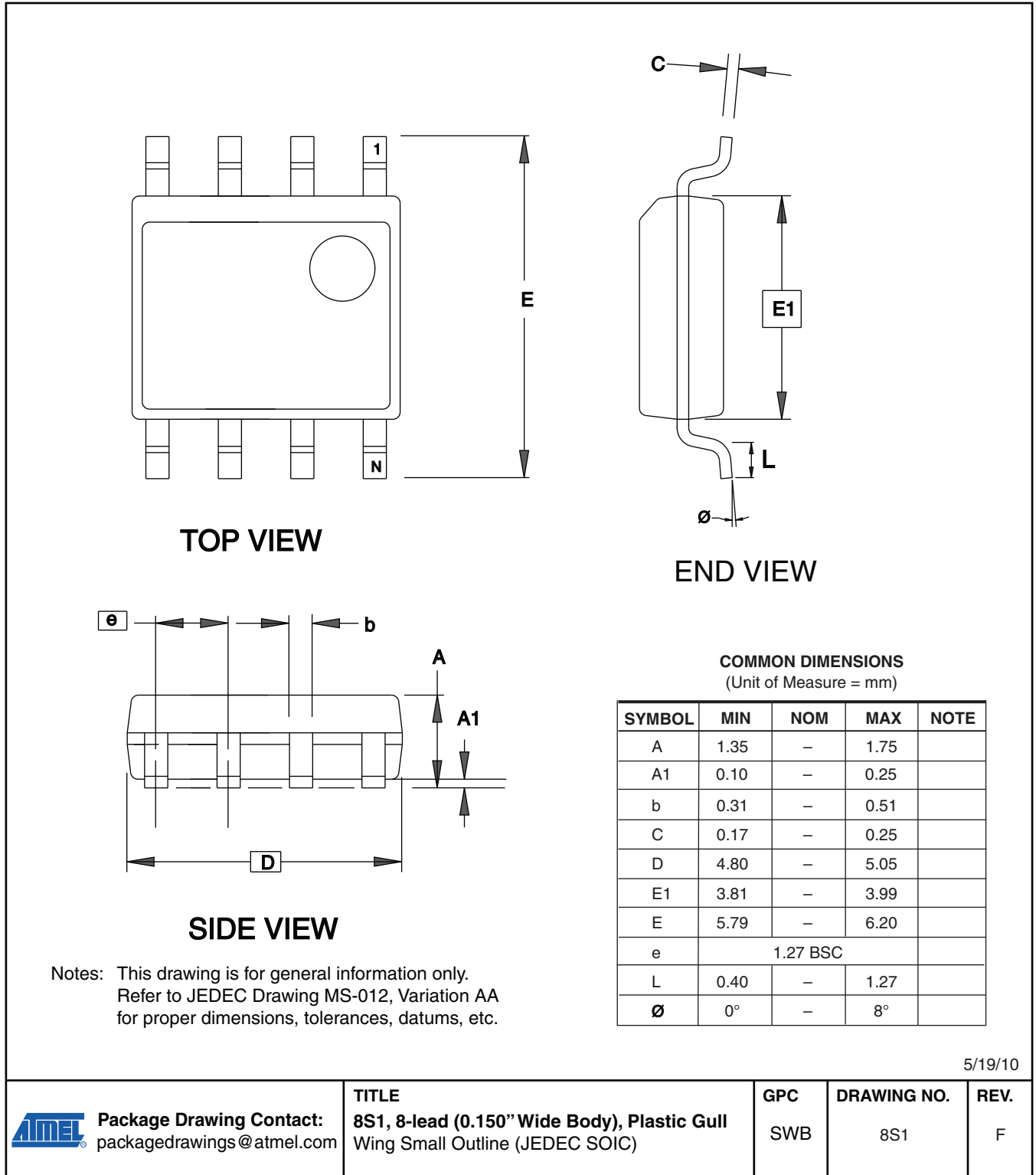
- Note:
1. Bulk delivery in tubes (SOIC and TSSOP 100/tube)
 2. Tape and reel delivery (SOIC 4k/reel. TSSOP, UDFN, XDFN and VFBGA 5k/reel)
 3. Contact Atmel Sales for Wafer sales

Package Type	
8S1	8-lead, 0.150" Wide, Plastic Gull Wing Small Outline (JEDEC SOIC)
8A2	8-lead, 4.4mm Body, Plastic Thin Shrink Small Outline Package (TSSOP)
8MA2	8-lead, 2.00mm x 3.00mm Body, 0.50mm Pitch, Ultra Thin Mini-MAP, Dual No Lead Package (UDFN), (MLP 2x3mm)
8ME1	8-lead (1.8mm x 2.2mm Body) Ultra Leadframe Land Grid Array (XDFN)
8U2-1	8-lead, 8.35mm x 3.73mm Body, 0.75mm Pitch, VFBGA Package (VFBGA)

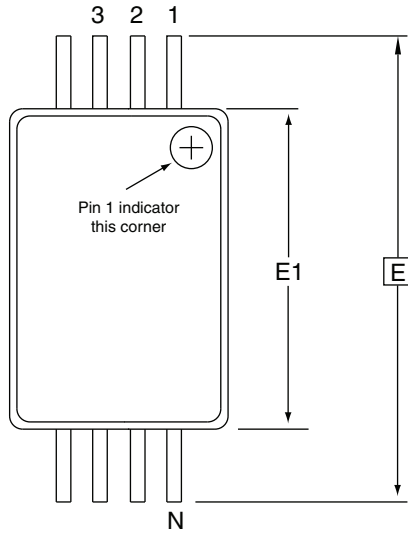


8. Packaging Information

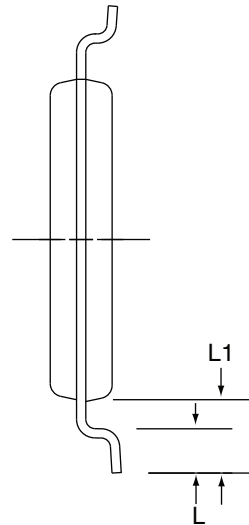
8S1 – JEDEC SOIC



8A2 – TSSOP



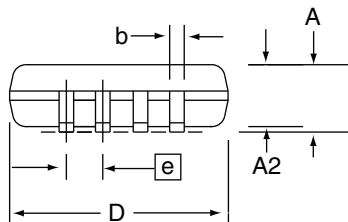
Top View



End View

COMMON DIMENSIONS (Unit of Measure = mm)

SYMBOL	MIN	NOM	MAX	NOTE
D	2.90	3.00	3.10	2, 5
E	6.40 BSC			
E1	4.30	4.40	4.50	3, 5
A	–	–	1.20	
A2	0.80	1.00	1.05	
b	0.19	–	0.30	4
e	0.65 BSC			
L	0.45	0.60	0.75	
L1	1.00 REF			



Side View

- Notes:
1. This drawing is for general information only. Refer to JEDEC Drawing MO-153, Variation AA, for proper dimensions, tolerances, datums, etc.
 2. Dimension D does not include mold Flash, protrusions or gate burrs. Mold Flash, protrusions and gate burrs shall not exceed 0.15 mm (0.006 in) per side.
 3. Dimension E1 does not include inter-lead Flash or protrusions. Inter-lead Flash and protrusions shall not exceed 0.25 mm (0.010 in) per side.
 4. Dimension b does not include Dambar protrusion. Allowable Dambar protrusion shall be 0.08 mm total in excess of the b dimension at maximum material condition. Dambar cannot be located on the lower radius of the foot. Minimum space between protrusion and adjacent lead is 0.07 mm.
 5. Dimension D and E1 to be determined at Datum Plane H.

5/19/10



Package Drawing Contact:
packagedrawings@atmel.com

TITLE

8A2, 8-lead 4.4mm Body, Plastic Thin
Shrink Small Outline Package (TSSOP)

GPC

TNR

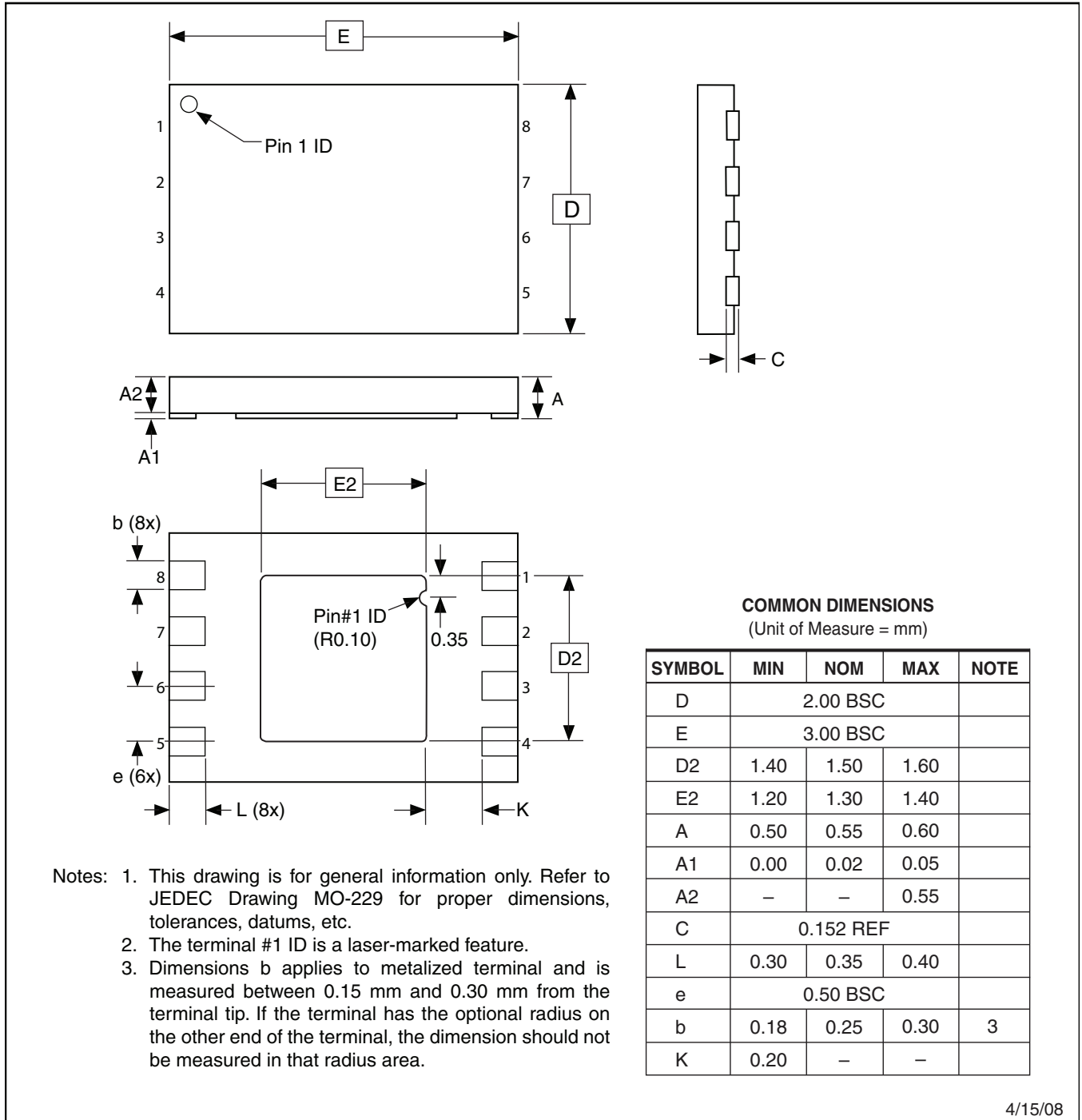
DRAWING NO.

8A2

REV.

E

8MA2 - UDFN



- Notes:
1. This drawing is for general information only. Refer to JEDEC Drawing MO-229 for proper dimensions, tolerances, datums, etc.
 2. The terminal #1 ID is a laser-marked feature.
 3. Dimensions b applies to metalized terminal and is measured between 0.15 mm and 0.30 mm from the terminal tip. If the terminal has the optional radius on the other end of the terminal, the dimension should not be measured in that radius area.

4/15/08



Package Drawing Contact:
packagedrawings@atmel.com

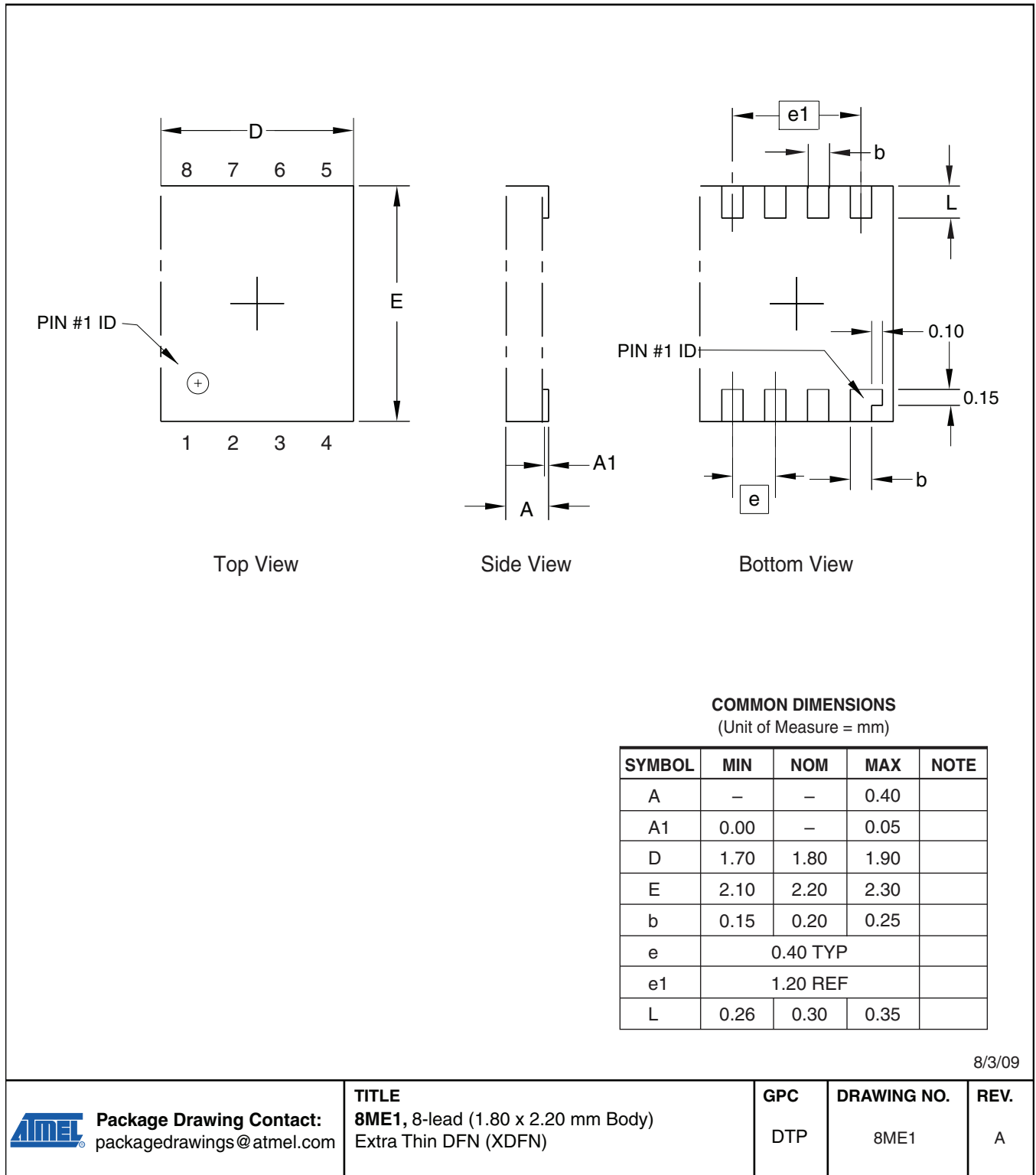
TITLE
8MA2, 8-pad, 2 x 3 x 0.6 mm Body, Thermally Enhanced Plastic Ultra Thin Dual Flat No Lead Package (UDFN)

GPC
YNZ

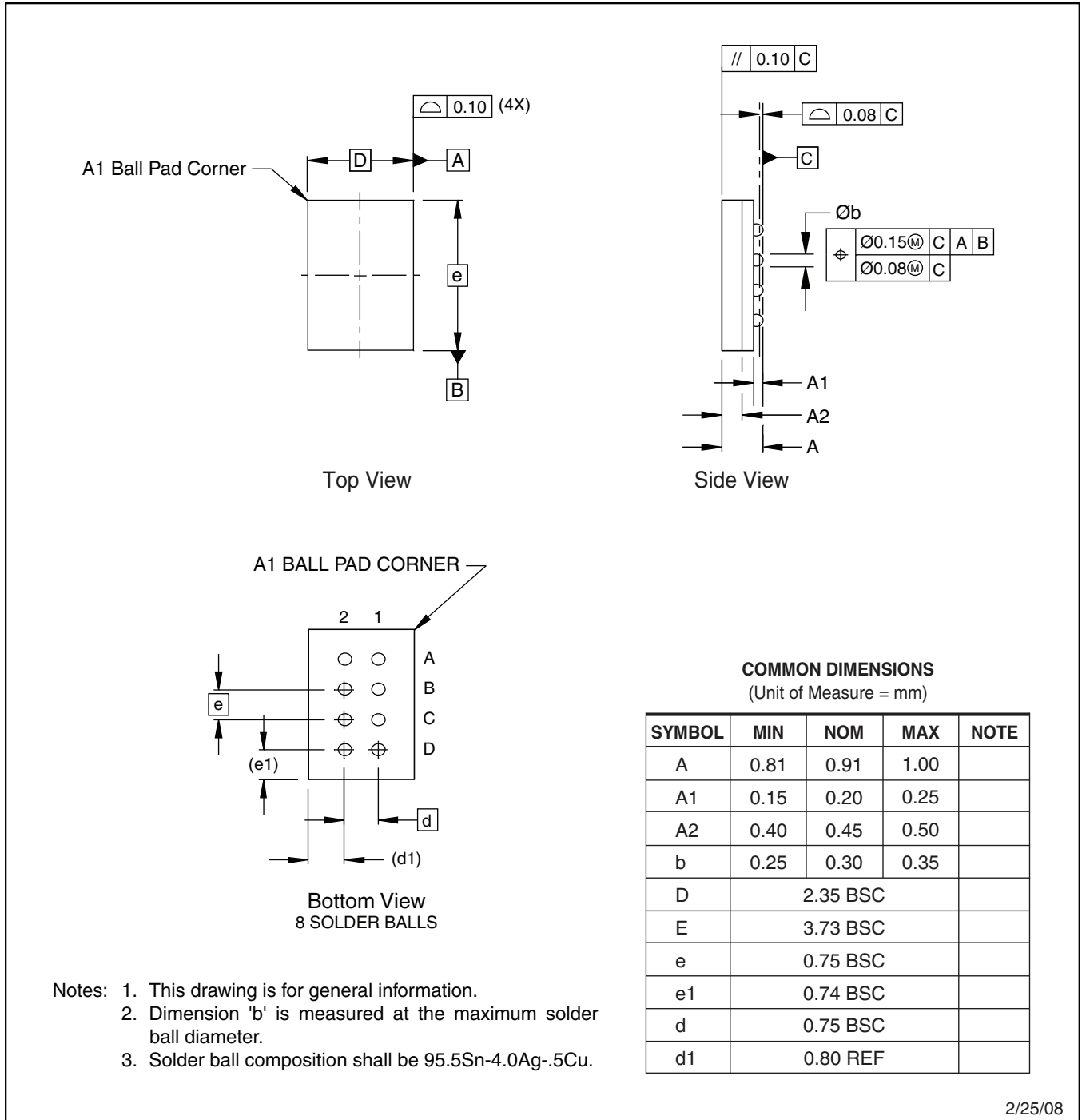
DRAWING NO.
8MA2

REV.
A

8ME1 - XDFN



8U2-1 - VFBGA



2/25/08

Package Drawing Contact: packagedrawings@atmel.com	TITLE 8U2-1 , 8 ball, 2.35 x 3.73 mm Body, 0.75 mm pitch, VFBGA Package (dBGA2)	GPC GWW	DRAWING NO. 8U2-1	REV. C

9. Revision History

Doc. Rev.	Date	Comments
8535F	6/2010	Update 8A2 and 8S1 package drawings Remove Preliminary
8535E	4/2010	Update Ordering Code Detail, Ordering Information, template
8535D	8/2009	Change Catalog Numbering Add new Part Marking Information
8535C	5/2009	Add Part Marking information; changed to Preliminary status.
8535B	7/2008	Modify 'Endurance' parameter on page 6.
8535A	4/2008	Initial document release.



Headquarters

Atmel Corporation
2325 Orchard Parkway
San Jose, CA 95131
USA
Tel: 1(408) 441-0311
Fax: 1(408) 487-2600

International

Atmel Asia
Unit 1-5 & 16, 19/F
BEA Tower, Millennium City 5
418 Kwun Tong Road
Kwun Tong, Kowloon
HONG KONG
Tel: (+852) 2245-6100
Fax: (+852) 2722-1369

Atmel Europe
Atmel Munich GmbH
Business Campus, Parkring 4
D-85748 Garching bei Munich
GERMANY
Tel: (+49) 89-31970-0
Fax: (+49) 89-31946-21

Atmel Japan
9F, Tonetsu Shinkawa Bldg.
1-24-8 Shinkawa
Chuo-ku, Tokyo 104-0033
JAPAN
Tel: (+81) 3-3523-3551
Fax: (+81) 3-3523-7581

Product Contact

Web Site
www.atmel.com

Technical Support
s_eeprom@atmel.com

Sales Contact
www.atmel.com/contacts

Literature Requests
www.atmel.com/literature

Disclaimer: The information in this document is provided in connection with Atmel products. No license, express or implied, by estoppel or otherwise, to any intellectual property right is granted by this document or in connection with the sale of Atmel products. **EXCEPT AS SET FORTH IN ATMEL'S TERMS AND CONDITIONS OF SALE LOCATED ON ATMEL'S WEB SITE, ATMEL ASSUMES NO LIABILITY WHATSOEVER AND DISCLAIMS ANY EXPRESS, IMPLIED OR STATUTORY WARRANTY RELATING TO ITS PRODUCTS INCLUDING, BUT NOT LIMITED TO, THE IMPLIED WARRANTY OF MERCHANTABILITY, FITNESS FOR A PARTICULAR PURPOSE, OR NON-INFRINGEMENT. IN NO EVENT SHALL ATMEL BE LIABLE FOR ANY DIRECT, INDIRECT, CONSEQUENTIAL, PUNITIVE, SPECIAL OR INCIDENTAL DAMAGES (INCLUDING, WITHOUT LIMITATION, DAMAGES FOR LOSS OF PROFITS, BUSINESS INTERRUPTION, OR LOSS OF INFORMATION) ARISING OUT OF THE USE OR INABILITY TO USE THIS DOCUMENT, EVEN IF ATMEL HAS BEEN ADVISED OF THE POSSIBILITY OF SUCH DAMAGES.** Atmel makes no representations or warranties with respect to the accuracy or completeness of the contents of this document and reserves the right to make changes to specifications and product descriptions at any time without notice. Atmel does not make any commitment to update the information contained herein. Unless specifically provided otherwise, Atmel products are not suitable for, and shall not be used in, automotive applications. Atmel's products are not intended, authorized, or warranted for use as components in applications intended to support or sustain life.

© 2010 Atmel Corporation. All rights reserved.

Atmel®, Atmel logo and combinations thereof, and others, are registered trademarks or trademarks of Atmel Corporation or its subsidiaries. Other terms and product names may be trademarks of others.