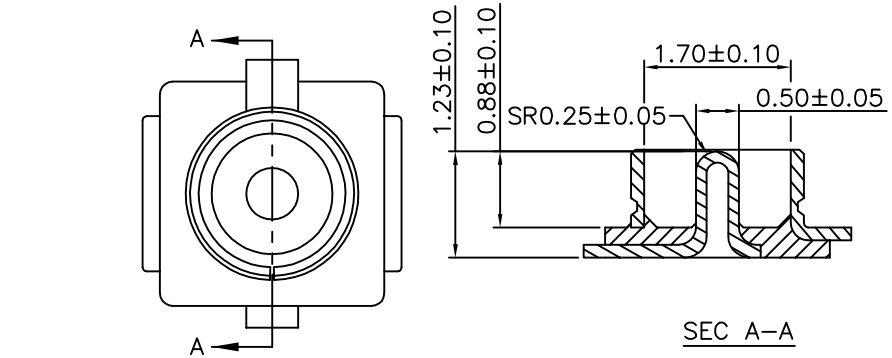
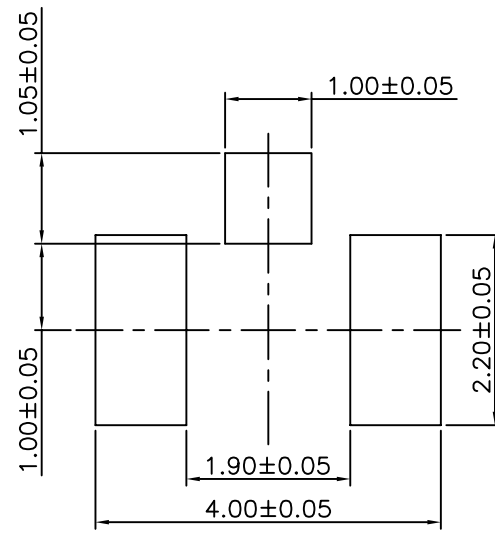
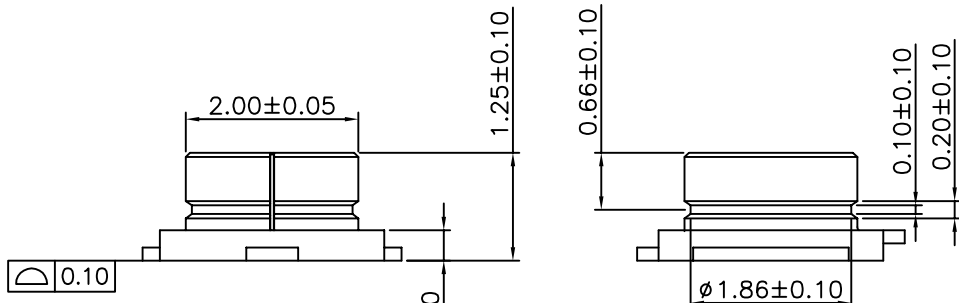


- NOTES: UNLESS OTHERWISE SPECIFIED
1. ALL DIMENSION ARE IN MILLIMETER
  2. DIMENSION SHALL BE INTERPRETED PER ASME Y14.5-2009
  3. MATERIALS ARE SHOWN ON DRAWING: 307-0500-1393  
HOUSING: THERMOPLASTIC, UL 94V-0 RATING  
CONTACT:MATERIAL: COPPER ALLOY;  
PALTING:NICKEL UNDER PLATING,GOLD PLATING ON SOLDER AREA AND CONTACT AREA  
METAL SHELL:MATERIAL: COPPER ALLOY;  
PLATING:NICKEL UNDER PLATING,GOLD PLATING ON SOLDER AREA AND CONTACT AREA;  
OR SILVER PLATING OVER ALL.
  4. PRODUCT NO. MATRIX: SEE 307-0500-1393
  5. SPEC. OF PRODUCT PLEASE REFER TO FOXCONN DWG :307-0300-1393
  6. THE CONCENTRATIONS OF Br&Cl CAN SATISFY THE REQUIREMENT OF HALOGEN-FREE IN DOCMENT "EPI12".

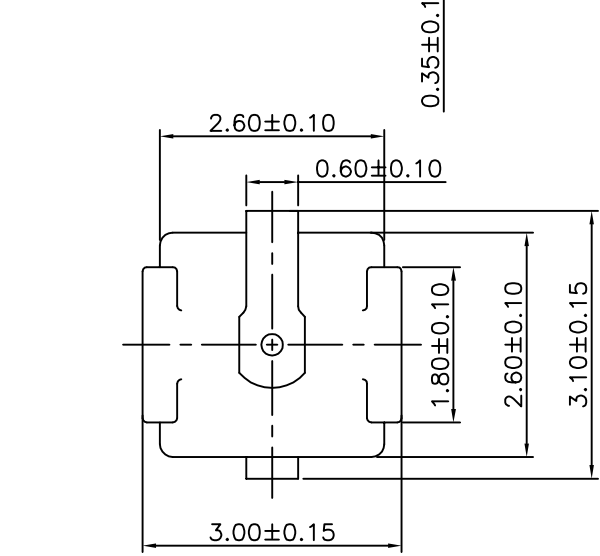
REV.	ECN. NO.	APPD.
A	BC-07-7064499	Yusan
B	BC-11-0138343	Yihsin Chen
C	BC-13-0002612	Shih-wei Hsiao
D	BC-14-0034449	Shih-wei Hsiao



SEC A-A



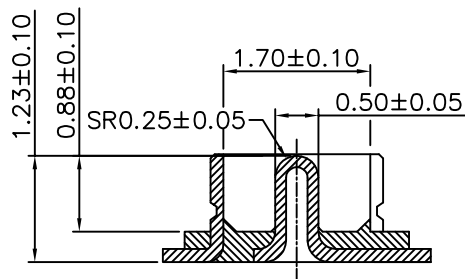
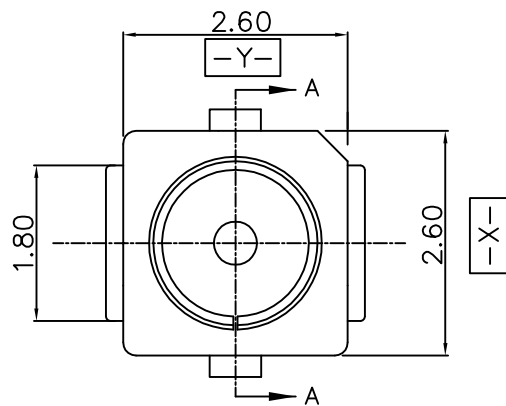
RECOMMENDED P.C.B. LAYOUT



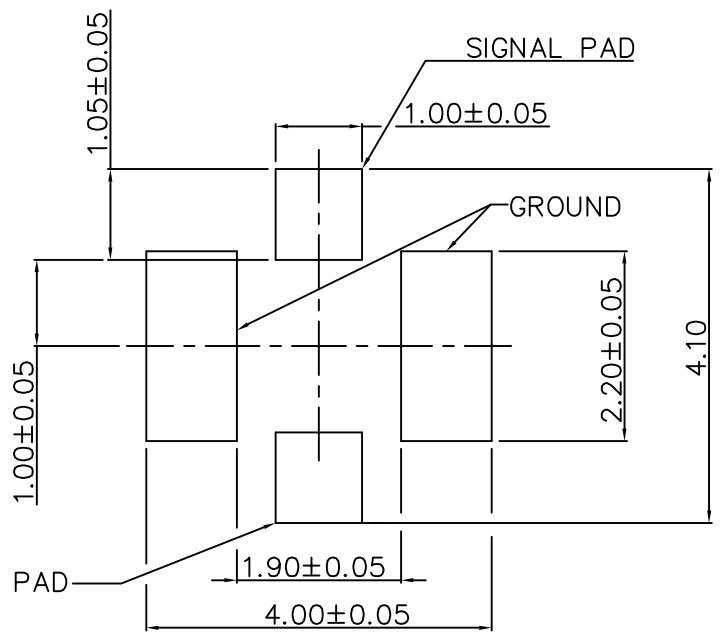
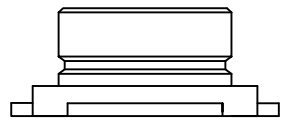
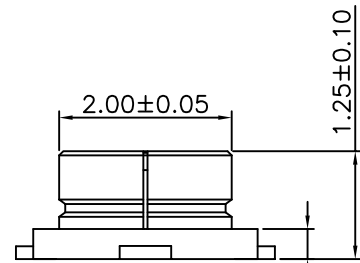
X.±	X°.±	UNITS	mm	NAME(INTENDED USE)	<b>FOXCONN®</b> FOXCONN INTERCONNECT TECHNOLOGY LIMITED
.X± 0.2	.X°.±	MAT'L		RF HEADER	
.XX± 0.1	.XX°.±			PART NO.(INTENDED USE)	CLASS: <input type="checkbox"/> CONFIDENTIAL <input type="checkbox"/> SECRET <input checked="" type="checkbox"/> GENERAL
.XXX±	.XXX°.±	FINISH		KK23 SERIES	TITLE: CUST DWG.RF HEADER
THESE DRAWINGS AND SPECIFICATIONS ARE THE PROPERTY OF FOXCONN INTERCONNECT TECHNOLOGY LIMITED AND SHALL NOT BE REPRODUCED, COPIED OR USED IN ANY MANNER WITHOUT THE PRIOR WRITTEN CONSENT OF FOXCONN INTERCONNECT TECHNOLOGY LIMITED.				APPD: Shih-wei Hsiao	DWG NO.: 307-0000-1393
				Q'TY	CHKD: Wolfe Liu

P/N KK2301\*-0/3/4\*-7\*

REV.	ECN.	NO.	APPD.

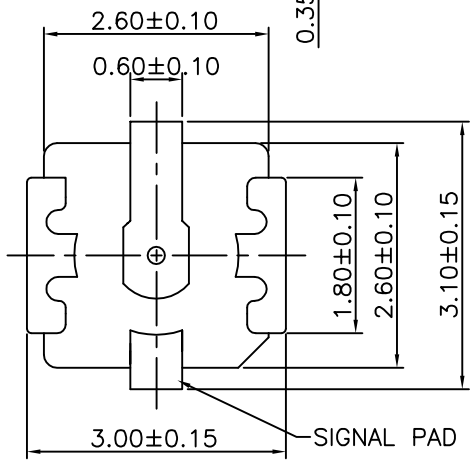


SECTION A-A



THIS GROUND PAD IS OPTIONAL

RECOMMENDED P.C.B. LAYOUT

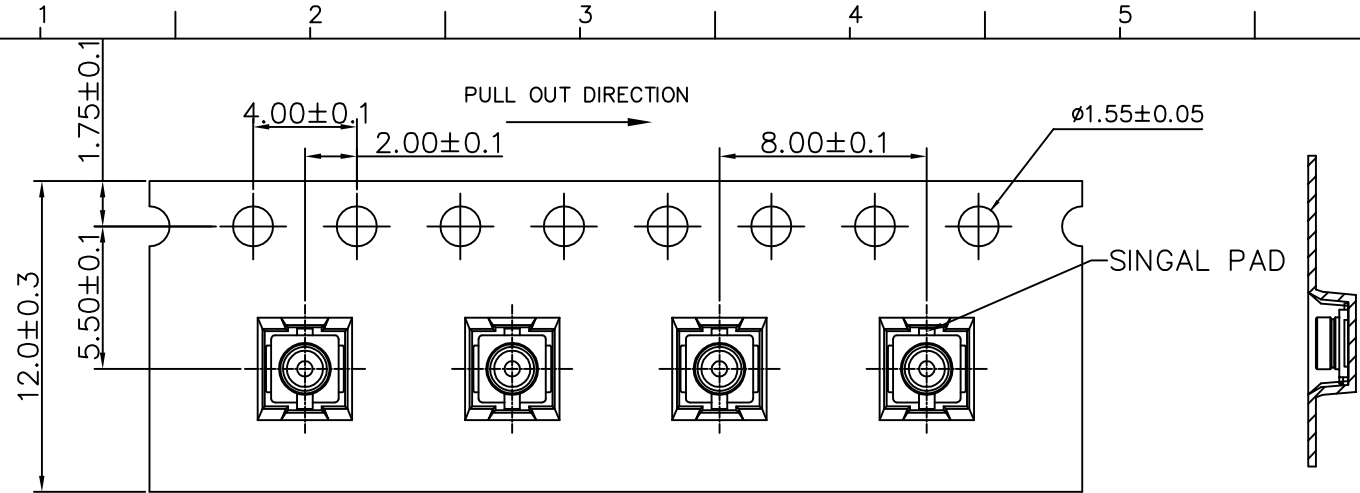


SIGNAL PAD

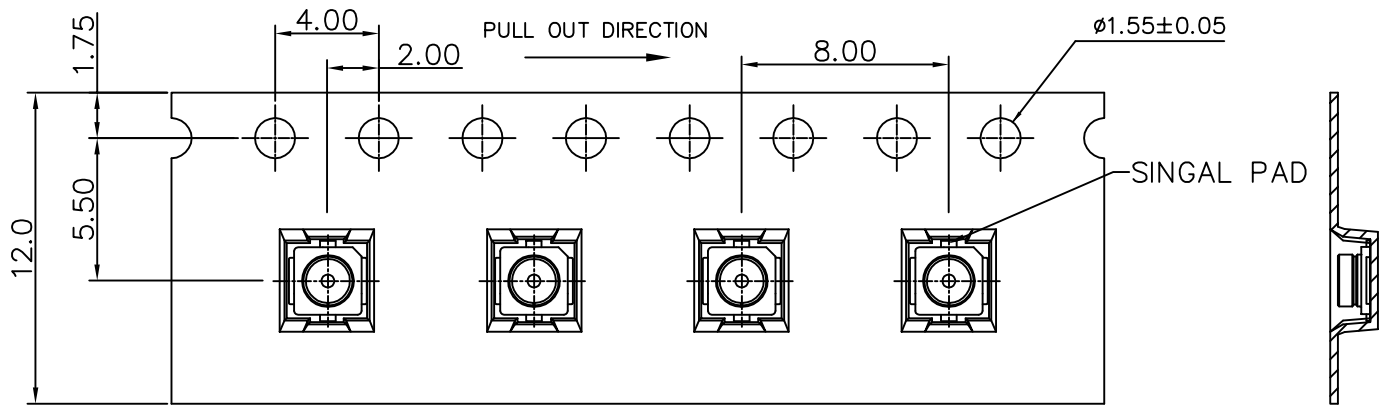
X.±	x°.±	UNITS	mm	NAME(INTENDED USE)	<b>FOXCONN®</b> FOXCONN INTERCONNECT TECHNOLOGY LIMITED
.X± 0.2	.X°±	MAT'L		RF HEADER	
.XX± 0.1	.XX°±			PART NO.(INTENDED USE)	CLASS: <input type="checkbox"/> CONFIDENTIAL <input type="checkbox"/> SECRET <input checked="" type="checkbox"/> GENERAL
.XXX±	.XXX°±	FINISH		KK23 SERIES	TITLE: CUST DWG.RF HEADER
THESE DRAWINGS AND SPECIFICATIONS ARE THE PROPERTY OF FOXCONN INTERCONNECT TECHNOLOGY LIMITED AND SHALL NOT BE REPRODUCED, COPIED OR USED IN ANY MANNER WITHOUT THE PRIOR WRITTEN CONSENT OF FOXCONN INTERCONNECT TECHNOLOGY LIMITED.				APPD: Shih-wei Hsiao	DWG NO.: 307-0000-1393
				Q'TY	CHKD: Wolfe Liu

P/N KK2301\*-1\*-7\*

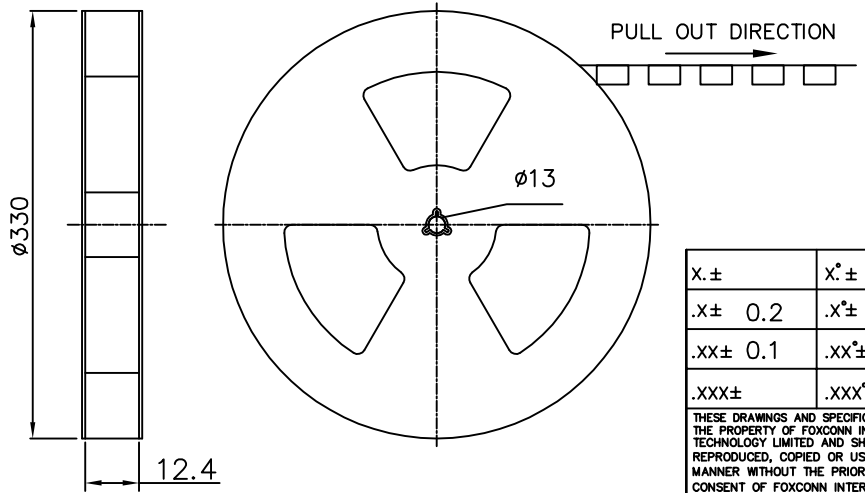
REV.	ECN.	NO.	APPD.



PACKAGE FOR OTHERS  
WITH 3 PAD



PACKAGE FOR KK2301\*-1\*-7\*  
WITH 4 PAD

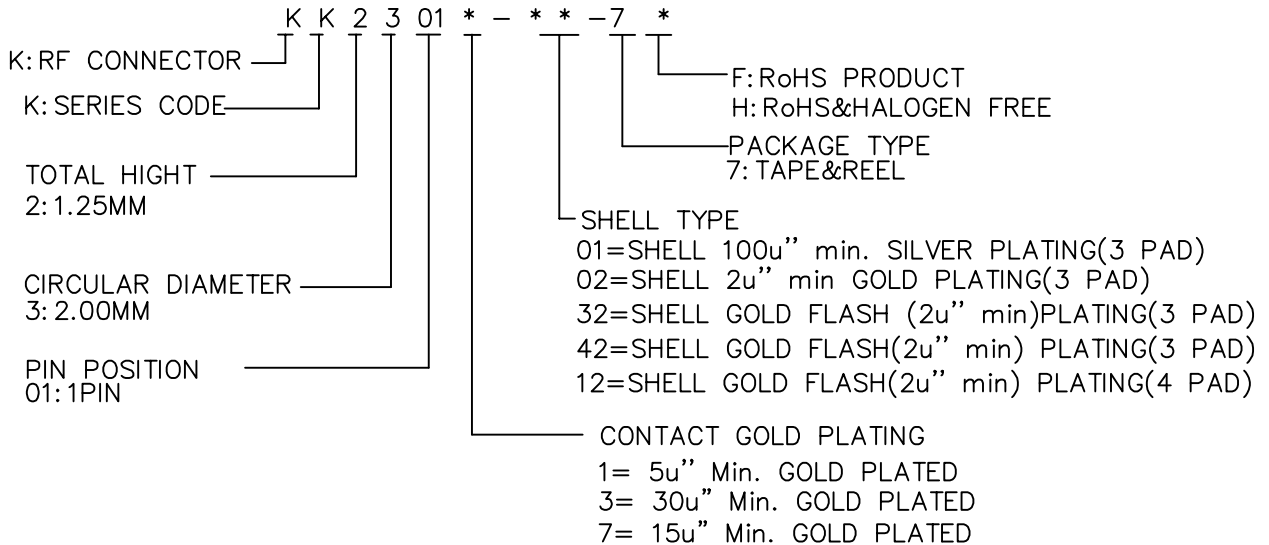


X.±	X°.±	UNITS	mm	NAME(INTENDED USE)	<b>FOXCONN</b> FOXCONN INTERCONNECT TECHNOLOGY LIMITED	
.X± 0.2	.X°.±	MAT'L		RF HEADER		
.XX± 0.1	.XX°.±			PART NO.(INTENDED USE)	CLASS: <input type="checkbox"/> CONFIDENTIAL <input type="checkbox"/> SECRET <input checked="" type="checkbox"/> GENERAL	
.XXX±	.XXX°.±	FINISH		KK23 SERIES	TITLE: CUST DWG.RF HEADER	
THESE DRAWINGS AND SPECIFICATIONS ARE THE PROPERTY OF FOXCONN INTERCONNECT TECHNOLOGY LIMITED AND SHALL NOT BE REPRODUCED, COPIED OR USED IN ANY MANNER WITHOUT THE PRIOR WRITTEN CONSENT OF FOXCONN INTERCONNECT TECHNOLOGY LIMITED.				APPD: Shih-wei Hsiao	DWG NO.: 307-0000-1393	
				Q'TY	CHKD: Wolfe Liu	SCALE SHEET REV. 12:1 3/3 D
					DR: Zhili Fu 7/14'14	

ITEM	DESCRIPTION	Q'TY	MATERIAL	TREATMENT	REMARK
①	HOUSING	1	LCP, UL 94V-0	MOLDED IVORY COLOR	
②	CONTACT	1	BRASS	A) NICKEL PLATING OVER ALL THICKNESS : 50u"~150u". B) GOLD PLATING SEE NOTES BELOW	
③	SHELL	1	PHOSPHOR BRONZE	SHELL PLATING SEE NOTES BELOW	

NOTES:

1. PRODUCT NO. MATRIX :



2. HARMFUL MATERIAL PLEASE FOLLOWING FOXCONN DOC."EPI12".

3. PLEASE CONTACT FOXCONN SALES REPRESENTATIVE TO VERIFY PRODUCT DETAIL & AVAILABILITY.

4. THE CONCENTRATIONS OF Br&Cl CAN SATISFY THE REQUIREMENT OF HALOGEN-FREE IN DOCUMENT "EPI12".

**FOXCONN**<sup>®</sup>

FOXCONN INTERCONNECT TECHNOLOGY LIMITED.

D	BC-14-0034535	Shihwei Hsiao
C	BC-11-0138447	Yihsin Chen
B	BC-09-7010511	Yusan
A	BC077064504	Yusan
REV.	ECN NO.	APPD.

APPD. : Shih-wei Hsiao	CLASS: <input type="checkbox"/> CONFIDENTIAL <input type="checkbox"/> SECRET <input checked="" type="checkbox"/> GENERAL
CHKD. : Wolfe Liu	TITLE : MATERIAL SHEET
DR. : Zhili Fu 7/15'14	PROD. SERIES : KK23 SERIES
	DWG. NO : 307-0300-1393
	REV. : D
	SHEET : 1/1

# PRODUCT SPECIFICATIONS :

## 1. MATERIAL AND FINISH :

### 1-1. HOUSING :

LCP , UL94V-0 , COLOR IVORY

### 1-2. CONTACT :

BRASS,50u"~150u" NICKEL UNDER PLATING,  
GOLD PLATING ON SOLDER AREA AND CONTACT AREA

### 1-3. METAL SHELL :

PHOSPHOR BRONZE.  
50u" MIN NICKEL UNDER PLATING ,  
GOLD PLATING ON SOLDER AREA AND CONTACT AREA.  
OR 30u" Min COPPER UNDER PLATING,  
100u"~150u" SILVER PLATING OVER ALL.

## 2. RATINGS :

2-1. VOLTAGE RATING : 60V AC

2-2. CURRENT RATING :1 Amp MAX.

## 3. ELECTRICAL :

3-1. IMPEDANCE: 50Ω,NOMINAL

3-2. FREQUENCY RANGE: 0-3GHz(VSWR 1.3MAX)  
3-6GHz(VSWR 1.5MAX)

3-3. OPERATING VOLTAGE: 500VRMS

3-4. CONTACT RESISTANCE: CENTER CONTACT: 20mΩ MAX.  
OUTER CONTACT: 10mΩ MAX.

3-5. DIELECTRIC WITHSTANDING VOLTAGE : 200 VAC.

3-6. INSULATION RESISTANCE : 500 MEGAOHMS MIN. AT 100 VDC.

## 4. MECHANICAL:

4-1. CONTACT RETENTION FORCE: 1.5N MIN.

4-2. MATING FORCE : 40N Max..

4-3. UNMATING FORCE WITH FOXCONN CABLE END CONN.: 3N~25N.

4-4. CONNECTOR SHEAR FORCE TO PCBA(PEELING FORCE): 40N Min.

4-5. DURABILITY: 30 CYCLES

## 5. ENVIRONMENTAL:

5-1. OPERATING TEMPERATURE : -40°C TO +105°C.

5-2. HARMFUL MATERIAL PLEASE FOLLOW DOC. NO."EPI12".

## 6. PLEASE CONTACT FOXCONN SALES REPRESENTATIVE TO VERIFY PRODUCT DETAILS&AVAILABILITY.

## 7. THE CONCENTRATIONS OF Br&Cl CAN SATISFY THE REQUIREMENT OF HALOGEN-FREE IN DOCUMENT "EPI12".

**FOXCONN®**

FOXCONN INTERCONNECT TECHNOLOGY LIMITED.

APPD. :  
Shih-wei Hsiao

CLASS:  
CONFIDENTIAL SECRET GENERAL

CHKD. :  
Wolfe Liu

TITLE : SPECIFICATION,

PROD. SERIES : KK23 SERIES

DR. :  
Zhili Fu 7/15'14

DWG. NO : 307-0500-1393

REV. : C

SHEET : 1/1

C	BC-14-0034553	Shihwei Hsiao
B	BC-11-0138397	Yihsin Chen
A	BC077064504	Yusan
REV.	ECN NO.	APPD.