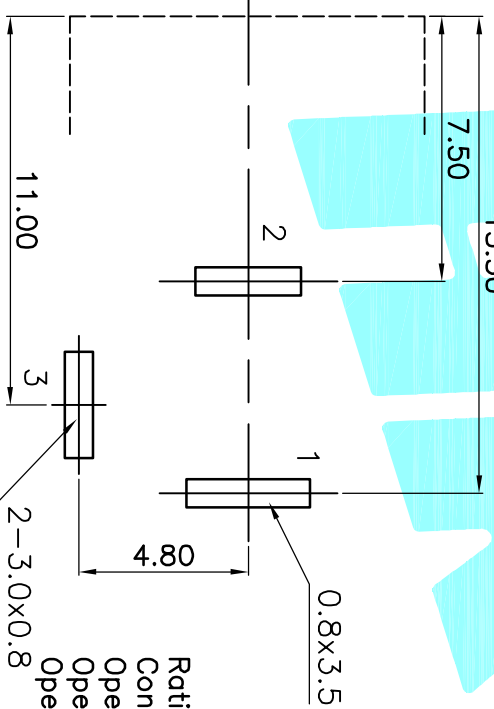


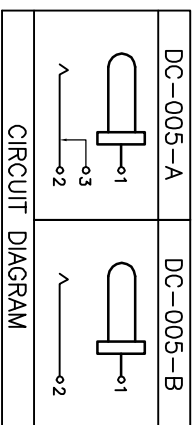
DC MATE PLUG

P.C.B LAYOUT (Copper-side view)



Rating: 0.5A 30V DC  
 Contact Resistance: 100 mΩ Max.  
 Operating temperature: -20°C ~ 70°C  
 Operating force: 3-20N  
 Operating Life: 5,000 cycles

Model No.	1	2	3
PIN	φ2.0	φ2.35	φ2.5



② Terminal	3	Phosphor bronze	Ag Plating
① Housing	1	Nylon	Black
ITEM PART NAME	TERN.O.	QTY.	MATERIAL FINISHING
APPROVALS		DATE	REMARK
DRAWN	J.X.Zhang	2013/11/11	
ELECTRONICS CO.,LTD			
PHONE JACKES			



ECN NO.	REV.	DATE.	DESCRIPTION.	CHANGE.	CHECK.	APPRO.
	A		NEW			
TOLERANCES ARE			30 <sup>±0.15</sup>	±0.30	ANGLE	PART NO.
			10 <sup>±0.10</sup>	±0.20		DC-005
			5 <sup>±0.05</sup>	±0.15	±Z'	SCALE: 1:1
						PROJ. SHEET 1 OF 1