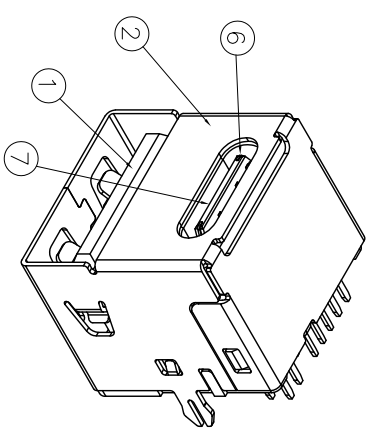
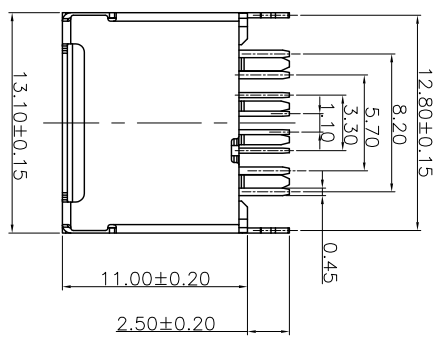
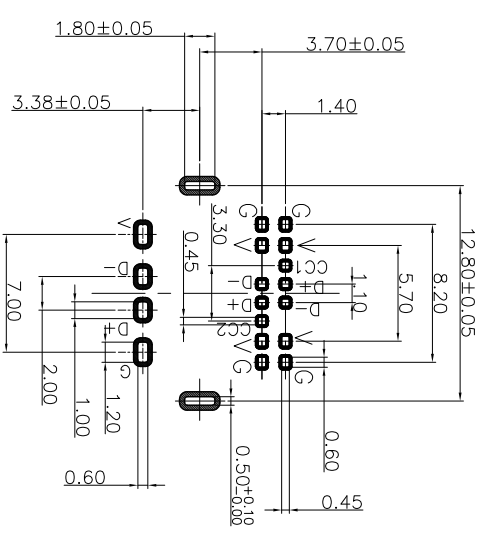
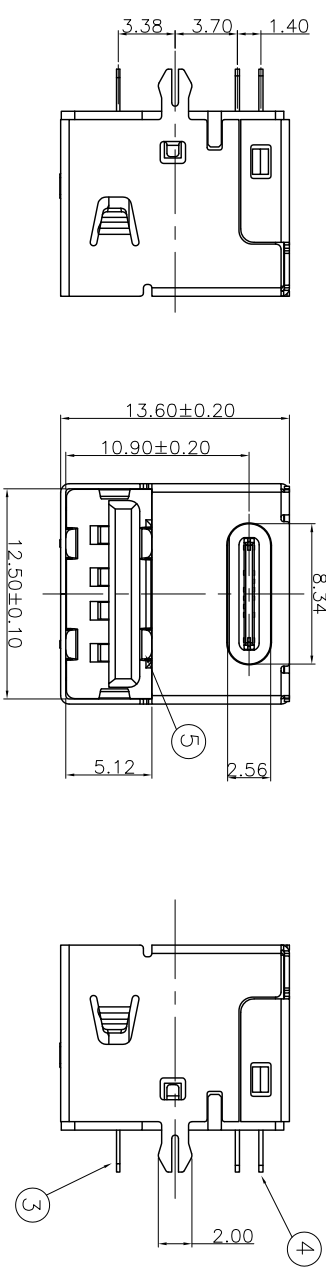


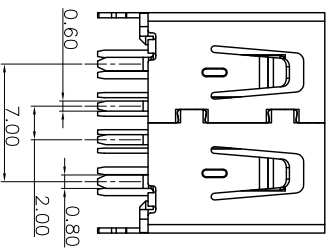
| | | |
|------|--------------|------|
| MAPX | MODIFICATION | DATE |
|------|--------------|------|



| NO. | DESCRIPTION | MATERIAL | COLOR | REMARK |
|-----|-----------------|-----------------|-------|-------------|
| 7 | TYPE C MD | HIGH TEMP | BLACK | UL 94V-0 |
| 6 | CENTER PIECE | STAINLESS STEEL | — | NO Plated |
| 5 | TYPE C TERMINAL | COPPER ALLOY | — | Gold Plated |
| 4 | CLIP | — | — | Ni Plated |
| 3 | USB TERMINAL | COPPER ALLOY | — | Gold Plated |
| 2 | SHELL | — | — | Ni Plated |
| 1 | HOUSING | HIGH TEMP | BLACK | UL 94V-0 |



Recommended P.C.B Layout
Tolerance: ±0.05



产品图

深圳市精拓金电子有限公司

| | | | | | |
|----------------------------|------------|---------|------------|-------------------|-----|
| 公差一览表 | | 制图 | | 制图料号 | |
| TOLERANCE UNLESS OTHERWISE | | DRAWING | | PRODUCT PART NO. | |
| X | ±0.35 | X | ±5° | TYPE C母座14PIN与USB | |
| X | ±0.30 | X | ±2° | 2.0母座面插二合一 | |
| XX | ±0.20 | XX | ±1° | | |
| XXX | ±0.10 | XXX | ±0.5° | | |
| UNIT | MM | DATE | 2016-09-09 | 角法 | 版本 |
| SCALE | 1:1 | 核推 | 黄国荣 | VIEW | VER |
| DATE | 2016-09-09 | APPD | | | AD |

1 2 3 4 5 6 7 8 9 10

A B C D E F G