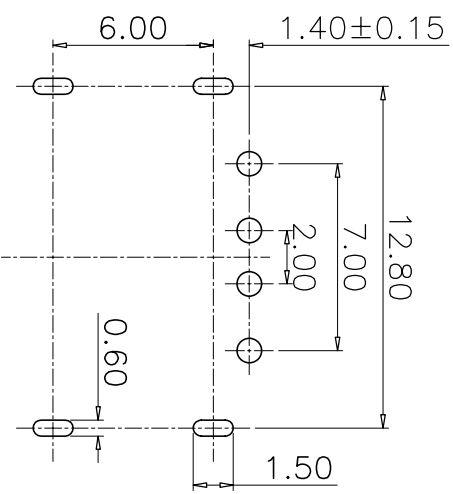
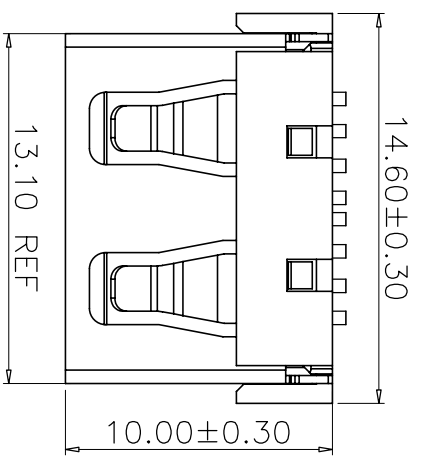
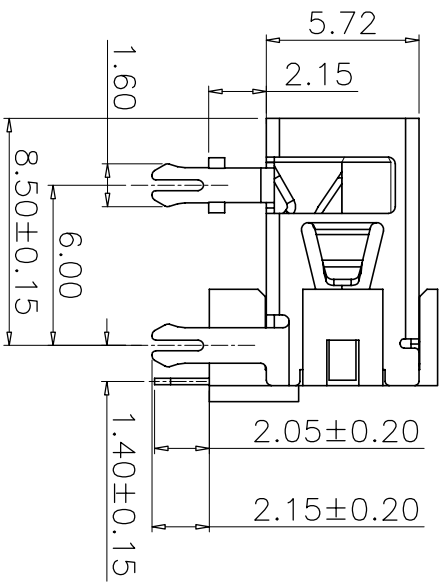
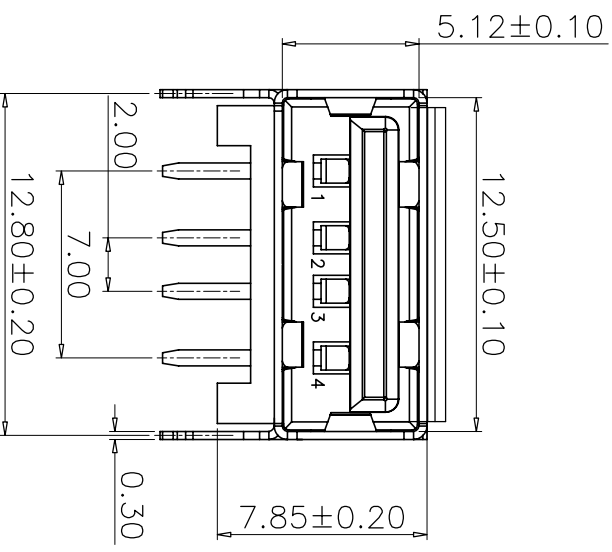


MAPX	MODIFICATION	DATE
------	--------------	------



PCB HOLES(THE PATTERN SIDE) t=1.6mm  
NOTE:GENERAL TOLERANCE:±0.1mm



- NOTES:
- HOUSING: SEE NOTES, TERMINAL: SEE NOTES, SHELL: SEE NOTES.
  - MECHANICAL CHARACTERISTIC: INSERTION FORCE: 35N(3.57KGF) MAX EXTRACTION FORCE: 10~35N(1.02~3.57KGF) MIN DURABILITY: 1500 CYCLES EXTRACTION FORCE: 10~35N 5000 CYCLES MIN 5000 CYCLES EXTRACTION FORCE: 3~35N
  - ENVIRONMENTAL: OPERATING TEMPERATURE: -55°C+85°C
  - Contact finish:
    - Selective Gold Flash
    - Selective Gold 3U"
    - Selective Gold 5U"
    - Selective Gold 15U"
    - Selective Gold 30U"

产品图  
PRODUCT CHART DWG

深圳市精拓金电子有限公司

公差一览表		单位	MM	制图	Z-Y-B	制图料号	
TOLERANCE UNLESS OTHERWISE		UNITS	MM	DRAWING		PRODUCT PART NO.	
X ±0.25 X ±5.°		SCALE	1:1	审核		产品名称	USB A/F /90° /DIP/10.0mm
X ±0.20 X ±2.°		比例		CHD		PRODUCT NO.	
XX ±0.15 XX ±1.°		日期	2015.02.04	核准		角注	
XXX ±0.10 XXX ±0.5°		DATE		APPD		版本	A0

G 1 2 3 4 5 6 7 8 9 10 G  
F E D C B A  
F E D C B A