

MAPX	MODIFICATION	DATE
------	--------------	------

NOTES:  
 1. HOUSING: SEE NOTES, TERMINAL: SEE NOTES, SHELL: SEE NOTES.

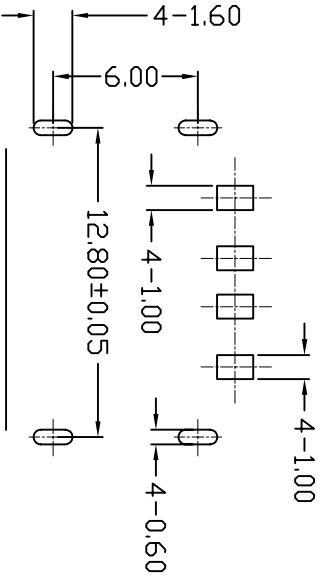
1. ELECTRICAL CHARACTERISTIC:  
 CONTACT RESISTANCE: 30MΩ MAX  
 DIELECTRIC WITHSTANDING VOLTAGE: 500V AC FOR 1MIN  
 INSULATION RESISTANCE: 1000MΩ MIN

2. MECHANICAL CHARACTERISTIC:  
 INSERTION FORCE: 35N(3.57KG) MAX  
 EXTRACTON FORCE: 10~35N(1.02~3.57KG) MIN  
 DIRABILITY: 1500 CYCLES EXTRACTON FORCE:10~35N  
 5000 CYCLES MIN

3. ENVIRONMENTAL:  
 OPERATING TEMPERATURE: -55°C+85°C

4. Contact finish:

- 01:Selective Gold Flash
- 02:Selective Gold 3U"
- 03:Selective Gold 5U"
- 04:Selective Gold 15U"
- 05:Selective Gold 30U"



FRONT EDGE OF CONNECTOR  
 PCB LAYOUT (T=1.60mm)

# 深圳市精拓金电子有限公司

产品图 PRODUCT CHART DWG 公差一览表 TOLERANCE UNLESS OTHERWISE		单位 UNITS MM		制图 DRAWING Z-Y-B		制图料号 PRODUCT PART NO. JTJ-USB-10.6-001	
X	±0.15	X	±5°				
X	±0.10	X	±2°				
XX	±0.05	XX	±1°				
XXX	±0.03	XXX	±0.5°				
DATE	2012.09.24	DATE	2012.09.24	审核	核准	角注	版本
				APRD		VIEW	VER
							AD