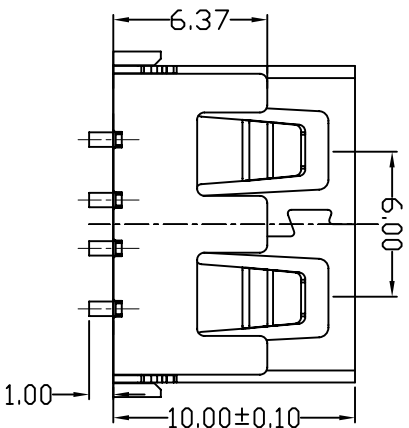
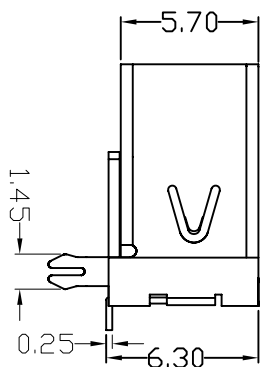
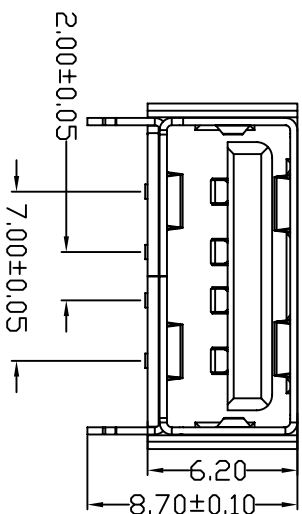
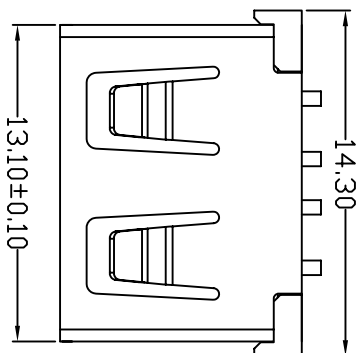


D款, 正向10.0后两脚, SMT-*6.20



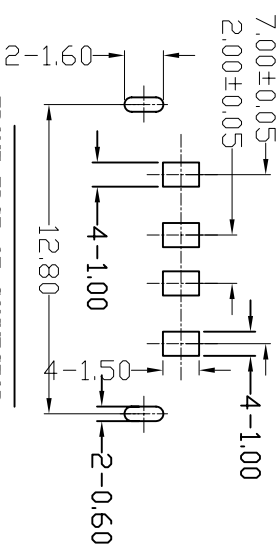
MAPX	MODIFICATION	DATE
------	--------------	------

NOTES:
 1. HOUSING: SEE NOTES, UL94V-0.
 TERMINAL: SEE NOTES.
 SHELL: SEE NOTES.

SPECIFICATION:
 1. ELECTRICAL CHARACTERISTIC:
 CONTACT RESISTANCE: 30MΩ MAX
 DIELECTRIC WITHSTANDING VOLTAGE: 500V AC FOR 1MIN
 INSULATION RESISTANCE: 1000MΩ MIN
 2. MECHANICAL CHARACTERISTIC:
 INSERTION FORCE: 35N(3.57KGF) MAX
 EXTRACTION FORCE: 10~35N(1.02~3.57KGF)MIN
 DURABILITY: 1500 CYCLES EXTRACTION FORCE:10~35N
 5000 CYCLES MIN

3. ENVIRONMENTAL:
 OPERATING TEMPERATURE: -55°C+85°C

4. Contact finish:
 01: Selective Gold Flash
 02: Selective Gold 3U"
 03: Selective Gold 5U"
 04: Selective Gold 15U"
 05: Selective Gold 30U"



FRONT EDGE OF CONNECTOR
 PCB LAYOUT (T=1.60mm)

产品图

深圳市精拓金电子有限公司

公差一览表		单位		制图		制图料号	
TOLERANCE UNLESS OTHERWISE		UNITS		DRAWING		PRODUCT PART NO.	
X	±0.15	X	±5°	MM	Z-Y-B	JTJ-1USB-10.0-002	
X	±0.10	X	±2°	比例	审核	产品名称	
XX	±0.05	XX	±1°	1:1	CHD	USB A/F 10.0无边后两脚鱼叉(方弹)	
XXX	±0.03	XXX	±0.5°	日期	核准	角法	
				2012.09.24	APPD	VER	
						版本	
						AD	

1 2 3 4 5 6 7 8 9 10