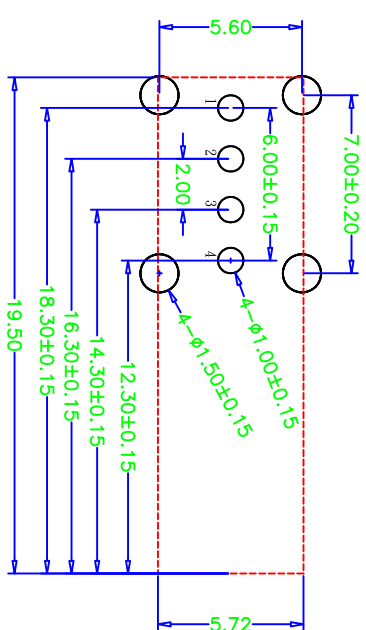
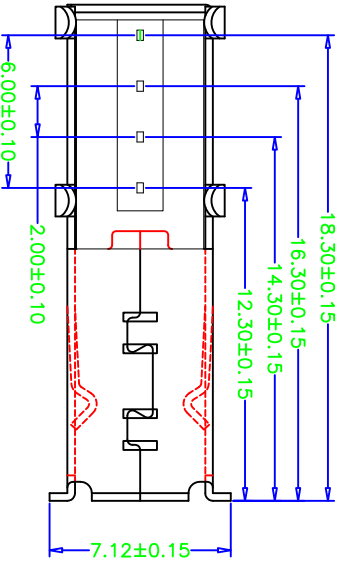
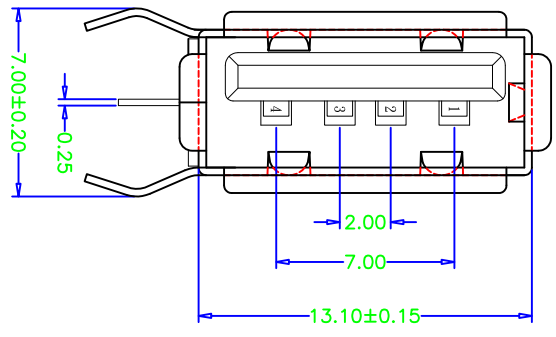
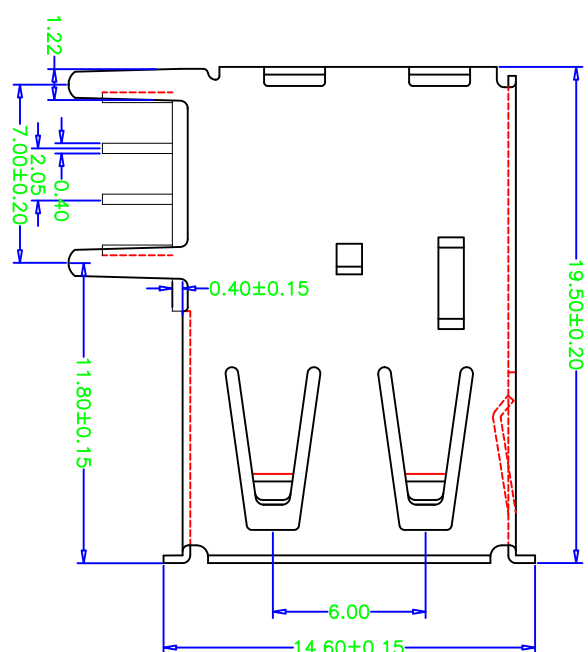
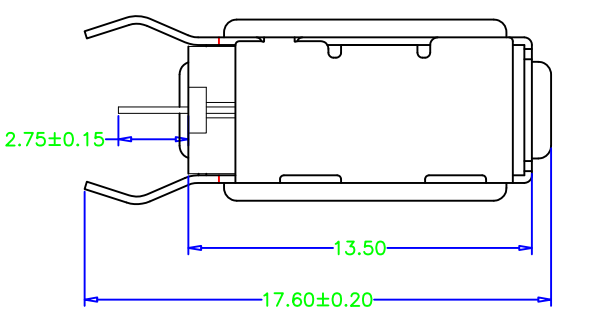


RoHS



RECOMMENDED PCB LAYOUT

MAPX	MODIFICATION	DRW	DATE

- NOTE:
- Material:
 - Housing: Thermoplastics (U94V-0(ROHS HP))
 - Contact: Phosphor Bronze C5191-BH/C2680-EH, T=0.25mm
 - Shell: COPPER ALLOY T=0.30mm
 - FINISH:
 - Contact: 15u" Gold Plated on Contact Area, 80u" Min. Tin Plated on Solder Area, 50u" Min. Nickel Underplating Over All.
 - Shell: 50u" Min. Nickel Underplating Over All.
 - Specification:
 - 3.1: Rating:
 - Rated voltage 500V AC/DC. Rated current: 2 A Max.
 - 3.2: Electrical:
 - Insulation Resistance(EIA-364-21): 1000MΩ Min. at 500V/DC for 1Minute.
 - Contact Resistance(EIA-364-23): 30 mΩ Max. at 20mV Max, 50mA
 - Dielectric Withstanding Voltage(EIA-364-20): No discharge, Flashover or breakdown at 500V/AC 1Minute
 - 4. Plug extraction force shall be between 1.0kgf and 2.00kgf
 - 5. Contact Finish:
 - 01: Selective Gold Flash
 - 02: Selective Gold 3u"
 - 03: Selective Gold 5u"
 - 04: Selective Gold 15u"
 - 05: Selective Gold 30u"

产品图

深圳市精拓金电子有限公司
Shenzhen Jing Tuo Jin Electronics Co., Ltd.

公差一览表		单位	制图	制图料号
0.1	±0.25	mm	许密强	201009090106
0.1	±0.20	mm	审核	郭治富
0.2	±0.15	mm	核准	黄国荣
0.2	±1.0°	mm	日期	2010-09-09
0.2	±0.2°	mm	角法	1:100%
0.2	±0.2°	mm	版本	1.0