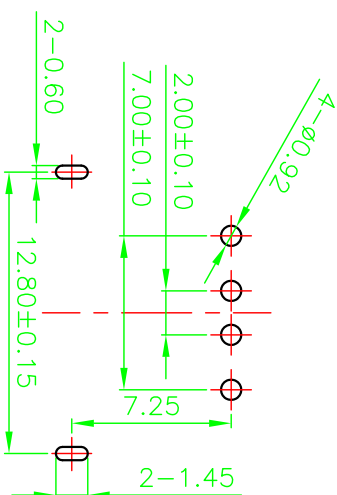
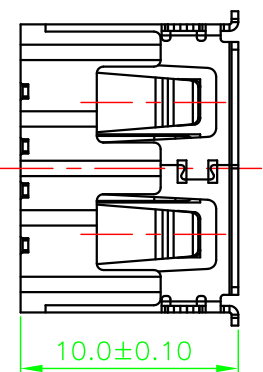
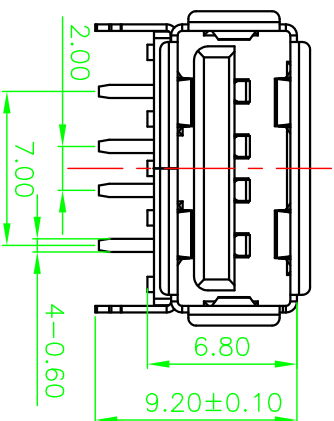
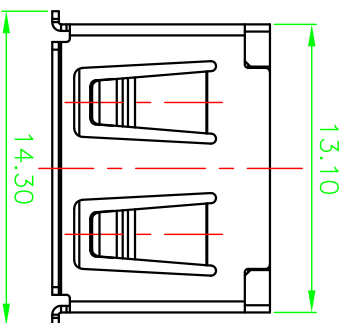
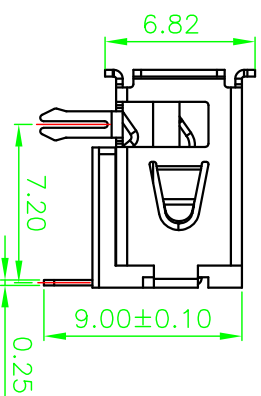


ROHS



FRONT EDGE OF CONNECTOR  
PCB LAYOUT



产品图

PRODUCT CHART DMC

公差一览表

TOLERANCE UNLESS OTHERWISE

X.	±0.35	X.	±5.°
.X	±0.20	.X	±2.°
.XX	±0.10	.XX	±1.°
.XXX	±0.05	.XXX	±0.5°

深圳市精拓金电子有限公司

单位	MM	制图	许榕强	制图料号	
UNIT	MM	DRAWING	许榕强	PRODUCT PART NO.	
比例	1:1	审核	郭治富	产品名称	USB A/F 90° DTP C款 反向 前两脚
SCALE	1:1	CHIEF	郭治富	PRODUCT NO.	右边 H6.5mm
日期	2016-09-09	核准	黄国荣	角法	
DATE	2016-09-09	APPRO	黄国荣	VER	版本
					A0

- Note:
- Material:
    - Housing: High temperature thermoplastic with/black G/F,UL94V-0
    - Contact: copper alloy,t=0.25mm
    - Shell: copper/Ferroalloy alloy,t=0.30mm
  - Specification:
    - Current rating:1.5A Max.
    - Dielectric withstanding voltage: 100 V(ac) for 1 min.
    - Contact resistance: 30 mΩ Max.
    - Insulation resistance: 100 MΩ Min.
    - Total mating force: 3.57 Kgf Max.
    - Total unmating force: 1.0 Kgf Min.
  - Finish:
    - Contact: Plated Gold in Mating Area; Tin On Solder Tails
    - Shell: Nickel Plating
  - Environmental:
    - Temperature range: -55°C~85°C

MAPX

MODIFICATION

DATE