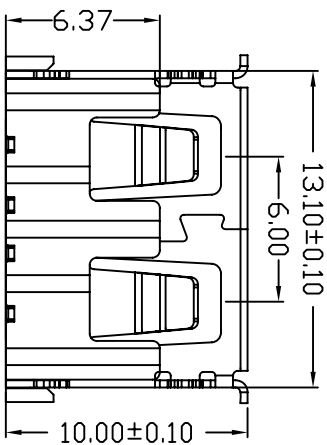
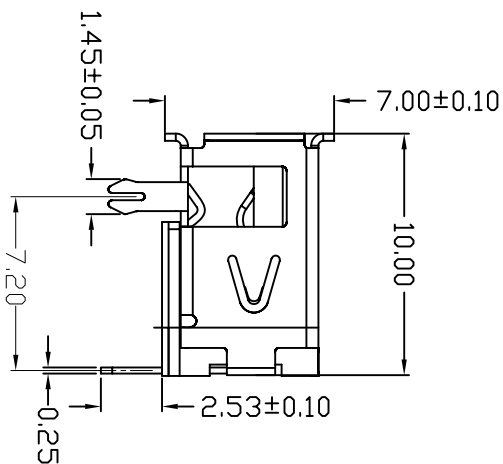
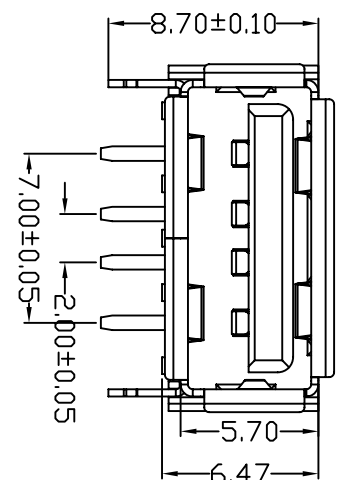
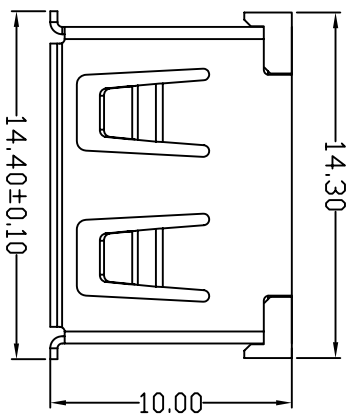


D款, 正向10.0前两脚, DIP-*6.50



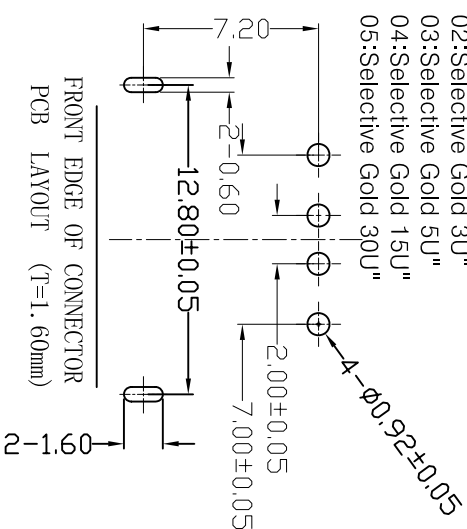
MAPX	MODIFICATION	DATE
------	--------------	------

NOTES:
 1. HOUSING: SEE NOTES, UL94V-0.
 TERMINAL: SEE NOTES.
 SHELL: SEE NOTES.

SPECIFICATION:
 1. ELECTRICAL CHARACTERISTIC:
 CONTACT RESISTANCE: 30MΩ MAX
 DIELECTRIC WITHSTANDING VOLTAGE: 500V AC FOR 1MIN
 INSULATION RESISTANCE: 1000MΩ MIN
 2. MECHANICAL CHARACTERISTIC:
 INSERTION FORCE: 35N(3.57KGF) MAX
 EXTRACTION FORCE: 10~35N(1.02~3.57KGF)/MIN
 DURABILITY: 1500 CYCLES EXTRACTION FORCE: 10~35N
 5000 CYCLES MIN

3. ENVIRONMENTAL:
 OPERATING TEMPERATURE: -55°C+85°C
 4. Contact finish:

- 01: Selective Gold Flash
- 02: Selective Gold 3U"
- 03: Selective Gold 5U"
- 04: Selective Gold 15U"
- 05: Selective Gold 30U"



深圳市精拓金电子有限公司

产品图 PRODUCT CHART DWG		公差一览表 TOLERANCE UNLESS OTHERWISE		单位 UNITS		制图 DRAWING		制图料号 PRODUCT PART NO.	
X	±0.15	X	±5°	MM	M	Z-Y-B	JTJ-USB-10.0-001		
X	±0.10	X	±2°	比例 SCALE	1:1	审核 CHKD	产品名称 PRODUCT NO.	USB A/F 10.0有边前脚鱼叉(方弹)	
XX	±0.05	XX	±1°	日期 DATE	20120924	核准 APRD	角法 VIEW	版本 VER	
XXX	±0.03	XXX	±0.5°					AD	