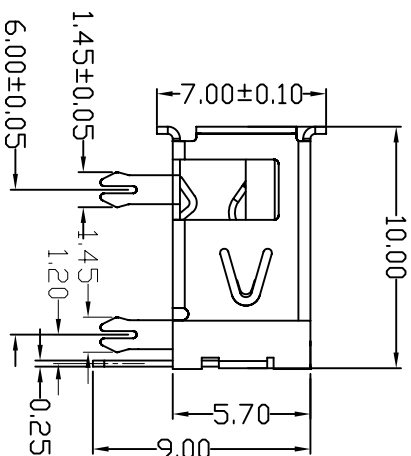
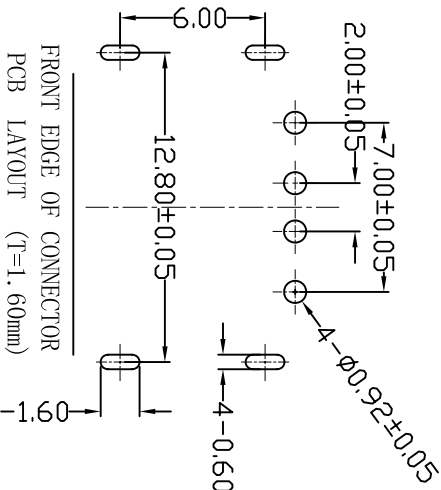
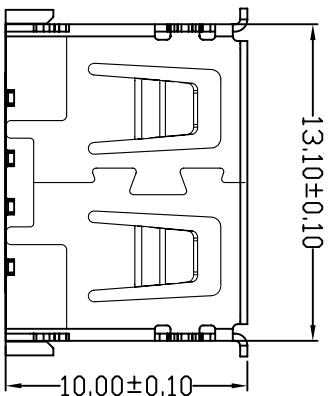
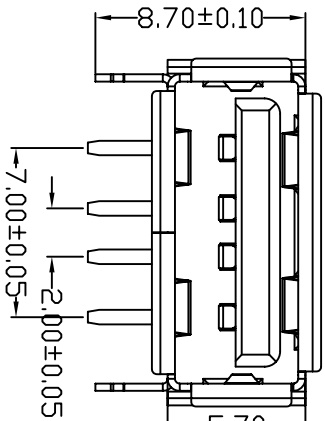
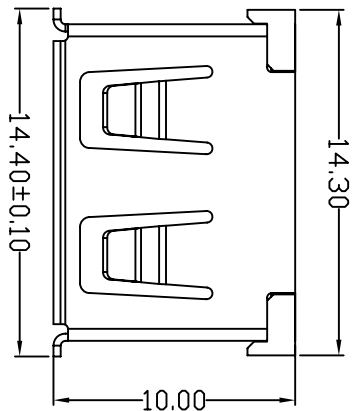


D款, 正向10.0四脚, DIP-*5.70



NOTES:

1. HOUSING: SEE NOTES, UL94V-0 .
 TERMINAL: SEE NOTES.
 SHELL: SEE NOTES.

SPECIFICATION:

- ELECTRICAL CHARACTERISTIC:
 CONTACT RESISTANCE: 30MΩ MAX
 DIELECTRIC WITHSTANDING VOLTAGE: 500V AC FOR 1MIN
 INSULATION RESISTANCE: 1000MΩ MIN
- MECHANICAL CHARACTERISTIC:
 INSERTION FORCE: 35N(3.57KGF) MAX
 EXTRACTION FORCE: 10~35N(1.02~3.57KGF)/MIN
 DURABILITY: 1500 CYCLES EXTRACTION FORCE:10~35N
 5000 CYCLES MIN

3. ENVIRONMENTAL:

OPERATING TEMPERATURE: -55°C+85°C

4. Contact finish:

- Selective Gold Flash
- Selective Gold 3U"
- Selective Gold 5U"
- Selective Gold 15U"
- Selective Gold 30U"

产品图

深圳市精拓金电子有限公司

公差一览表		单位		制图		制图料号	
TOLERANCE UNLESS OTHERWISE	UNITS	MM	DRAWING	Z-Y-B	PRODUCT PART NO.	JTY-1(USB-10.0-003	
X: ±0.25	X	±5°	审核		产品名称	USB A/F 10.0(有边四脚鱼叉(方弹))	
X: ±0.20	X	±2°	CHKD		PRODUCT NO.		
XX: ±0.15	XX	±1°	核准		角法		版本
XXX: ±0.10	XXX	±0.5°	APPD	日期	DATE	20120924	VER

MAPX

MODIFICATION

DATE

