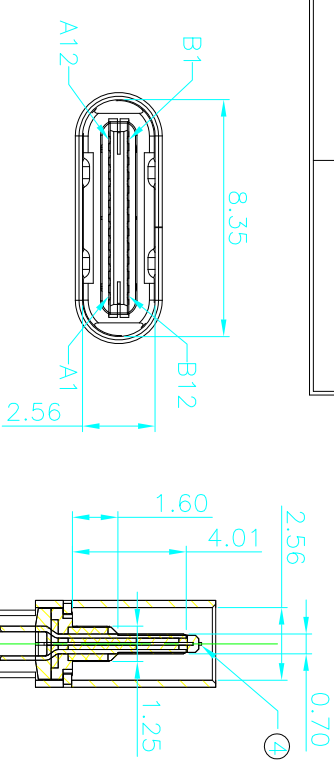
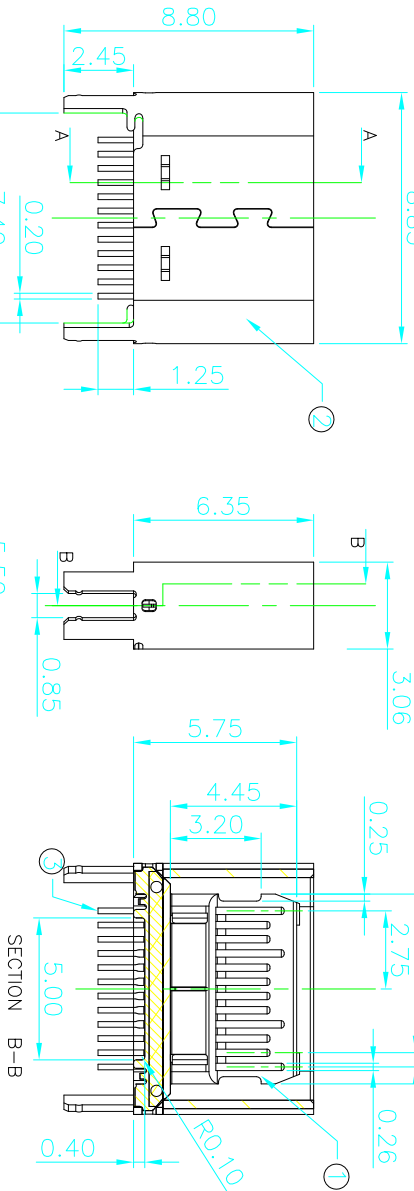
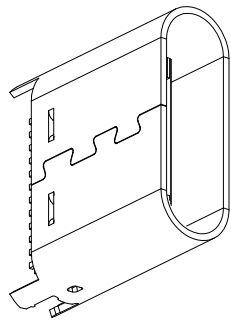


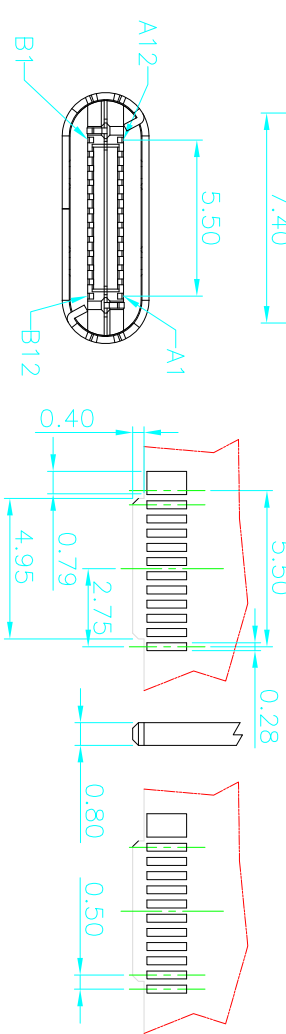
ROHS



SECTION A-A



SECTION B-B



PCB LAYOUT

MAPX	MODIFICATION	DRW	DATE

- NOTES:
- 1-ELECTRICAL CHARACTERISTICS:
- 1-1>Contact current rating: 5.0A for Vbus pin and its corresponding GND pin, 0.25A min for all other contact.
 - 1-2>Contact resistance: 50 Milliohms Max for Vbus and GND contact, 50 Milliohms Max for all other contact.
 - 1-3,Dielectric withstanding voltage:100V AC Min.
 - 1-4,Insulation resistance:100 Megohms Min.
- 2-MECHANICAL CHARACTERISTICS:
- 2-1,Connector insertion force:5~20N, At a maximum rate of 12.5mm per second.
 - 2-2,Connector extraction force:8~20N, At a maximum rate of 12.5mm per second.
 - 2-3,Durability:10000 cycles.
 - 2-4,Operating temperature:-55C~+85C.
- 3.DIMENSIONS ARE IN MILLIMETERS,BRACKETED DIMENSIONS ARE INCHES EQUIVALENTS.
- 4.THE CONNECTOR IS ROHS COMPLIANT AND HALOGEN FREE COMPLIANT.

NO.	DESCRIPTION	QTY.	MATERIAL	TREATMENT
④	EMI LATCH	1	SUS301 T=0.1	NICKEL PLATED OVERALL
③	CONTACT	24	C2680 T=0.15	CONTACT AREA: AU SOLDER AREA:SN 80U" UNDER-PLATING:NI 50U"MIN
②	SHELL	1	SUS304 T=0.25	NICKEL PLATED OVERALL
①	HOUSING	2	LCP UL 94V-0	MOLDED COLOUR:BLACK.

产品图

公差一览表
TOLERANCE UNLESS OTHERWISE SPECIFIED

A1	A2	A3	A4	A5	A6	A7	A8	A9	A10	A11	A12
GND	TX1+	TX1-	Vbus	CC1	D+	D-	SBU1	Vbus	RX2-	RX2+	GND
GND	RX1+	RX1-	Vbus	SBU2	D-	D+	CC2	Vbus	TX2-	TX2+	GND
B12	B11	B10	B9	B8	B7	B6	B5	B4	B3	B2	B1
XXX	XXX	XXX	XXX	XXX	XXX	XXX	XXX	XXX	XXX	XXX	XXX

深州市精拓电子有限公司
Shenzhen Jing Tuo Jin Electronics Co., Ltd.

A1	A2	A3	A4	A5	A6	A7	A8	A9	A10	A11	A12
GND	TX1+	TX1-	Vbus	CC1	D+	D-	SBU1	Vbus	RX2-	RX2+	GND
GND	RX1+	RX1-	Vbus	SBU2	D-	D+	CC2	Vbus	TX2-	TX2+	GND
B12	B11	B10	B9	B8	B7	B6	B5	B4	B3	B2	B1
XXX	XXX	XXX	XXX	XXX	XXX	XXX	XXX	XXX	XXX	XXX	XXX

单位	MM	制图	许榕强	制图料号	USB_C_TYPE_REC_CONN
比例	1:1	审核	郭治富	产品名称	CUSTOMERDRAWING 长款夹板式
日期	2016-09-09	核准	黄国荣	角法	
DATE		APPD		版本	A0