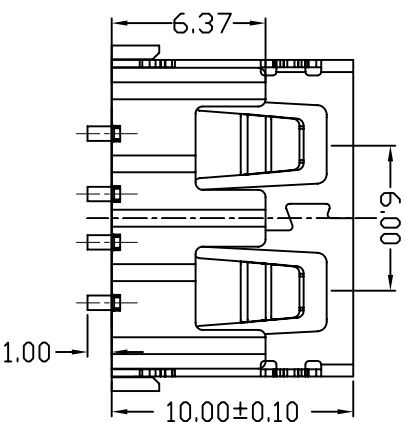
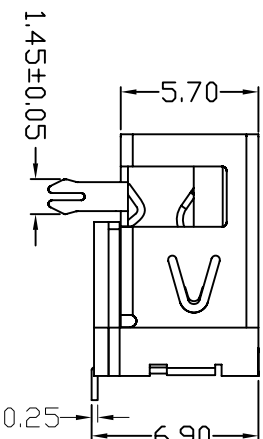
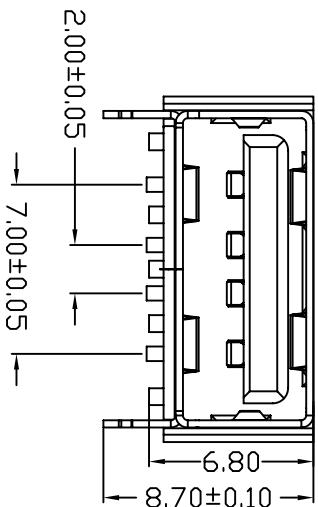
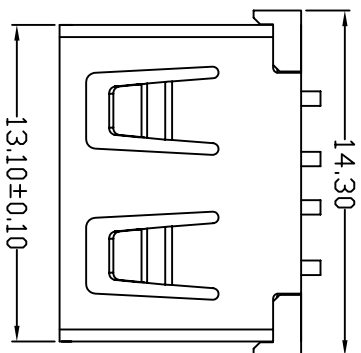


# D款, 正向10.0前两脚, SMT-\*6.80



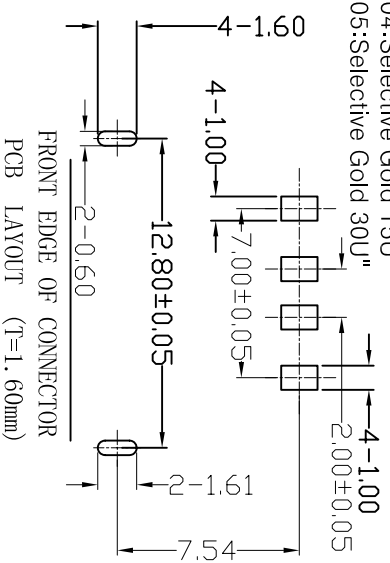
MAPX	MODIFICATION	DATE
------	--------------	------

NOTES:  
 1. HOUSING: SEE NOTES, UL94V-0.  
 TERMINAL: SEE NOTES.  
 SHELL: SEE NOTES.

SPECIFICATION:  
 1. ELECTRICAL CHARACTERISTIC:  
 CONTACT RESISTANCE: 30MΩ MAX  
 DIELECTRIC WITHSTANDING VOLTAGE: 500V AC FOR 1MIN  
 INSULATION RESISTANCE: 1000MΩ MIN  
 2. MECHANICAL CHARACTERISTIC:  
 INSERTION FORCE: 35N(3.57KGF) MAX  
 EXTRACTION FORCE: 10~35N(1.02~3.57KGF)/MIN  
 DURABILITY: 1500 CYCLES EXTRACTION FORCE: 10~35N  
 5000 CYCLES MIN

3. ENVIRONMENTAL:  
 OPERATING TEMPERATURE: -55°C+85°C

4. Contact finish:  
 01: Selective Gold Flash  
 02: Selective Gold 3U"  
 03: Selective Gold 5U"  
 04: Selective Gold 15U"  
 05: Selective Gold 30U"



产品图  
PRODUCT CHART DWG

公差一览表  
TOLERANCE UNLESS OTHERWISE

X	±0.15	X	±5°	单位	MM	制图	Z-Y-B	制图料号	JTJ-1(USB-10.0-002
X	±0.10	X	±2°	比例	1:1	审核		产品名称	USB A/F 10.0无选前两脚鱼叉(万弹)
XX	±0.05	XX	±1°	日期	20120924	核准		PRODUCT NO	
XXX	±0.03	XXX	±0.5°	DATE		APRD		角法	版本
								VIEW	VER
									AD

深圳市精拓金电子有限公司