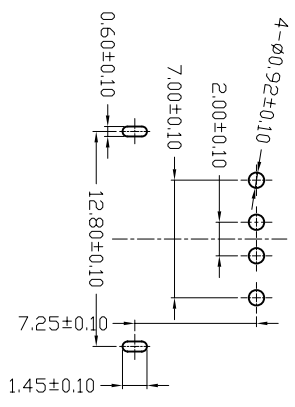


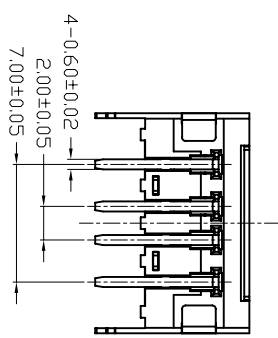
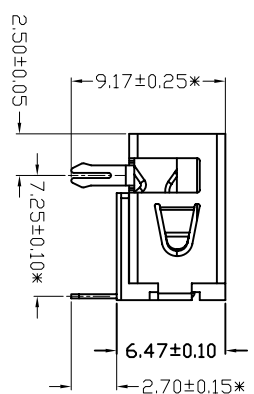
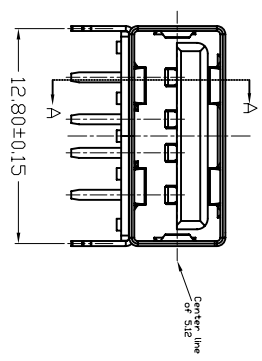
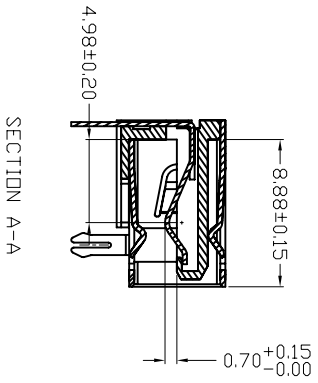
MAPX	MODIFICATION	DATE
------	--------------	------

NOTES:
 1. HOUSING: SEE NOTES,
 TERMINAL: SEE NOTES,
 SHELL: SEE NOTES.



FRONT EDGE OF CONNECTOR
PCB LAYOUT

SPECIFICATION:
 1. ELECTRICAL CHARACTERISTIC:
 CONTACT RESISTANCE: 30MΩ MAX
 DIELECTRIC WITHSTANDING VOLTAGE: 500V AC FOR 1MIN
 INSULATION RESISTANCE: 1000MΩ MIN
 2. MECHANICAL CHARACTERISTIC:
 INSERTION FORCE: 35N(3.57KG) MAX
 EXTRACTION FORCE: 10.35N(1.02*3.57KG) MIN
 DURABILITY: 1500 CYCLES EXTRACTION FORCE: 10*35N
 3000 CYCLES MIN
 5000 CYCLES EXTRACTION FORCE: 3*35N
 3. ENVIRONMENTAL:
 OPERATING TEMPERATURE: -55°C~+85°C
 4. CONTACT FINISH:
 01: Selective Gold Flash
 02: Selective Gold 3U"
 03: Selective Gold 5U"
 04: Selective Gold 15U"
 05: Selective Gold 30U"



产品图		深圳市精拓金电子有限公司	
PRODUCT CHART DWG		公参一览表	
TOLERANCE	公差	UNIT	单位
±0.25	±0.25	MM	MM
±0.20	±0.20	SCALE	1:1
±0.15	±0.15	DATE	2012.06.15
±0.10	±0.10	核校	APPD
		制图	Z-Y-B
		审核	制图料号
		日期	JTJ-USB AF 10.0-C-005
		比例	产品名称
		日期	USB A/F DIP 90° (10.0)无卷边
		日期	角法
		日期	版本
		日期	AD

