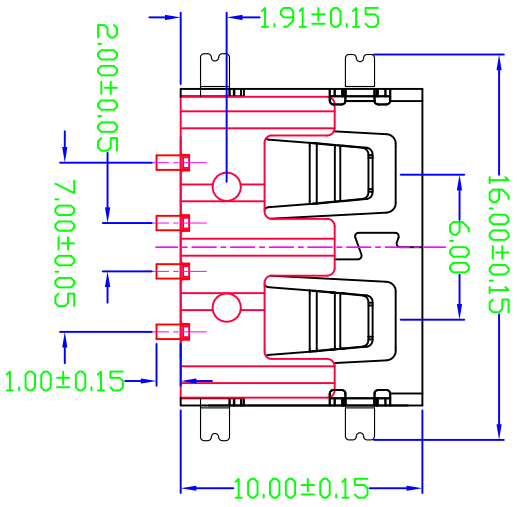
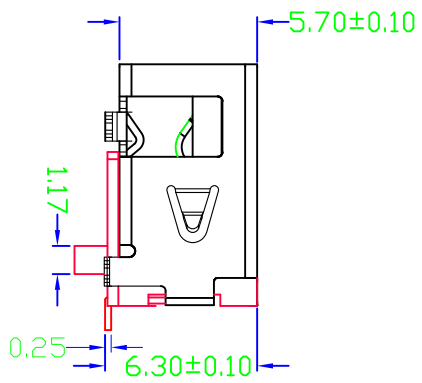
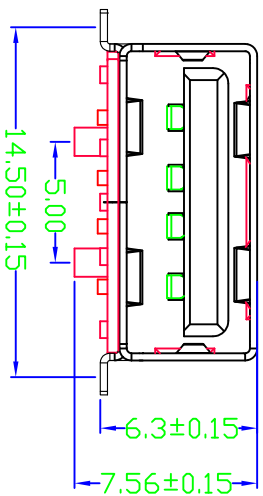
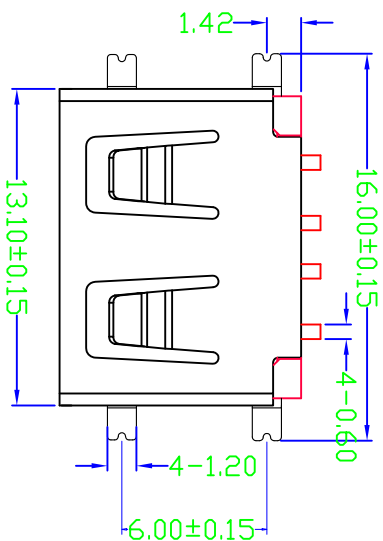


反向10.0全贴/6.30

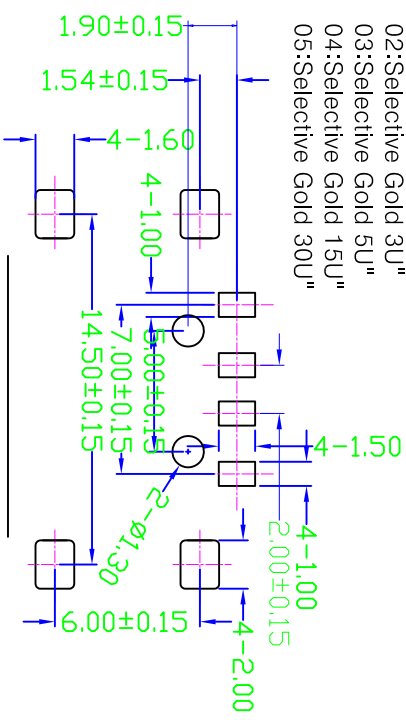


MAPX	MODIFICATION	DATE
------	--------------	------

NOTES:
 1. HOUSING: SEE NOTES, UL94V-0 .
 TERMINAL: SEE NOTES.
 SHELL: SEE NOTES.
 SPECIFICATION:

1. ELECTRICAL CHARACTERISTIC:
 CONTACT RESISTANCE: 30MΩ MAX
 DIELECTRIC WITHSTANDING VOLTAGE: 500V AC FOR 1MIN
 INSULATION RESISTANCE: 1000MΩ MIN
 2. MECHANICAL CHARACTERISTIC:
 INSERTION FORCE: 35N(3.57KGF) MAX
 EXTRACTION FORCE: 10~35N(1.02~3.57KGF)/MIN
 DURABILITY: 1500 CYCLES EXTRACTION FORCE:10~35N
 5000 CYCLES MIN

3. ENVIRONMENTAL:
 OPERATING TEMPERATURE: -55°C+85°C
 4. Contact finish:
 01: Selective Gold Flash
 02: Selective Gold 3U"
 03: Selective Gold 5U"
 04: Selective Gold 15U"
 05: Selective Gold 30U"



FRONT EDGE OF CONNECTOR
 PCB LAYOUT

深圳市精拓金电子有限公司

产品图 PRODUCT CHART DWG		公差一览表 TOLERANCE UNLESS OTHERWISE	
X	±0.25	X	±5°
X	±0.20	X	±2°
XX	±0.15	XX	±1°
XXX	±0.10	XXX	±0.5°

单位 UNITS	MM	制图 DRAWING	Z-Y-B	制料号 PRODUCT PART NO	JTY-1(SB)-10.0/SMT-002
比例 SCALE	1:1	审核 CHKD		产品名称 PRODUCT NO	N/P 10.0无边全贴6.3(方排)
日期 DATE	2015/04/24	核准 APRD		角法 VIEW	
				版本 VER	AD